

## ASSEMBLING & INSTALLATION INSTRUCTIONS

The drawing shown may not exactly match the product enclosed. However, the installation instructions do apply to this product.

- ◆ **WARNING! SHUT POWER OFF AT FUSE OR CIRCUIT BREAKER.**
- ◆ **ATTENTION! COUPER LE COURANT AU FUSIBLE OU UN DISJONCTEUR.**

### ASSEMBLING THE FIXTURE (Fig.1).

1. Shut off the power at the circuit breaker and remove old fixture from ceiling, including the old single bar.
2. Carefully unpack new fixture and lay all the parts on a clear surface.
3. Attach the mounting plate (A) to the junction box using screws (B). The side of the mounting plate marked "GND" must face out.  
**The junction box is not included.**
4. Attach the fixture body (C) over the mounting plate (A), aligning the 2 holes on the fixture body (C) with the 2 threaded holes on the mounting plate (A). Insert the fixture body screws (D) and tighten the fixture body (C).
5. Install the light bulbs (Not included) in accordance with the fixture specifications. **NOTE: DO NOT EXCEED THE SPECIFIED WATTAGE!**

### CONNECTING THE WIRES (Fig.2)

1. Take the black wire from the junction box and the black wire from the fixture and twist bare ends together. Twist wire connector onto end of wire until snug.
2. Repeat same process with white junction box wire and white wire of fixture wire. NOTE: Twist wires together in the same direction you twist the wire connector onto wires.
3. If your junction box has a grounding wire (green or bare copper), attach this wire and the bare copper wire from the fixture together as **step 1**. If junction box has no ground wire, attach the bare copper fixture wire to the green ground screw on the mounting plate.
4. Tuck these wire connections neatly into the wall junction box and then raise the fixture back plat all the way to the wall.

**Your installation is now complete. Return power to the junction box and test the fixture.**

FIG.1

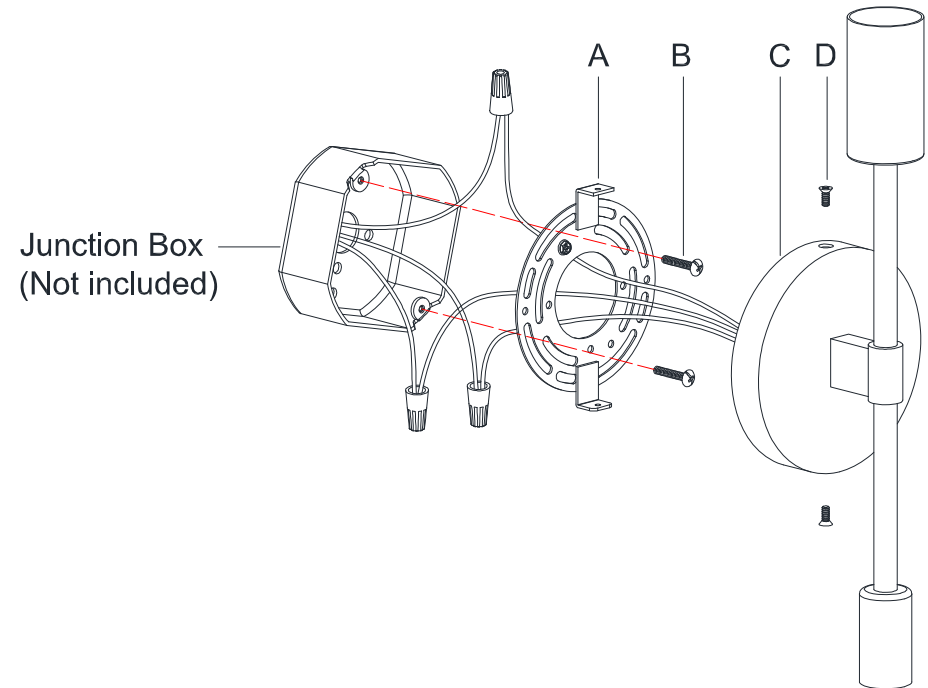


FIG.2

