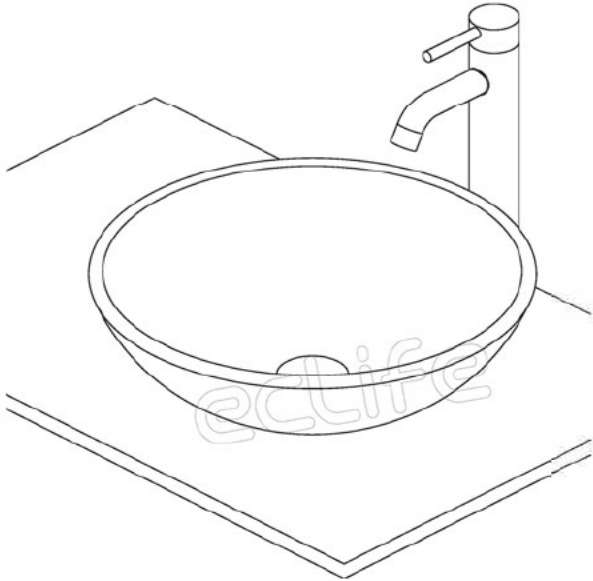


## STEP 6

Check the position and stability of the vessel and faucet. Open the faucet valves, and check for leakage.



## CARE AND CLEANING

To keep your vessel looking new, make sure you rinse it out thoroughly after each use. **DO NOT USE ABRASIVES** on this product, as they will scratch and ruin the surface. Stubborn stains, paint, or tar can be removed with turpentine or paint thinner.

The eclife logo features a stylized house icon to the left of the brand name 'eclife' in a lowercase, sans-serif font.

FEEDBACK ★★★★★

Thank you very much for purchasing from us.

We focus on the cost-effective products and good shopping experience for our customers. Your suggestion on our products will be greatly appreciated.

Additionally, we sincerely hope you will be satisfied with our product and leave us positive feedback or review in our page.

If you have any questions or problems about our product, please contact us at any time so as to clear up your discontent and resolve the problem.

Many thanks and hope you enjoy shopping with us!

**Contact number:** 646-2230128  
**E-mail:** support@ec-export.com

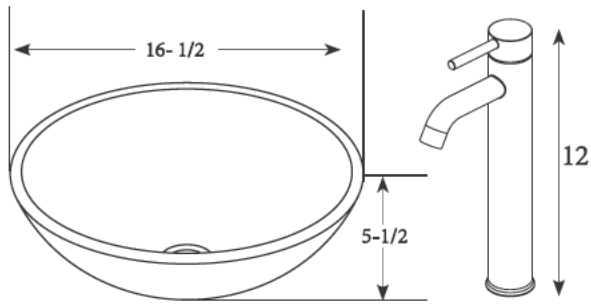


NO.16010



## DIMENSIONS

Unit:inch



## YOU MAY NEED (NOT SUPPLIED)



## PARTS LIST

### PARTS LIST

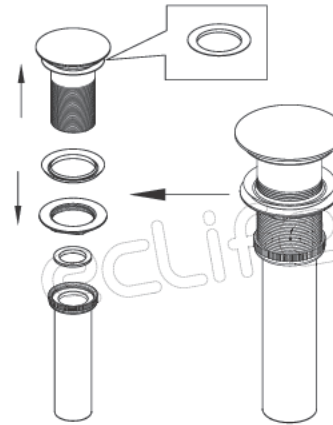
|    |    |    |    |    |    |
|----|----|----|----|----|----|
| A  |    | C  |    | D  |    |
|    |    |    |    |    |    |
|    |    | x1 |    | x1 |    |
| B  | B1 | E  | F  | G  | H  |
|    |    |    |    |    |    |
| x1 |    | x1 | x1 | x1 | x1 |

**CAUTION:** Please confirm the part list before installation

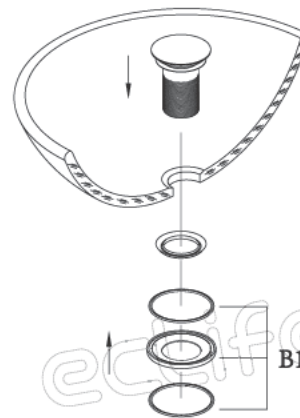
## INSTALLATION

### STEP 1

Take apart the pop up drain and put the thin rubber washer at the top of body.



### STEP 2

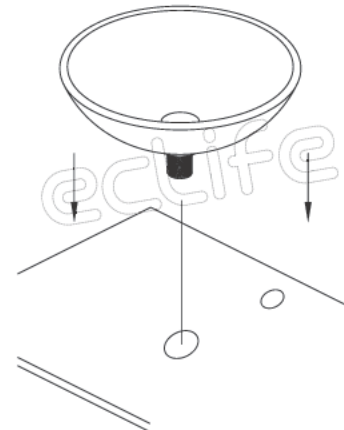


Insert the drain top into the vessel. Install thick rubber washer, 2 O-rings and mounting ring in turn.

**Note:** Installation sequence of O-rings refer to the illustrations.

### STEP 3

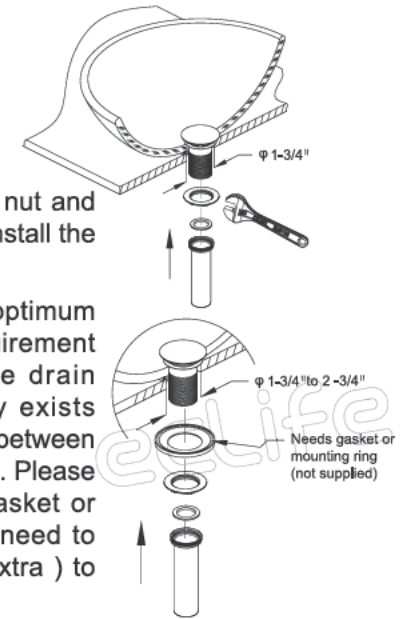
Carefully position the vessel with drain top on the tabletop and adjust the assembly parts in good position.



### STEP 4

Install the drain nut and tighten it, then install the tall piece.

**Caution:** The optimum drain hole requirement is 1-3/4". If the drain hole is already exists and the size is between 1-3/4" and 2-3/4". Please use an extra gasket or mounting ring (need to be ordered in extra ) to fix it.



### STEP 5

Position the gasket under the faucet. Connect the hot and cold water pipes to the faucet. Insert the faucet into the hole. Install the rubber gasket, then the metal gasket, then the fixing bolts. Tighten the fixing bolts

