

INSTRUCTION MANUAL ENCLOSED

ATTENTION

**IF YOU HAVE ANY PROBLEMS OR QUESTIONS, EMAIL OR CALL
CUSTOMER SERVICE BEFORE YOU RETURN THIS PRODUCT TO THE
STORE WHERE IT WAS PURCHASED.**

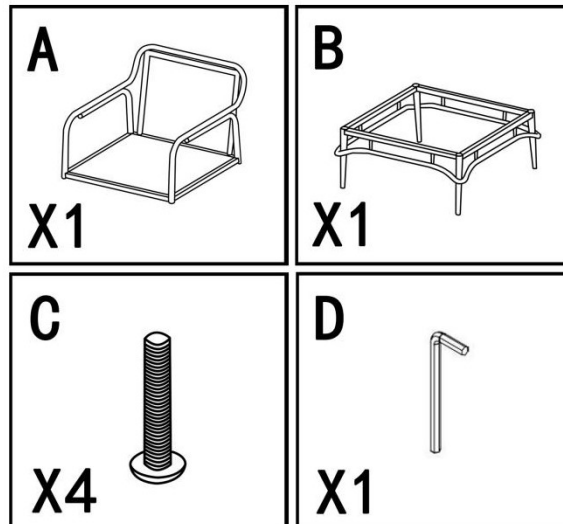
INSTRUCTION MANUAL ENCLOSED

CLUB CHAIR

CLUB CHAIR ASSEMBLY INSTRUCTION



Part	PARTS LIST Description	Quantity
	<i>PARTS</i>	
A	Top Frame	1
B	Under Frame	1
	<i>HARDWARE</i>	
C	Bolts(M6*35MM)	4
D	Allen Key	1



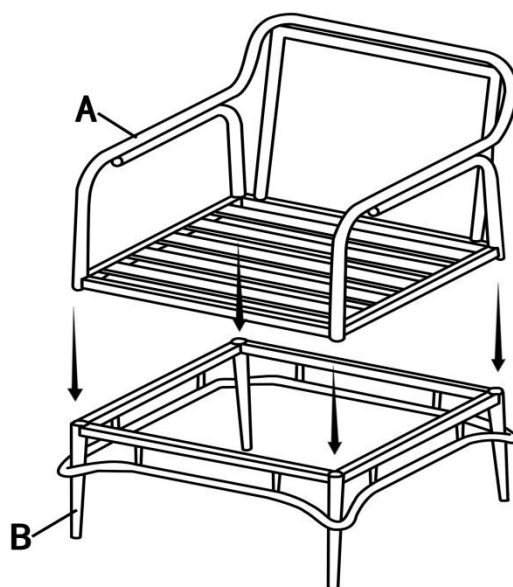
For Customer Service:

PLEASE READ AND FOLLOW ALL SAFETY TIPS

1. The plastic covers on some metal parts are just for product protection. Please remove it before assembly.
2. Please follow the sequence of AI during assembly.
3. Do not tighten the screws until all of them are in right positions.

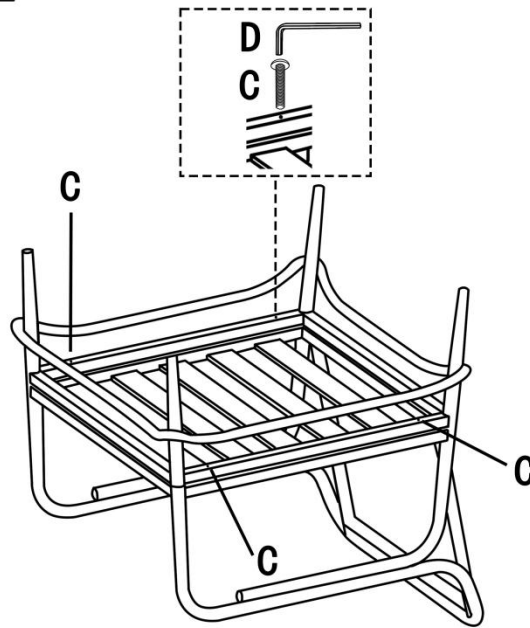
1. Locate Top Frame(A) to the Under Frame(B) by the pre-drilled Threads. (Photo 1)

STEP1



2. Turn over the Chair frame carefully, Use Allen Key(D) to fasten Bolts(C), Then turn over the Chair to the upright position carefully.

STEP2



3. Follow the same instruction for the other Club chairs.

Till now you have finished the whole assembly and enjoy your club chairs.

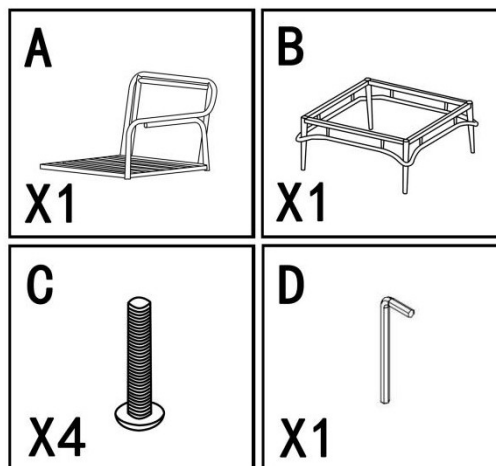
INSTRUCTION MANUAL ENCLOSED

ARM CHAIR

ARM CHAIR ASSEMBLY INSTRUCTION



Part	PARTS LIST Description	Quantity
	<i>PARTS</i>	
A	Top Frame	1
B	Under Frame	1
	<i>HARDWARE</i>	
C	Bolts(M6*35MM)	4
D	Allen Key	1



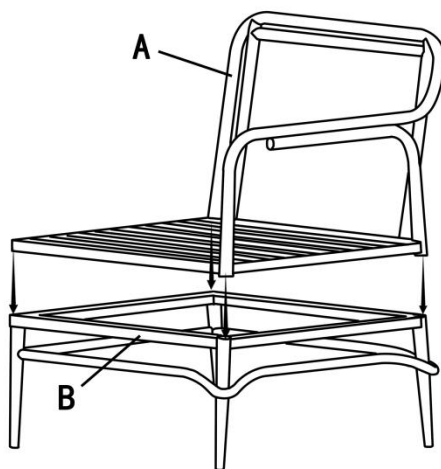
For Customer Service:

PLEASE READ AND FOLLOW ALL SAFETY TIPS

1. The plastic covers on some metal parts are just for product protection. Please remove it before assembly.
2. Please follow the sequence of AI during assembly.
3. Do not tighten the screws until all of them are in right positions.

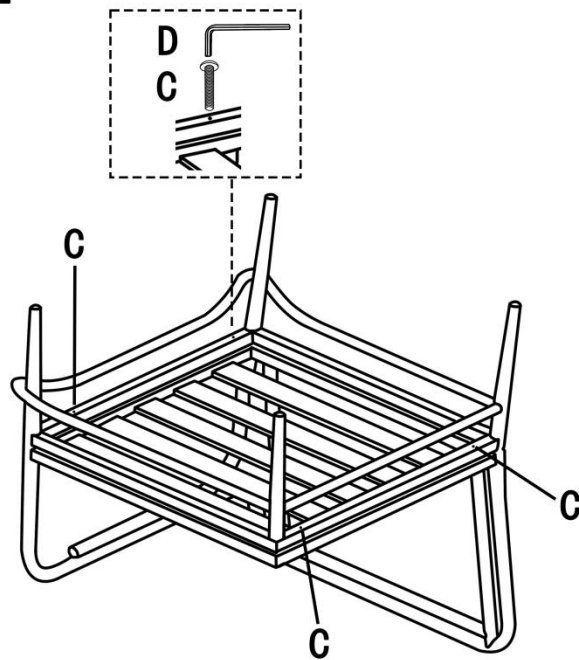
1. Locate Top Frame(A) to the Under Frame(B) by the pre-drilled Threads. (Photo 1)

STEP1



2. Turn over the Chair frame carefully, Use Allen Key(D) to fasten Bolts(C), Then turn over the Chair to the upright position carefully.

STEP2



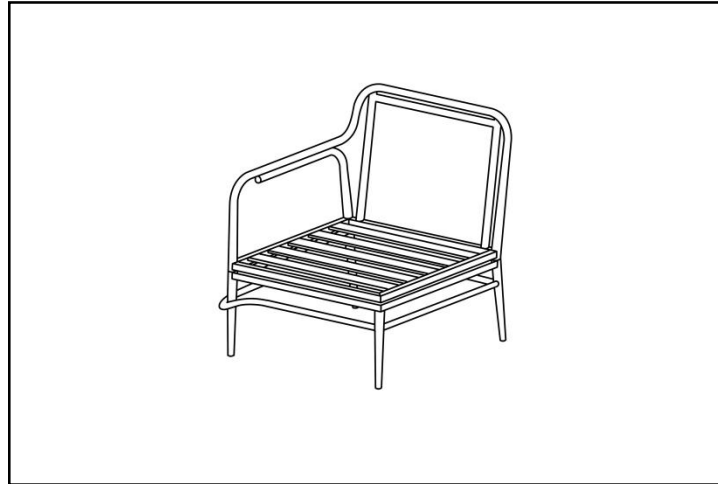
3. Follow the same instruction for the other arm chairs.

Till now you have finished the whole assembly and enjoy your arm chairs.

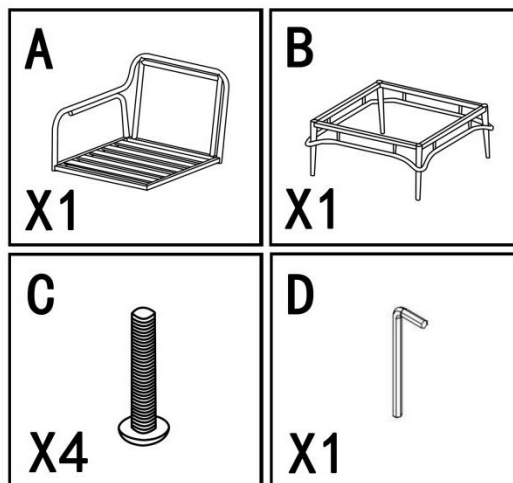
INSTRUCTION MANUAL ENCLOSED

ARM CHAIR

ARM CHAIR ASSEMBLY INSTRUCTION



Part	PARTS LIST Description	Quantity
	<i>PARTS</i>	
A	Top Frame	1
B	Under Frame	1
	<i>HARDWARE</i>	
C	Bolts(M6*35MM)	4
D	Allen Key	1



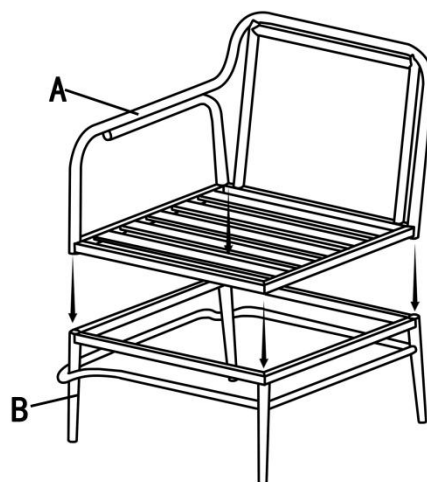
For Customer Service:

PLEASE READ AND FOLLOW ALL SAFETY TIPS

1. The plastic covers on some metal parts are just for product protection. Please remove it before assembly.
2. Please follow the sequence of AI during assembly.
3. Do not tighten the screws until all of them are in right positions.

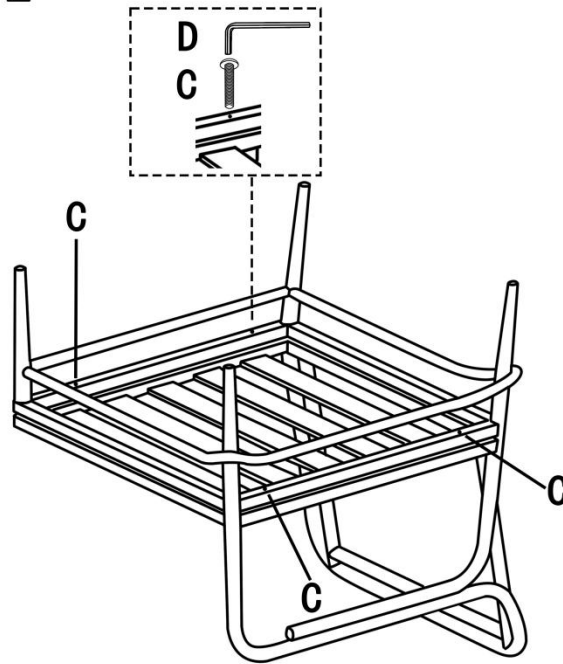
1. Locate Top Frame(A) to the Under Frame(B) by the pre-drilled Threads. (Photo 1)

STEP1



2. Turn over the Chair frame carefully, Use Allen Key(D) to fasten Bolts(C), Then turn over the Chair to the upright position carefully.

STEP2



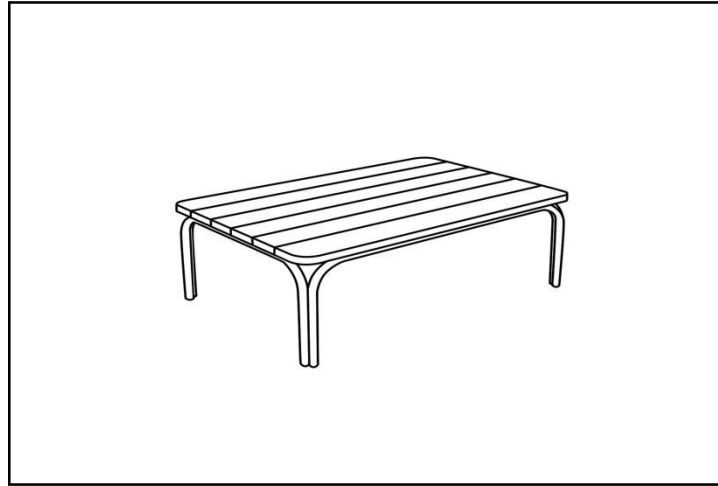
3. Follow the same instruction for the other arm chairs.

Till now you have finished the whole assembly and enjoy your arm chairs.

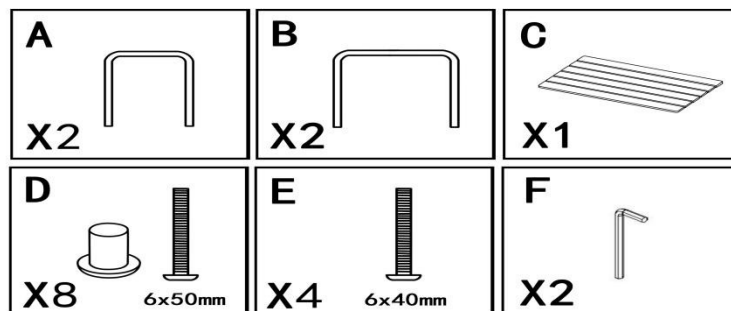
INSTRUCTION MANUAL ENCLOSED

OUTDOOR DINNING TABLE

OUTDOOR DINNING TABLE ASSEMBLY INSTRUCTION



Part	PARTS LIST Description	Quantity
<i>PARTS</i>		
A	Table Feet	2
B	Table Feet	2
C	Table Top	1
<i>HARDWARE</i>		
D	Bolts(6X50mm)	8
E	Bolts(6X40mm)	4
F	Allen Key	2



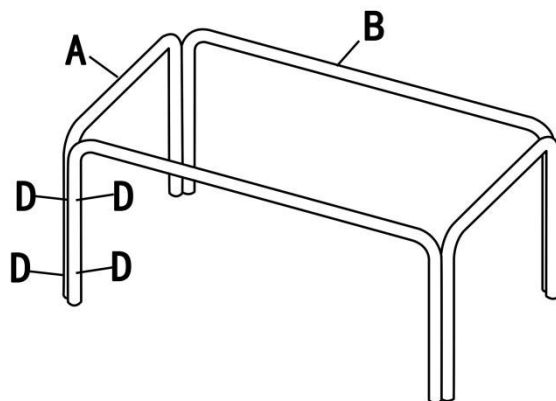
For Customer Service:

PLEASE READ AND FOLLOW ALL SAFETY TIPS

1. The plastic covers on some metal parts are just for product protection. Please remove it before assembly.
2. Please follow the sequence of AI during assembly.
3. Do not tighten the screws until all of them are in right positions.

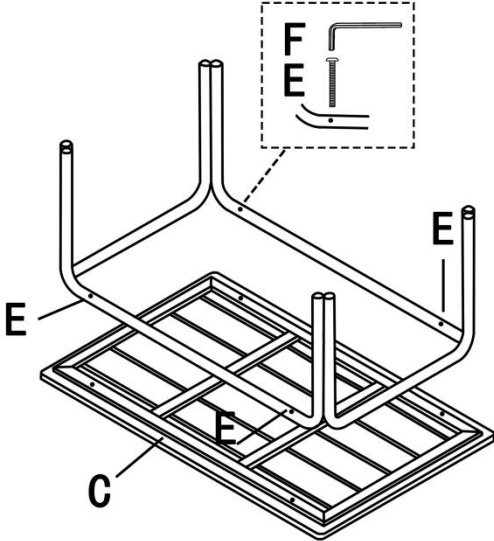
1.Position each Table Foot(B) to the Table Foot(A) by the pre-drilled threads. Use two Allen Key(F) to secured and fasten Bolts(D). Each foot should have 2 bolts fastened, total have 8 bolts fastened.(Photo 1)

STEP1



2.Put the Feet frame to the Table Top carefully,Use Allen Key(E) to fasten Bolts(D),Then turn over the Table to the upright position carefully. (photo 2)

STEP2



You have completed assembling the furniture – enjoy!