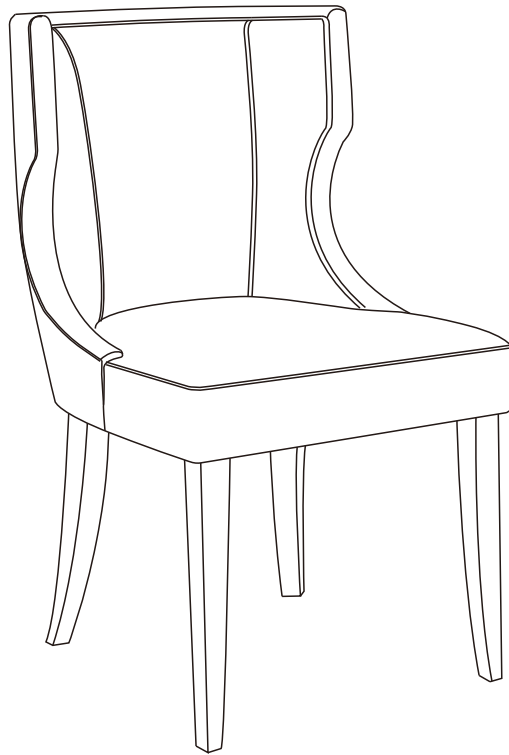
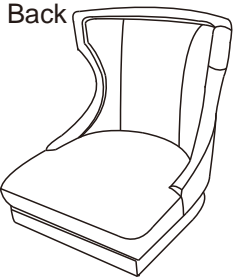

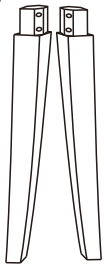
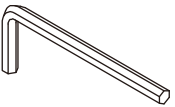

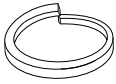
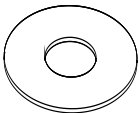


Assembly Manual



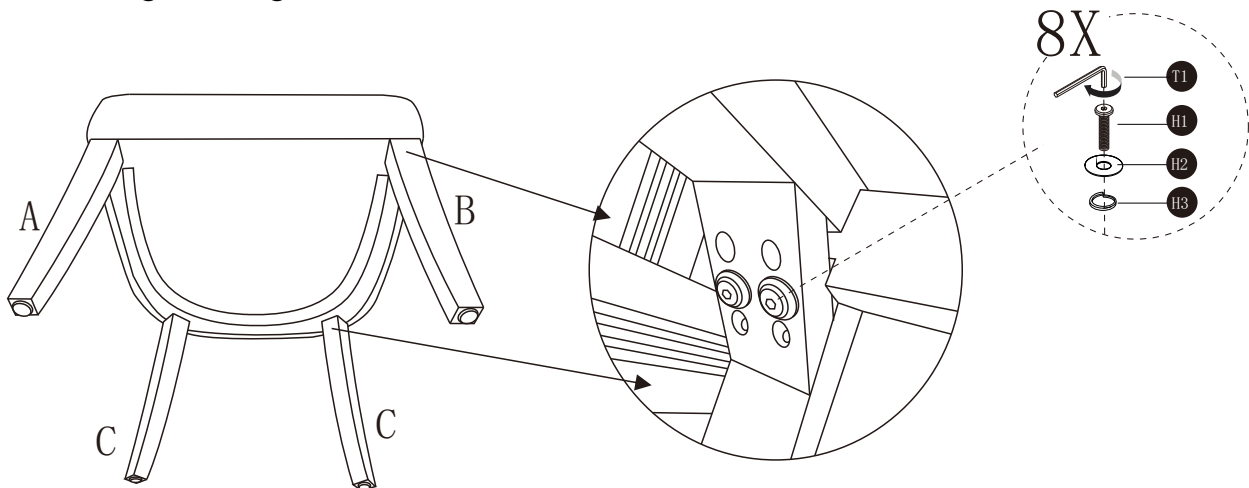
CAUTION

THIS ASSEMBLY MANUAL CONTAINS IMPORTANT SAFETY INFORMATION.
PLEASE READ AND KEEP FOR FUTURE REFERENCE.

<p>Chair Back x1</p> 	<p>Front legs A/B</p> 	<p>Rear legs Cx2</p> 	<p>T1x1</p> 
<p>H1x8</p> 	<p>H2x8</p> 	<p>H3x8</p> 	

ASSEMBLY INSTRUCTIONS

- 1** Lay the chair back upside down on a soft, flat surface to avoid scratches.
- 2** Take out Legs A/B and C from pocket at the chair bottom. Attach front leg A and B to the front left and right corners of the seat base, and rear legs C to the back left and right corners.
- 3** Use the provided hardware to secure each leg: insert one bolt (T1) through a flat washer (T2) and a spring washer (T3), then tighten it into the pre-drilled holes using the Allen key (T4). Repeat this process for all four legs, using a total of 8 sets of hardware.



- 4** Assembly complete. Enjoy.

