

# Heavy Duty TV Floor Stand

STAND-TV100F

Assembly Manual

---



# WARNING



If you do not understand these directions, or if you have any doubts about the safety of the installation, please contact our product support team at 309-278-5303 or [help@vivo-us.com](mailto:help@vivo-us.com) for further assistance. Check carefully to make sure there are no missing or defective parts. Failure to report missing parts within 30 days may result in denial of free replacement. Improper installation may cause damage or serious injury. Do not use this product for any purpose that is not explicitly specified in this manual. Do not exceed weight capacity. We cannot be liable for damage or injury caused by improper mounting, incorrect assembly or inappropriate use.



## WARNING: CHOKING HAZARD

SMALL PARTS - NOT FOR CHILDREN UNDER 3 YEARS. ADULT SUPERVISION IS REQUIRED.



## DO NOT EXCEED WEIGHT CAPACITY

FAILURE TO DO SO MAY RESULT IN SERIOUS INJURY.



## TIPOVER WARNING

**SERIOUS OR FATAL CRUSHING INJURIES CAN OCCUR FROM TIPOVER.**

### TO HELP PREVENT TIPOVER:

- NEVER ALLOW CHILDREN TO CLIMB, STAND, HANG, OR PLAY ON ANY PART OF TV STAND
- USE TIPOVER RESTRAINT OR ANCHOR STAND TO WALL.

**NOTE: USE OF TIPOVER RESTRAINTS MAY ONLY REDUCE, BUT NOT ELIMINATE RISK OF TIPOVER.**

## Need Help? We're Here For You

*US-Based Customer Support from Trained Professionals*

**Monday-Friday from 7am-7pm CST**

**Saturday 8am-4pm CST**



### Email Us

[help@vivo-us.com](mailto:help@vivo-us.com)



### Chat with Live Agent

[www.vivo-us.com](http://www.vivo-us.com)



### Give Us a Call

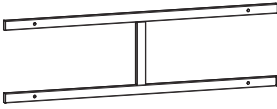
309-278-5303 ext. 1



Assembly Video & Product Info

[www.vivo-us.com/products/stand-v100f](http://www.vivo-us.com/products/stand-v100f)

# Package Contents



**A (x1)**  
Mounting Bracket



**B (x2)**  
Lower Column



**C (x2)**  
Upper Column



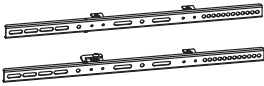
**D (x1)**  
Crossbar



**E (x1)**  
Shelf Support



**F (x2)**  
Feet



**G (x1)**  
VESA Bracket  
Set



**H (x1)**  
Shelf

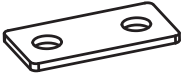


**I (x2)**  
Lower Column  
Support



**J (x4)**  
Foot Pad

# Included Hardware & Tools



**S-A** (x2)  
Rectangular  
Plate



**S-B** (x4)  
M8 Spring  
Washer



**S-C** (x14)  
M8x10mm  
Screw



**S-D** (x3)  
M6x45mm  
Screw



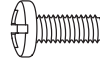
**S-E** (x12)  
M8x50mm  
Screw



**S-F** (x4)  
M8x75mm  
Screw



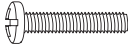
**S-G** (x4)  
M8 Nut



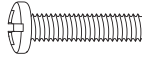
**M-A** (x4)  
M6x14mm  
Screw



**M-B** (x4)  
M8x16mm  
Screw



**M-C** (x4)  
M6x30mm  
Screw



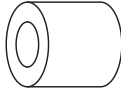
**M-D** (x4)  
M8x35mm  
Screw



**M-E** (x4)  
M8 Washer



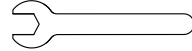
**M-F** (x4)  
Small Spacer



**M-G** (x4)  
Large Spacer



**T-A** (x1)  
5mm Allen  
Wrench



**T-B** (x1)  
Wrench

## Tools Needed:



**Phillips  
Screwdriver**

## Weight Capacity:



**TV**

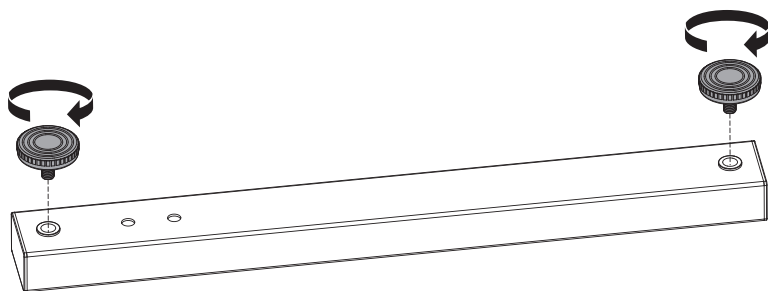
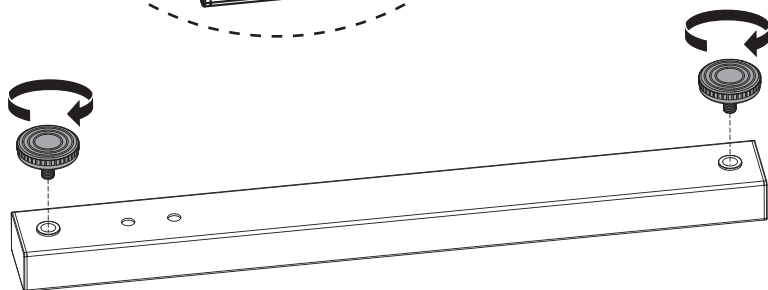
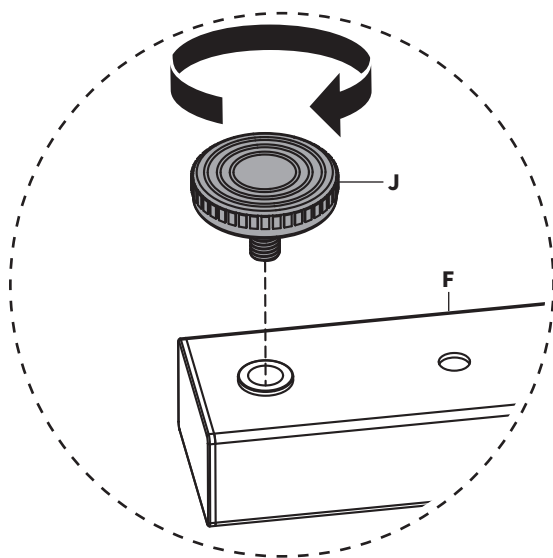


**Shelf**

# Assembly Steps

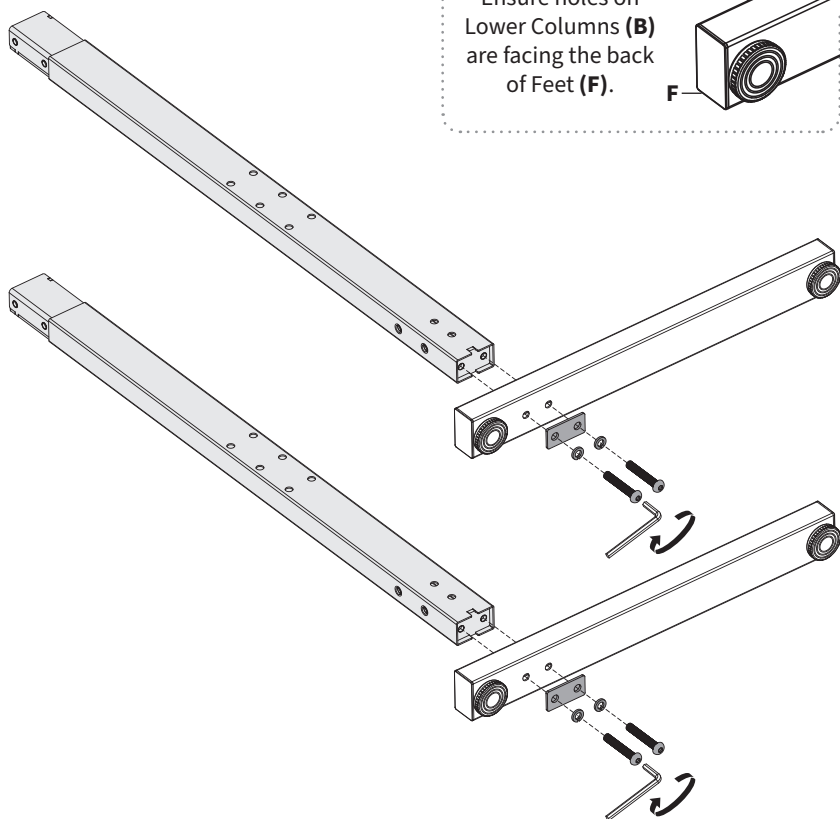
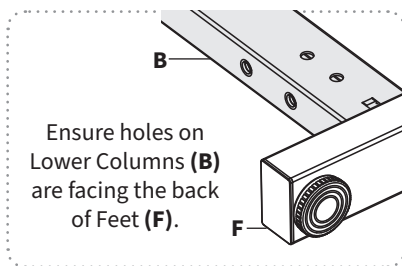
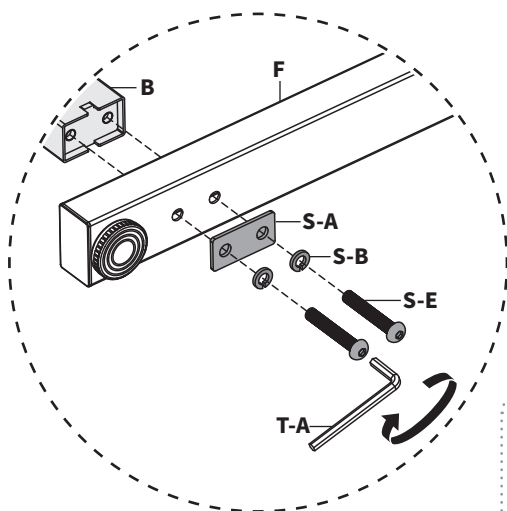
## STEP 1

Thread the Foot Pads (**J**) into the Feet (**F**).



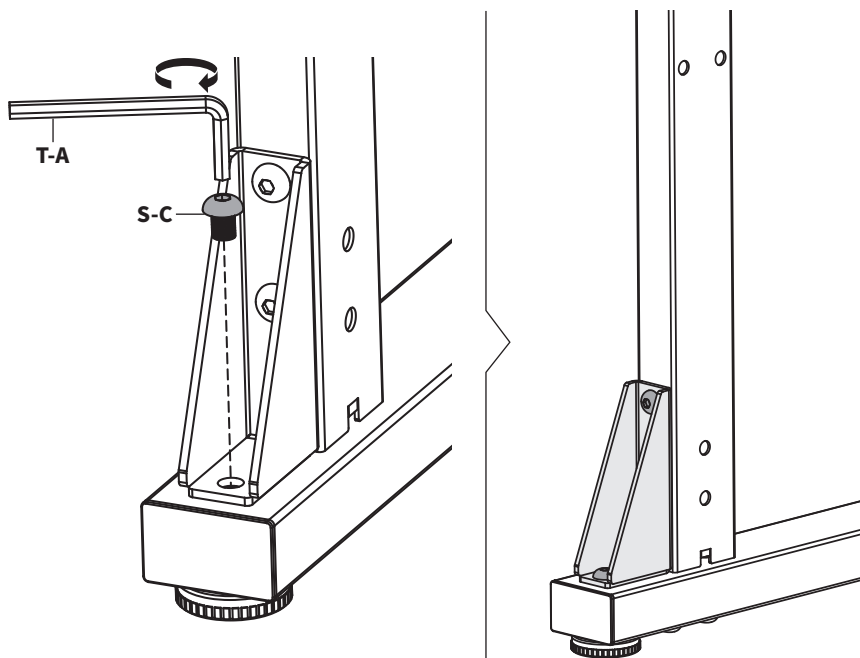
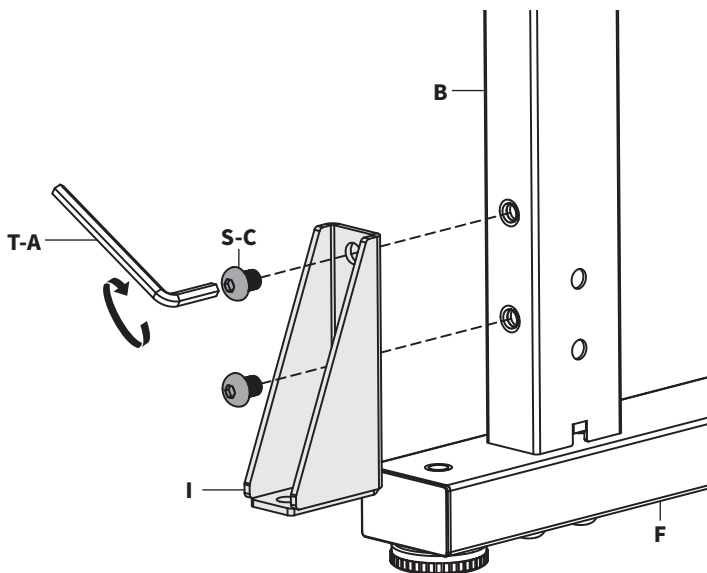
## STEP 2

Attach Lower Columns (**B**) to Feet (**F**) using M8x50mm Screws (**S-E**), M8 Spring Washers (**S-B**) and Rectangular Plates (**S-A**). Secure using 5mm Allen Wrench (**T-A**).



### STEP 3

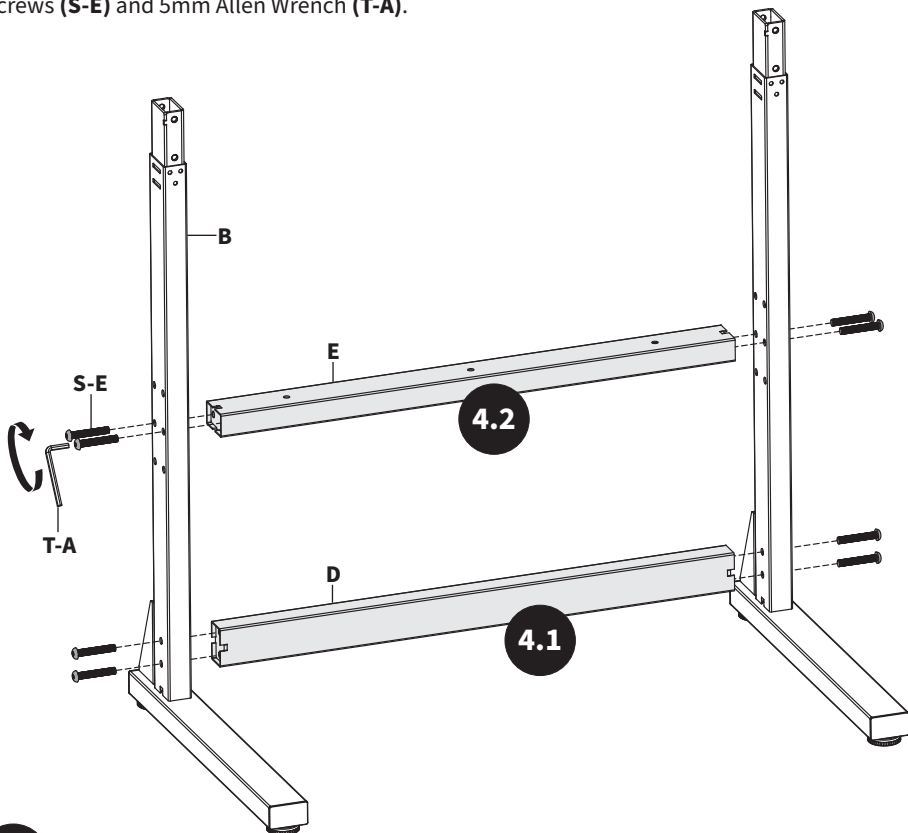
Attach the Lower Column Supports (**I**) to the Lower Columns (**B**) and Feet (**F**) using M8x10mm Screws (**S-C**) and 5mm Allen Wrench (**T-A**).



Do not fully tighten Screws until STEP 8 to avoid misalignments.

## STEP 4

**4.1** Attach the Crossbar (**D**) to the bottom of the Lower Columns (**B**) using M8x50mm Screws (**S-E**) and 5mm Allen Wrench (**T-A**).

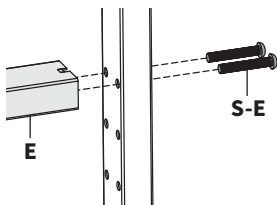


### 4.2

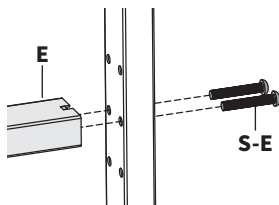
#### Three Height Settings

Choose a height setting and use a hole pattern shown to attach the Shelf Support (**E**) to Lower Columns (**B**) using M8x50mm Screws (**S-E**) and 5mm Allen Wrench (**T-A**).

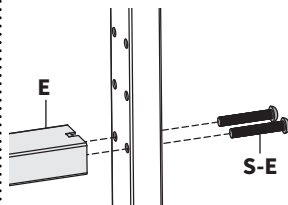
##### Option 1



##### Option 2



##### Option 3



#### NOTE

Manual will proceed with **Option 2**.

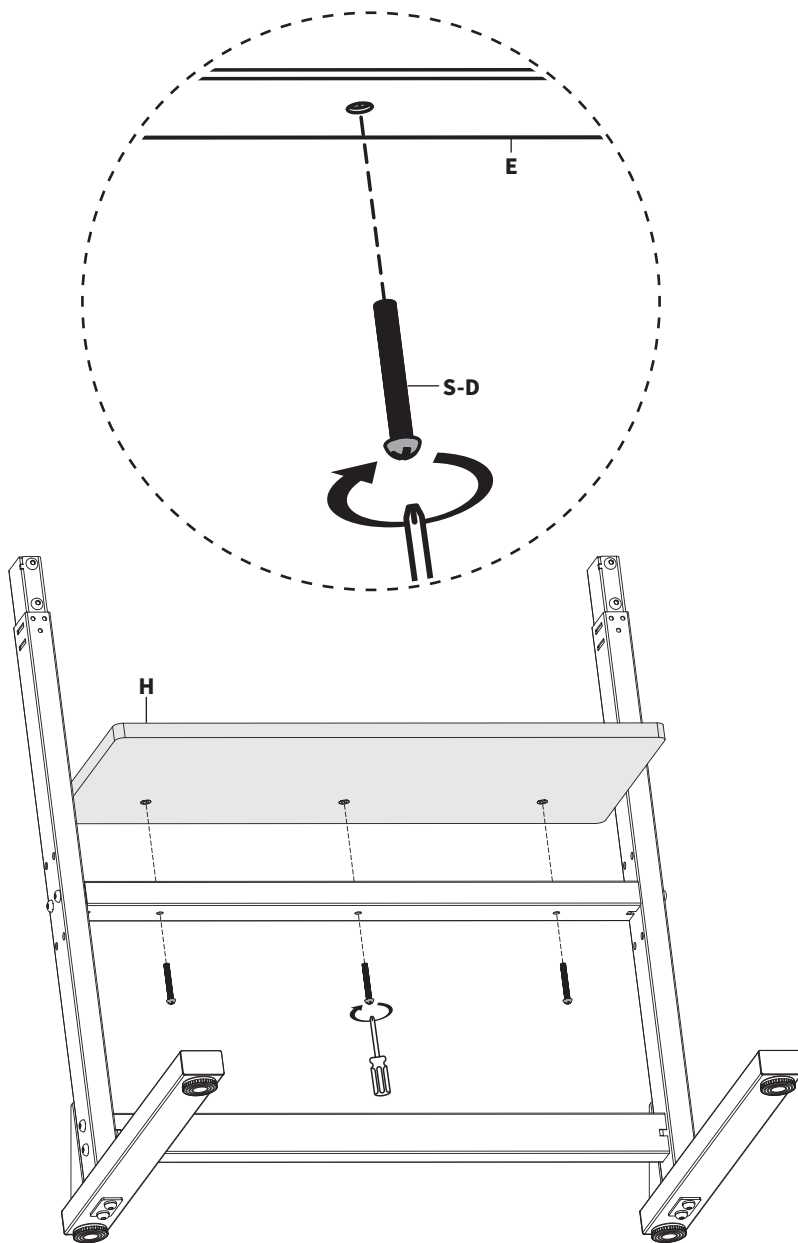
Steps for **Options 1 & 3** will be the same as **Option 2**.



Do not fully tighten Screws until STEP 8 to avoid misalignments.

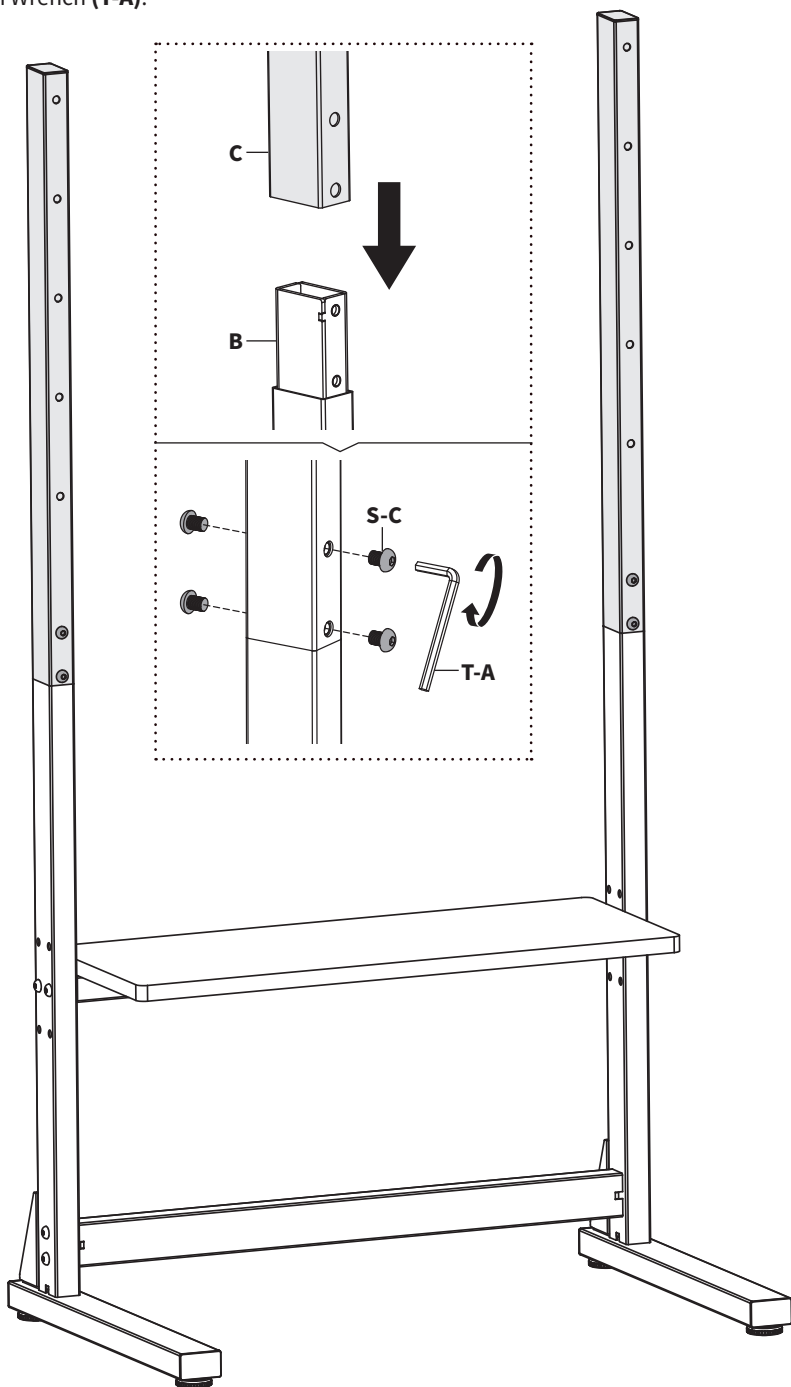
## STEP 5

Attach Shelf (**H**) to the Shelf Support (**E**) using M6x45mm Screws (**S-D**) and a Phillips screwdriver.



## STEP 6

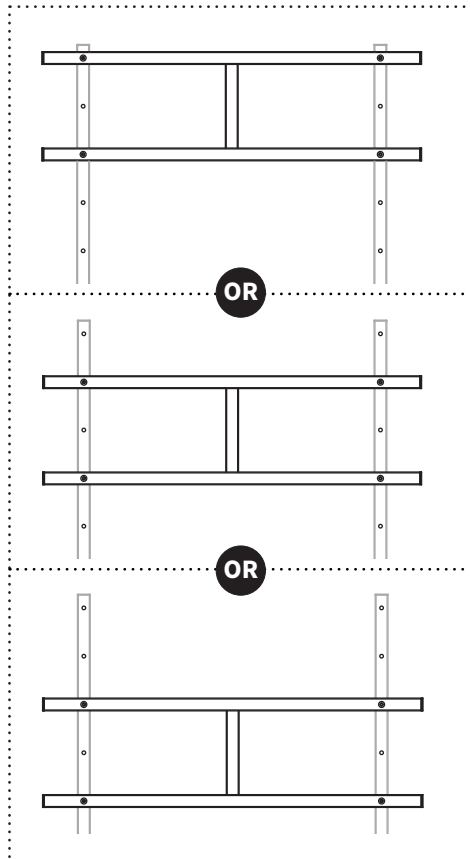
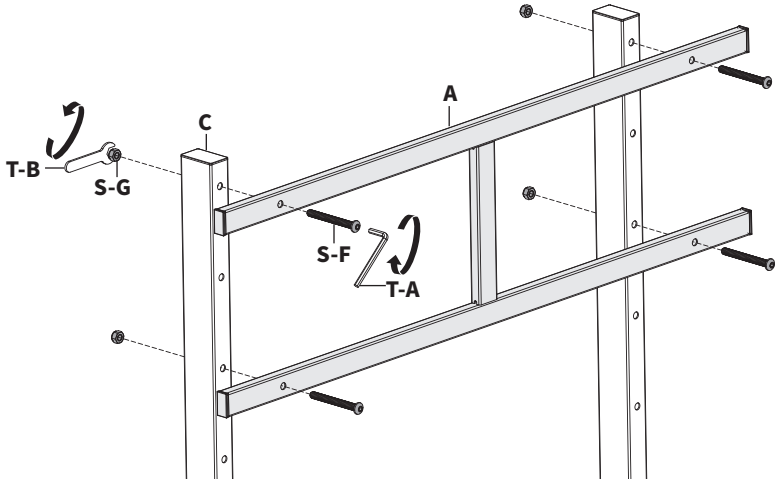
Attach the Upper Columns (**C**) to the Lower Columns (**B**) using M8x10mm Screws (**S-C**) and 5mm Allen Wrench (**T-A**).



Do not fully tighten Screws until STEP 8 to avoid misalignments.

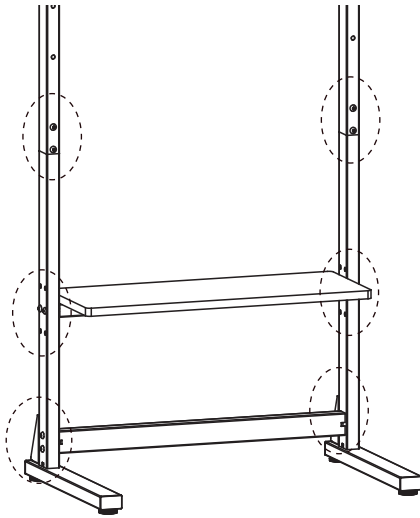
## STEP 7

Attach the Mounting Bracket (A) to the Upper Columns (C) at the desired height using M8x75mm Screws (S-F) and M8 Nuts (S-G). Tighten using 5mm Allen Wrench (T-A) and Wrench (T-B).



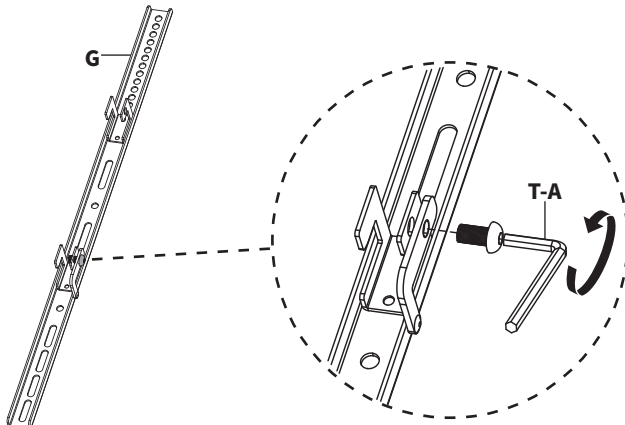
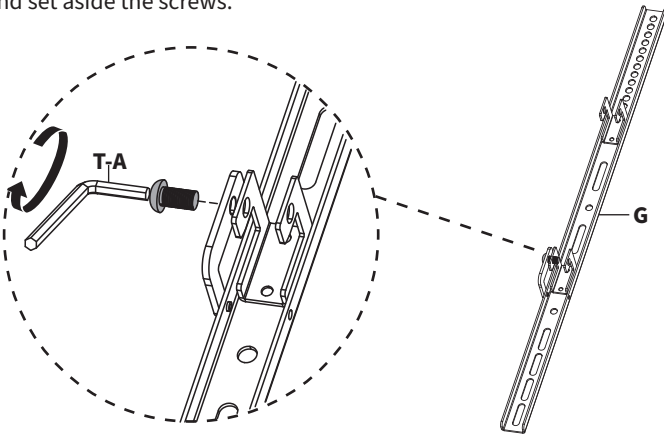
## STEP 8

Using 5mm Allen Wrench (**T-A**), fully tighten all Screws on assembly that were previously not fully tightened.



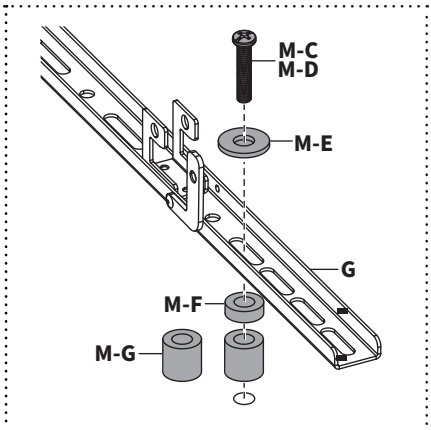
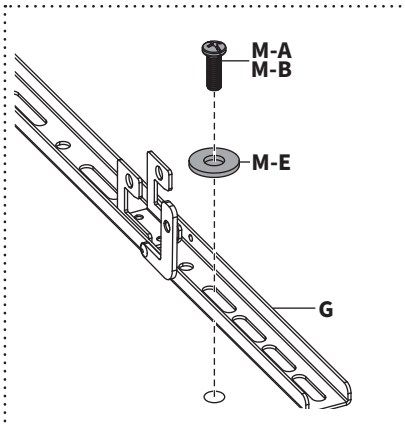
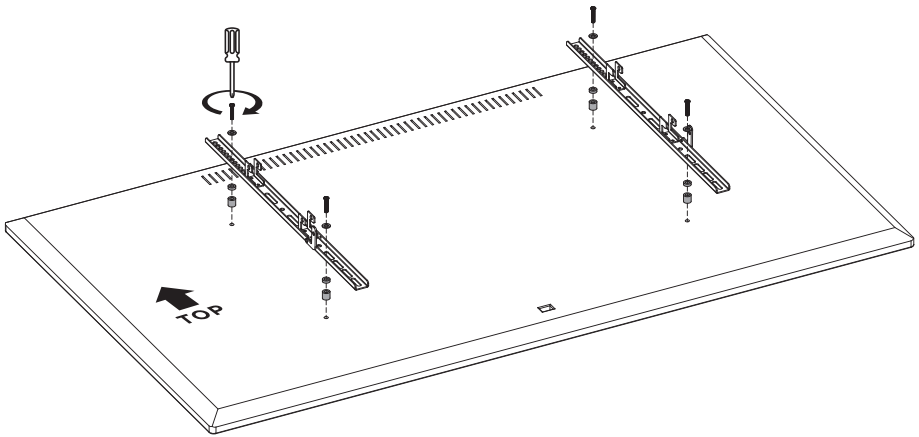
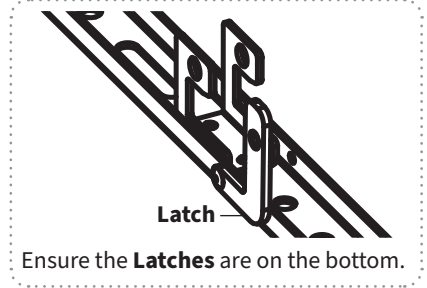
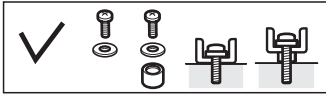
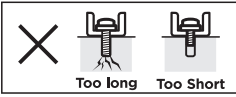
## STEP 9

Remove the preinstalled screws from VESA Bracket Set (**G**) using 5mm Allen Wrench (**T-A**), and set aside the screws.



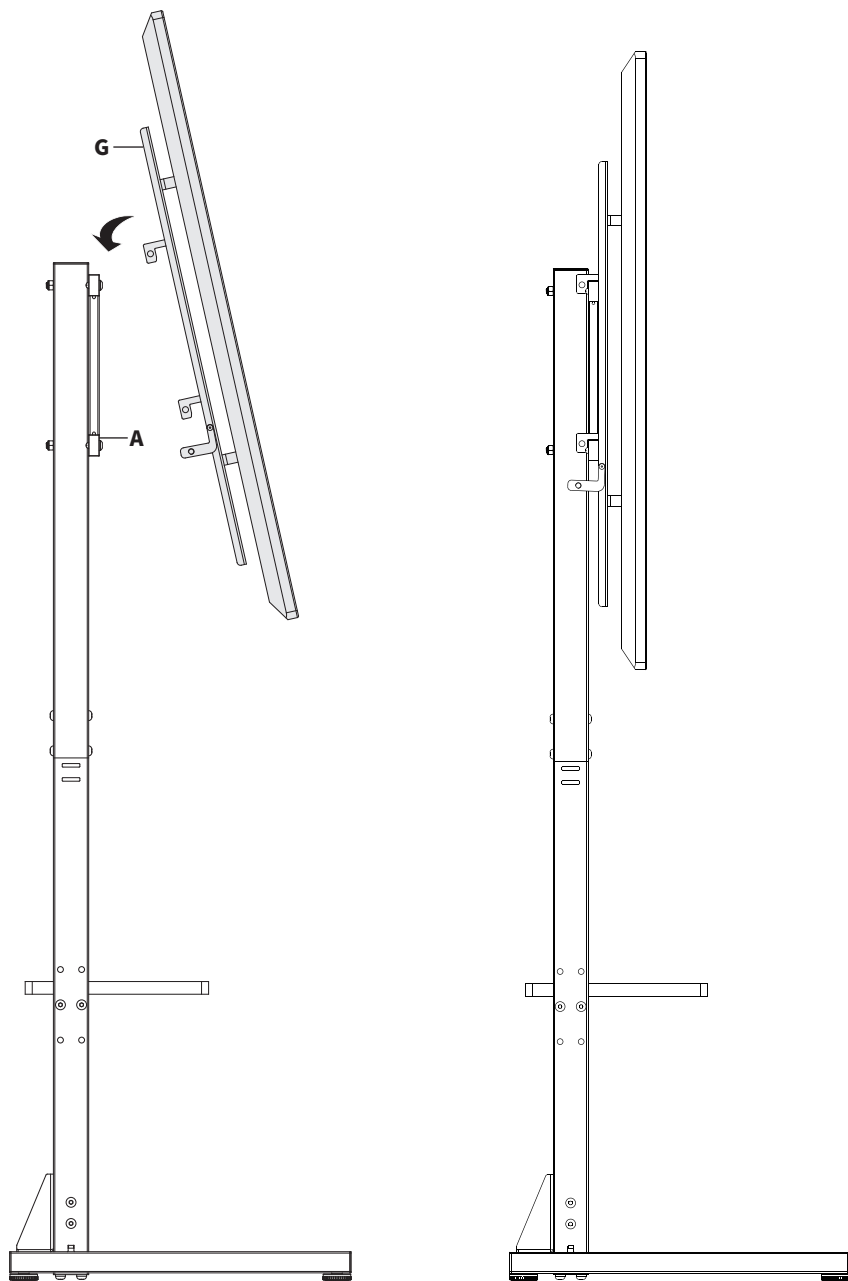
## STEP 10

Attach VESA Bracket Set (**G**) to the TV using appropriate Screws (**M-A thru M-D**) and Large M8 Washers (**M-E**). Spacers (**M-F, M-G**) can be used if needed. Tighten using a Phillips screwdriver.



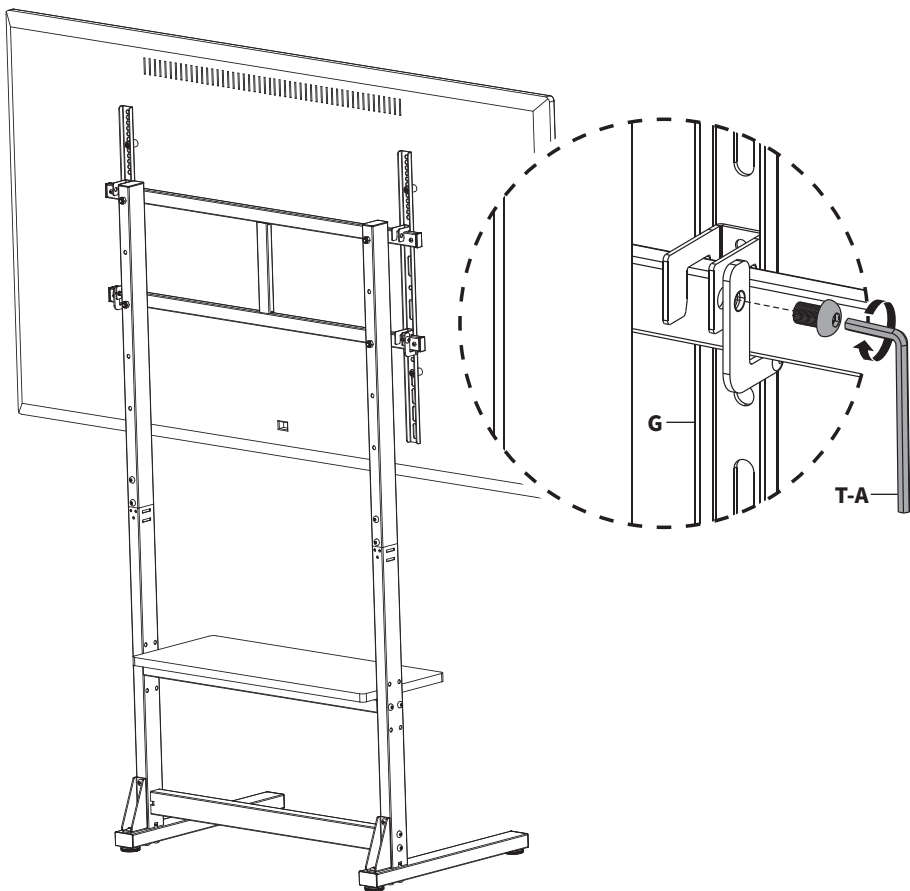
## STEP 11

Hang and center TV with VESA Bracket Set (**G**) onto Mounting Bracket (**A**).



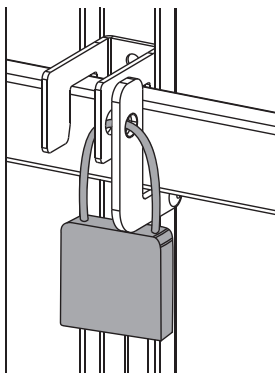
## STEP 12

Close the Latches on VESA Bracket Set (**G**) and secure using previously removed screws and 5mm Allen Wrench (**T-A**).



---

A Lock (not included) can be used instead of screws if preferred.





## Need Help? **We're Here For You**

Monday-Friday from 7am-7pm CST

Saturday 8am-4pm CST



Email Us

[help@vivo-us.com](mailto:help@vivo-us.com)



Chat with Live Agent

[www.vivo-us.com](http://www.vivo-us.com)



Give Us a Call

309-278-5303 ext. 1



VIVO-us



@vivo\_us



@VIVOus



VIVO