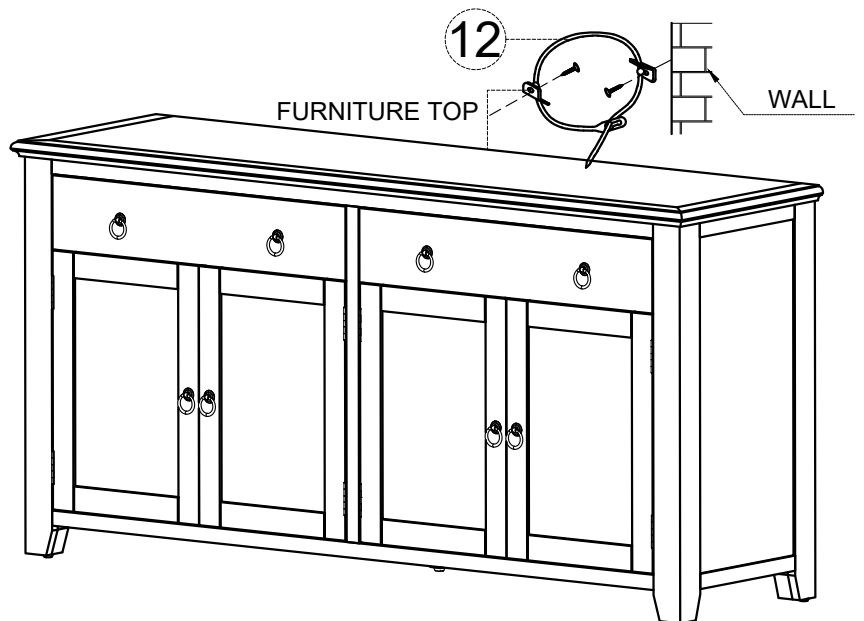
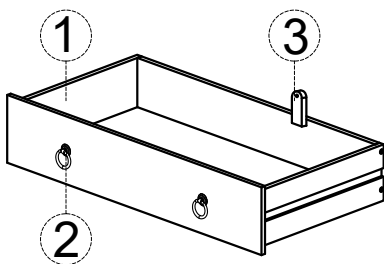
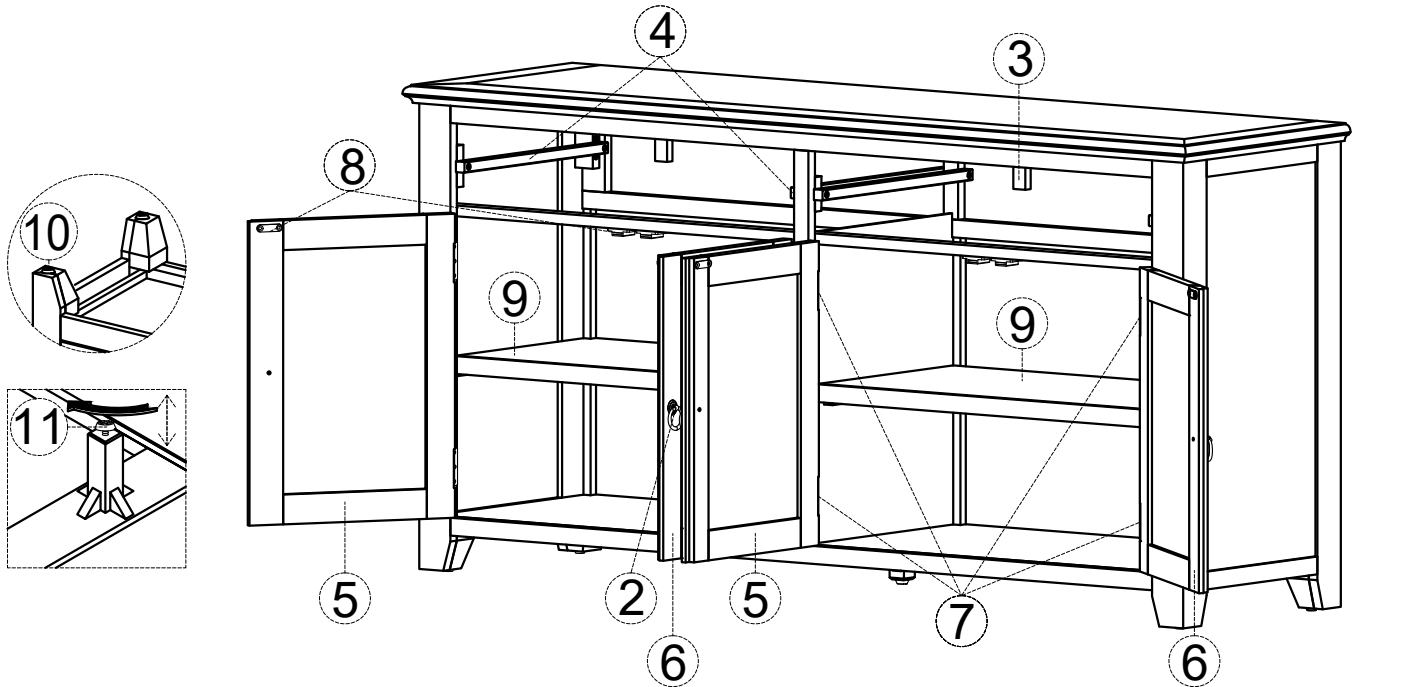


# ASSEMBLY INSTRUCTIONS & PARTS IDENTIFICATION

Thank you for purchasing this quality product. Be sure to check all packing material carefully for small parts that may have come loose inside the carton during shipment.

Parts key							
No	Code	Qty	Description	No	Code	Qty	Description
1		2 pcs	Complete Drawer	7		8 pcs	Door Hinge
2		8 sets	Door/Drawer Pull w/Screw	8		4 sets	Door Catch
3		2 pcs	Drawer Stop	9		2 pcs	Shelf Assembly
4		4 pcs	Drawer Wooden Glide	10		4 pcs	Floor Glide
5		2 pcs	Left Facing Door	11		1 pc	Floor Leveler
6		2 pcs	Right Facing Door	12		1 set	Anti-Tip Kit



PLEASE NOTE :  
To help prevent the possibility of tip-over,  
Install the ANTI- TIP OVER restraint provided.