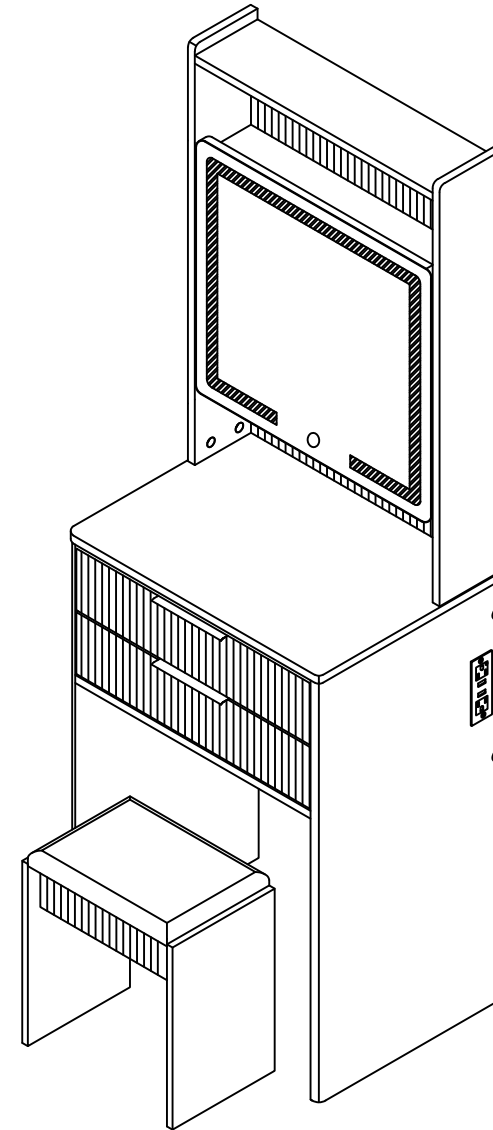
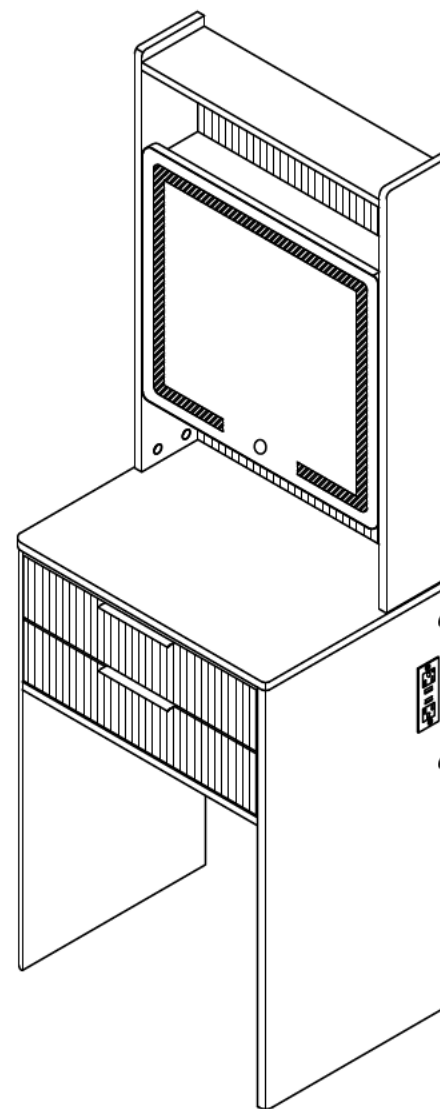


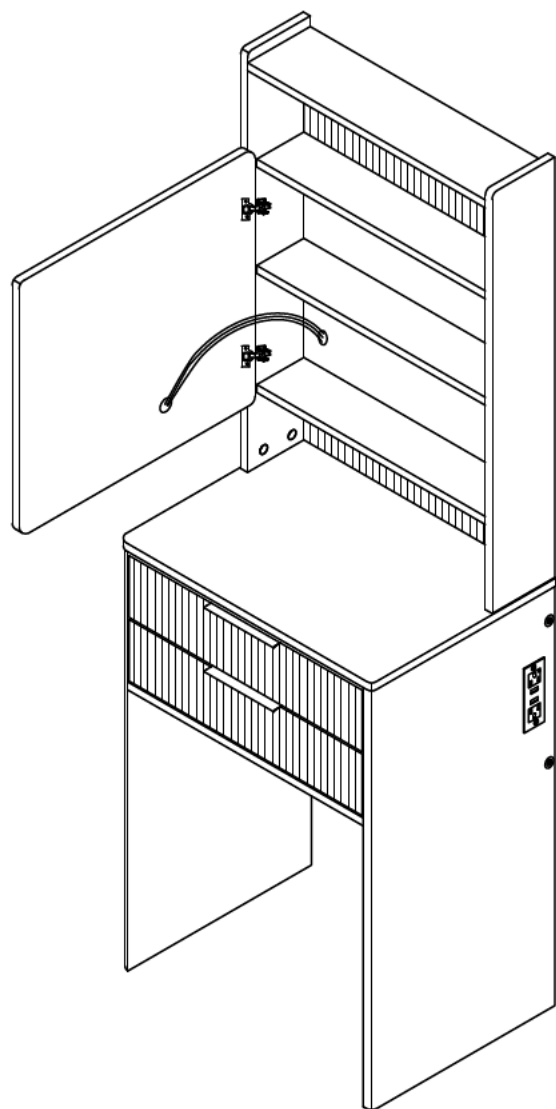
Instruction Book



STEP 18

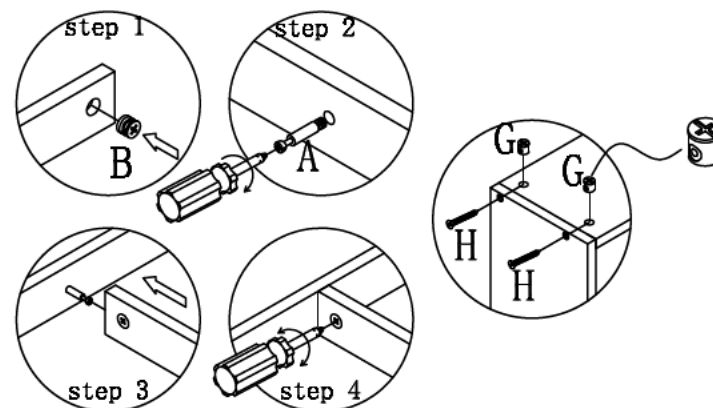


STEP 17







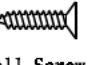
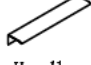

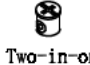








ST-NAT-8710-PW Left cabinet

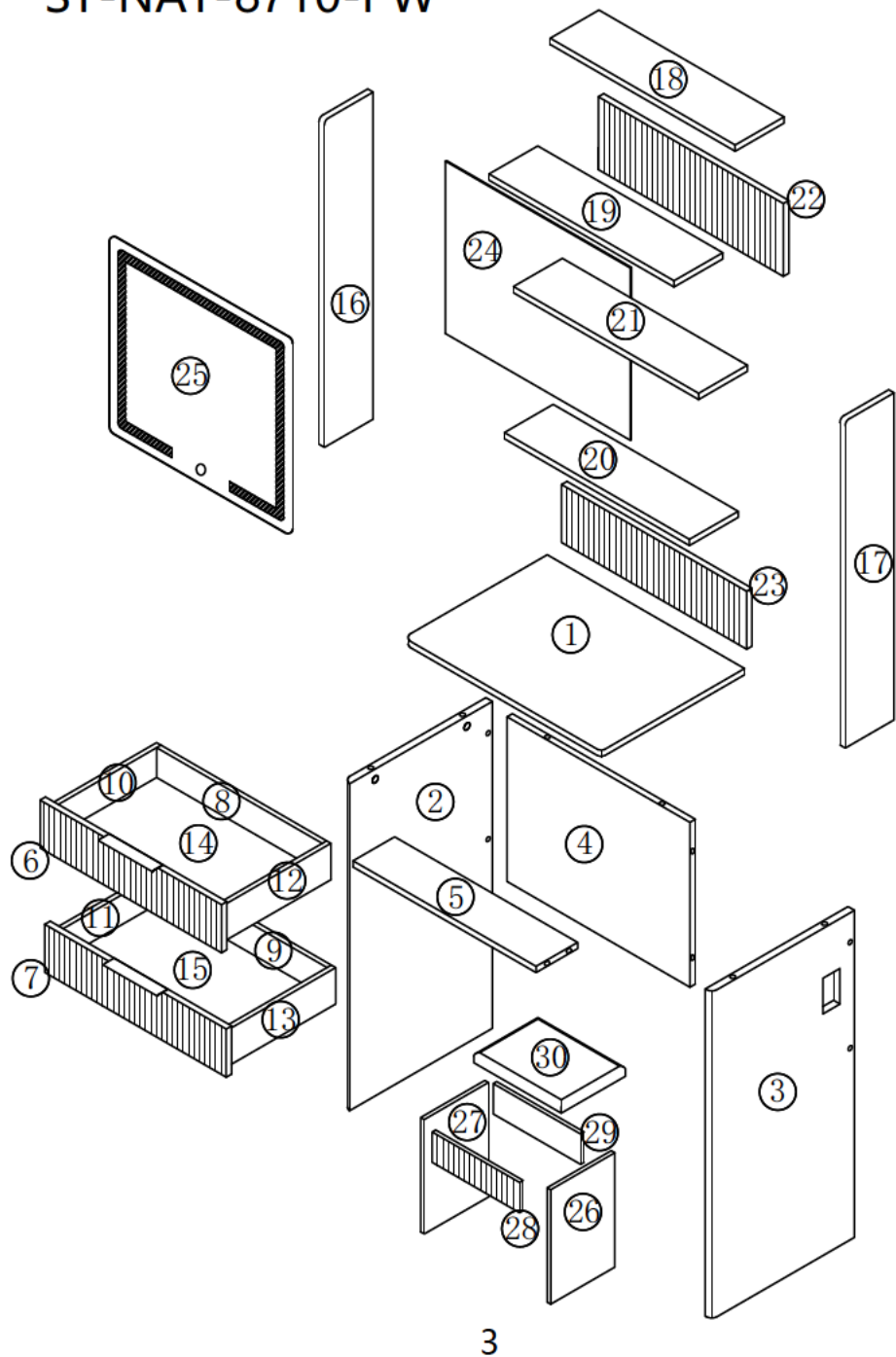
A, B, G, H, C, D installation guide



Accessories

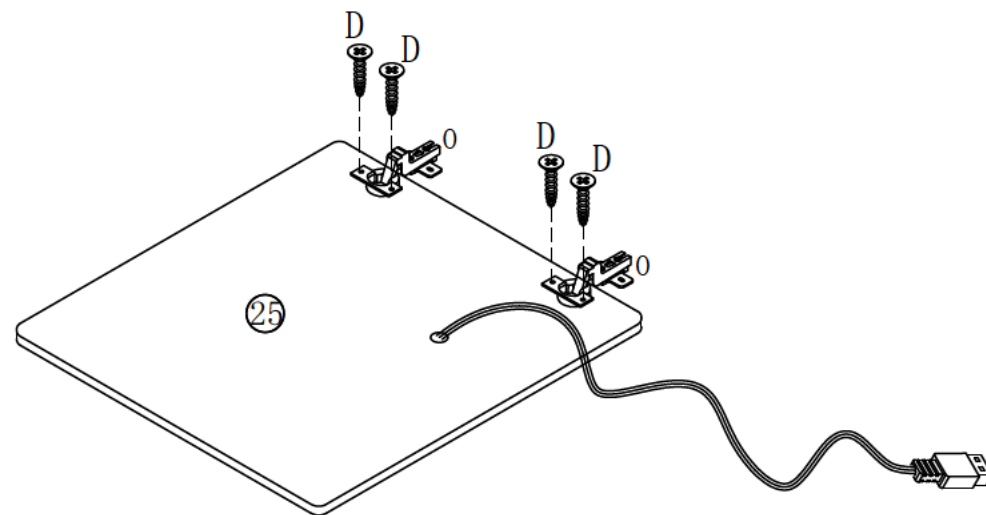
 Three-in-one screw A*54	 Three-in-one nut B*54	 drawer Track CR*2	 drawer Track DR*2	 drawer Track CL*2	 drawer Track DL*2
 Small Screw D*106	 Handle E*2	 Two-in-one screw H*16	 Two-in-one nut G*16	 Small Screw X*32	 Stool foot nail M*8
 Corner code I*2	 Door hinges O*4	 usb power Q*1	 screwdriver Z*1		

ST-NAT-8710-PW

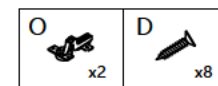


3

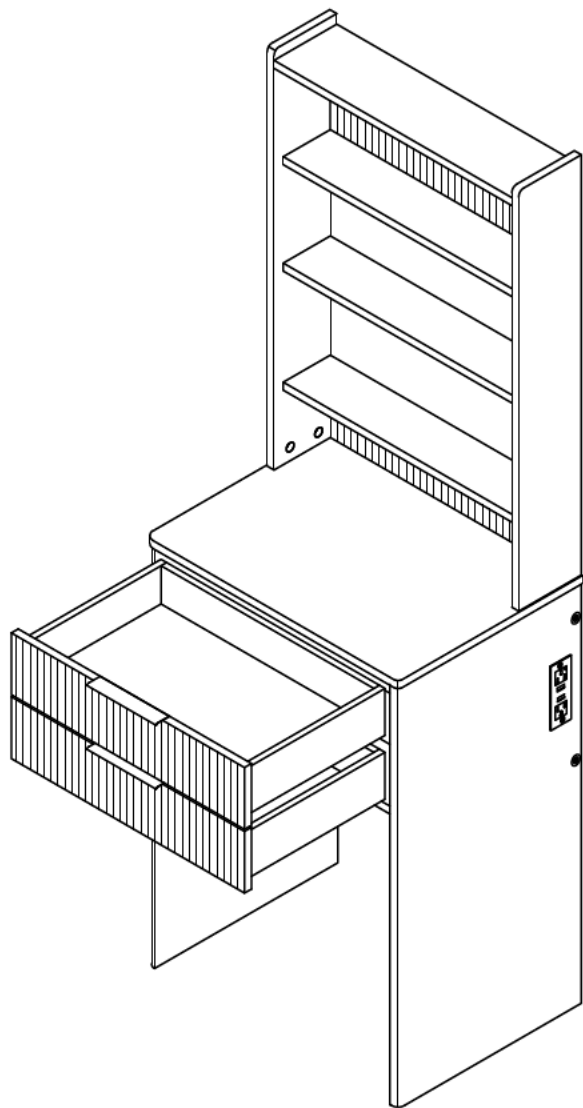
STEP 16



20

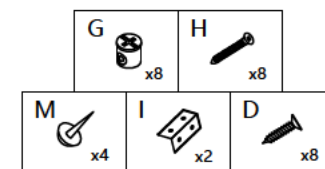
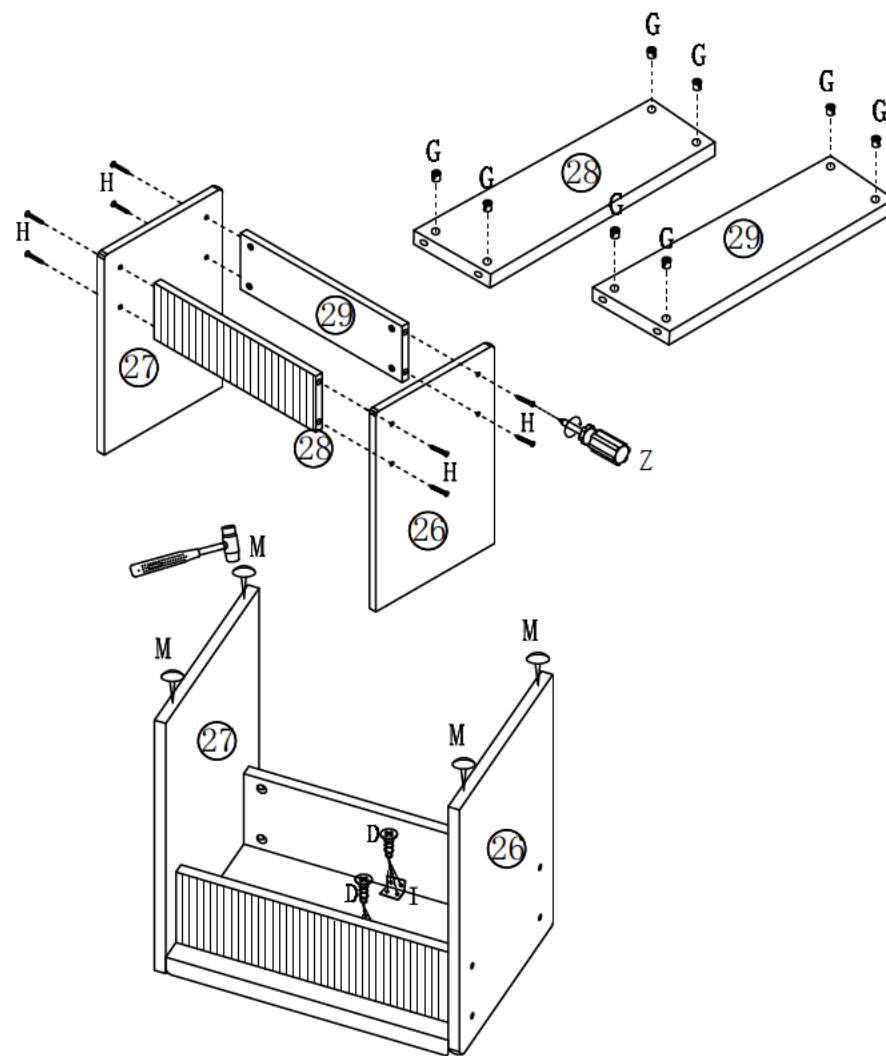


STEP 15



19

STEP 1



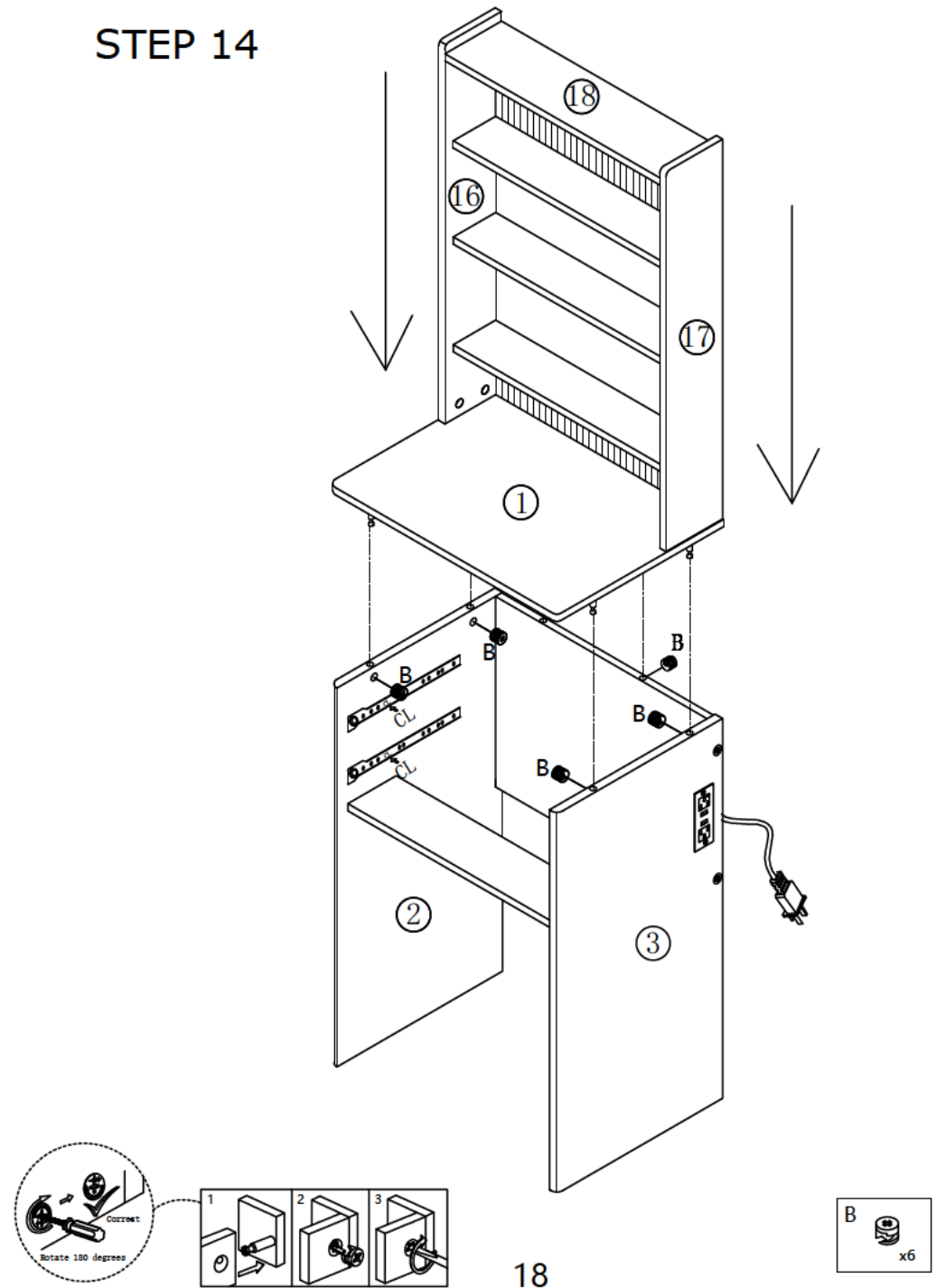
4

Guidelines for the use of 3-in-1 connecting rods:

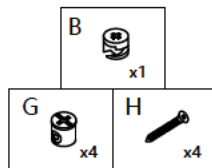
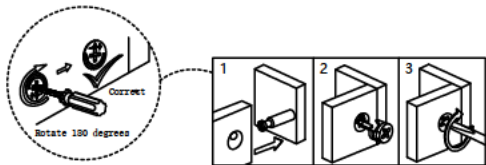
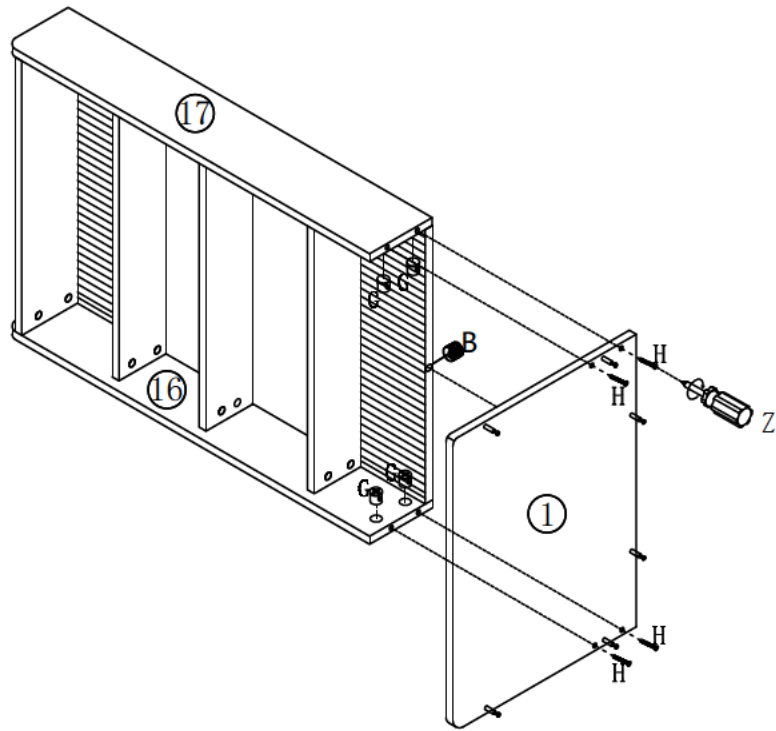
The blue screw cap at the bottom of the 3-in-1 connecting rod is twist-able, and it can be twisted clockwise or counterclockwise to fit the size of the reserved holes in the wooden board.

When you use this 3-in-1 connecting rod, if you find that it can't be inserted into the reserved holes on the wooden board, just loosen the blue screw cap a bit until it fits into the holes of the board. Then use a screwdriver to tighten the screws. Note: If the bottom blue screw cap is not stretched apart by the three-in-one connecting rod in the reserved hole, the connected part will appear unstable.

STEP 14



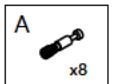
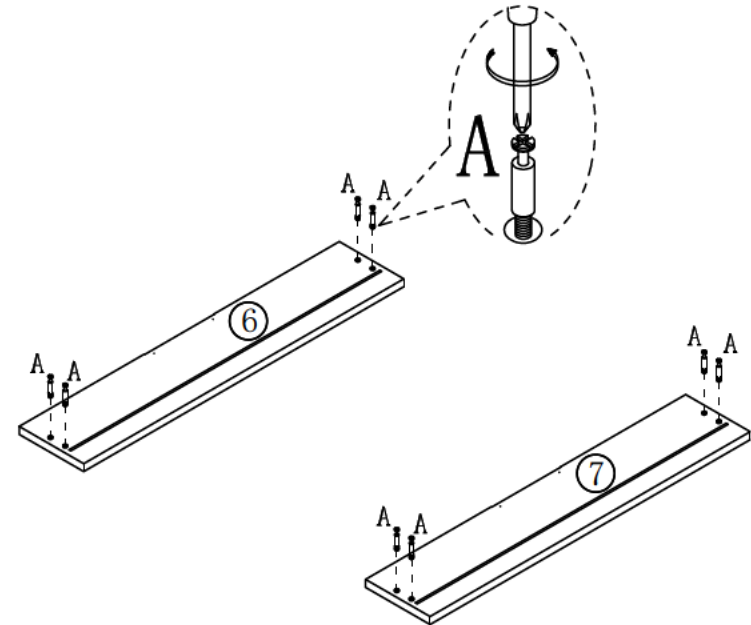
STEP 13



17

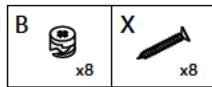
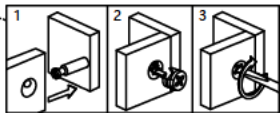
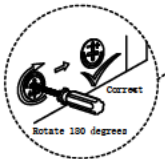
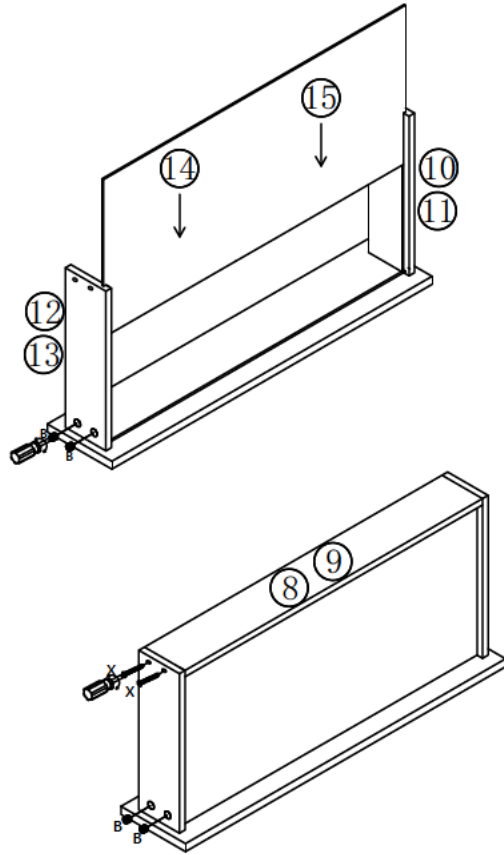
STEP 2

Put it into the reserved holes and tighten the screw



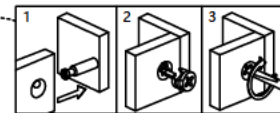
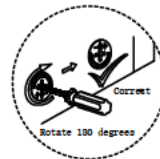
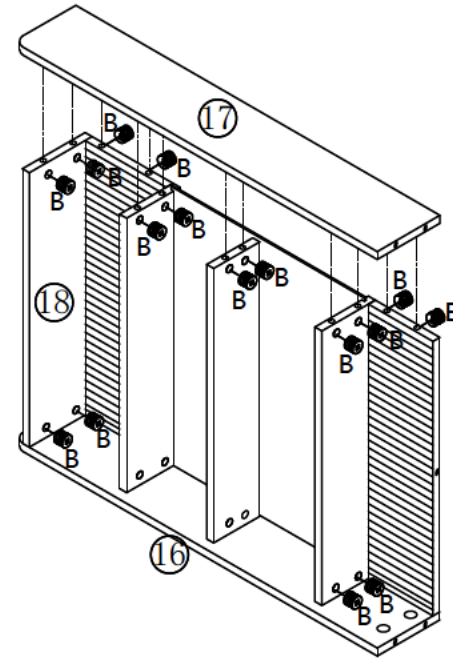
6

STEP 3



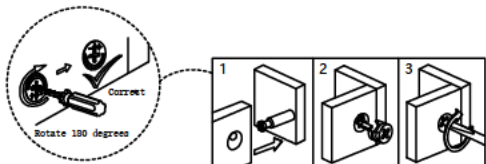
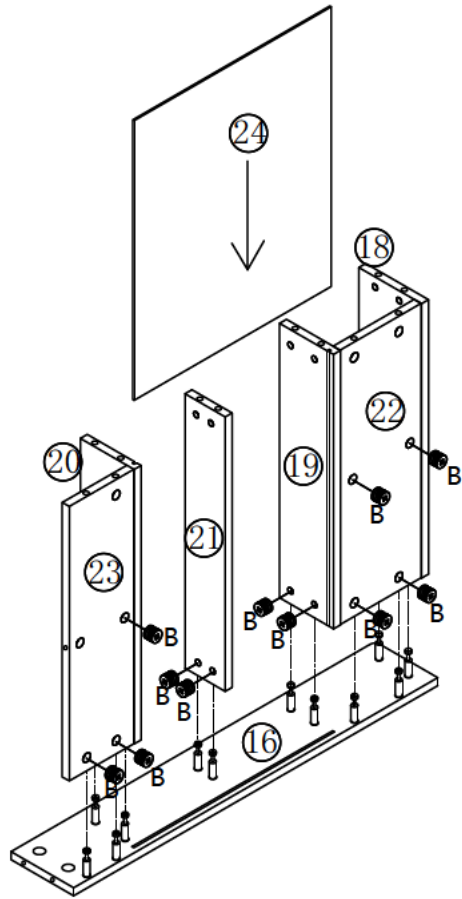
7

STEP 12

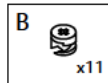


16

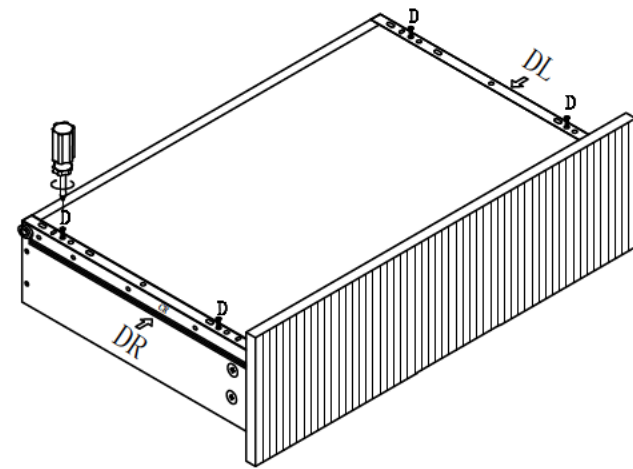
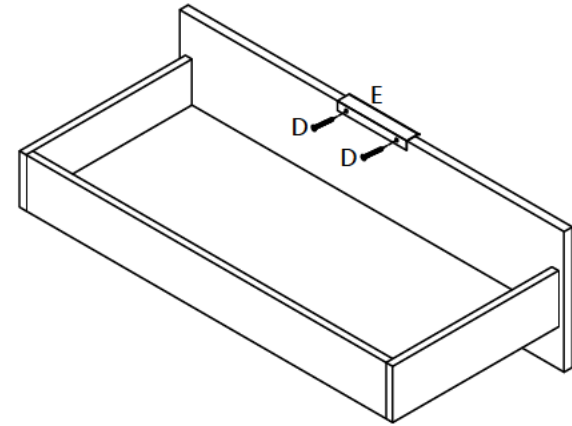
STEP 11



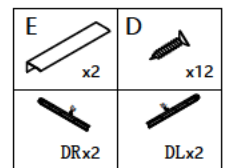
15



STEP 4

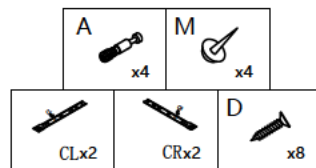
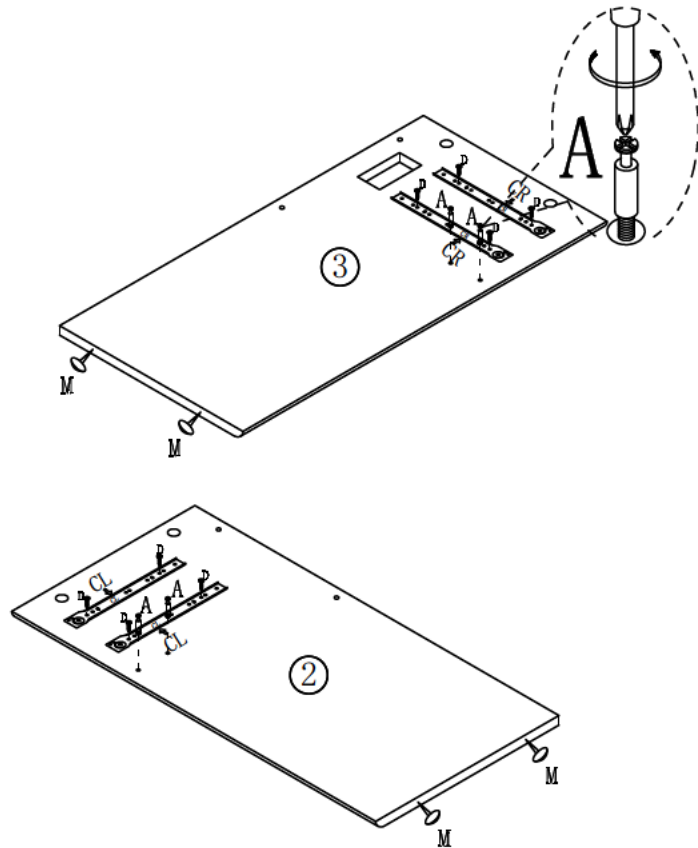


8

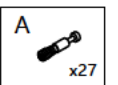
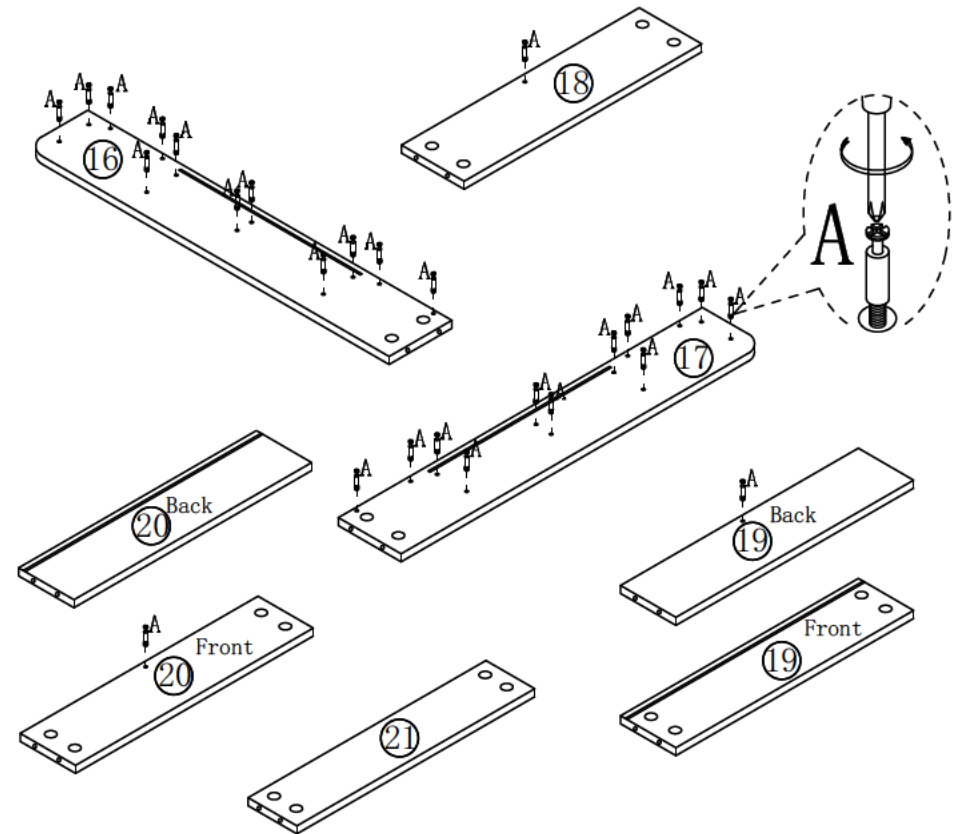


STEP 5

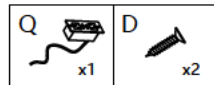
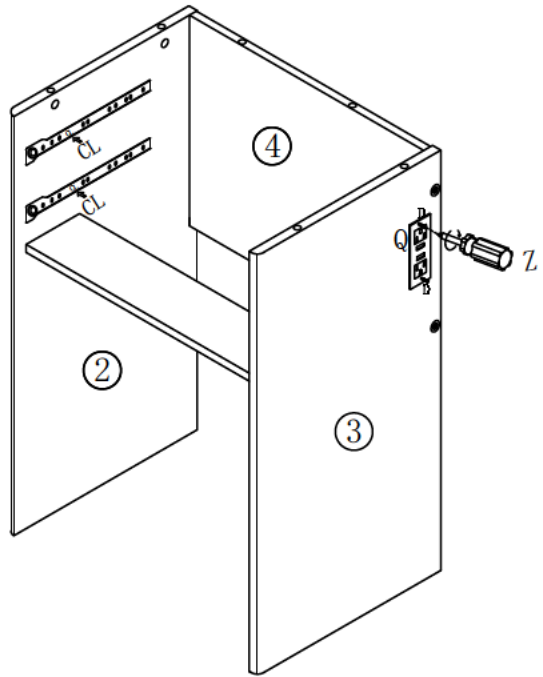
Put it into the reserved holes and tighten the screw



STEP 10

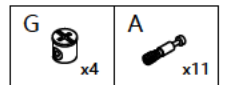
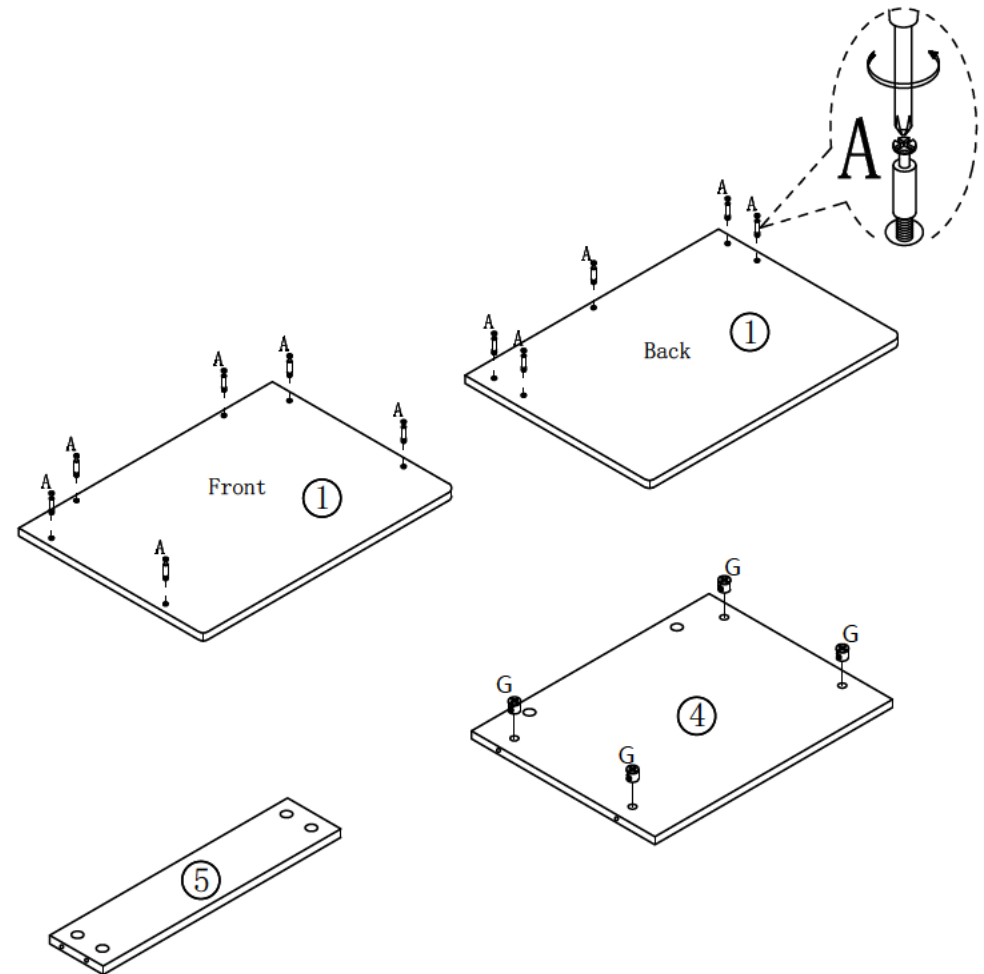


STEP 9



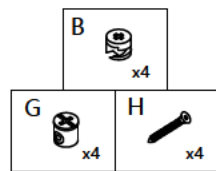
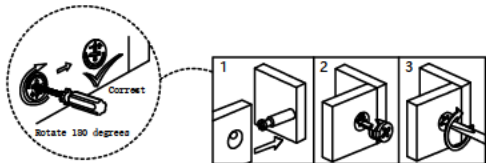
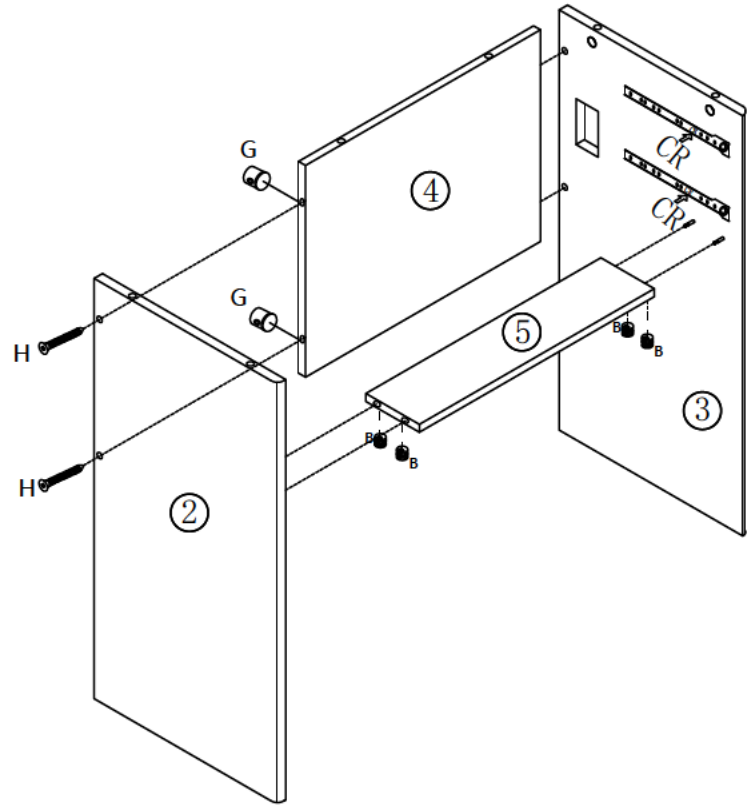
13

STEP 6 Put it into the reserved holes and tighten the screw



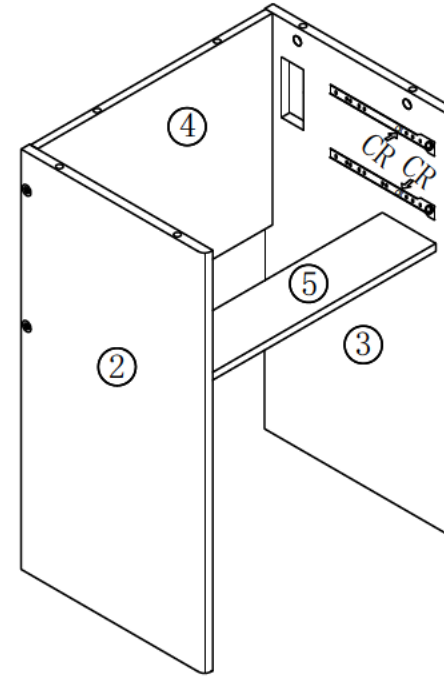
10

STEP 7



11

STEP 8



12