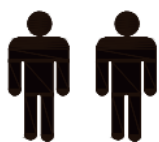
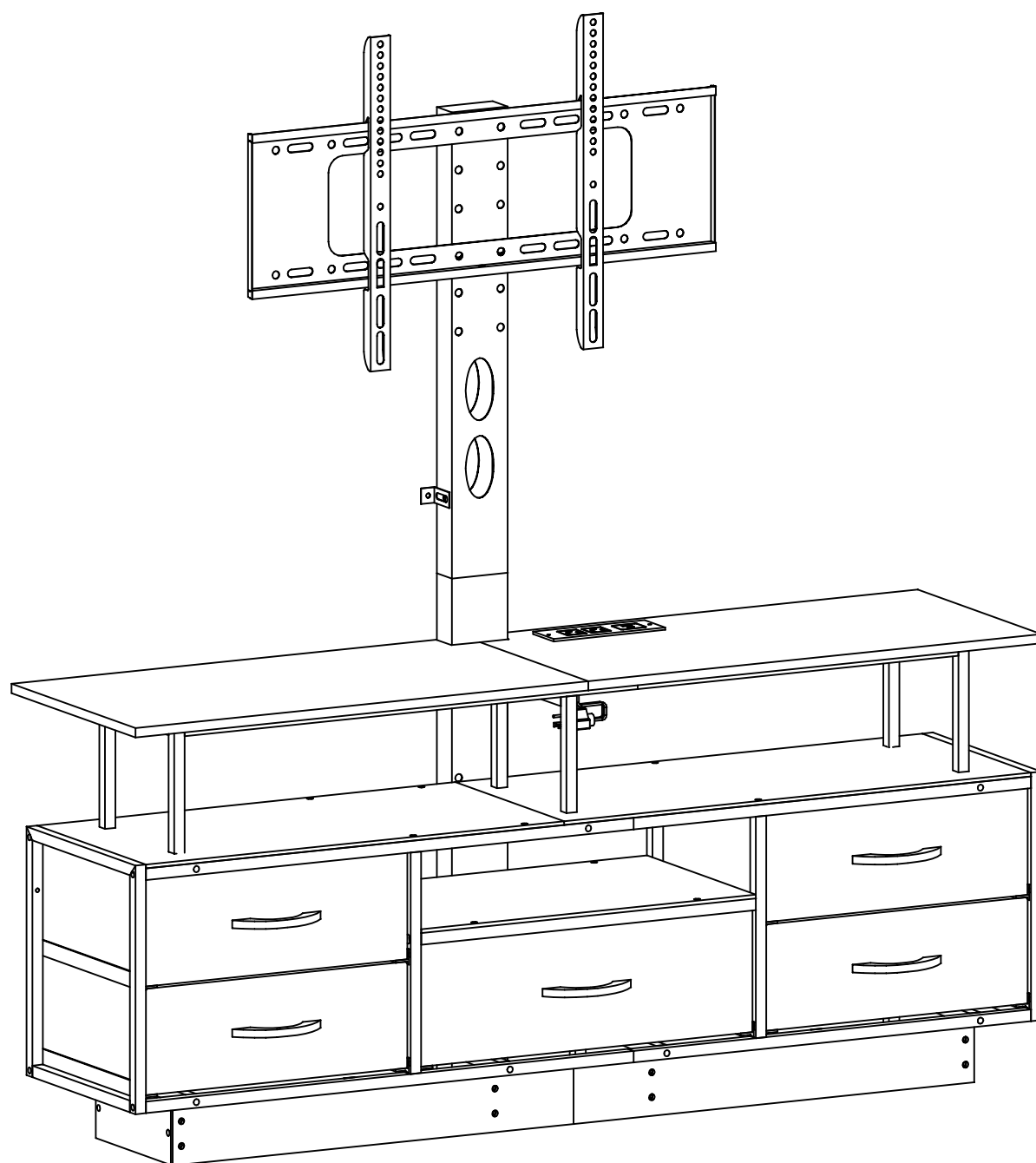
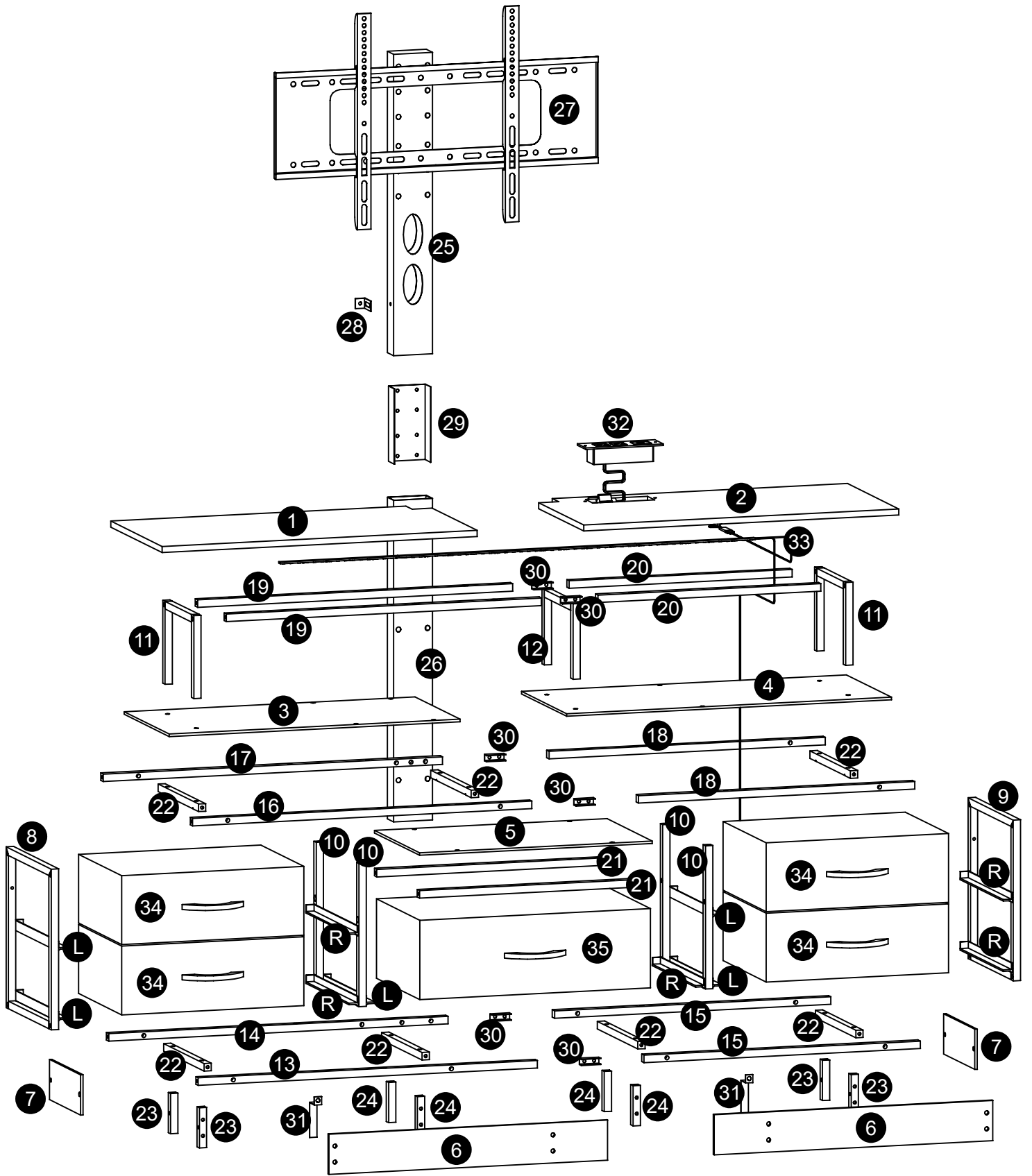


Installation & Assembly



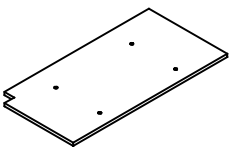
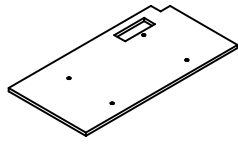
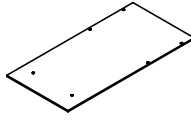
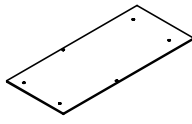
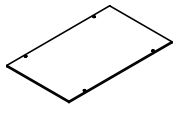
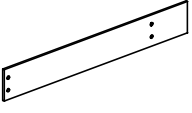
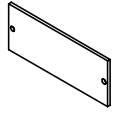
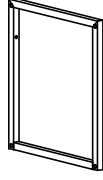
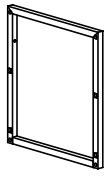

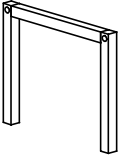
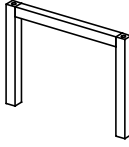
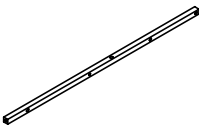
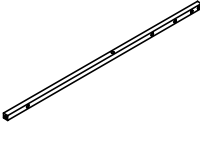
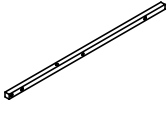
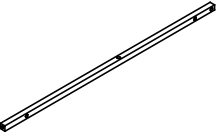
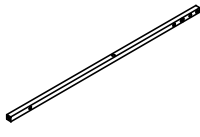
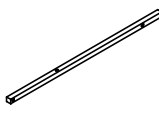
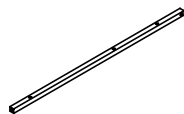
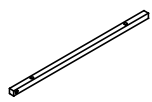
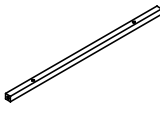
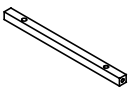
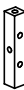
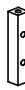


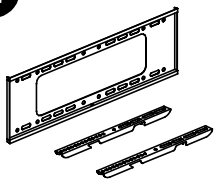
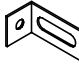
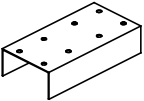
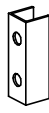
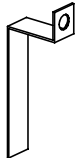
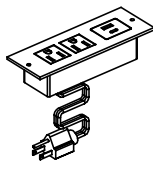
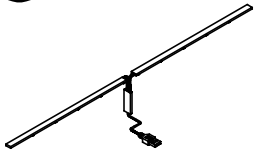
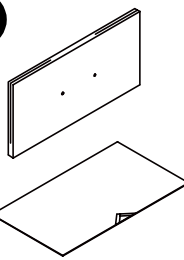
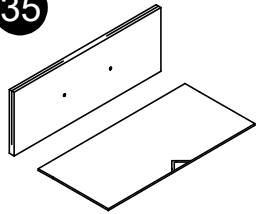
2 PERS.





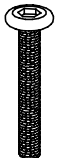
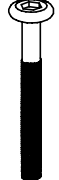




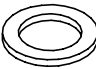


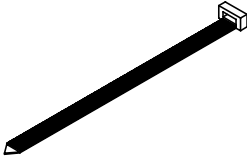




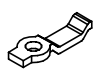

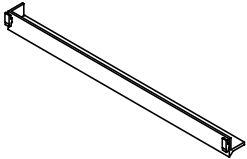
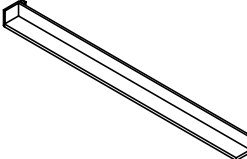
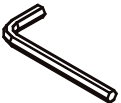
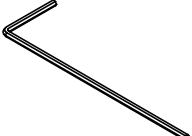

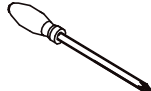




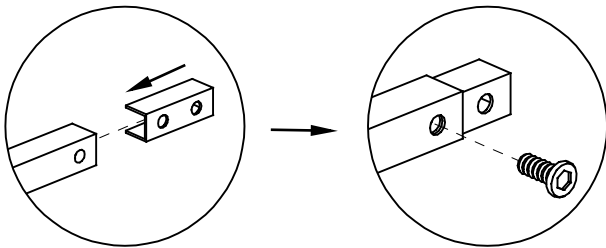
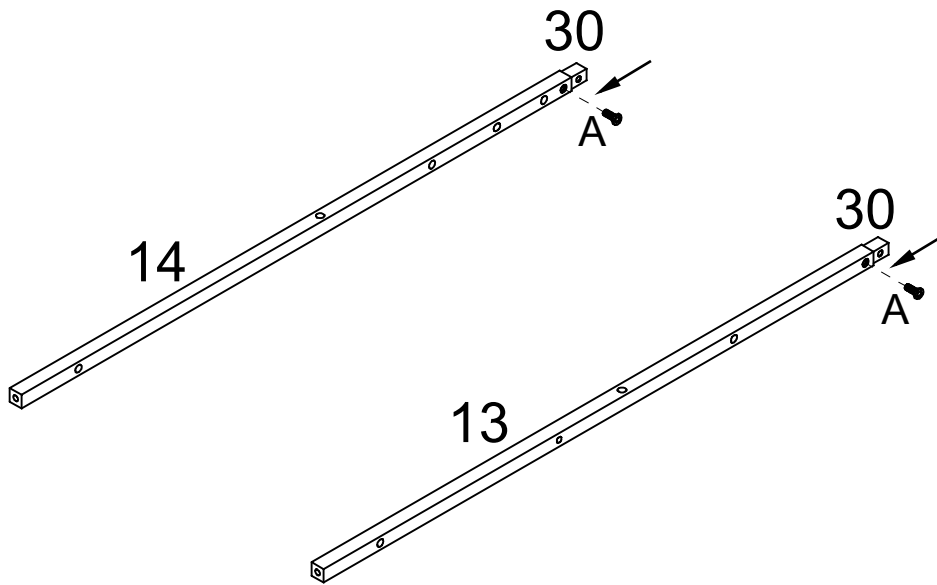
Assembling Instruction

Attention: Do not tighten the screws until all of them are in right positions

1  X1	2  X1	3  X1	4  X1	5  X1
6  X2	7  X2	8  X1	9  X1	10  X4
11  X2	12  X1	13  X1	14  X1	15  X2
16  X1	17  X1	18  X2	19  X2	20  X2
21  X2	22  X7	23  X4	24  X4	25  X1
26  X1	27  X1	28  X1	29  X1	30  X6
31  X2	32  X1	33  X1	34  X4	35  X1

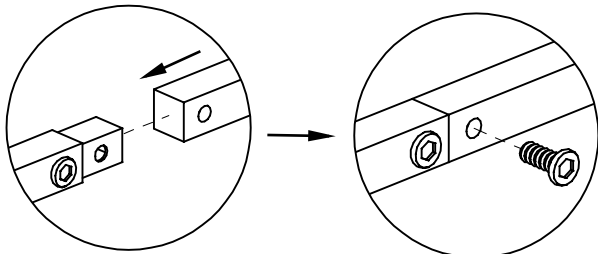
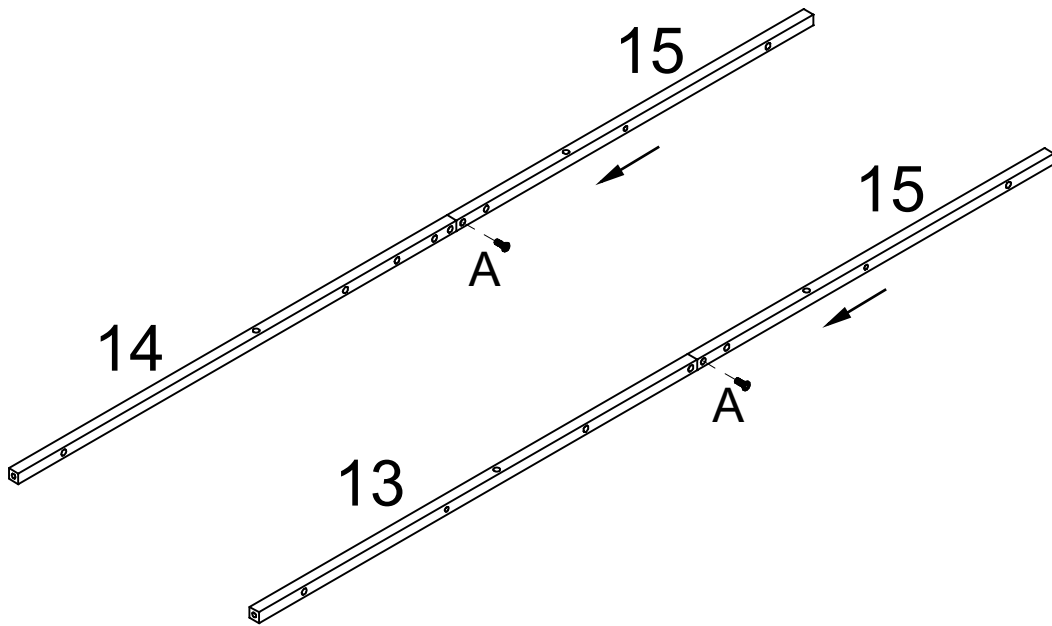
<p>A</p>  <p>M6X10 X41</p>	<p>B</p>  <p>M6X14 X4</p>	<p>C</p>  <p>M6X22 X54</p>	<p>D</p>  <p>M6X28 X10</p>	<p>E</p>  <p>M8X50 X4</p>
<p>F</p>  <p>M8X65 X4</p>	<p>G</p>  <p>M4X10 X10</p>	<p>H</p>  <p>M4X14 X4</p>	<p>J</p>  <p>M4X12 X2</p>	<p>K</p>  <p>M8 X8</p>
<p>M</p>  <p>M6 X4</p>	<p>N</p>  <p>M4 X8</p>	<p>P</p>  <p>X5</p>	<p>Q</p>  <p>X4</p>	<p>S</p> <div data-bbox="1332 694 1524 929" style="border: 1px solid black; padding: 5px;">  <p>M6X30</p>  <p>M4X70</p> </div> <p>X2</p>
<p>T</p> <div data-bbox="111 996 303 1220" style="border: 1px solid black; padding: 5px;">  <p>M6X30</p>  <p>M4X25</p> </div> <p>X5</p>	<p>U</p> <div data-bbox="414 996 606 1220" style="border: 1px solid black; padding: 5px;">  <p>M3X8</p>  <p>M3X8</p> </div> <p>X4</p>	<p>L</p>  <p>X5</p>	<p>R</p>  <p>X5</p>	 <p>M6</p>
 <p>M4</p>	 <p>M12&M14</p>			

Step 1



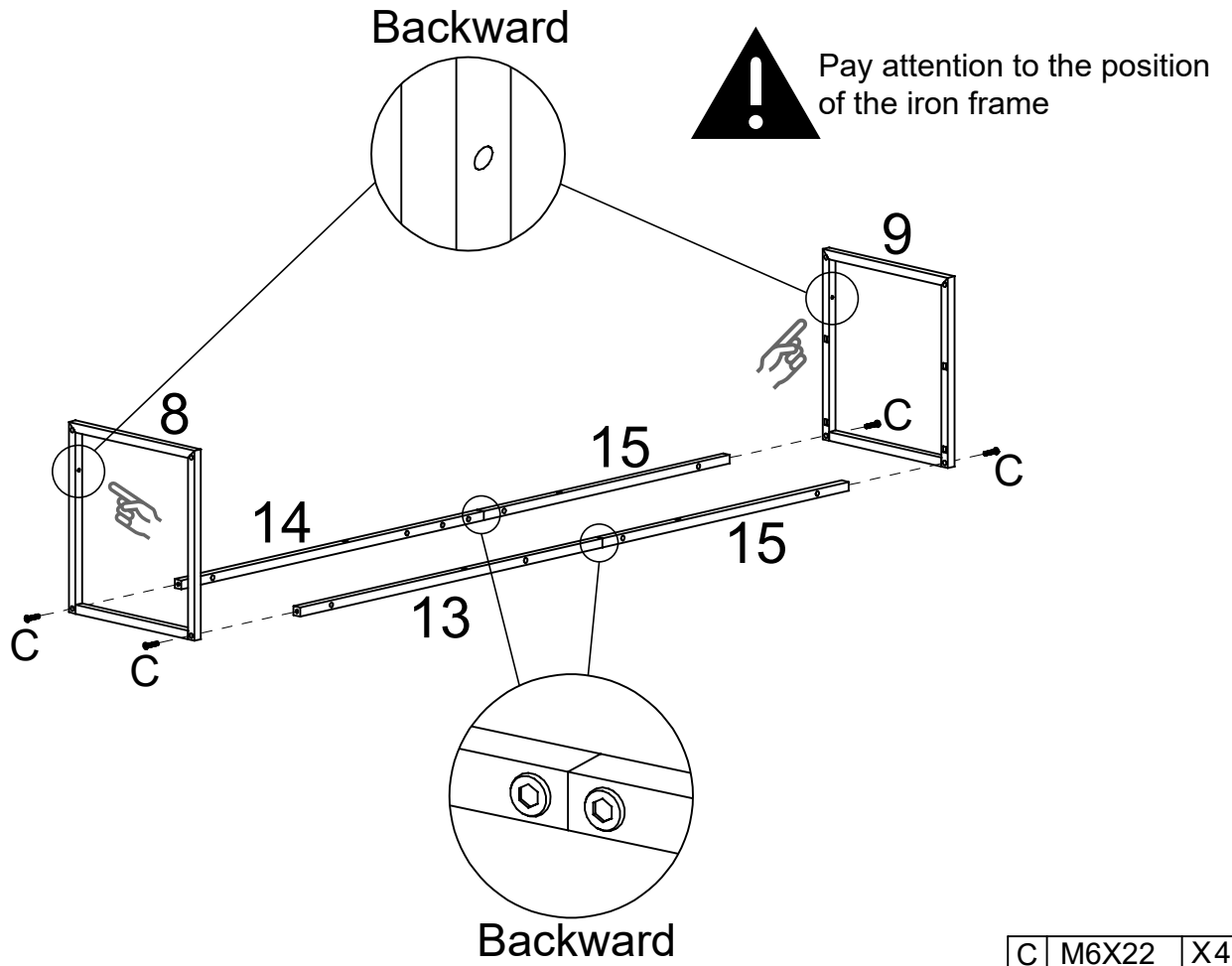
A	M6X10	X2
---	-------	----

Step 2

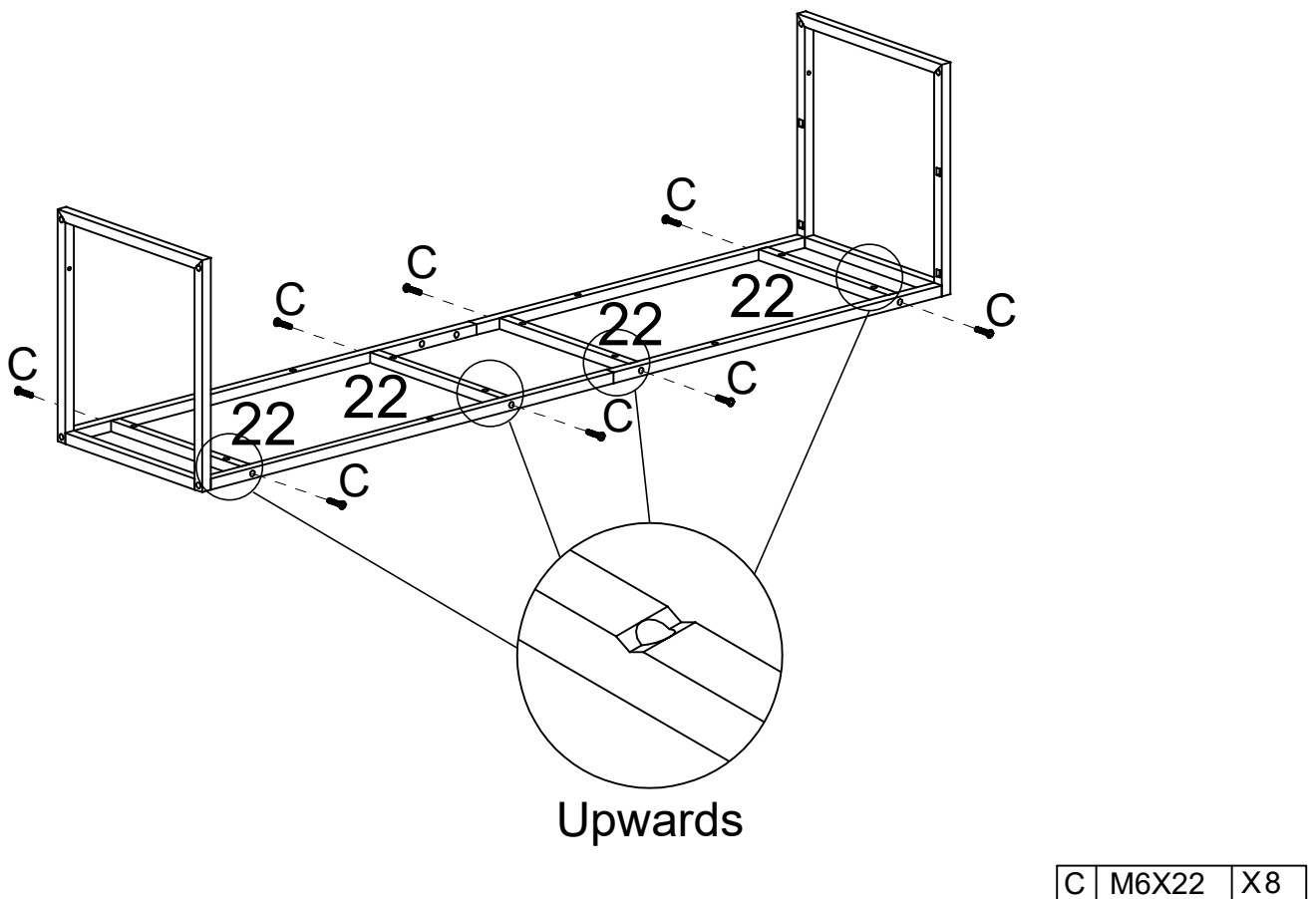


A	M6X10	X2
---	-------	----

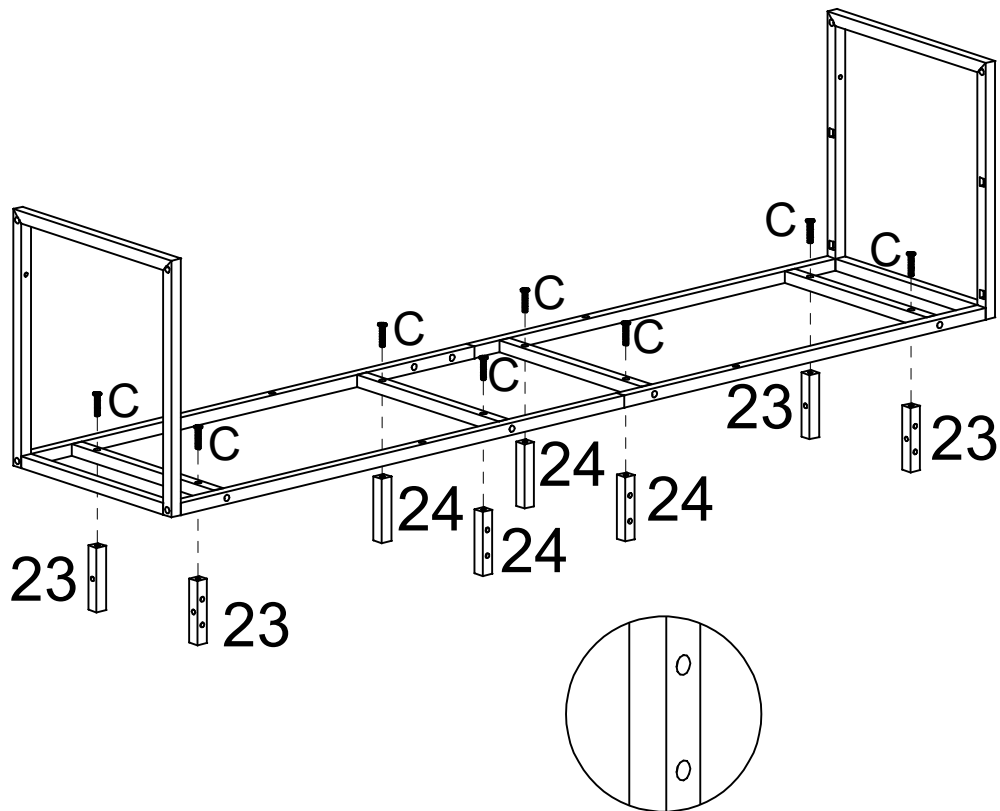
Step 3



Step 4



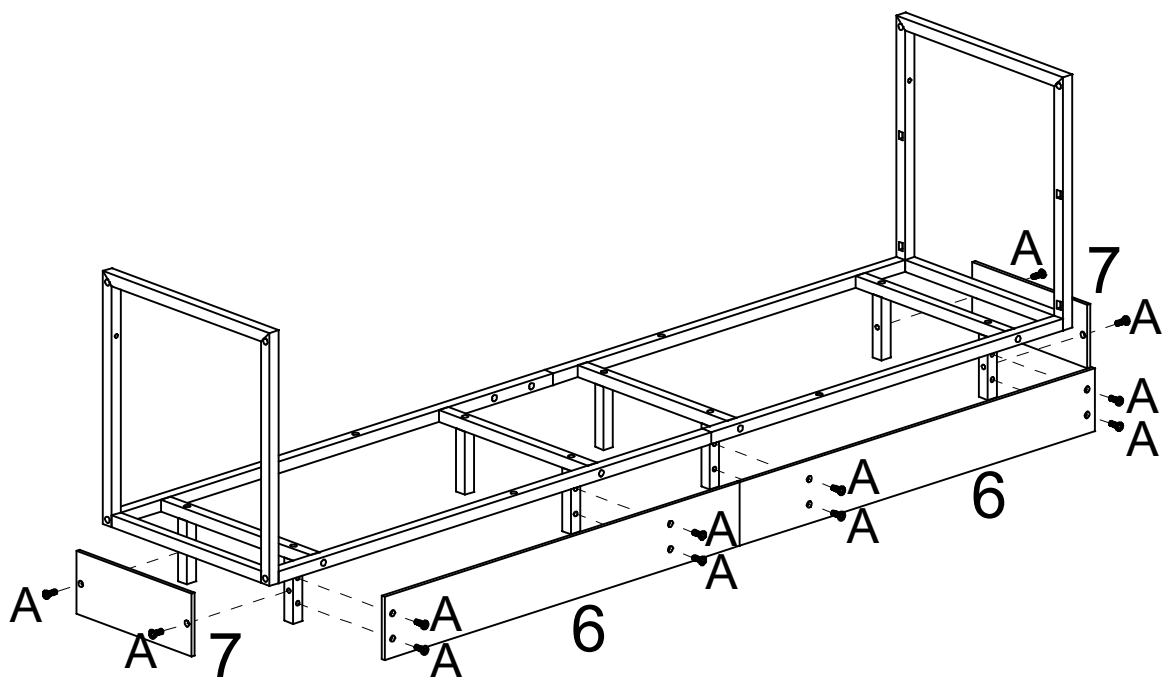
Step 5



The two holes face outwards

C	M6X22	X8
---	-------	----

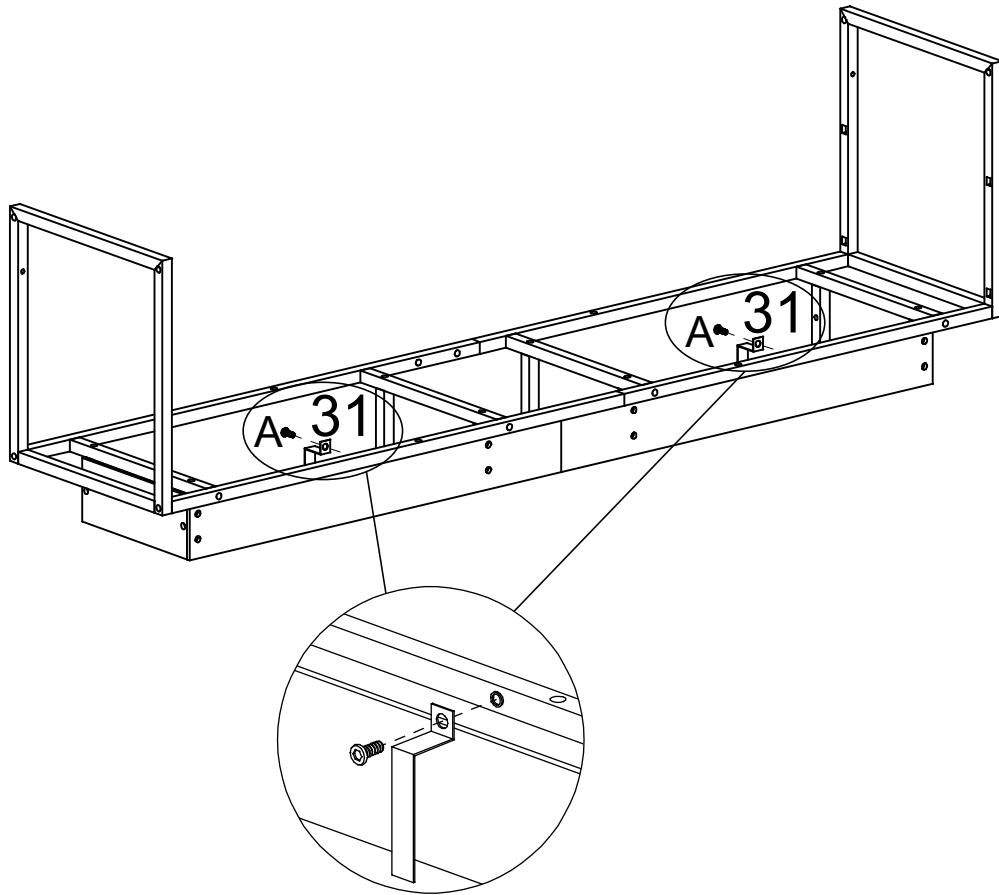
Step 6



Do not tighten the screws, and then tighten the screws when the board is in the correct position

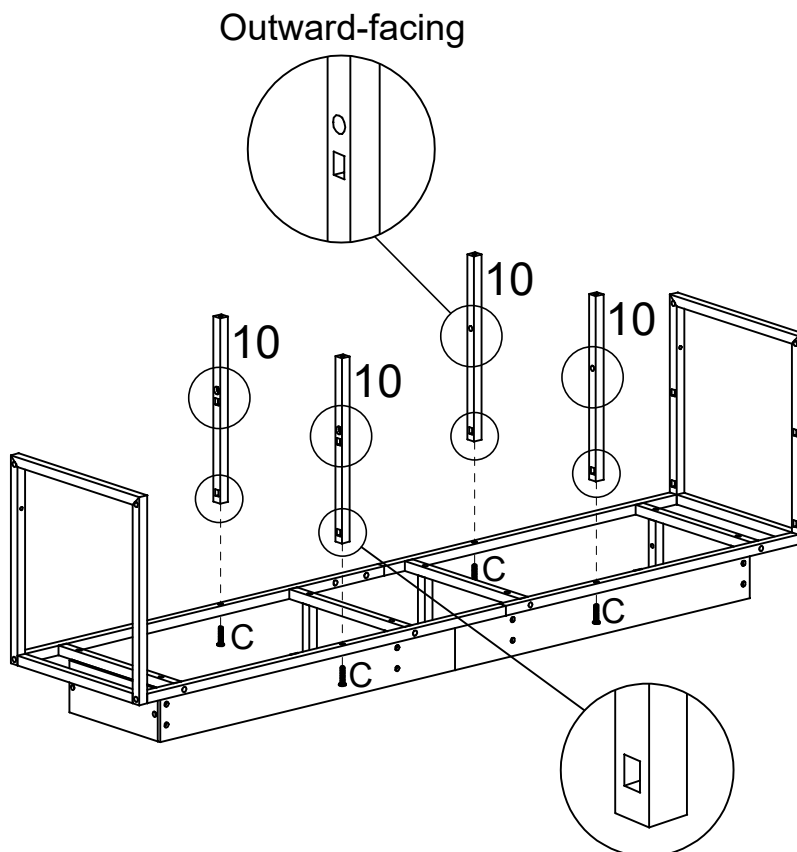
A	M6X10	X12
---	-------	-----

Step 7



A	M6X10	X2
---	-------	----

Step 8

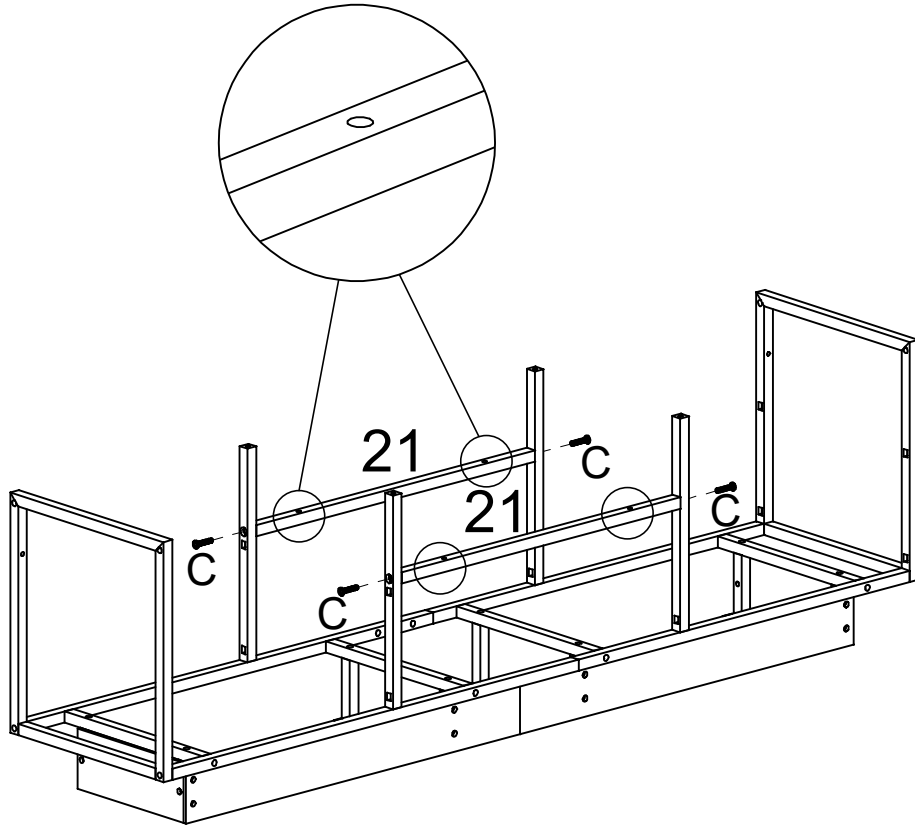


The rectangular hole closer to the edge of the steel pipe faces downwards.

C	M6X22	X4
---	-------	----

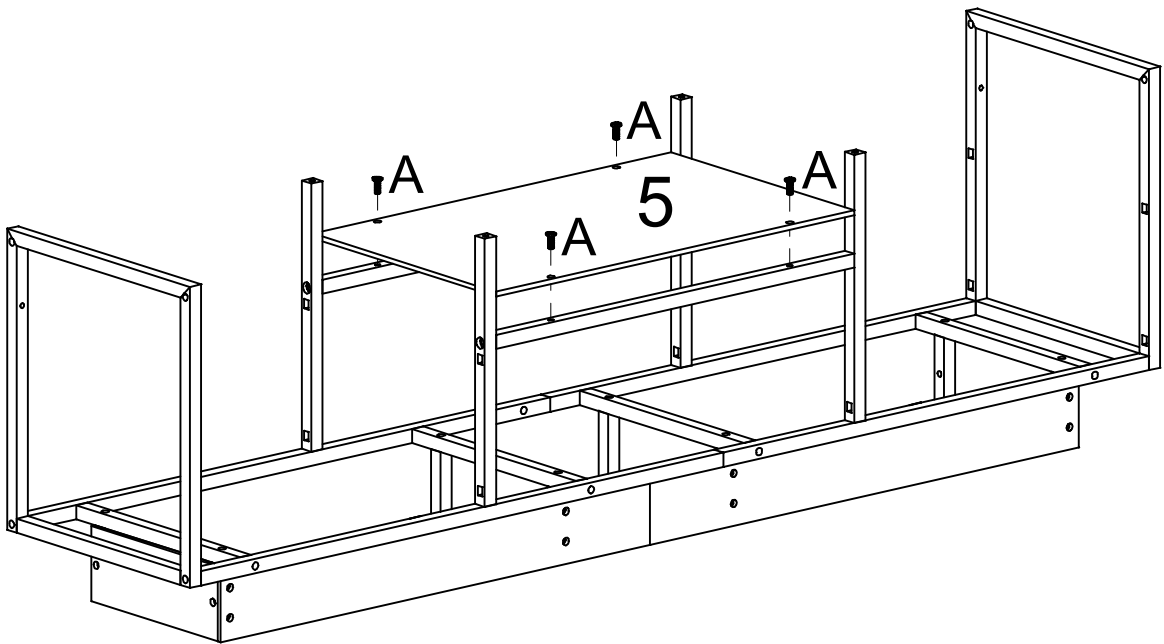
Step 9

Facing up



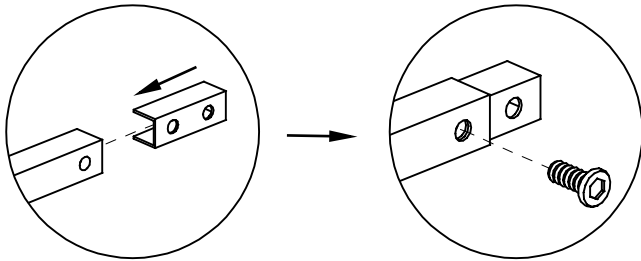
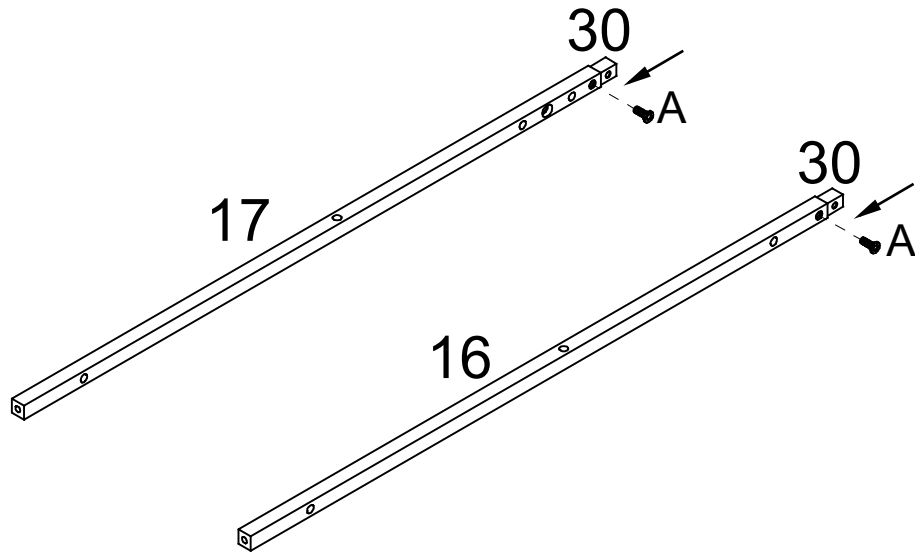
C	M6X22	X4
---	-------	----

Step 10



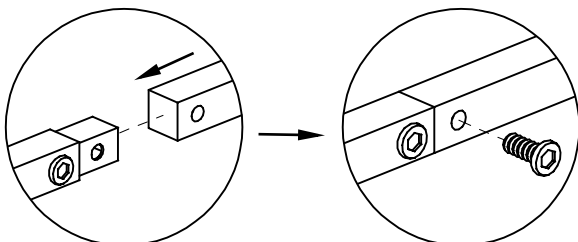
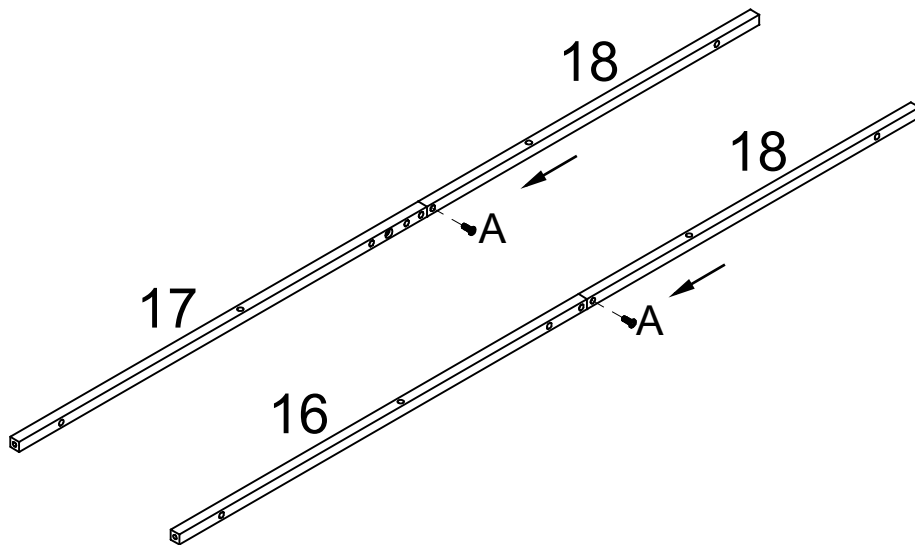
A	M6X10	X4
---	-------	----

Step 11



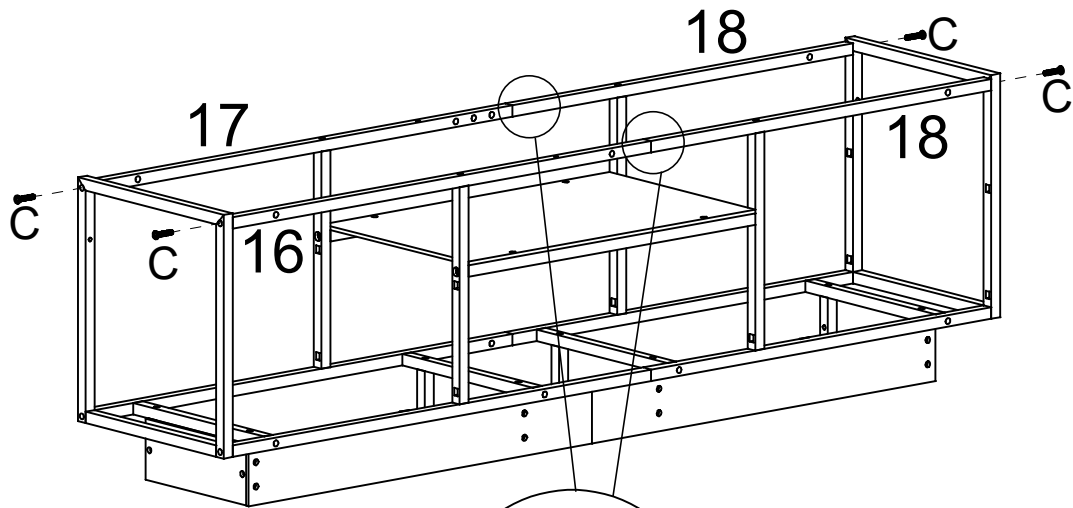
A	M6X10	X2
---	-------	----

Step 12



A	M6X10	X2
---	-------	----

Step 13



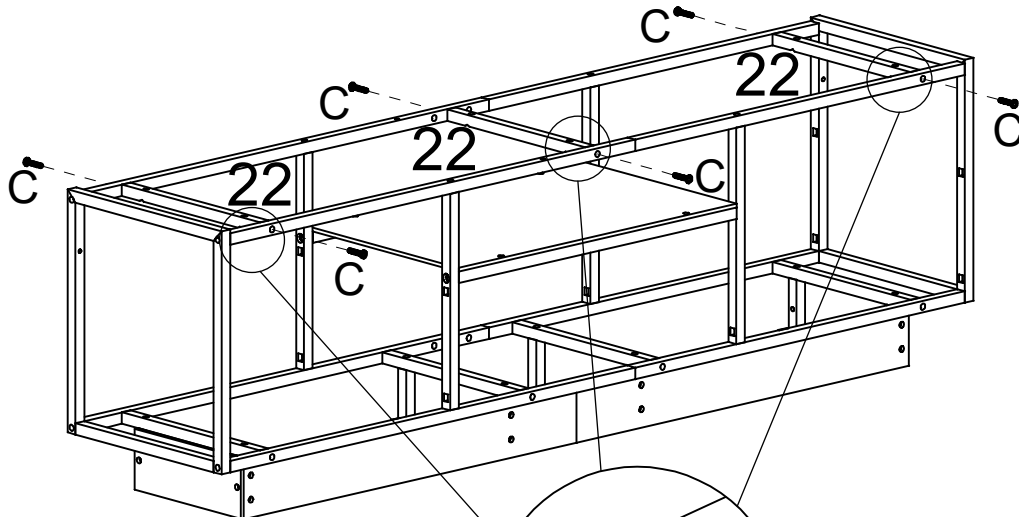
Backward



Pay attention to the number and tube orientation

C	M6X22	X4
---	-------	----

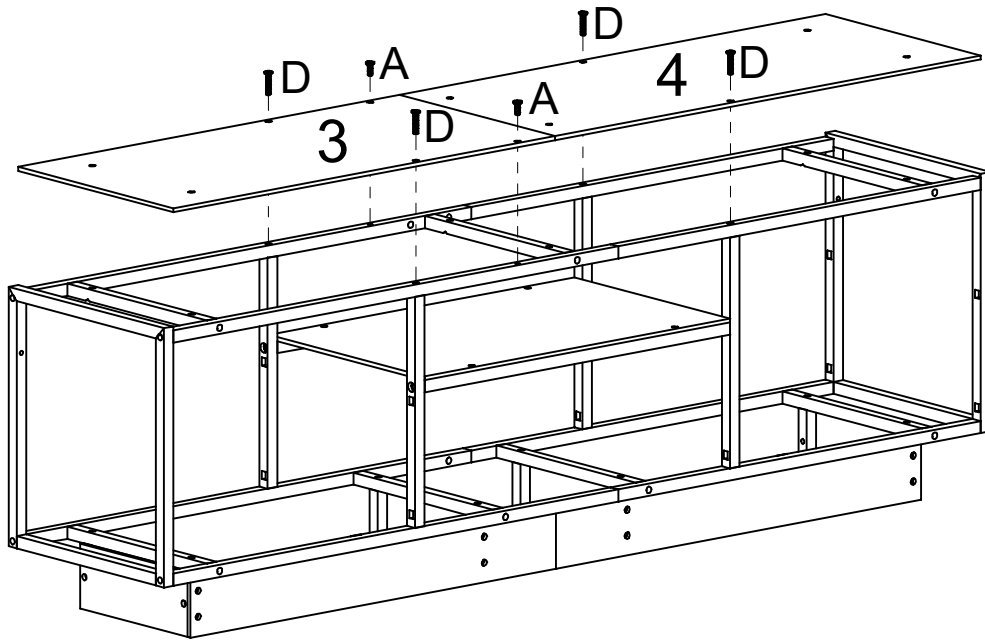
Step 14



Facing down

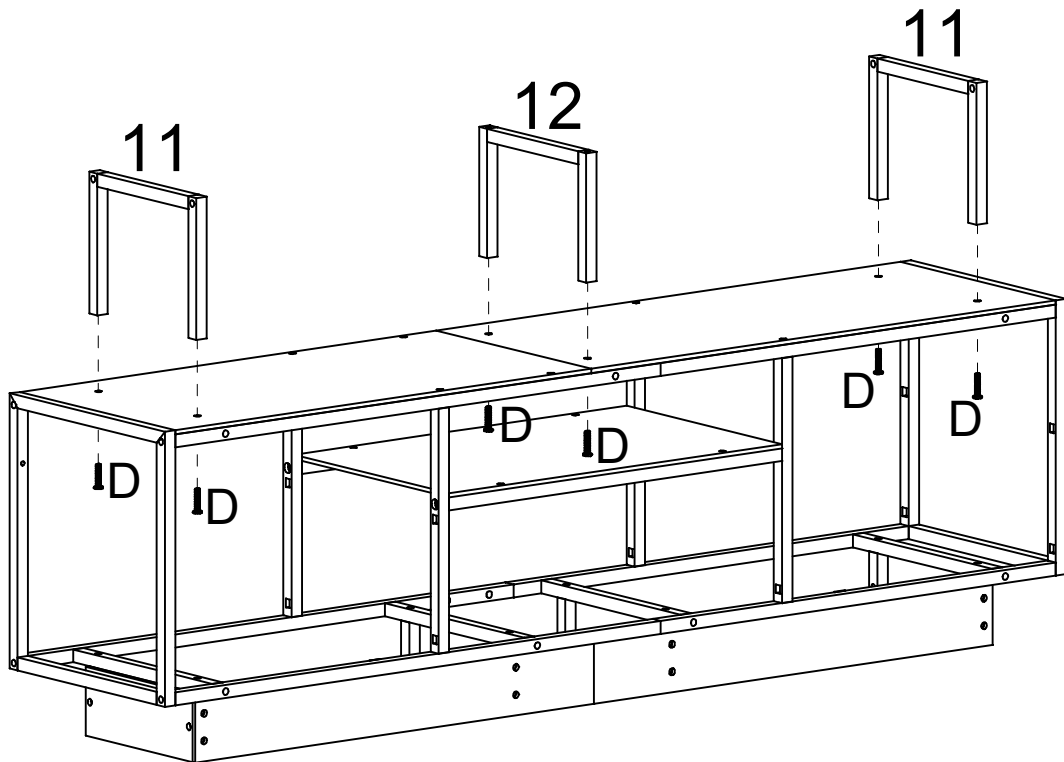
C	M6X22	X6
---	-------	----

Step 15



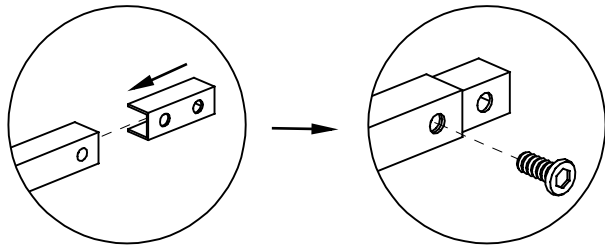
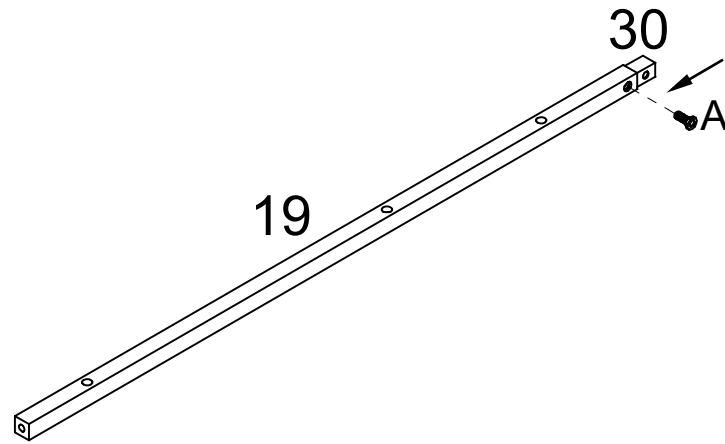
A	M6X10	X2
D	M6X28	X4

Step 16



D	M6X28	X6
---	-------	----

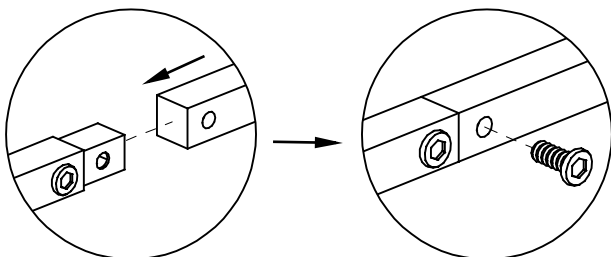
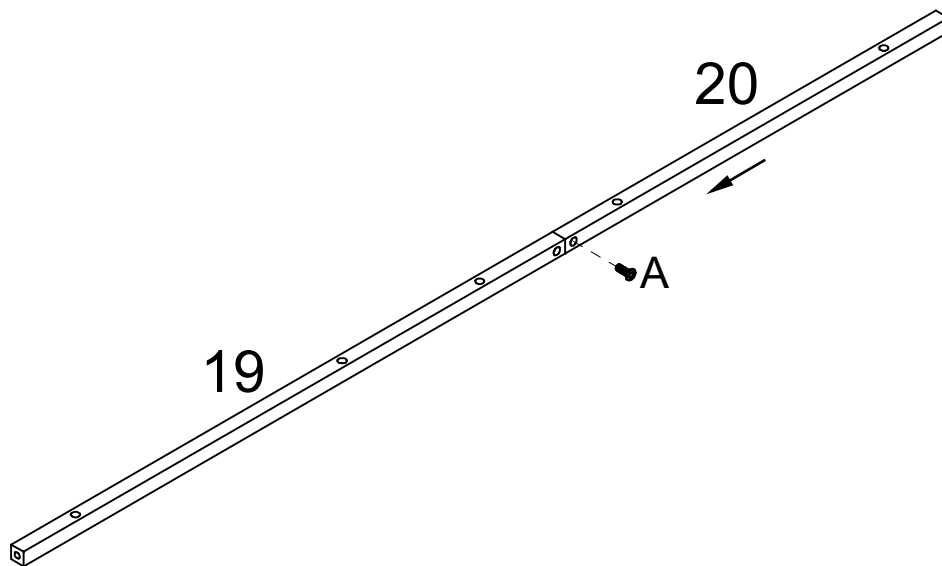
Step 17



X2

A	M6X10	X2
---	-------	----

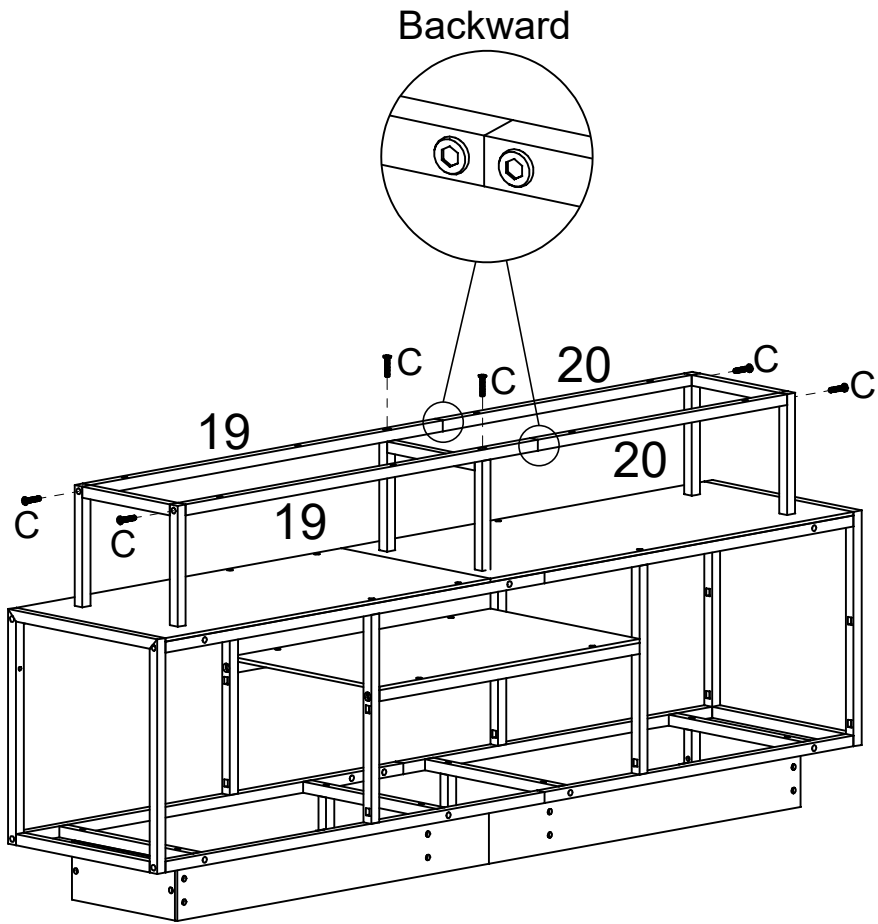
Step 18



X2

A	M6X10	X2
---	-------	----

Step 19

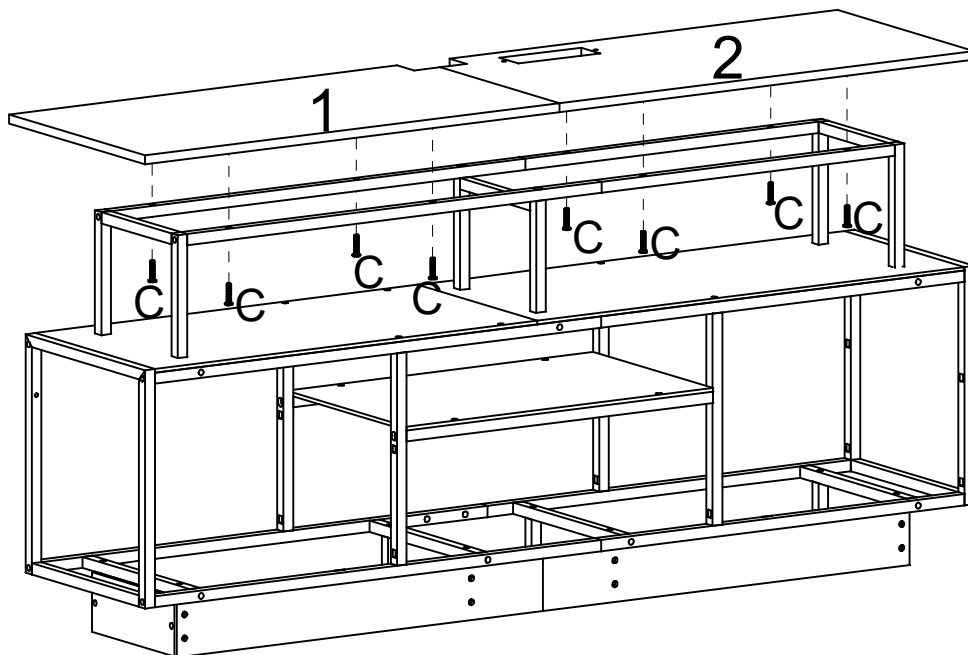


C	M6X22	X6
---	-------	----

Step 20

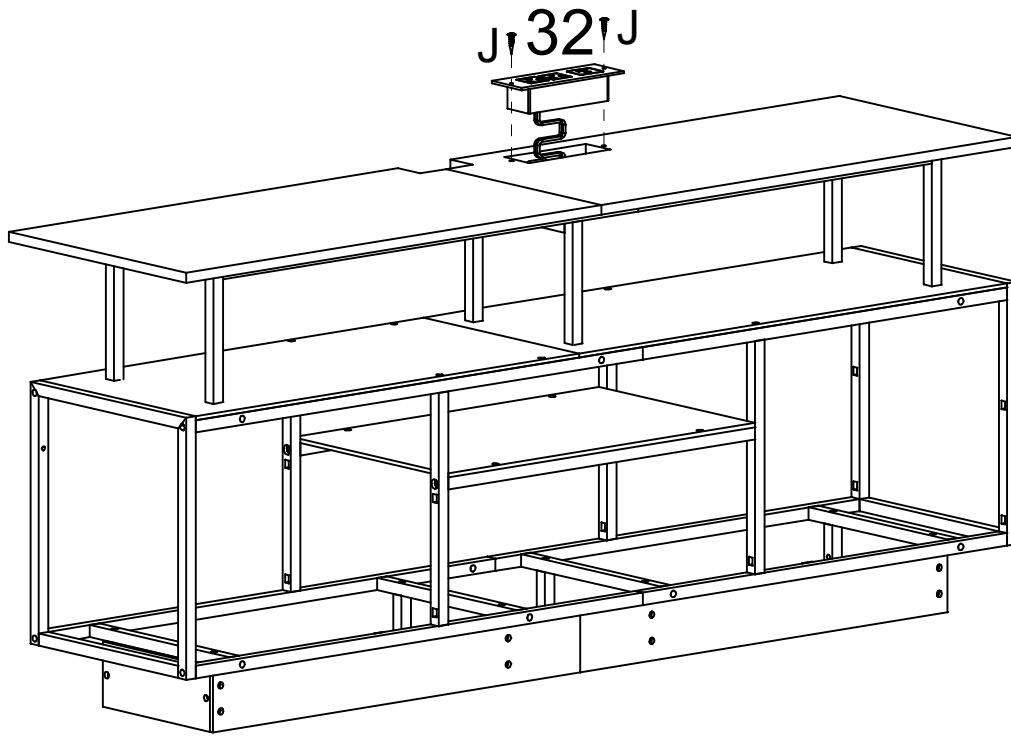


The gap is flush and then tighten the screws



C	M6X22	X8
---	-------	----

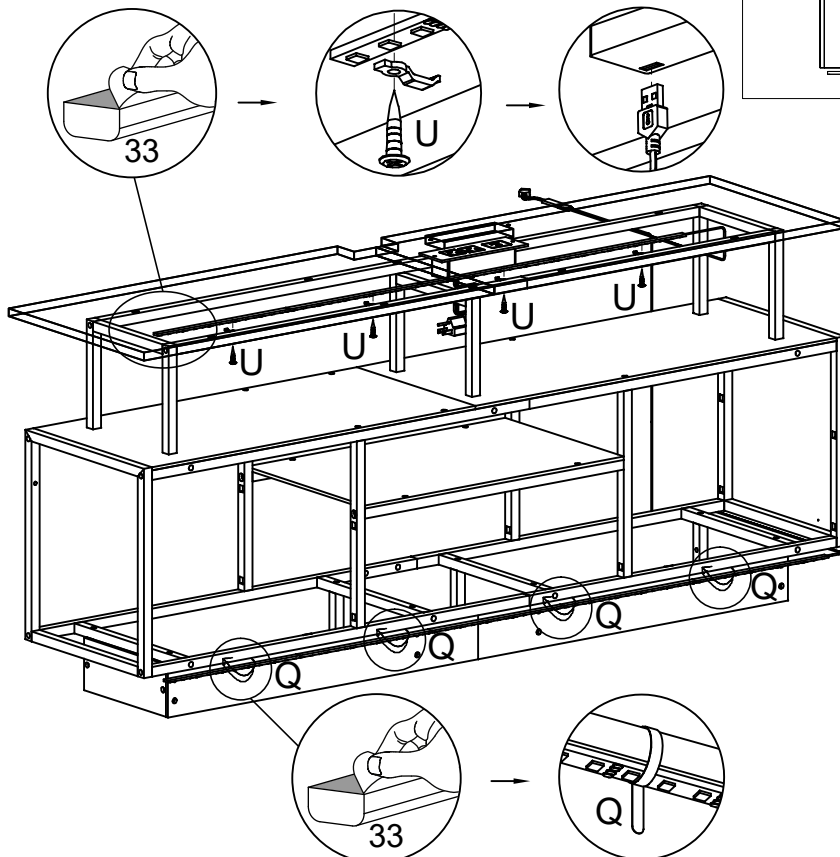
Step 21



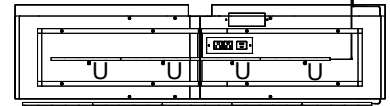
J	M4X12	X2
---	-------	----

Step 22

Rip the protective paper

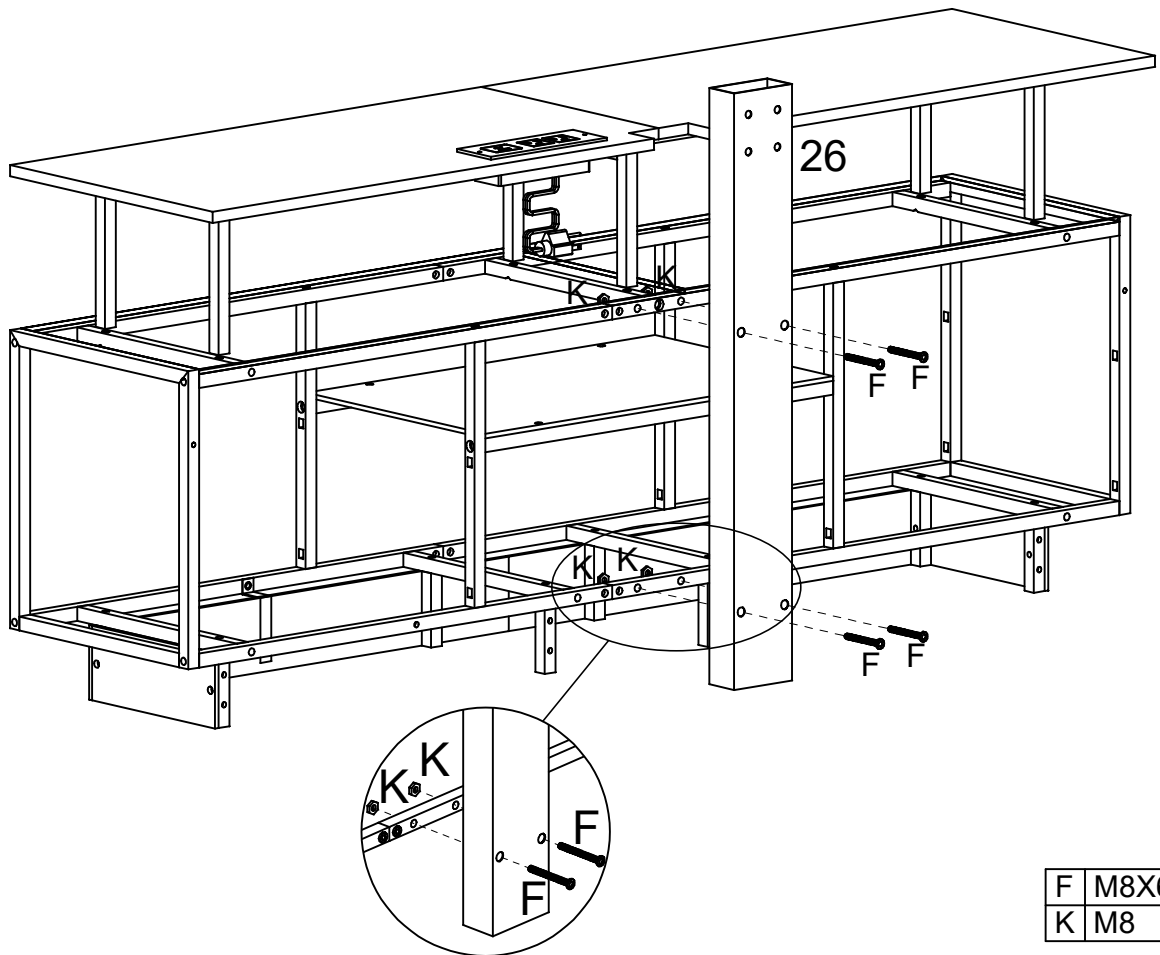


After the light strip is installed, fix the light strip on the wooden board with part U



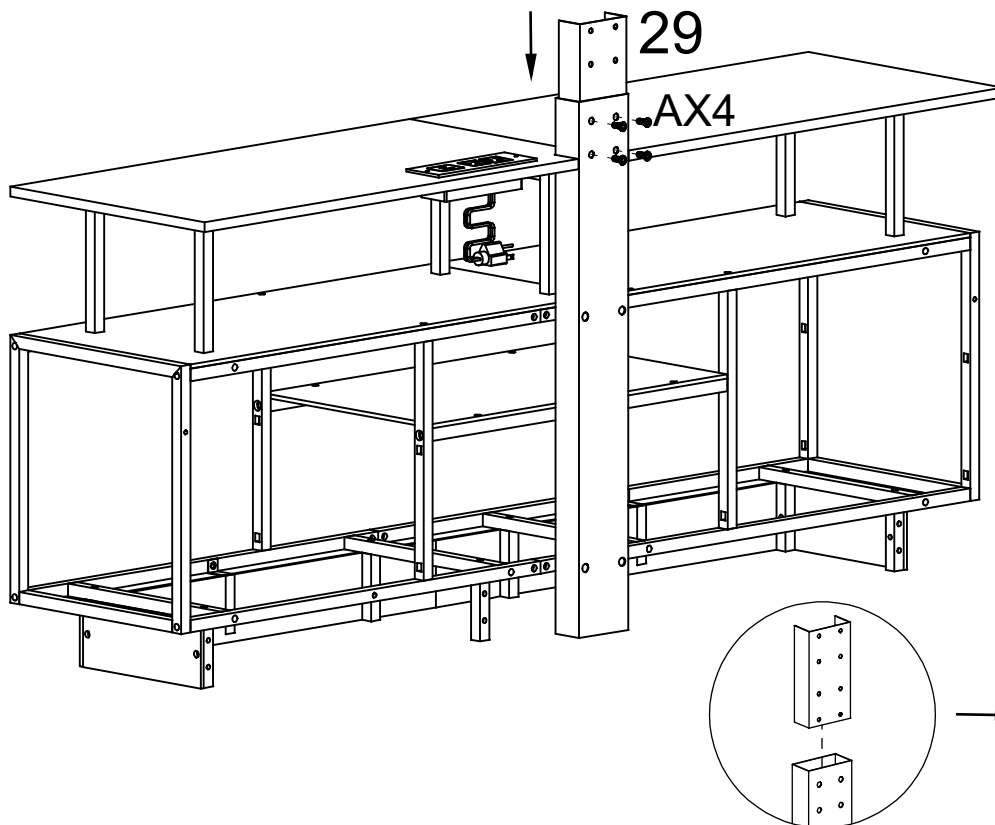
U		X4
Q		X4

Step 23



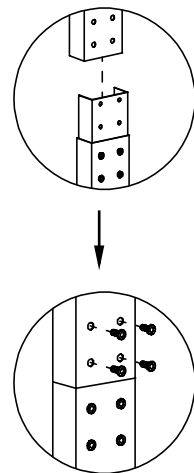
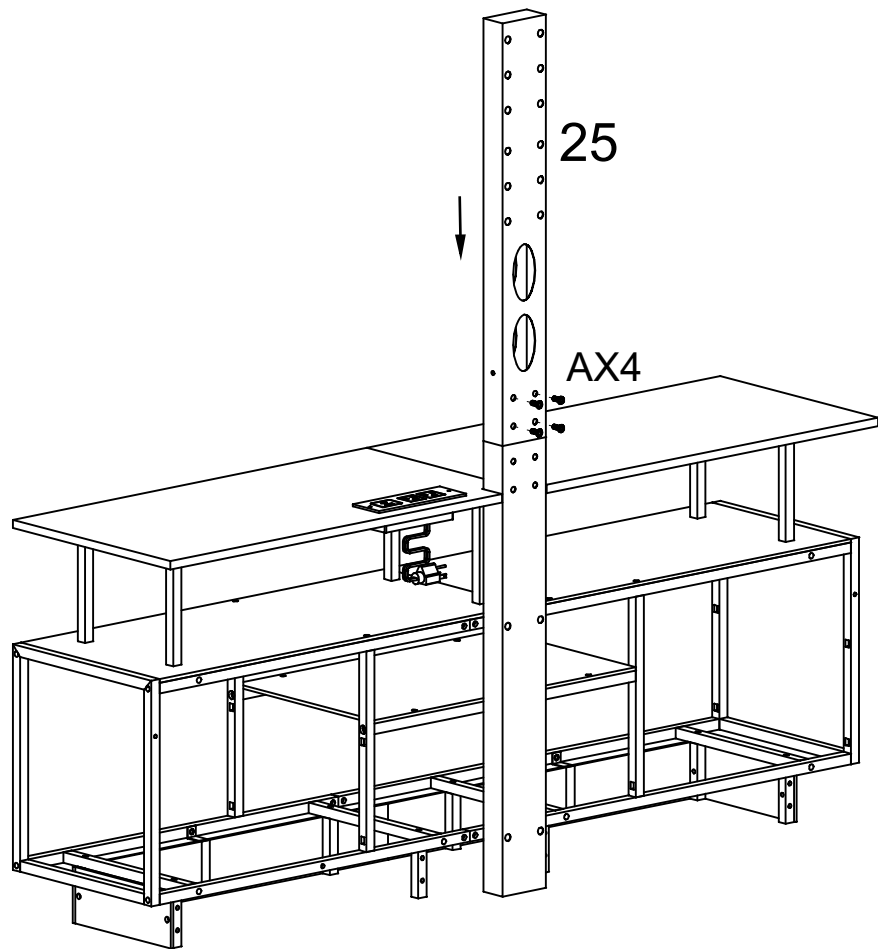
F	M8X65	X4
K	M8	X4

Step 24



A	M6X10	X4
---	-------	----

Step 25

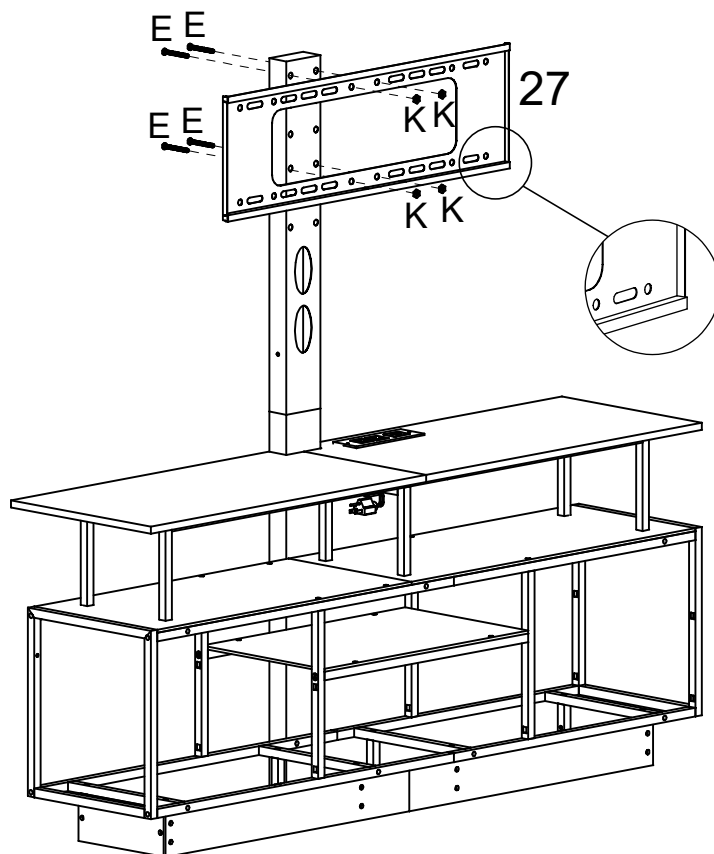


A	M6X10	X4
---	-------	----

Step 26

There are two ways to install your TV

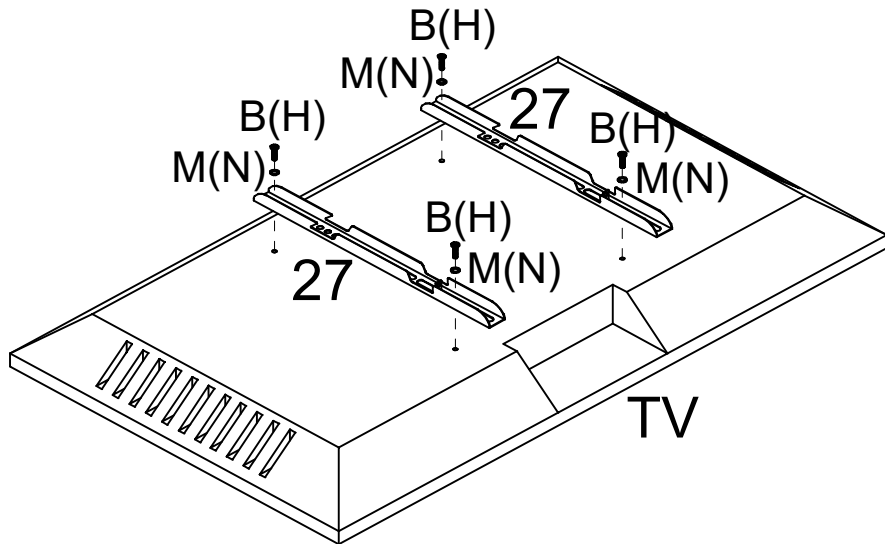
Choose the height of the installation according to the environment of your home



E	M8X50	X4
K	M8	X4

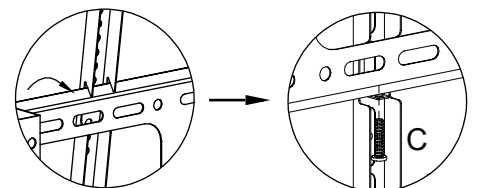
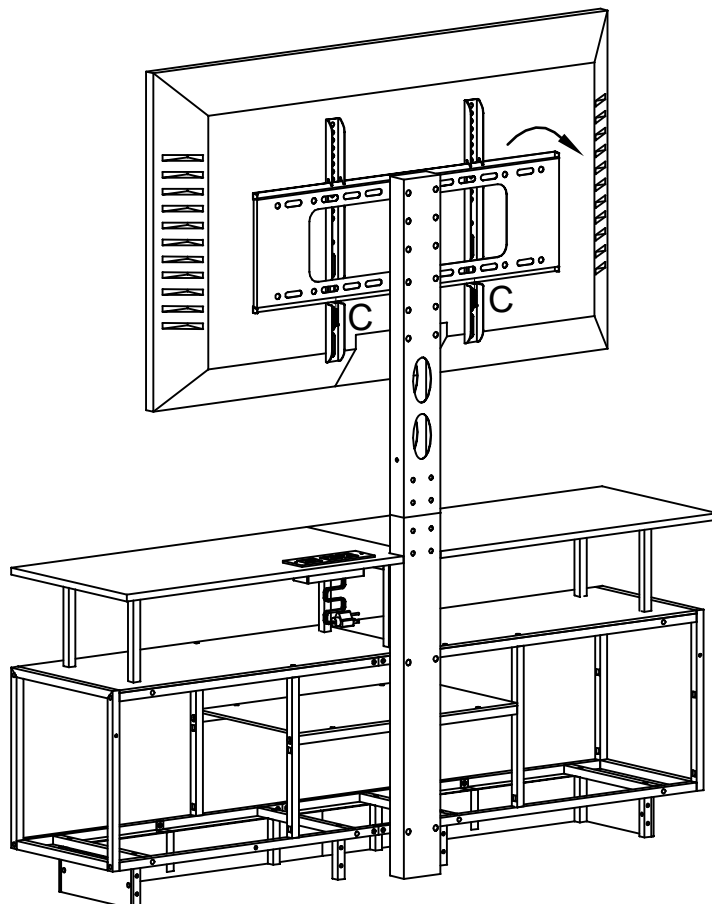
Step 27

Use the appropriate screws for your TV



	B	M6X14	X12
OR	H	M4X14	X12
	M	M6	X12
OR	N	M4	X6

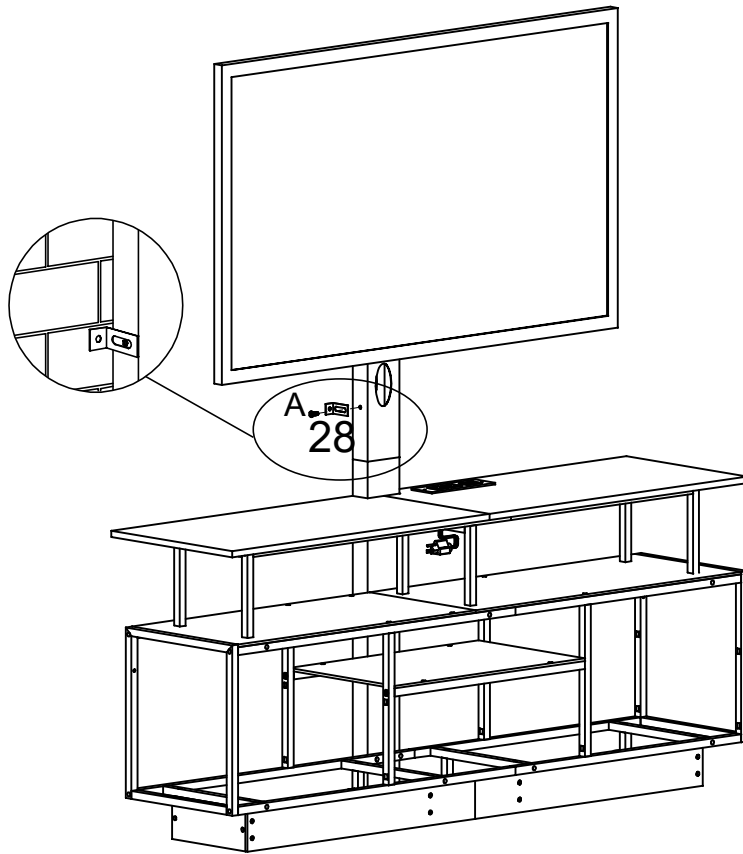
Step 28



C	M6X22	X2
---	-------	----

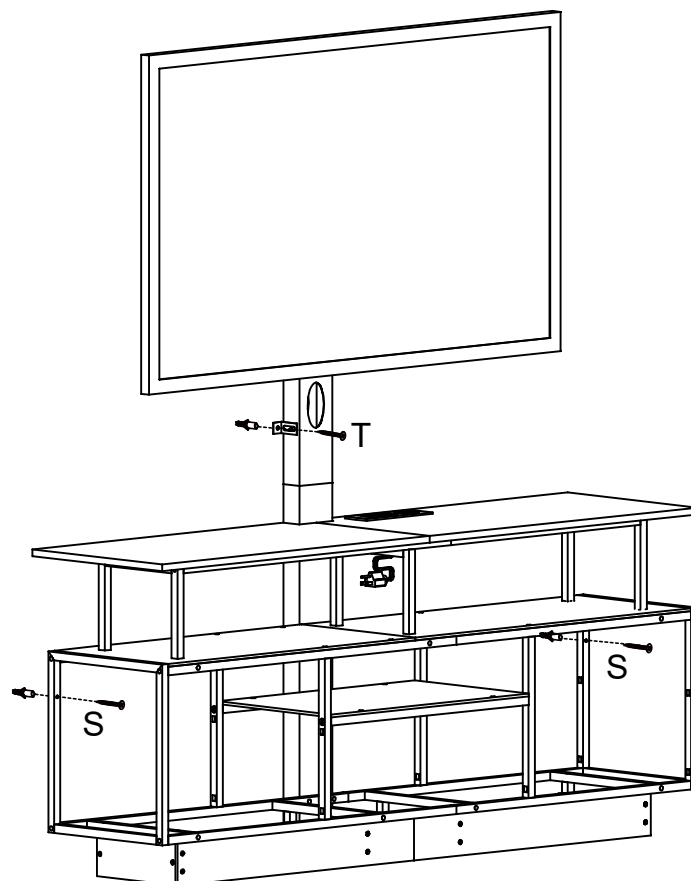
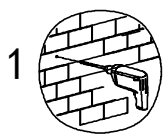
Step 29

Depending on the environment of the home,
the iron sheet is short on one side and
attached to the wall



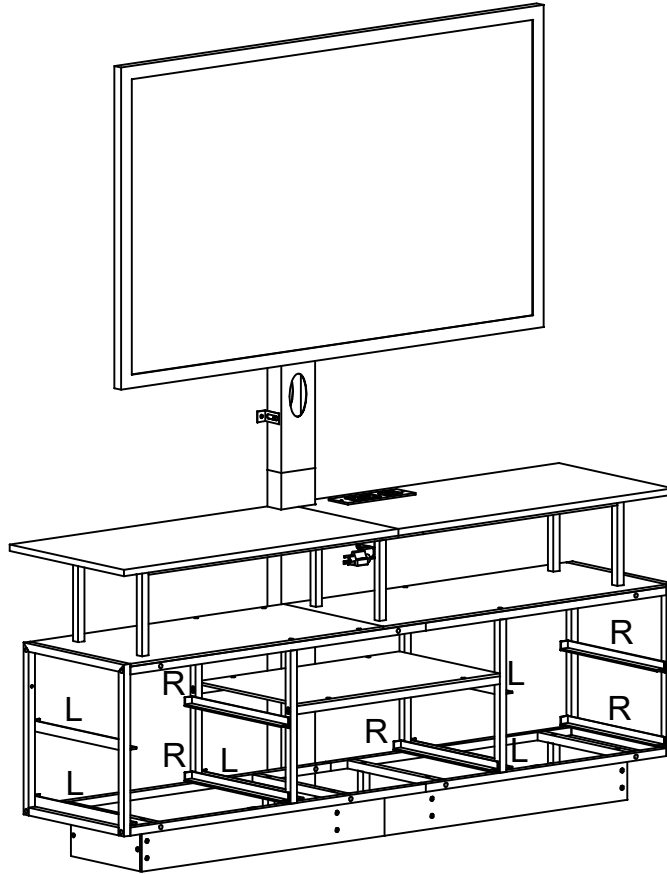
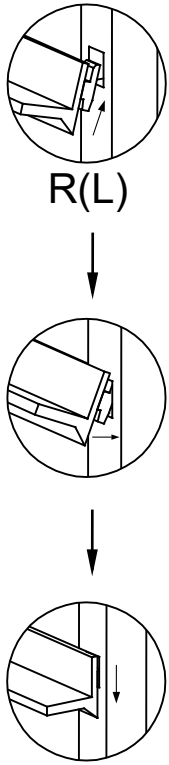
A	M6X10	X1
---	-------	----

Step 30



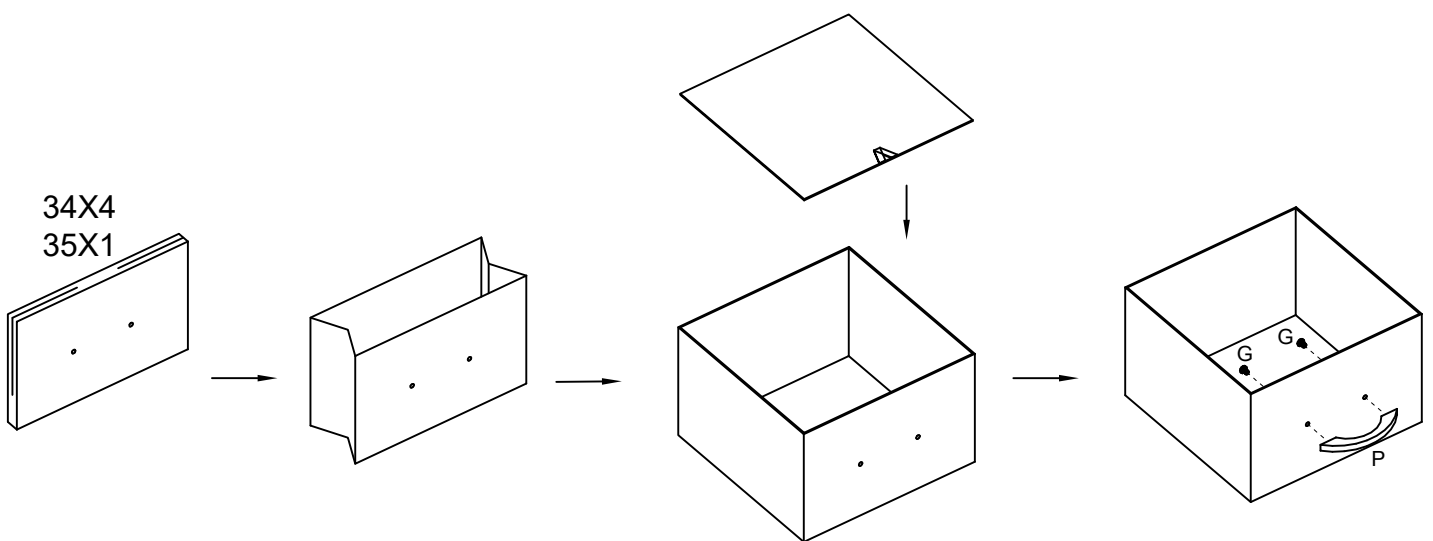
S		X2
T		X1

Step 31

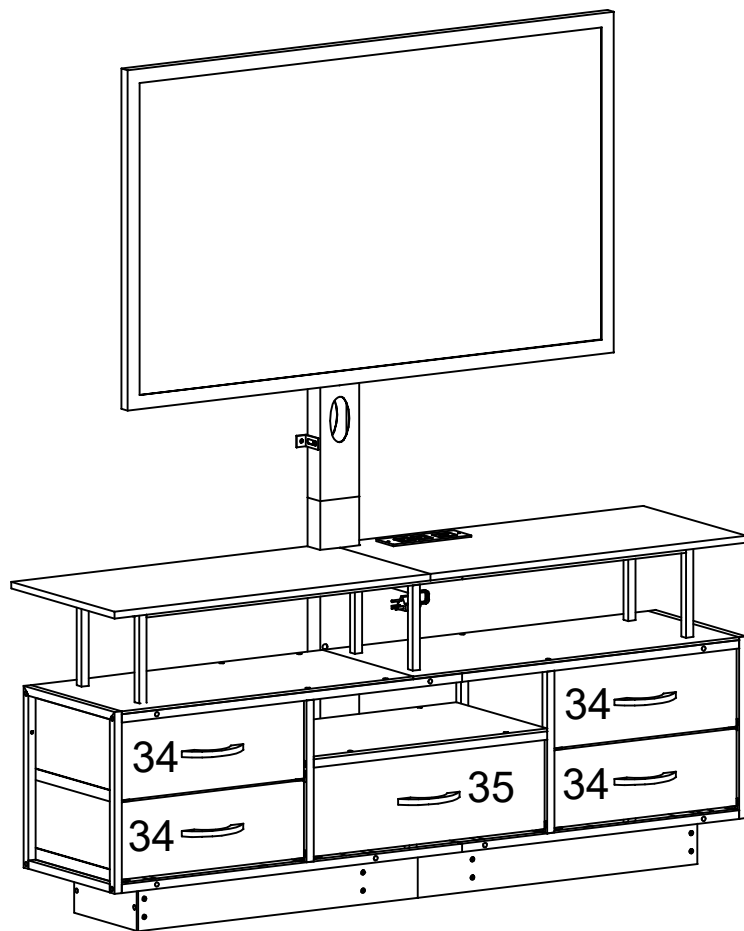


L		X5
R		X5

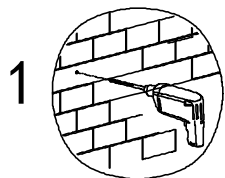
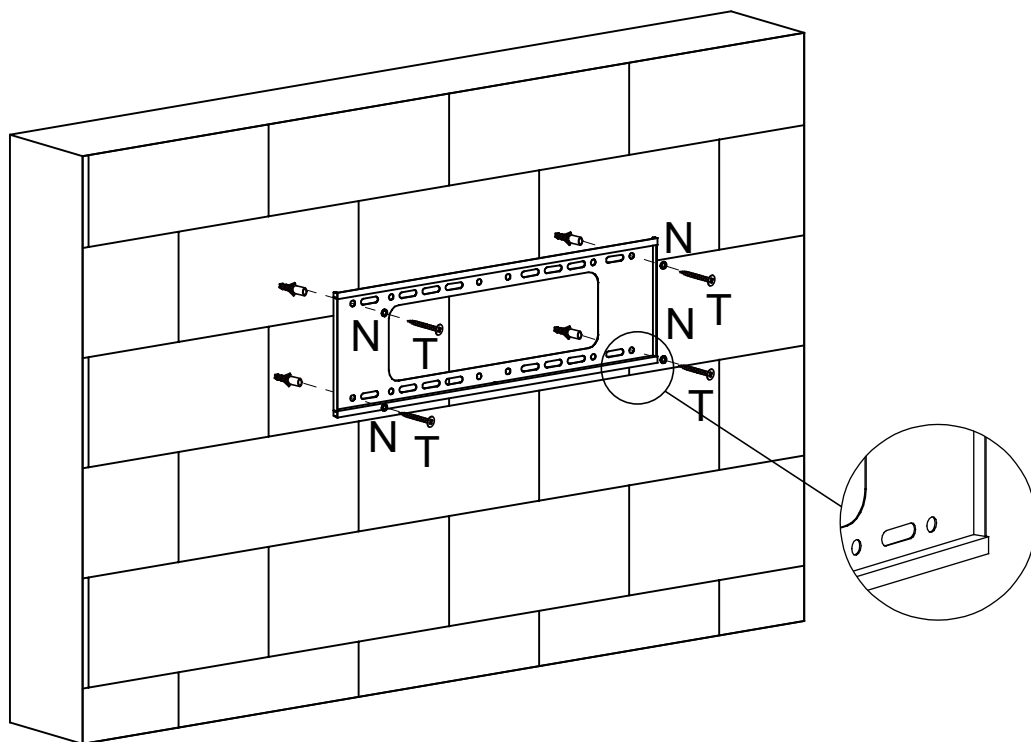
Step 32



G	M4X10	X10
P		X5



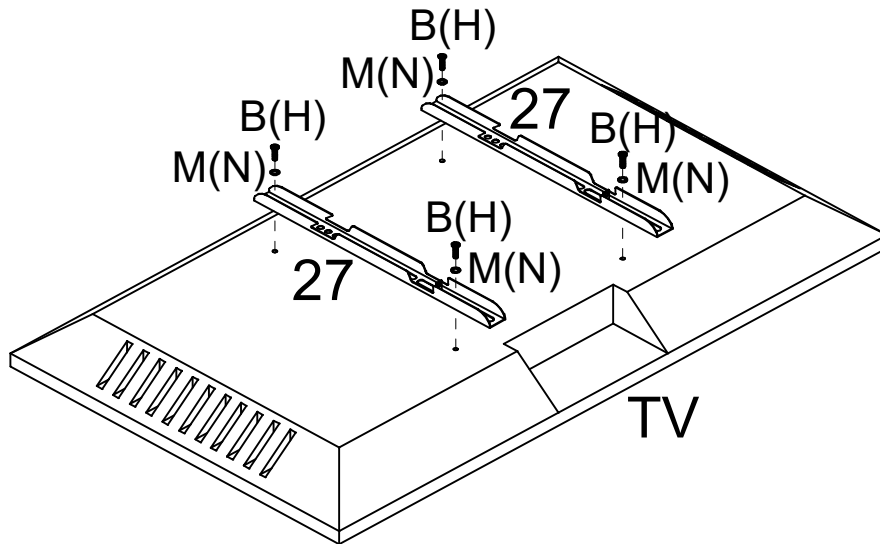
OR



N	M4	X4
T		X4

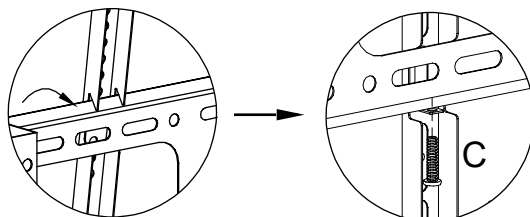
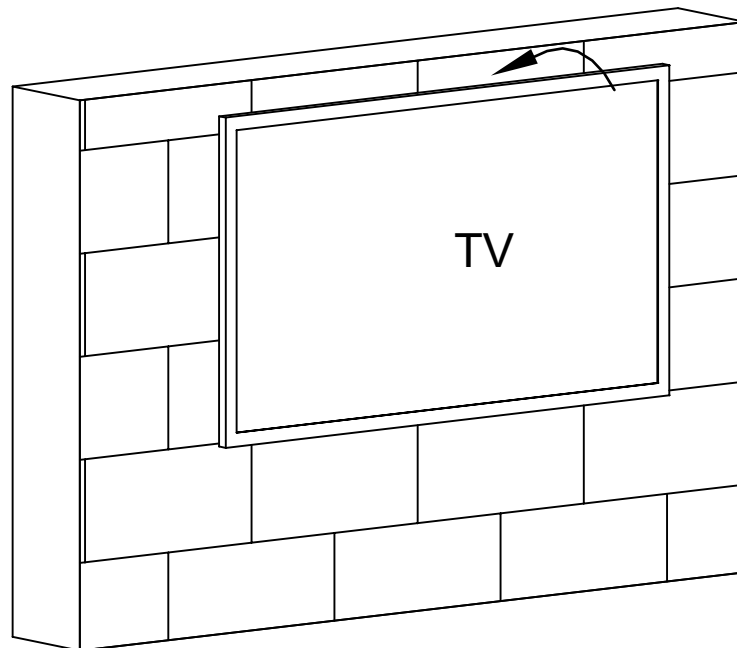
Step 27

Use the appropriate screws for your TV



	B	M6X14	X12
OR	H	M4X14	X12
	M	M6	X12
OR	N	M4	X6

Step 28



C	M6X22	X2
---	-------	----