

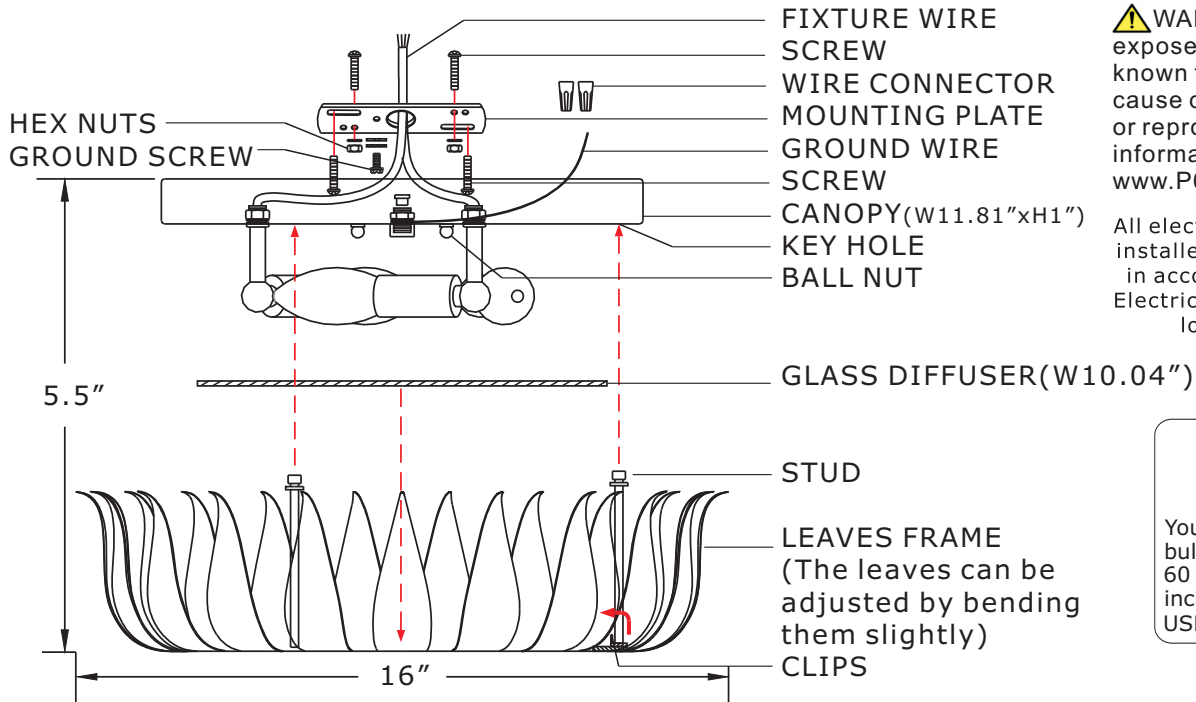
CRYSTORAMA

95 Cantiague Rock Road , Westbury, NY 11590 • toll free: 1.800.888.4470 fax: 516.931 .1254 • info@crystorama.com • www.crystorama.com

MODEL#: 510-SA ASSEMBLY AND DRESSING INSTRUCTIONS



WARNING
Electrical Danger Turn Power off

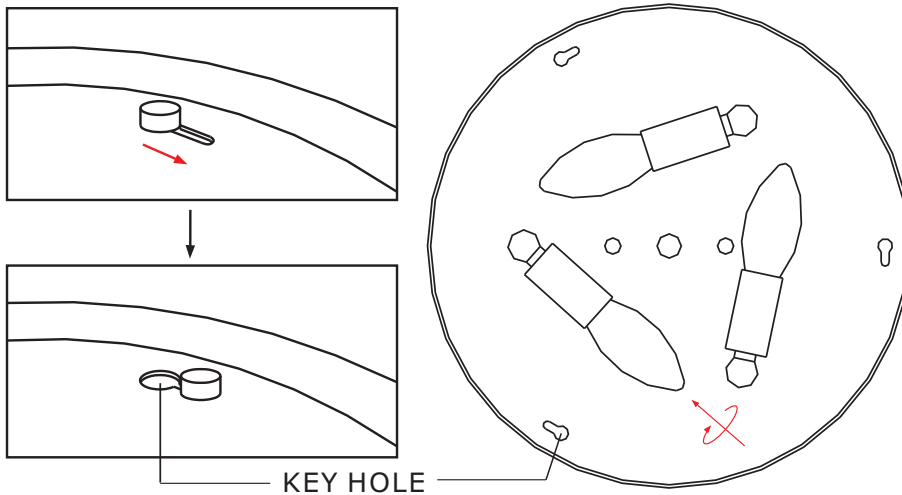


⚠ WARNING: This product can expose you to Lead, which is known to the State of California to cause cancer and/or birth defects or reproductive harm. For more information go to www.P65Warnings.ca.gov

All electrical components must be installed by a licensed electrician in accordance with the National Electric Code and the appropriate local electrical codes



You will need 3 Candelabra bulbs. 40 Watts recommended 60 Watts max. Bulb not included.
USE LED FOR EXTENDED USE



ASSEMBLY STEPS:

1. Attach the canopy onto the outlet box and secure it by ball nuts.
2. Install bulbs onto sockets.
3. Put the glass diffuser onto the bottom of leaves frame and secure it with clips.
4. Raise the leaves frame up to the ceiling and align the stud with the key hole onto the canopy and twist lock it in clockwise direction (see illustration).

HOW TO REPLACE THE BULB:

Take the leaves frame off by twisting it in counter clockwise direction.