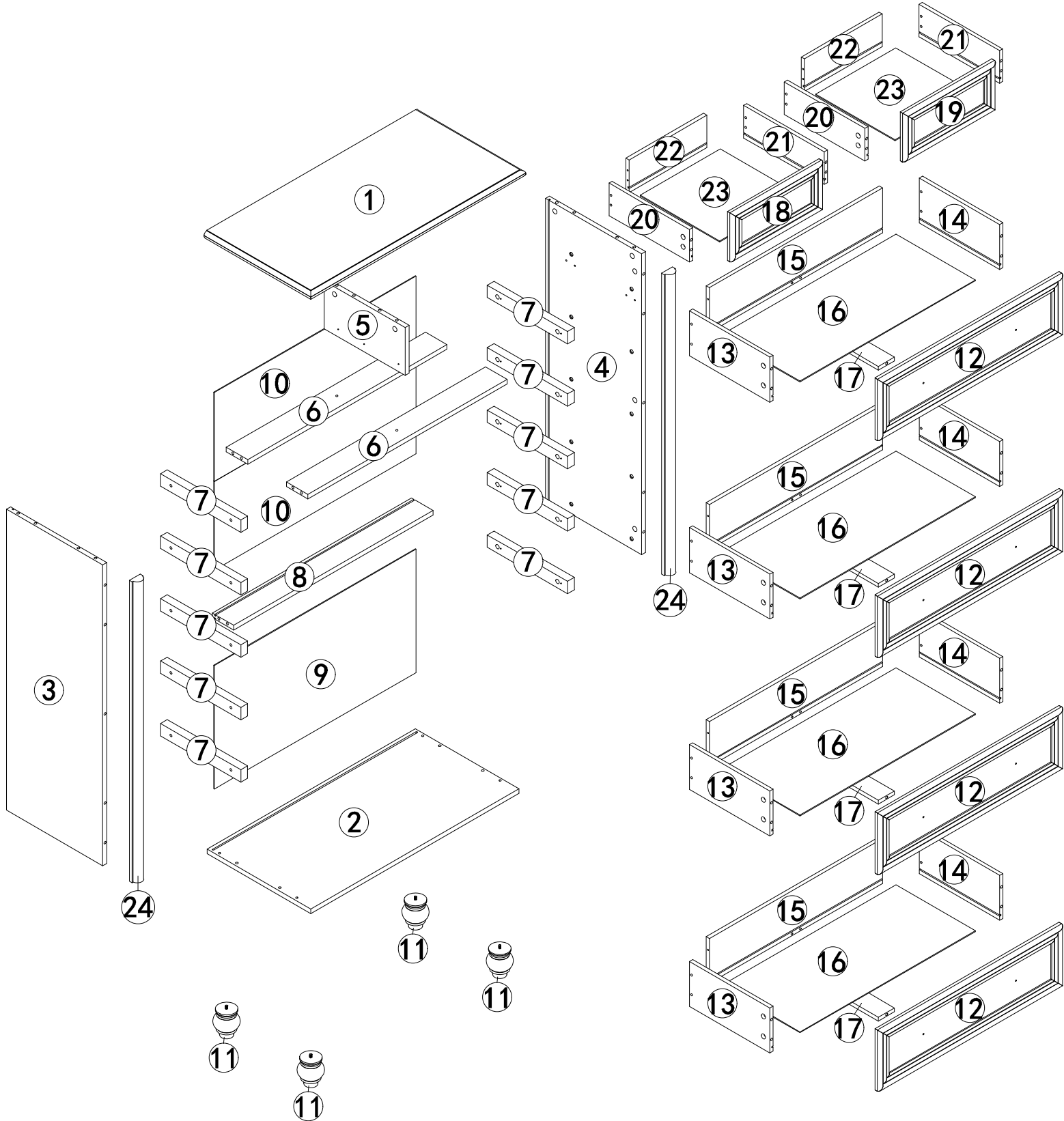


Assembly Instructions

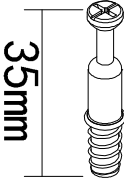

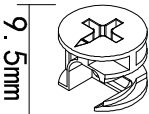

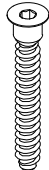
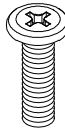
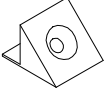

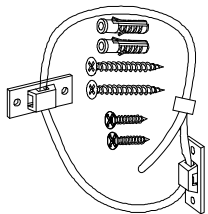

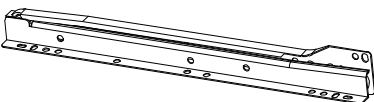


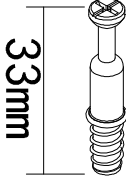
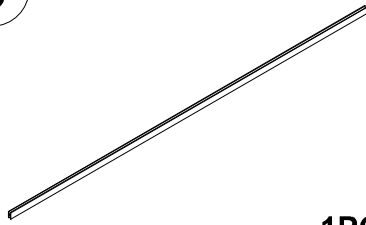
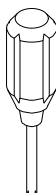



Instructions for use: The cabinet legs should be designed to avoid lateral stress. When moving, please lift vertically off the ground. Dragging may cause loose connectors, affecting stability and service life

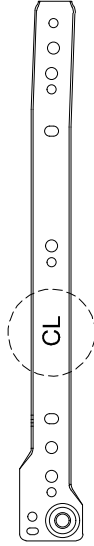
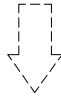
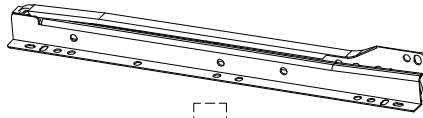
PART LIST



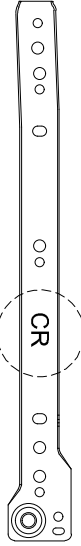
HARDWARE LIST

<p>A</p>  <p>35mm</p> <p>Ø6x35mm (24+2)PCS</p>	<p>B</p>  <p>11.5mm</p> <p>Ø15x11.5mm (24+2)PCS</p>	<p>C</p>  <p>9.5mm</p> <p>Ø15x9.5mm (28+2)PCS</p>
<p>D</p>  <p>Ø8x30mm (14+2)PCS</p>	<p>E</p>  <p>Ø5x40mm (38+2)PCS</p>	<p>F</p>  <p>Ø6x25mm (20+1)PCS</p>
<p>G</p>  <p>(10+1)PCS</p>	<p>H</p>  <p>Ø3x15mm (10+1)PCS</p>	<p>I</p>  <p>2PCS</p>
<p>J</p>  <p>Ø3x12mm (72+4)PCS</p>	<p>K</p>  <p>6SET</p>	<p>L</p>  <p>10PCS</p>
<p>M</p>  <p>Ø4x12mm 10PCS</p>	<p>N</p>  <p>33mm</p> <p>Ø6x33mm (28+2)PCS</p>	<p>O</p>  <p>1PC</p>
 <p>1PC</p>	 <p>1PC</p>	

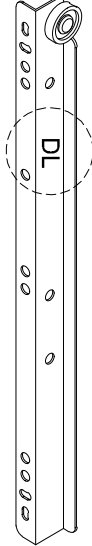
! K X 6SET



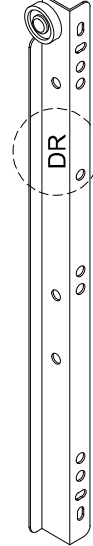
CL



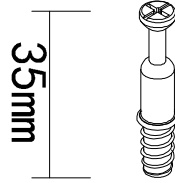
CR



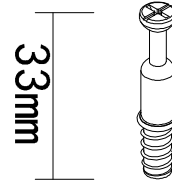
DL



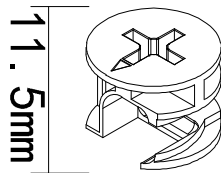
DR



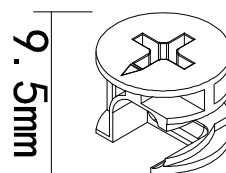
A



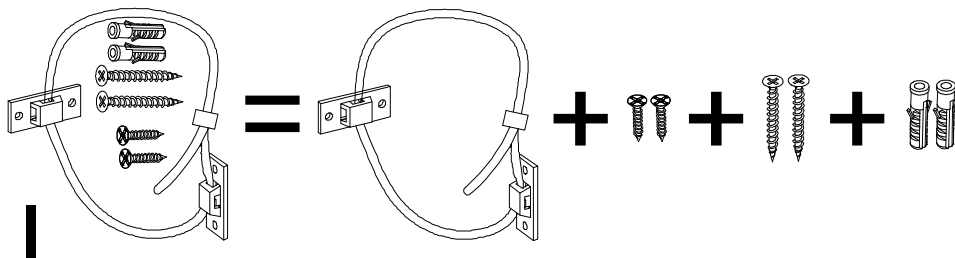
N



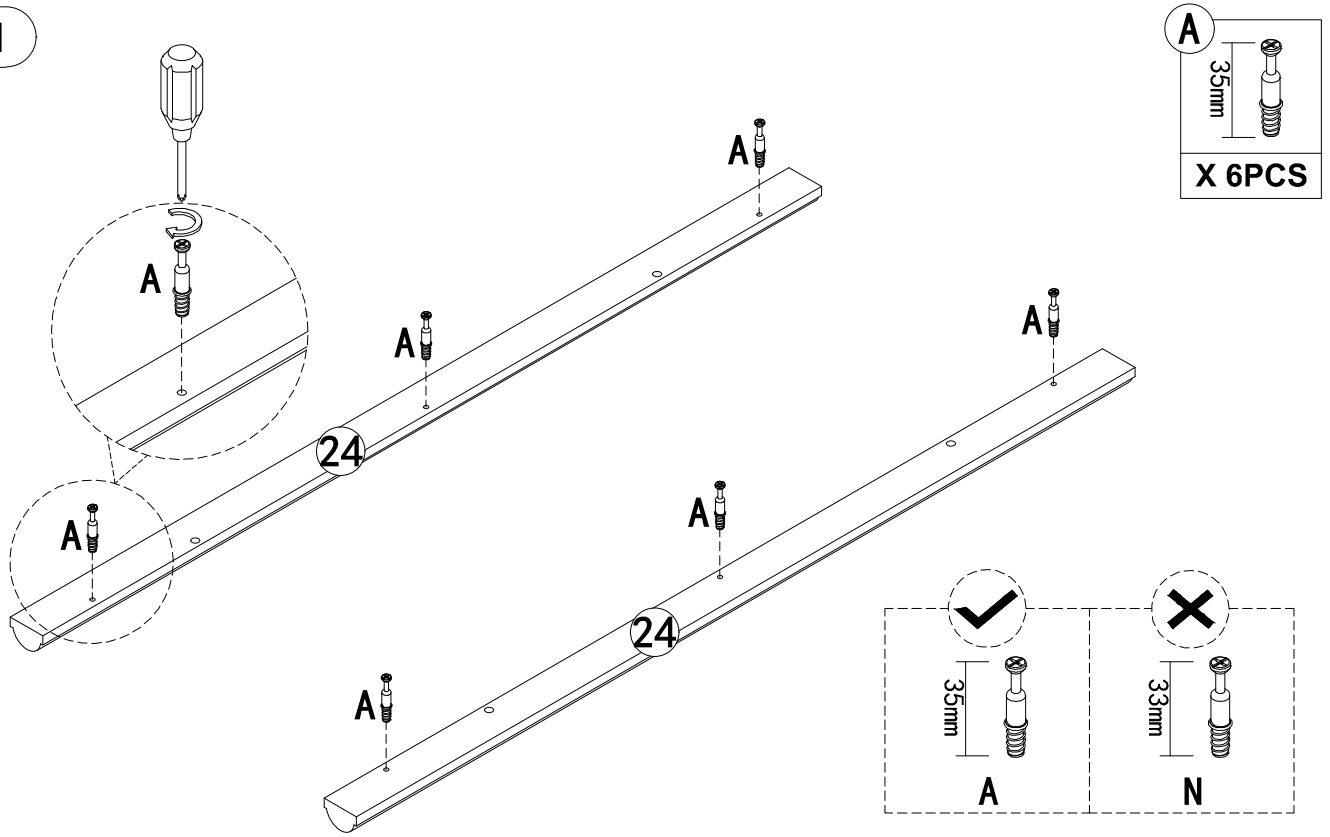
B



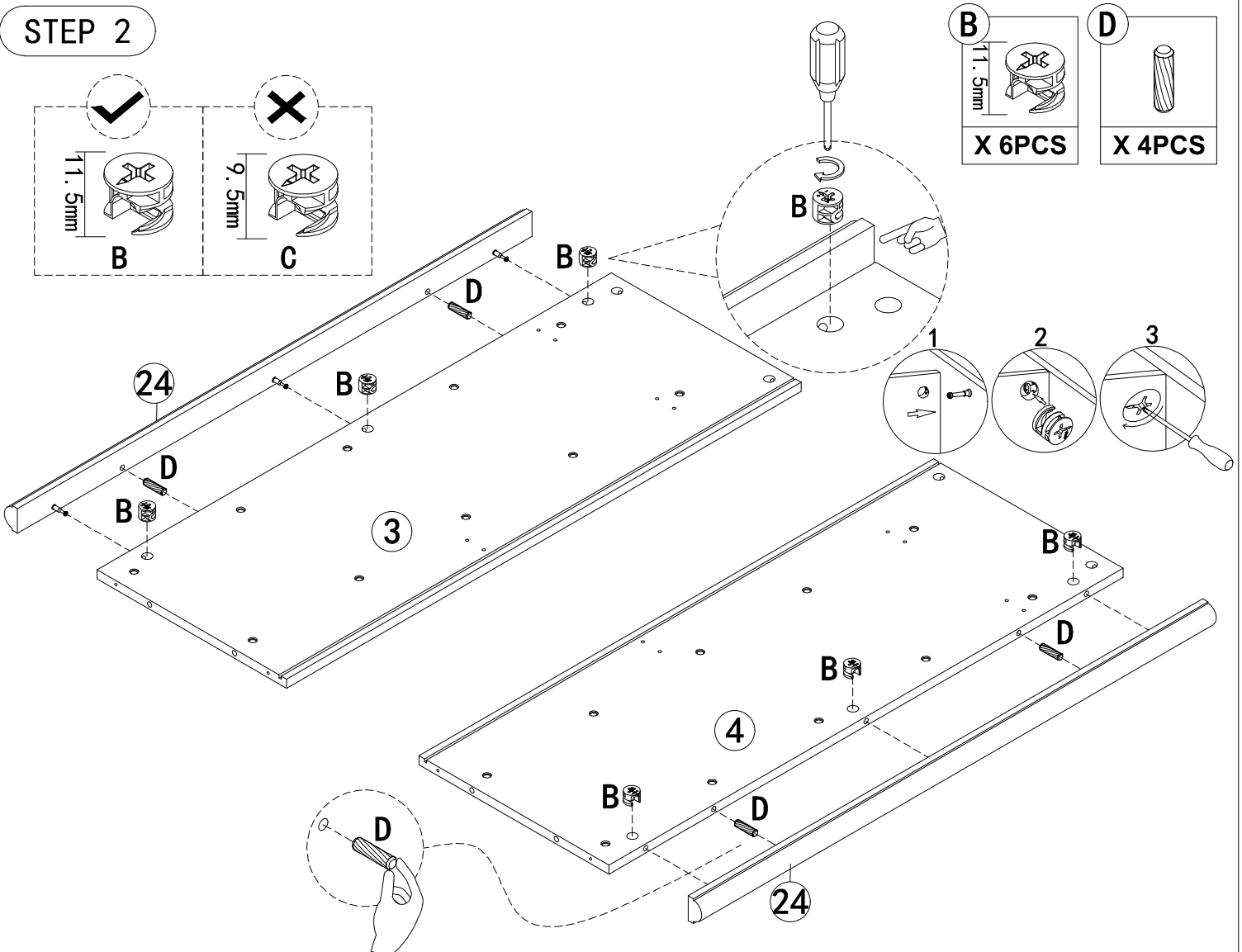
C



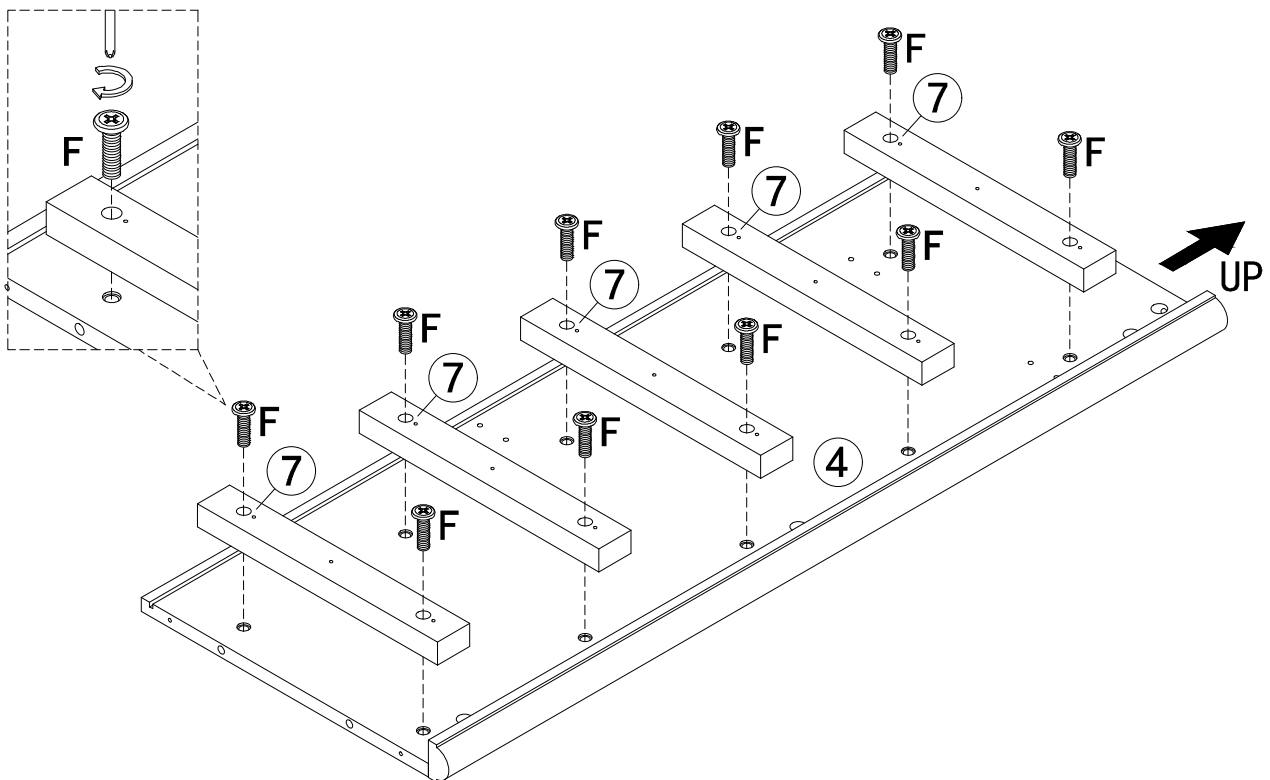
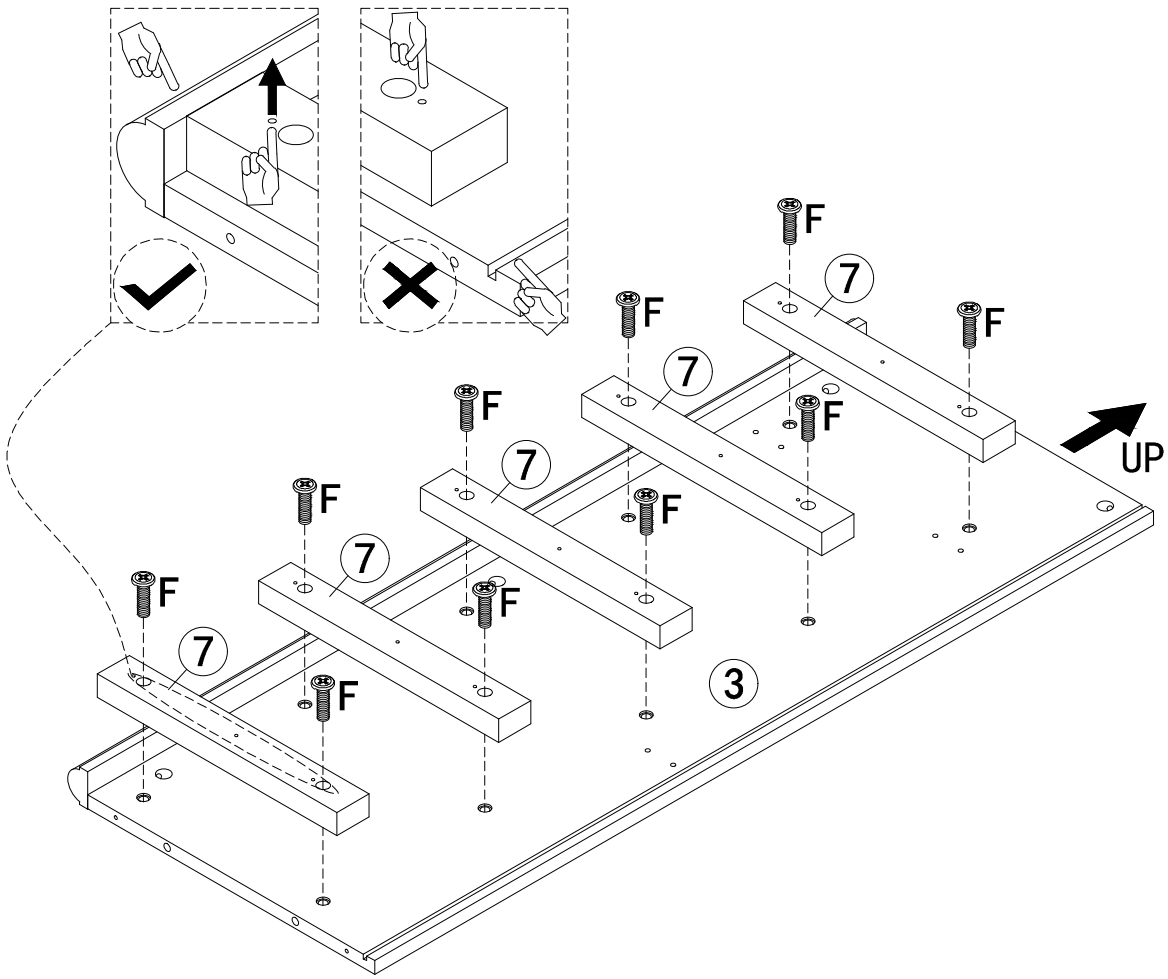
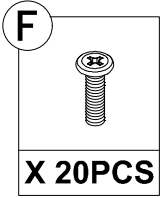
STEP 1



STEP 2

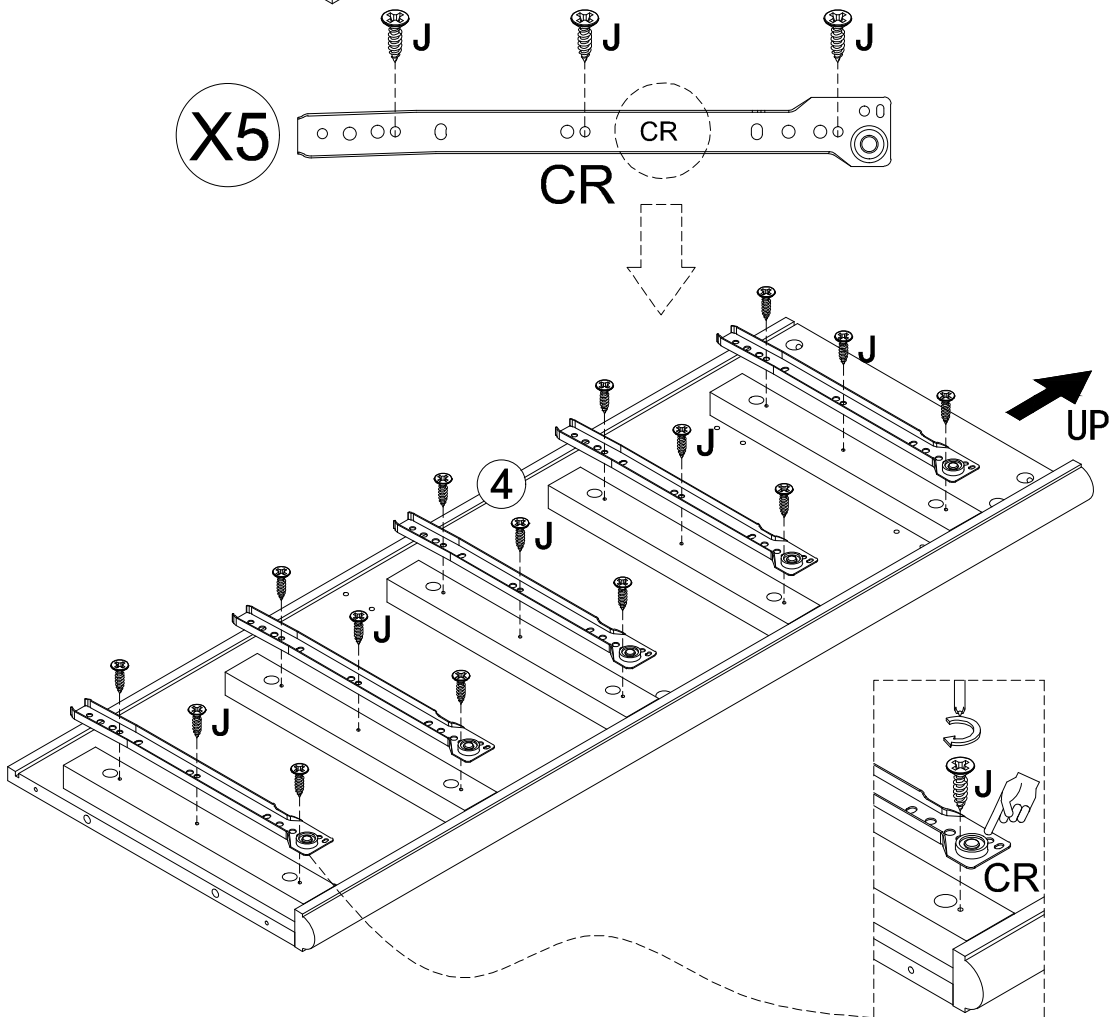
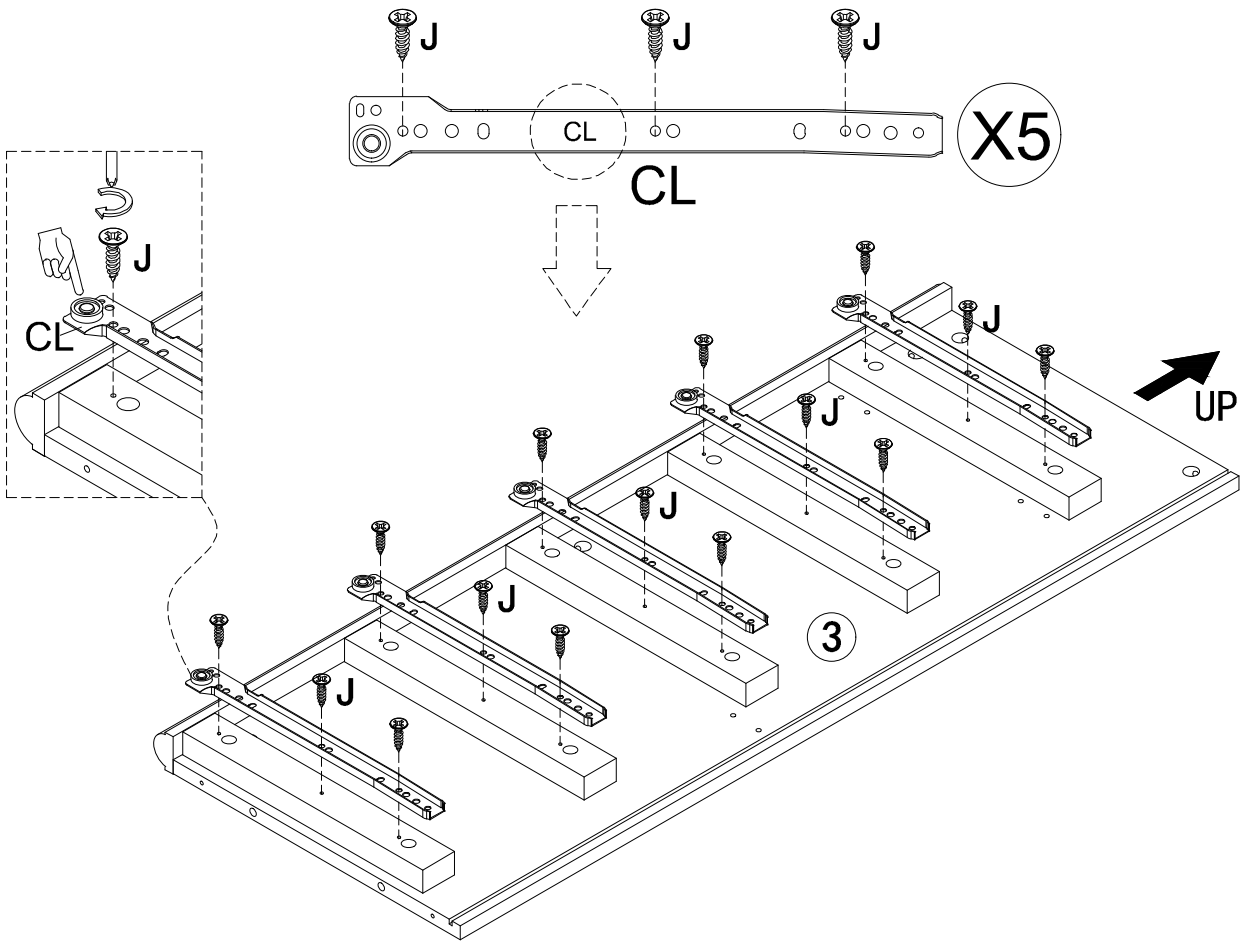


STEP 3

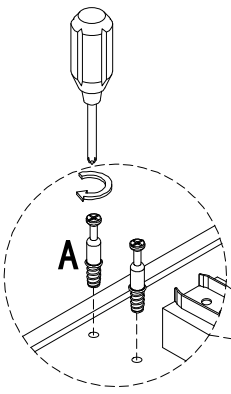
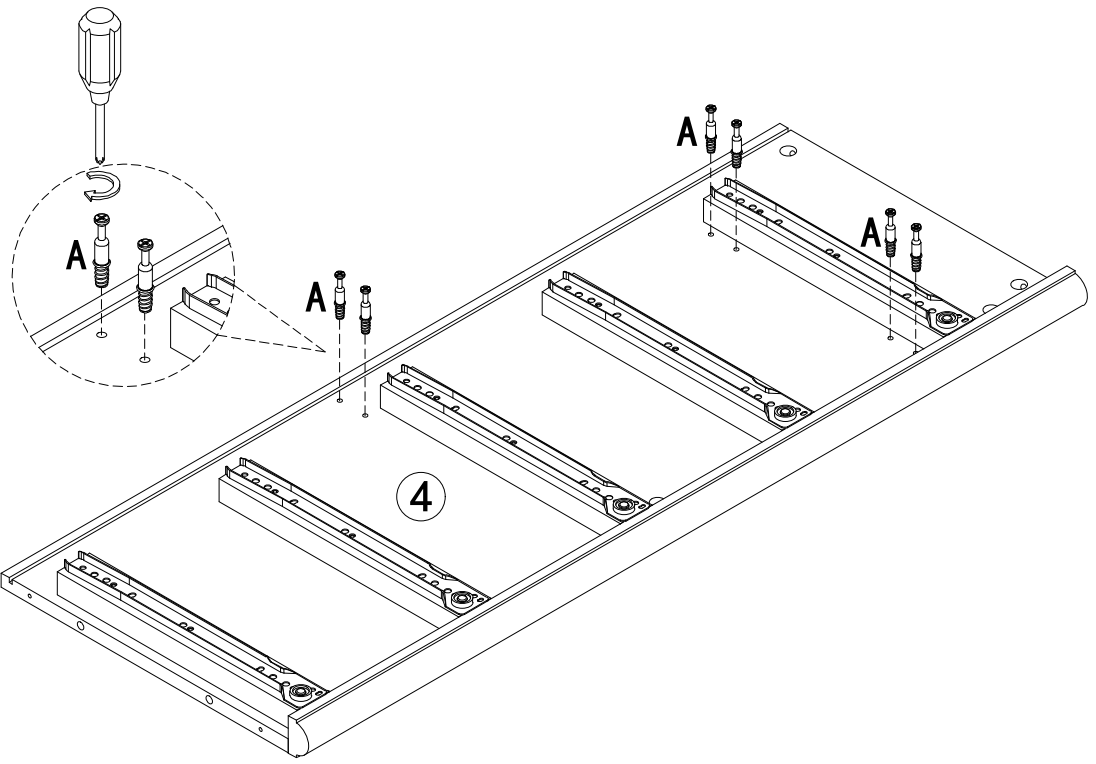
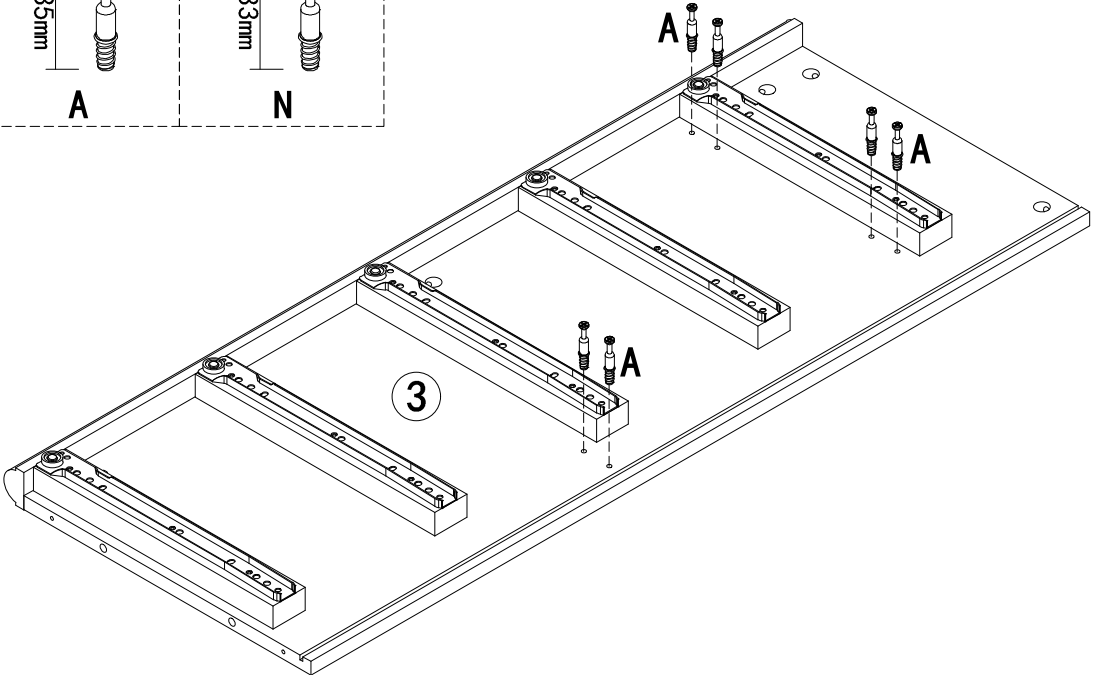
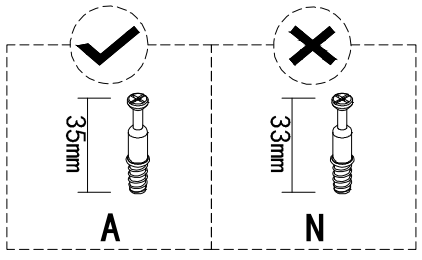
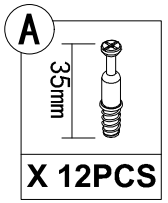


STEP 4

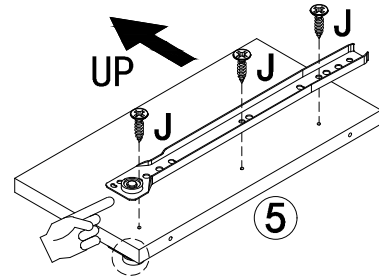
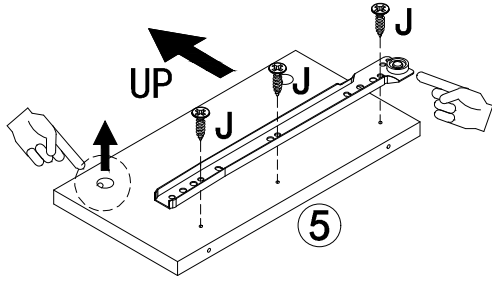
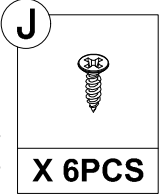
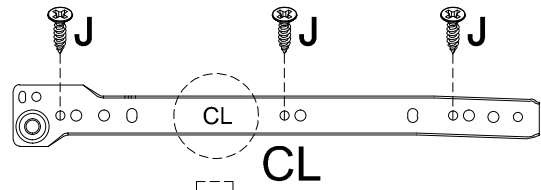
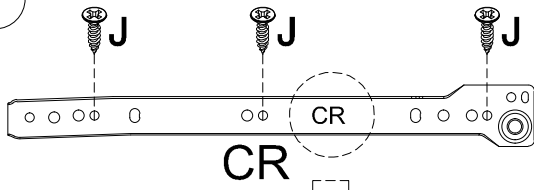
J
X 30PCS



STEP 5



STEP 6

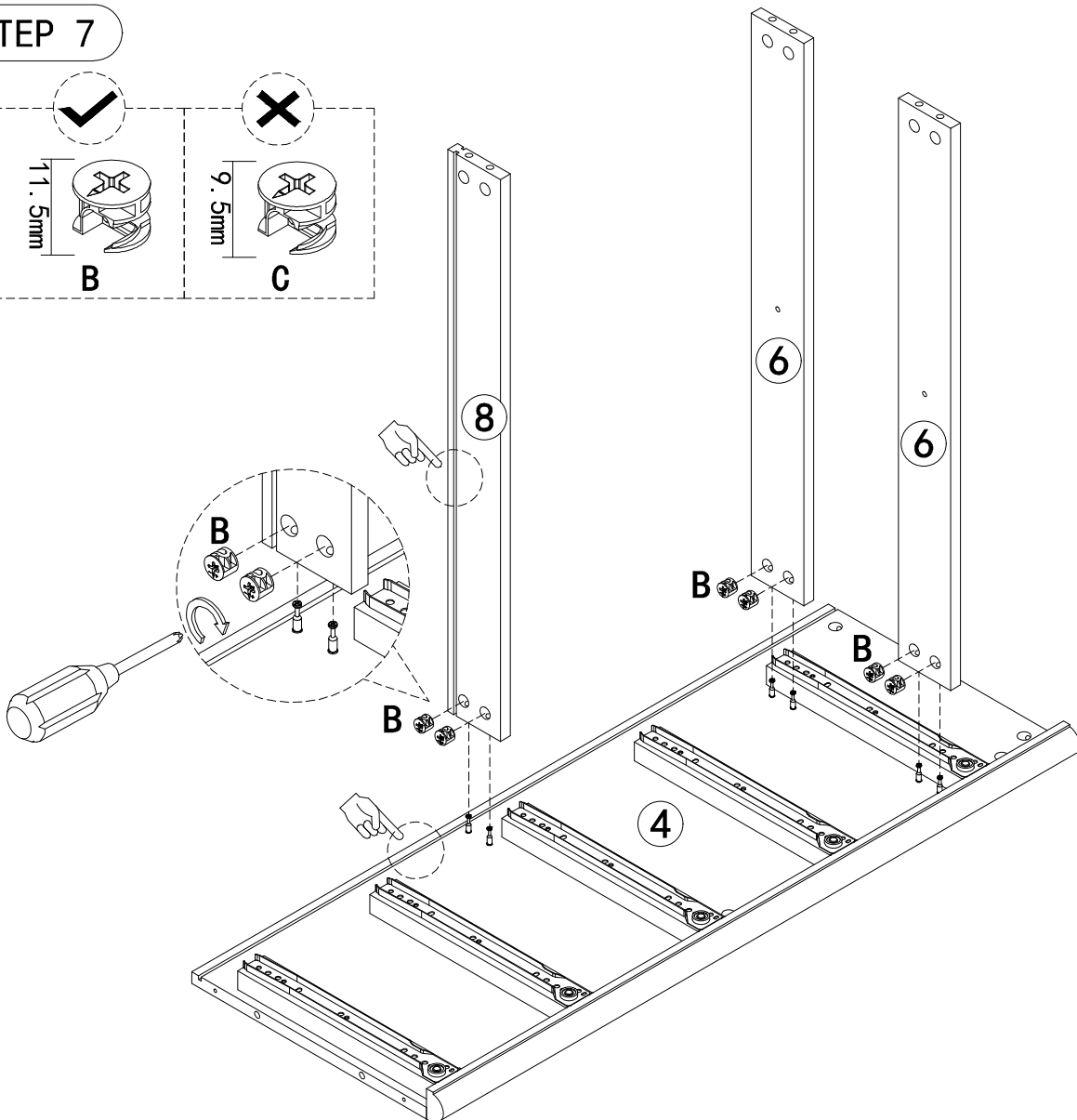
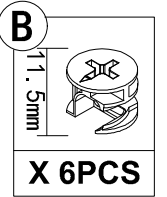
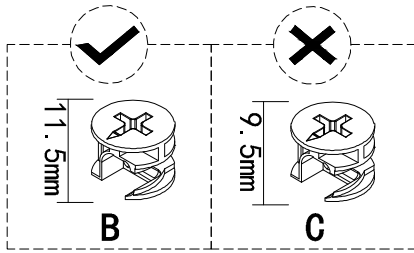


1

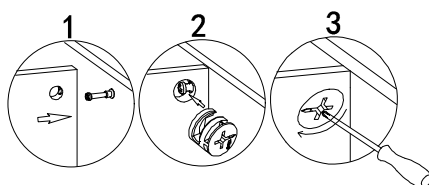
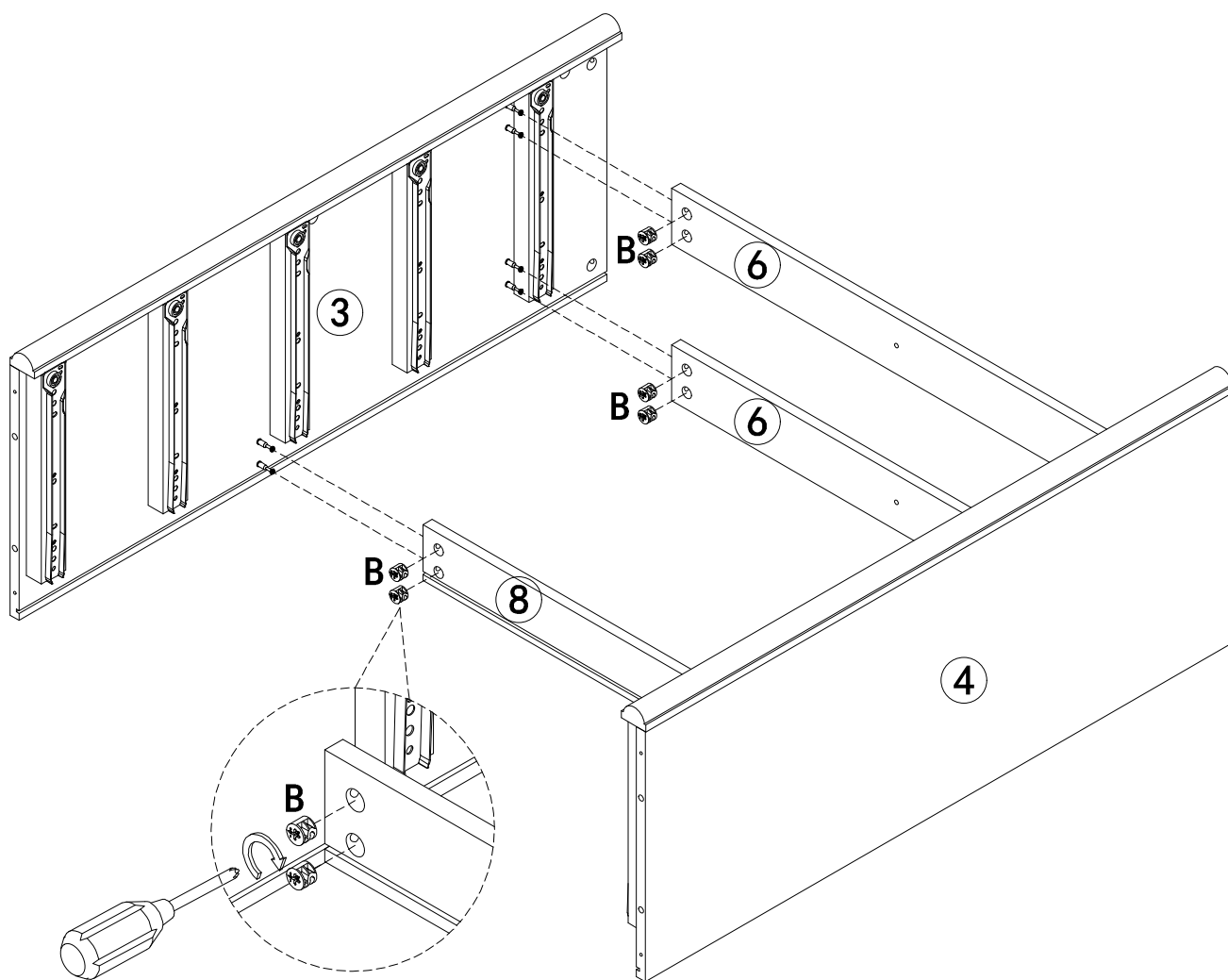
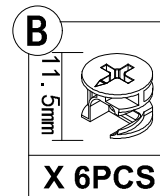
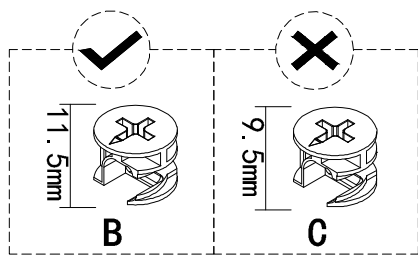
2

ROTATE 180°

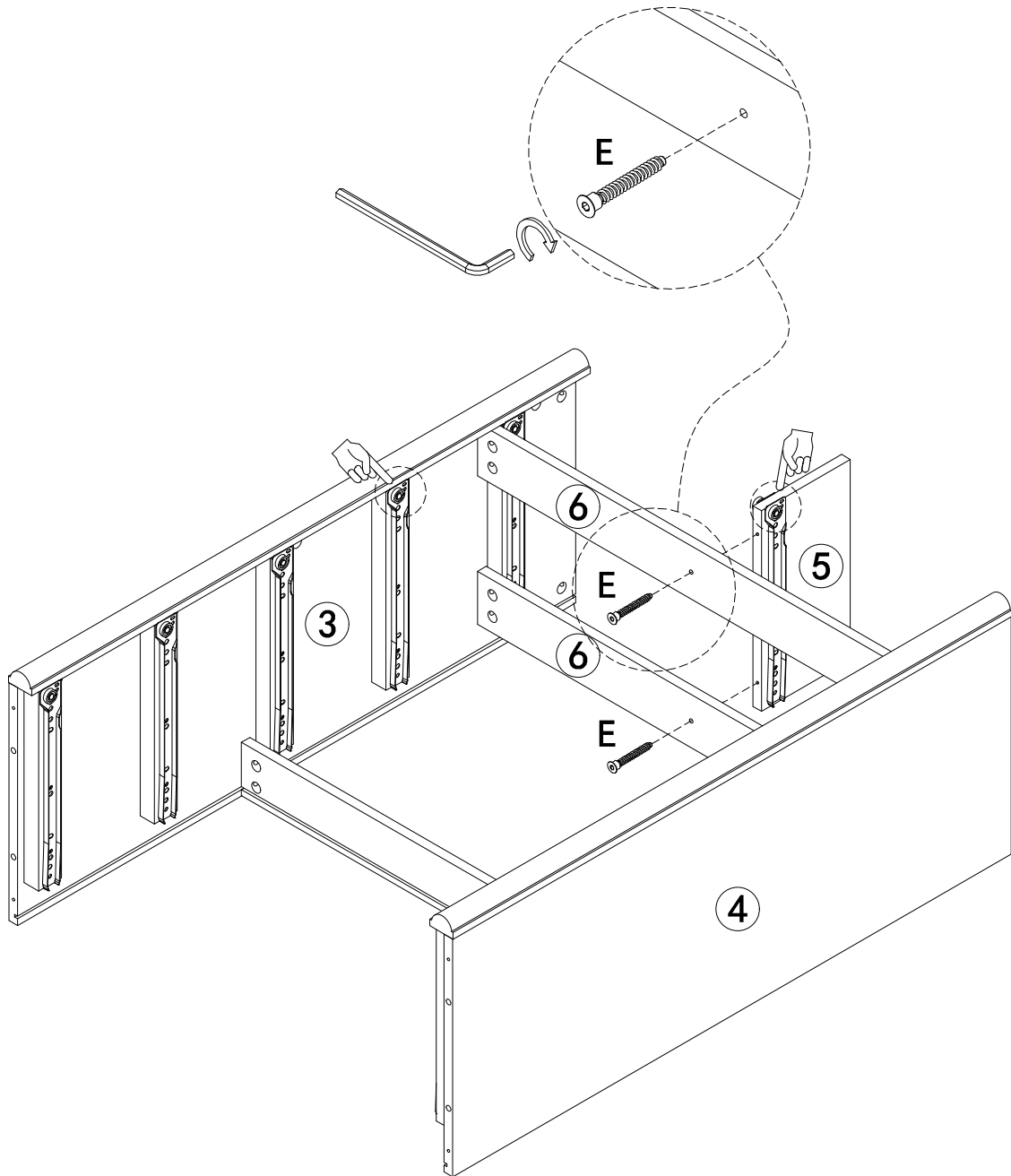
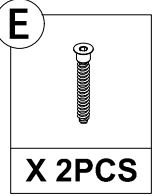
STEP 7



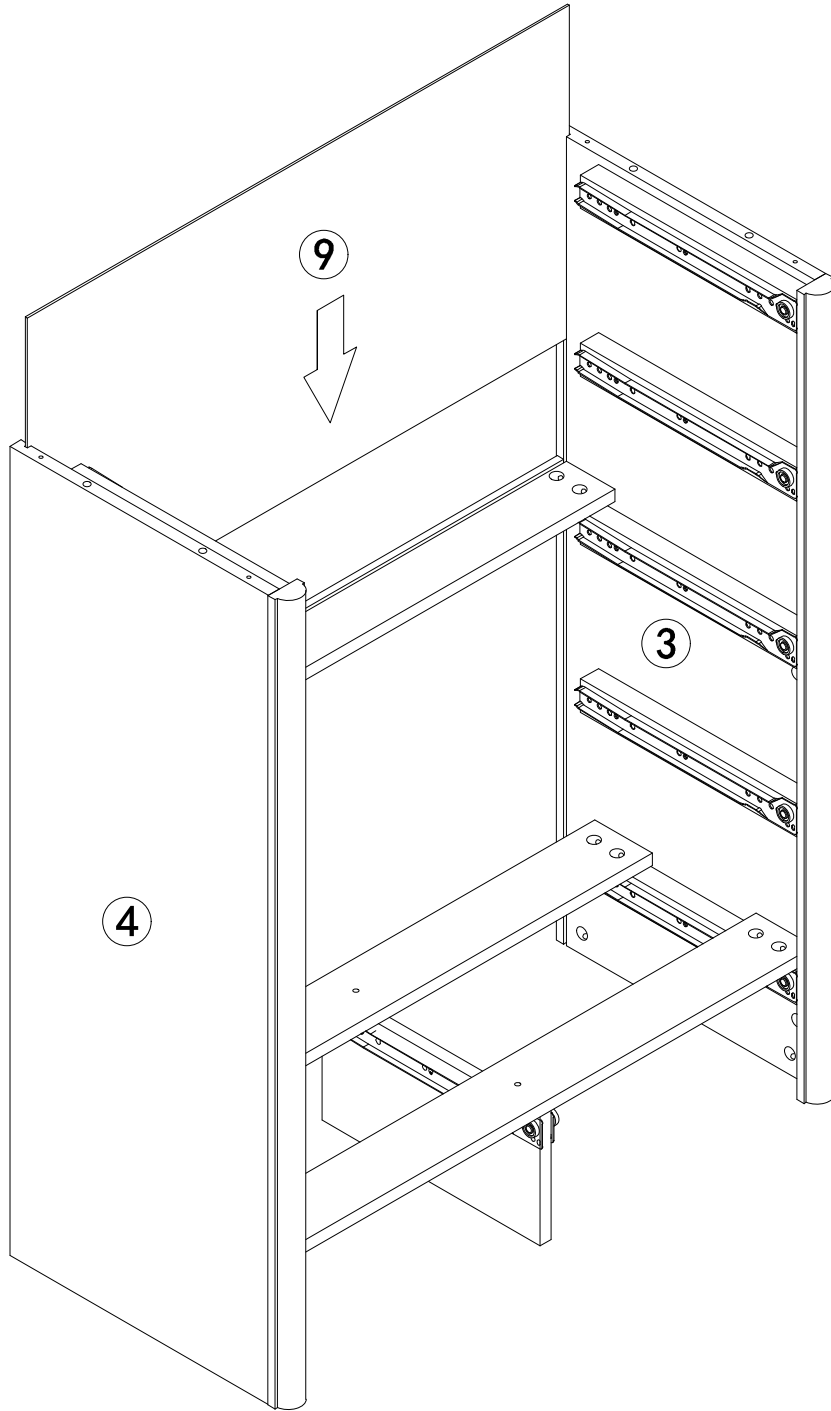
STEP 8



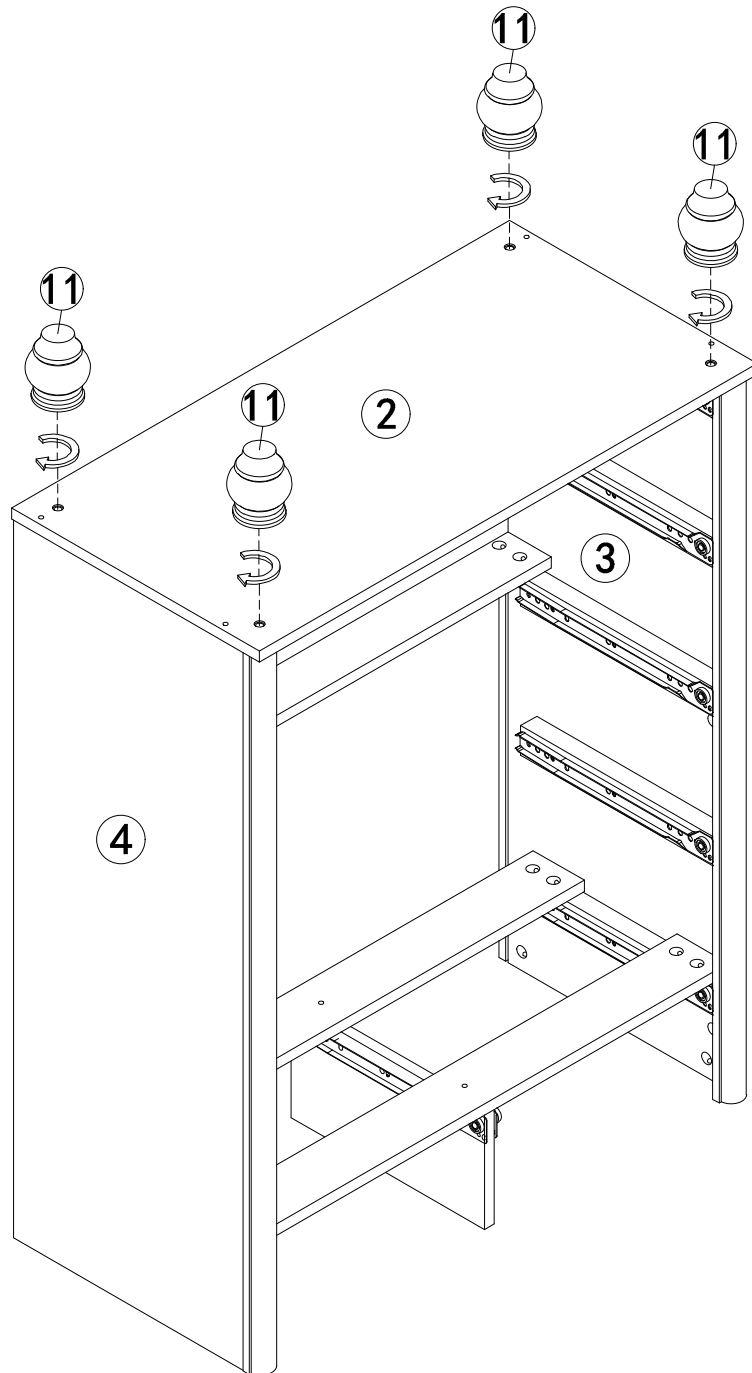
STEP 9




STEP 10




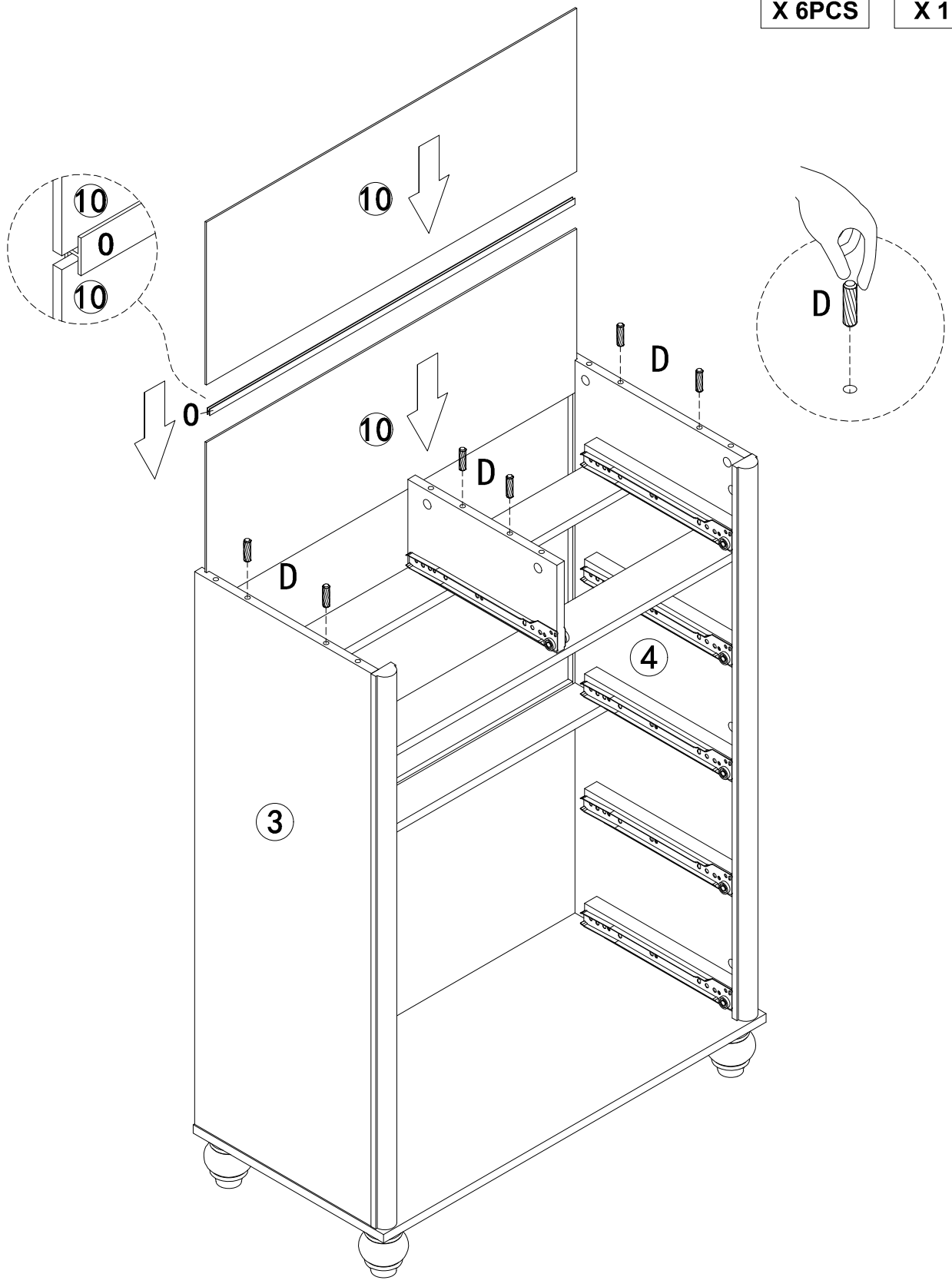
STEP 12



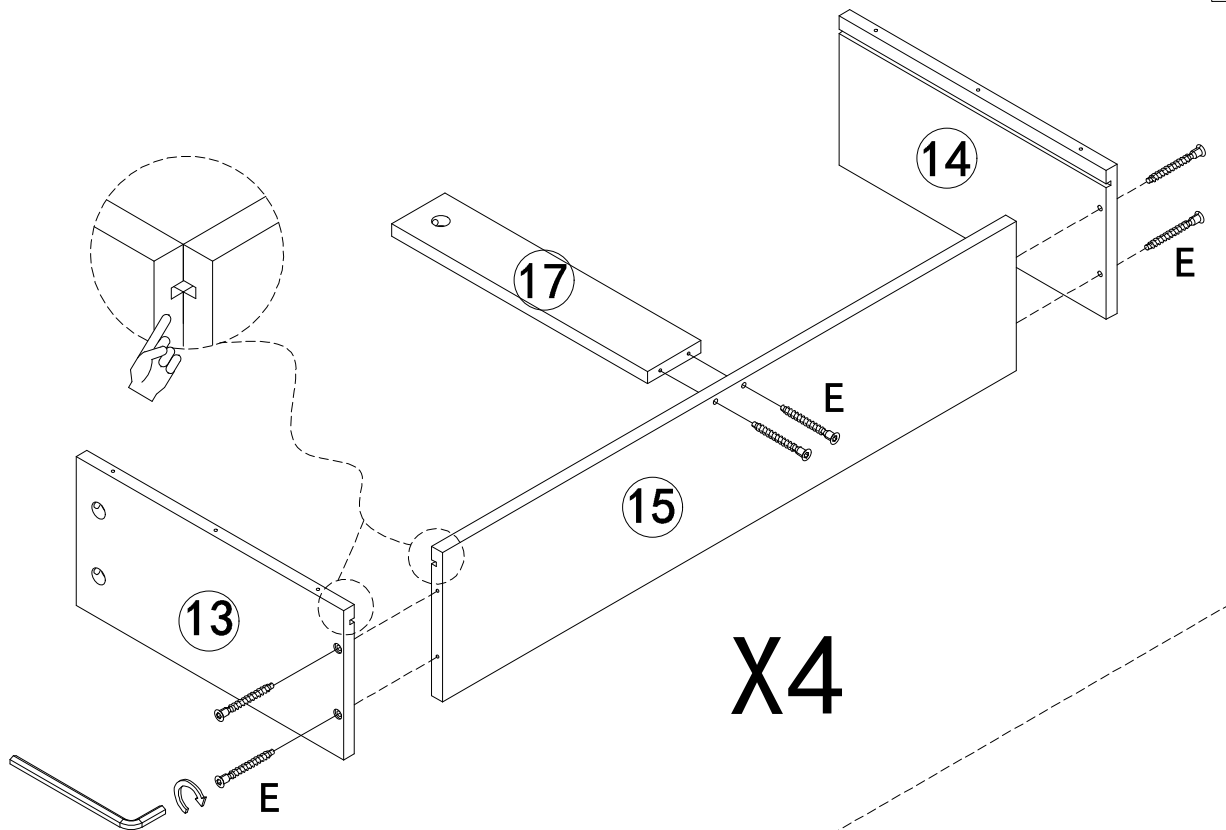
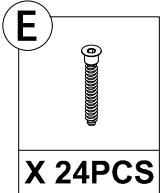
STEP 13

D

X 6PCS

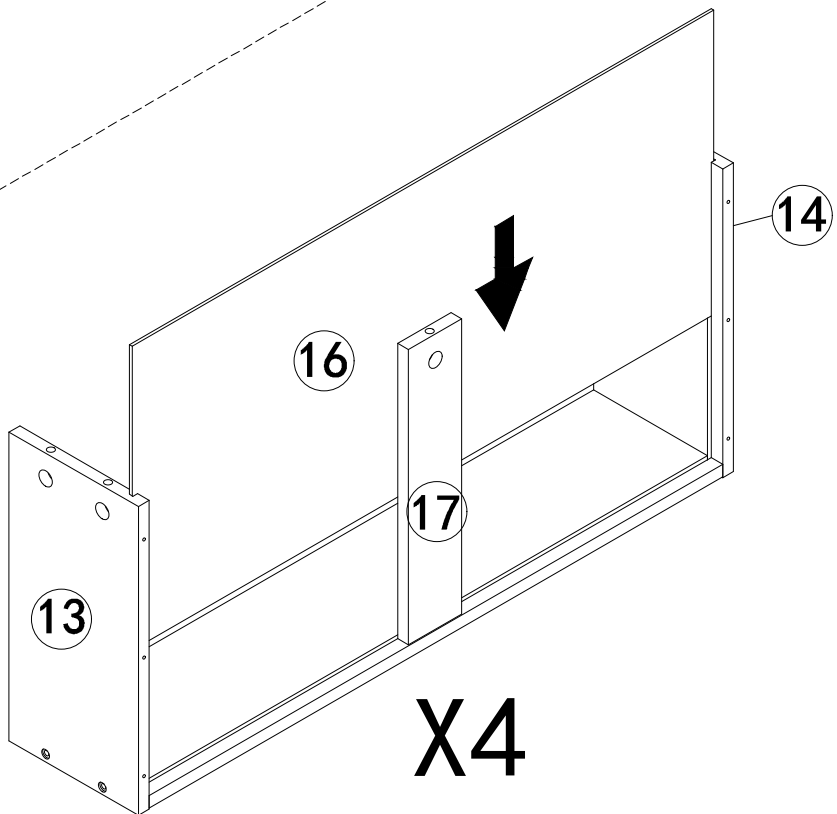
O

X 1PC



STEP 15




X4



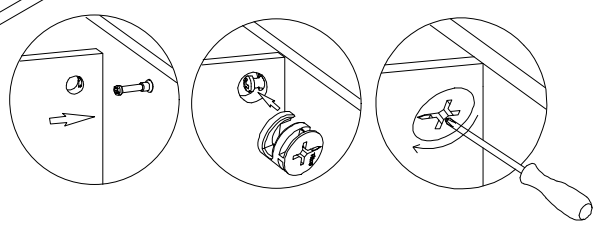
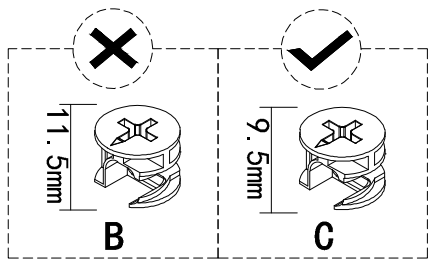
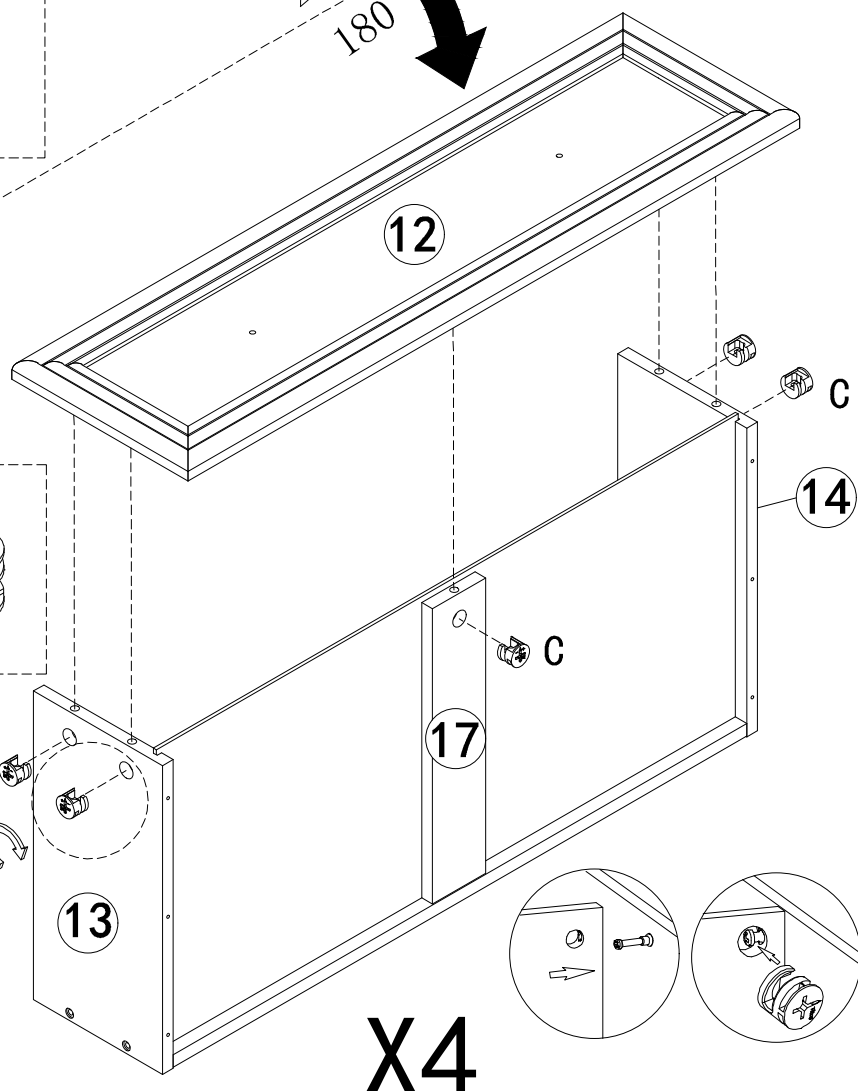
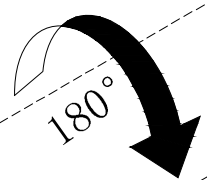
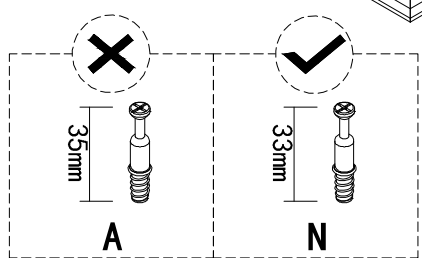
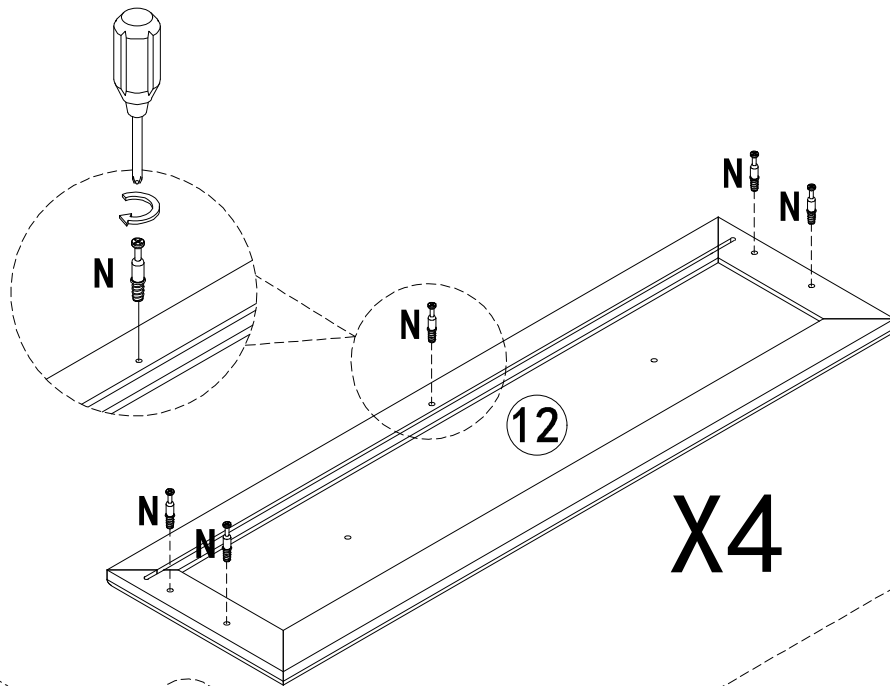

X4

STEP 16


N
33mm
X 20PCS





C
9.5mm
X 20PCS

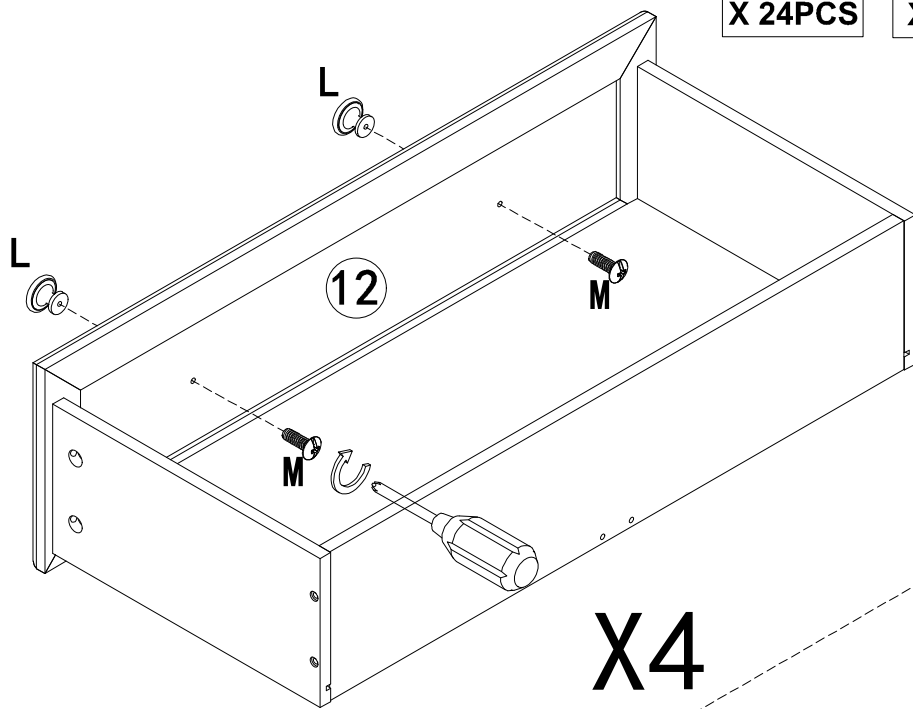


STEP 17

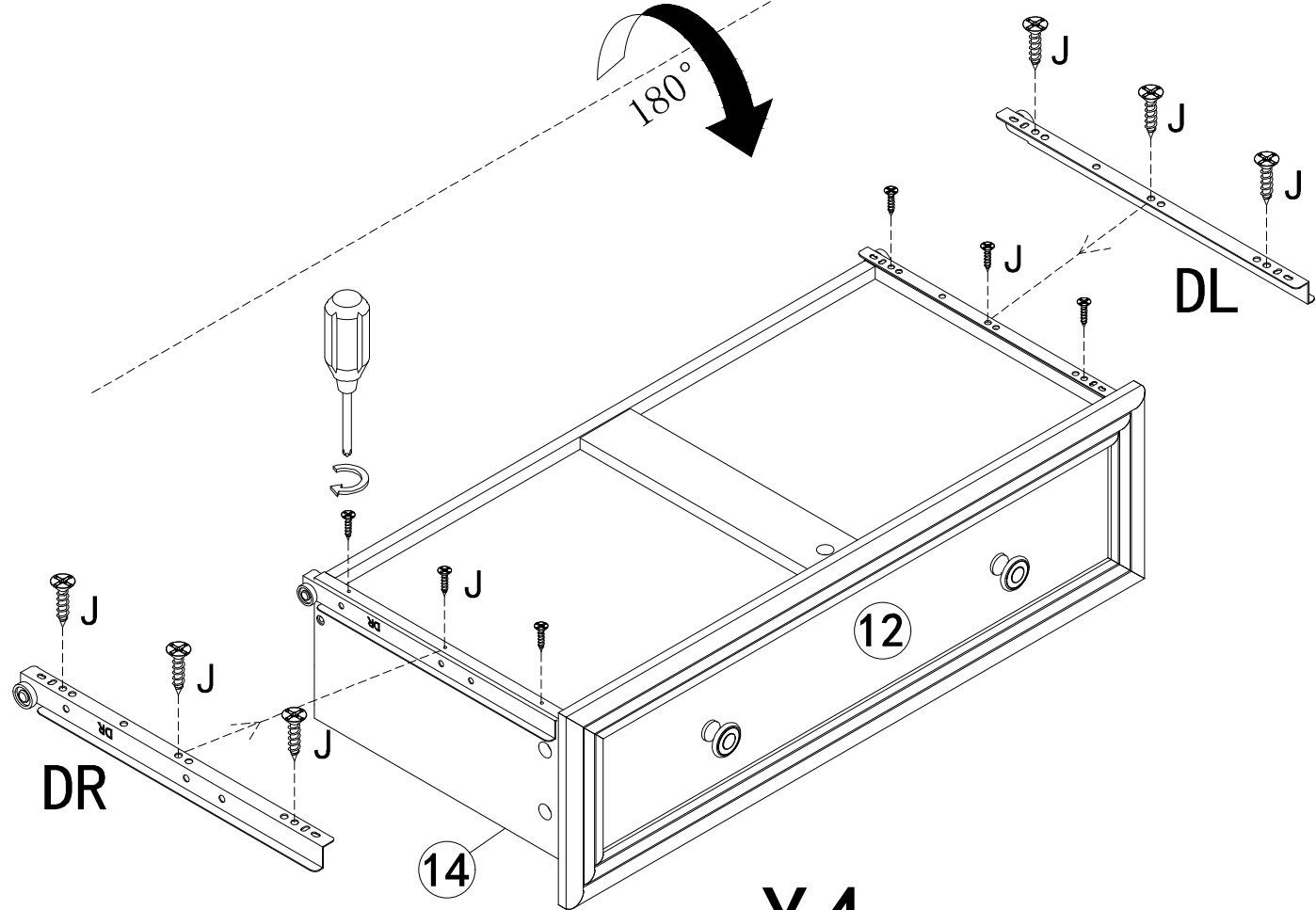
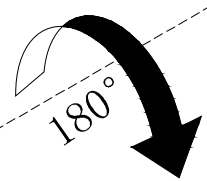
J

X 24PCS

L

X 8PCS

M

X 8PCS

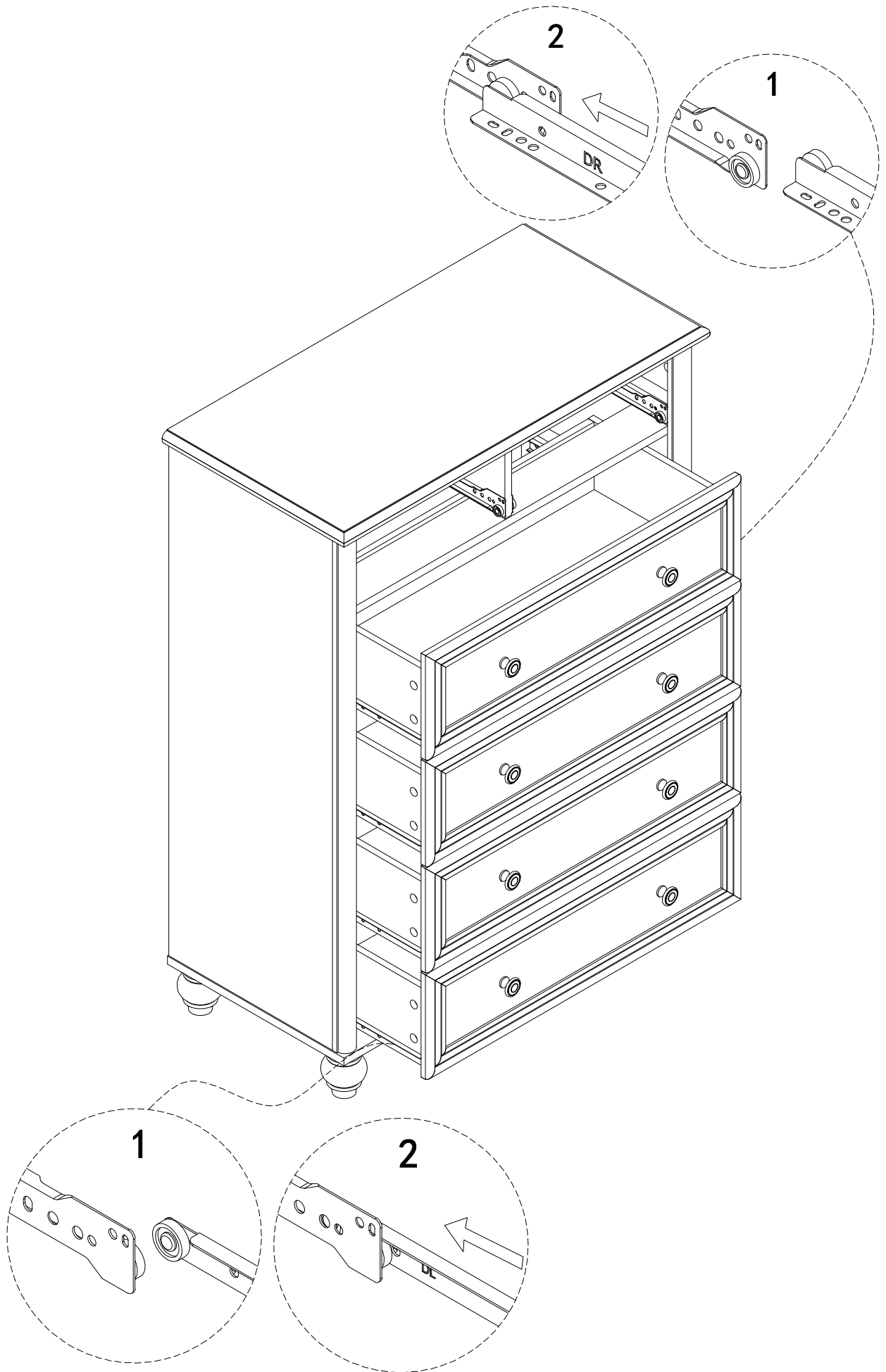


X4

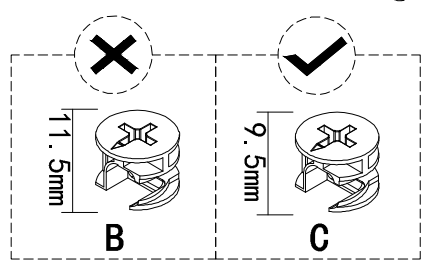
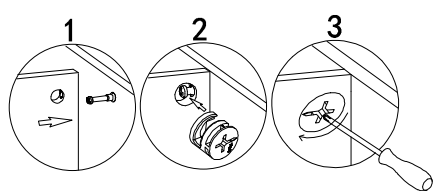
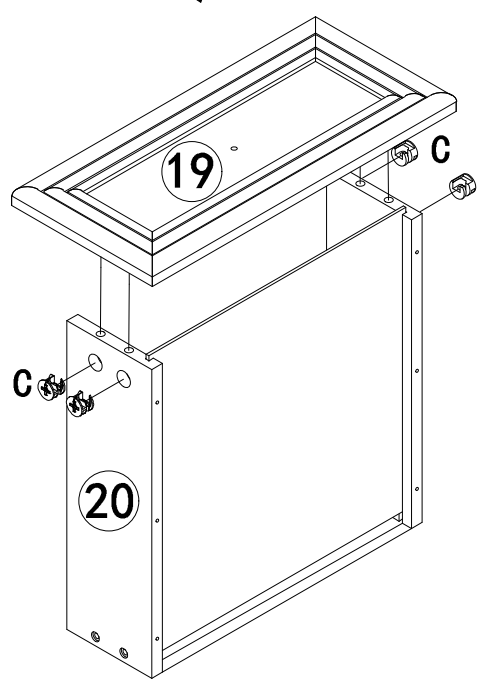
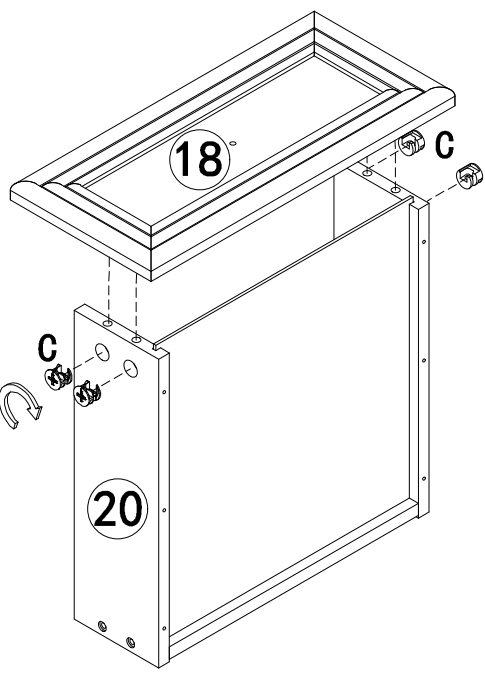
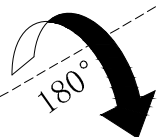
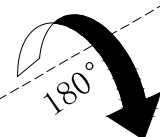
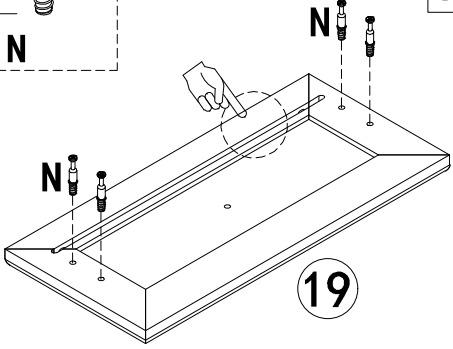
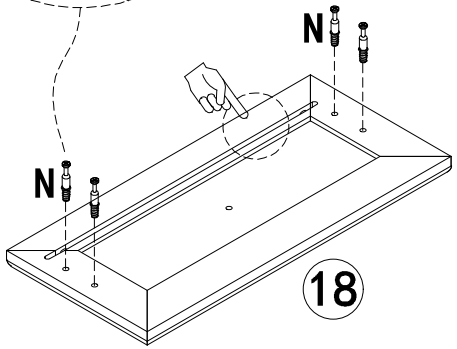
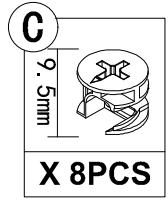
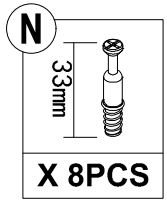
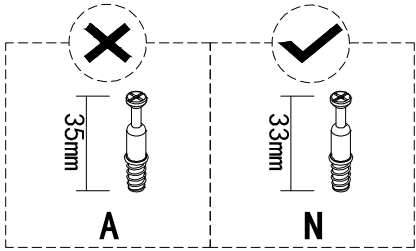
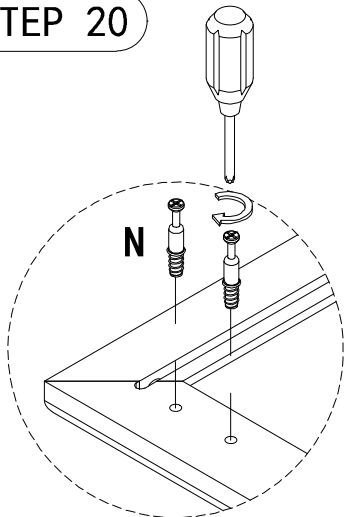


X4

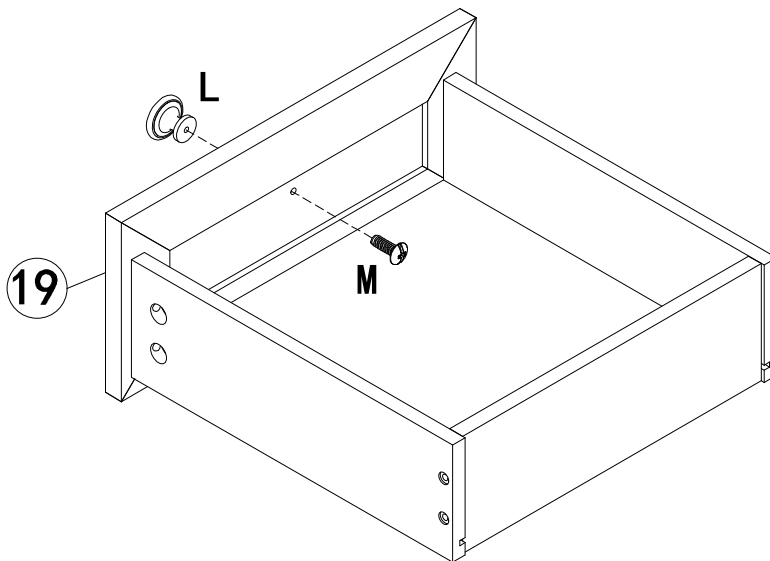
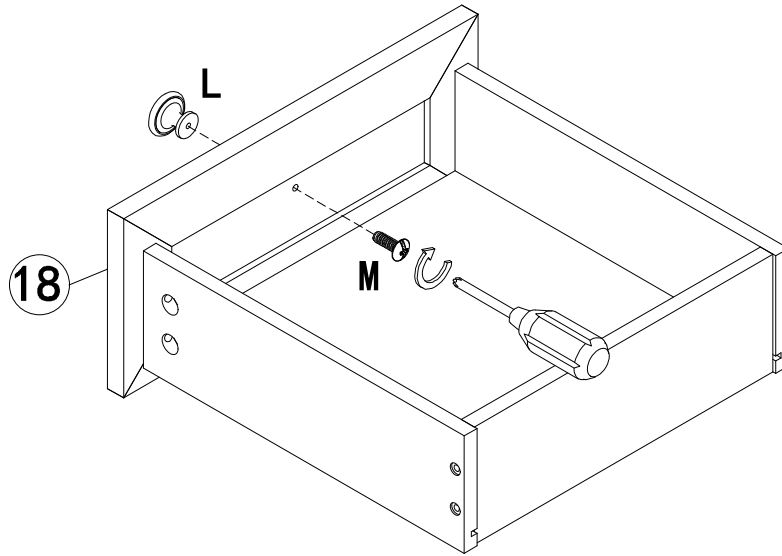
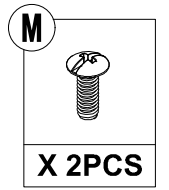
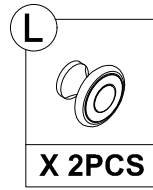
STEP 18



STEP 20




STEP 21

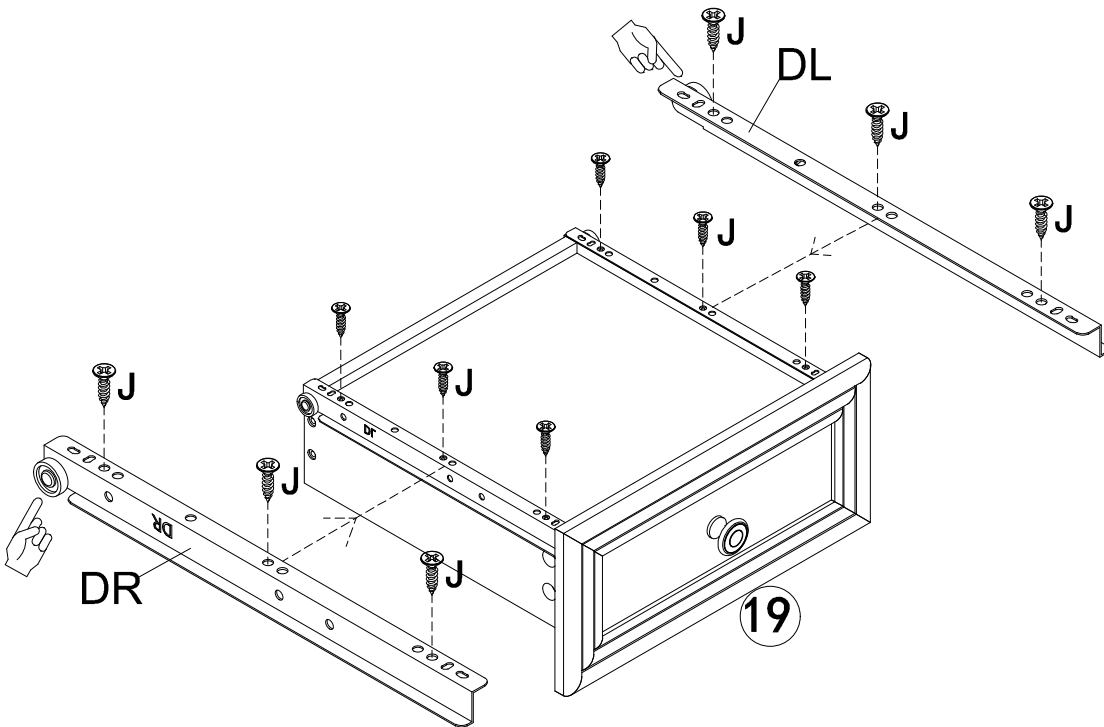
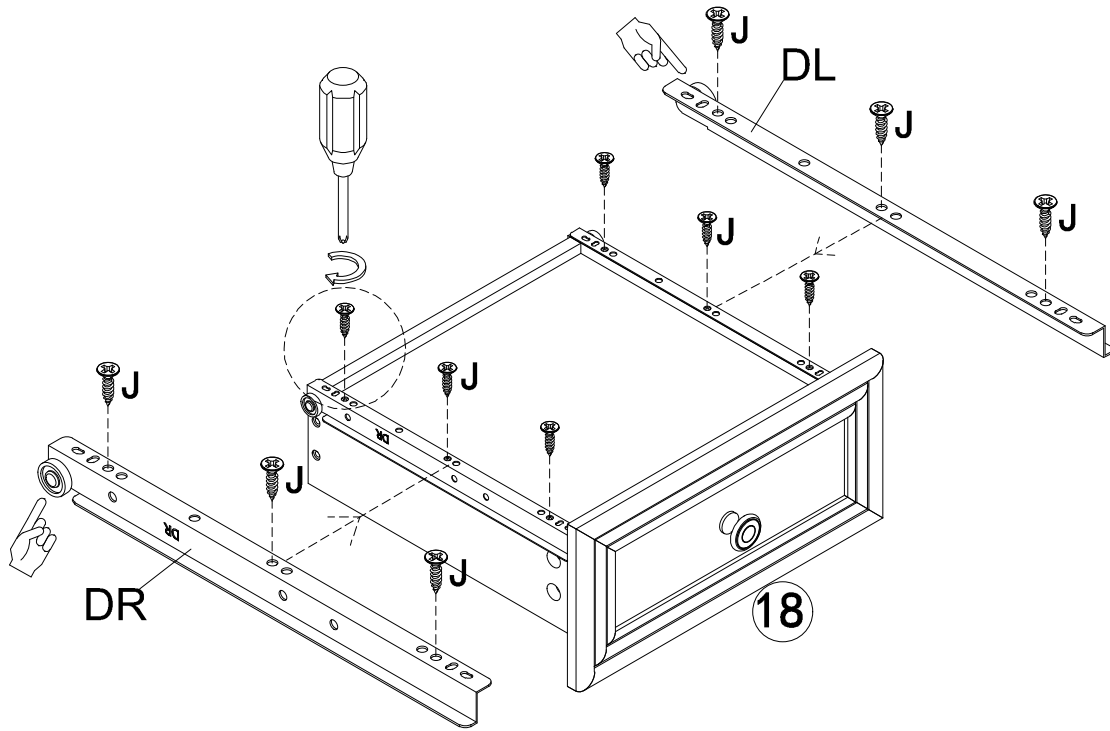


STEP 22

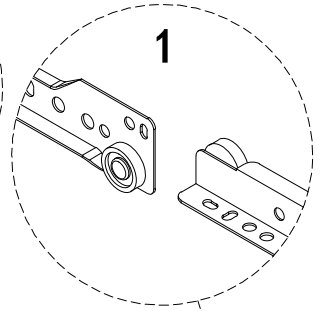
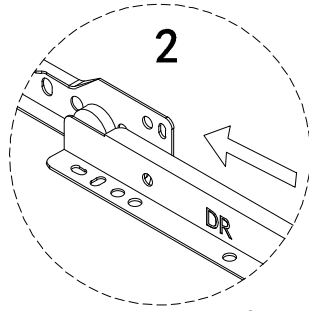
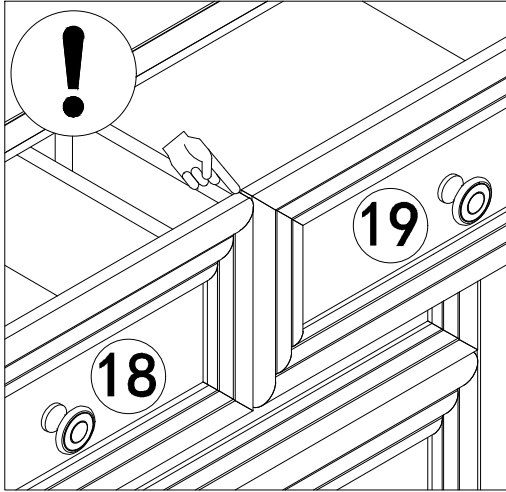
J



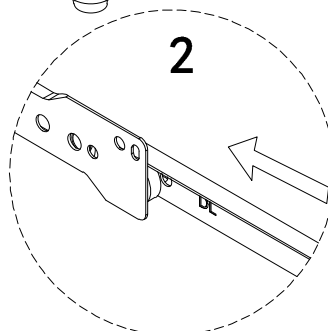
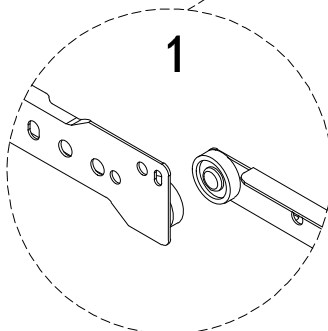
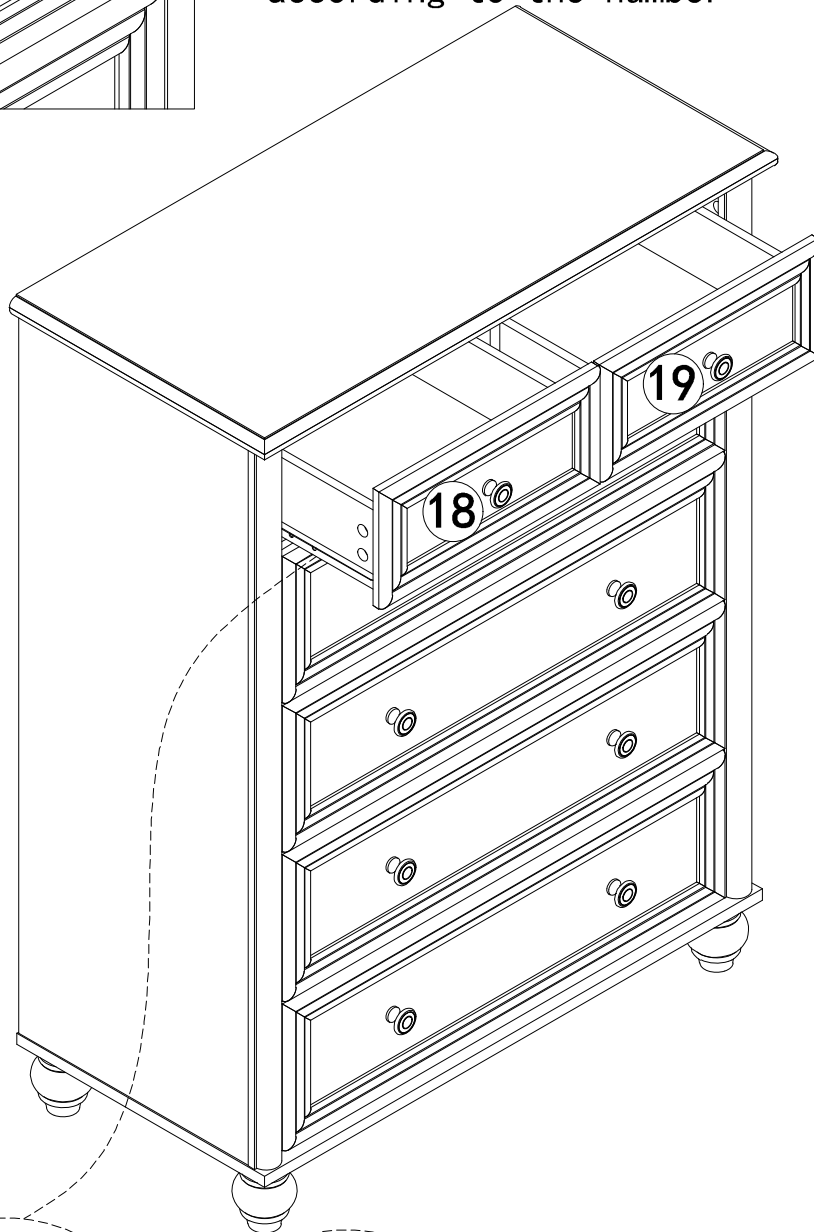
X 12PCS



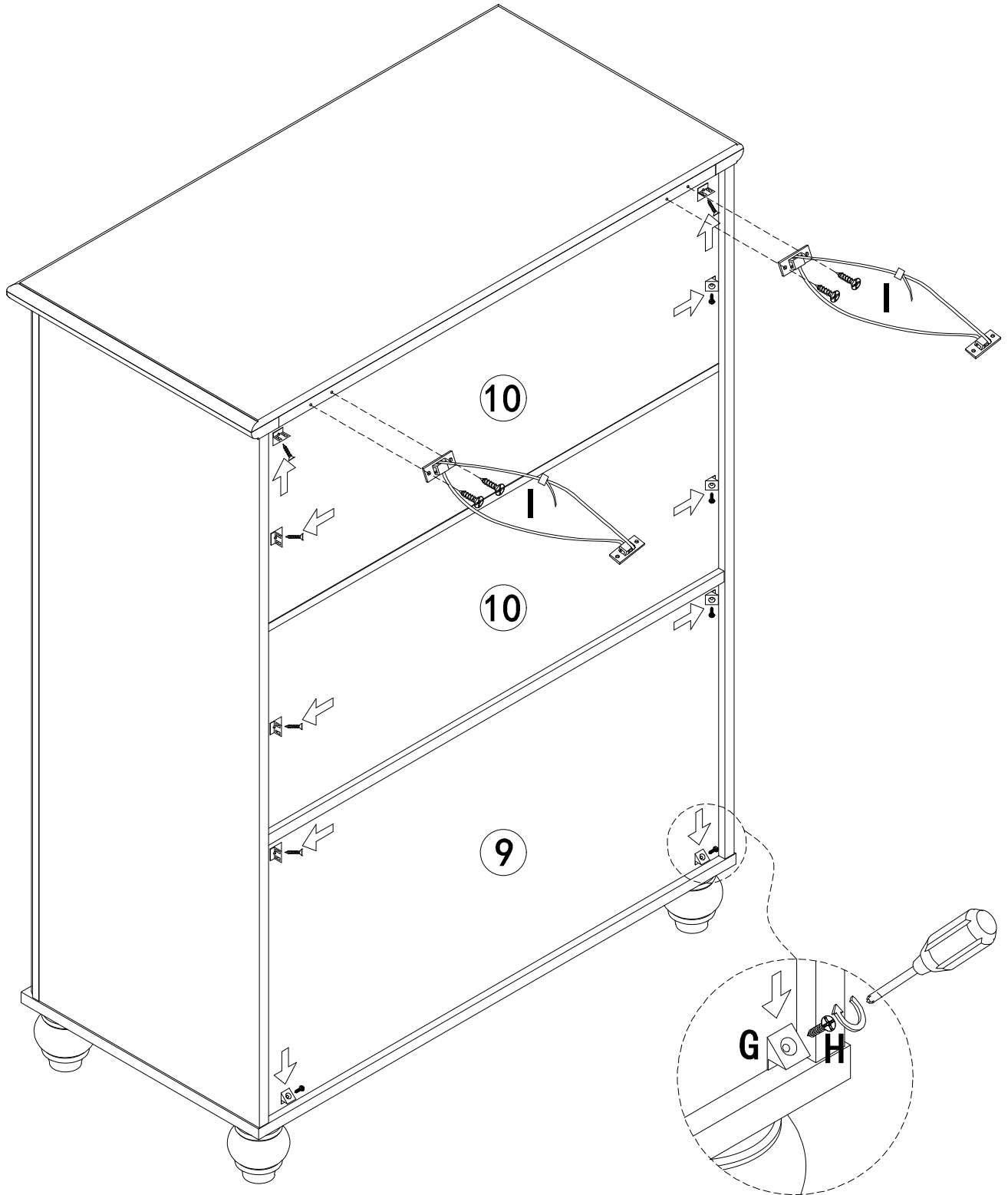
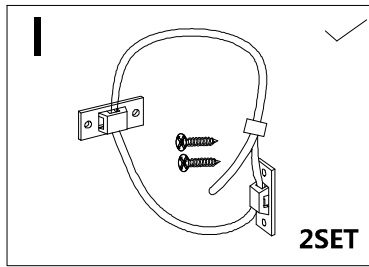
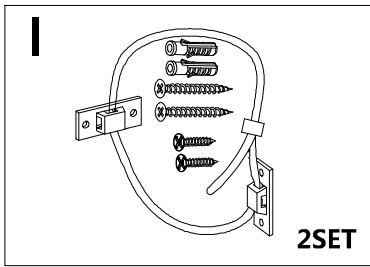
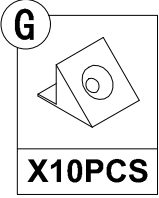
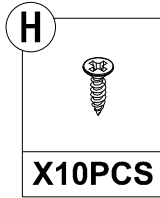
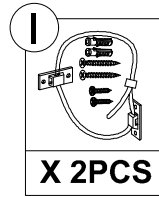
STEP 23



Note: Please insert the drawer into the corresponding position according to the number



STEP 24



STEP 25

