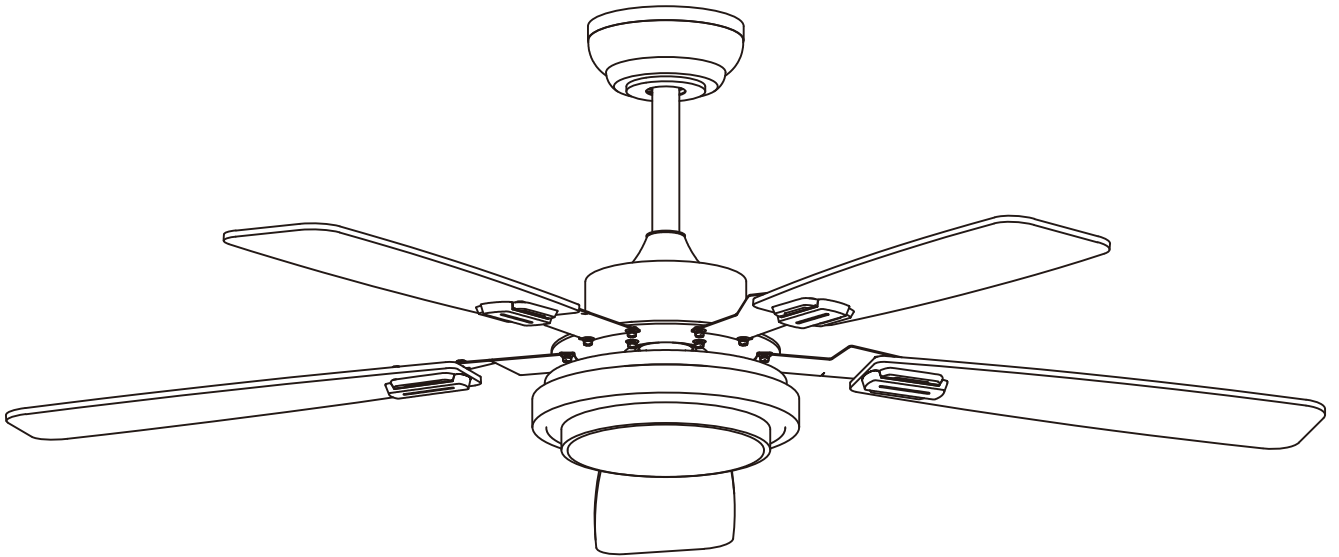


# CEILING FAN USER MAUUAL



Thank you for purchasing our product. Please read this manual carefully before use and keep it properly for future reference.

**Model: H-FSD0004**

# Table of contents

---

<b>Warning instructions + installation tools</b>	1
<b>Packaging contents + accessories</b>	2
<b>Step 1: Installation of fan blades and lamp panel</b>	3-4
<b>Step 2: Assemble the hanging cup and the downrod parts</b>	5
<b>Step 3: Install the hanger bracket to the ceiling</b>	6
<b>Step 4: Connect the driver to the ceiling power cord</b>	7-8
<b>Step 5: Fix the hanging cup</b>	9
<b>Step 6: How to operate your ceiling fan</b>	10
<b>Remote control use guide</b>	11
<b>APP control use guide</b>	12
<b>Maintenace and trouble shooting</b>	13

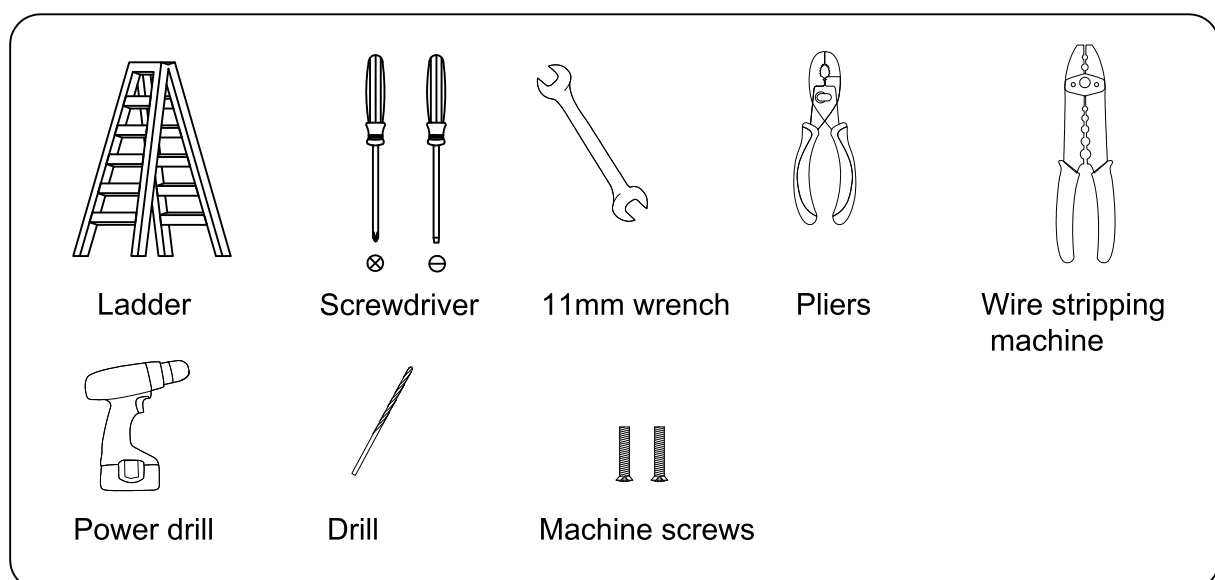
# Warning

To avoid fire, shock, and serious personal injury, follow these instructions.

1. Please read the user manual and safety instructions before installing a new fan. View attached assembly drawing
2. Before servicing or cleaning the equipment, please turn off the power of the repair equipment and lock the power box to prevent accidental activation of the power supply. If the power box disconnect device cannot be locked, securely attach a warning device (such as a label) to the power box.
3. When cleaning, repairing or working near the fan, please carefully walk around the fan and its blades. Before performing any maintenance, be sure to turn off the power to the ceiling fan.
4. Do not insert any objects into the fan blades while the fan is running.
5. This device is not intended for use by young children or unsupervised disabled people. Young children should be supervised to ensure that they do not play with this device.
6. Before installing a ceiling fan, please refer to the section on the proper wiring method for your fan. If you feel you lack sufficient knowledge or experience with wiring, it is recommended that you have your fan installed by a licensed electrician.

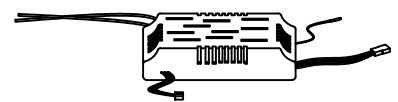
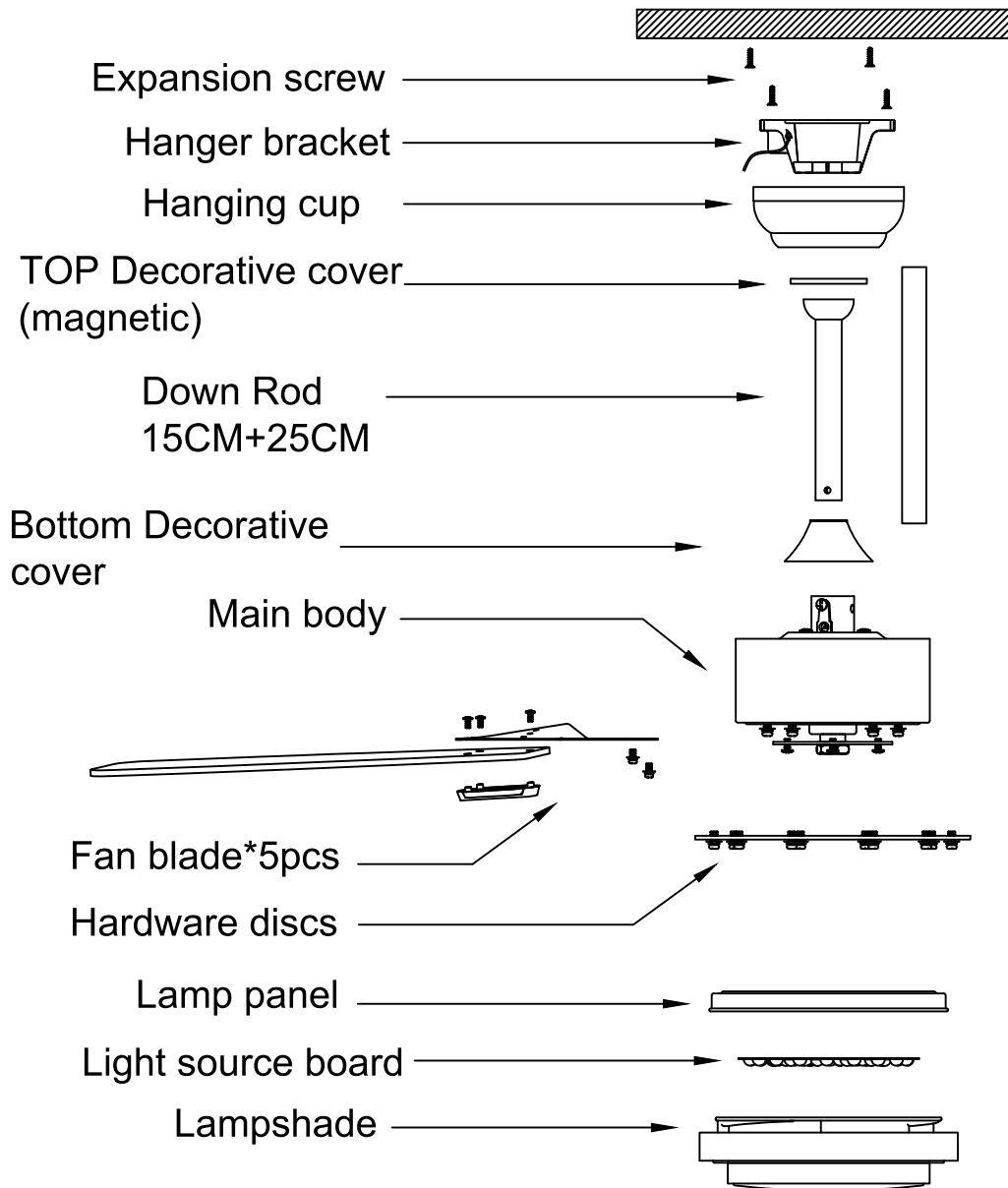
This manual is designed to make assembling, installing, operating and maintaining your ceiling fan as easy as possible.

Note: Place the parts in the loose parts bag into a small container to prevent loss. If any parts are missing, please contact us.

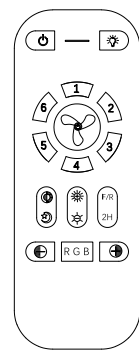


# Packaging contents

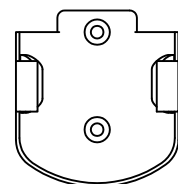
Please check if you have received the following part:



Fan light driver

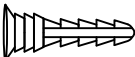



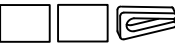


Remote control



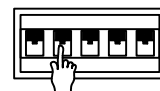
Remote control bracket

## Accessories:

<p>①  Expanded colloidal particles*4</p>	<p>②  Wood screws-M530mm*4</p>	<p>③  M4*25mm-screw*2</p>
<p>④  P3-Wiring cap*3</p>	<p>⑤  Balanced bag*1</p>	

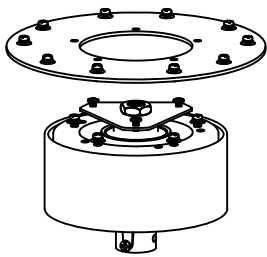


Please pay attention! Before starting assembly, remember to disconnect the fan power cord from the electrical box connections to avoid electric shock.

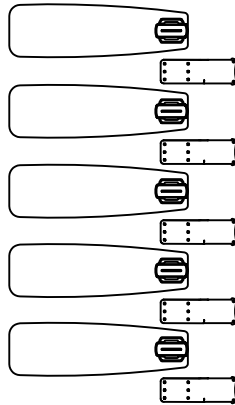


# Step 1: Installation of fan blades and lamp panel.

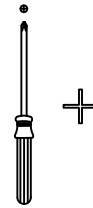
Main body



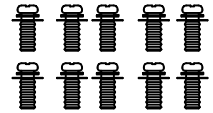
Fan blade



Screwdriver  
(not included)



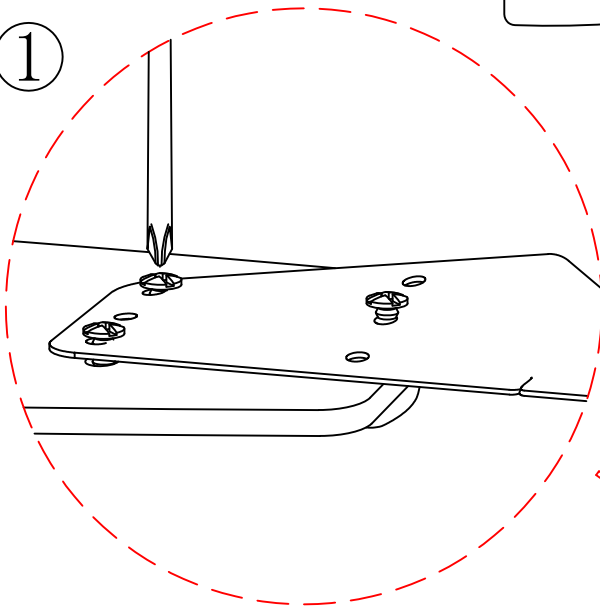
Screw\*10PCS



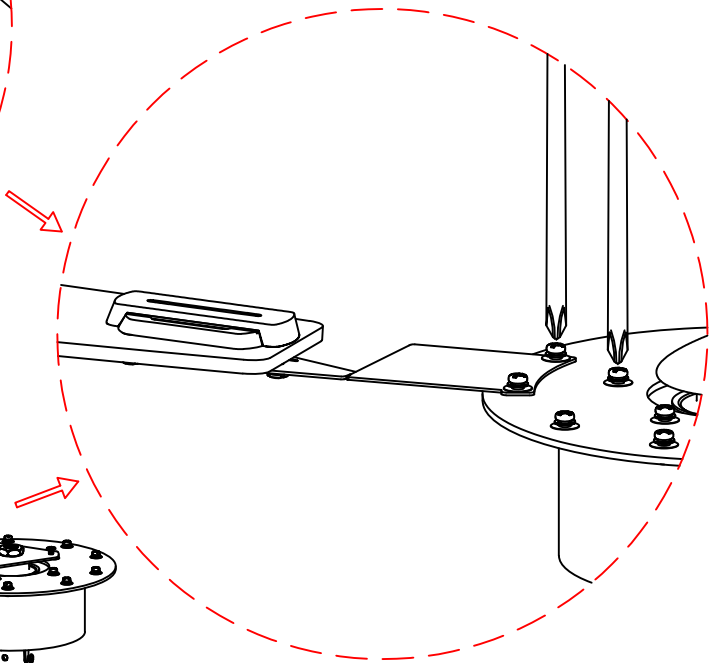
Screw\*15PCS



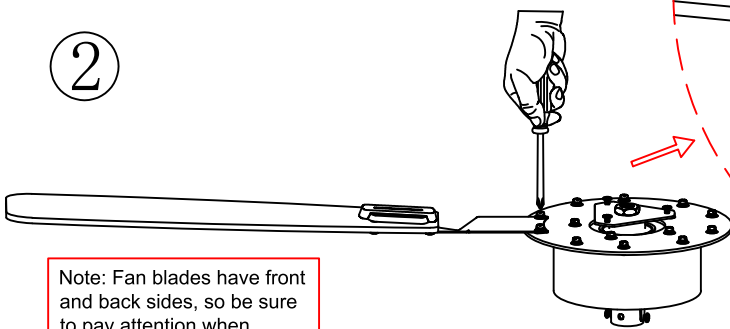
1



Take out the fan blade and use screws to assemble the bending hardware with the fan blade and belt buckle, and tighten them.

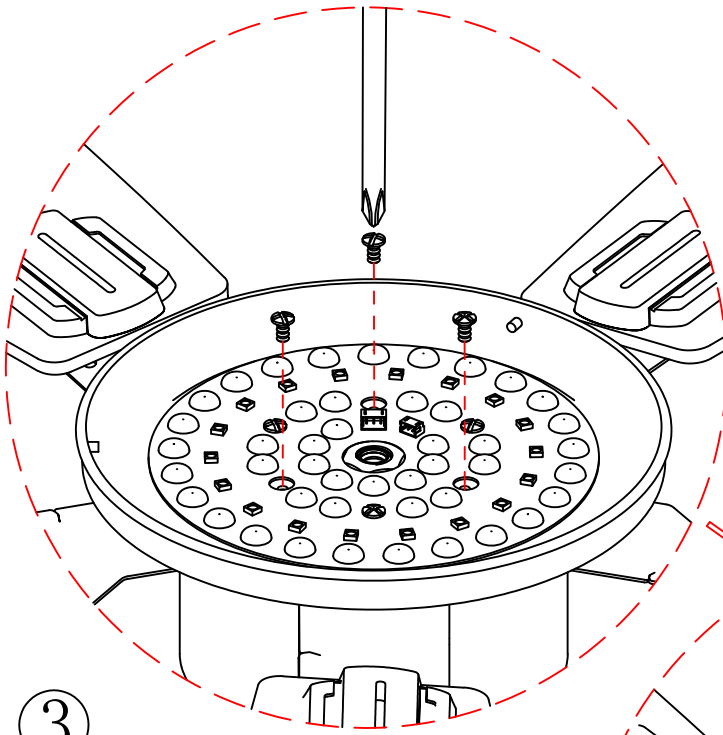


2



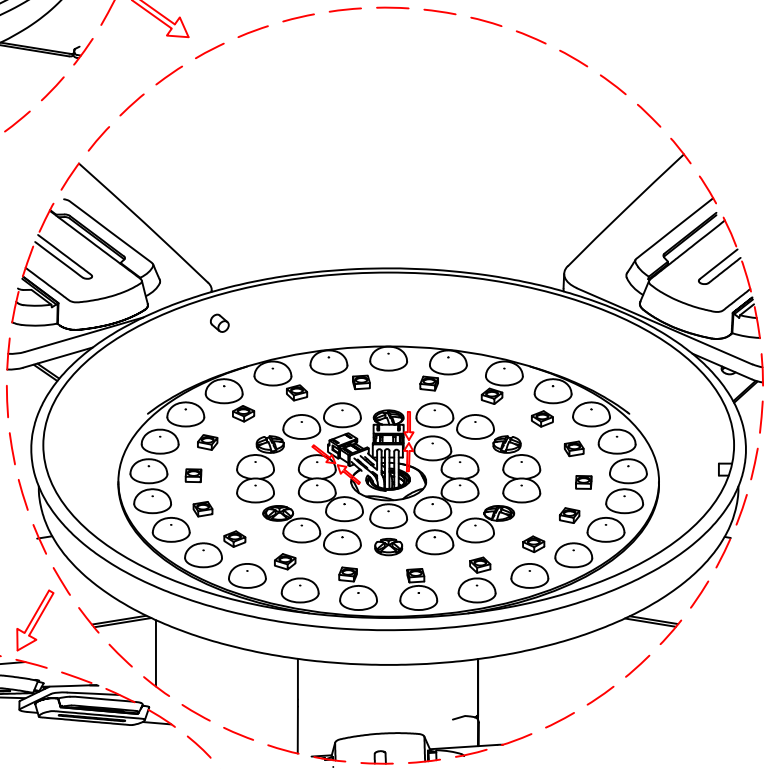
Note: Fan blades have front and back sides, so be sure to pay attention when installing the fan blades.

Align the fan blades with the screw fixing holes, then reset and tighten the screws



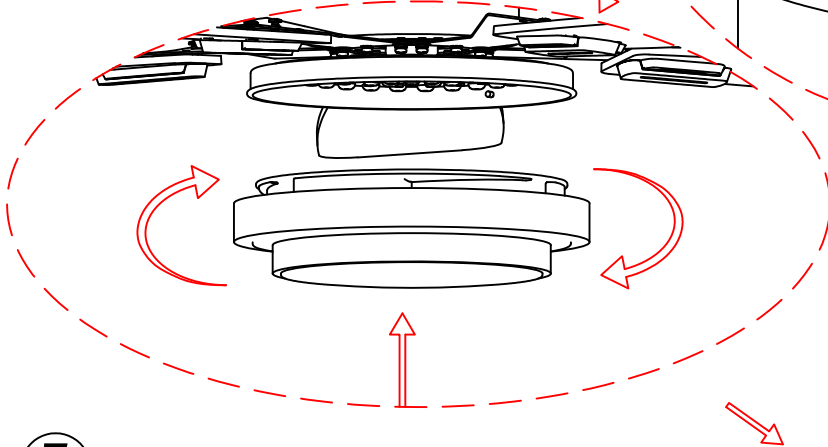
3

Use a screwdriver to unscrew the three screws on the disc, then put the lamp panel on and align the holes, then reset and tighten the three screws.



4

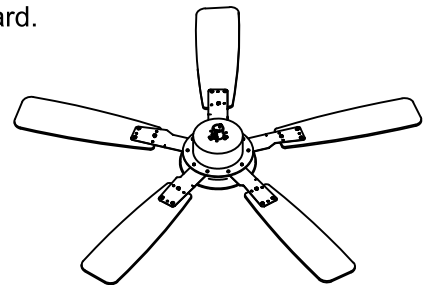
Pull out the male terminal wire in the lamp body and snap it into place against the female terminal connector on the LED board.



5

Take out the lampshade, align the lampshade with the lamp panel buckle, and slowly rotate clockwise until the lampshade and the lamp panel are completely fixed. To prevent the lampshade from scratching, leave the lampshade installation until last.

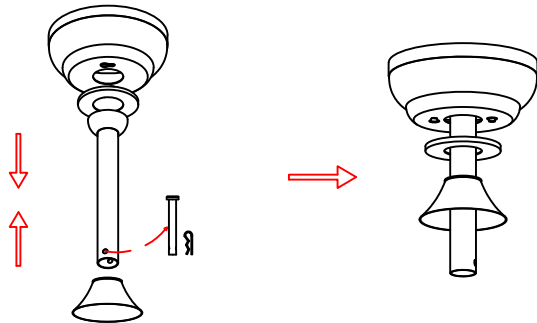
4



6

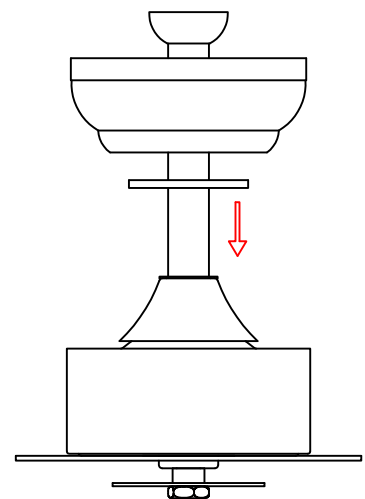
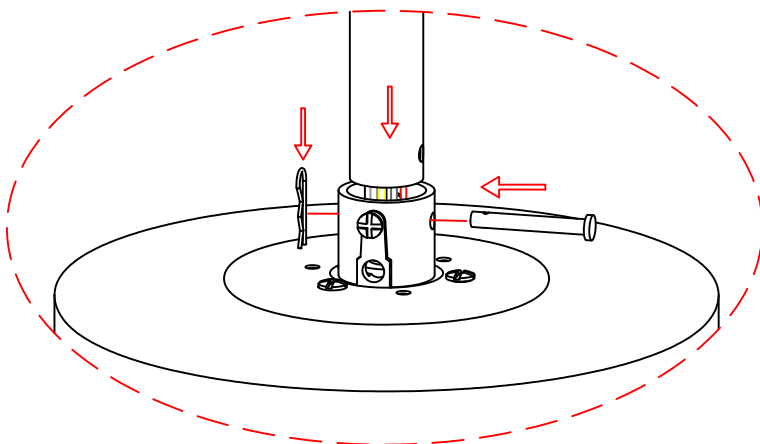
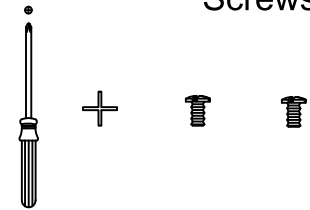
The fan blades are installed.

# Step 2: Assemble the hanging cup and the downrod parts



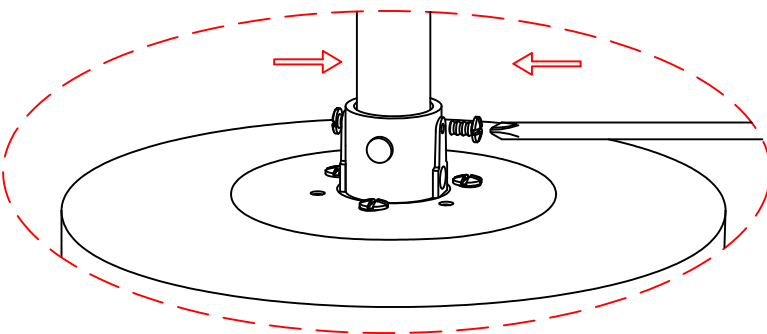
Screwdriver  
(not included)

Screws

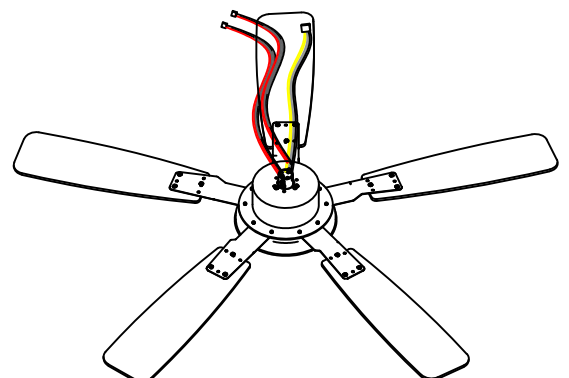


- 1 Pull out the pull-pin and take out the downrod, then insert these parts into the downrod in this order as shown: hanging cup, top decorative cover(magnetic), bottom decorative cover.

- 3 Put the bottom decorative cove onto the main body.

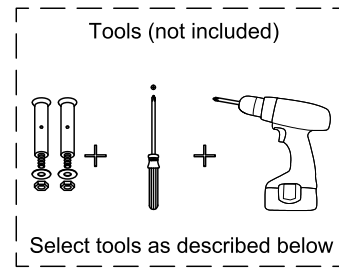
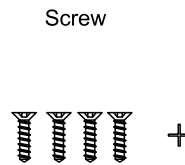
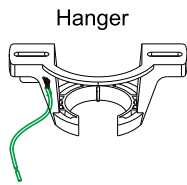


- 2 Use a screwdriver to tighten the screws on both sides of the hanging head. Secure the hanging rod.



- 4 After threading the wires out, wait for the next step

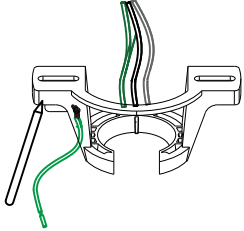
# Step 3: Installation of the hanger bracket to the ceiling



Note: The following installation methods can be selected according to the ceiling structure of your home.

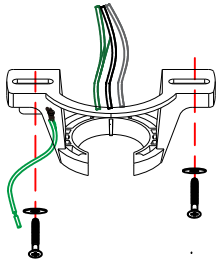
A

① wooden ceiling



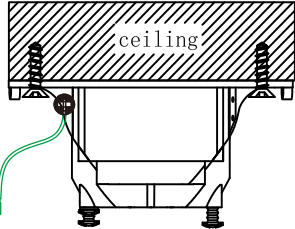
Mark the holes with a pencil

②



Tighten the screws with a screwdriver

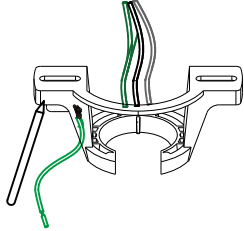
③



Complete ceiling mount installation

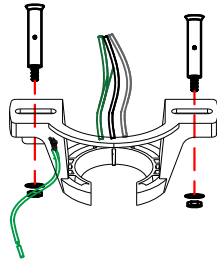
B

① concrete ceiling



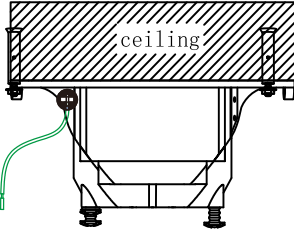
Mark the holes with a pencil

②



Use an electric drill to drill holes for the mark, then drive in the expansion screws, put on the hanger, put on the washers, nuts, and tighten with a wrench.

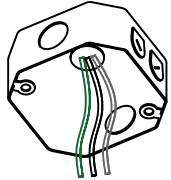
③



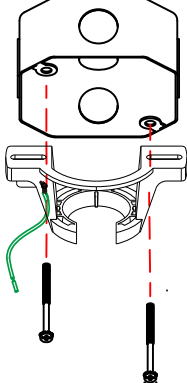
Complete ceiling mount installation

C

① Embedded junction box

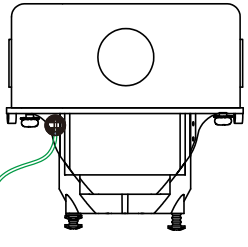


②



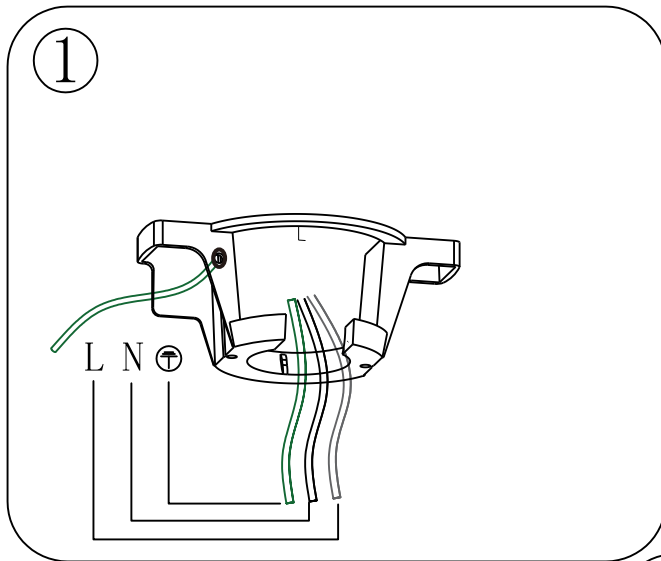
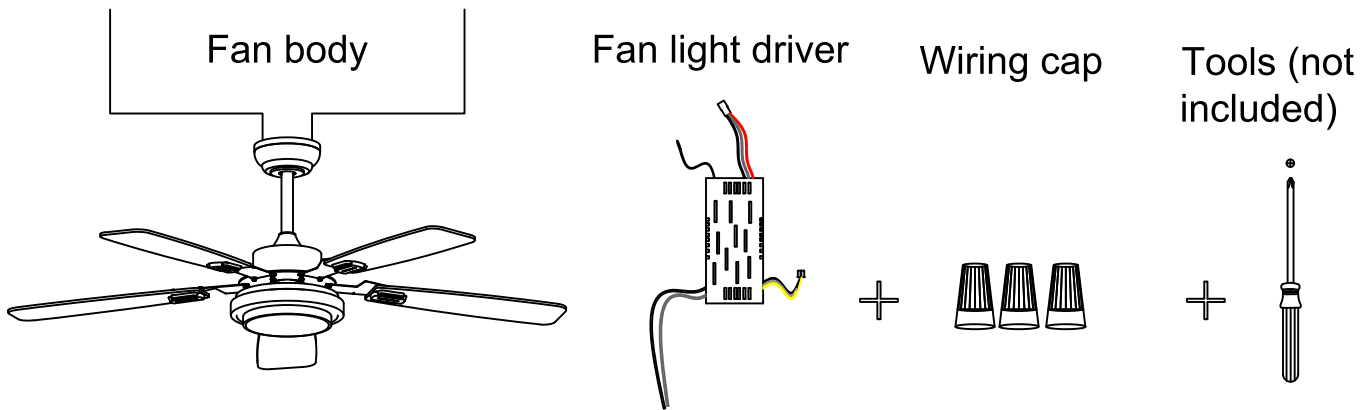
Tighten the screws with a screwdriver

③

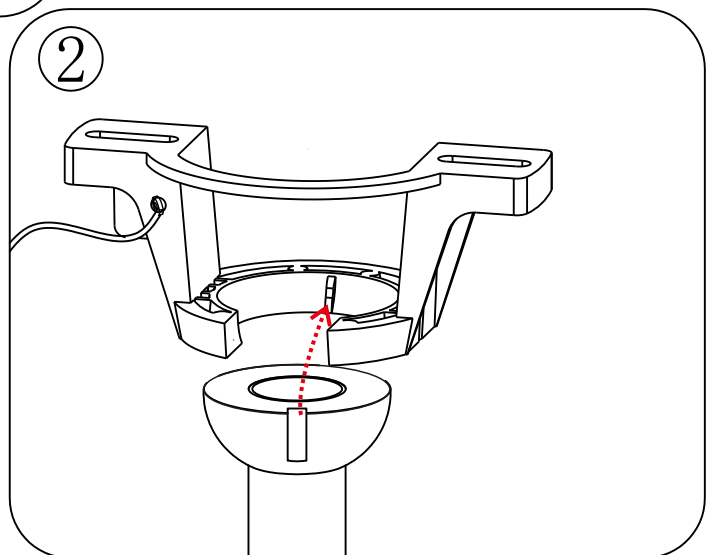


Complete ceiling mount installation

# Step 4: Connect the driver to the ceiling power cord

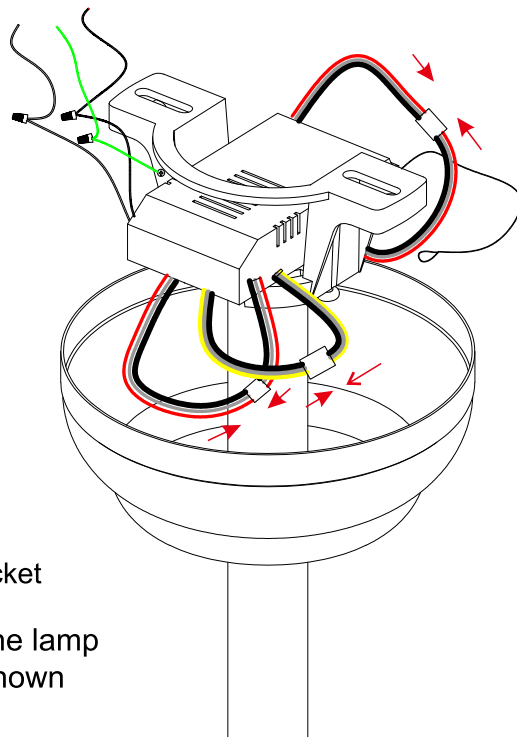


Start by straightening each power cord at the hanger bracket and then prepare to connect the power source.



Insert the notch of the hanging rod head against the convex point of the hanger bracket, and secure it tightly without shaking.

3

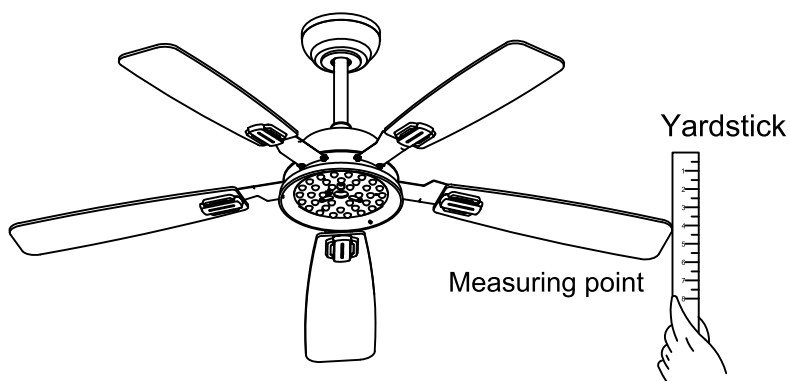
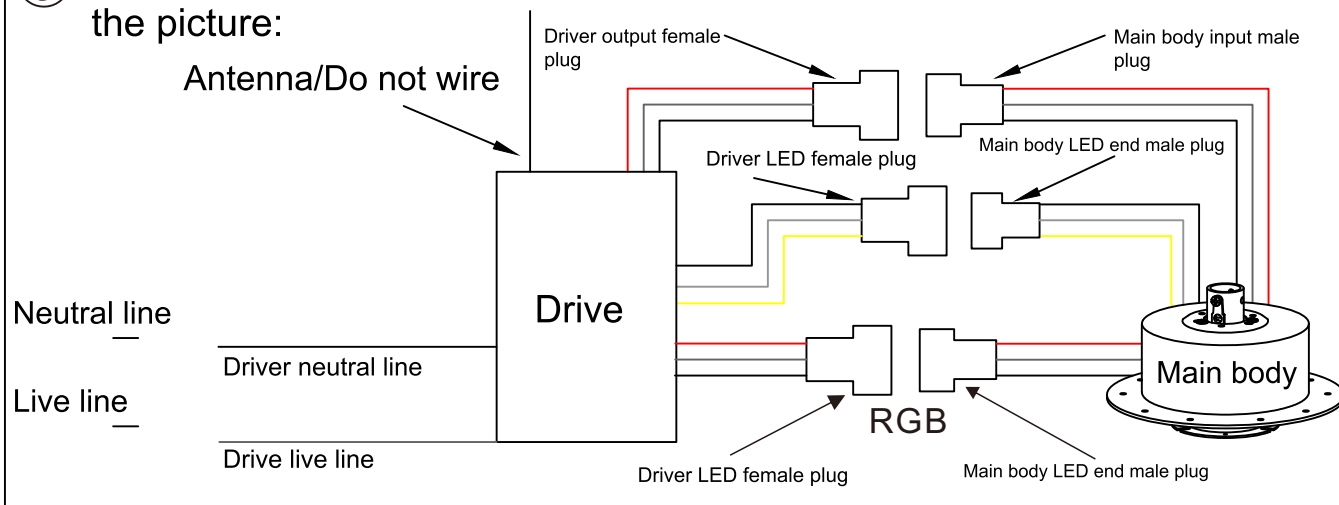


The drive is placed in the middle of the hanger bracket

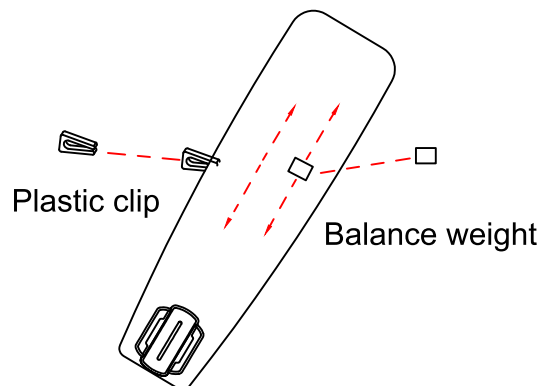
The wiring method of the lamp body and driver is as shown below:

How to connect the lamp body to household electricity: Connect the live wire (L) and neutral wire (N) of the driver to the reserved live wire (L) and neutral wire (N) on the hanger bracket, and connect the ground wire on the hanger bracket ( E ) Connect to the reserved ground wire (E), and then secure it with a wiring cap.

3 As shown in the picture:

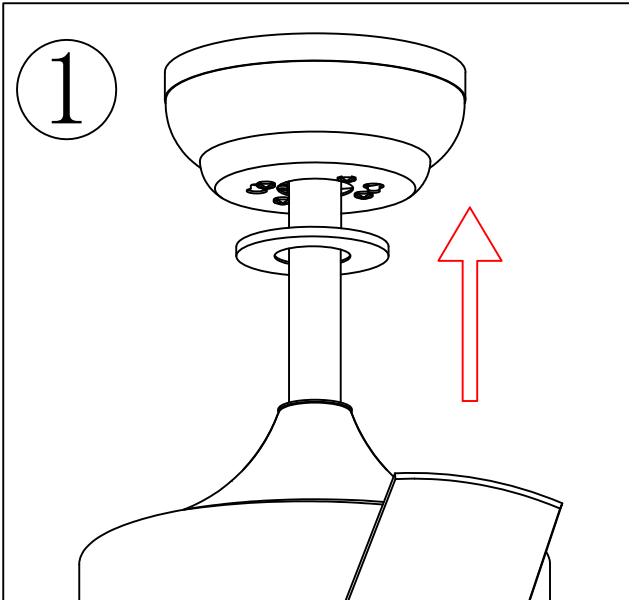


Your ceiling fan may have wobble issues while operating due to irregularities in the blades or blade supports, improper gearing or bent bearings during installation may also cause a number of other issues. This balancing kit can be used to solve some wobble issues.

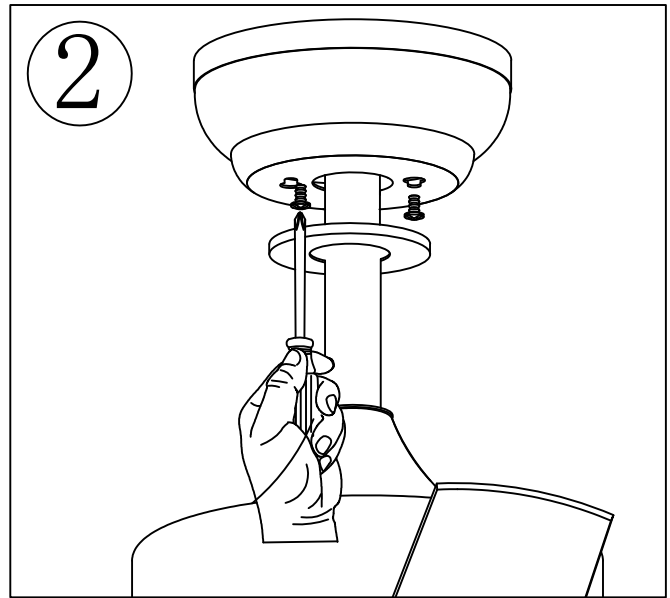


8

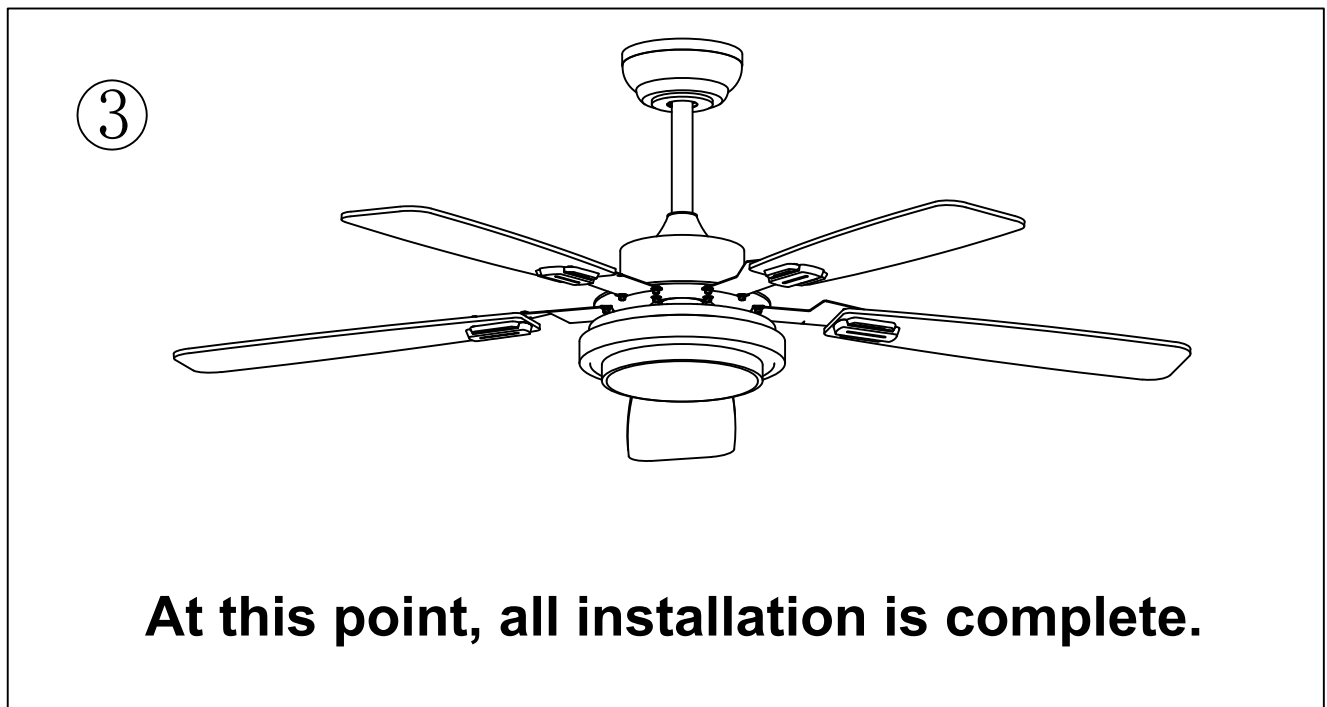
# Step 5: Fix the hanging cup



Push the hanging cup up to the ceiling to fix it parallel to the ceiling, and then wait for the next step.



Use a screwdriver to tighten the two screws at the bottom of the hanging cup to secure the hanging cup, then push the small flat cover up and attach it to the hanging cup



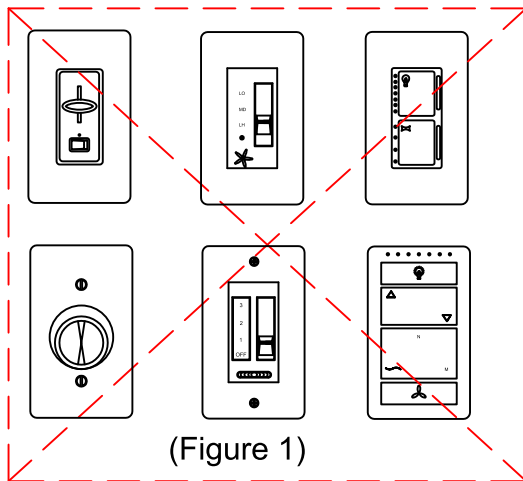
# Step 6: How to operate your ceiling fan

1. IMPORTANT: Using a full-range dimmer switch to control fan speed can damage the fan. To reduce the risk of fire or electric shock, do not use a full-range dimmer to control fan speed (Figure 1)

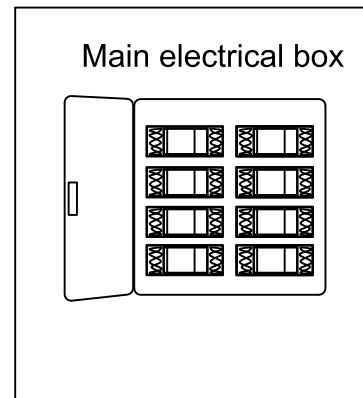
2. Restore power to the electrical box by turning on the power to the main electrical box (Figure 2).

3. Please use the switch as shown in (Figure 3) correctly.

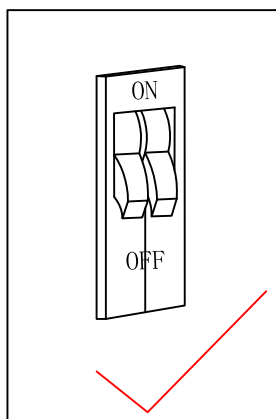
4. Please use the remote control to control the ceiling fan light.



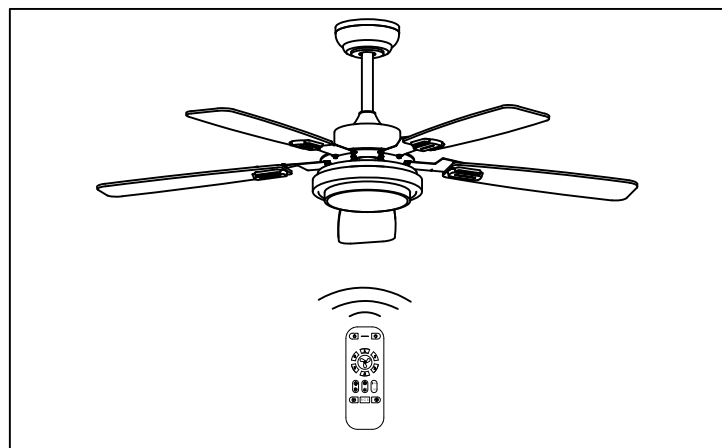
(Figure 1)



(Figure 2)



(Figure 3)



(Figure 4)

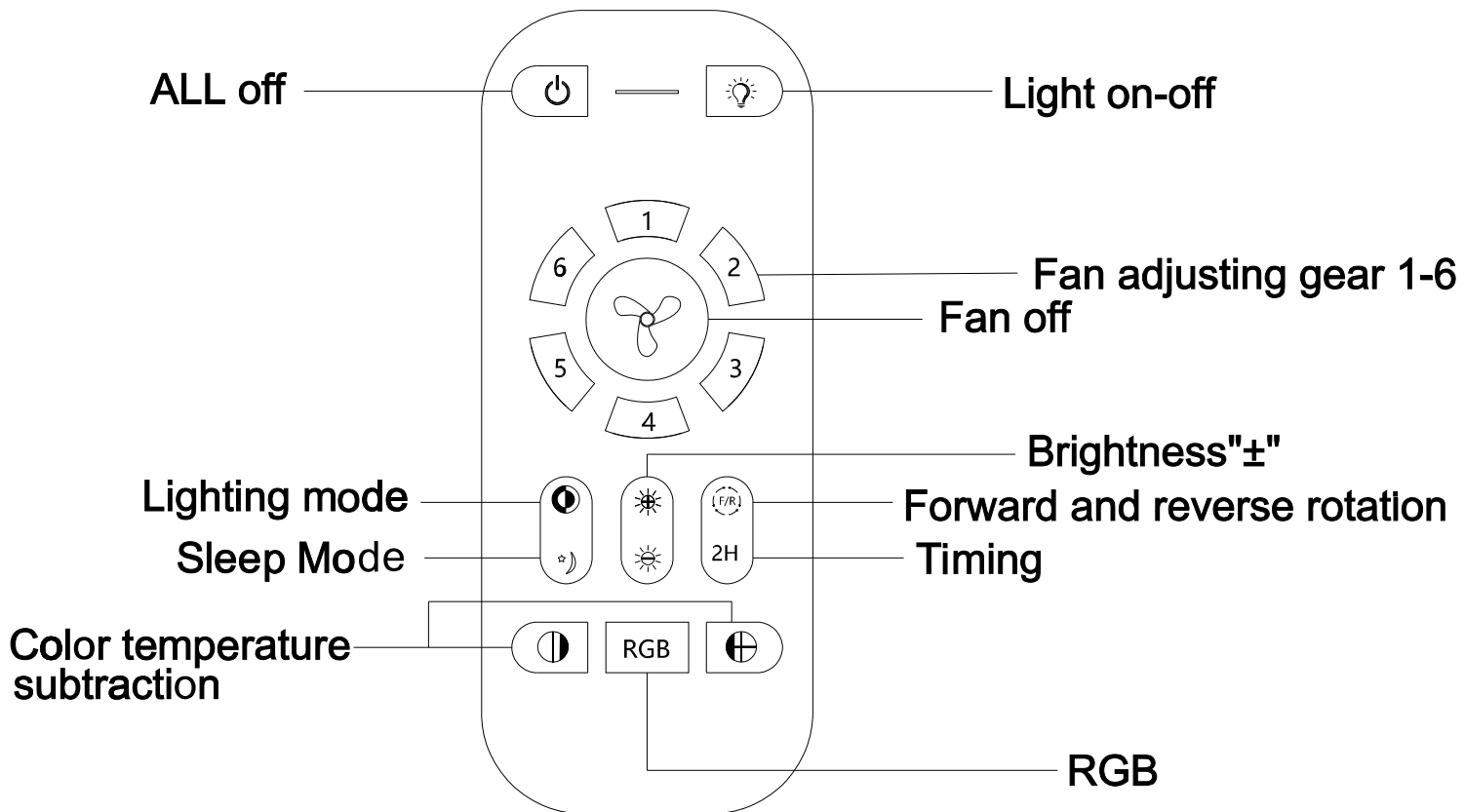


**Warn**

To ensure safety and prevent potential electric shock, use a wall switch and be sure to turn off the power before wiring. Wiring should be done in accordance with state and local electrical codes. As a precaution, wire your ceiling fan correctly. Following these guidelines will help ensure a safe installation.

Do not use variable (adjustable) wall controls or dimmer switches to operate this fan as this may damage the ceiling fan's remote control electronics and it is recommended to use only the provided remote control.

# Remote control use guide



APP Control Applicable

## How to programmed the remote?

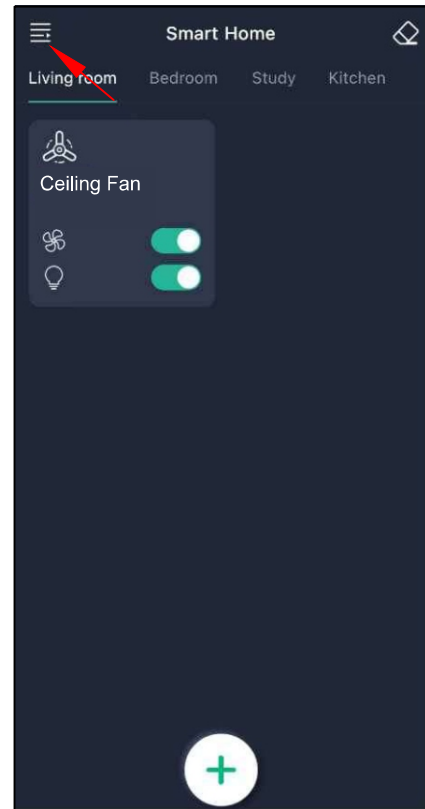
First turn off the wall switch and power off (Do not provide electric), then turn on the wall switch or power on (Provide electric), Long press the "(RGB)" button in 3 seconds for 5 seconds, need to push 3 seconds, after 3 seconds to push, it will not work (Please start process again from beginning). The light flashes, the remote can work normally. Re-Programming finished

NOTE: Scan the QR code and install the APP in your phone, or search and install "Fanlamp Pro" from Google Play, Apple APP stores. Make sure your phone is connected to the internet and bluetooth enabled.  
This APP (FanlampPro) is only for dimming models)

# APP control use guide



Scan and download mobile APP



To get more detailed APP user manual by clicking on the upper left corner

## How to pair the APP with the fan light?

1. Download APP by scan the QR or search " FanLamp Pro" in APP store.
2. Turn on your phone's Bluetooth, please note the fan light device will not show in the bluetooth list. Just turn on the bluetooth is OK.
3. Turn on the APP
4. Select a room, click to add a device name, and confirm, such as "fan light 01"
5. Turn off the fan light by wall switch first, and then turn on the fan light by wall switch again.
6. Press and hold the pairing button on the app for 5 seconds. At this time, the LED light will flash 3-4 times, indicating that the pairing has been successful.

# Care and Maintenance:

- Turn off power before cleaning or performing maintenance.
- dust the fan blades to maintain optimal performance.
- Check and clean the light fixture periodically.

## Troubleshooting:

### If the fan does not start:

1. Check if electricity is turned on at the fuse or circuit breaker.
2. Make sure the wall controller is "ON" and do not use a dimmer.
2. Check all electrical connections to ensure proper electrical connections are made. Refer to instructions on page 8.

### If the fan sounds noisy:

1. Make sure all motor housing screws are tight.
2. Make sure the screws that attach the fan blades to the motor are tight.
3. Make sure the screws securing the light are tight. Make sure the light shade is fixed securely in place.
4. Allow a 24-hour "breaking-in" period. Most noises associated with a new fan disappear during this time.

### If the fan wobbles:

1. Make sure that the semi-circular ball of the upper end of down rod is clamped in the groove gap of the hanger without loosening.
2. To check if the two screws at the lower end of the downrod tightly locked (page 5-2).
3. Check that all blade screws are secure.
4. Most fan wobbling problems are caused by blades unlevel. To check if all blades are at one level by measuring the distance to the ceiling from the tip of each blade.
5. Use the BLADE BALANCING KIT in the package to solve the problem of the blade not at one level.

### If the light doesn't work:

1. Check the wiring between the motor and the driver, and the contact between the driver cable terminals.
  2. Check whether there are loose or disconnected wires in the fan body.
  3. Check whether the LED light source board is loose.
- NOTE: Before entering the body, make sure the body circuit is turned off.

# **THANK YOU FOR USING!**

---

## **WARRANTY**

We offer 1 year limited warranty for our product, and if there is a quality issue with the product you purchase under normal use, please contact us within the warranty period for a solution. Note that accidental or intentional damage is not included in the warranty coverage.