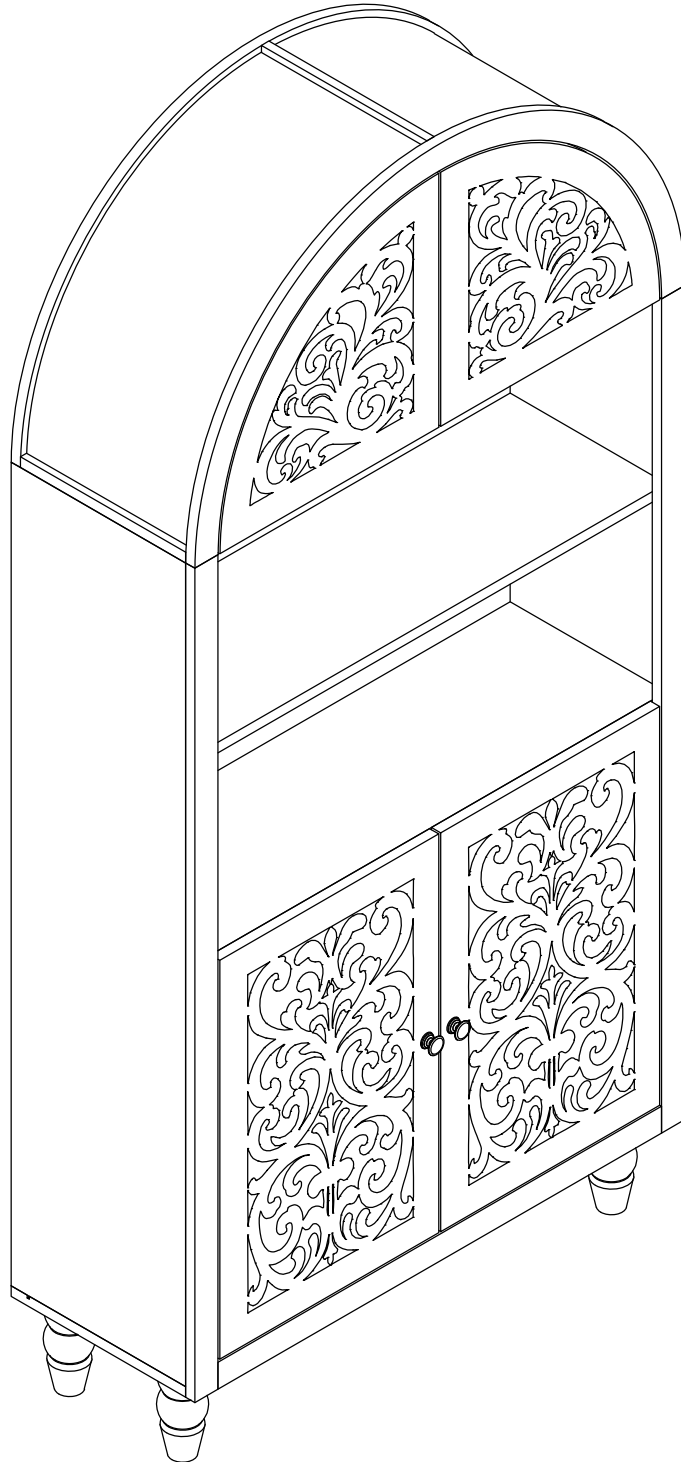
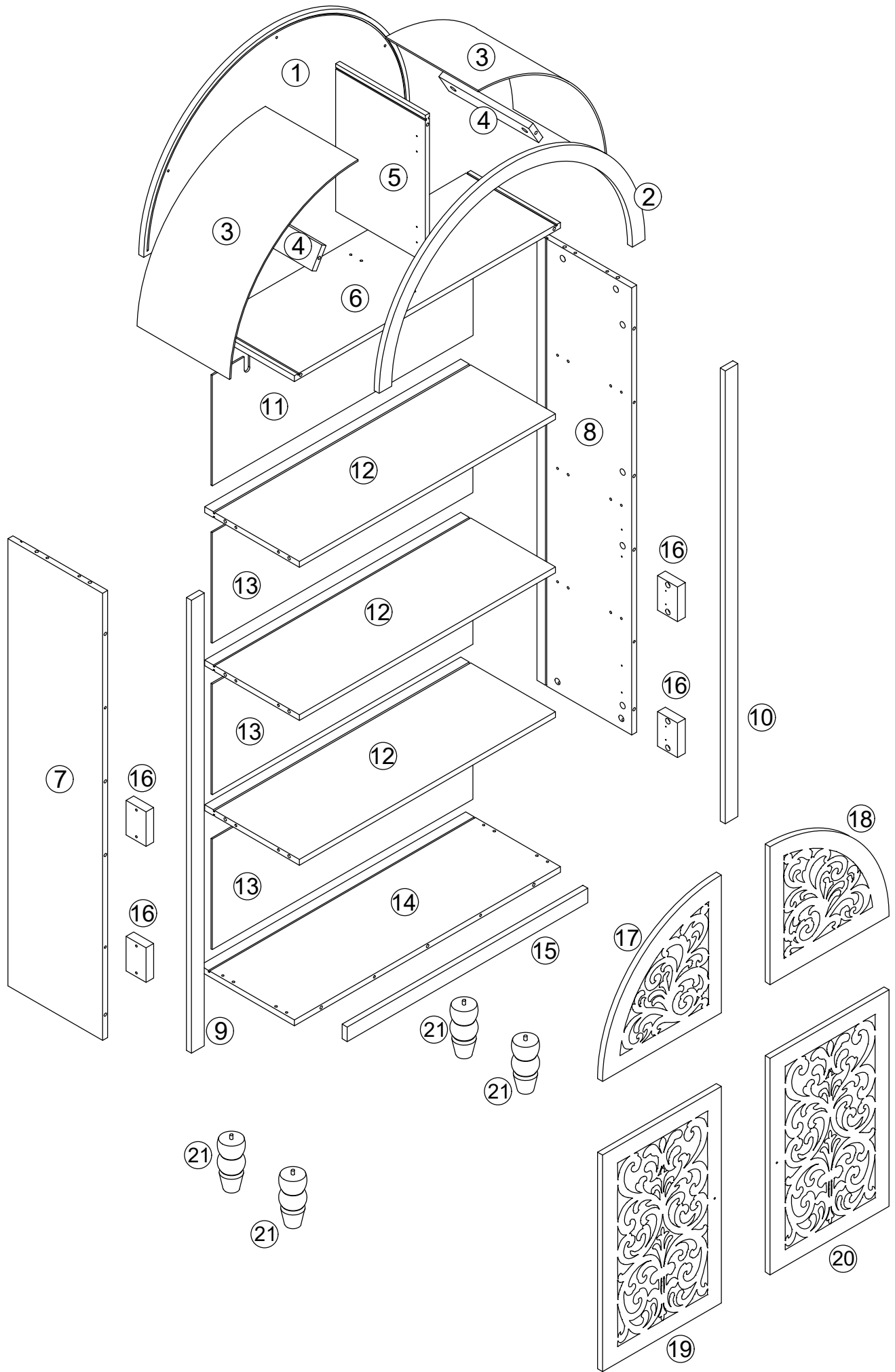
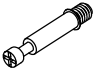


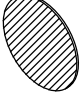
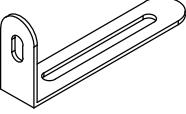
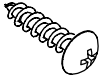
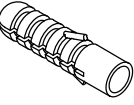
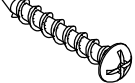

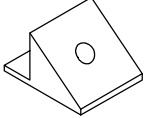
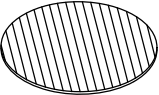
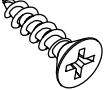
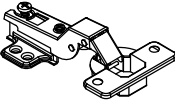
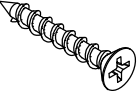


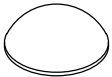
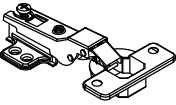


Installation Instruction

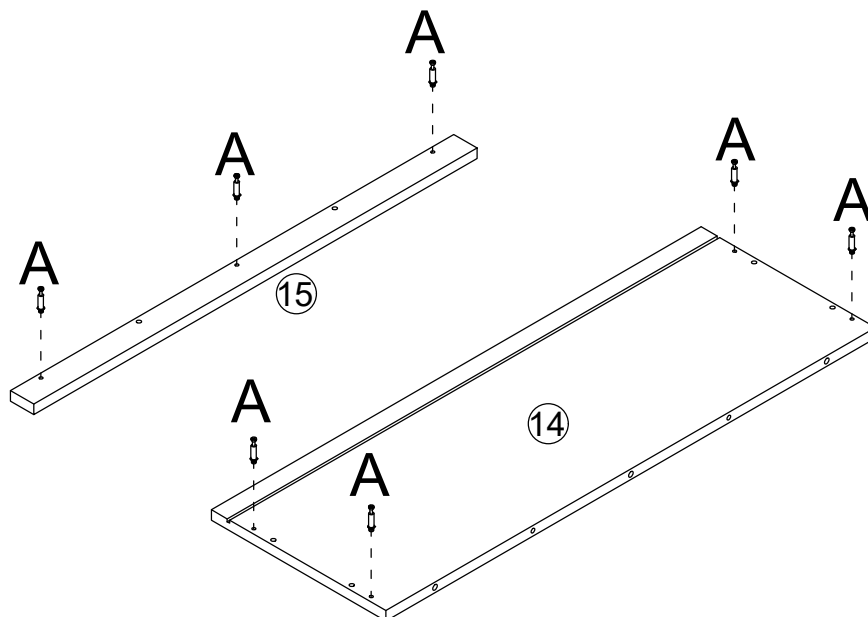


To avoid accidentally discarding small parts or hardware, do not dispose of any packaging of the shipping carton until assembly is completed.

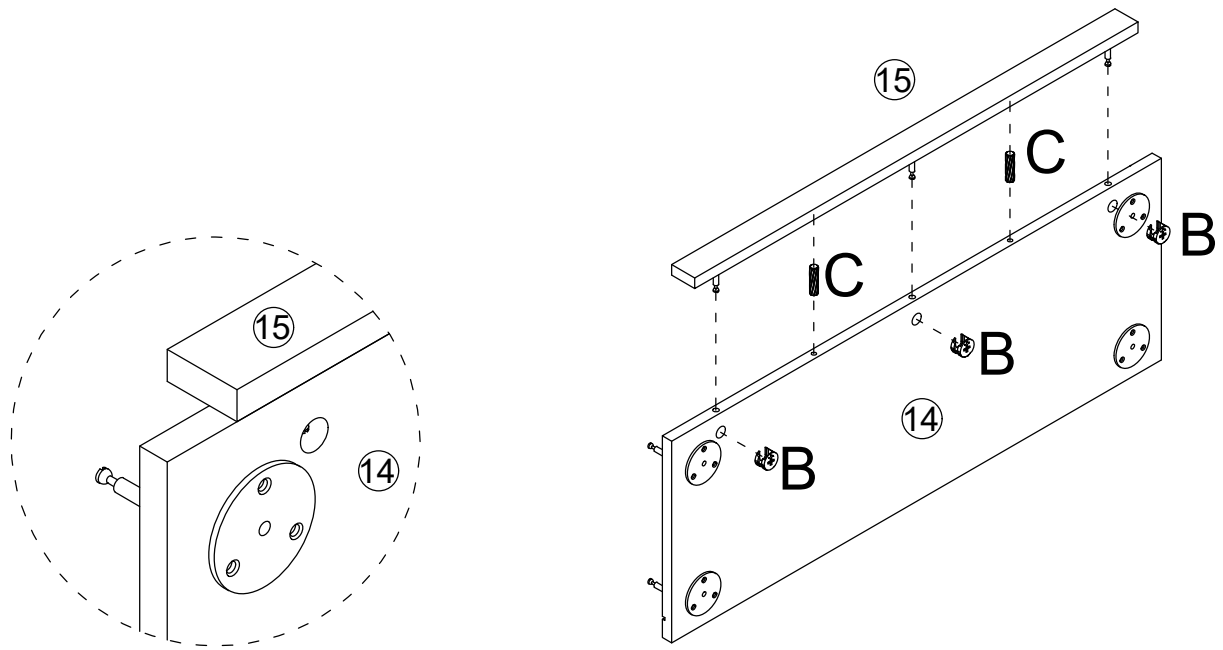


<p>Ax44</p>  <p>Ø6x35mm</p>	<p>Bx44</p>  <p>Ø15x10mm</p>	<p>Cx30</p>  <p>Ø6x30mm</p>	<p>Dx8</p> 
<p>Ex2</p> 	<p>Fx2</p>  <p>M4x12mm</p>	<p>Gx2</p>  <p>Ø6x30mm</p>	<p>Hx2</p>  <p>M4x30mm</p>
<p>Ix16</p>  <p>Ø3x16mm</p>	<p>Jx16</p> 	<p>Kx4</p> 	<p>Lx48</p>  <p>Ø4x12mm</p>
<p>Mx4</p> 	<p>Nx8</p>  <p>Ø4x30mm</p>	<p>Ox2</p> 	<p>Px2</p>  <p>Ø4x25mm</p>
<p>Qx6</p> 	<p>Rx4</p> 		

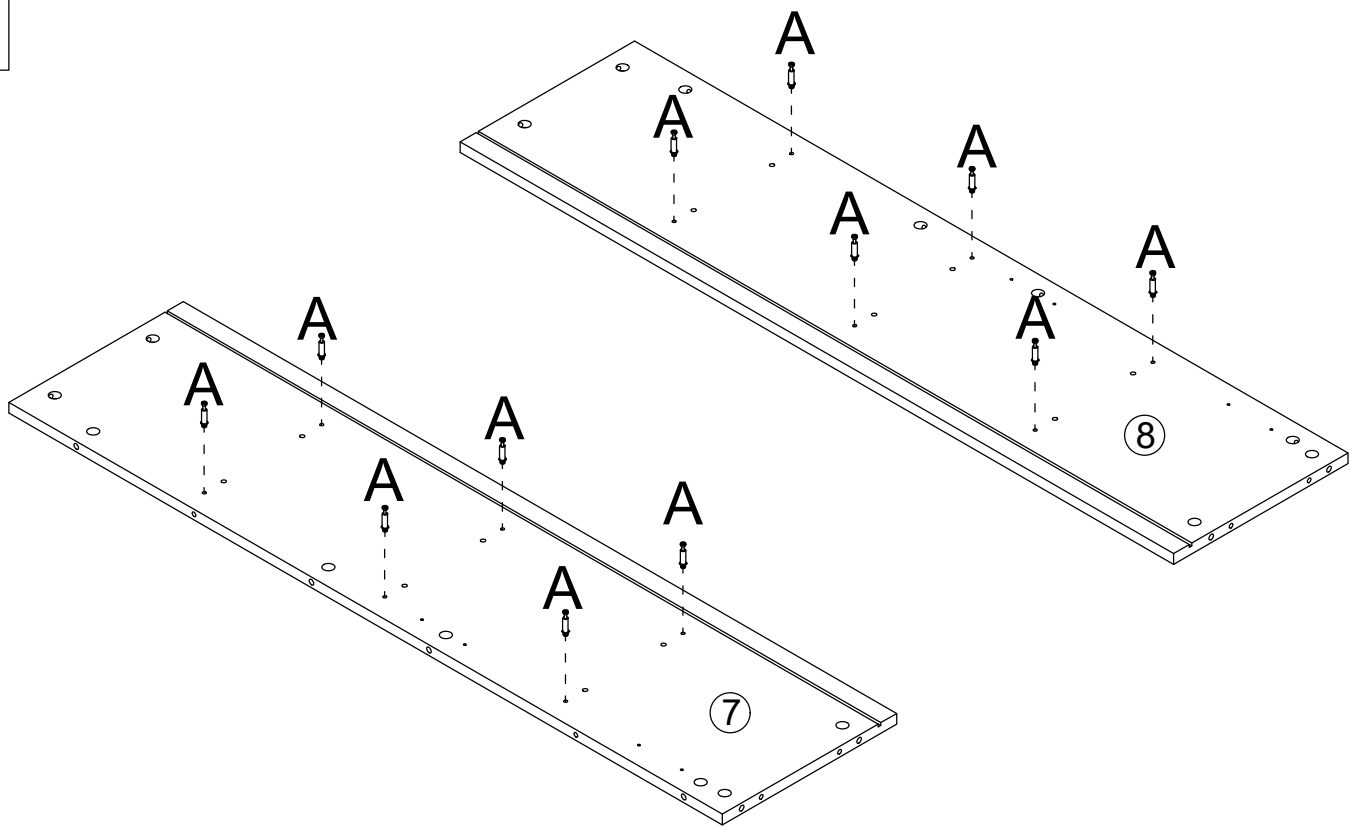
1



2

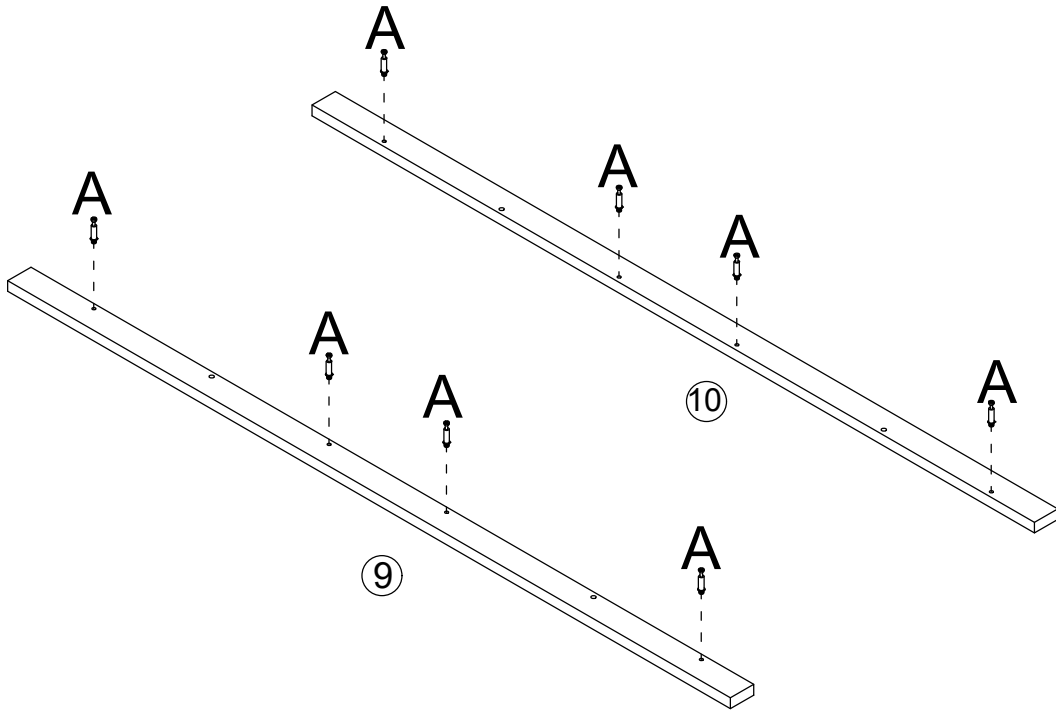


3

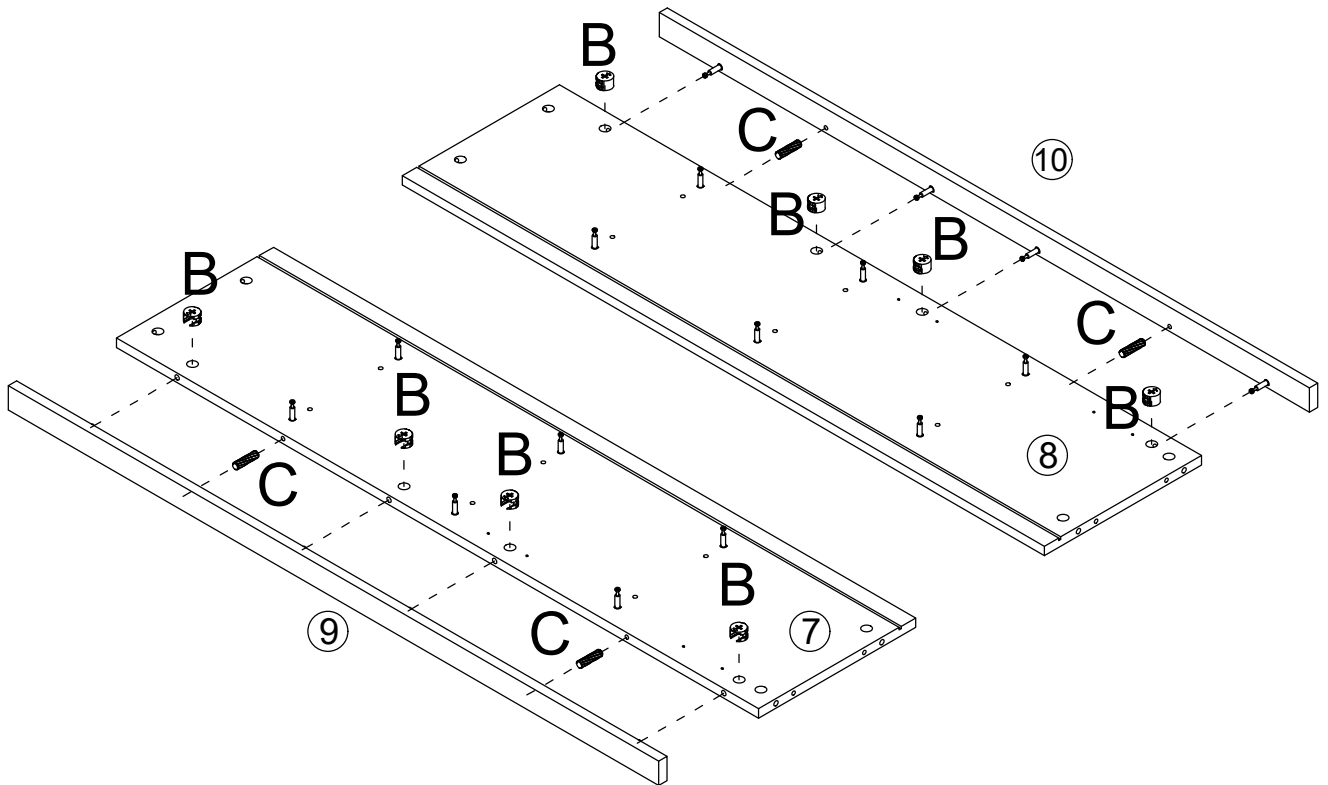


The accessories for NO.7 and No.8 are differentiated between left and right sides. Please install them according to the corresponding numbers.

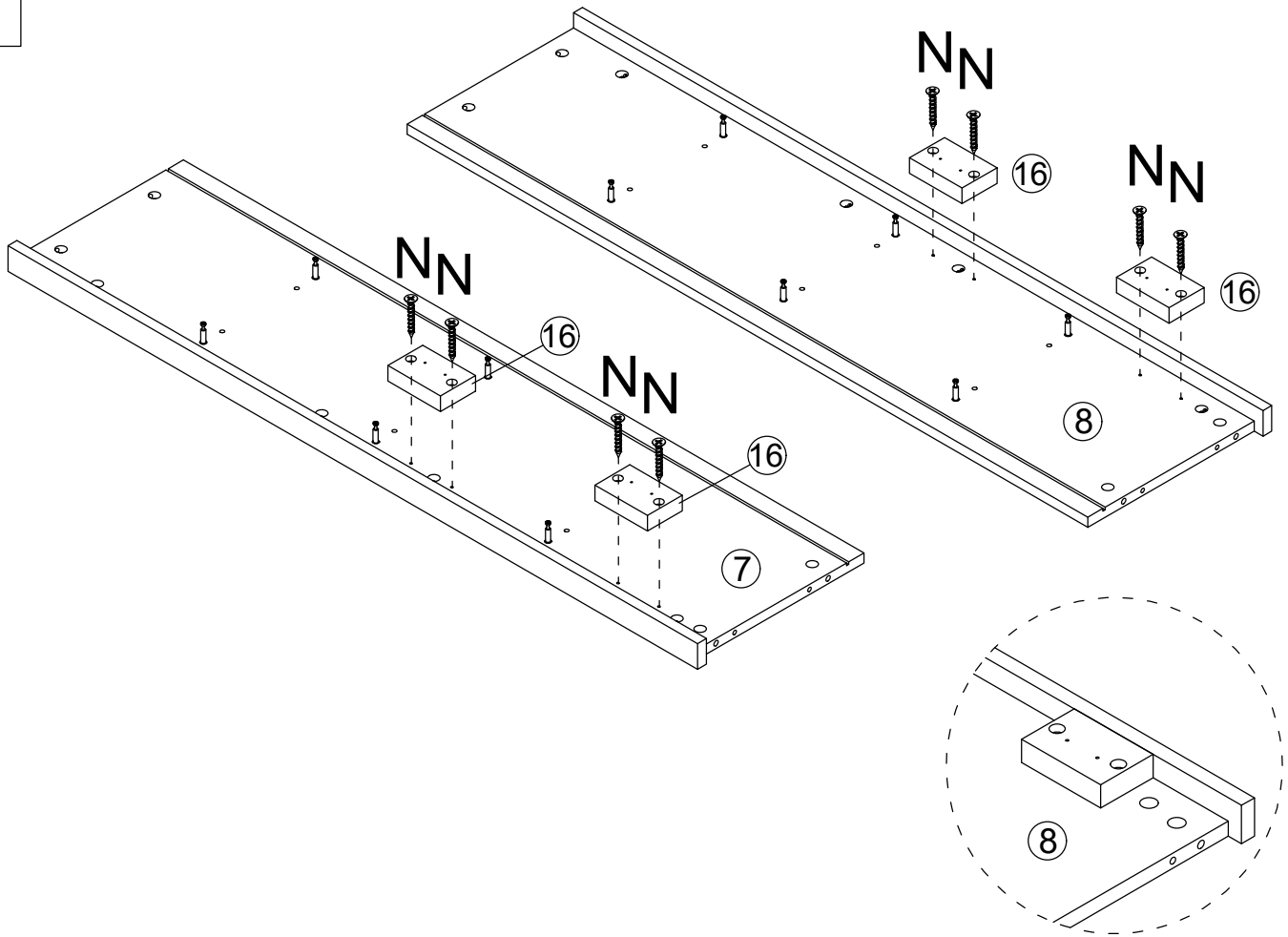
4



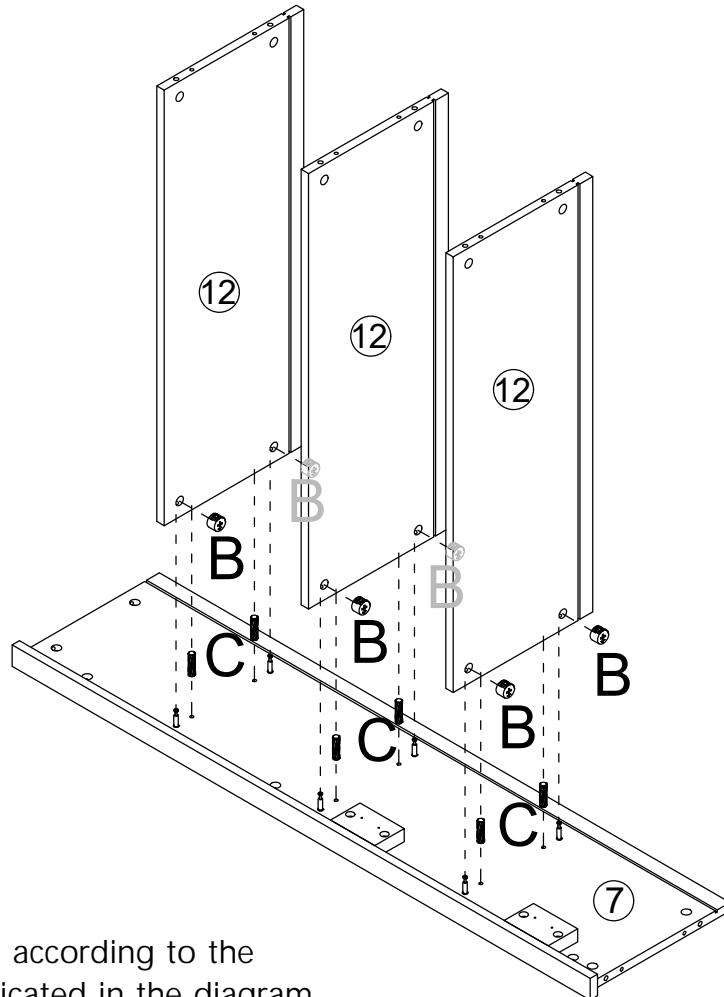
5



6

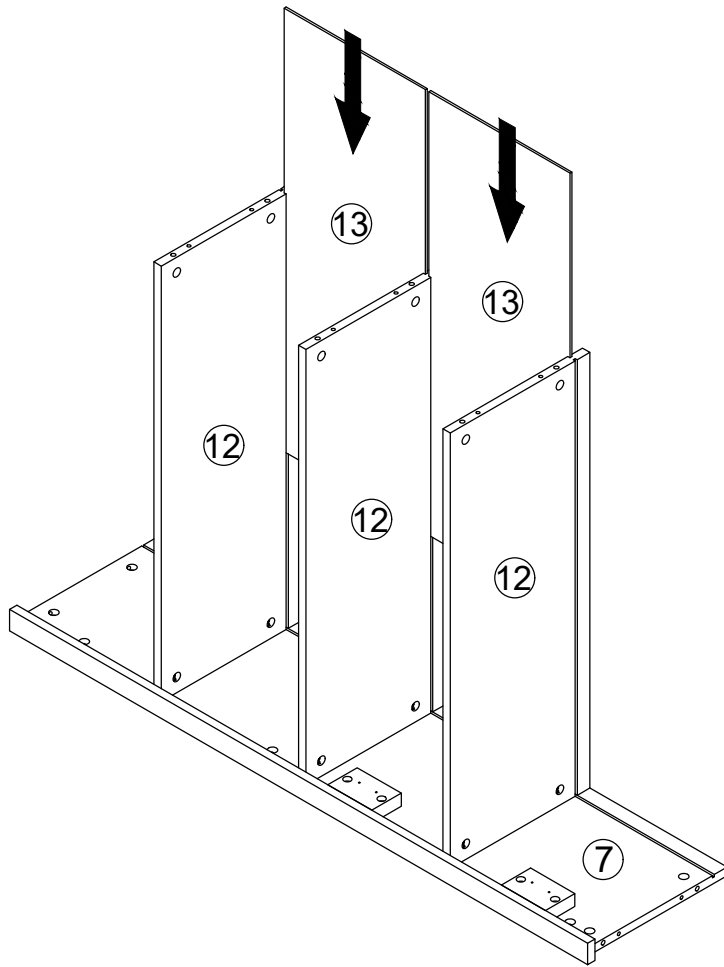


7

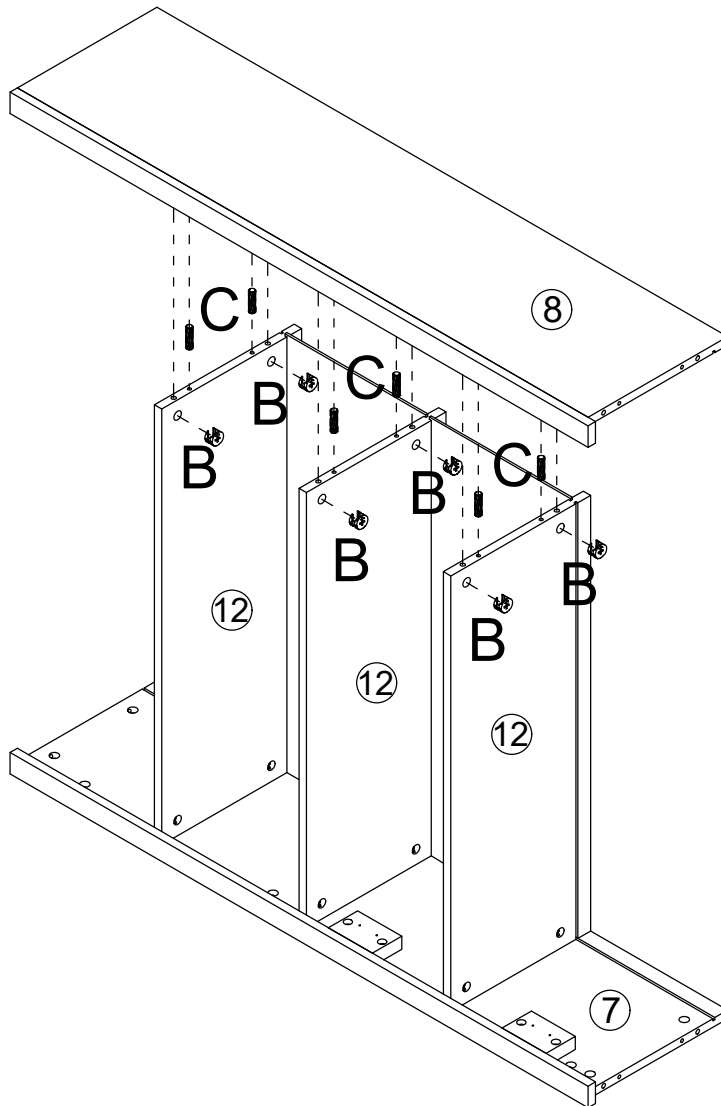


Please install according to the direction indicated in the diagram.

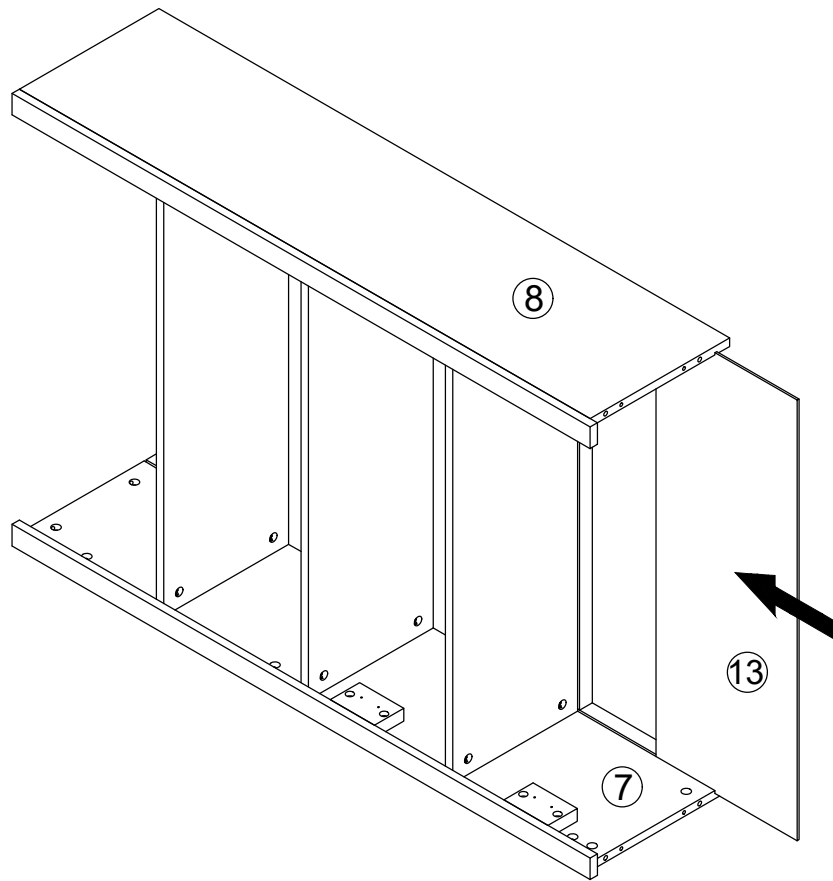
8



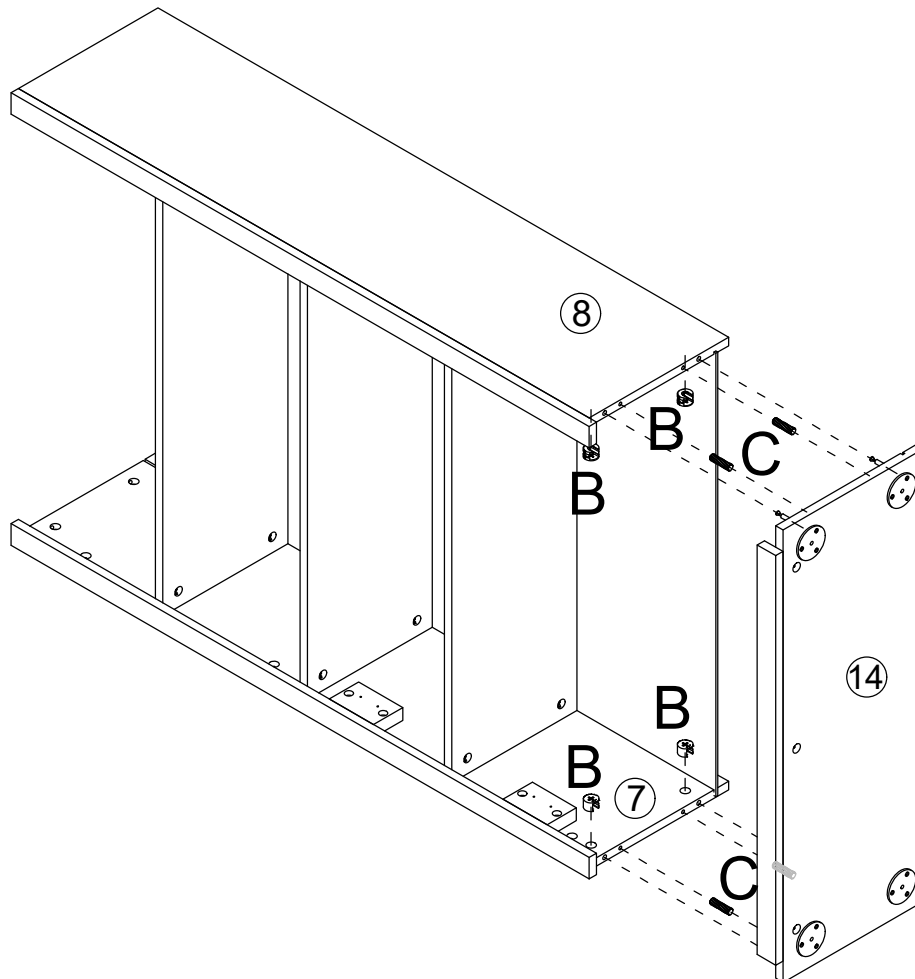
9

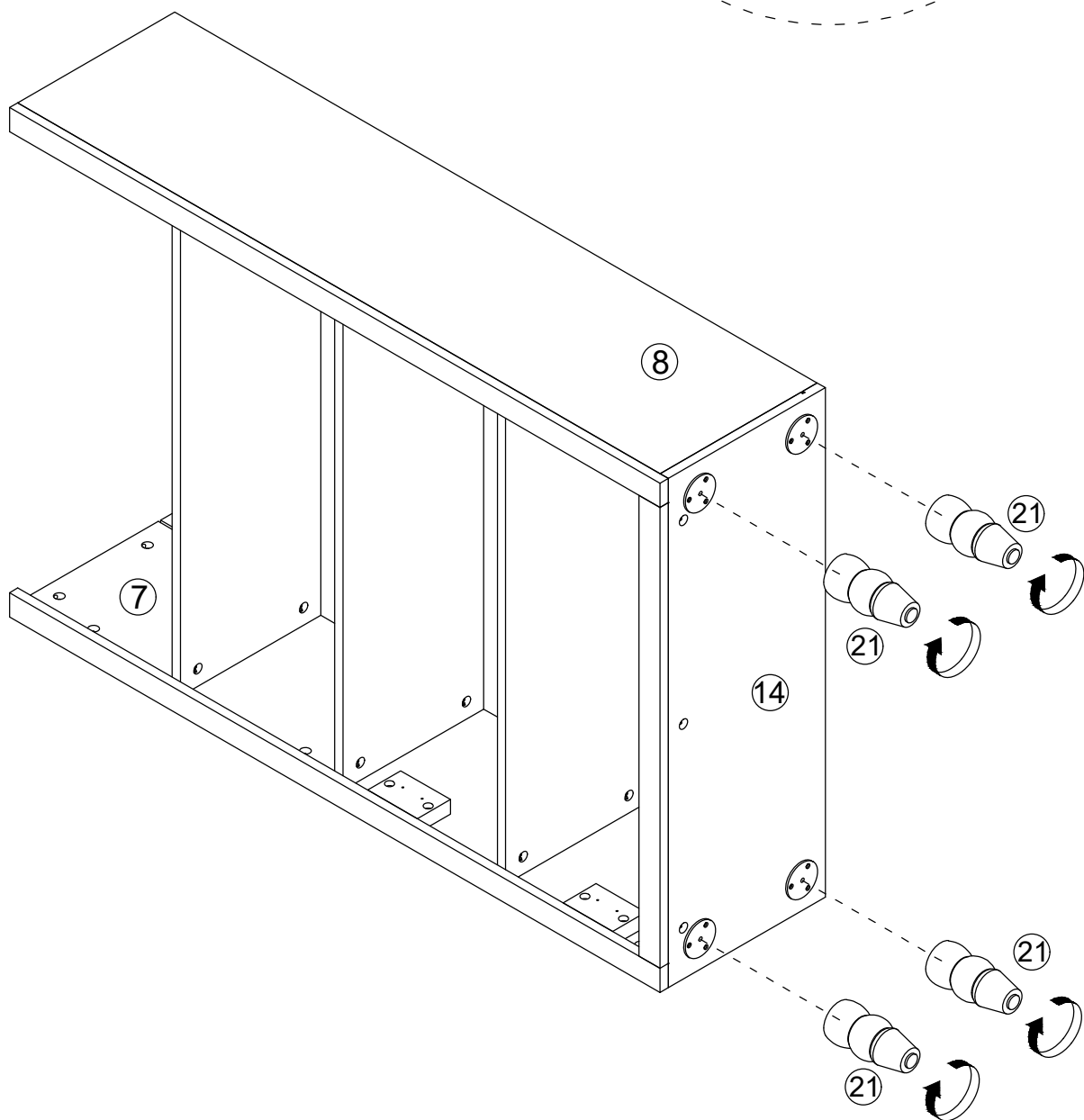
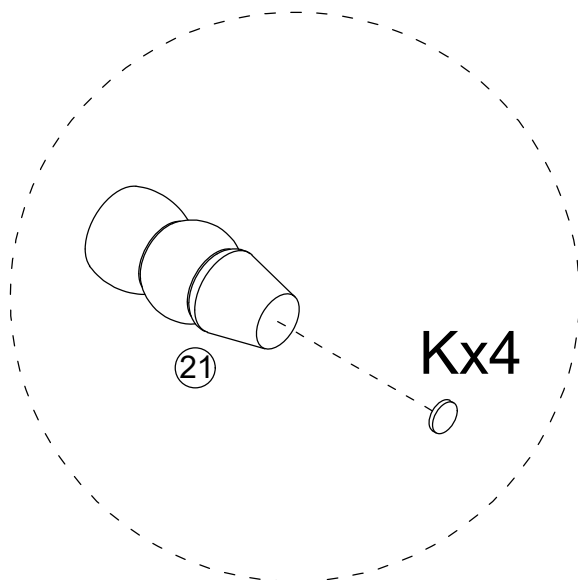
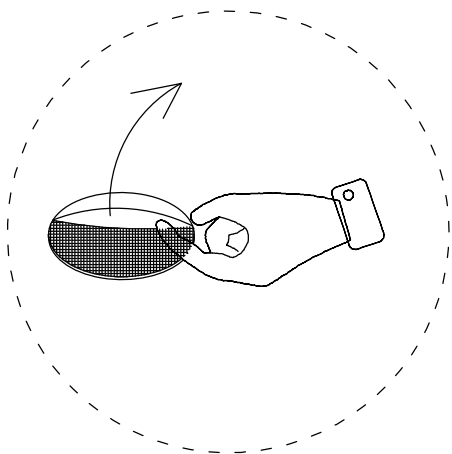


10

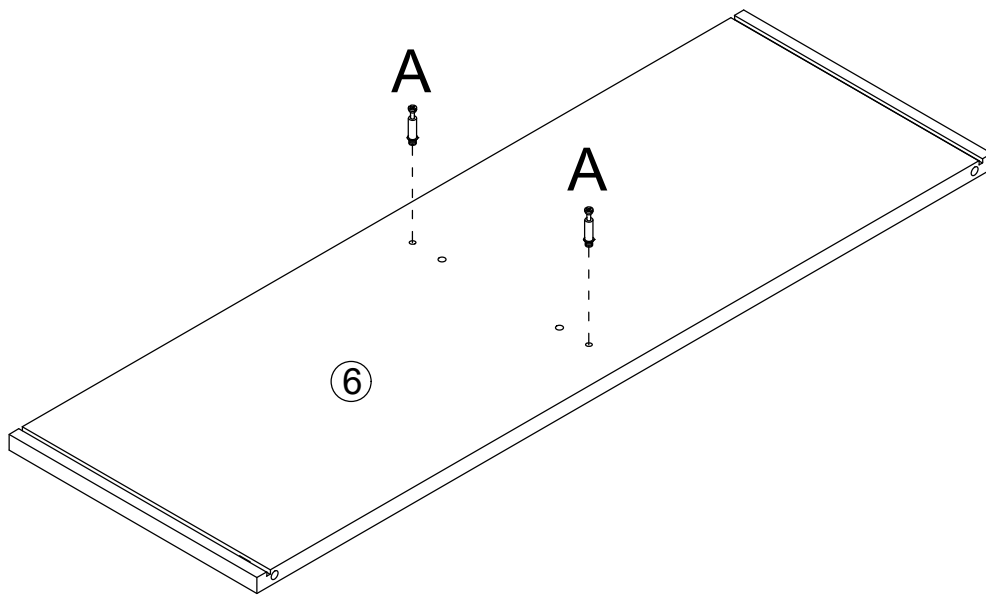


11

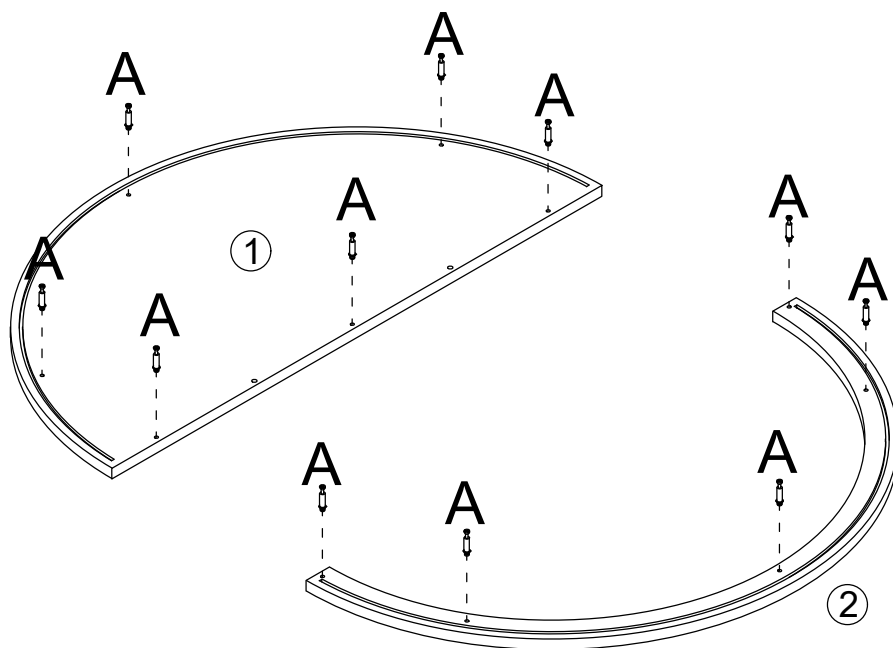




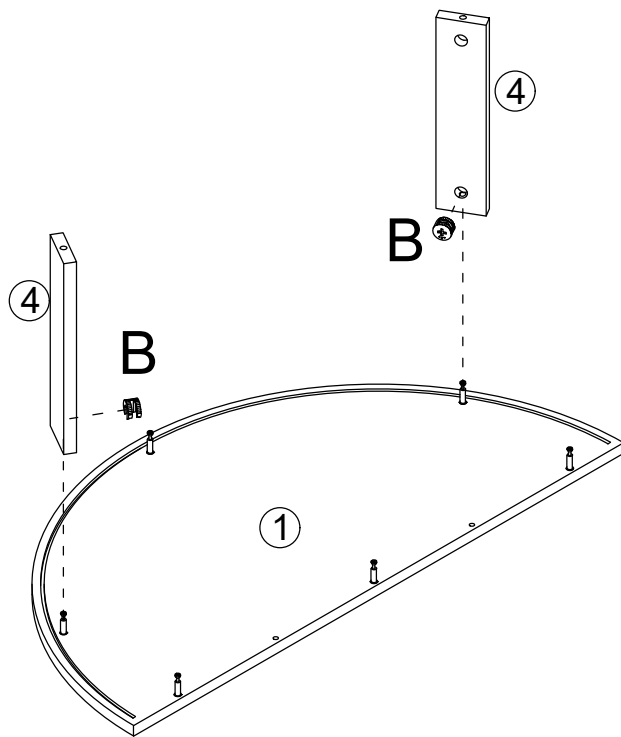
13



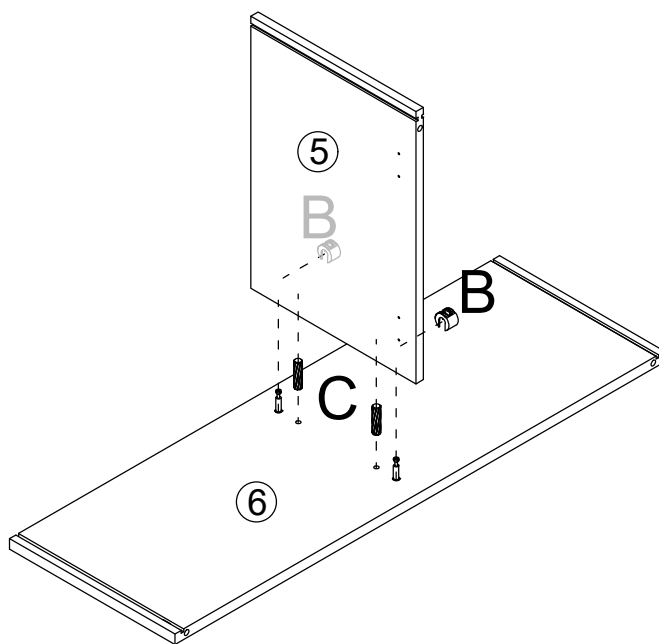
14



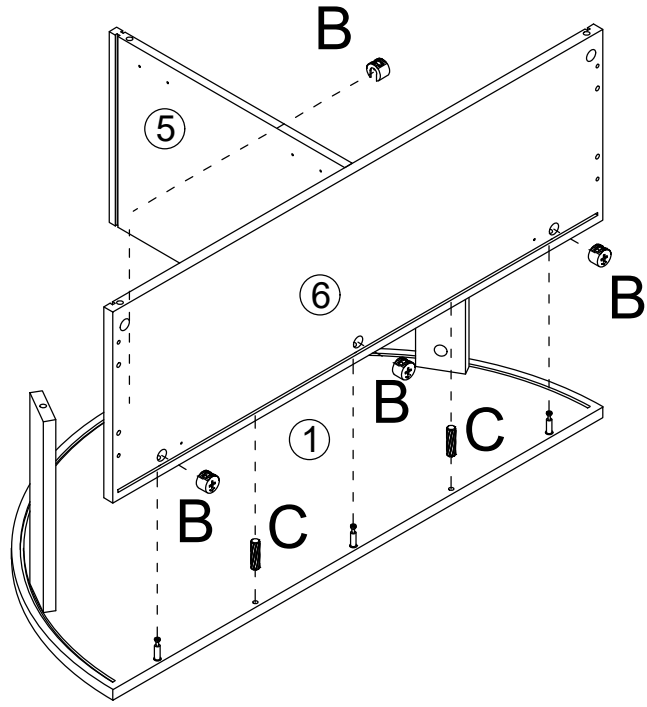
15



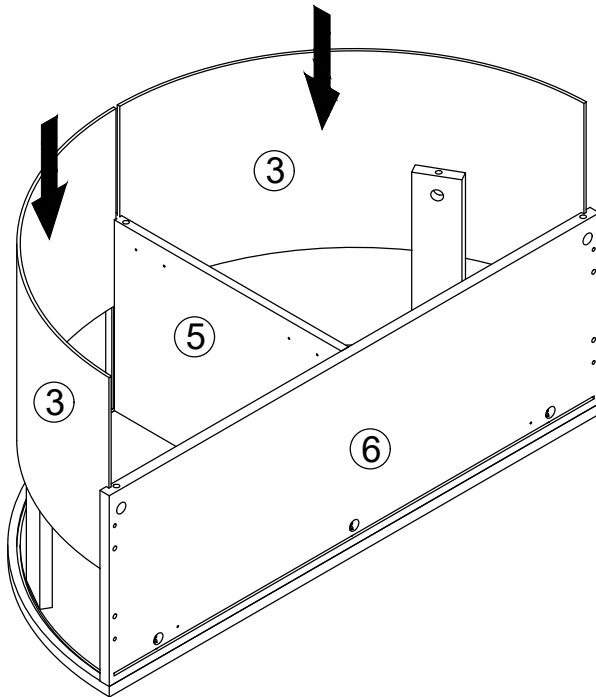
16



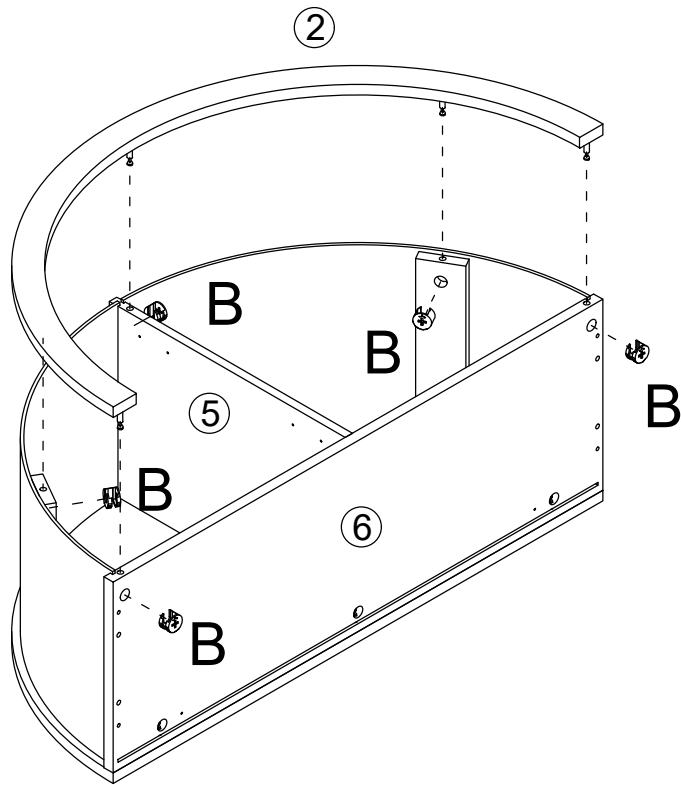
17



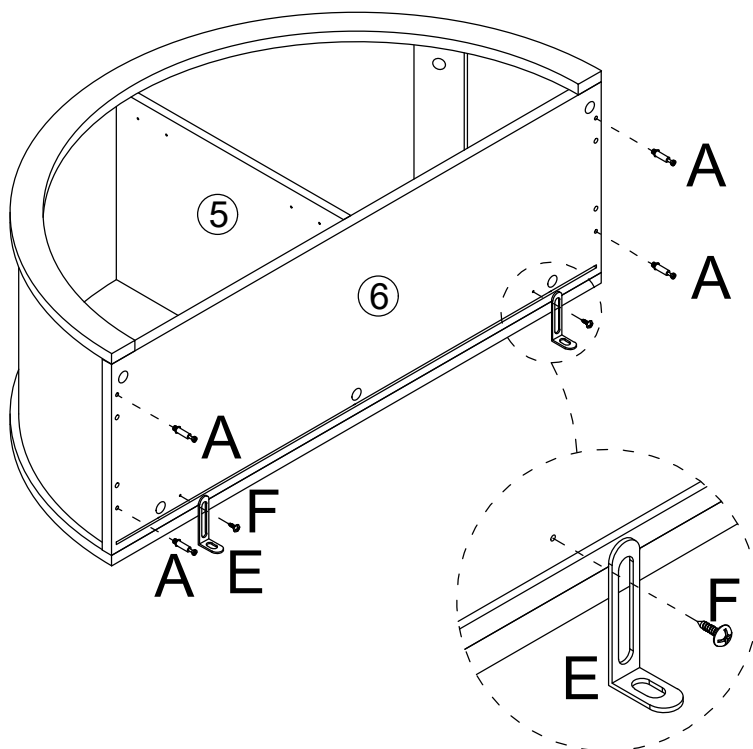
18

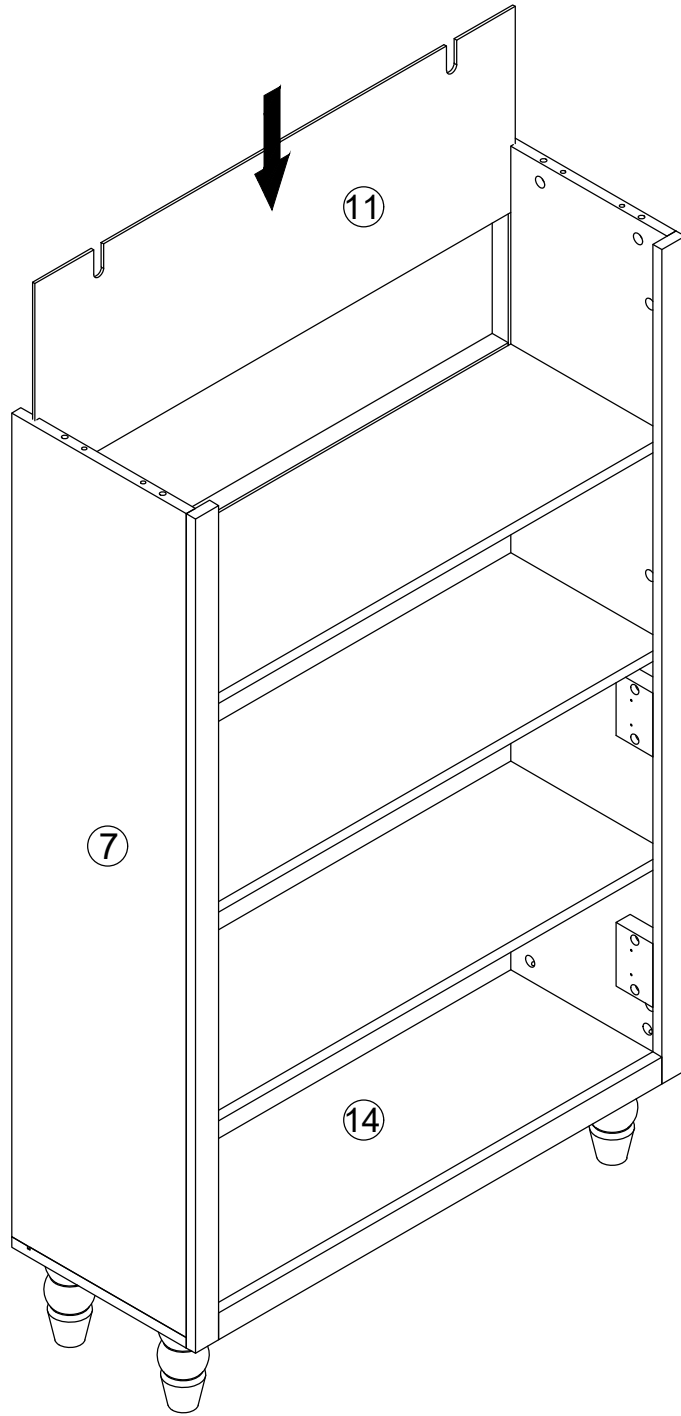


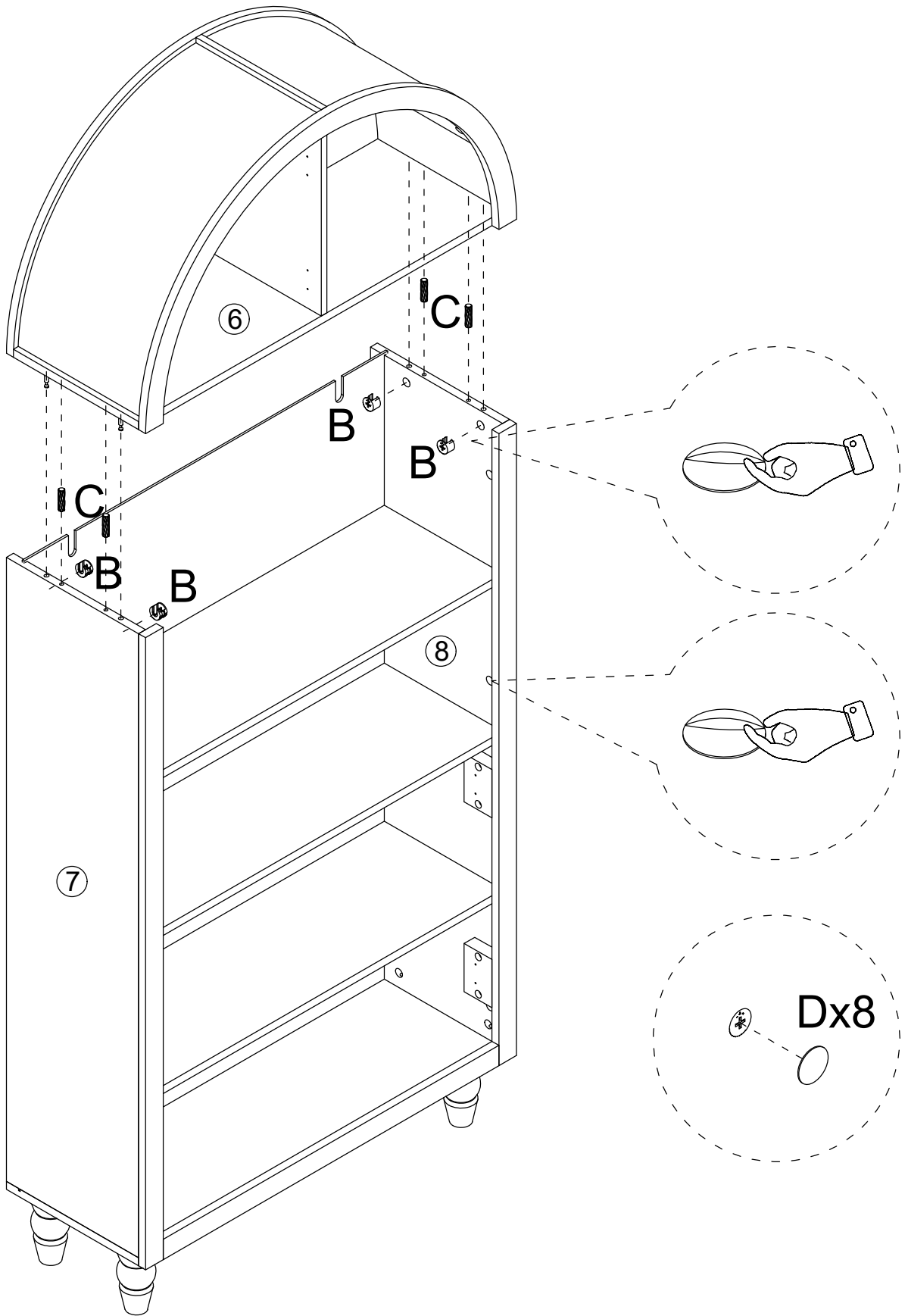
19

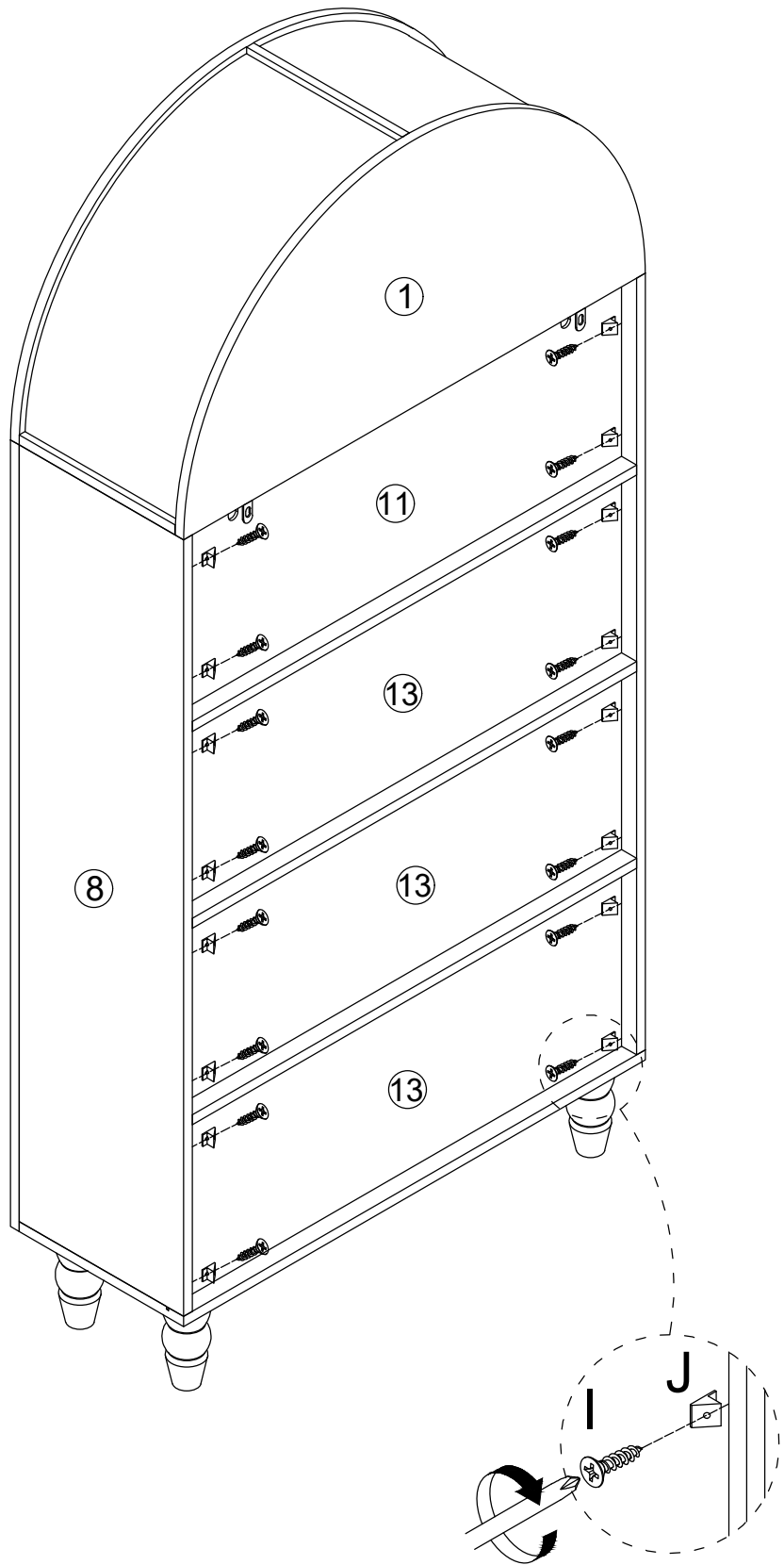


20





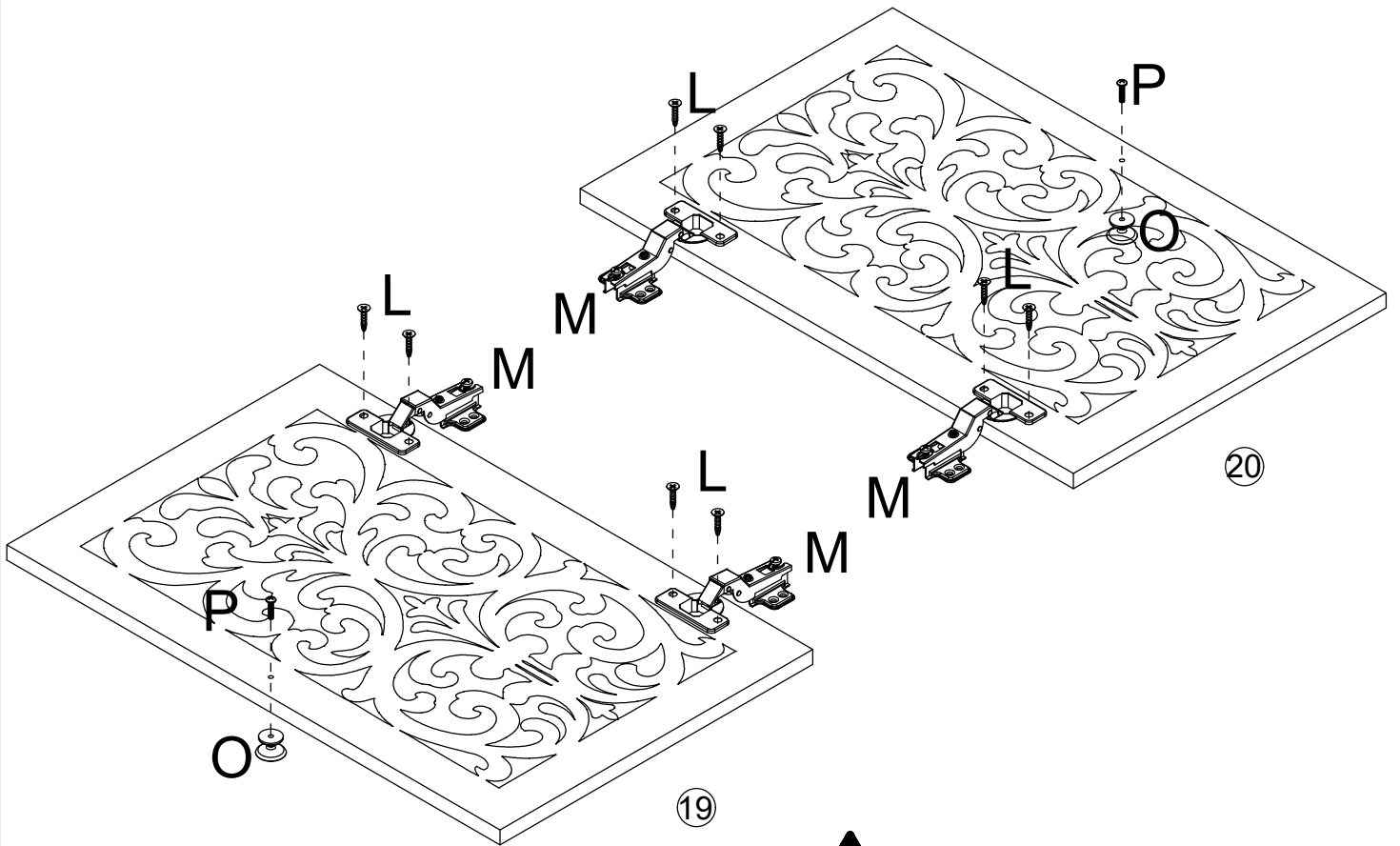
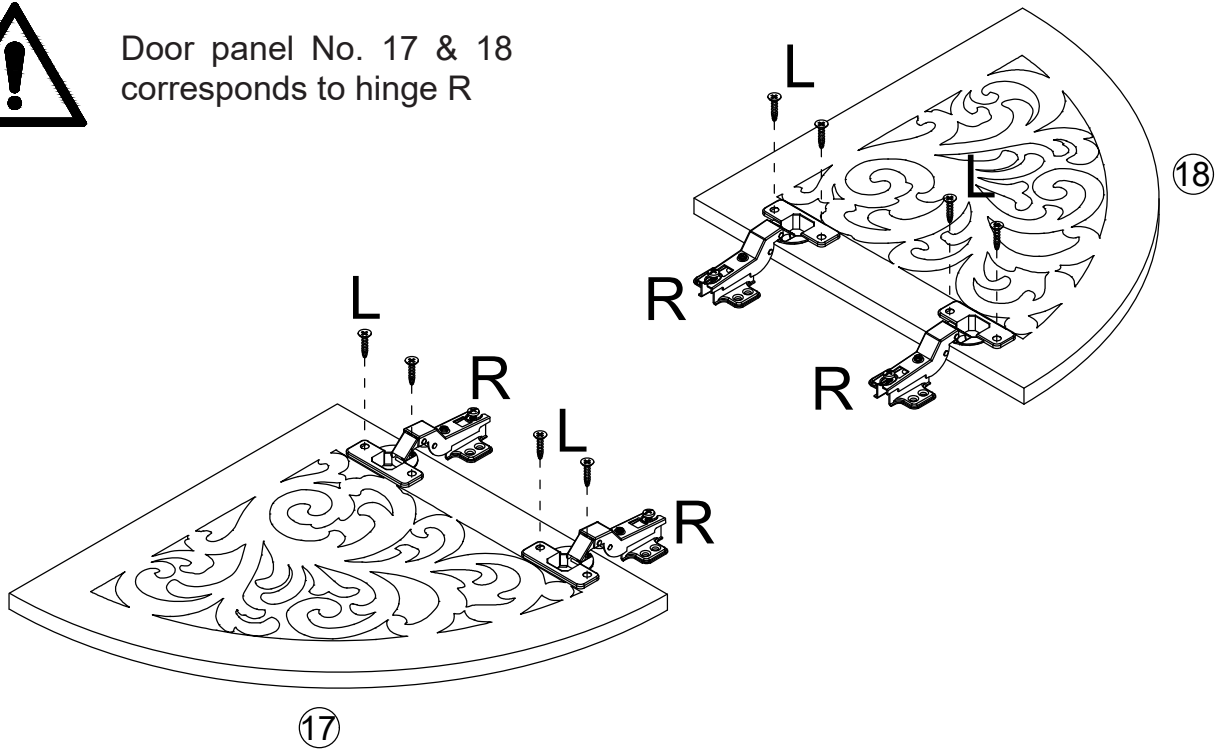




After assembling the cabinet, then lock the back panel clips.

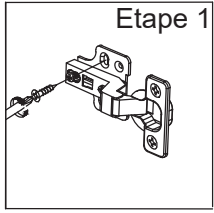


Door panel No. 17 & 18 corresponds to hinge R

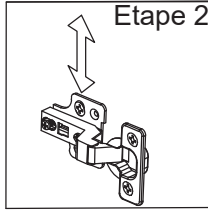


Door panel No. 19 & 20 corresponds to hinge M

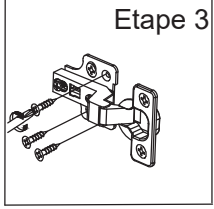
Hinge adjustment steps



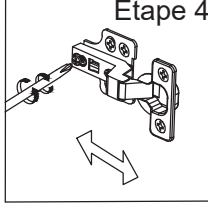
Etape 1
Pre-fixed screws



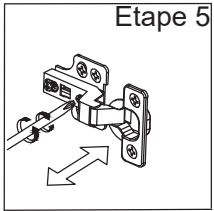
Etape 2
Adjust the door panel to the proper position



Etape 3
Tighten all screws



Etape 4
Adjust the door panel front and rear position



Etape 5
Adjust the door panel left and right position

