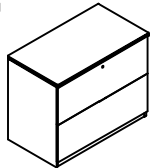


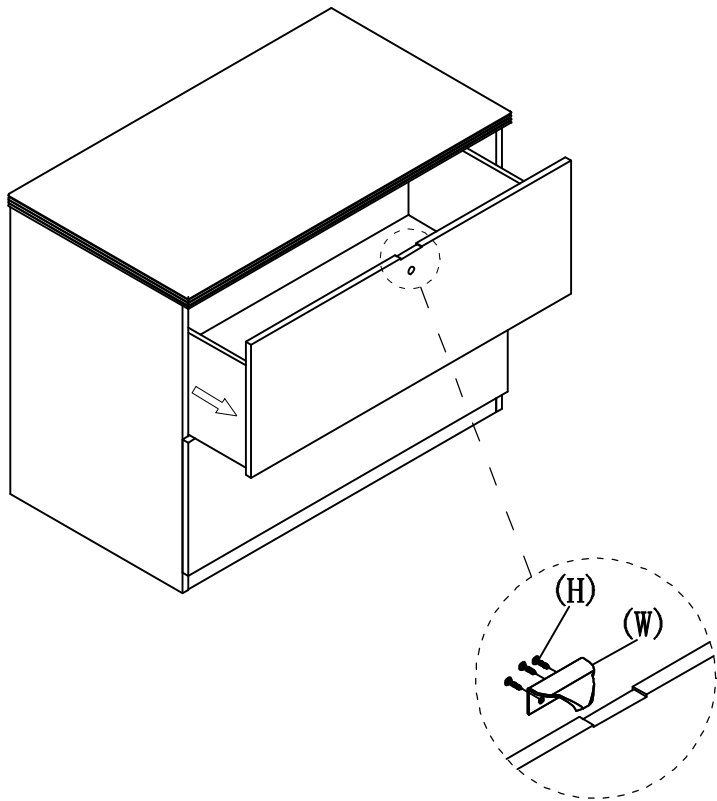
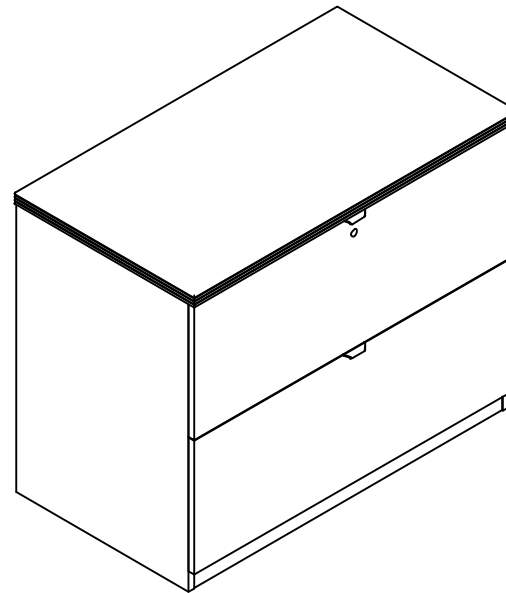


<p>(1)</p>  <p>1PCS</p>	<p>(H) $\phi 4*12mm$</p>  <p>6PCS+1</p>	<p>(W) Drawer Pull</p>  <p>2PCS</p>
---	---	--

STEP 1



STEP 2



NAME: 2 DRAWER LATERAL FILE

SPECIFICATION: 36W"*20"D*29"H

Always lay components on clean, soft cushioned surface only.