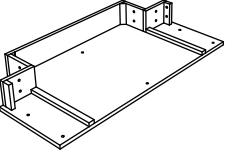
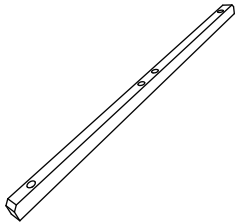
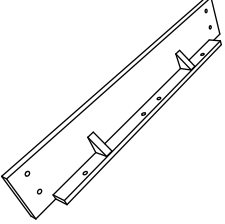
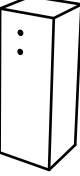
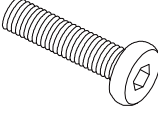
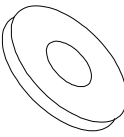
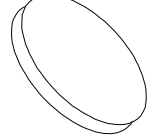
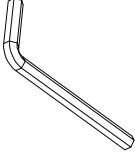
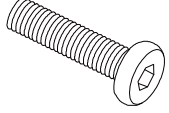
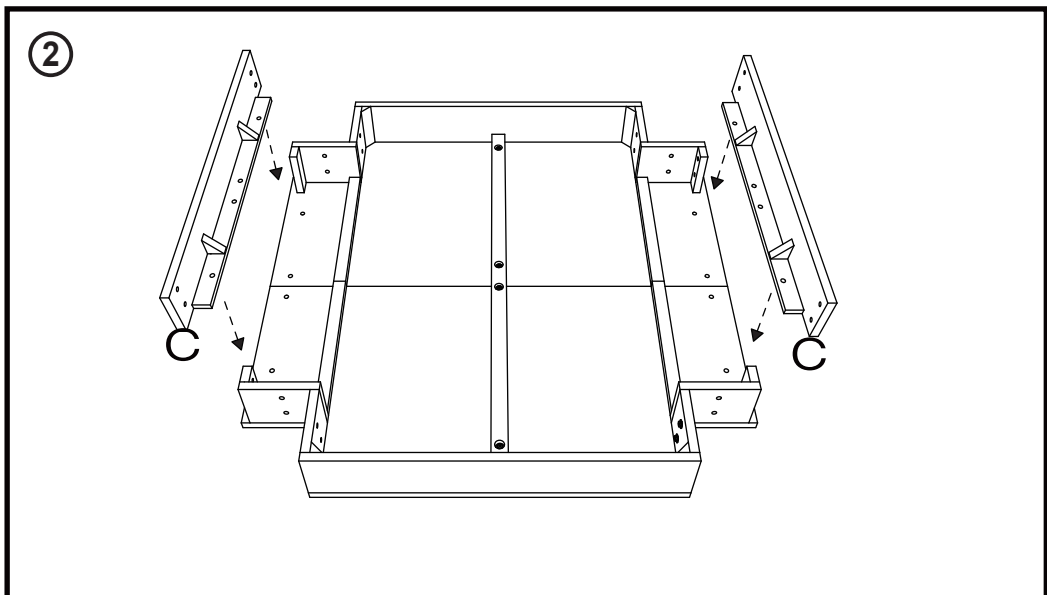
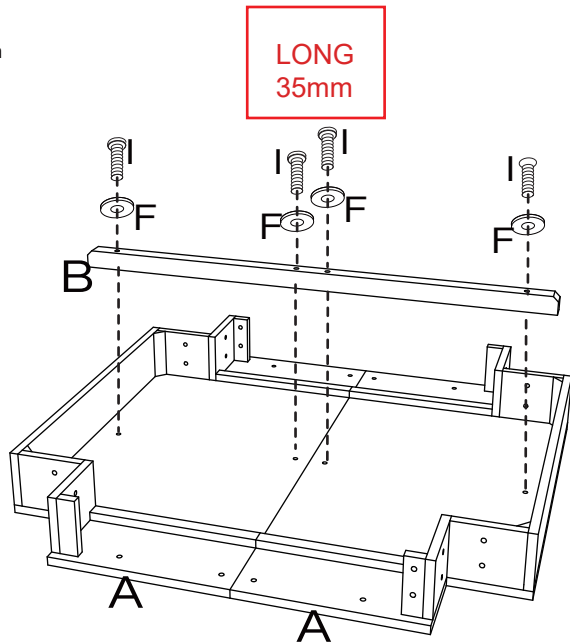


A 2PCS 	B 1PC 	C 2PCS 	D 4PCS 	
E 32+1PCS  M6x30mm	F 36+2PCS 	G 4+2PCS 	H 1PC 	I 4+1PCS  M6x35mm

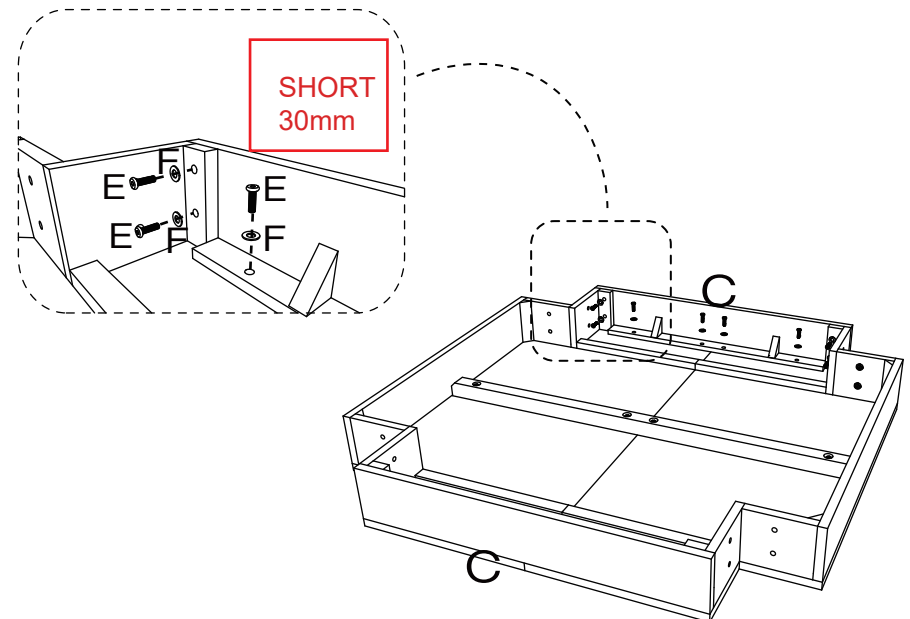
① Assembly Tips: You must not tighten any screw yet in this step
NOTE: Use 4pcs long #I 35MM screws. Do NOT use #E screws

Fx4
Ix4
M6X35 mm

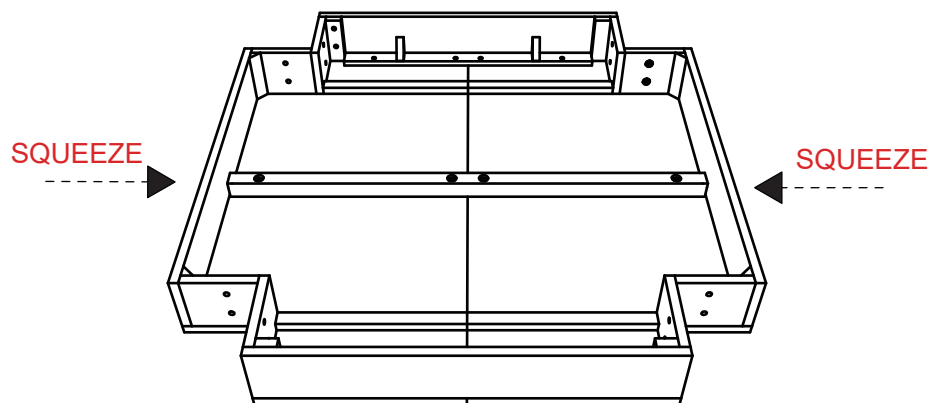


③ Assembly Tips: You must not tighten any screw yet in this step
NOTE: Use 16pcs short #E 30MM screws.

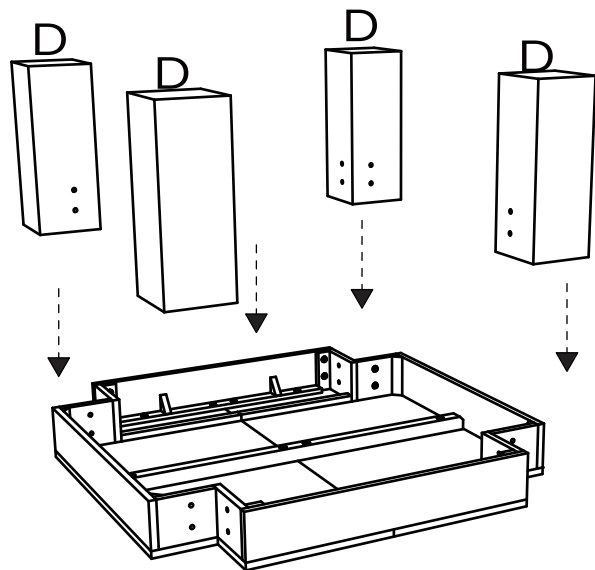
Ex16
M6X30 mm
Fx16



④ Adjust the gap between the panels, and then tighten the screws.

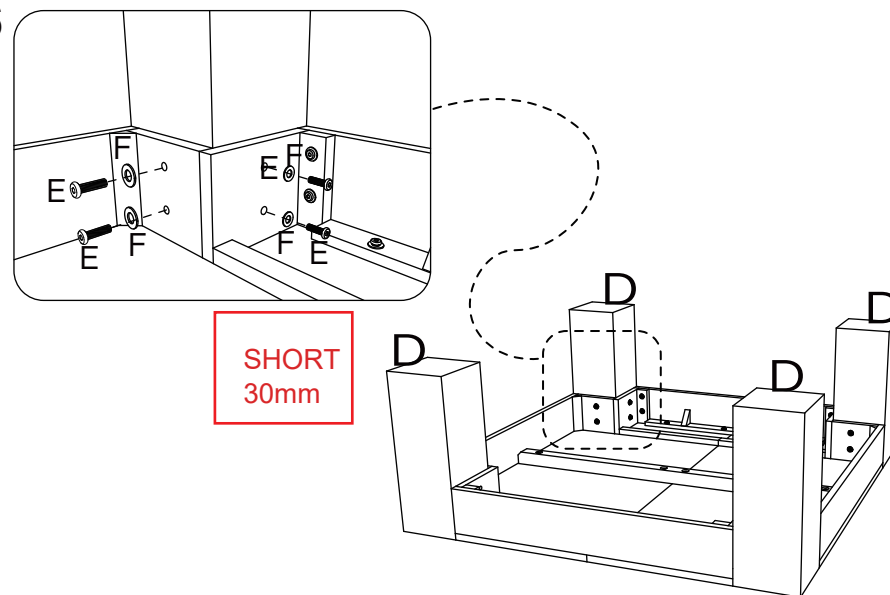


⑤

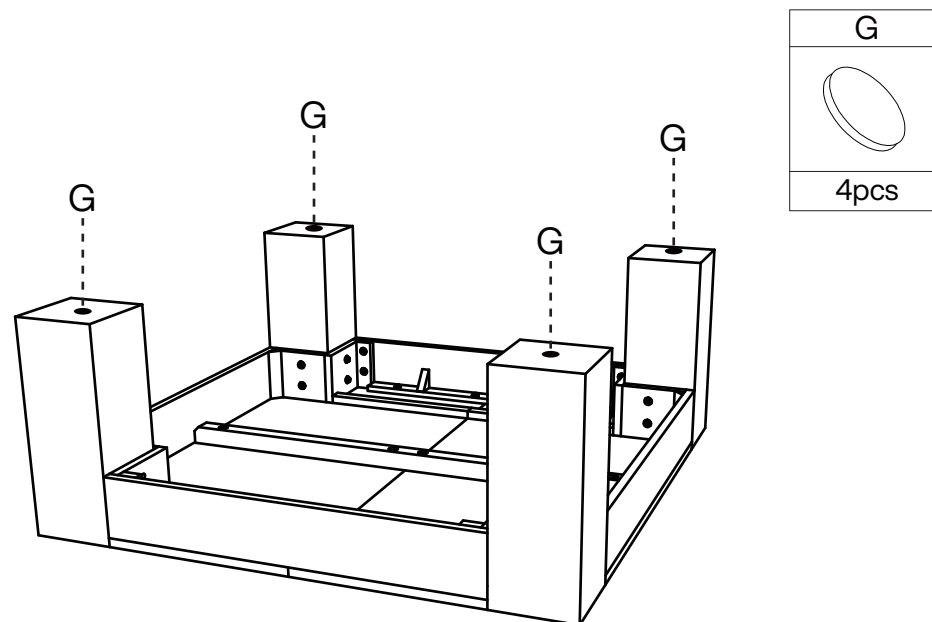


⑥ Assembly Tips: You must not tighten any screw yet in this step
NOTE: Use 16pcs short #E 30MM screws.

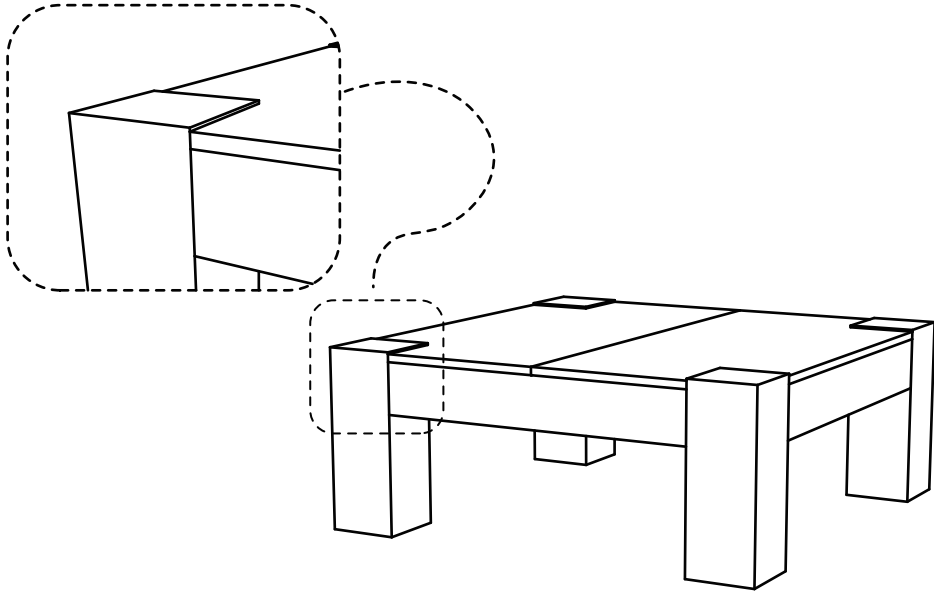
Ex16
M6X30 mm
Fx16



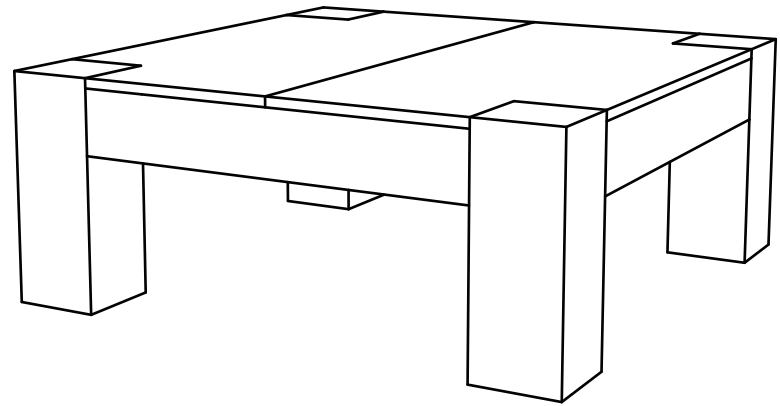
⑦



⑧ Adjust the height of the table top and feet, and then tighten the screws.



⑨



If there is any missing, please kindly send us messages to let us know the name of missing part regarding to the first page of instructions.
Please also provide us your full address so we can send replacement to you as soon as possible
We are concerned about each customer's experience, if there is any loss or damage, please contact us at any time, we will provide effective solutions.
Please attach your Order ID so that we can assist you better