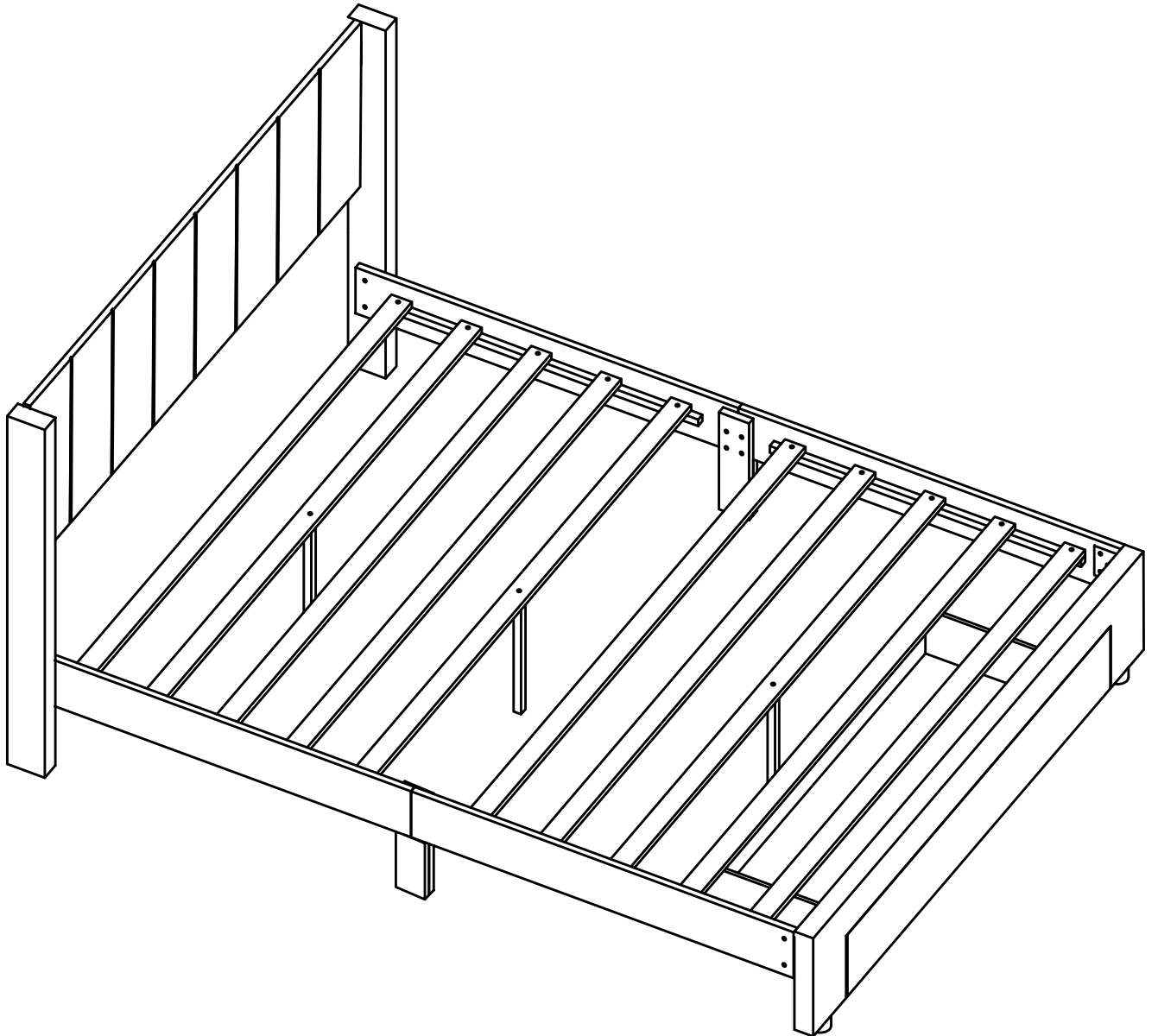
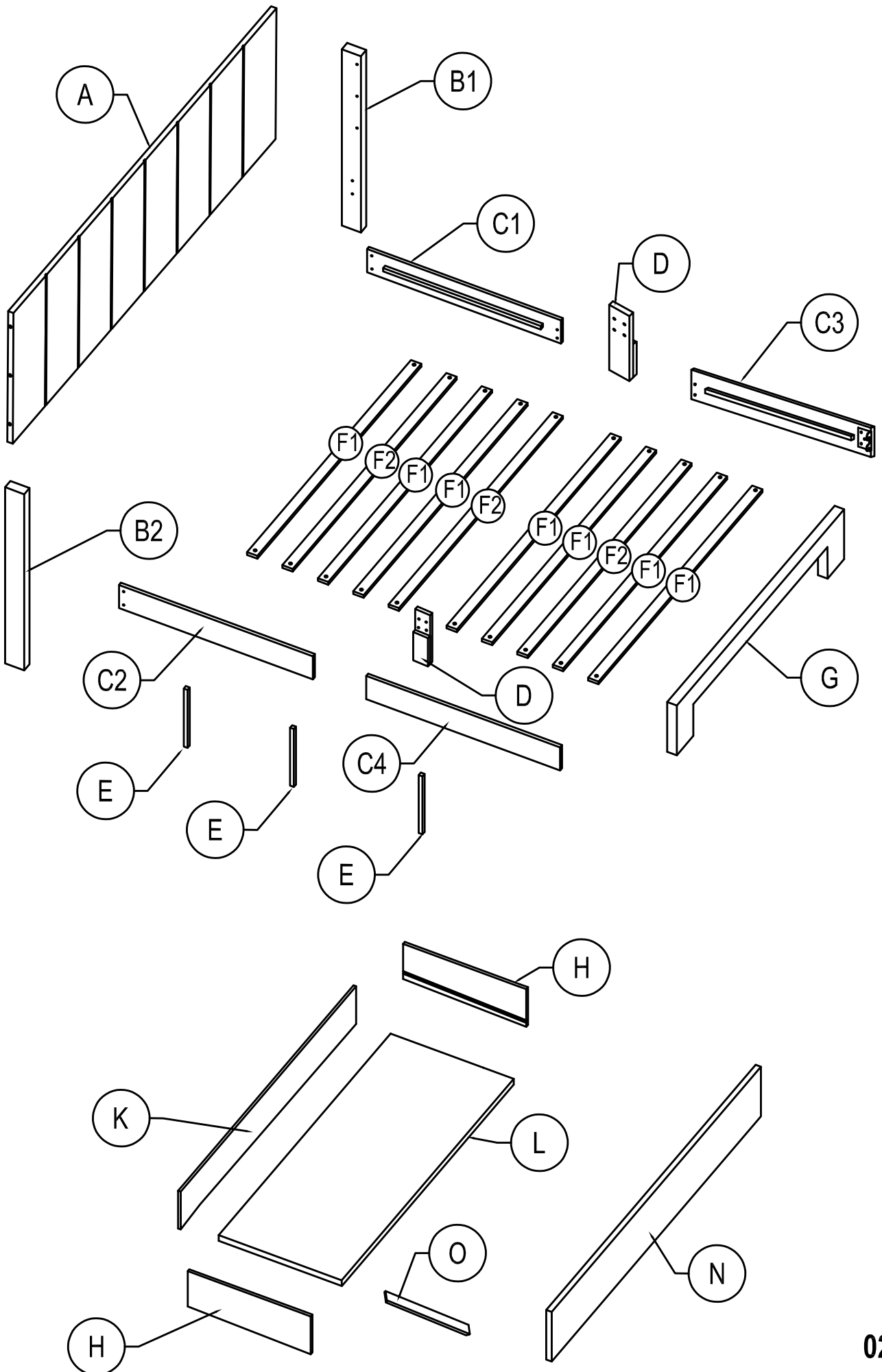


ASSEMBLY INSTRUCTION

SKU CODE: (WF324840)

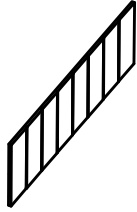


ASSEMBLY INSTRUCTION



Part List(WF324840)

A



HeadBoard-1pcs

B1



Legs-1pcs

B2



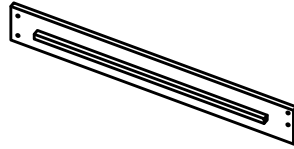
Legs-1pcs

C1



SideRails-1pcs

C2



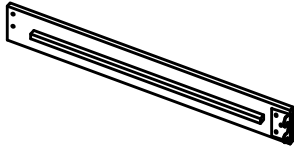
SideRails-1pcs

C3



SideRails-1pcs

C4



SideRails-1pcs

D



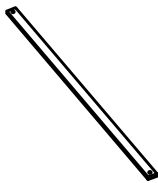
FootBoard-2pcs

E



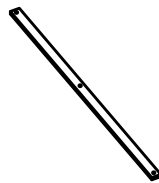
Legs Support-3pcs

F1



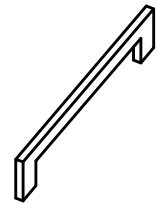
Slats-7pcs

F2



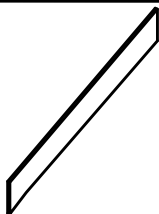
Slats-3pcs

G



FootBoard-1pcs

K



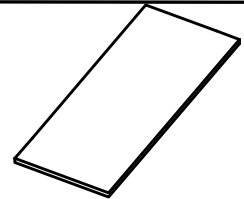
DrawerPanel-1pcs

H



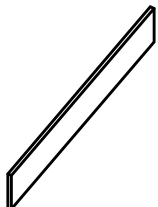
Drawer SidePanel-2pcs

L



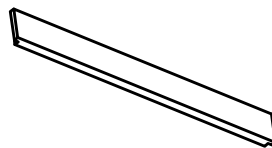
Drawer BottomPnel-1pcs

N



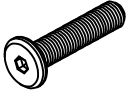
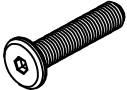
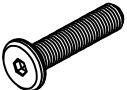


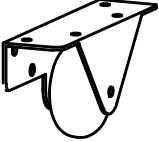

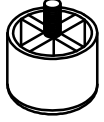
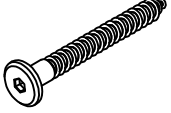

Drawer FrontPanel-1pcs

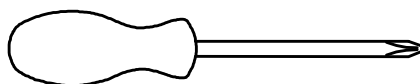
O



Drawer - Bar support -1pcs

Hardware List(WF324840)

<p>1</p>  <p>Ø1/4" x 15 mm Hex-HeadBolts 2pcs</p>	<p>2</p>  <p>Ø1/4" x 50 mm Hex-HeadBolts 6pcs</p>	<p>3</p>  <p>Ø1/4" x 30 mm Hex-HeadBolts 15pcs</p>
<p>4</p>  <p>M4 x 30 mm Wood Screws 28pcs</p>	<p>5</p>  <p>M4 X 15mm Wood Crews 8pcs</p>	<p>6</p>  <p>Wheels 4pcs</p>
<p>7</p>  <p>Plastic Feet - 2pcs</p>	<p>8</p>  <p>Plastic Feet - 2pcs</p>	<p>9</p>  <p>Ø1/4" x 50 mm Wood Crews 4pcs</p>
<p>10</p>  <p>Allen Key 1pcs</p>		



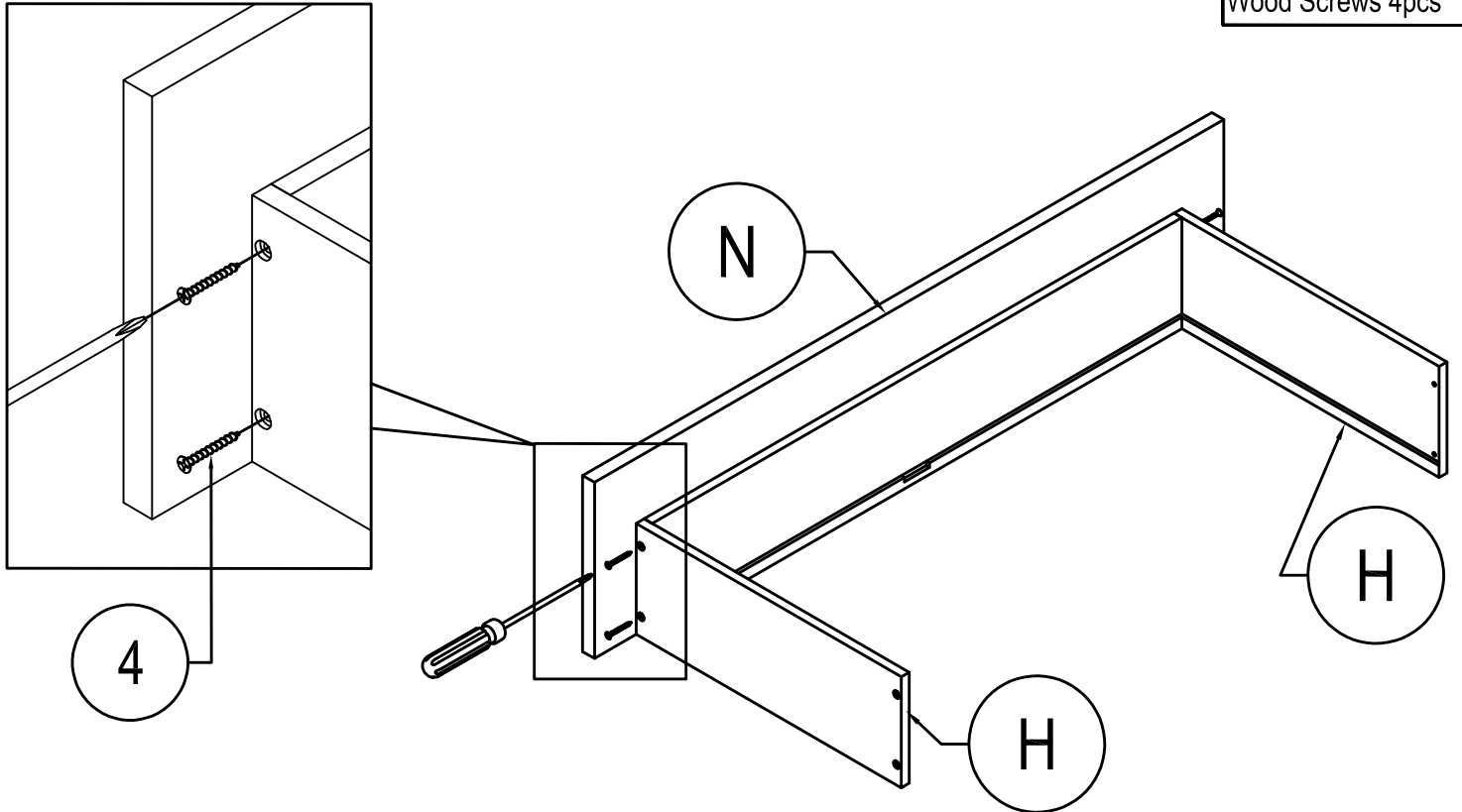
Assembly Tools Required (Not Included)

STEP 1: Following below illustration:

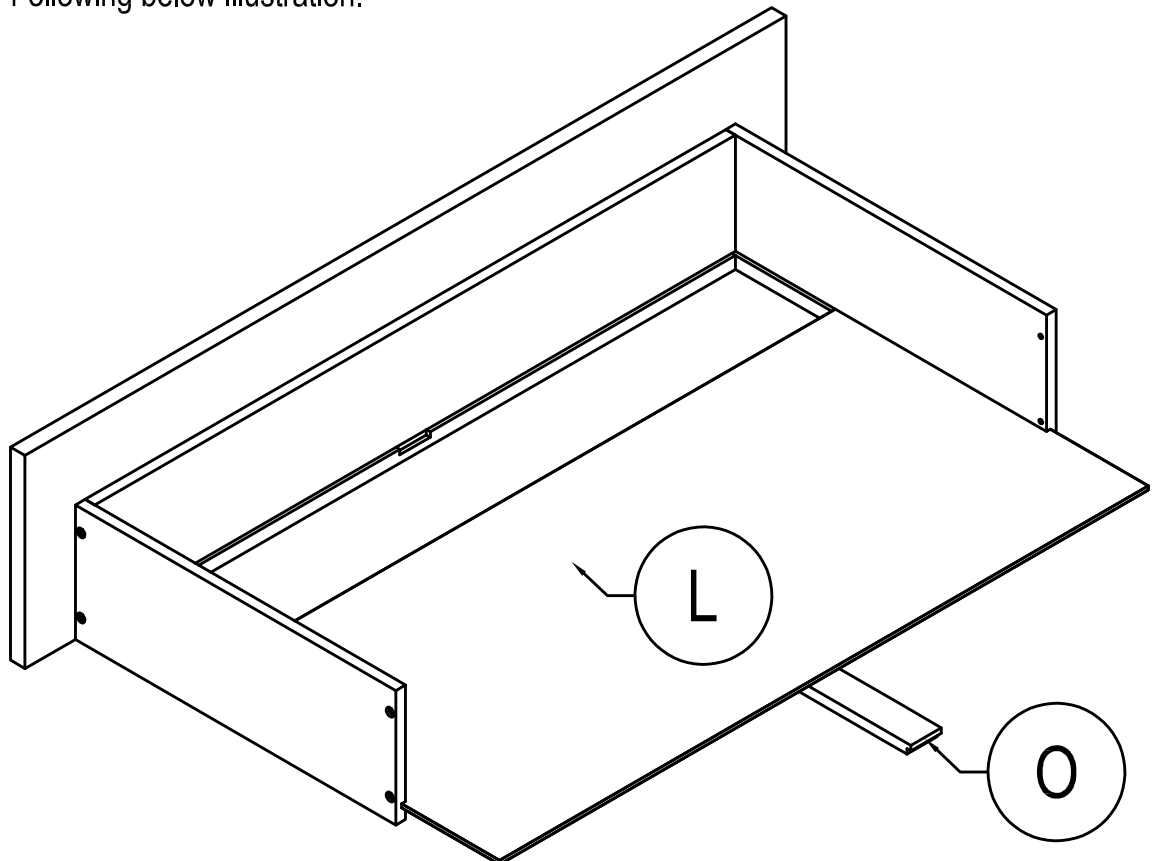
4



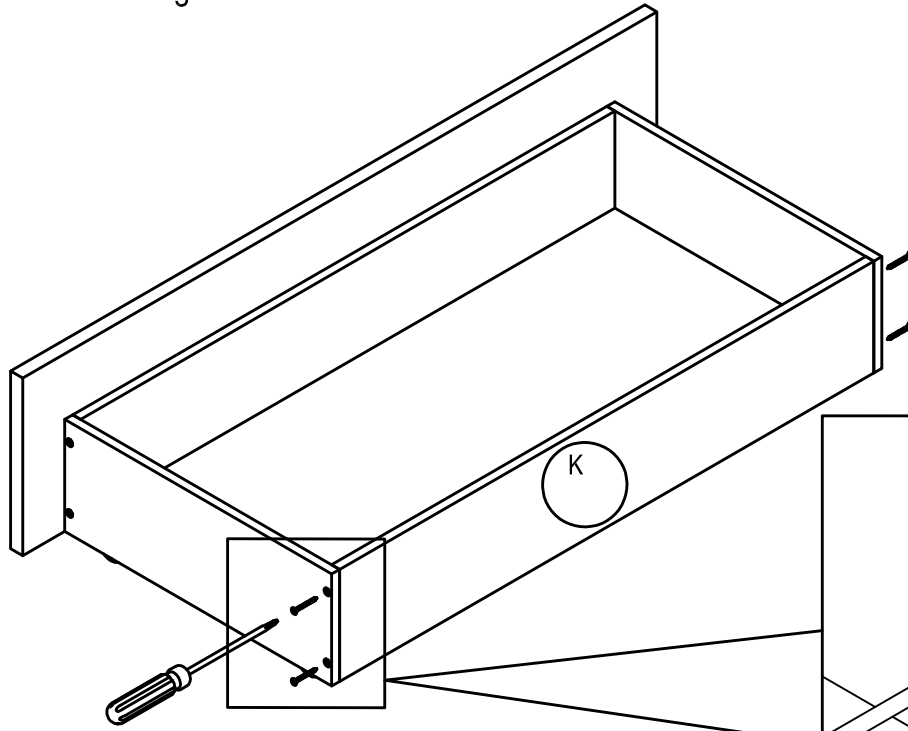
M4 x 30 mm
Wood Screws 4pcs



STEP 2: Following below illustration:



STEP 3: Following below illustration:

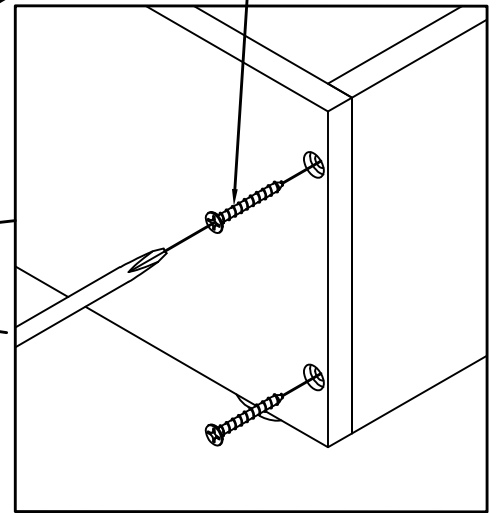


4

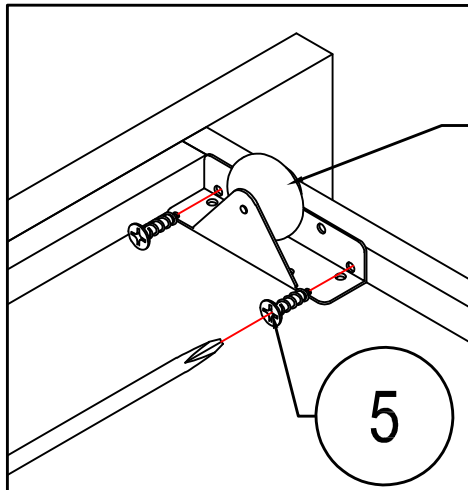


M4 x 30 mm
Wood Screws 4pcs

4



STEP 4: Following below illustration:

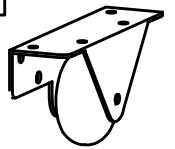


5



M4 X 15mm
Wood Crews 8pcs

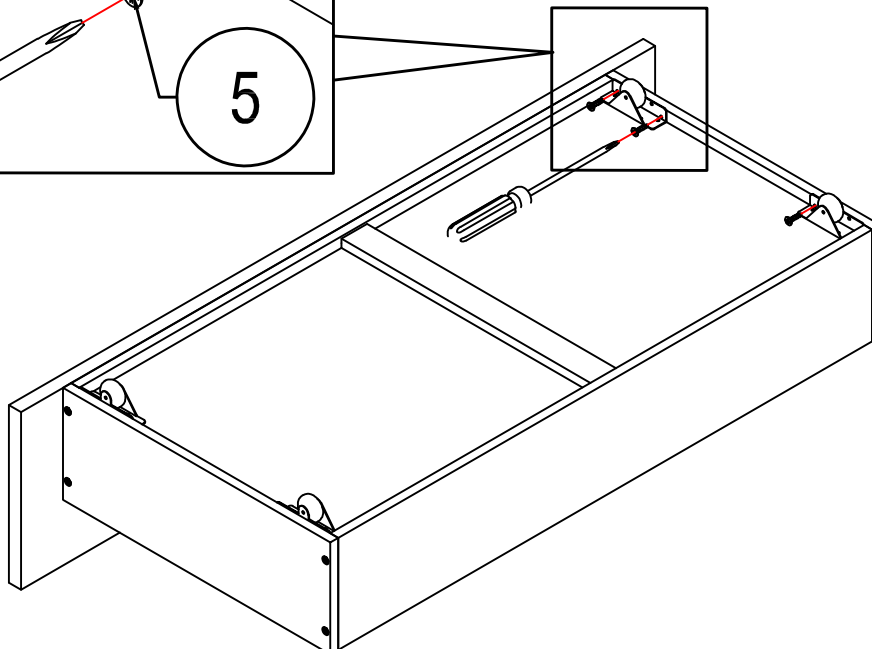
6





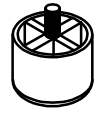
Wheels 4pcs

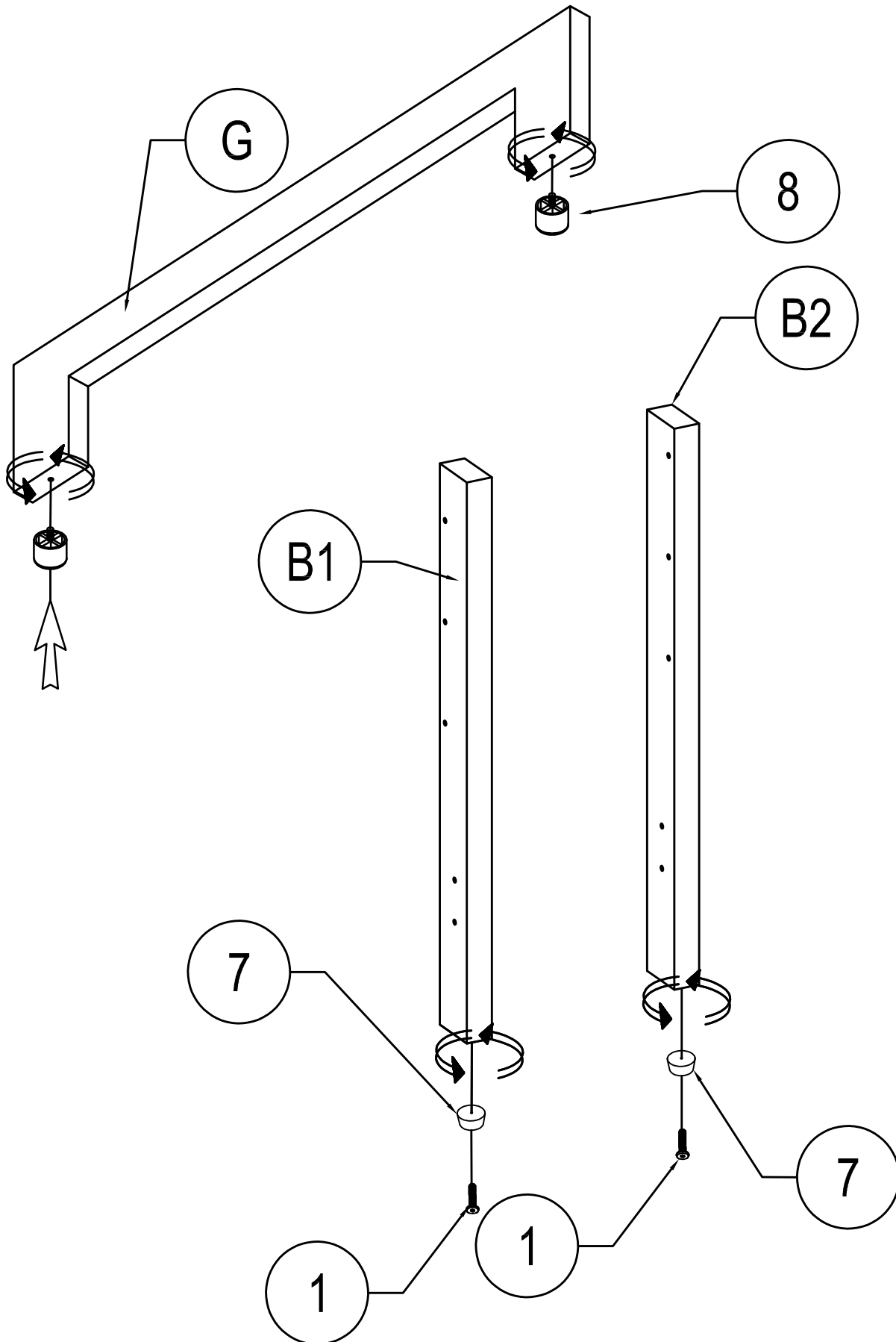
6

5



STEP 5: Following below illustration:

<p>1</p>  <p>Ø1/4" x 15 mm Hex-HeadBolts 2pcs</p>	<p>7</p>  <p>Wood Feet - 2pcs</p>	<p>8</p>  <p>Plastic Feet - 2pcs</p>
--	--	---

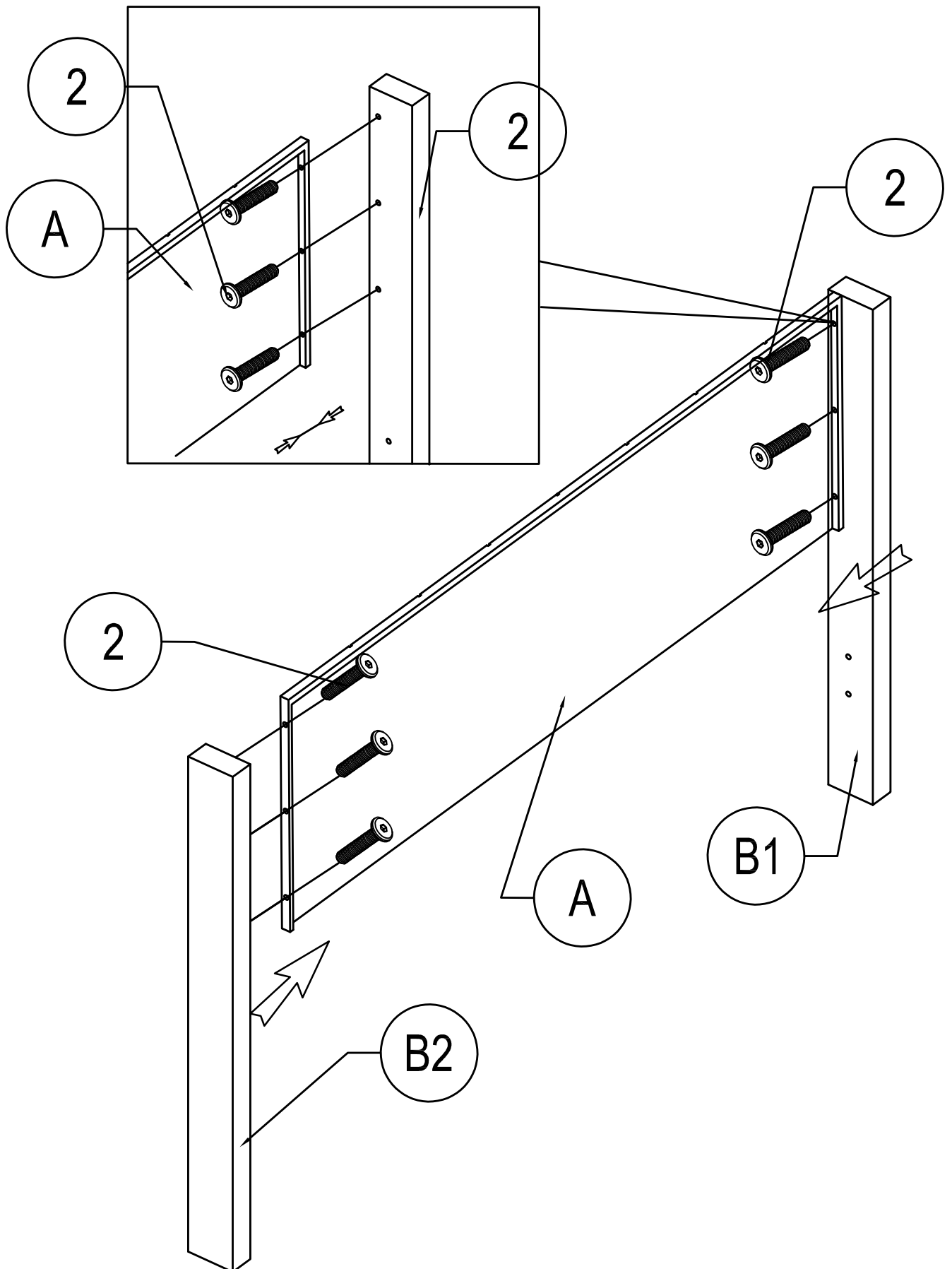


STEP 6: Following below illustration:

2

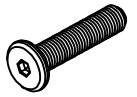


Ø1/4" x 50 mm
Hex-HeadBolts 6pcs

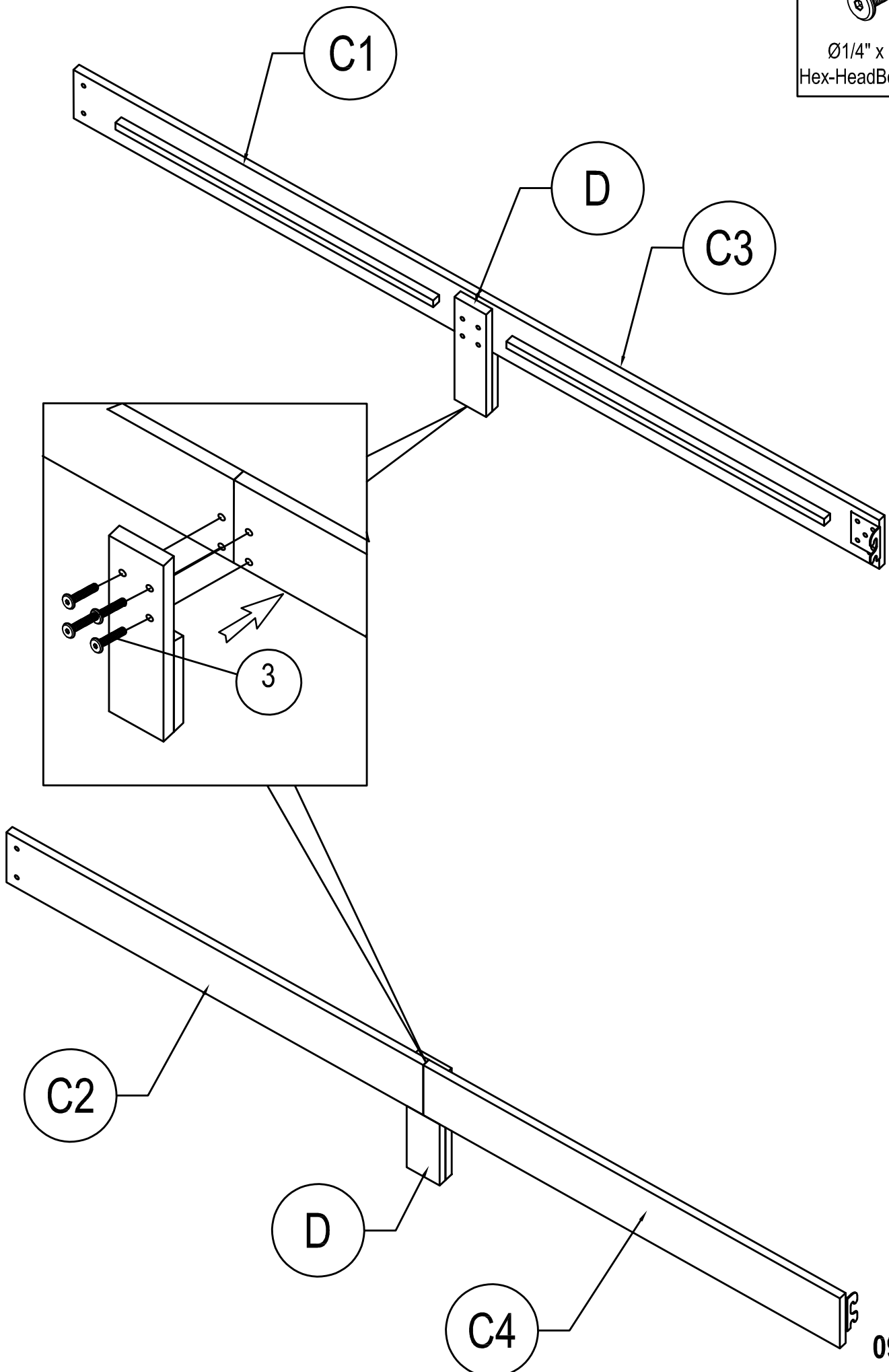


STEP 7: Following below illustration:

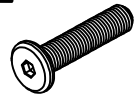

3

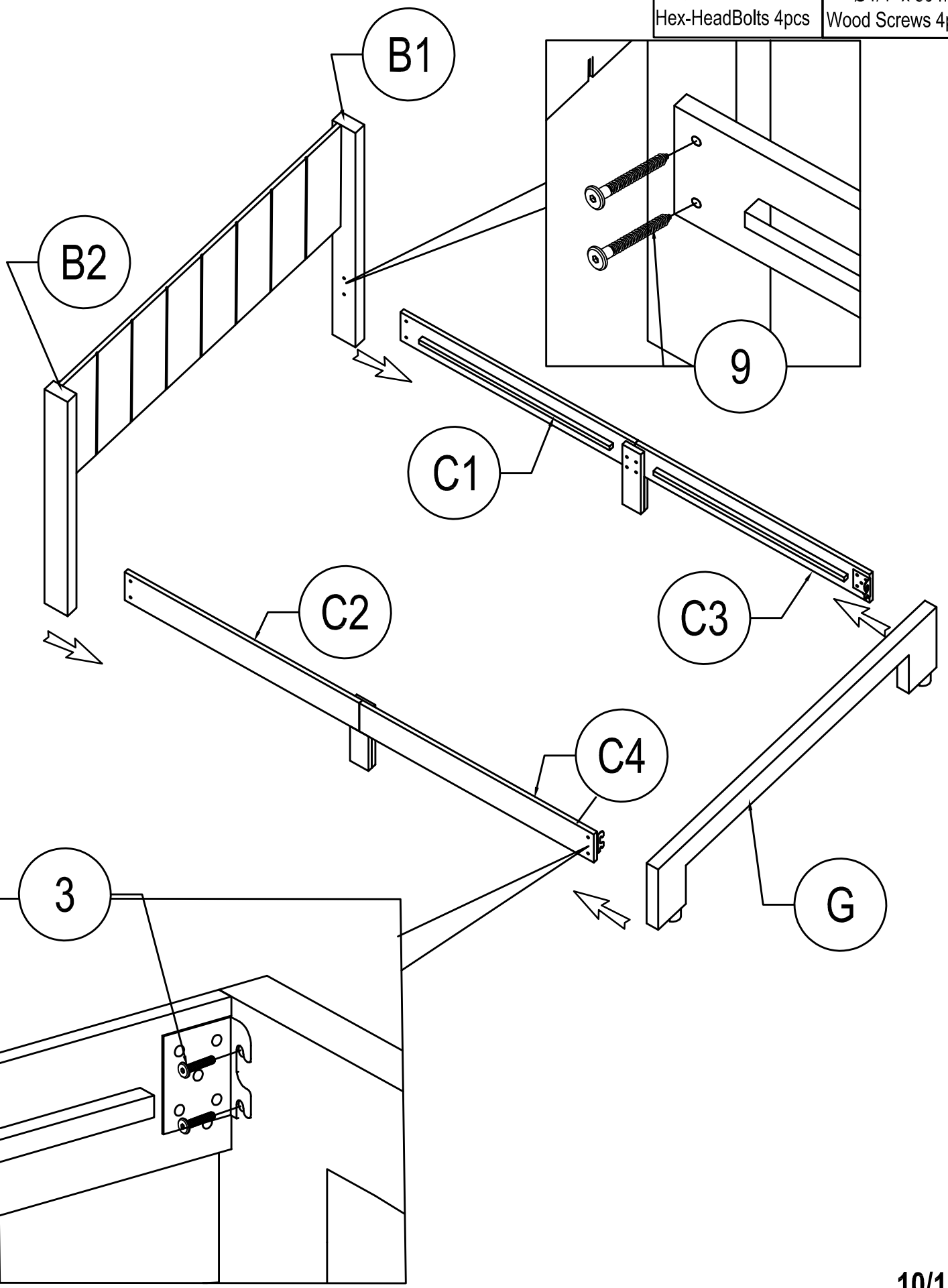


Ø1/4" x 30 mm
Hex-HeadBolts 8pcs

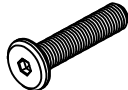
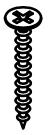


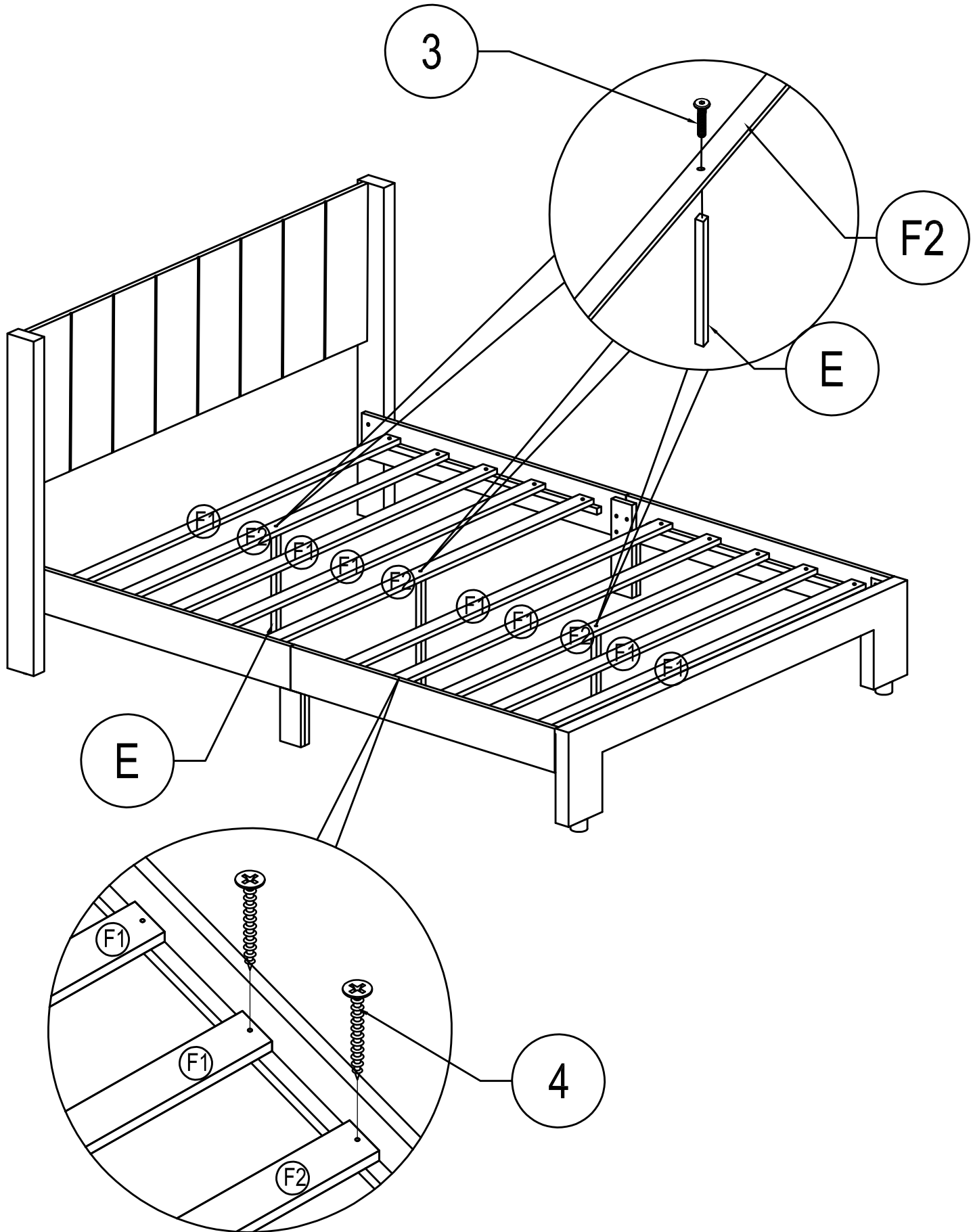
STEP 8: Following below illustration:

- | | |
|--|---|
| 3

Ø1/4" x 30 mm
Hex-HeadBolts 4pcs | 9

Ø1/4" x 50 mm
Wood Screws 4pcs |
|--|---|



STEP 9: Following below illustration:

3  Ø1/4" x 30 mm Hex-HeadBolts 3pcs	4  M4 x 30 mm Wood Screws 20pcs
--	---



FINISH

