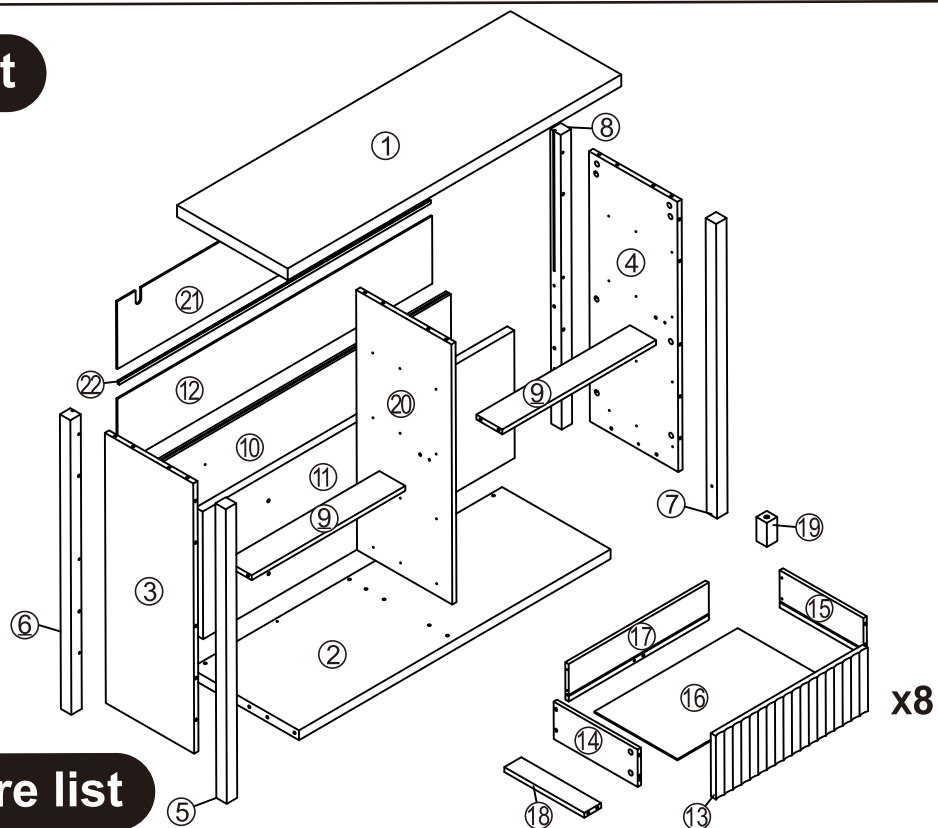









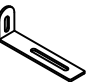






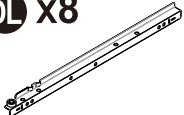
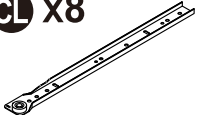
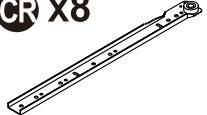
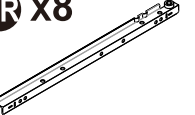


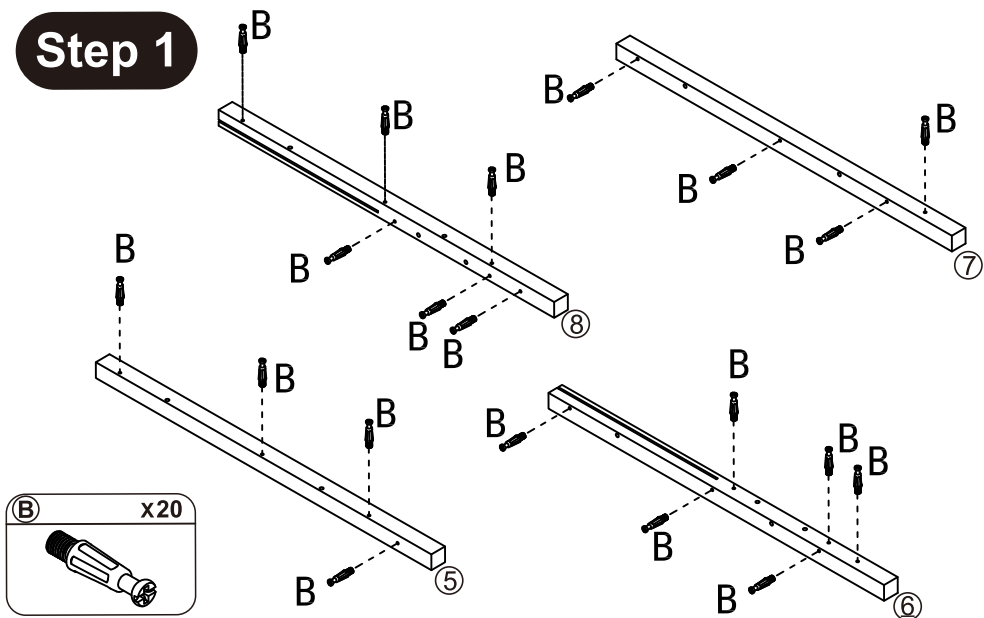
Parts list



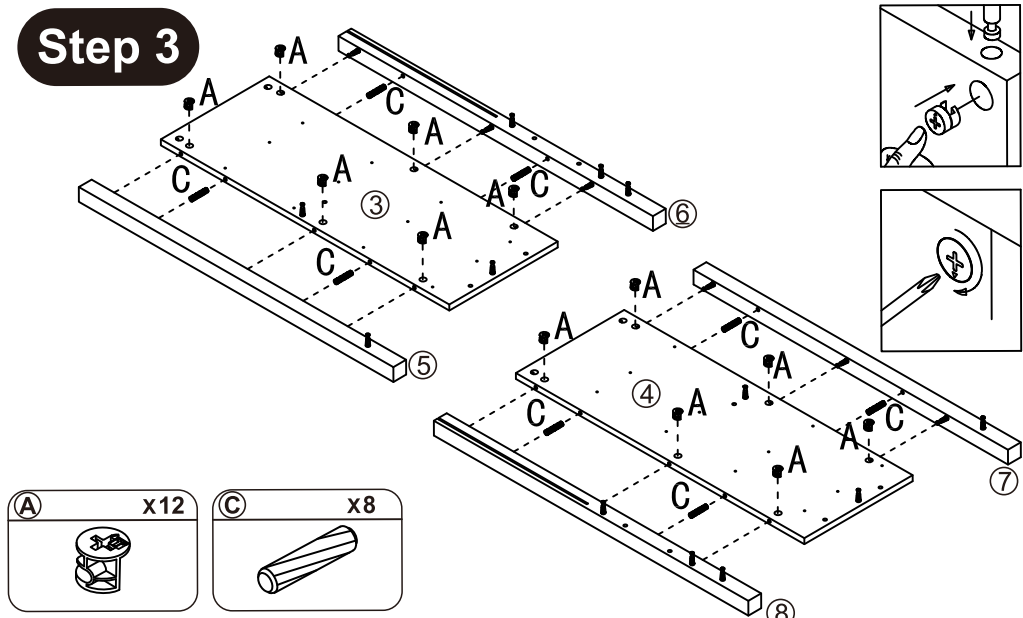
Hardware list

A x72 	B x72 	C x45 ϕ 8*30MM 	D x112 ϕ 3.5*12MM 	E x40 ϕ 4*30MM 
F x4 ϕ 4.2*50MM 	G x6 ϕ 4*35MM 	H x2 ϕ 4*15MM 	I x2 	J x2 
K x54 	L x8 	M x1 	N x6 ϕ 3*16MM 	O x6 
P x1 ϕ 8*50MM 	DL x8 	CL x8 	CR x8 	DR x8 

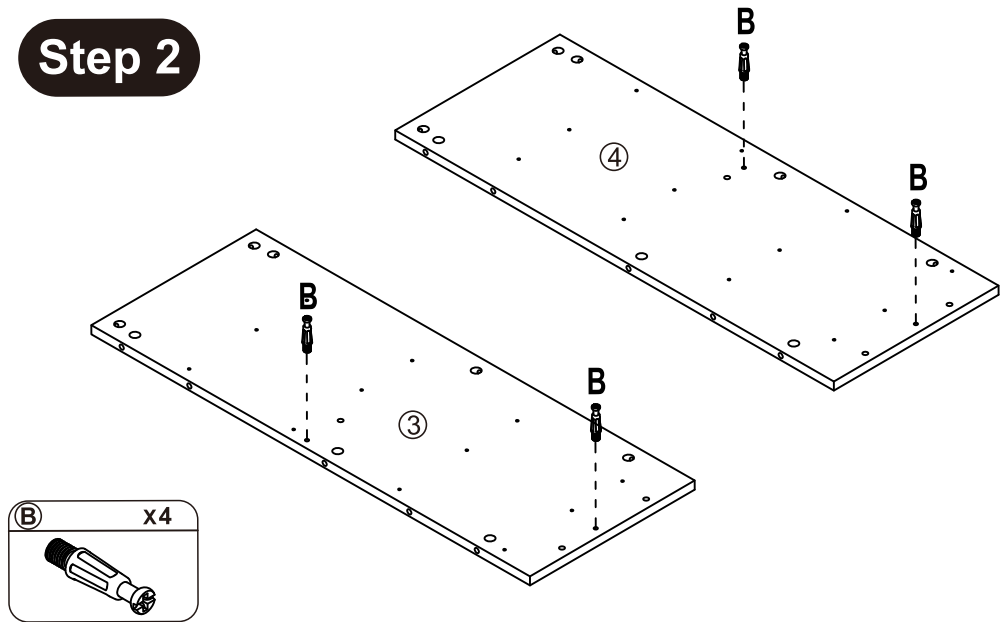
Step 1



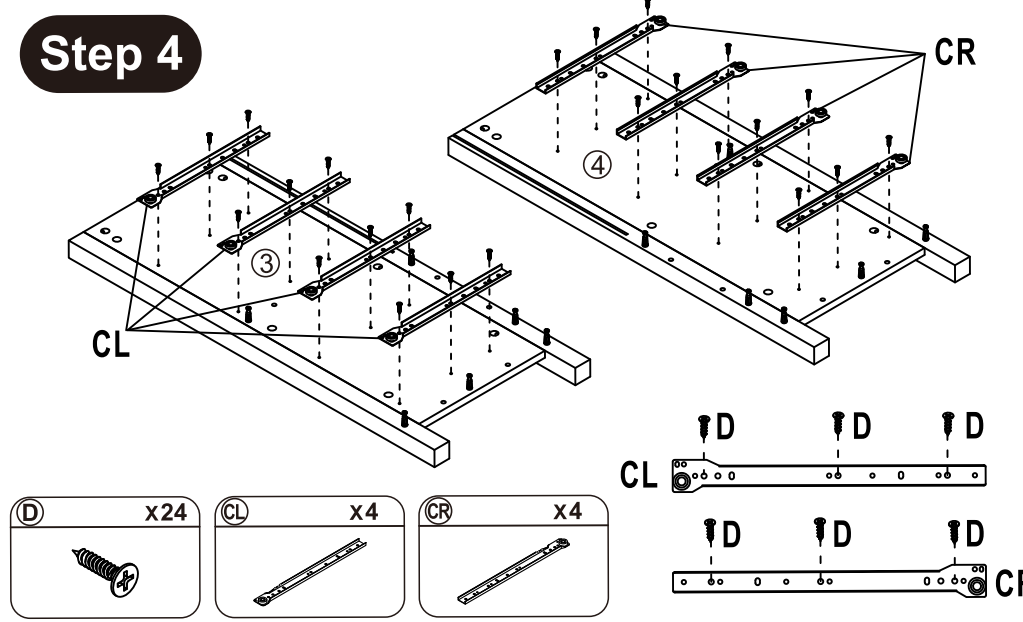
Step 3



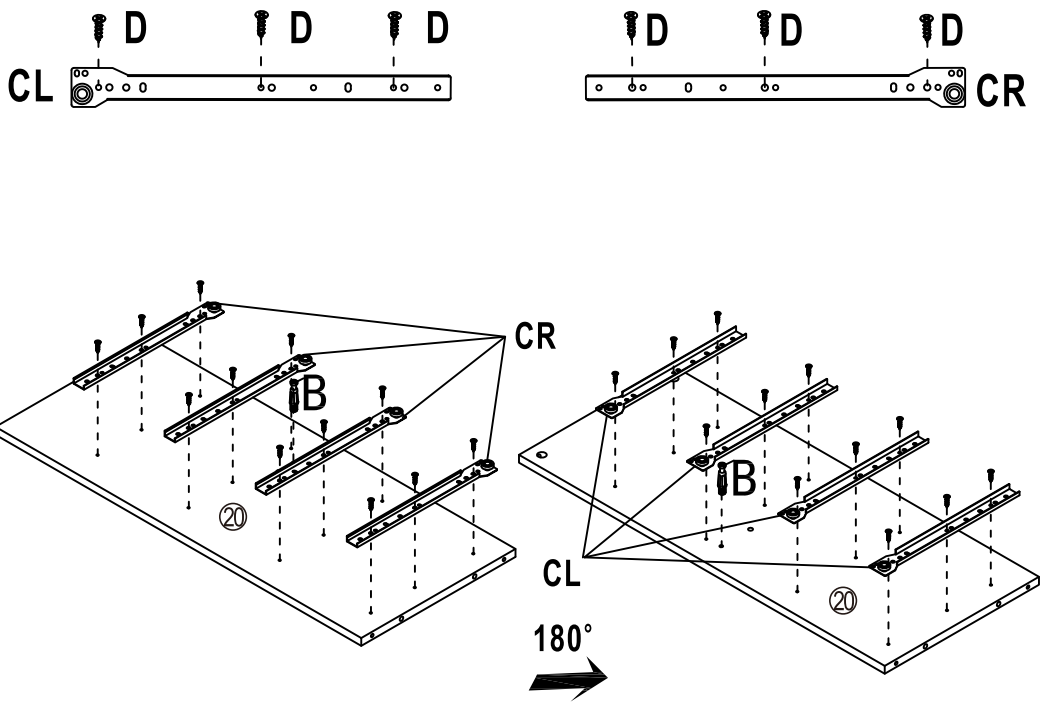
Step 2



Step 4

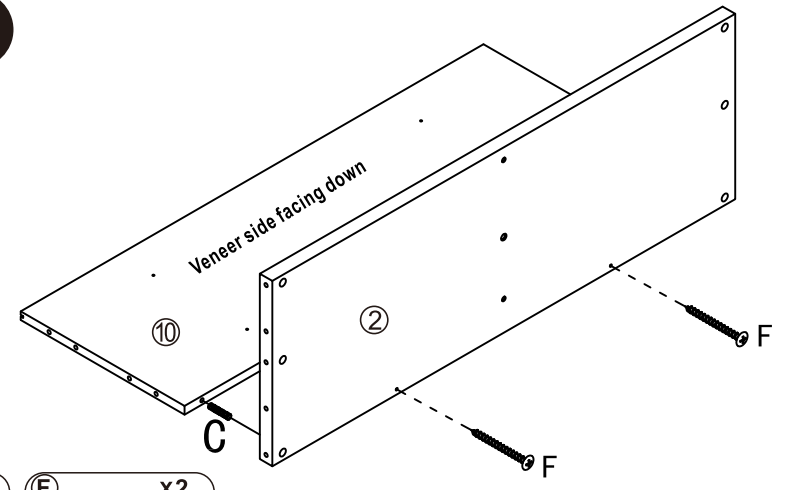


Step 5



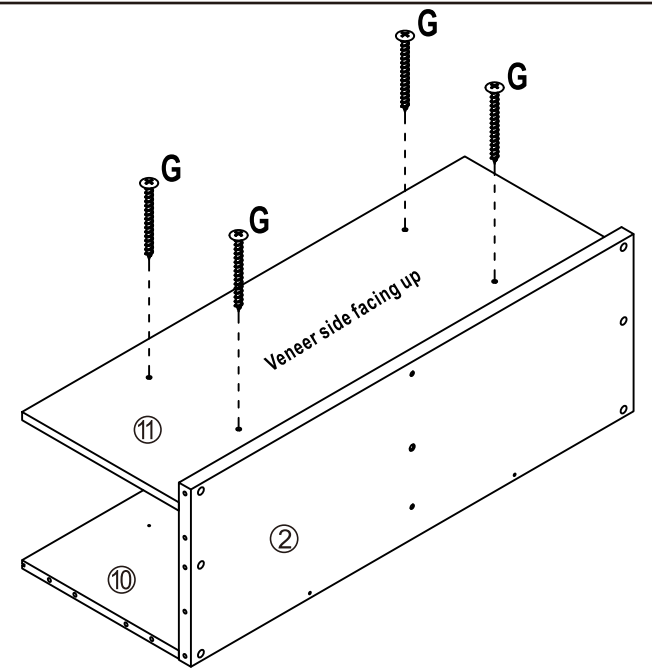
- B
x2
- D
x24
- CL
x4
- CR
x4

Step 6



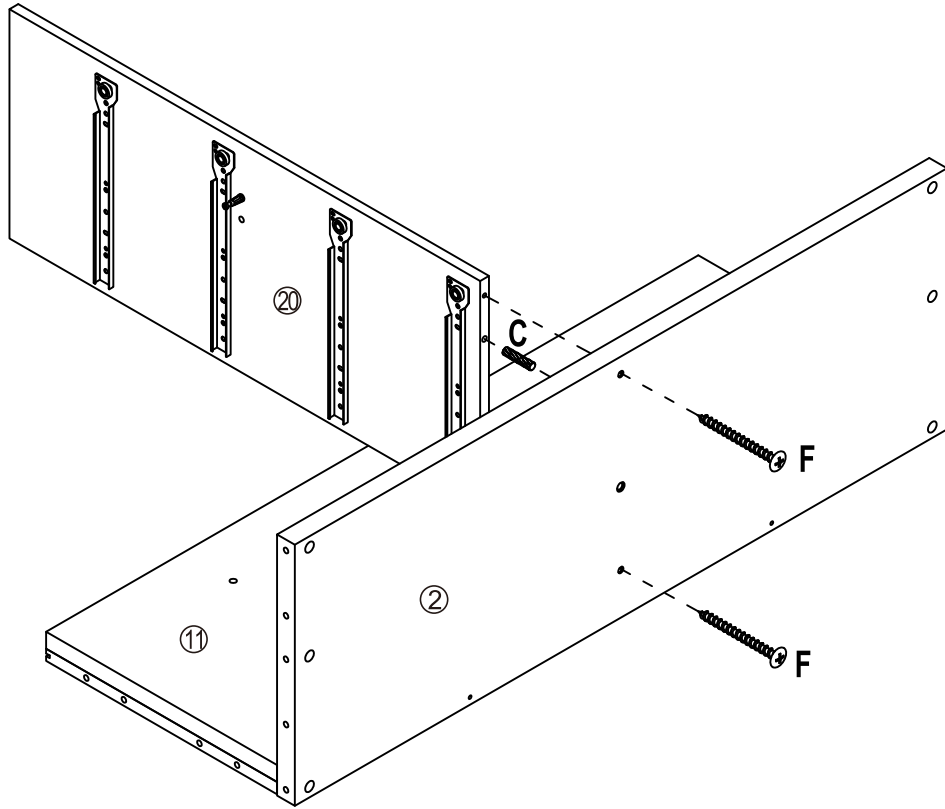
- C
x3
- F
x2

Step 7



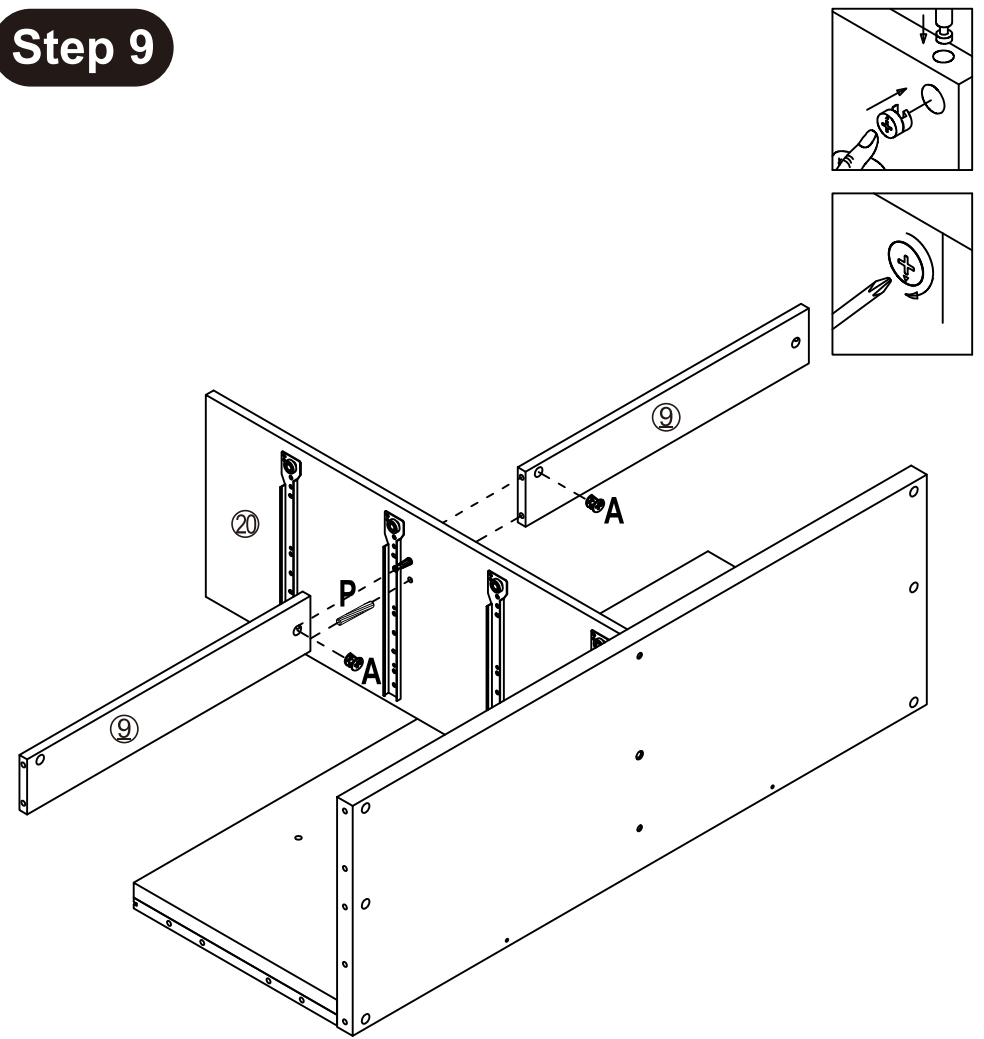
- G
x4

Step 8



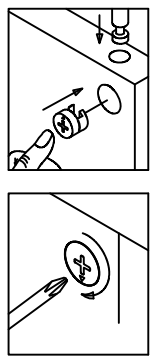
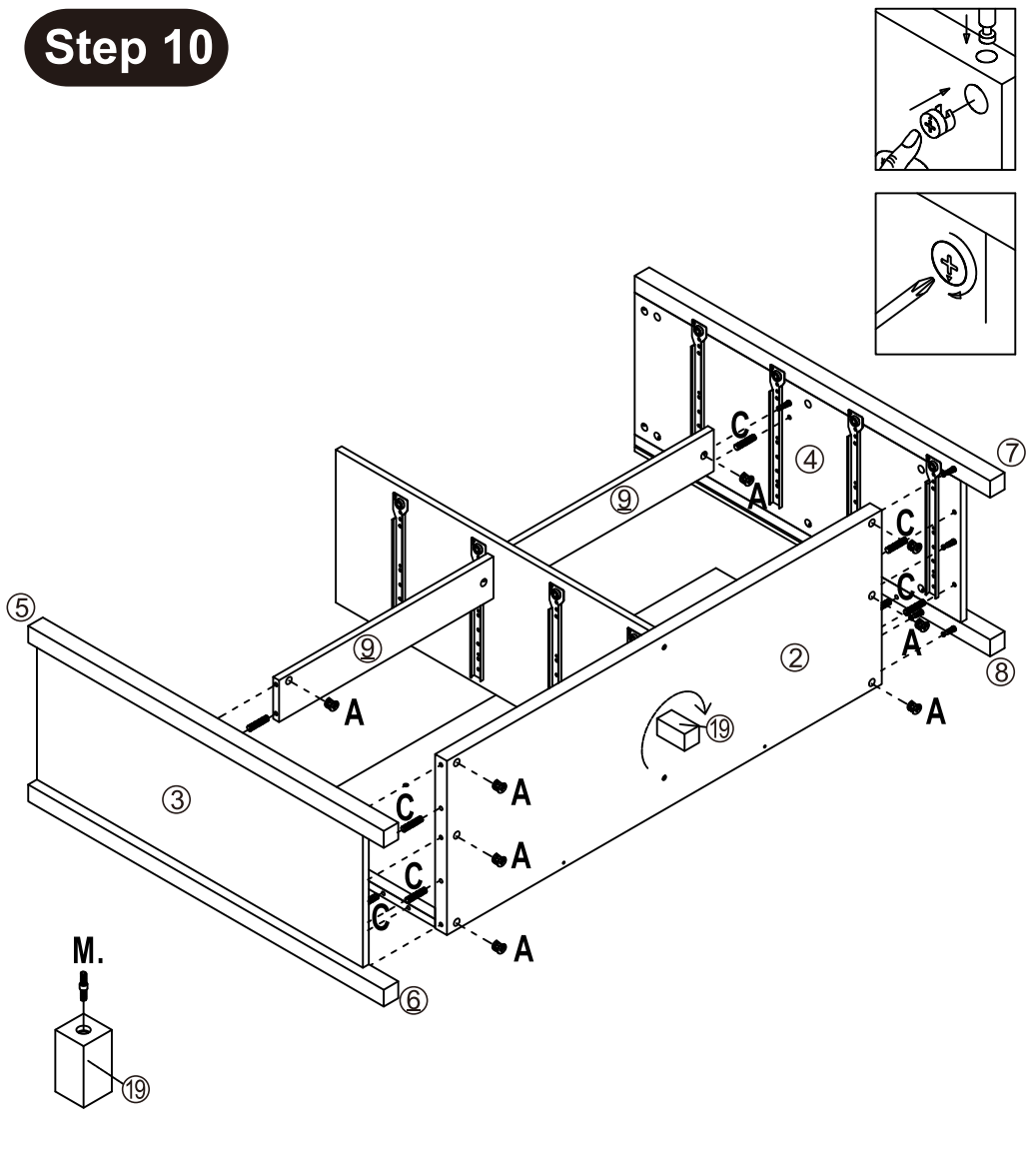
- (C) x2
- (F) x2

Step 9



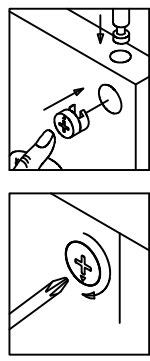
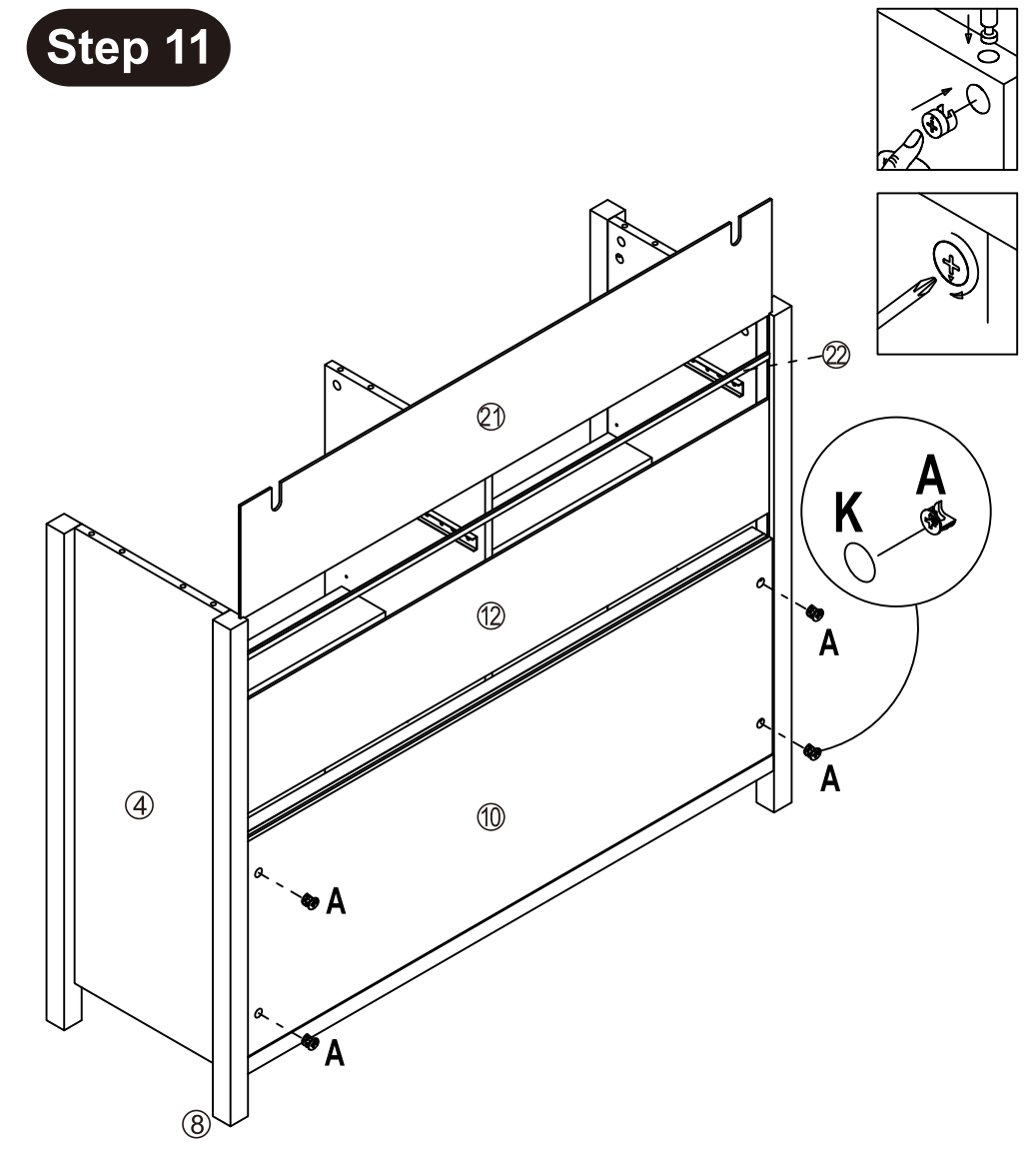
- (A) x2
- (P) x1

Step 10



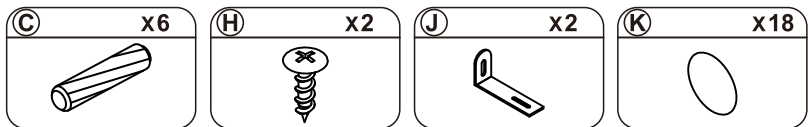
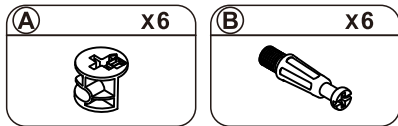
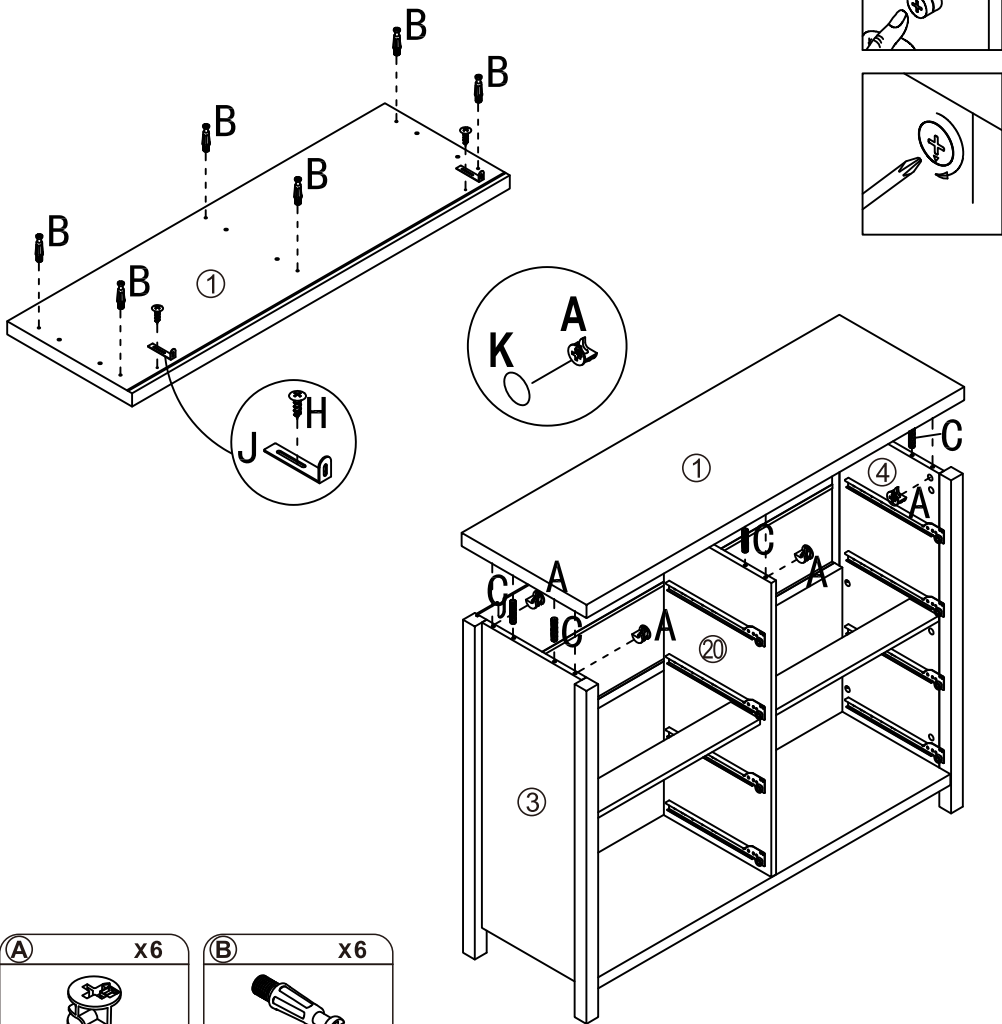
- A x8
- C x10
- M x1

Step 11

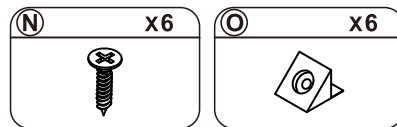
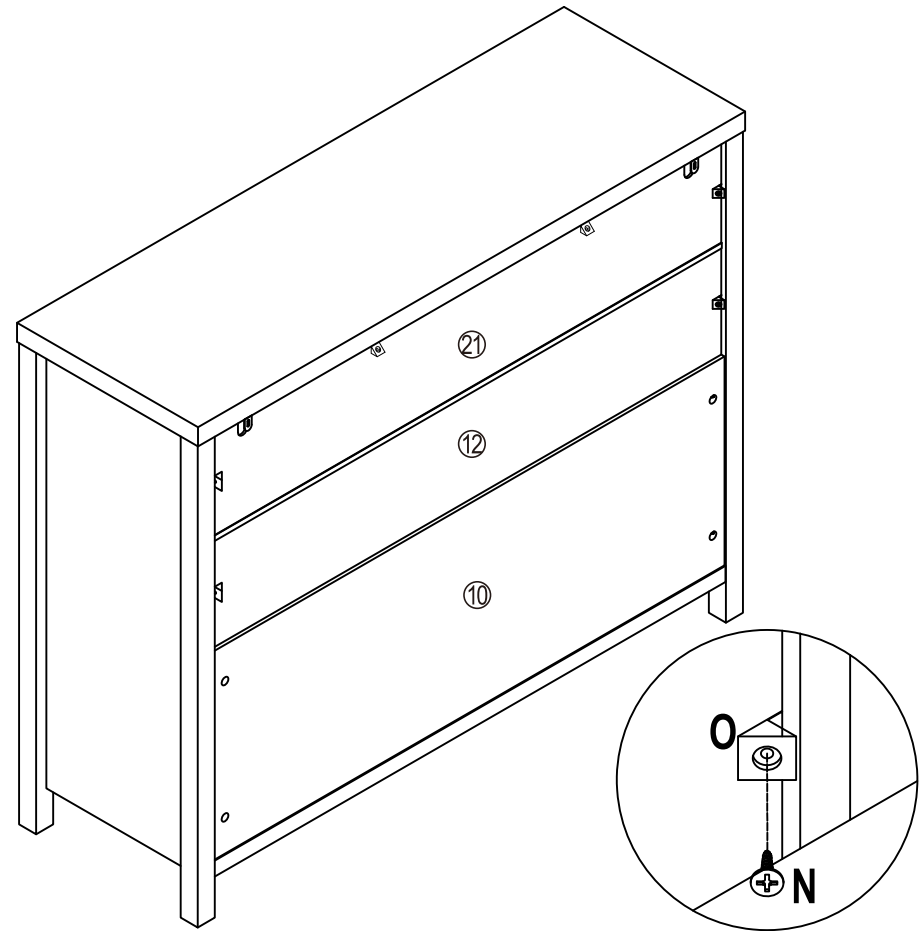


- A x4
- K x4

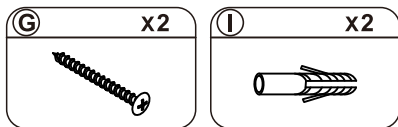
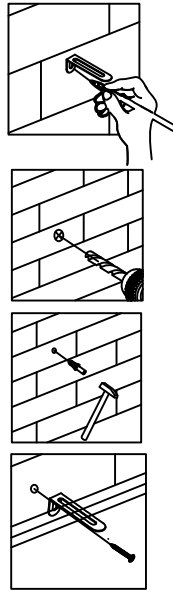
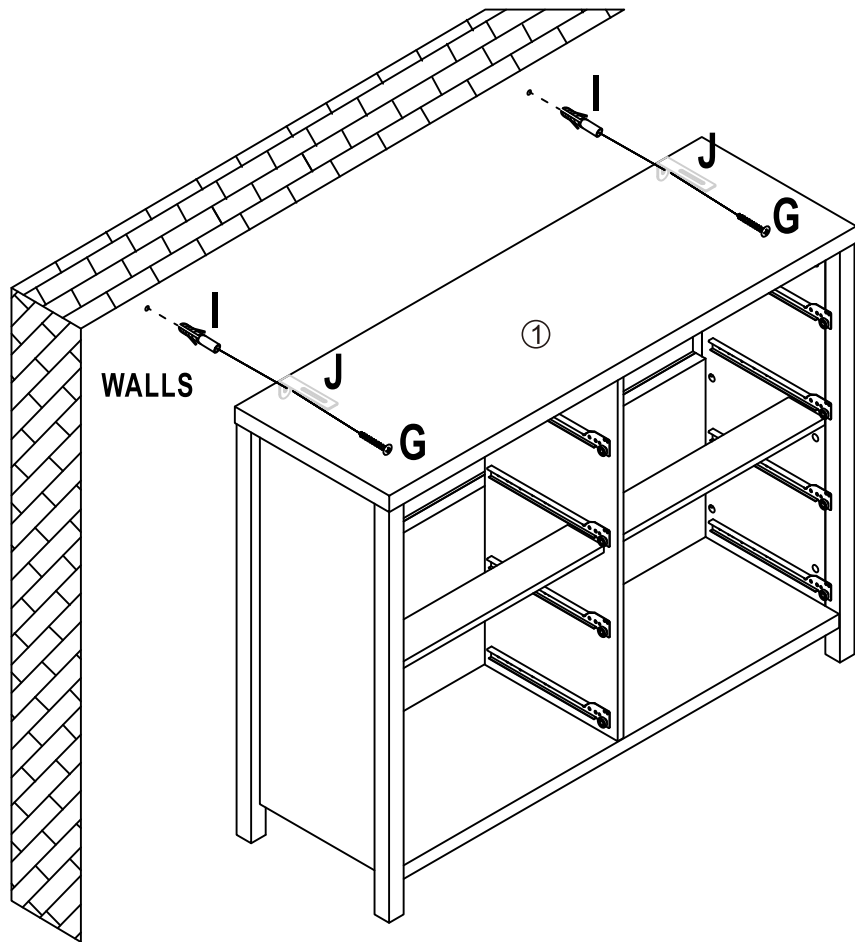
Step 12



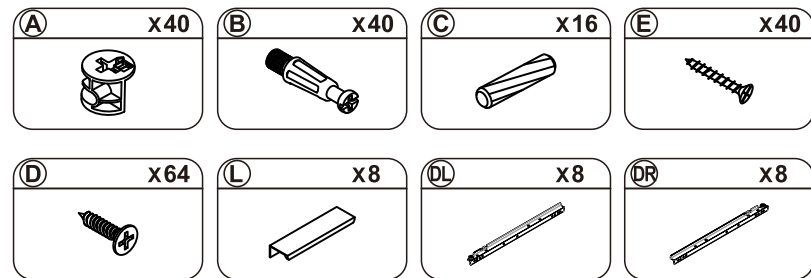
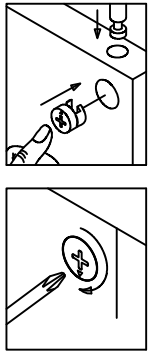
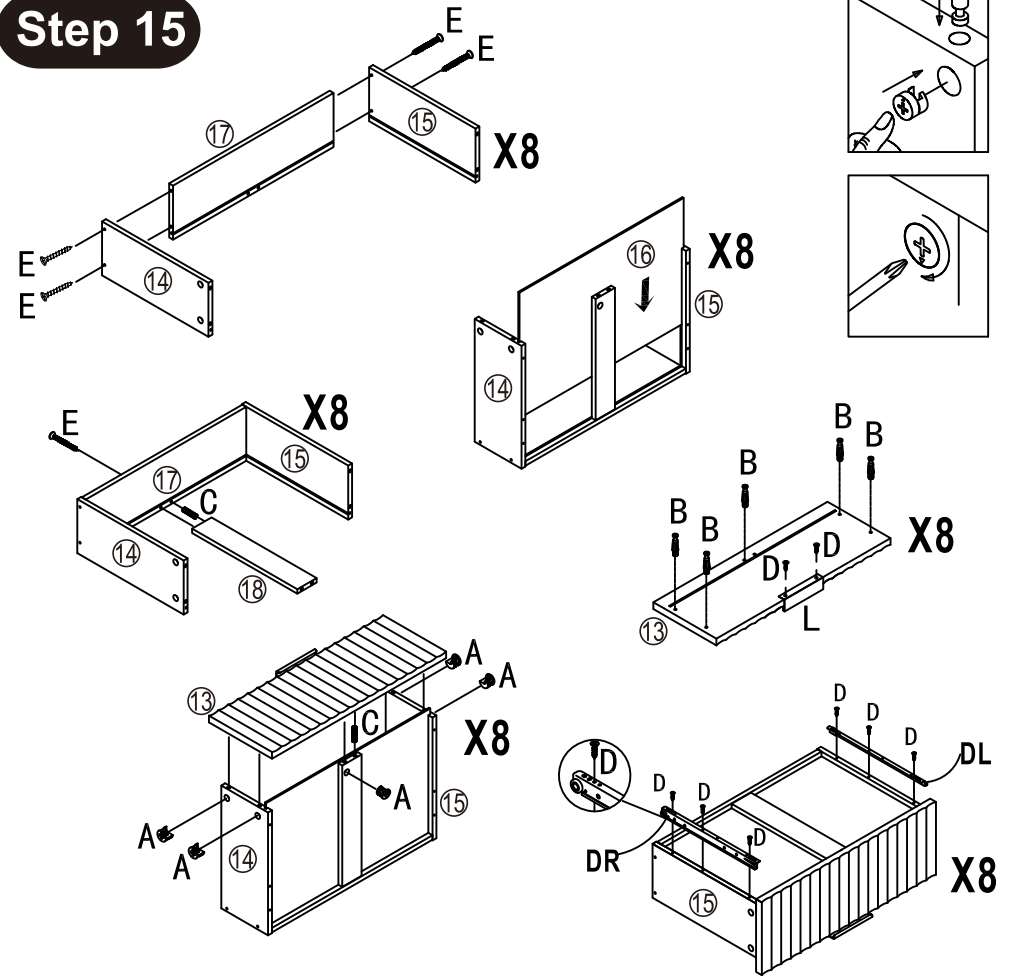
Step 13



Step 14

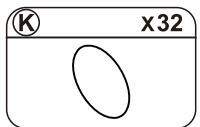
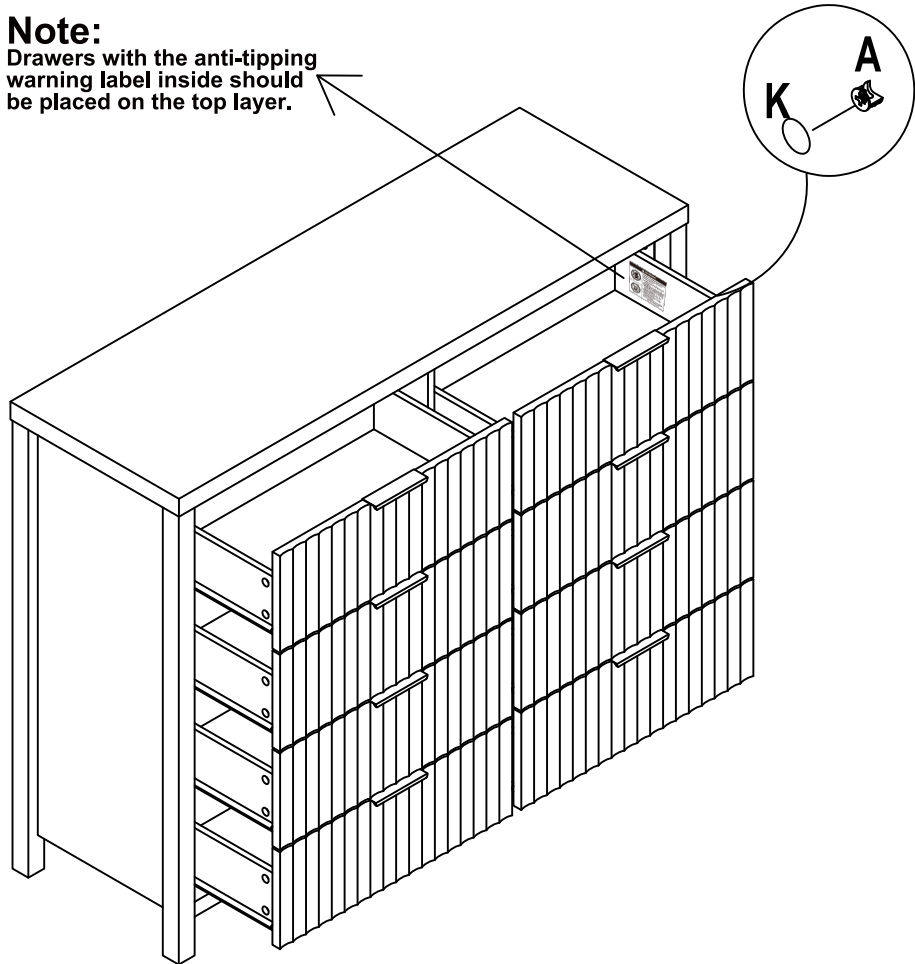


Step 15

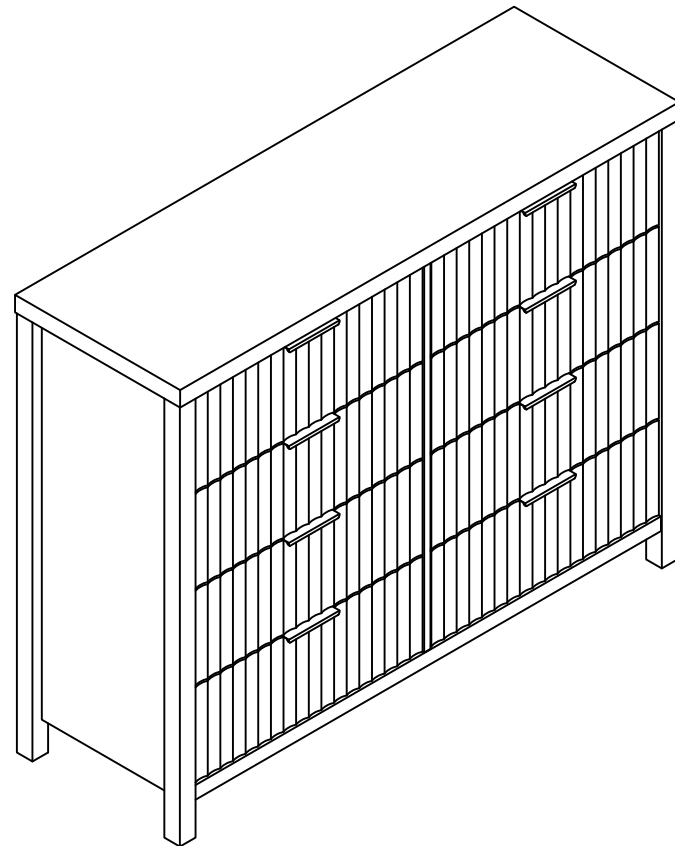


Step 16

Note:
Drawers with the anti-tipping
warning label inside should
be placed on the top layer.



Step 17



WARNING



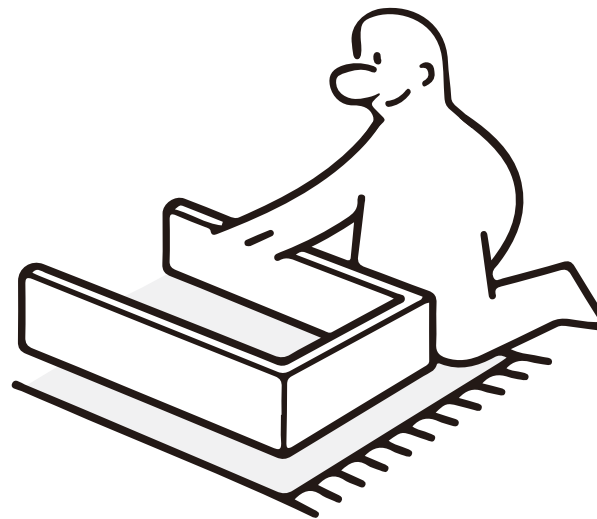
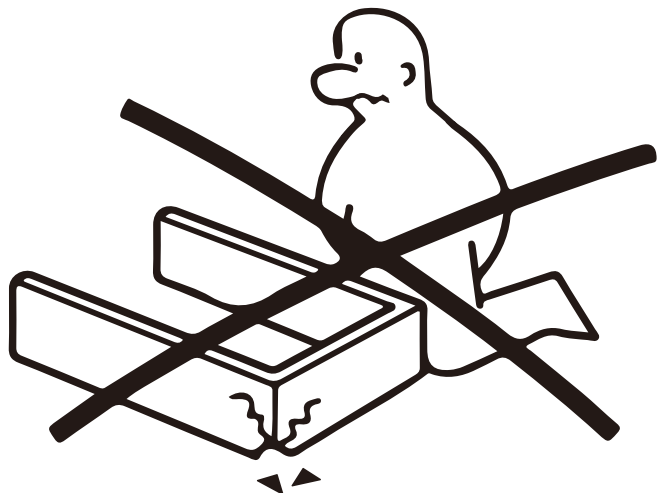
**Children have died from furniture tipover.
To reduce the risk of furniture tipover:**

- **ALWAYS** install Anti-tip device provided.
- **NEVER** put a TV on this product.
- **NEVER** allow children to stand, climb or hang on any drawers, doors, or shelves.
- **NEVER** open more than one drawer at a time.
- Place heaviest items in the lowest drawers.



***This is a permanent label.
Do not remove!***

※ **Stay Scratch-Free: Safeguard Your Furniture by Assembling on Carpet.**



※ **Stuck in Assembly Limbo? Check out our website or contact our support team for quick solutions!**

