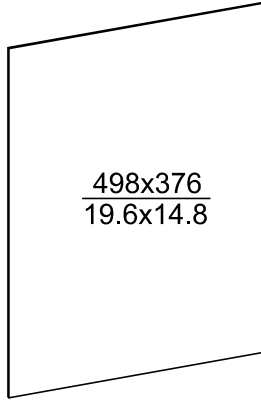


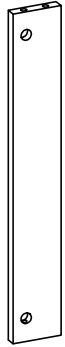
Ax1



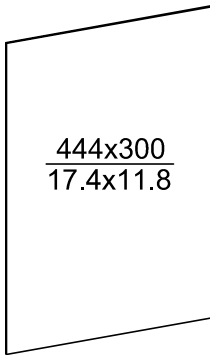
Bx2



Cx1



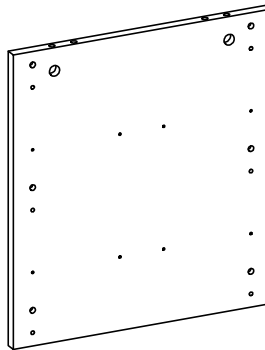
Dx4



Ex2



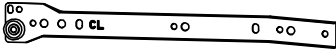
Fx2



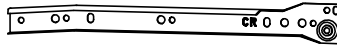
Gx2



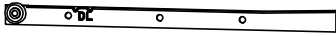
Hx4



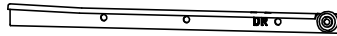
CLx2



CRx2



DLx2



DRx2



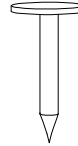
Ix28



Jx12



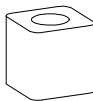
Kx28



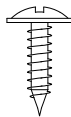
Lx42



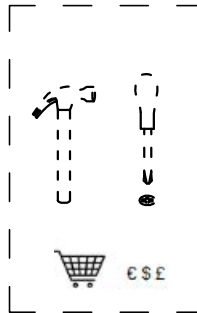
Mx24



Nx4

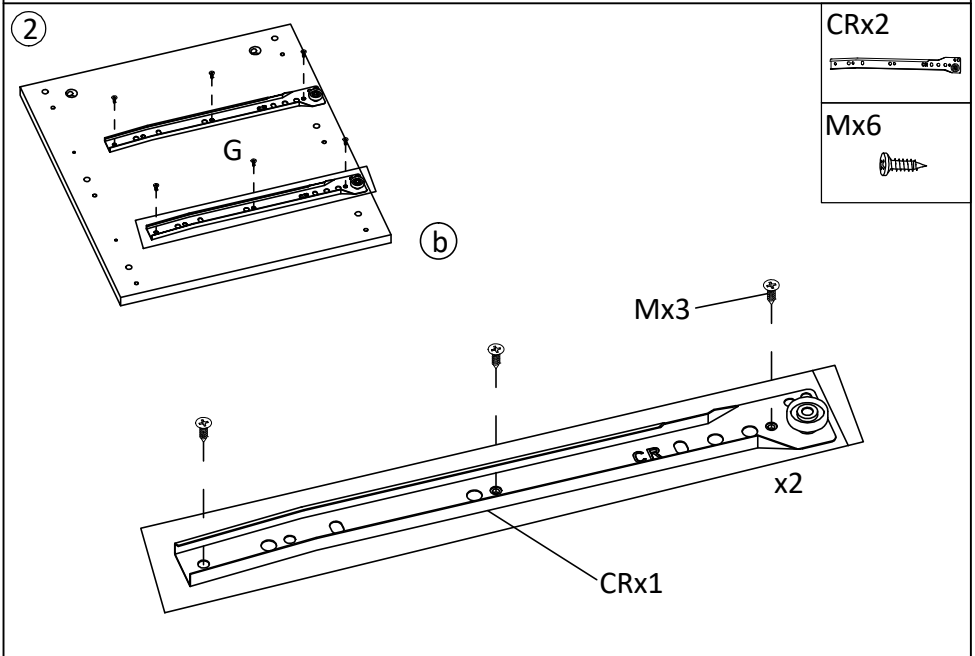
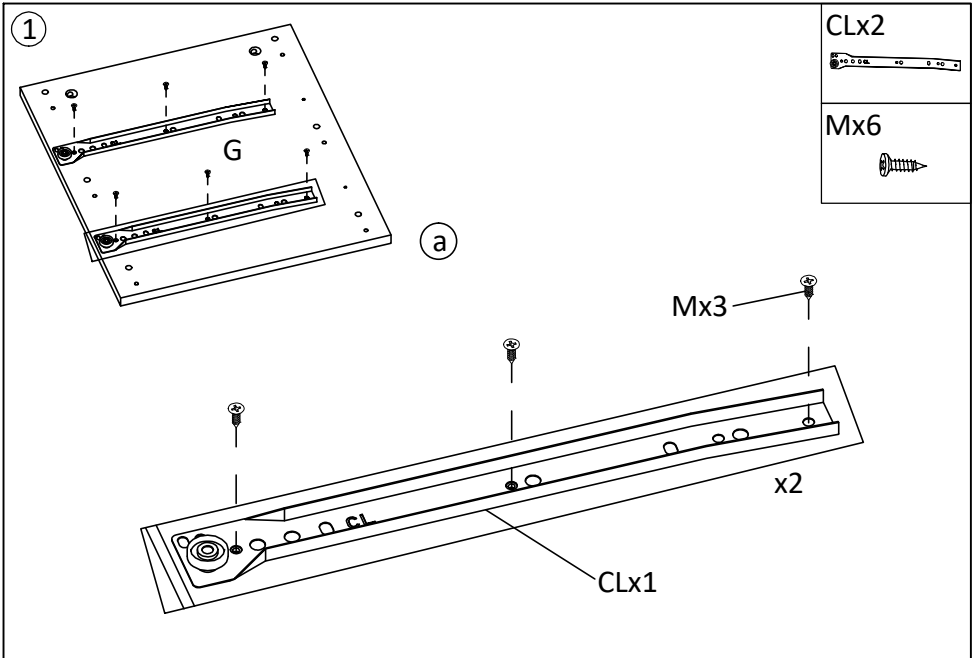


Ox4

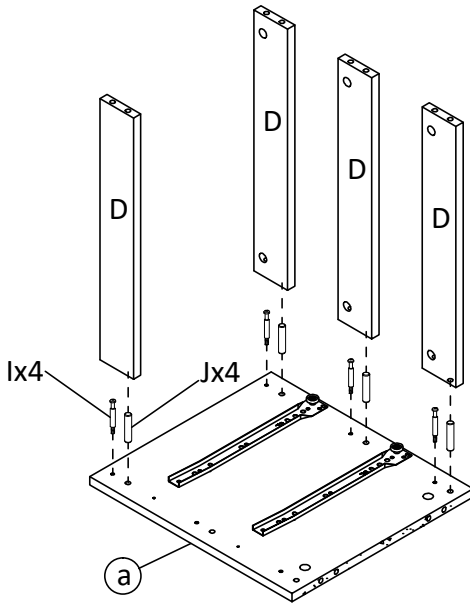


mm
inch

x2



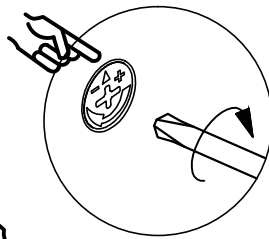
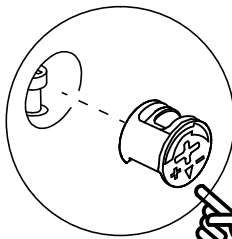
3



Ix4

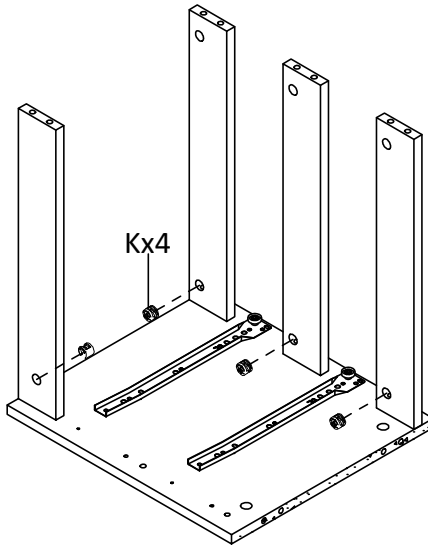


Jx4



4

Kx4

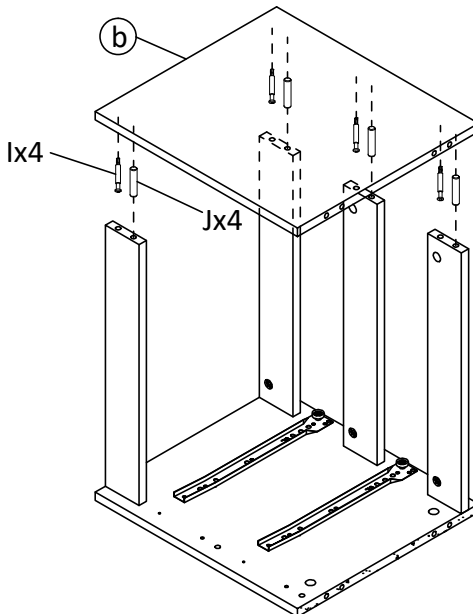


5

Ix4



Jx4

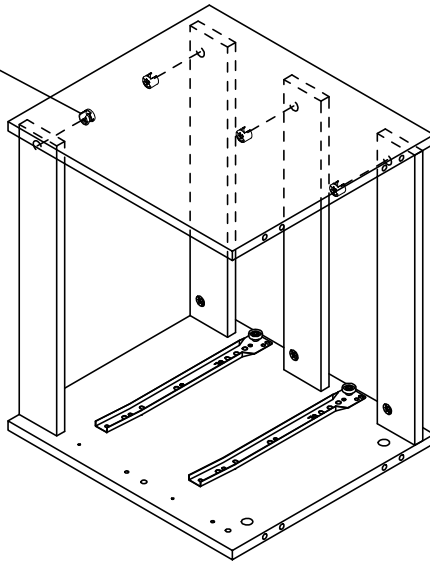


6

Kx4

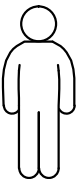
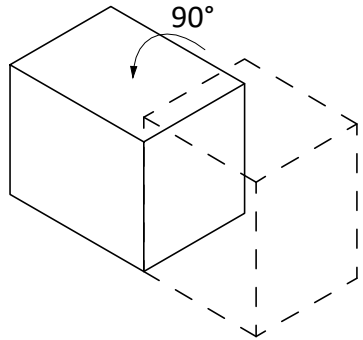
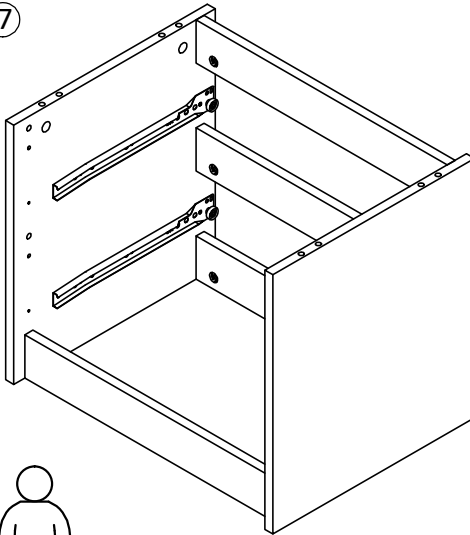


Kx4

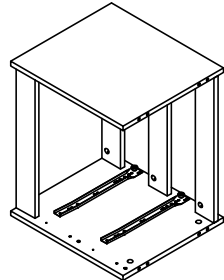


7

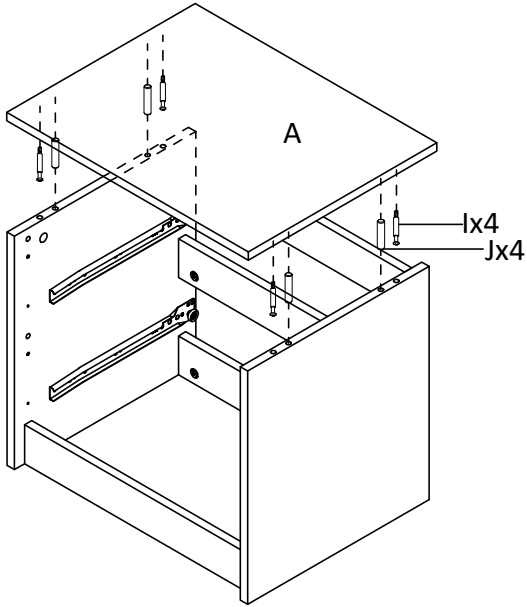
90°



x2



8



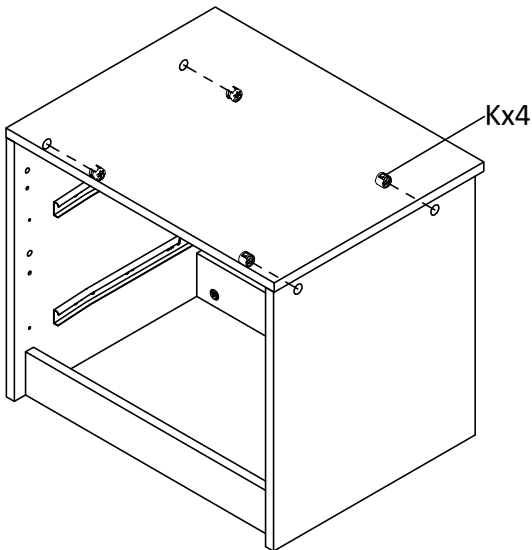
I x 4



J x 4



9

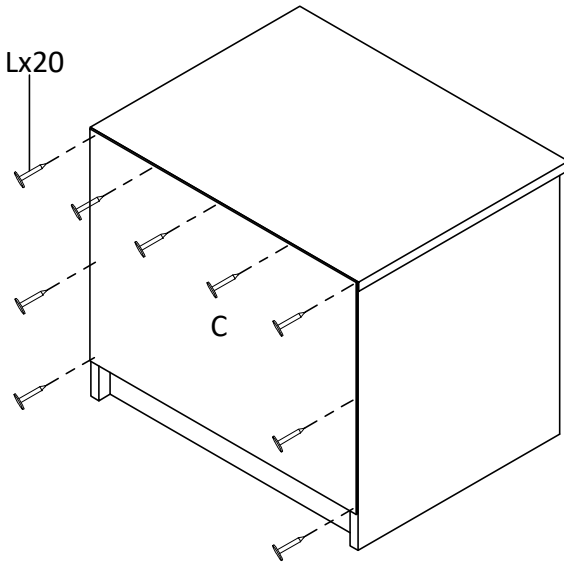


K x 4



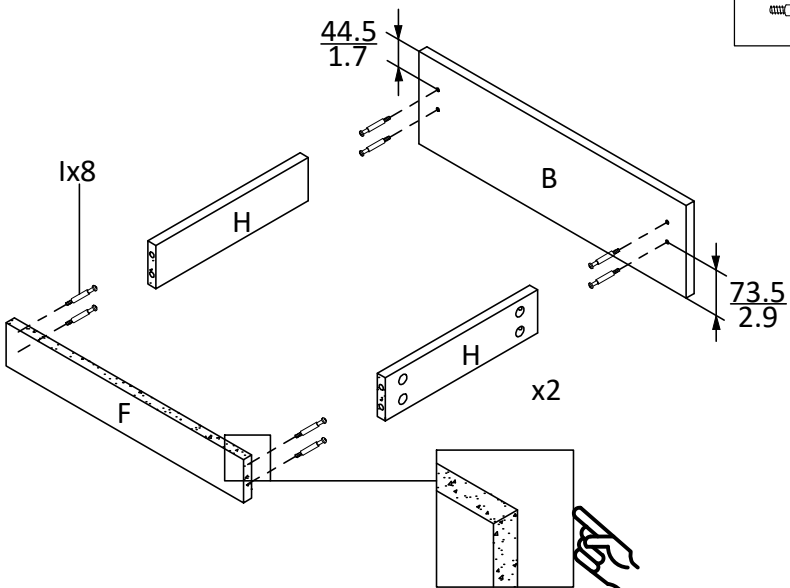
10

Lx20



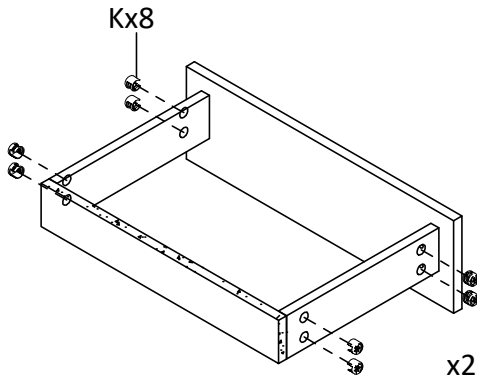
11

1x16



12

Kx16

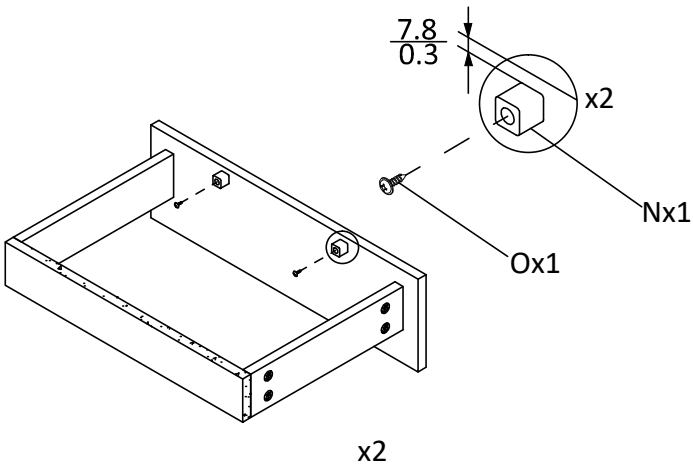


13

Nx4

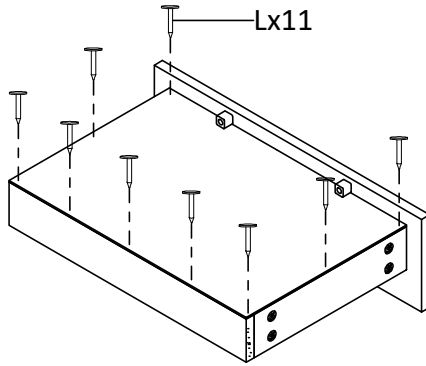


Ox4



14

Lx22



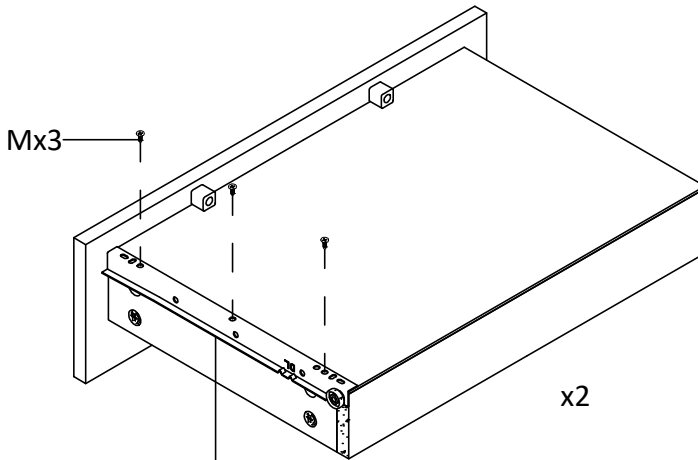
x2

15

DLx2



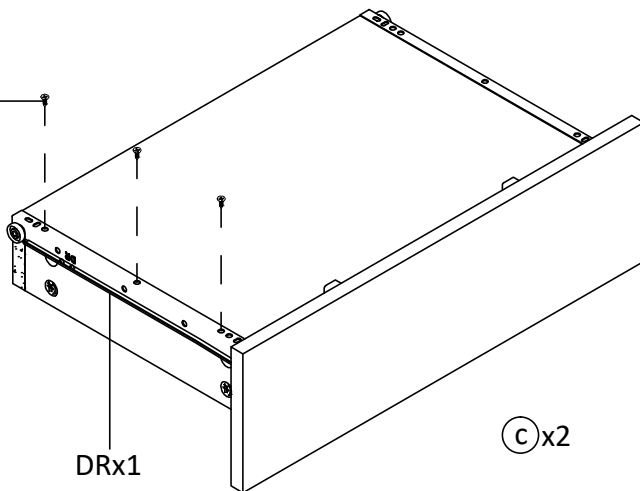
Mx6



x2

16

Mx3



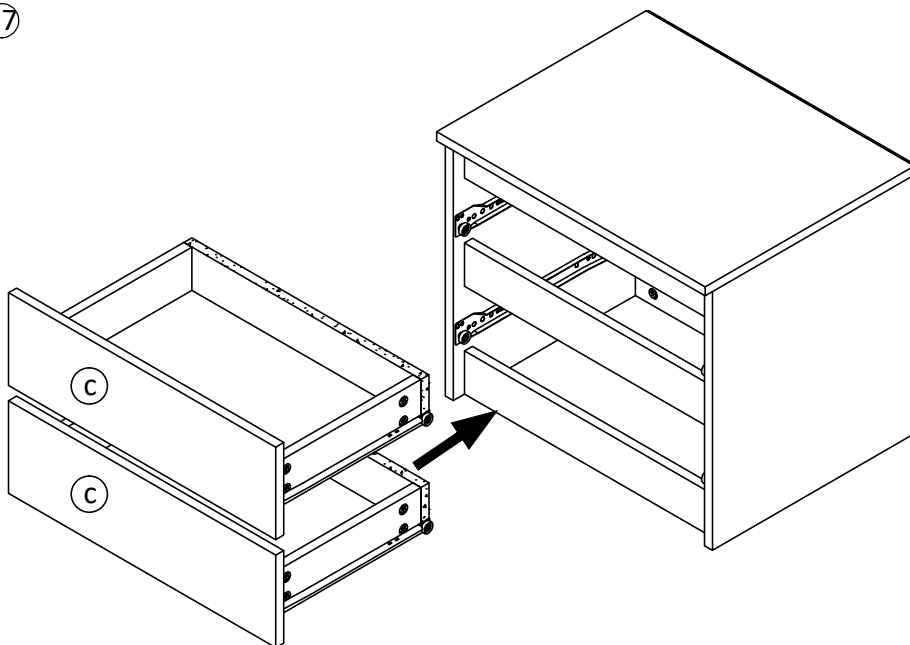
DRx2



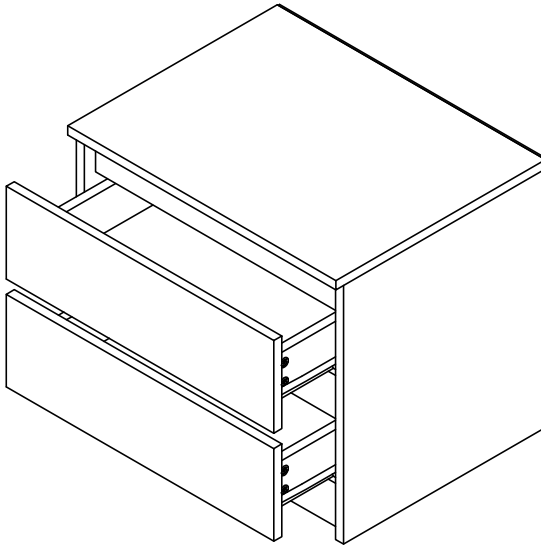
Mx6



17



18



19

