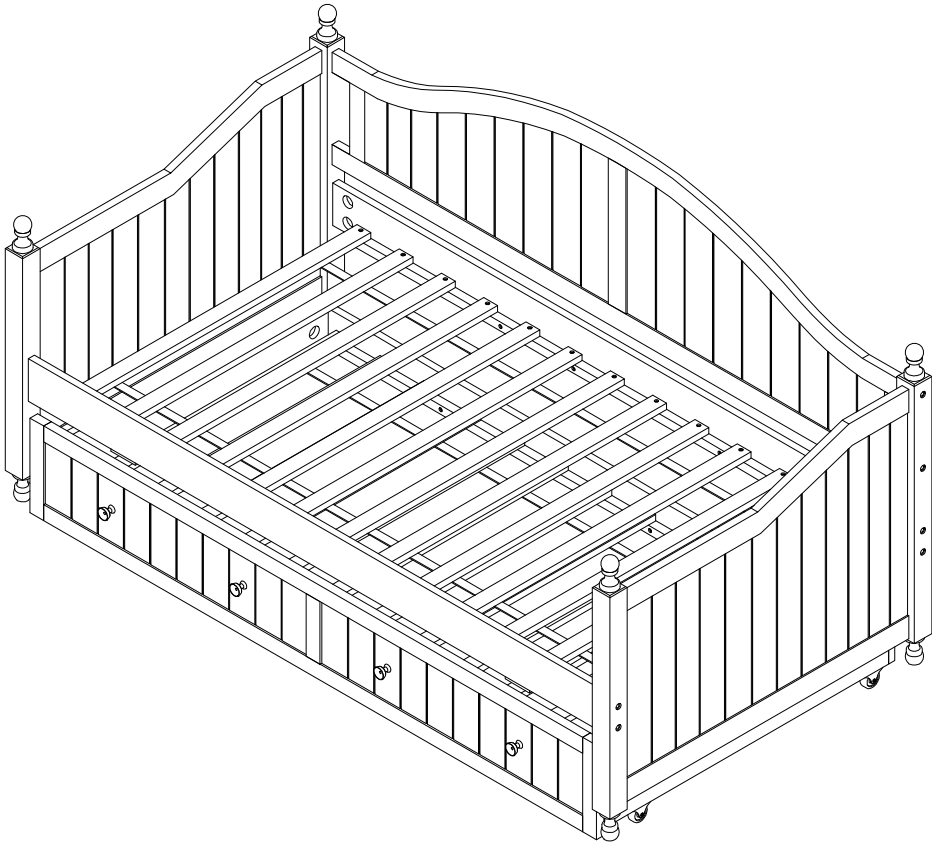


# **ASSEMBLY INSTRUCTIONS**



## ***Day Bed***

# ASSEMBLY INSTRUCTIONS

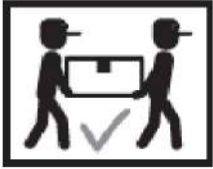
## ASSEMBLY TIPS:

1. Remove hardware from box and sort by size.
2. Please check to see that all hardware and parts are present prior to start of assembly.
3. Please follow attached instructions in the same sequence as numbered to assure fast & easy assembly.



### WARNING!

1. Don't attempt to repair or modify parts that are broken or defective. Please contact the store immediately.
2. This product is for home use only and not intended for commercial establishments.







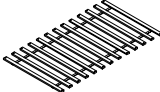
**ASSEMBLY TIME**

**30 MINUTES**

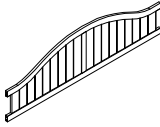

## PARTS IDENTIFICATION

### B1 (BOX 1)

A	RIGHT SIDE PANEL		1PC
B	LEFT SIDE PANEL		1PC
C	FINIAL		4PCS

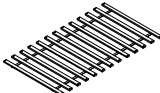
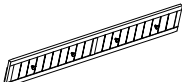

D	BUN FOOT		4PCS
E	ROLL SLAT (13PCS)		1 SET



### B2 (BOX 2)

F	BACK PANEL		1PC
G	FRONT RAIL		1PC

H	BACK RAIL		1PC
---	-----------	---------------------------------------------------------------------------------------	-----

### B3 (BOX 3)

I	TRUNDLE ROLL SLAT (13PCS)		1 SET
J	TRUNDLE FRONT PANEL		1PC
K	TRUNDLE BACK PANEL		1PC

L	TRUNDLE RIGHT SIDE PANEL WITH CASTER		1PC
M	TRUNDLE LEFT SIDE PANEL WITH CASTER		1PC

### NOTE:

Phillips head screw driver is required in the assembly process; however, manufacturer does not provide this item.

# ASSEMBLY INSTRUCTIONS

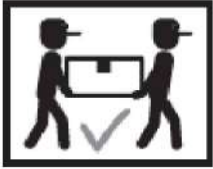
## ASSEMBLY TIPS:

1. Remove hardware from box and sort by size.
2. Please check to see that all hardware and parts are present prior to start of assembly.
3. Please follow attached instructions in the same sequence as numbered to assure fast & easy assembly.



### WARNING!

1. Don't attempt to repair or modify parts that are broken or defective. Please contact the store immediately.
2. This product is for home use only and not intended for commercial establishments.








**ASSEMBLY TIME**









**30 MINUTES**

## HARDWARE IDENTIFICATION

### (BOX2) - HARDWARE PACK

1	<b>BOLT</b> (1/4 x 110mm $\Phi$ 15L4 - RBW)		12PCS	4	<b>WOOD DOWEL</b> (10 x 40mm)		8PCS
2	<b>HALF ROUND NUT</b> (1/4 x 22mm - RBW)		12PCS	5	<b>ALLEN WRENCH</b> (4 x 57MM - RBW)		1PC
3	<b>FLAT HEAD SCREW</b> (4 x 30mm - RBW)		26PCS				

### (BOX3) - HARDWARE PACK

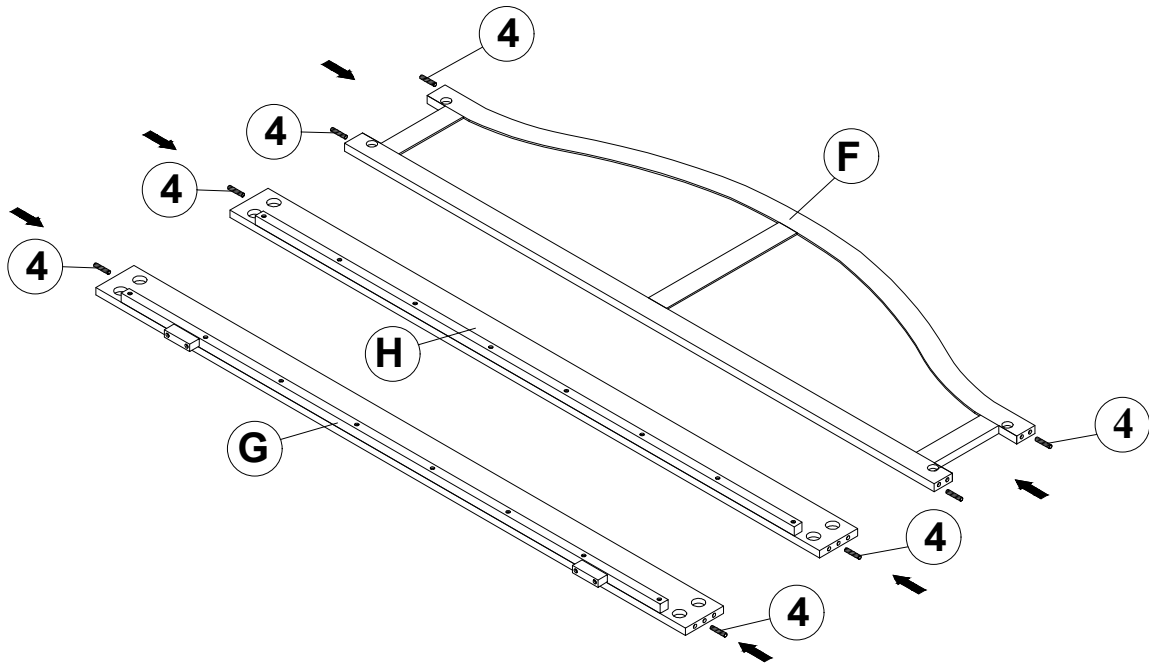
6	<b>LONG BOLT</b> (1/4 x 50mm $\Phi$ 12L4 - RBW)		2PCS	10	<b>WOOD DOWEL</b> (10 x 40mm)		4PCS
7	<b>HALF ROUND NUT</b> (1/4 x 22mm - RBW)		2PCS	11	<b>KNOB</b> (5/32mm - RBW)		4PCS
8	<b>SHORT BOLT</b> (1/4 x 35mm $\Phi$ 12L4 - RBW)		4PCS	12	<b>BOLT WITH WASHER</b> (1/4 x 35mm $\Phi$ 12L4 - RBW)		4PCS
9	<b>FLAT HEAD SCREW</b> (4 x 30mm - RBW)		26PCS	13	<b>ALLEN WRENCH</b> (4 x 57MM - RBW)		1PC

### NOTE:

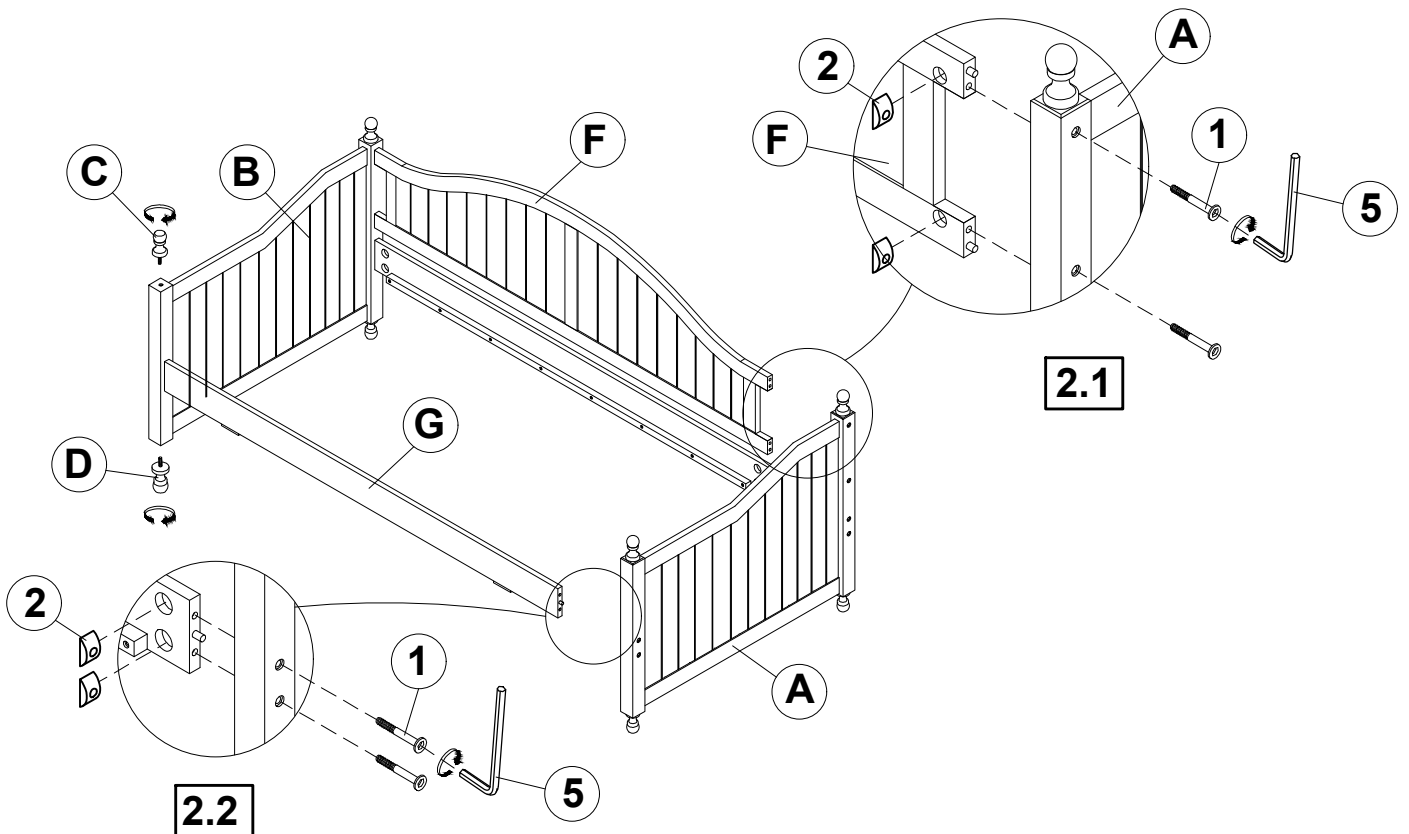
Phillips head screw driver is required in the assembly process; however, manufacturer does not provide this item.

# ASSEMBLY INSTRUCTIONS

## STEP 1

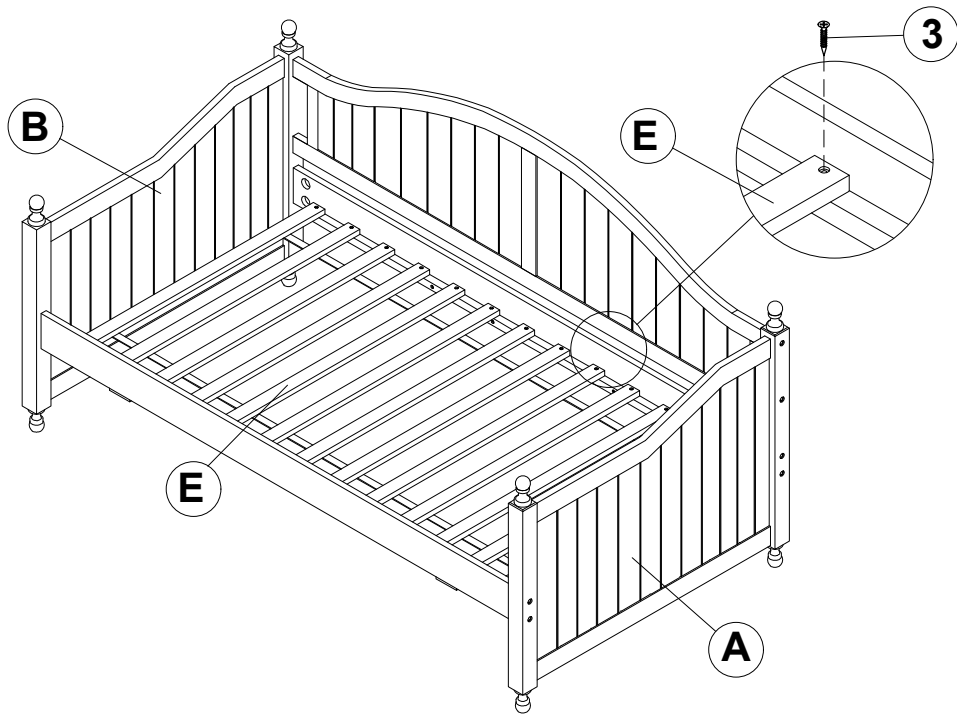


## STEP 2

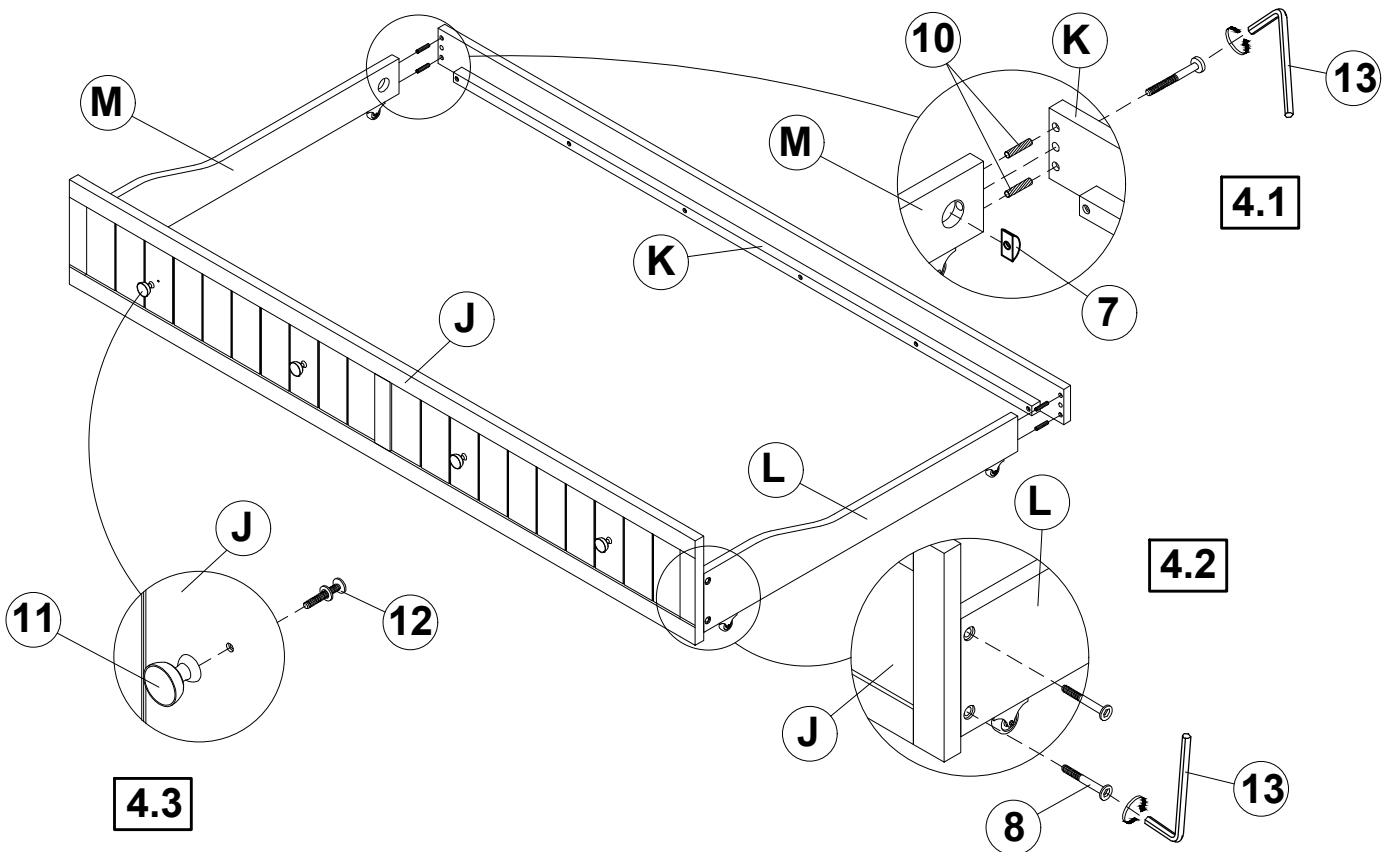


# ASSEMBLY INSTRUCTIONS

## STEP 3

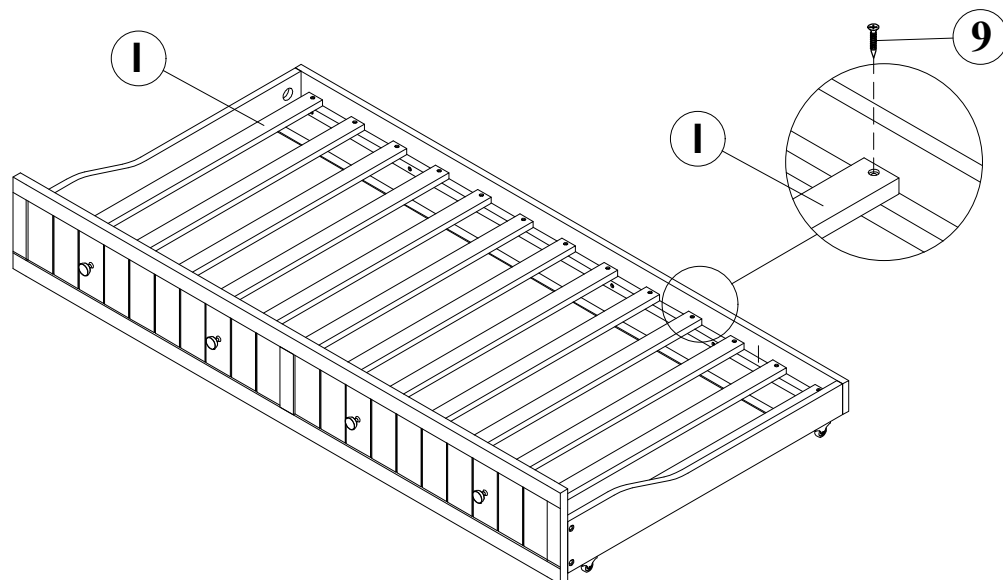


## STEP 4

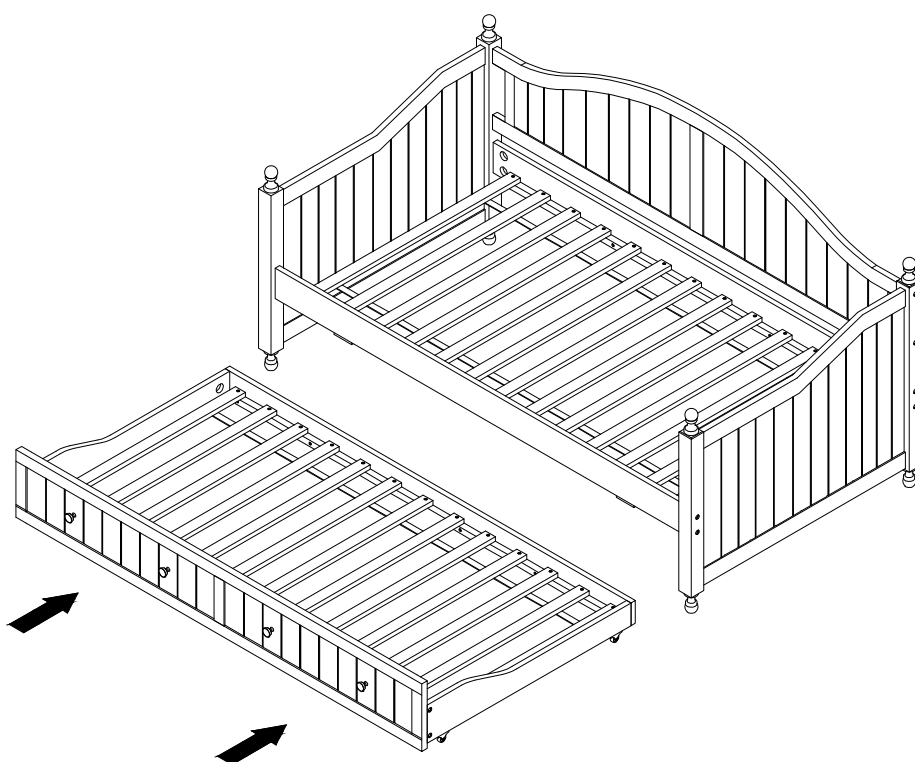


# ASSEMBLY INSTRUCTIONS

## STEP 5



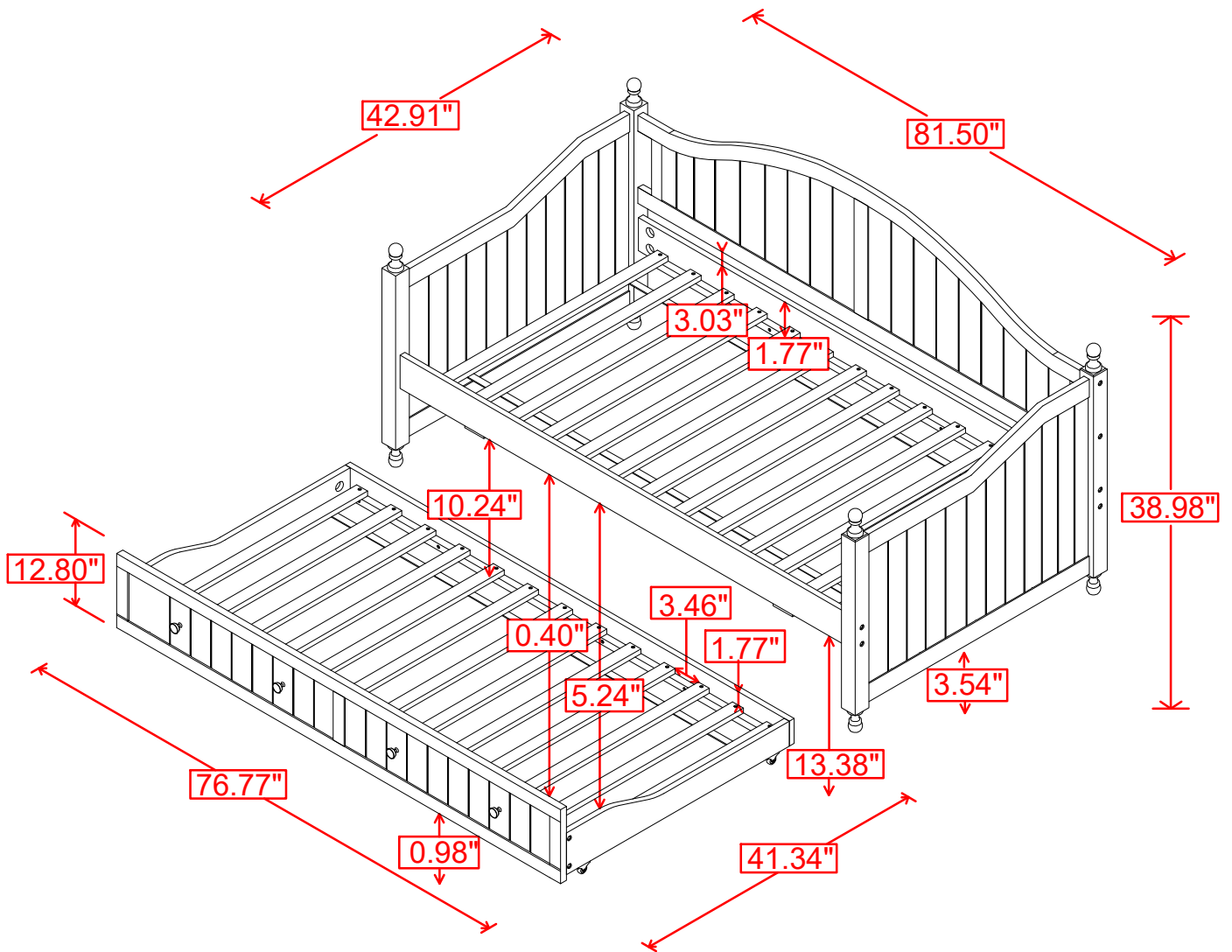
## STEP 6 COMPLETE



# ASSEMBLY INSTRUCTIONS

INNER SIZE: 79.97" X 39.96"

TRUNDLE INNER SIZE: 75.20" X 39.96"



**Note:** Dimension tolerance  $\pm 5\%$