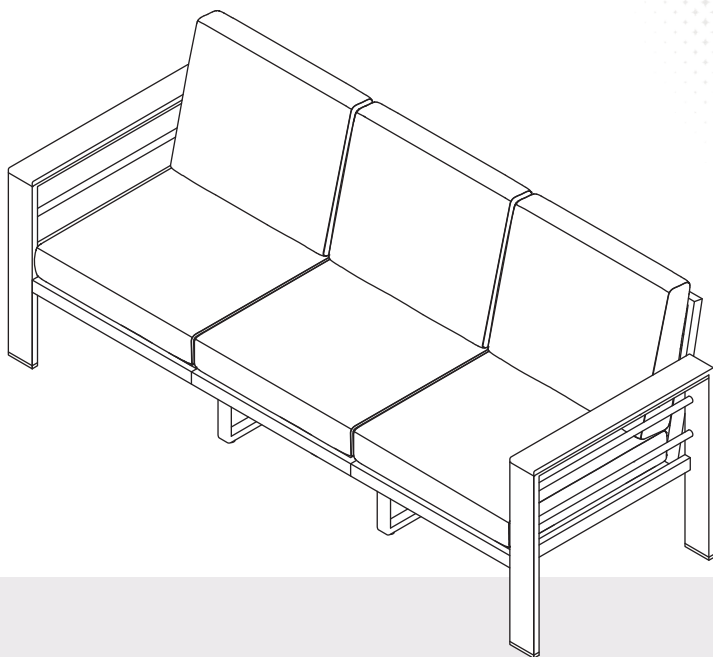


MANUAL INSTRUCTION

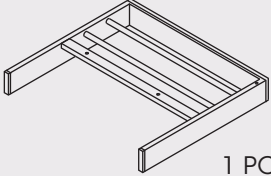
Aluminum three-seat sofa



We offer a diverse range of products to
meet the needs of customers.

PARTS

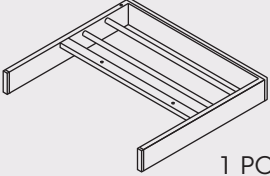
A Right Armrest



1 PC

The diagram shows a right armrest component, which is a rectangular frame with a flat top surface and a vertical backrest section on the right side.

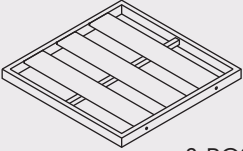
B Left Armrest



1 PC

The diagram shows a left armrest component, which is a rectangular frame with a flat top surface and a vertical backrest section on the left side.

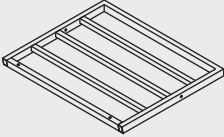
C Seat plate



3 PCS

The diagram shows three seat plate components, which are rectangular frames with a flat top surface and a vertical backrest section.

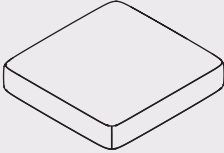
D Back plate



3 PCS

The diagram shows three back plate components, which are rectangular frames with a flat top surface and a vertical backrest section.

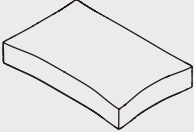
E Seat cushion



3 PCS

The diagram shows three seat cushion components, which are rectangular pads with a slightly curved top surface.

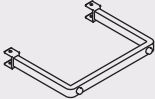
F Back cushion



3 PCS

The diagram shows three back cushion components, which are rectangular pads with a curved top surface.

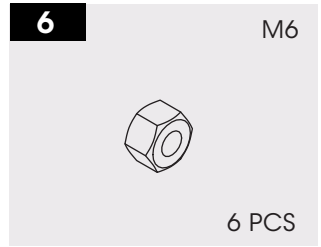
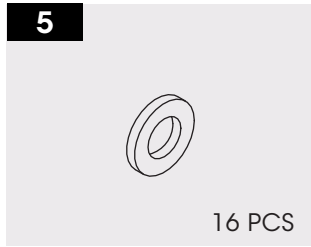
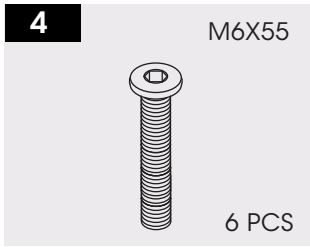
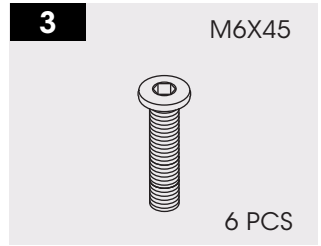
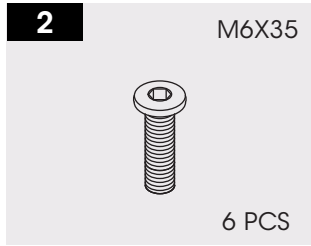
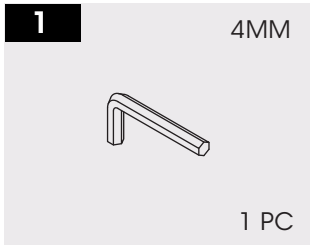
G Middle leg



2 PCS

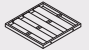



The diagram shows two middle leg components, which are L-shaped metal brackets with a circular hole at the end of the vertical leg.

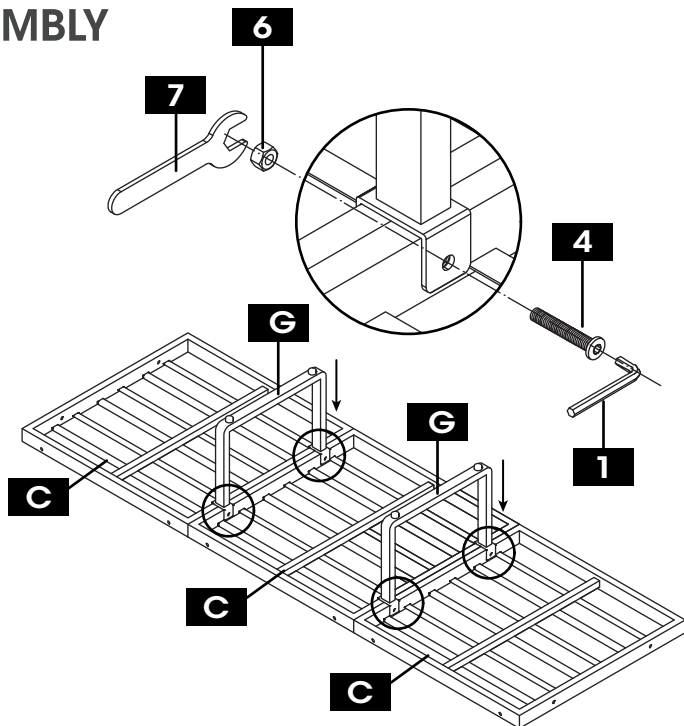
HARDWARE







I PRODUCT ASSEMBLY

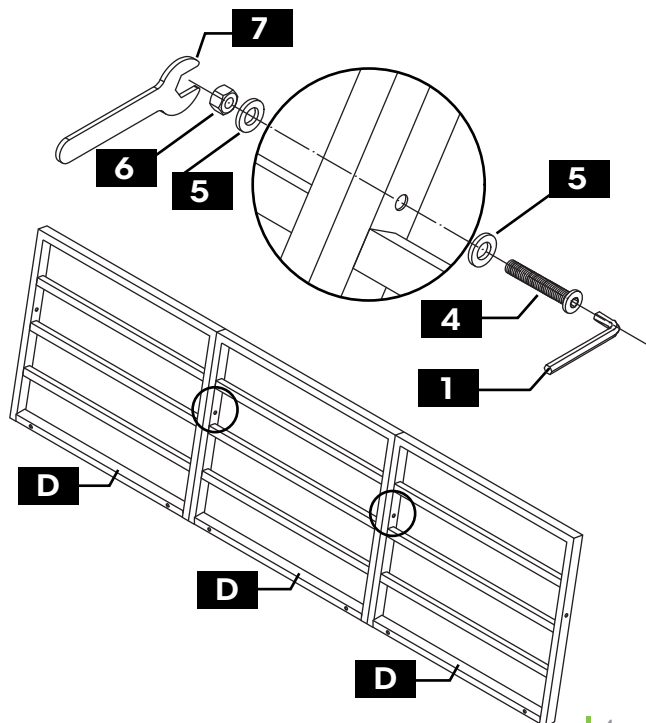
1 Step 1

PART	NO.	QTY.
	C	3
	G	2
	4	4
	6	4





2 Step 2

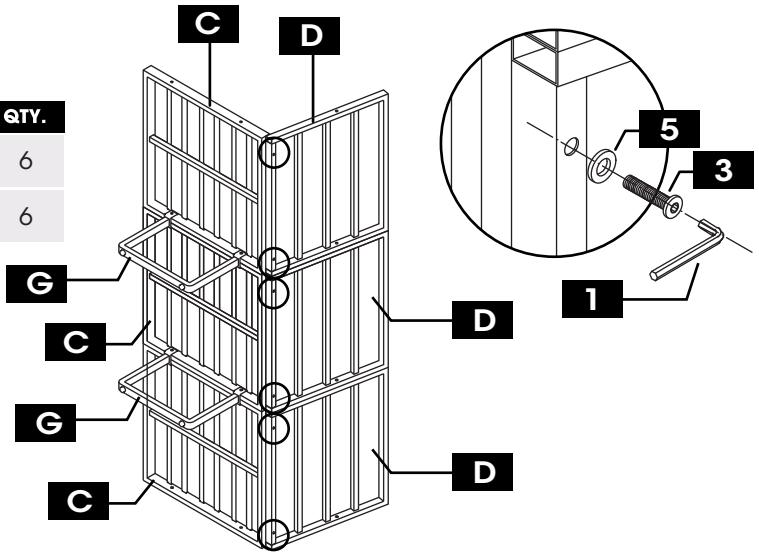
PART	NO.	QTY.
	D	3
	4	2
	5	4
	6	2





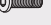
I PRODUCT ASSEMBLY

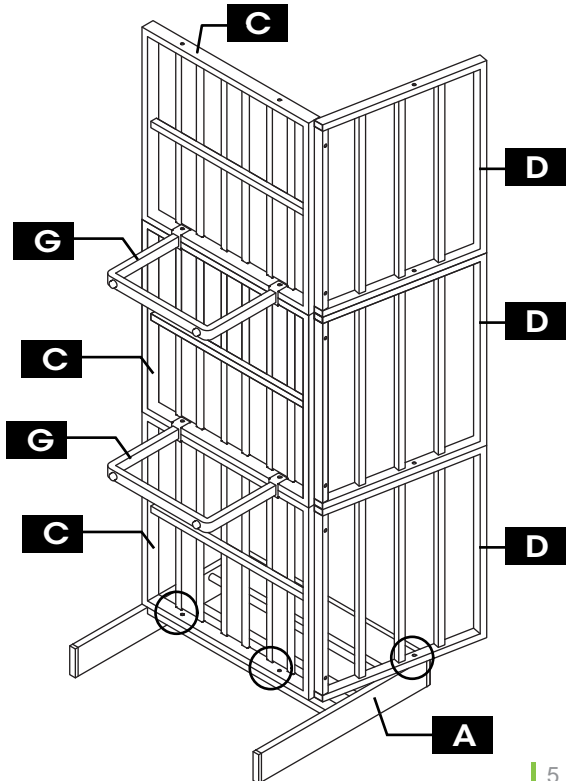
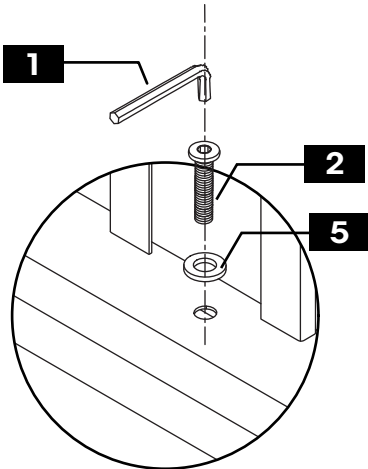
3 Step 3

PART	NO.	QTY.
	3	6
	5	6






4 Step 4

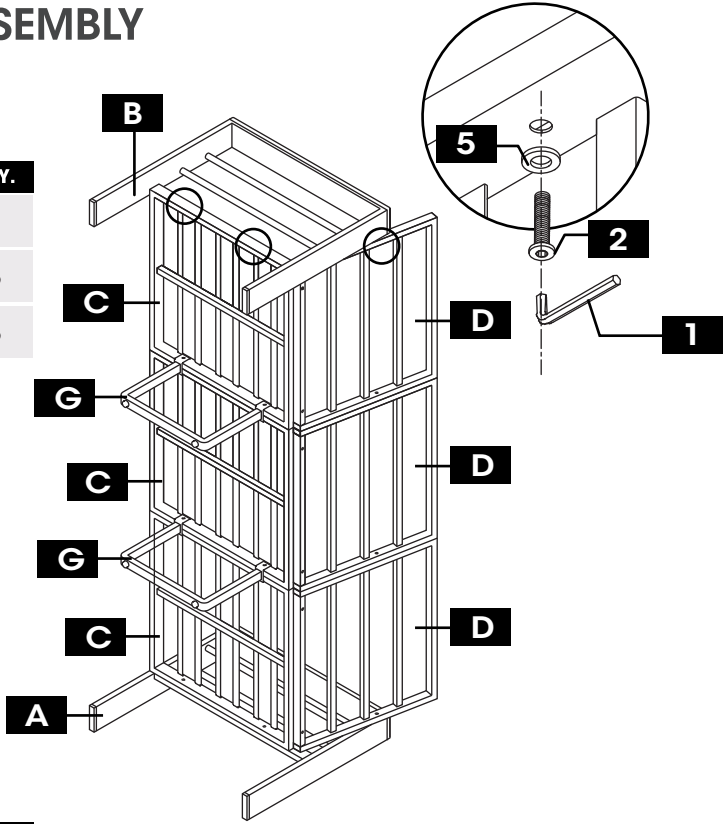
PART	NO.	QTY.
	A	1
	5	3
	2	3





I PRODUCT ASSEMBLY

5 Step 5

PART	NO.	QTY.
	B	1
	5	3
	2	3



6 Step 6

PART	NO.	QTY.
	F	3
	E	3

