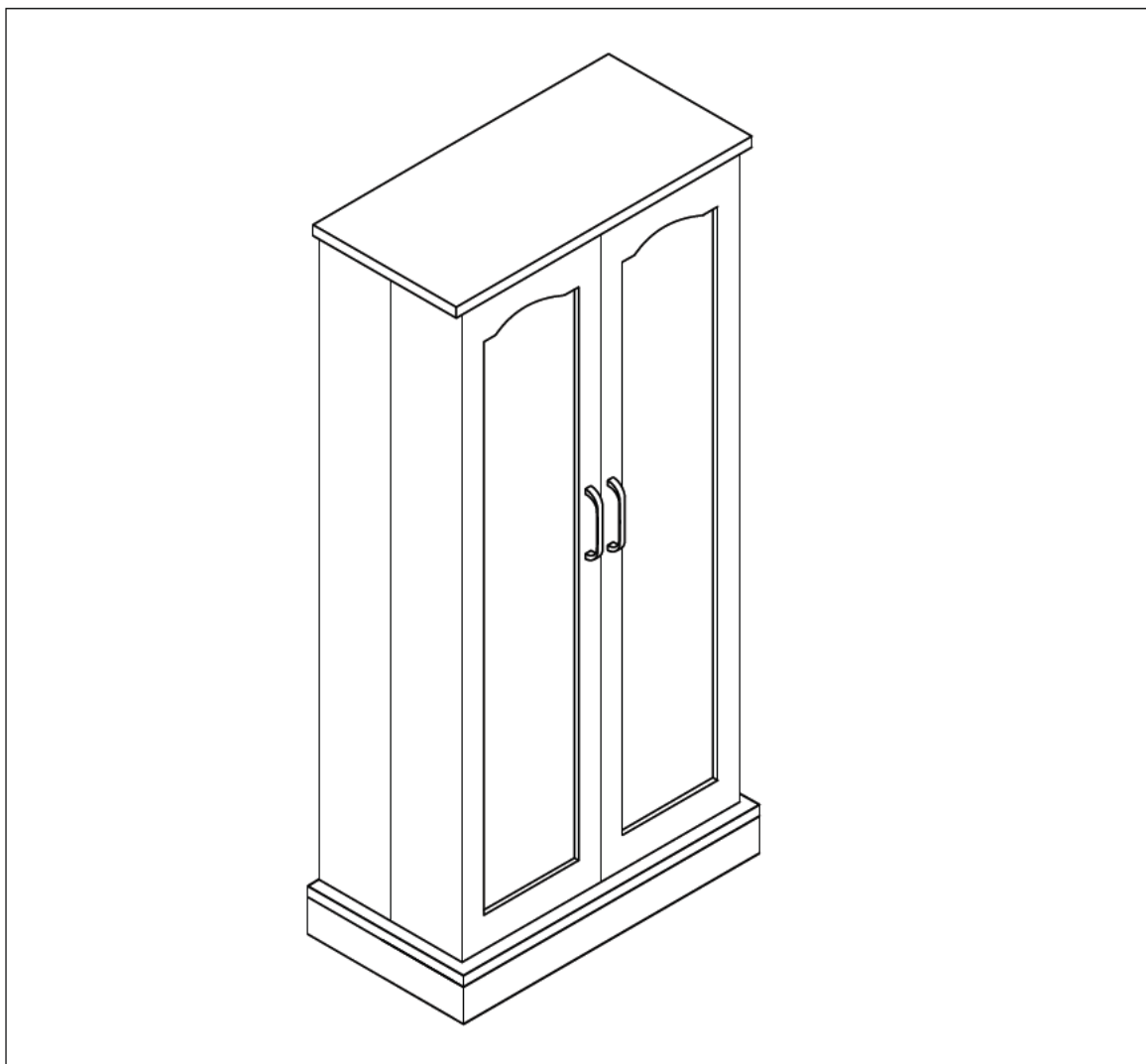




Herramientas requeridas
(no incluidas)





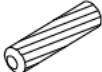



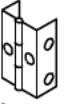



2 personas
para el armado



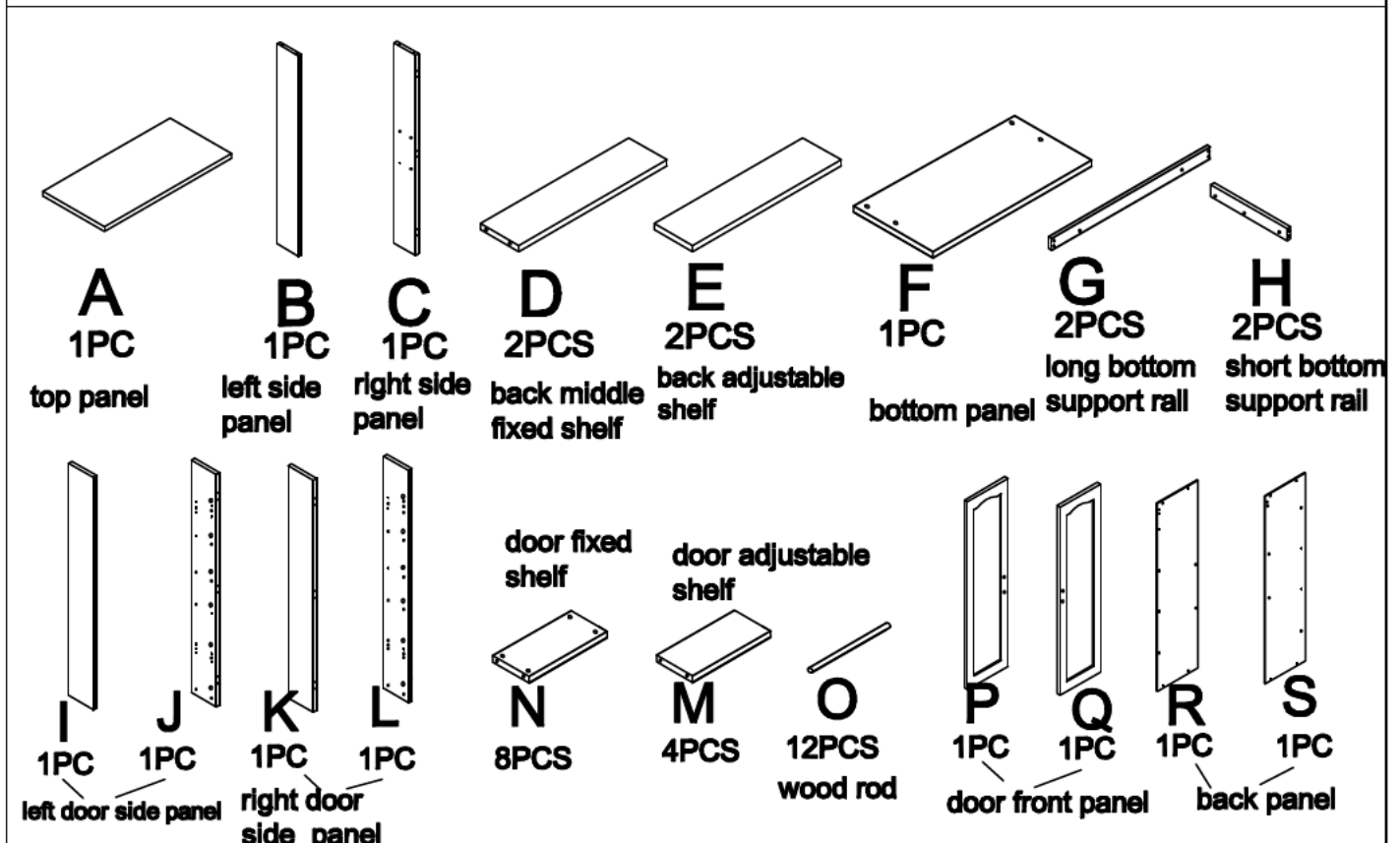
MADE IN CHINA

Assembly Instructions

Hardware Provided

a	 Cam lock set	56 SETS +8 Extra Part	f	 Wood knob	1PC 2SETS
b	 Wood dowels	32 PCS	g	 Magnet	2PCS 2SETS
c	 Metal screw	26 PCS +4 Extra Part	h	 Hook	2PCS 2SETS
d	 Hinge	6PCS 6SETS	i	 Anchor	1PC 2SETS
e	 Metal shelf holder	24PCS +4 Extra Part	j	 Magnet	2PCS 2SETS

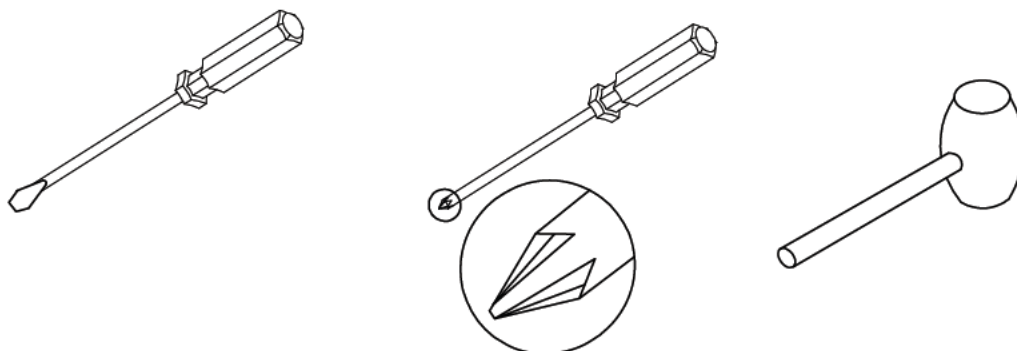
Parts Identification



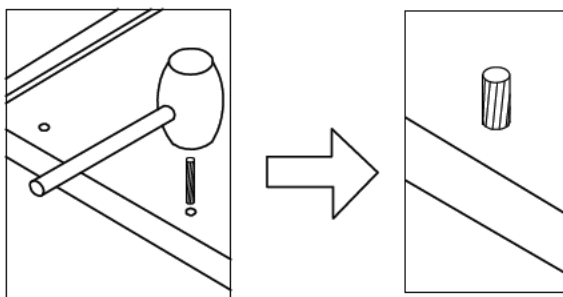
MADE IN CHINA

Assembly Instructions

ASSEMBLY TOOLS REQUIRED (NOT INCLUDED)



Wooden dowel installation



Gently tap dowel into hole with rubber mallet.

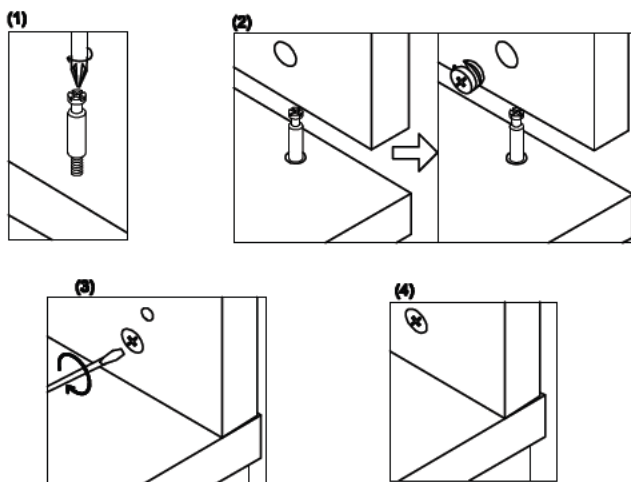
*** Before discarding packing materials, please check all parts and hardware are presented.**

*** Please follow the instructions closely.**

*** After few days of initial assembly, the product may has acclimated to new environment, please tighten all hardware again.**

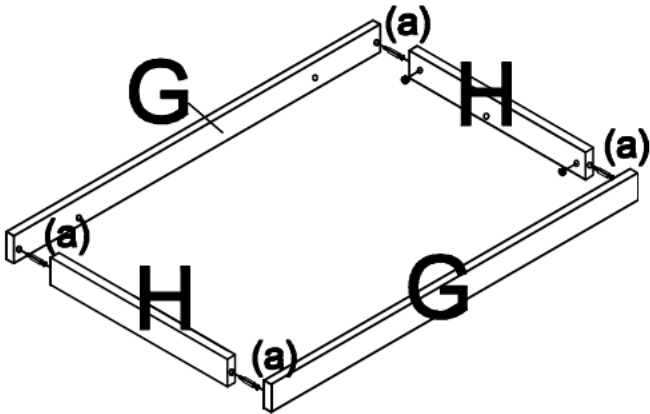
Hidden connector..... Assembly Techniques


2 personas
para el armado



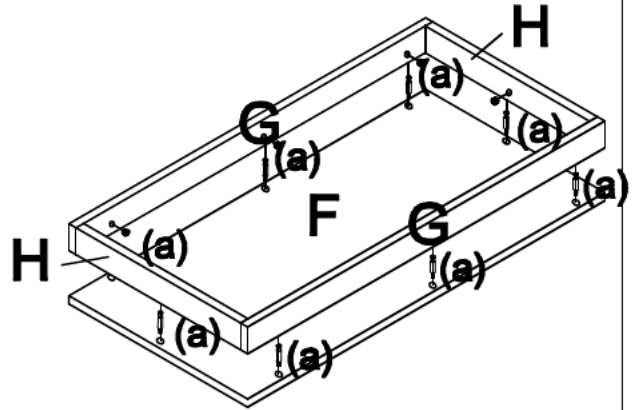
Assembly Instructions

Step 1



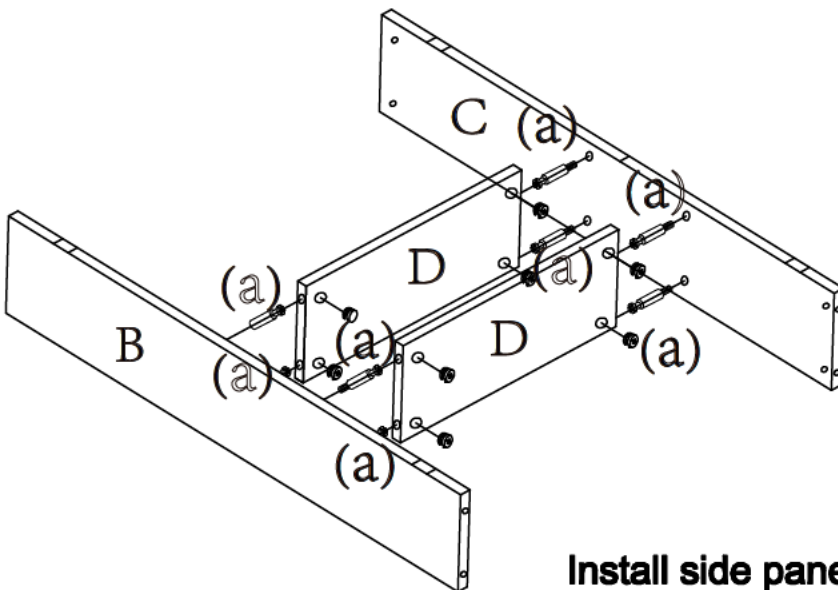
Install bottom support rails (G&H) by using 4sets cam locks (a).

Step 2



Install bottom panel (F) to the unit from step 1 by using 8sets cam locks (a).

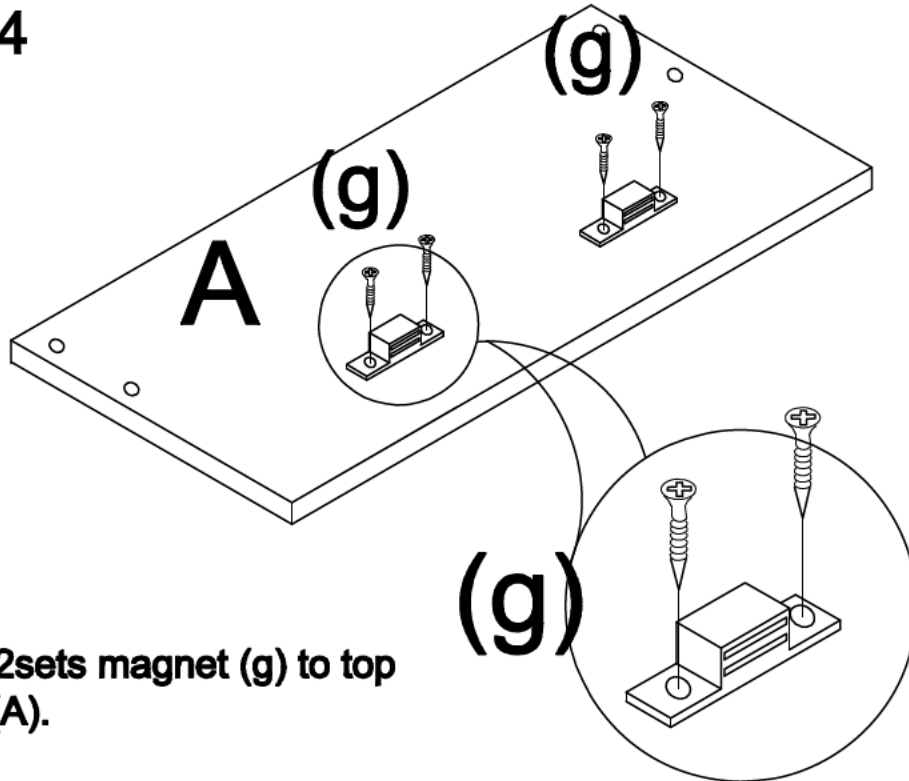
Step 3



Install side panels (B&C) and middle fixed shelves (D) by using 8sets cam locks (a).

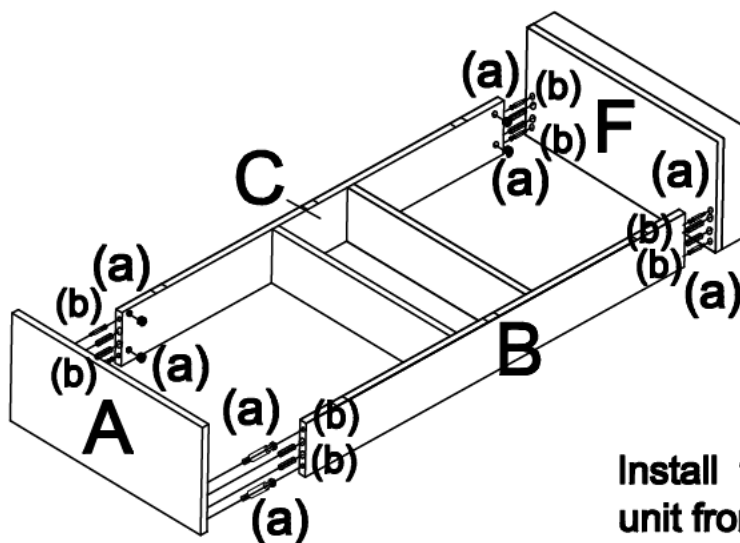
Assembly Instructions

Step 4



Install 2sets magnet (g) to top panel (A).

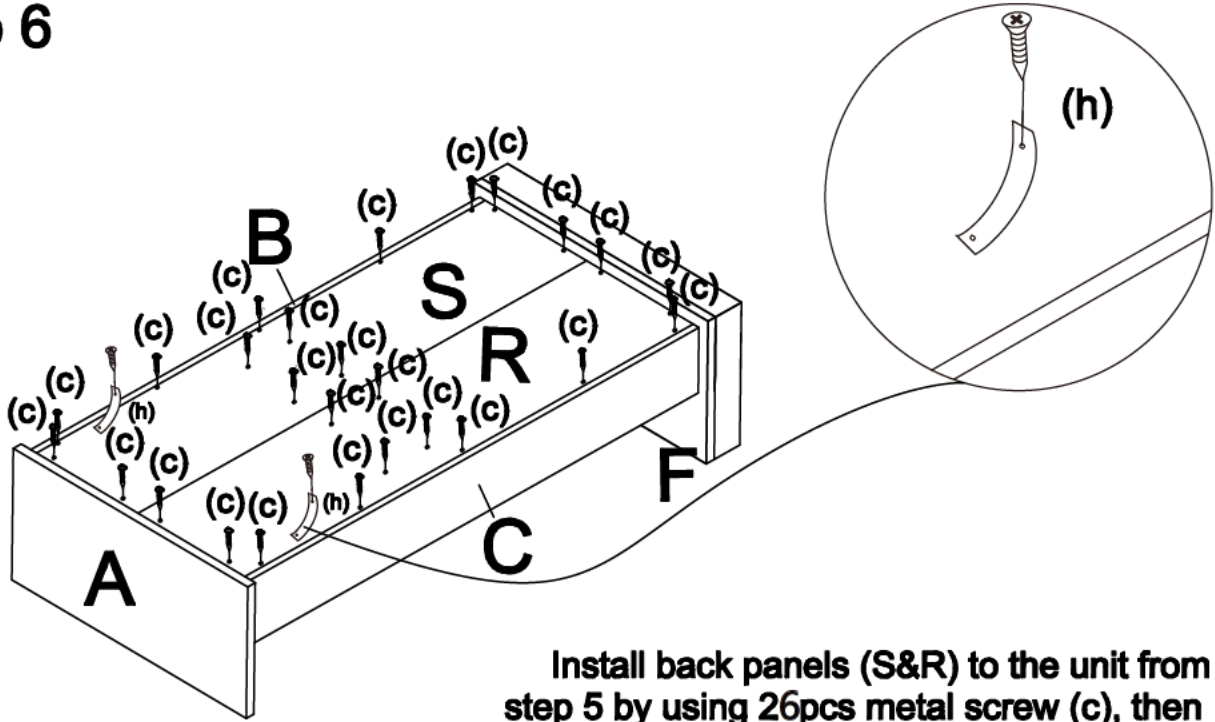
Step 5



Install the unit from step 4 and the unit from step 2 to unit from step 3 by using 4pcs cam lock (b) and 8 sets cam locks (a).

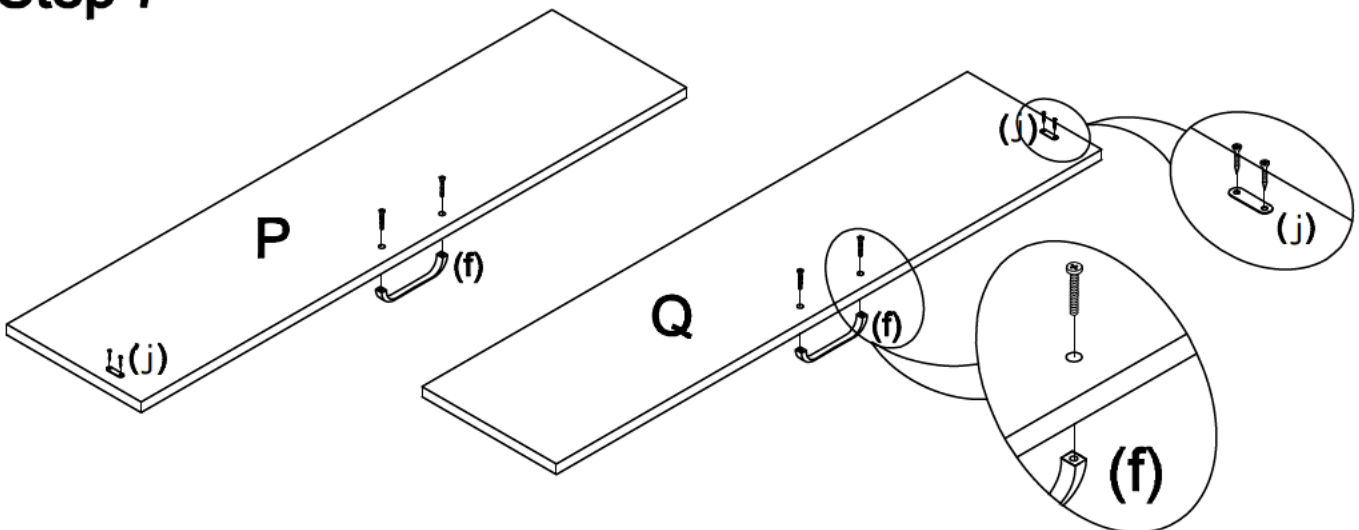
Assembly Instructions

Step 6



Install back panels (S&R) to the unit from step 5 by using 26pcs metal screw (c), then assemble 2sets hooks (h) to the unit.

Step 7

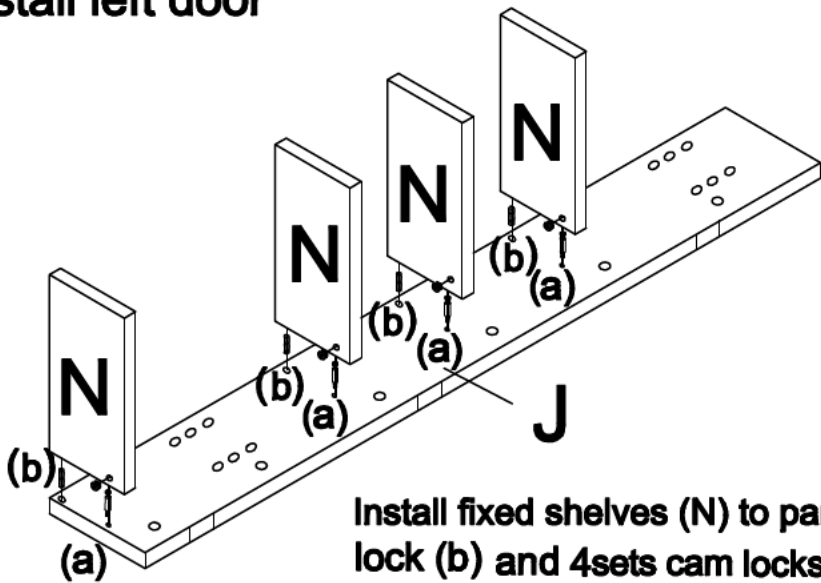


Install 2sets magnets (j) and 2sets handles (f) to panels (P & Q).

Assembly Instructions

Step 8

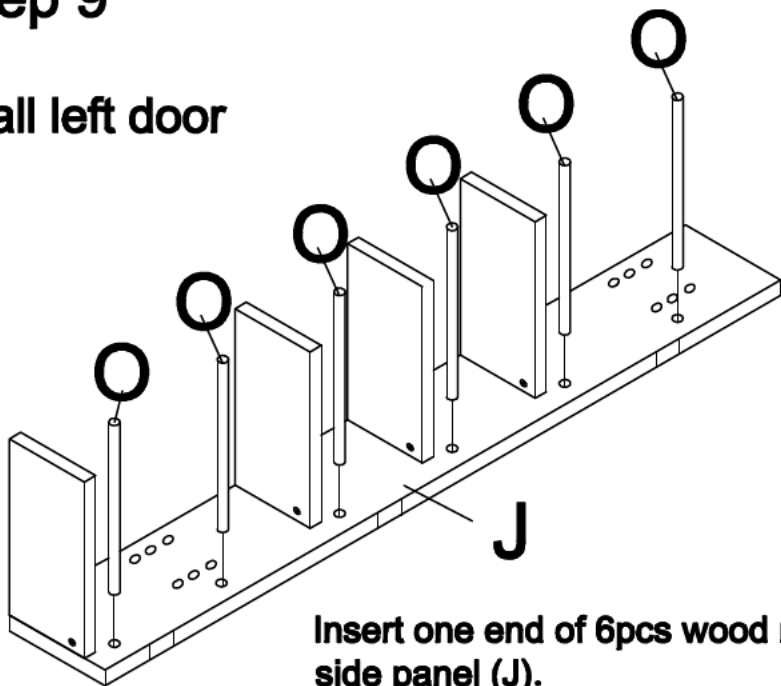
Install left door



Install fixed shelves (N) to panel (J) by using 4pcs cam lock (b) and 4sets cam locks (a).

Step 9

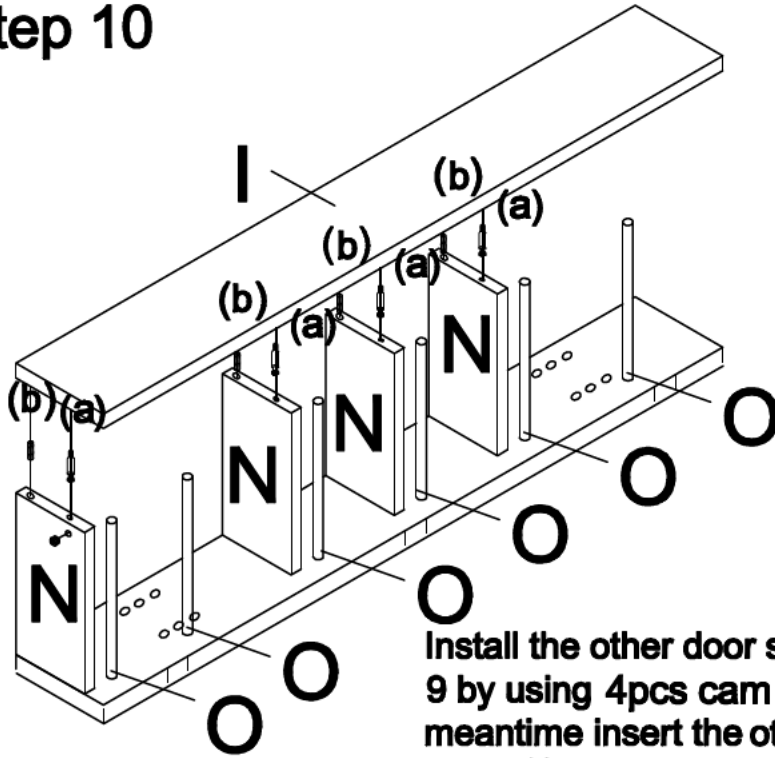
Install left door



Insert one end of 6pcs wood rods (O) to holes on door side panel (J).

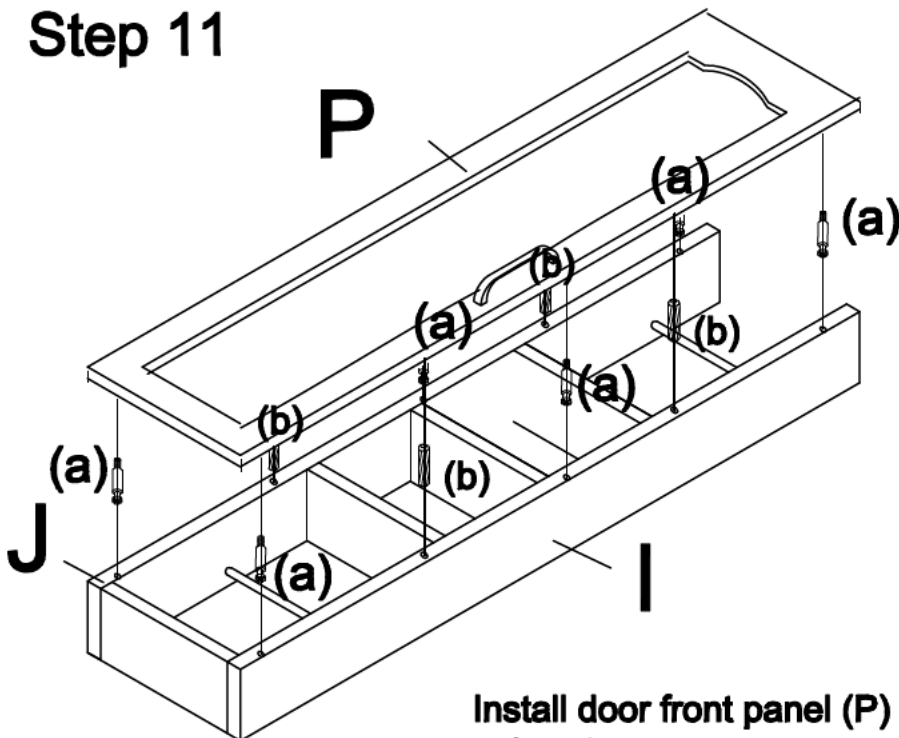
Assembly Instructions

Step 10



Install the other door side panel (I) to the unit from step 9 by using 4pcs cam lock (b) and 4sets cam locks (a), meantime insert the other end of rods (O) to holes on panel (I).

Step 11

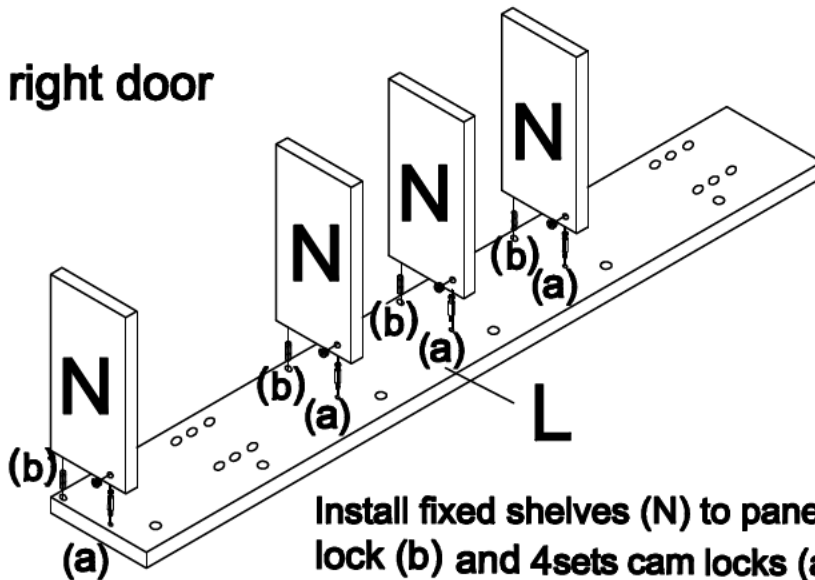


Install door front panel (P) to the unit from step 10 by using 4pcs cam lock (b) and 6 sets cam locks (a).

Assembly Instructions

Step 12

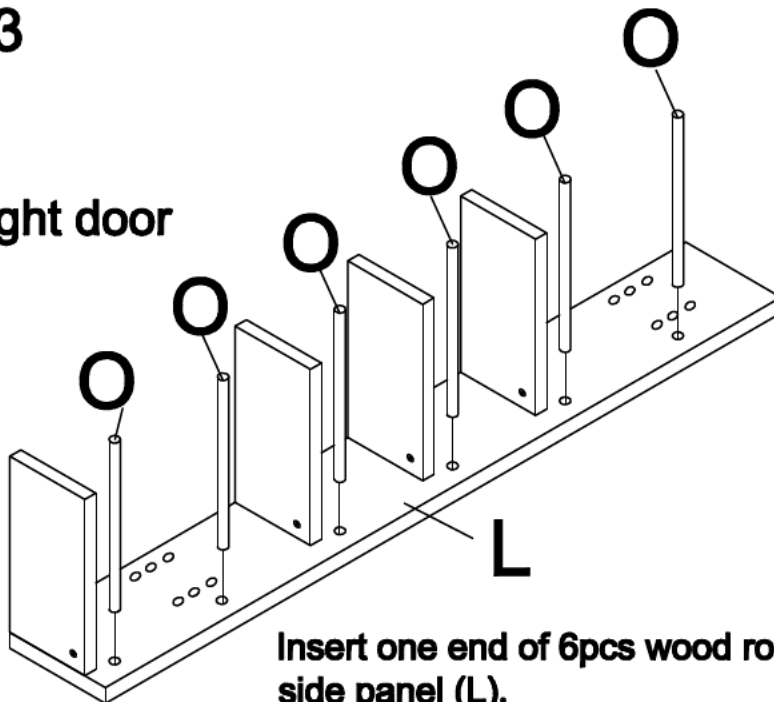
Install right door



Install fixed shelves (N) to panel (L) by using 4pcs cam lock (b) and 4sets cam locks (a).

Step 13

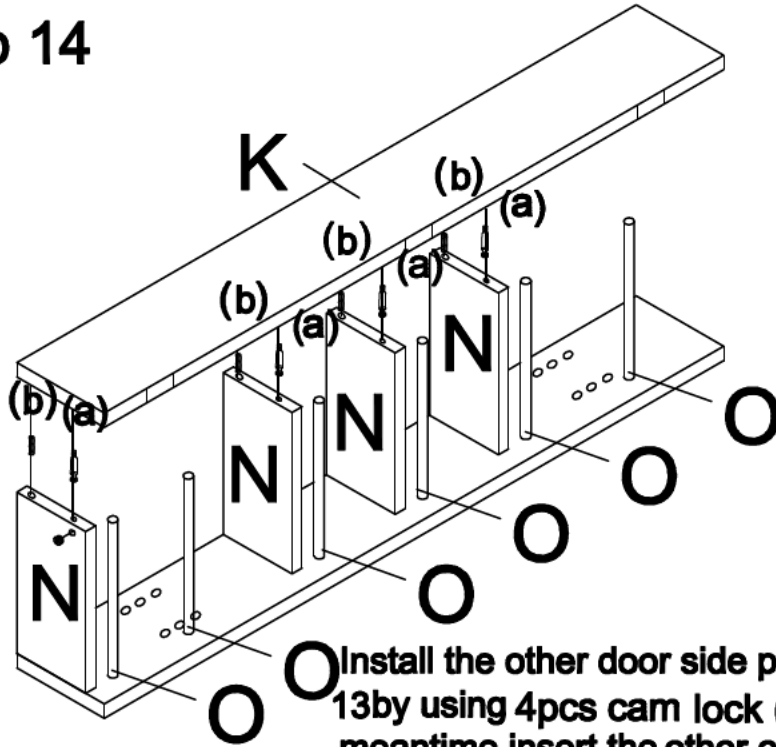
Install right door



Insert one end of 6pcs wood rods (O) to holes on door side panel (L).

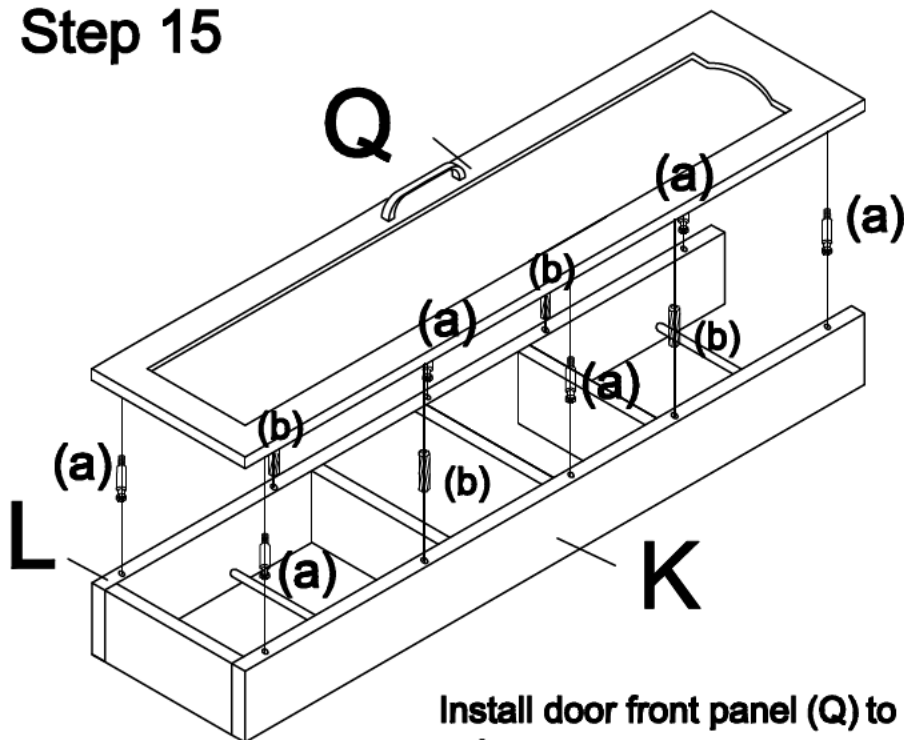
Assembly Instructions

Step 14



Install the other door side panel (K) to the unit from step 13 by using 4 pcs cam lock (b) and 4 sets cam locks (a), meantime insert the other end of rods (O) to holes on panel (K).

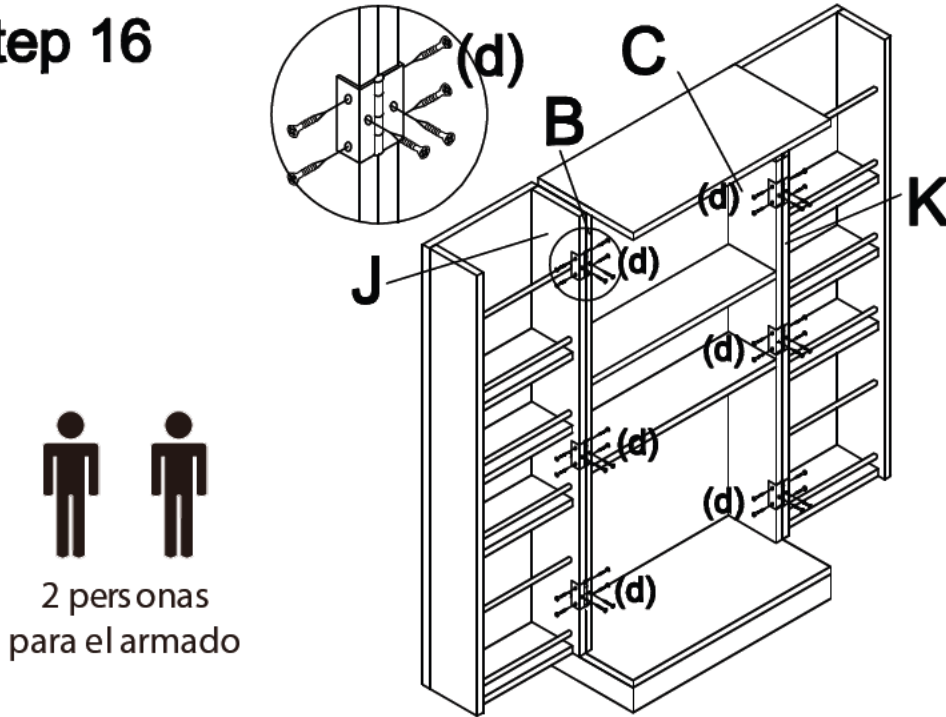
Step 15



Install door front panel (Q) to the unit from step 14 by using 4 pcs cam lock (b) and 6 sets cam locks (a).

Assembly Instructions

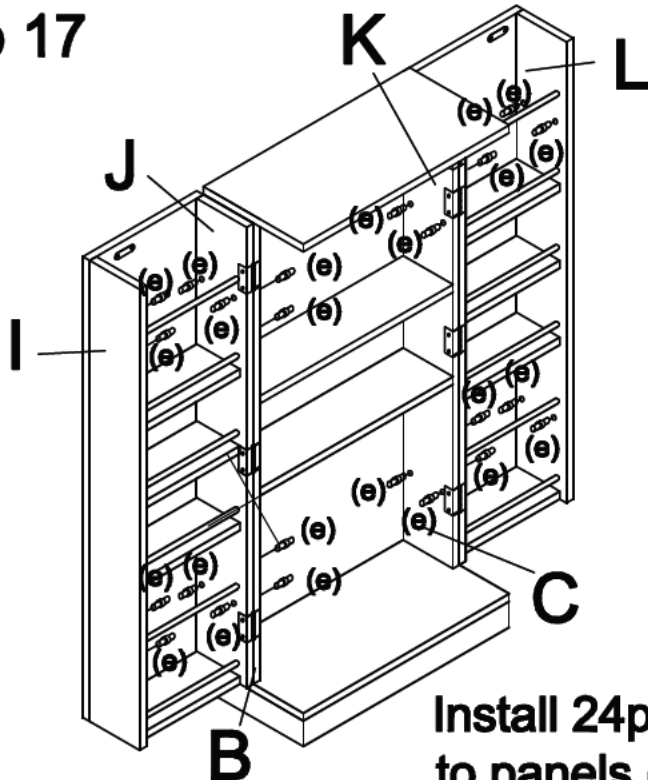
Step 16



2 personas
para el armado

Install panels (J&B) and (K&C) by using 6sets hinges (d).

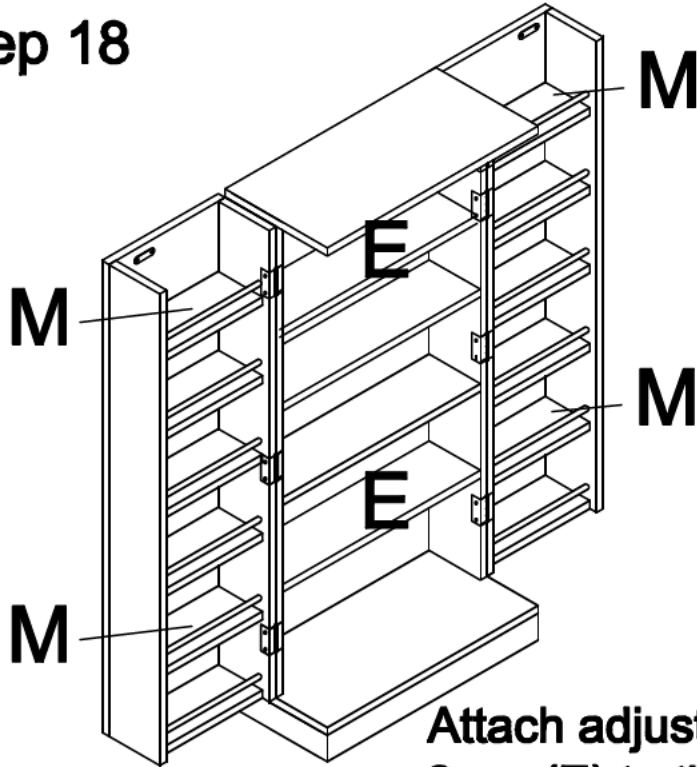
Step 17



Install 24pcs metal shelf holder (e)
to panels (B,C,I,J,K&L).

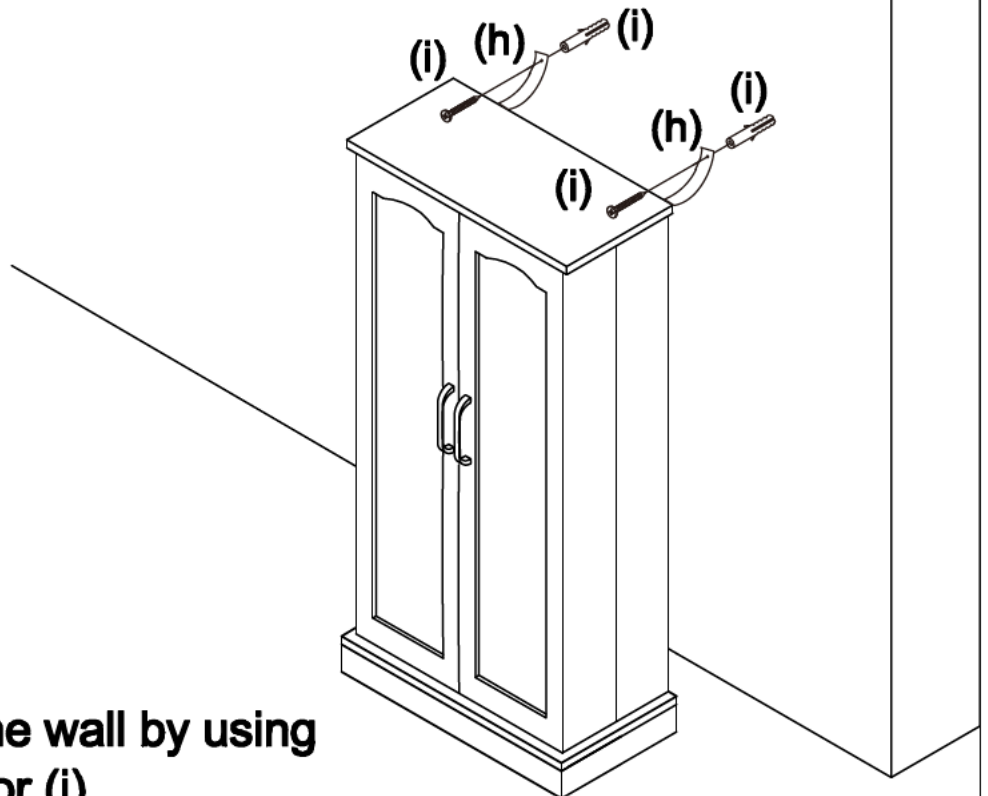
Assembly Instructions

Step 18



Attach adjustable shelves 4pcs (M) and 2pcs (E) to the unit from step 17.

Step 19



Install the unit to the wall by using hook (h) and anchor (i).