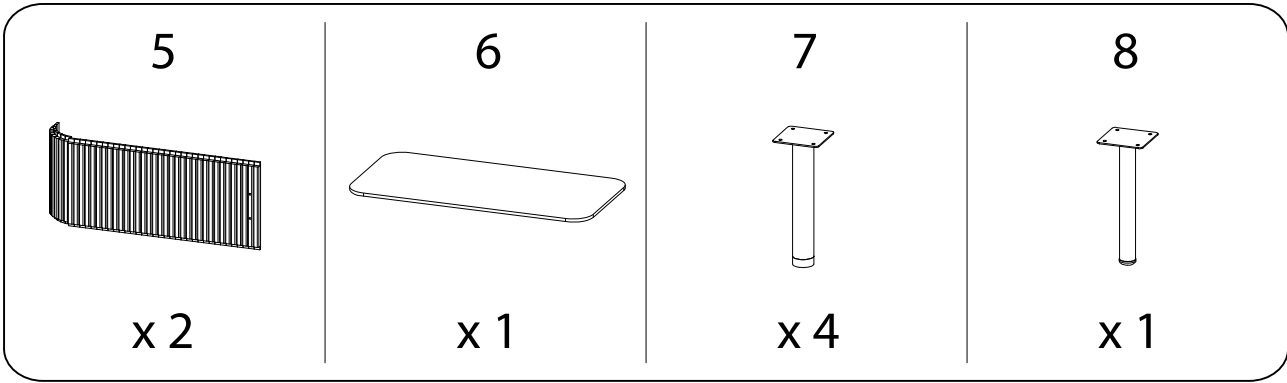
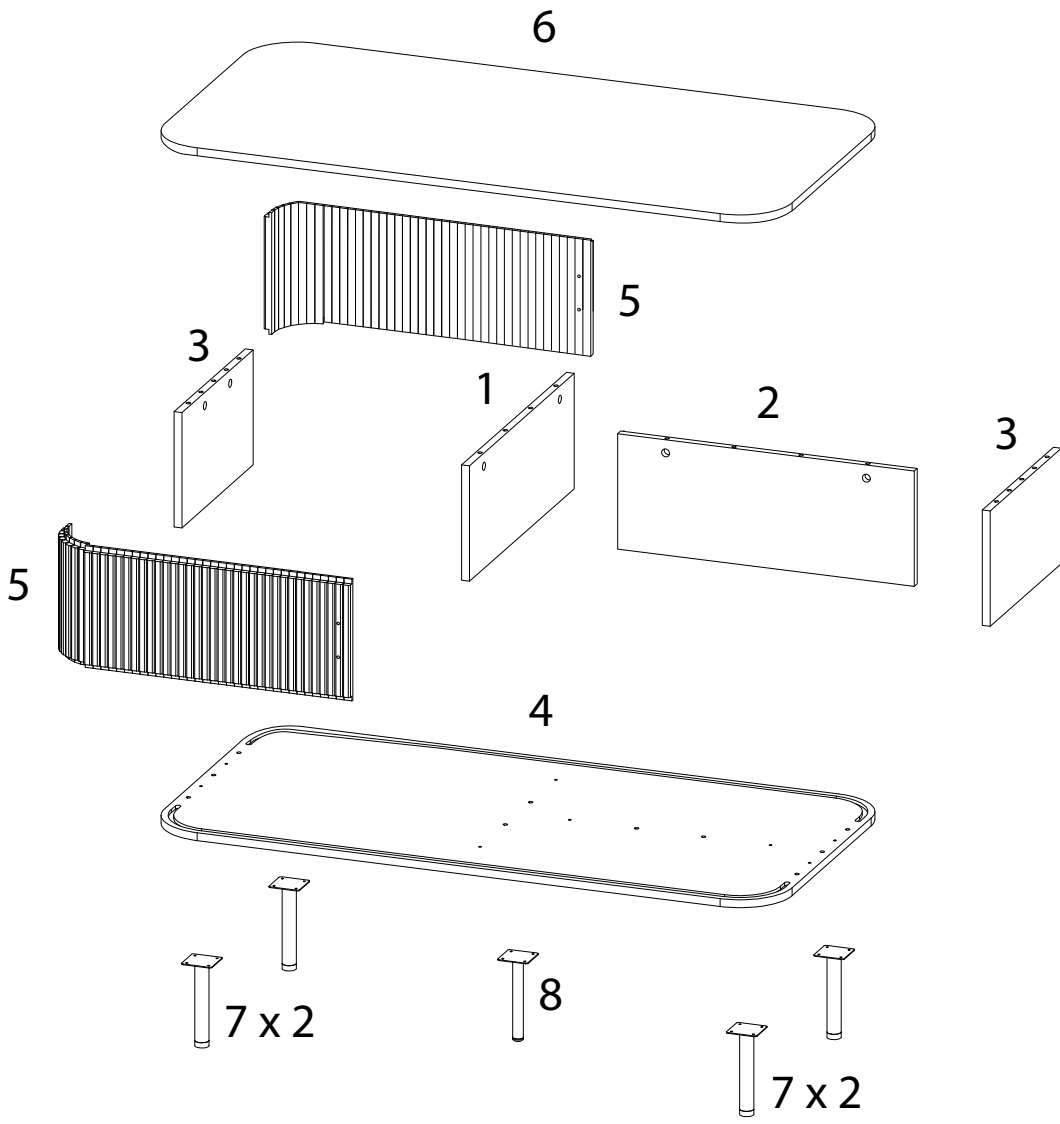
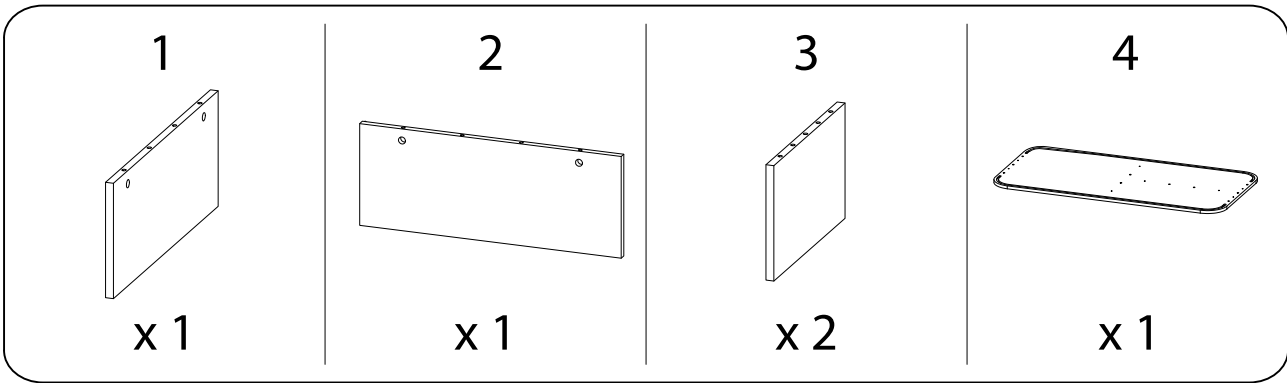
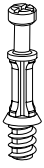


Assembly instructions for step 1/7:

- Tools:** A screwdriver is required. A power drill is not required (indicated by a crossed-out drill icon).
- Warnings:** Two warning triangles with exclamation marks are present, one for each tool section.
- Time:** The estimated assembly time is 45 minutes, represented by a clock icon.
- Personnel:** Two people are required for assembly, represented by a person icon and the number 2.

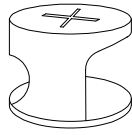


A



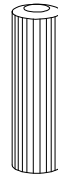
x 8

B



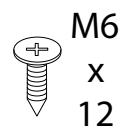
x 8

C



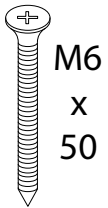
x 20

D



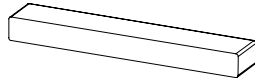
x 20

E



x 8

F



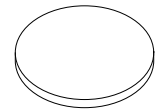
x 2

G



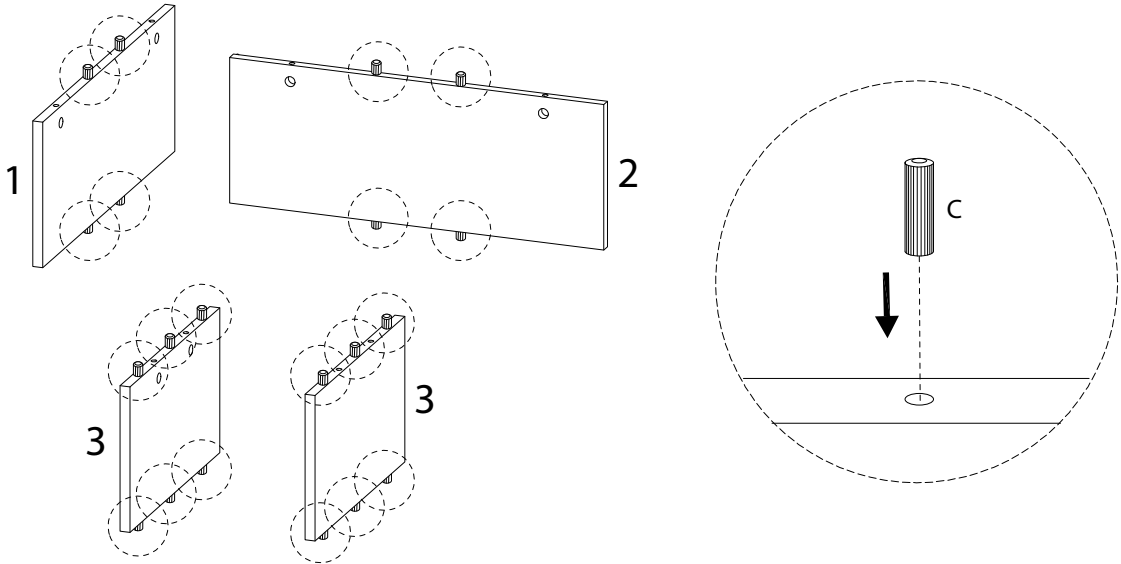
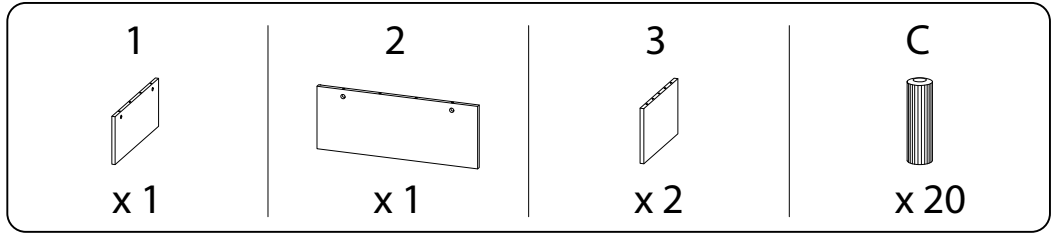
x 4

H

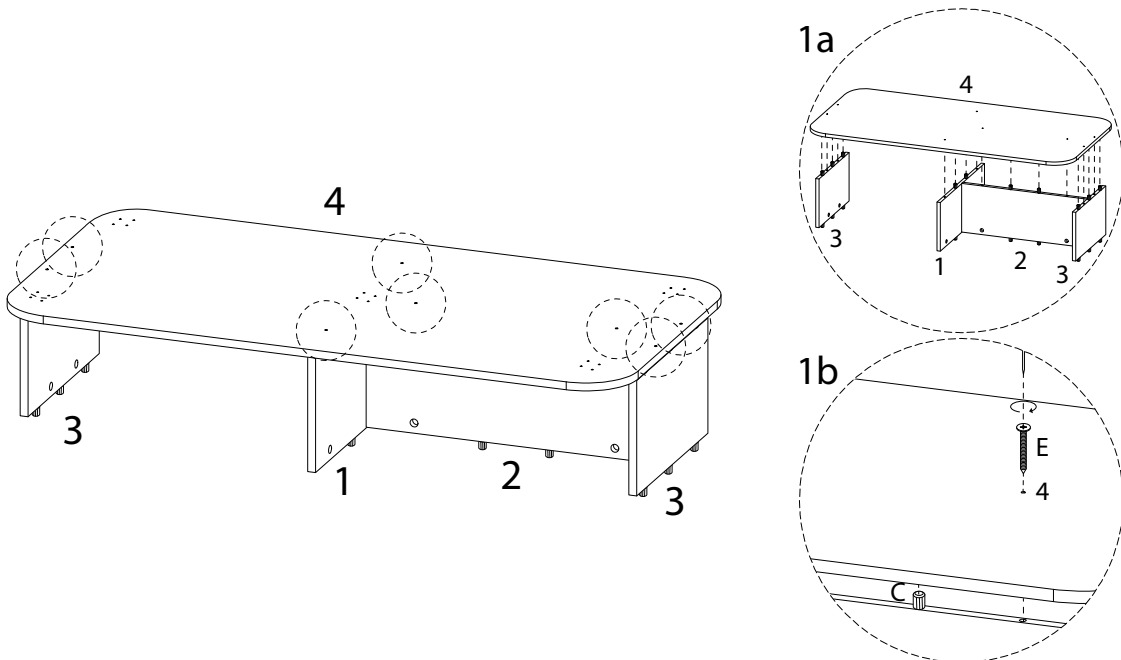
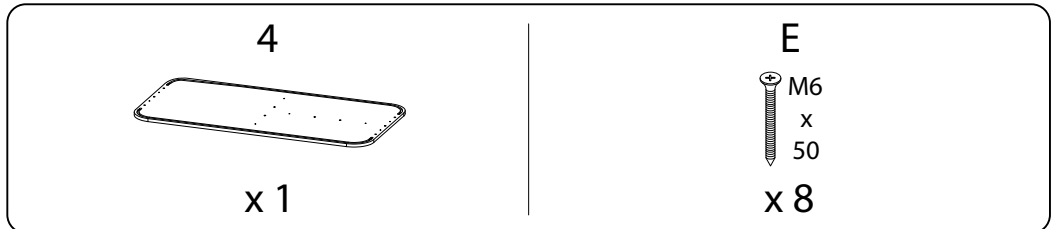


x 8

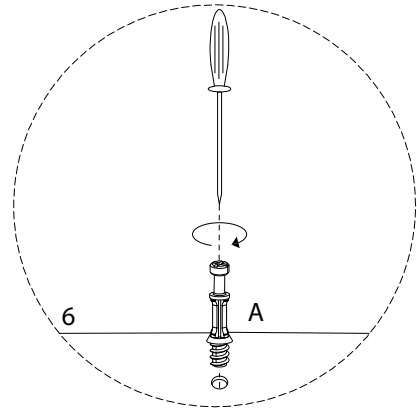
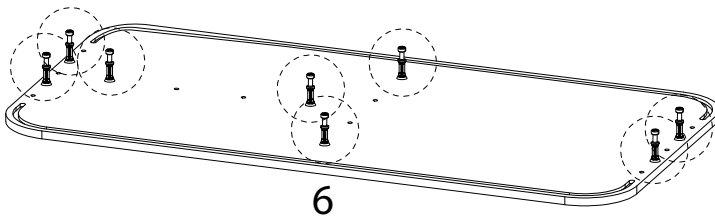
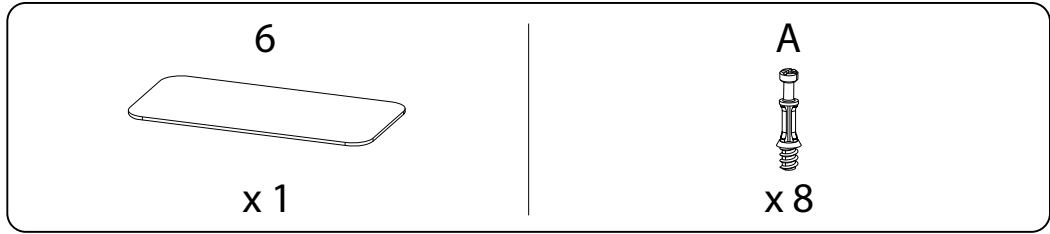
1



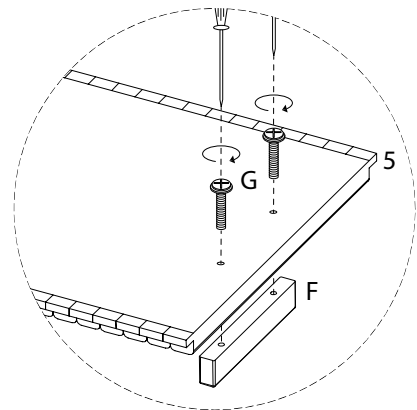
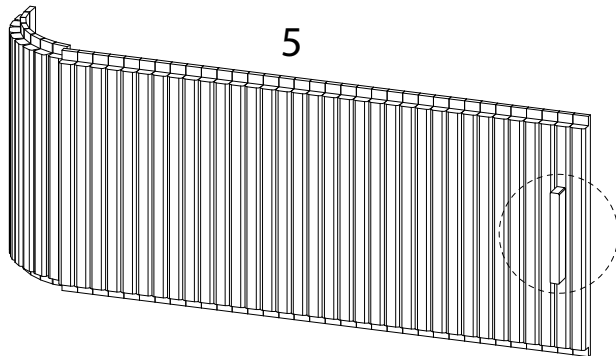
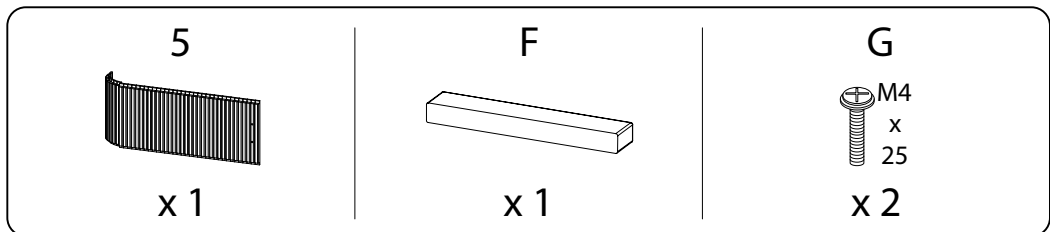
2



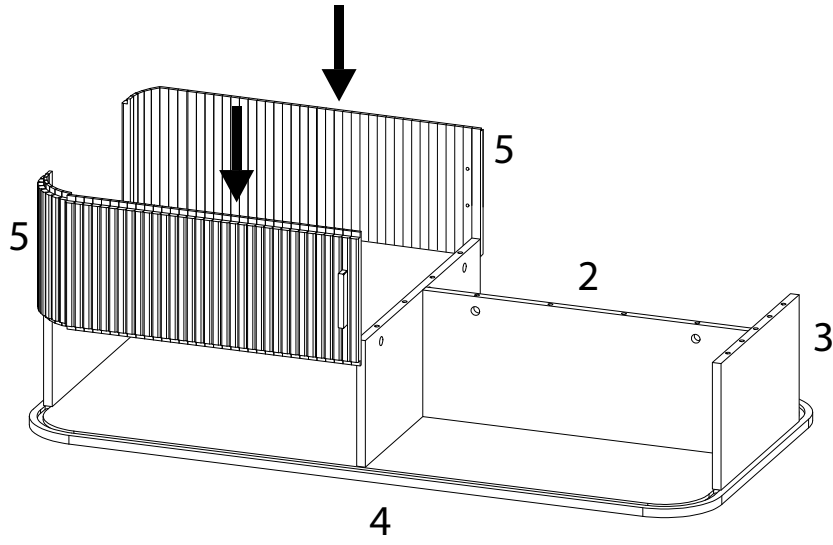
3



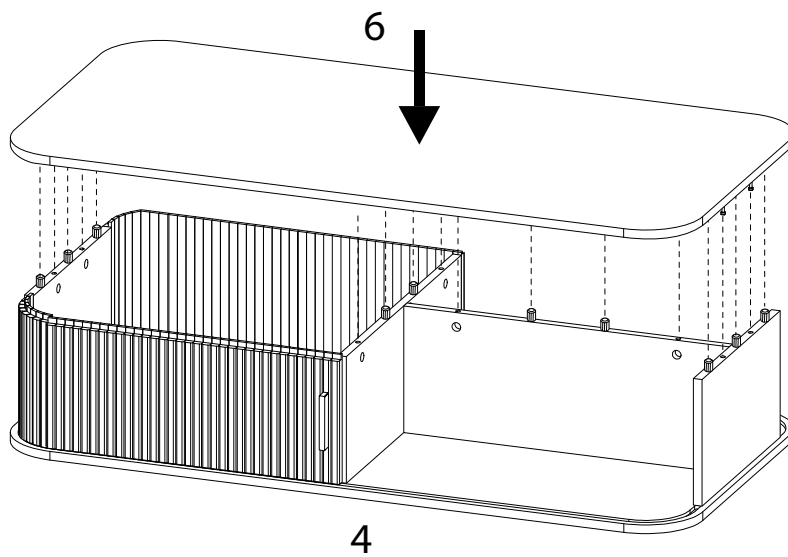
4 x 2



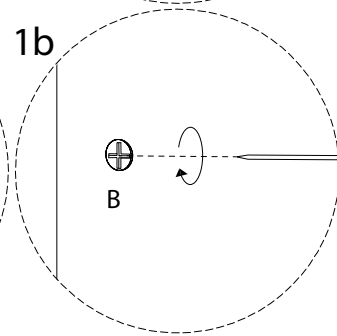
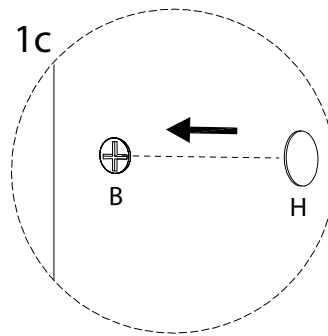
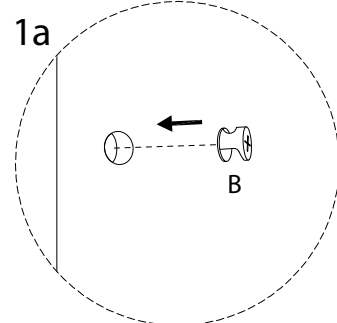
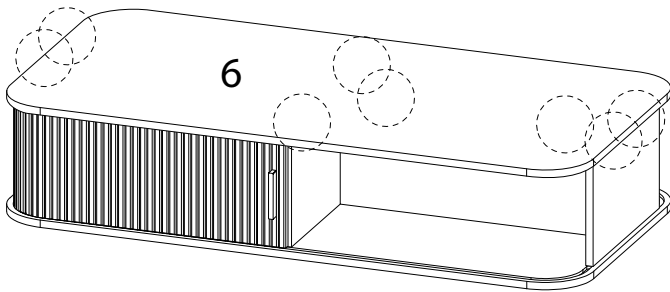
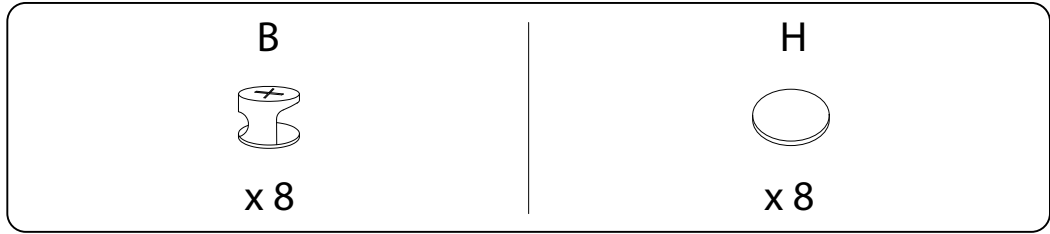
5



6



7



8

