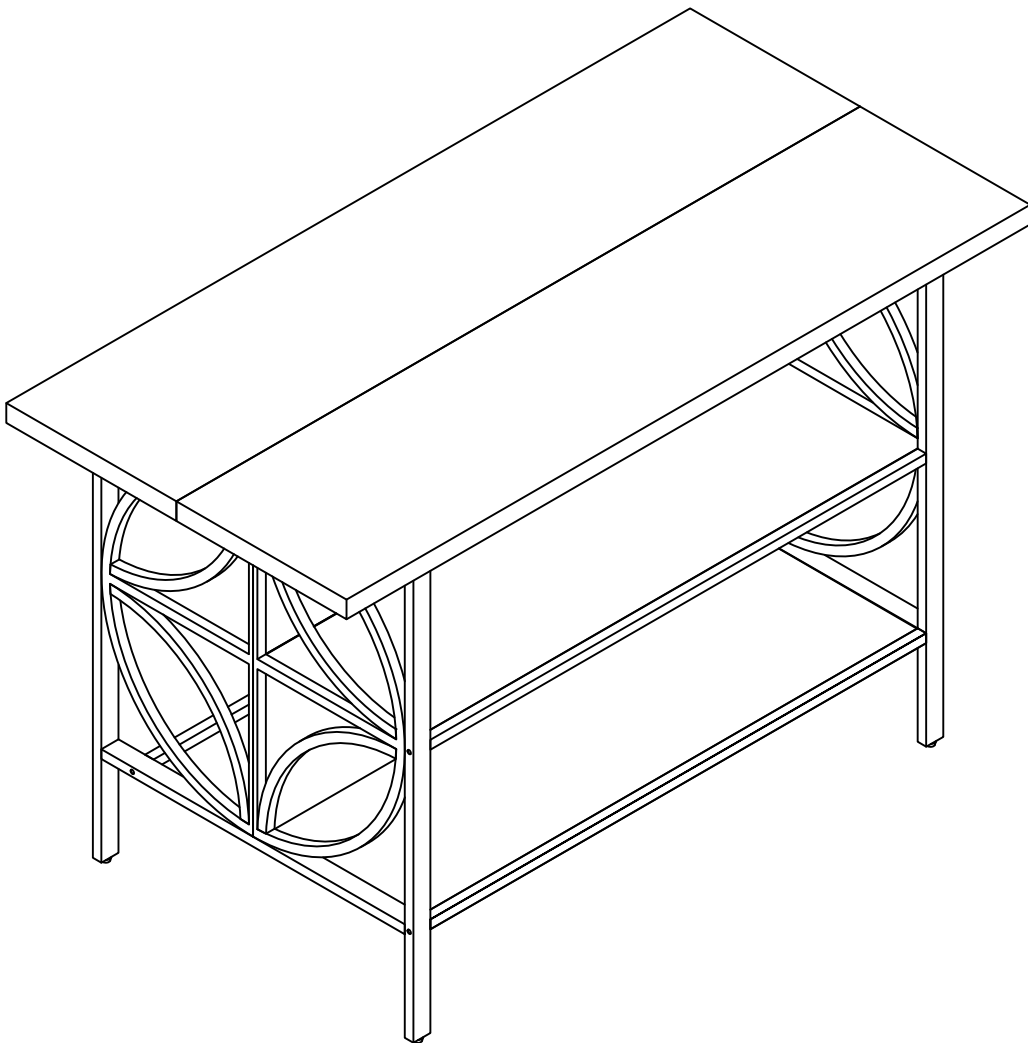


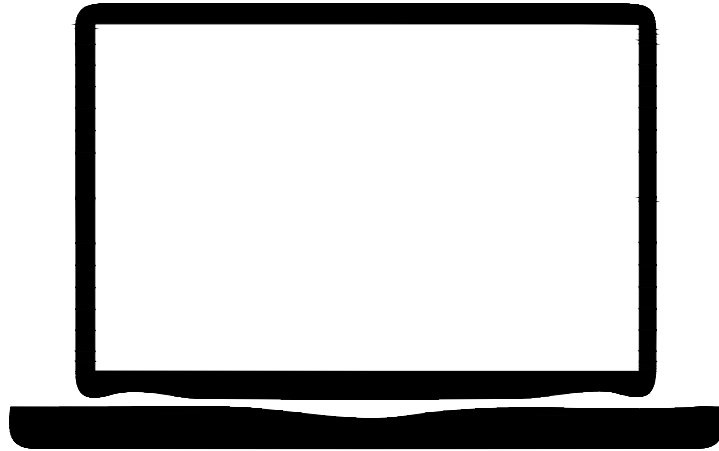
Assembly Instructions



Bar Table

Contact Us

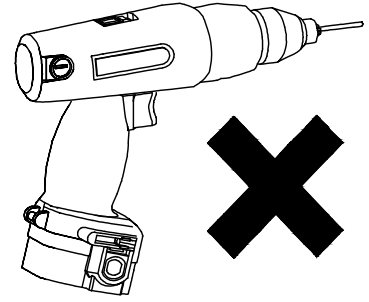
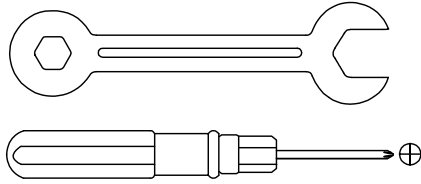
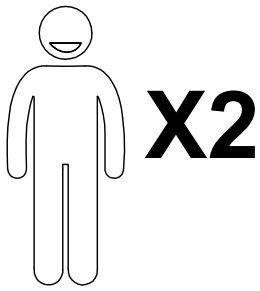
We're here to help you.



Your satisfaction is our top priority. If you encounter any issues with this product, such as missing or damaged parts, we're here to help. Please retain the original packaging and take photos of the packaging and the product, then contact us as soon as possible.

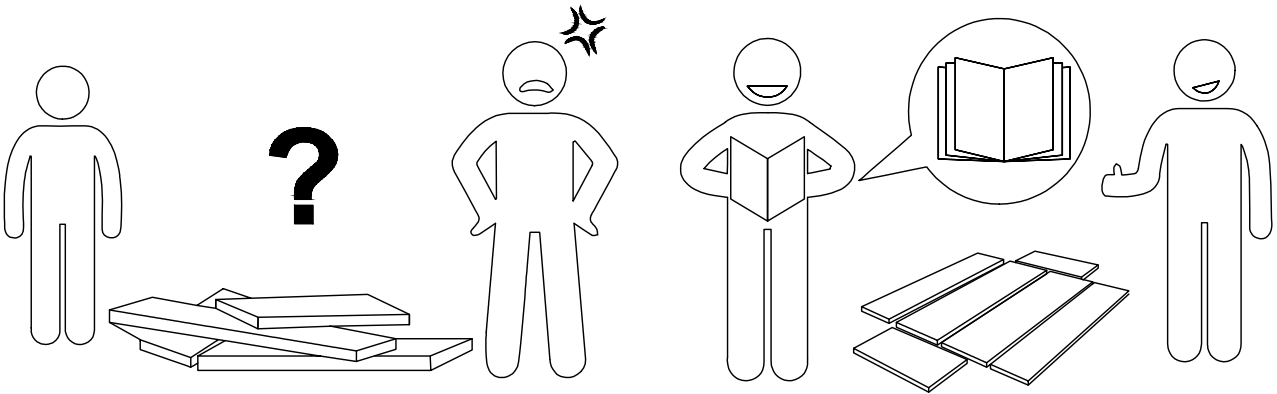
Warm Tips

1. Carefully read these instructions and keep them for future reference.
2. Check the parts list and confirm everything there before starting assembly.
3. When assembling, put all parts on a soft, smooth surface like a carpet to avoid scratches.
4. Don't fully tighten screws until all parts are confirmed in place to avoid misalignment.



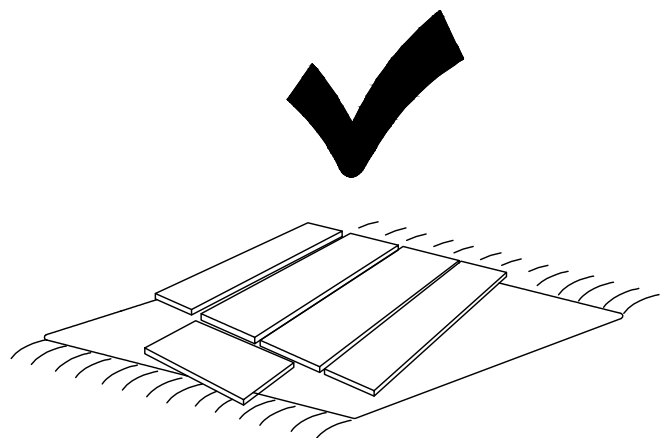
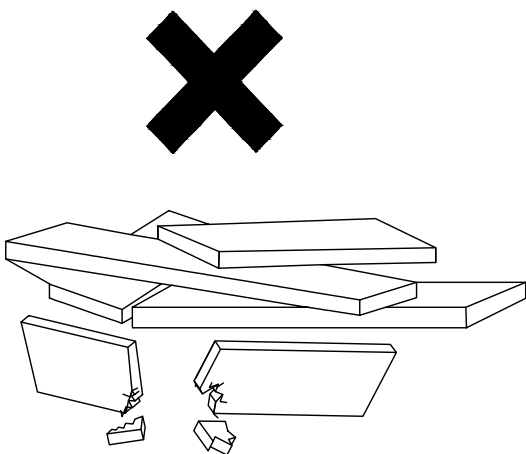
We recommend using hand tools for assembly.

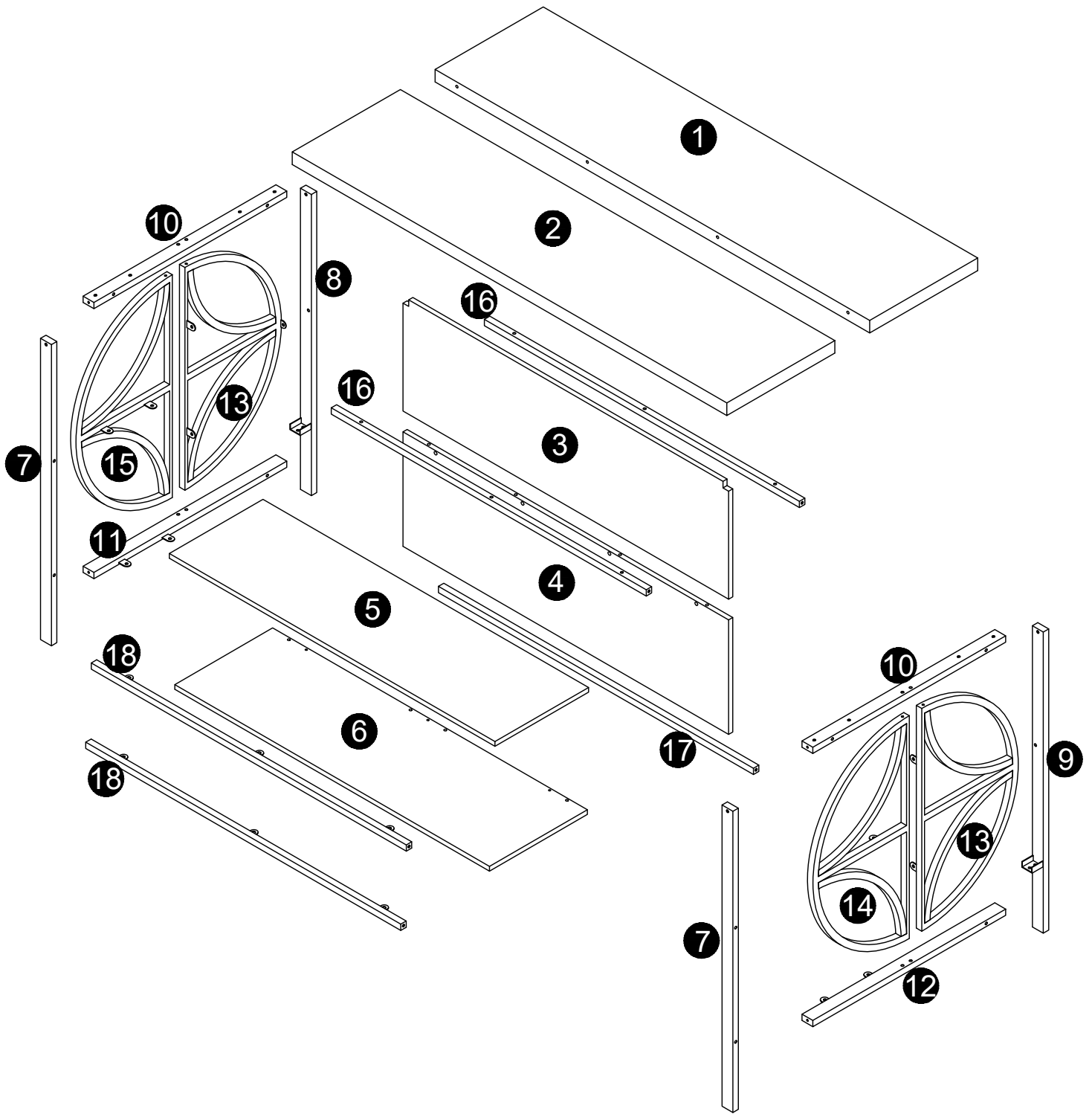
If an electric screwdriver is used, reduce power and torque to avoid damage to the product.



AVOID SCRATCHES

In order to avoid scratching, this furniture should be assembled on a soft surface, such as a rug.

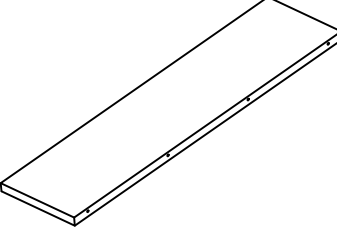
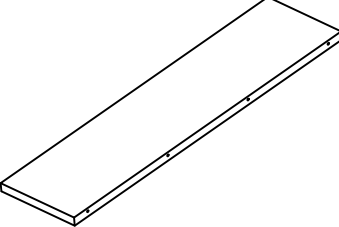
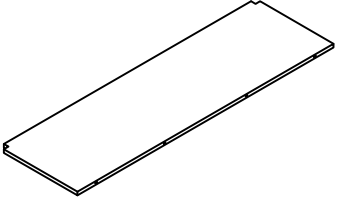
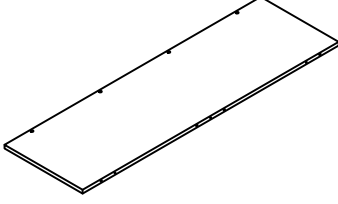
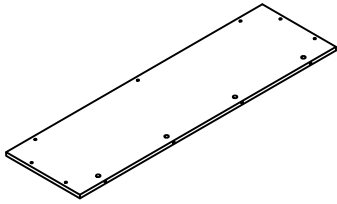
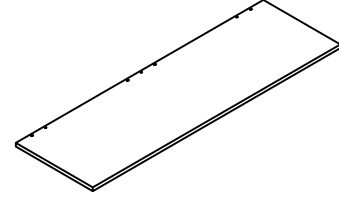
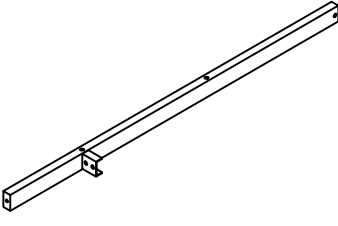
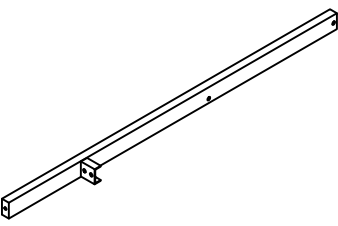
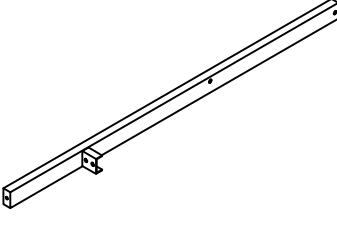
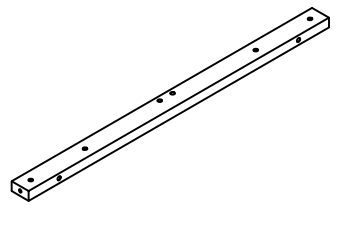
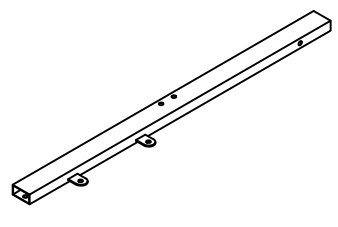
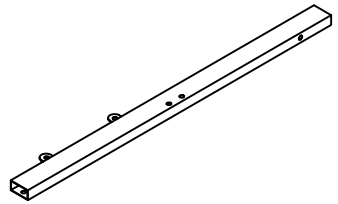
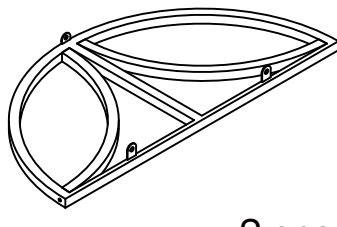
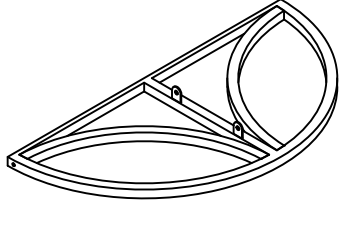
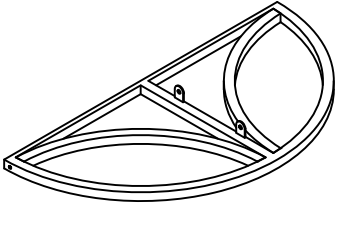
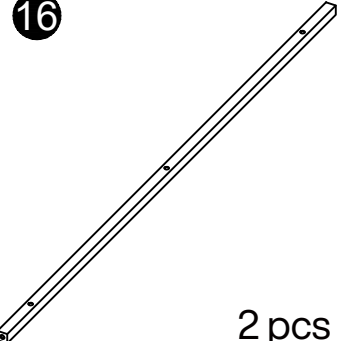
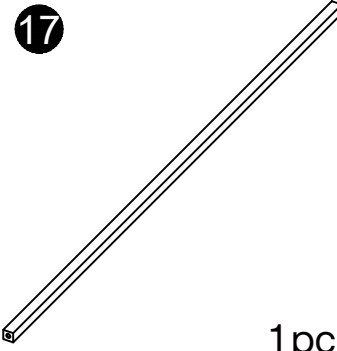
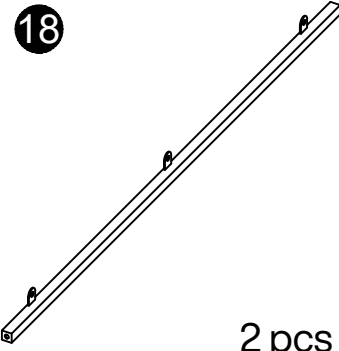




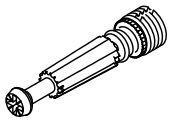
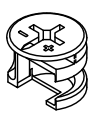
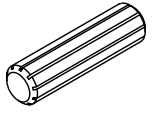
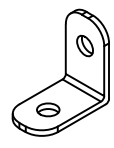
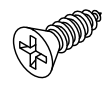
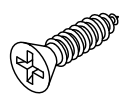
⚠ Caution

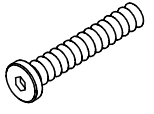
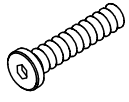
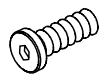
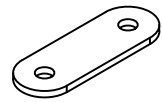
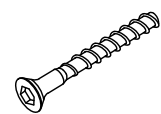
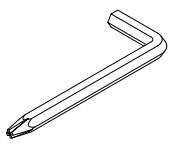
Make sure all parts are included. Most board parts are labeled or stamped on the raw edge. Contact us for a free replacement if you encounter any damaged or missing parts.

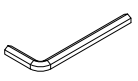
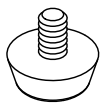
Parts List

<p>1</p>  <p>1pc</p>	<p>2</p>  <p>1pc</p>	<p>3</p>  <p>1pc</p>	<p>4</p>  <p>1pc</p>
<p>5</p>  <p>1pc</p>	<p>6</p>  <p>1pc</p>	<p>7</p>  <p>2 pcs</p>	<p>8</p>  <p>1pc</p>
<p>9</p>  <p>1pc</p>	<p>10</p>  <p>2 pcs</p>	<p>11</p>  <p>1pc</p>	<p>12</p>  <p>1pc</p>
<p>13</p>  <p>2 pcs</p>	<p>14</p>  <p>1pc</p>	<p>15</p>  <p>1pc</p>	<p>16</p>  <p>2 pcs</p>
<p>17</p>  <p>1pc</p>	<p>18</p>  <p>2 pcs</p>		

Hardware List

A	B	C	D	E	F
					
Ø6x40mm	Ø15x12mm	Ø8x30mm	20x20x13	3.5x14mm	4x18mm
4 pcs	4 pcs	12 pcs	2 pcs	4 pcs	4 pcs

G	H	I	J	K	L
					
M6x50mm	M6x35mm	M6x15mm	46x16x2mm	Ø5x40mm	M4
10 pcs	26 pcs	28 pcs	2 pcs	3 pcs	1 pc

M	N				
					
M3	M6x15mm				
1 pc	4 pcs				

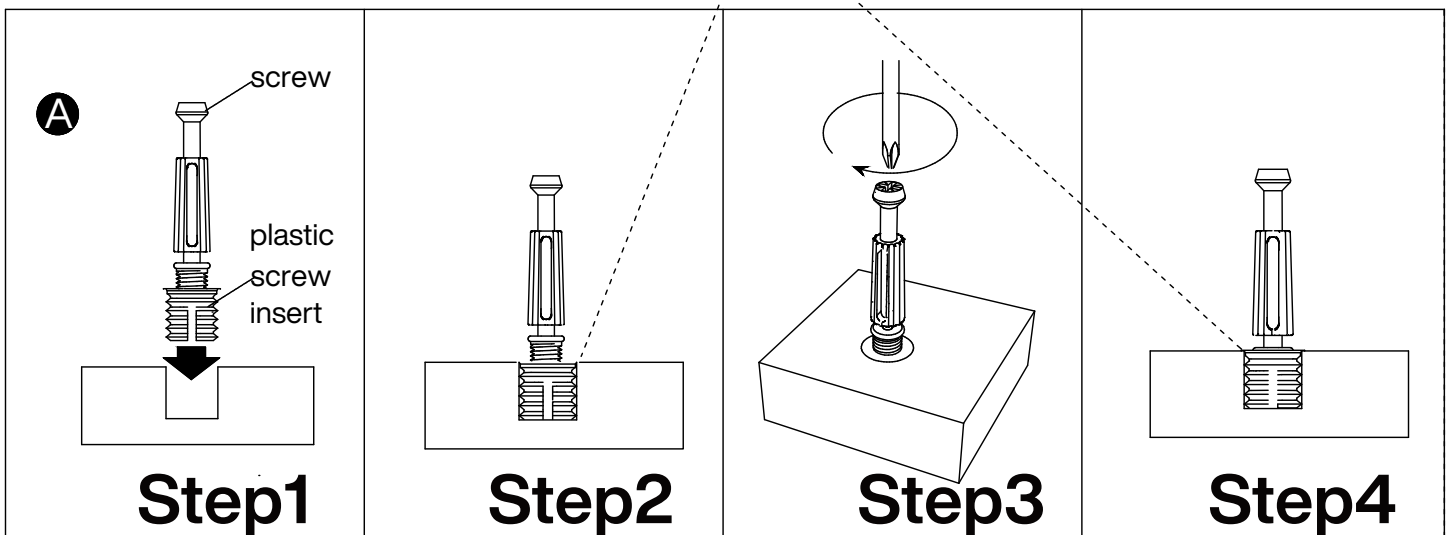
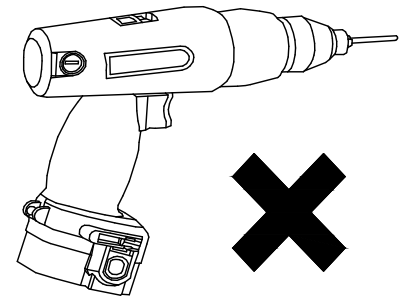
Installation of Cams and Pins

Step 1-2: Align the plastic part with the mounting hole and press it in. If you can't press it in, loosen the screw counter clockwise or completely remove the screw from the plastic part and try again.

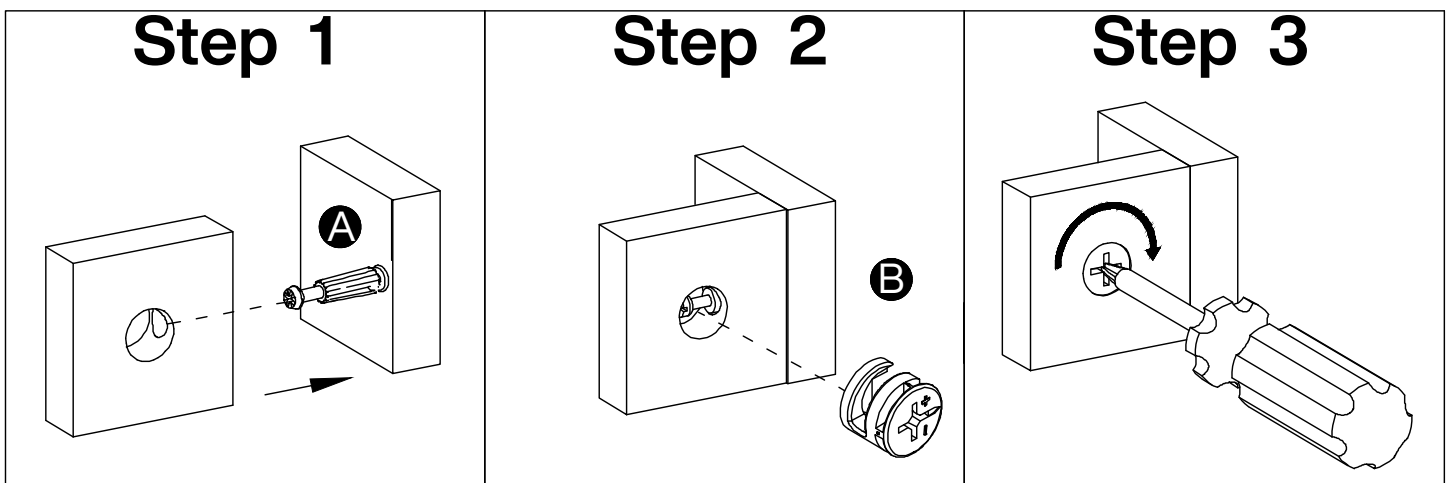
Step 3-4: After pressing the plastic part into place, use a screwdriver to tighten the screw clockwise.



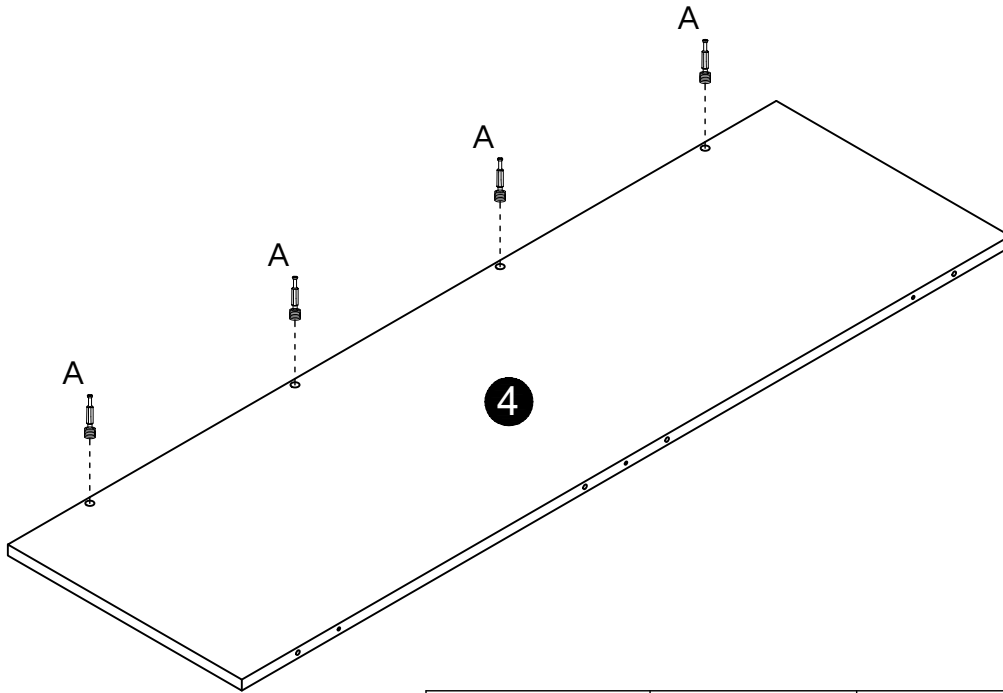
No gap




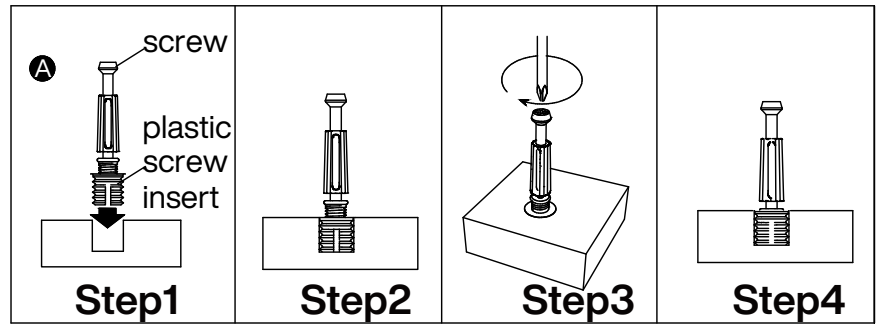
Screw the pin into the hole. Set the cams correctly by aligning the head of the cams with the lock pins. Lock the cam by turning the cam head with a screwdriver until it is tightened. Please do not use an electric screwdriver to assemble the unit.



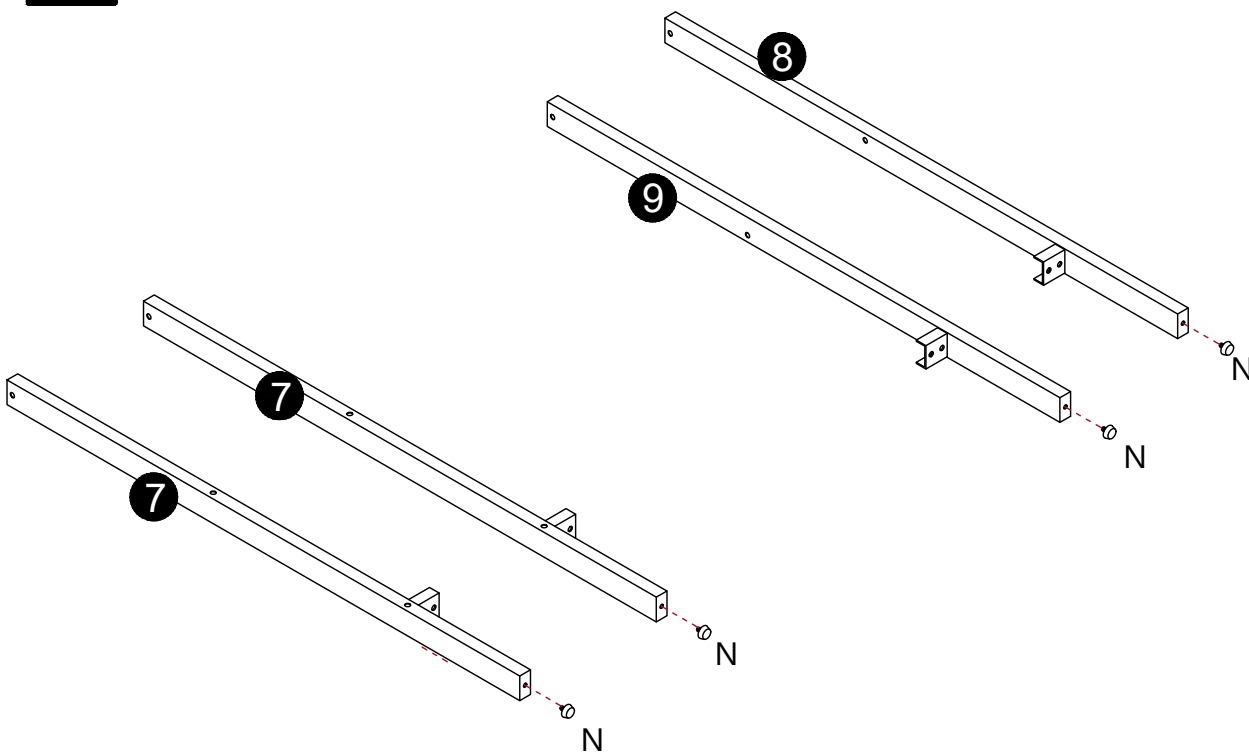
1




A

Ø6x40mm
4 pcs






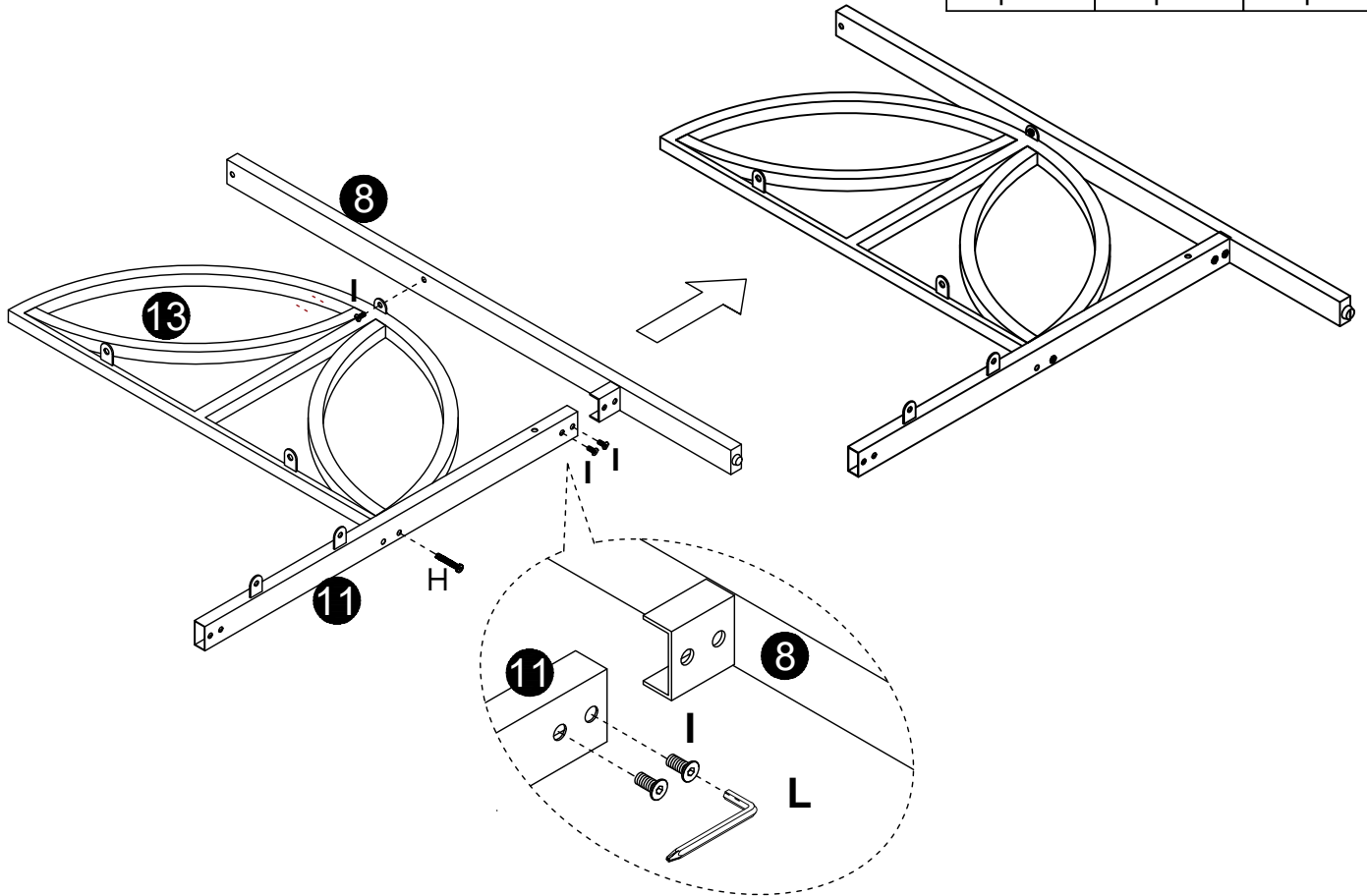
2






N

4 pcs

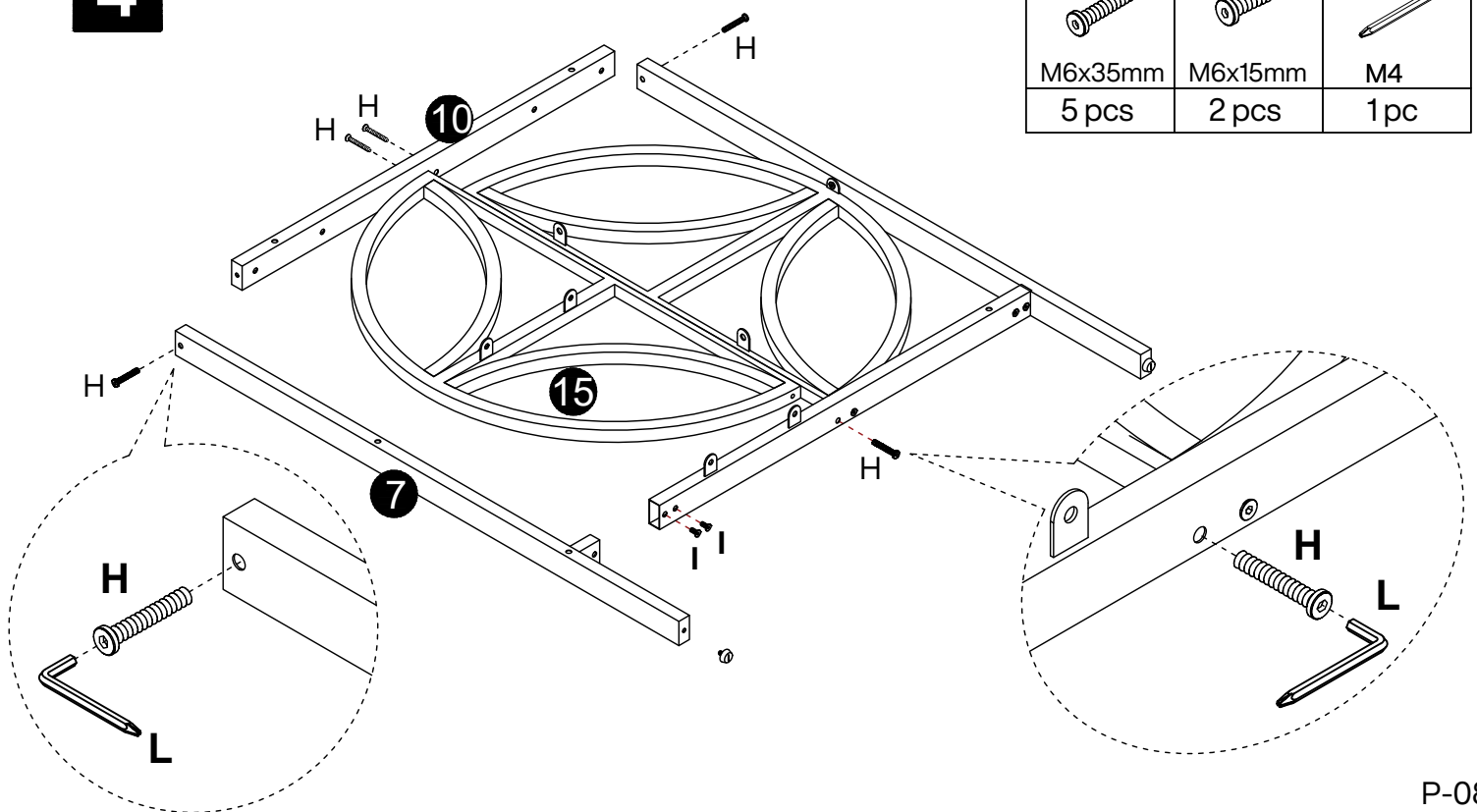
3

H	I	L
		
M6x35mm	M6x15mm	M4
1 pcs	3 pcs	1 pc

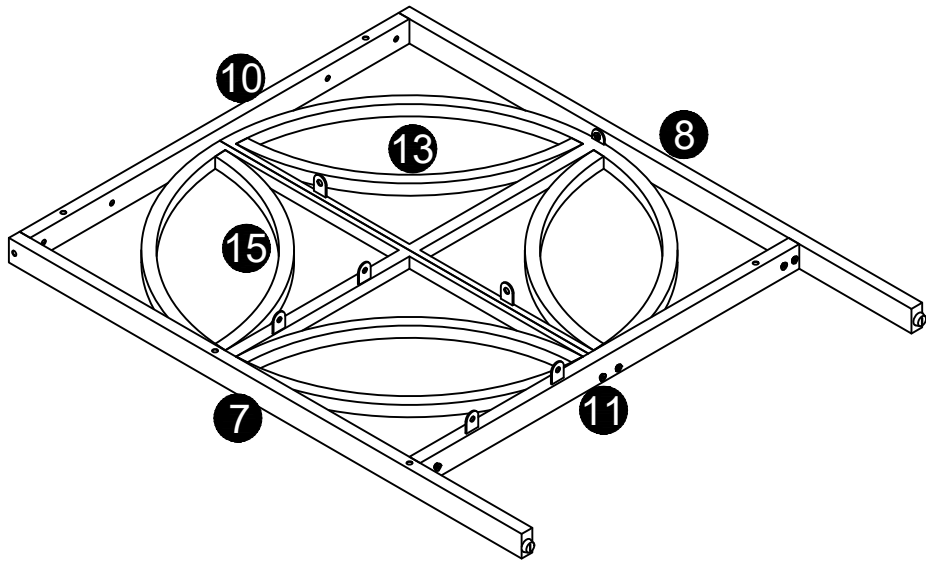


4

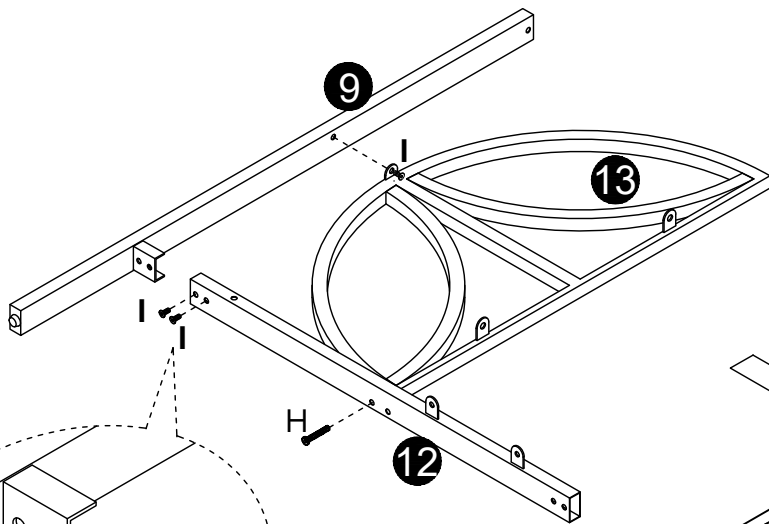
H	I	L
		
M6x35mm	M6x15mm	M4
5 pcs	2 pcs	1 pc






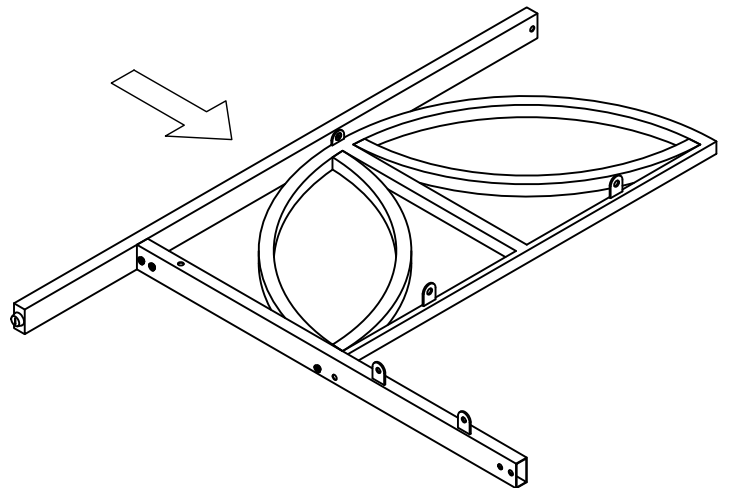
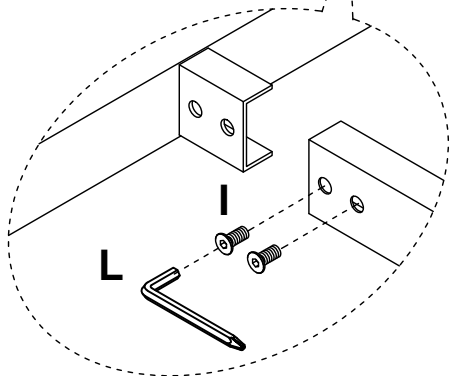
5





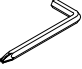
6

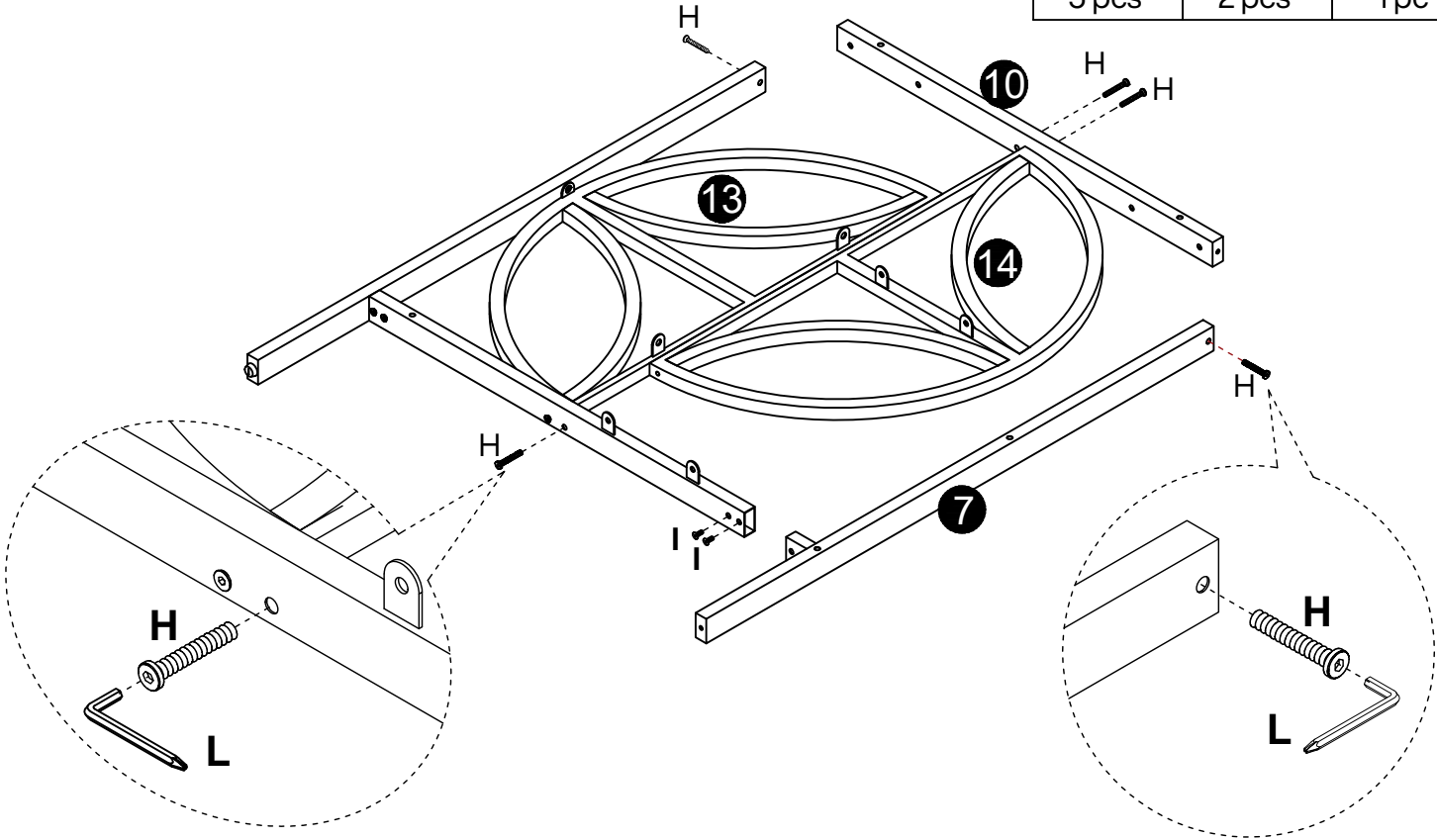


H	I	L
		
M6x35mm	M6x15mm	M4
1 pcs	3 pcs	1 pc

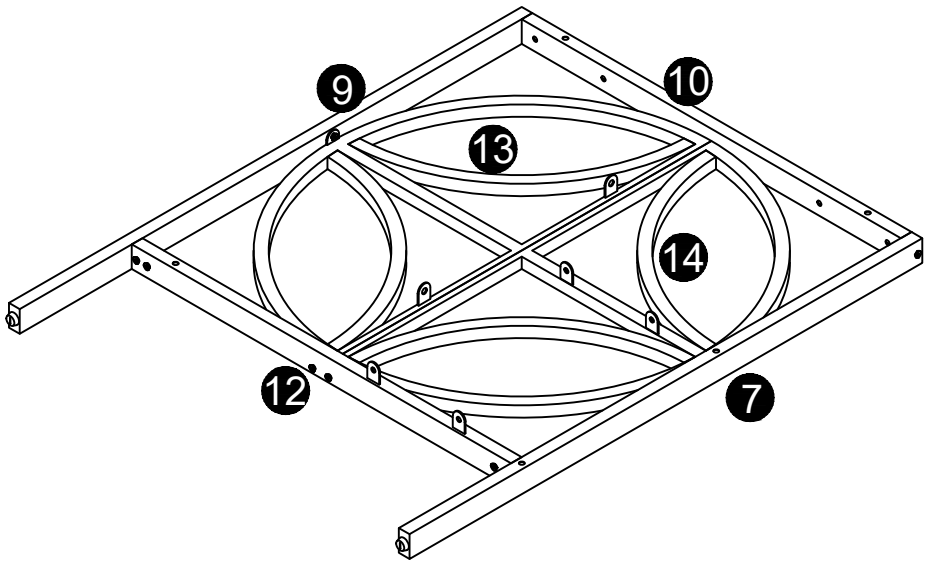


7


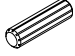


H	I	L
		
M6x35mm	M6x15mm	M4
5 pcs	2 pcs	1 pc

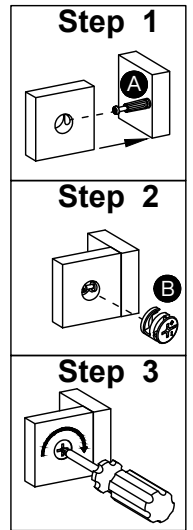
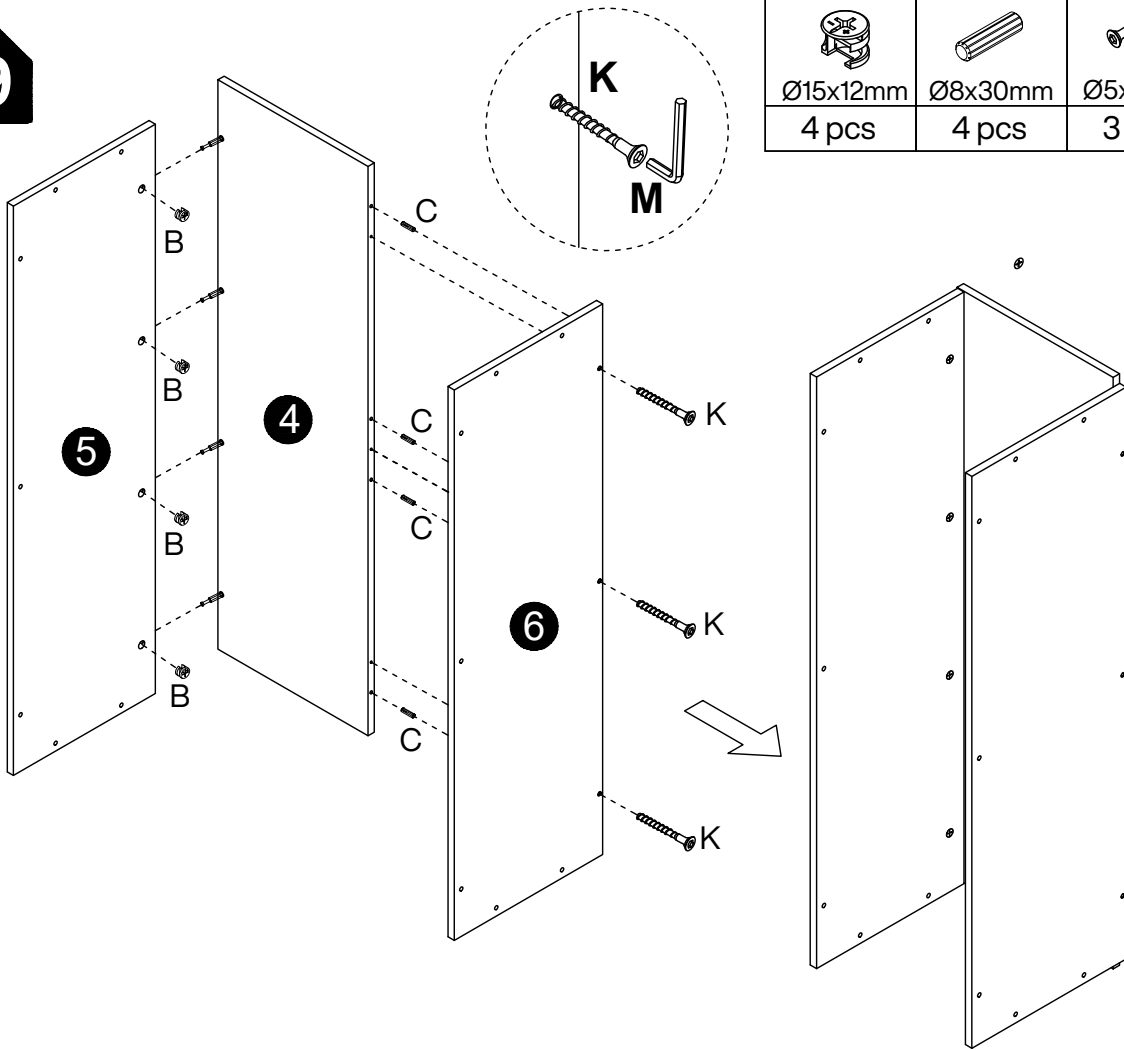


8




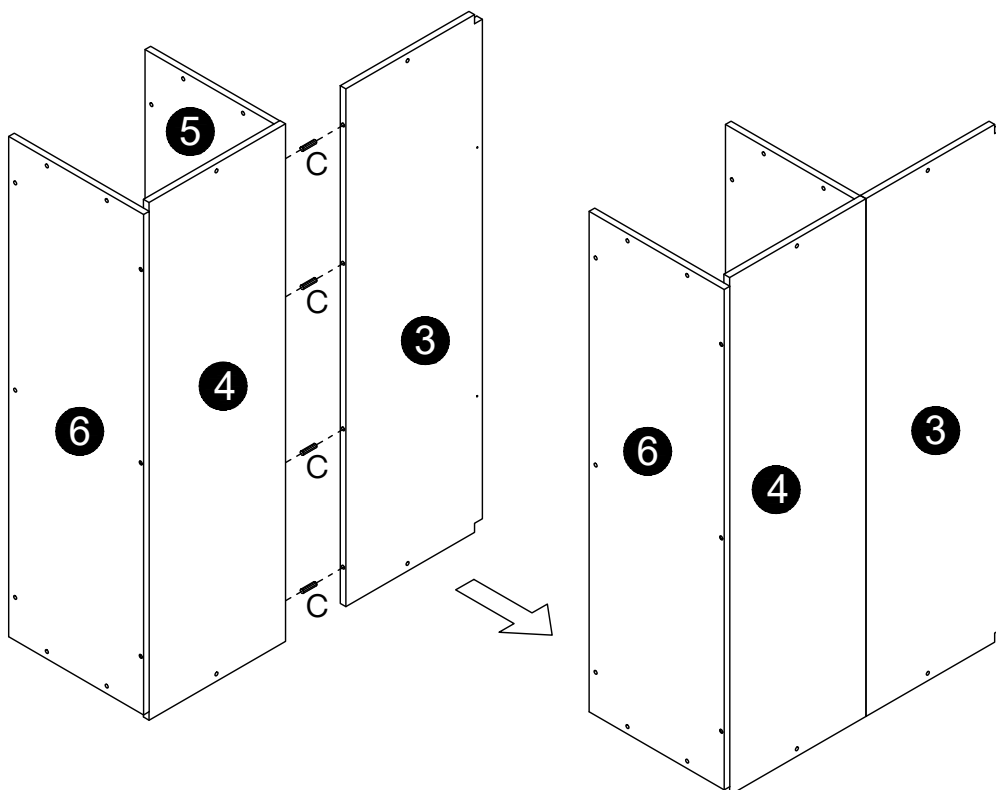
9

B	C	K	M
			
Ø15x12mm	Ø8x30mm	Ø5x40mm	M3
4 pcs	4 pcs	3 pcs	1 pc

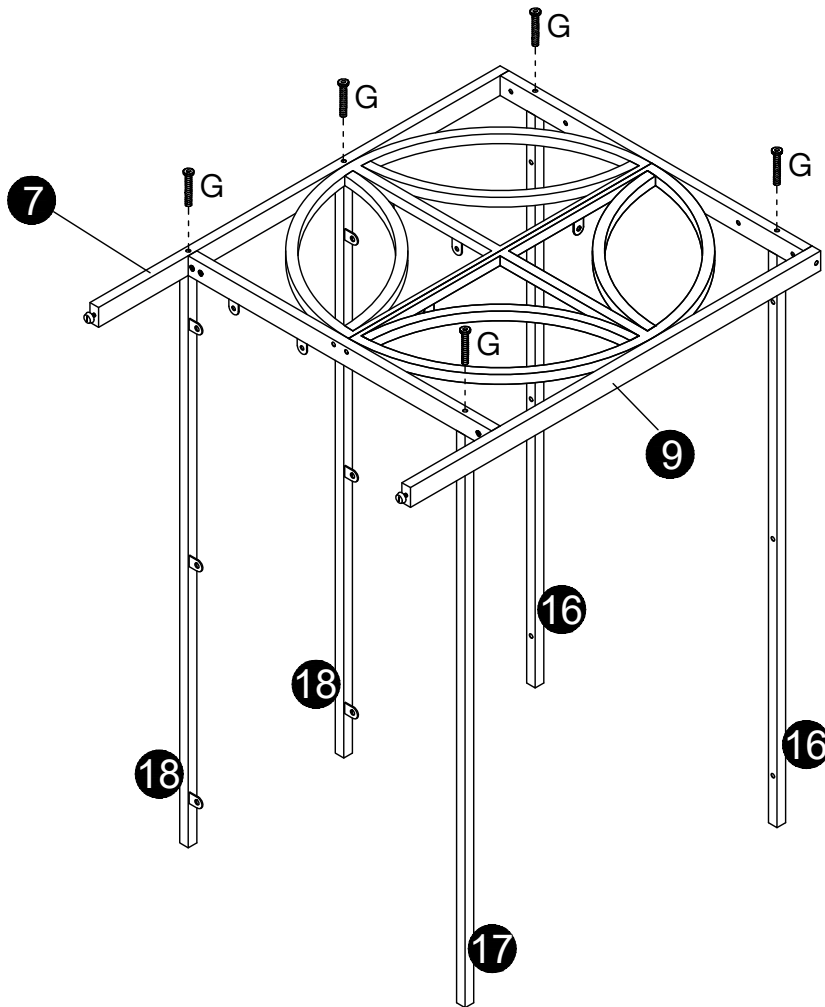



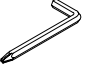
10

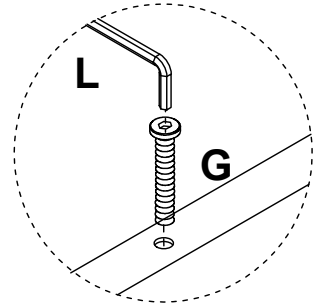
C

Ø8x30mm
4 pcs



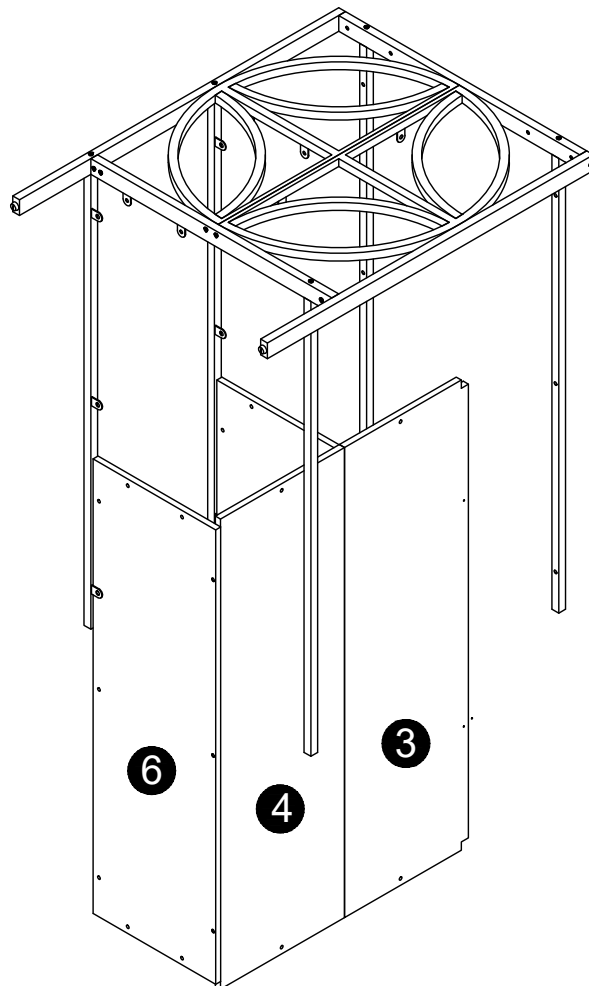
11



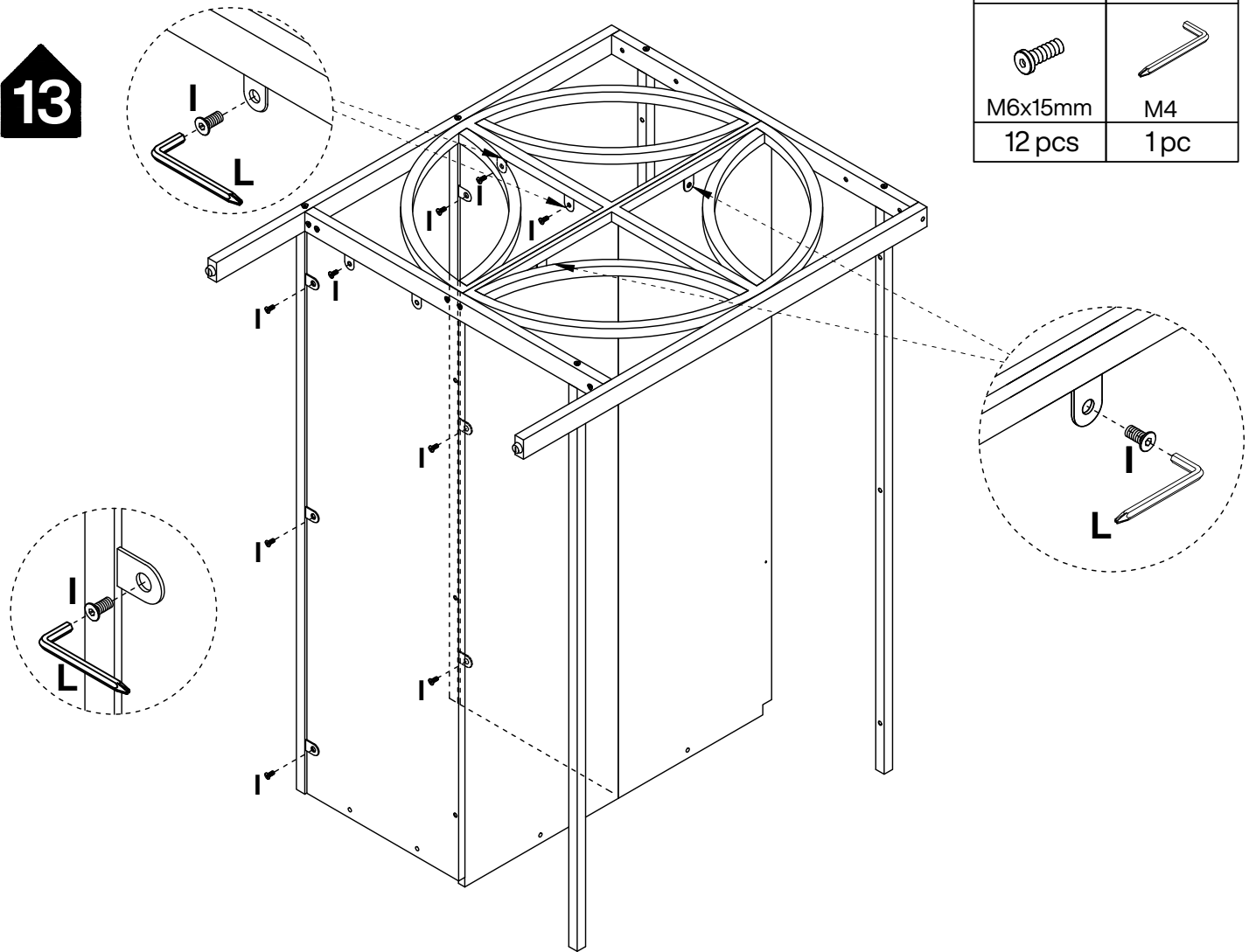
G	L
	
M6x50mm	M4
5 pcs	1 pc



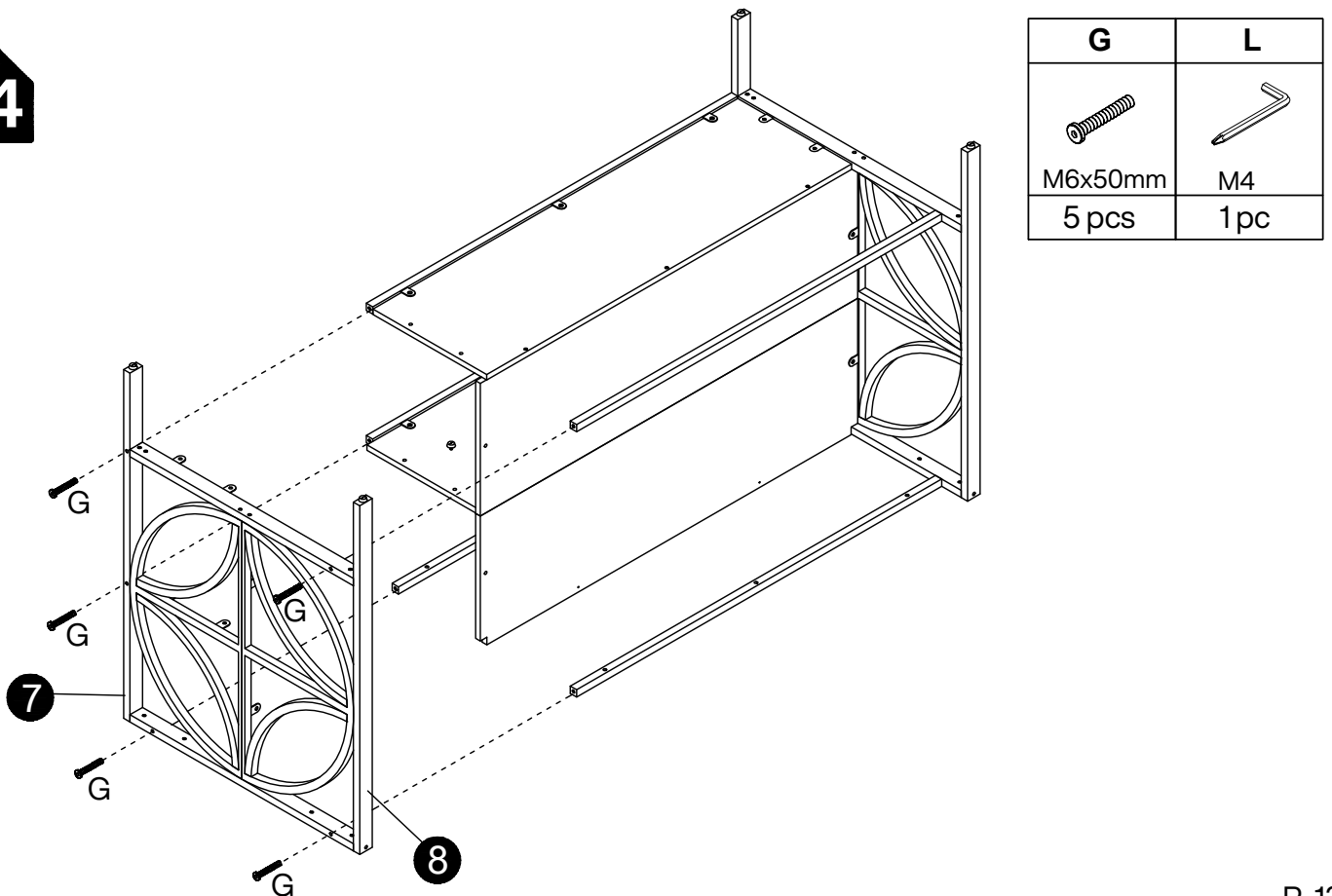
12



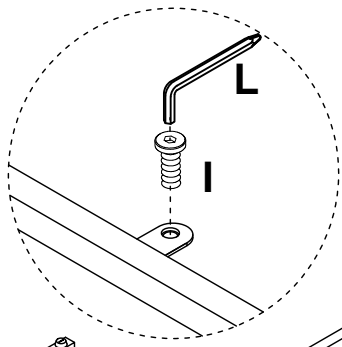
13





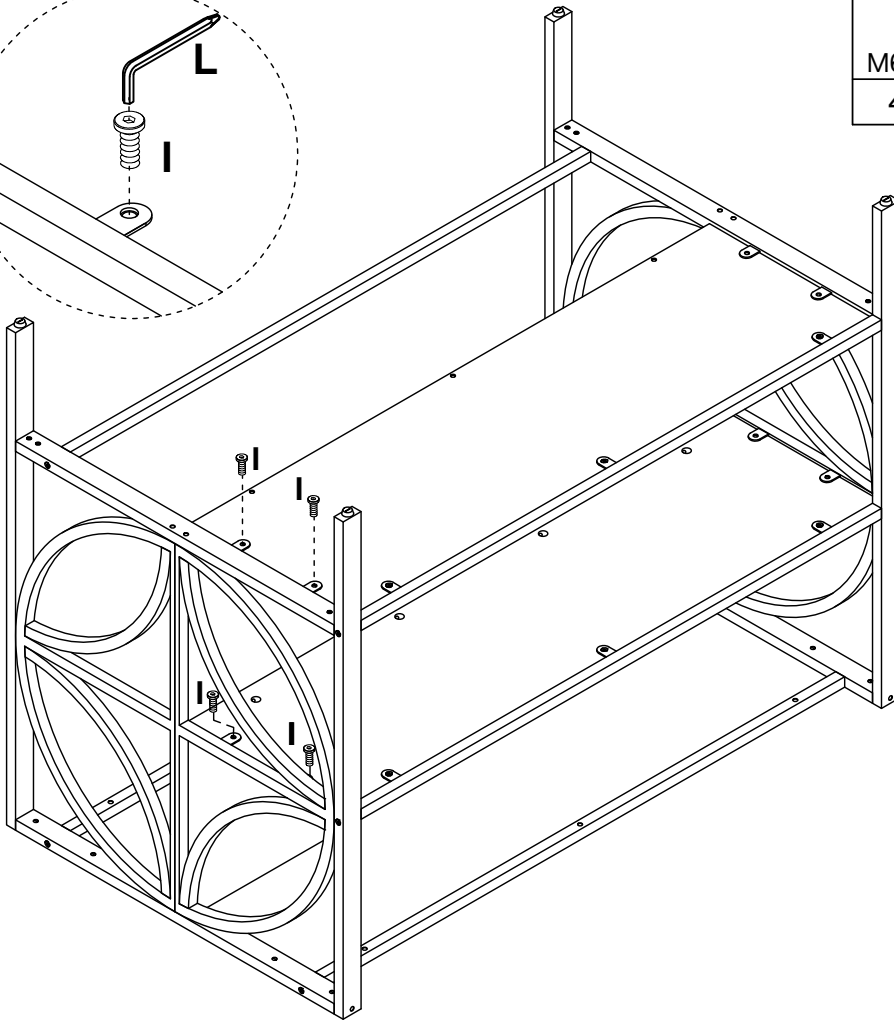
14



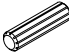


15

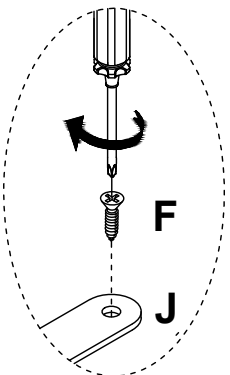
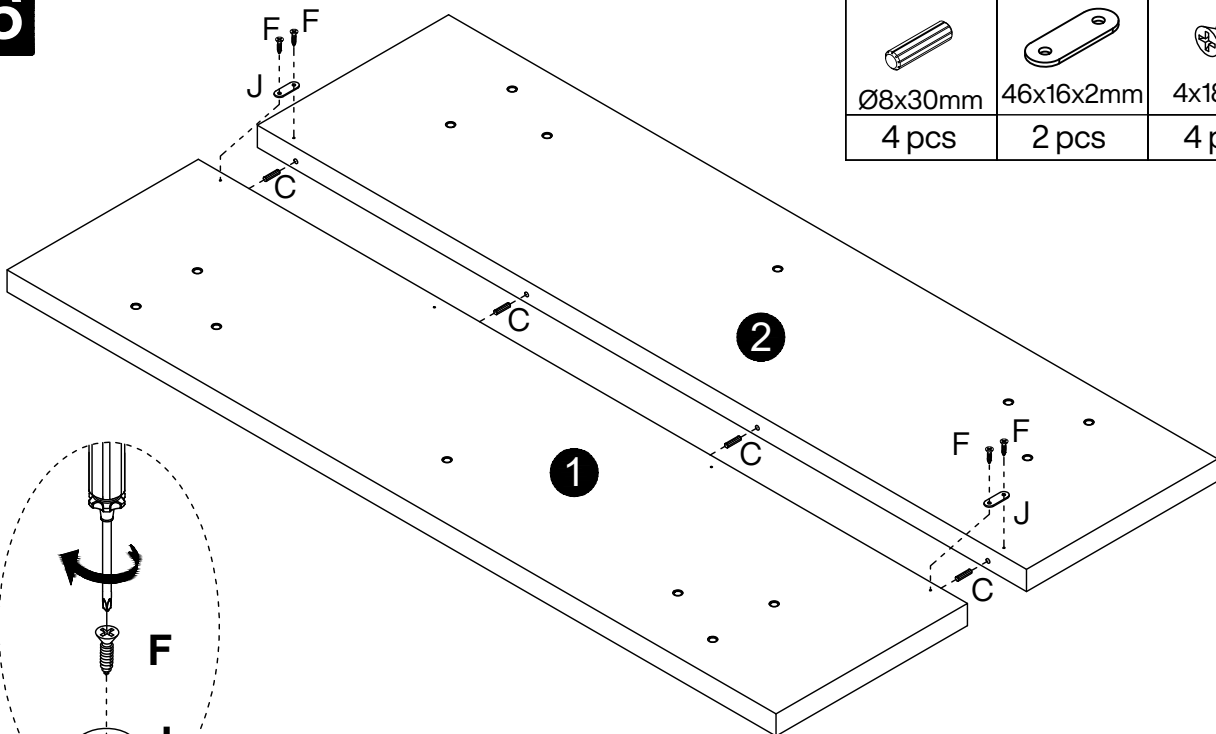


I	L
	
M6x15mm	M4
4 pcs	1 pc







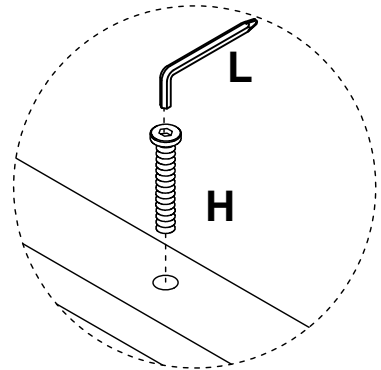
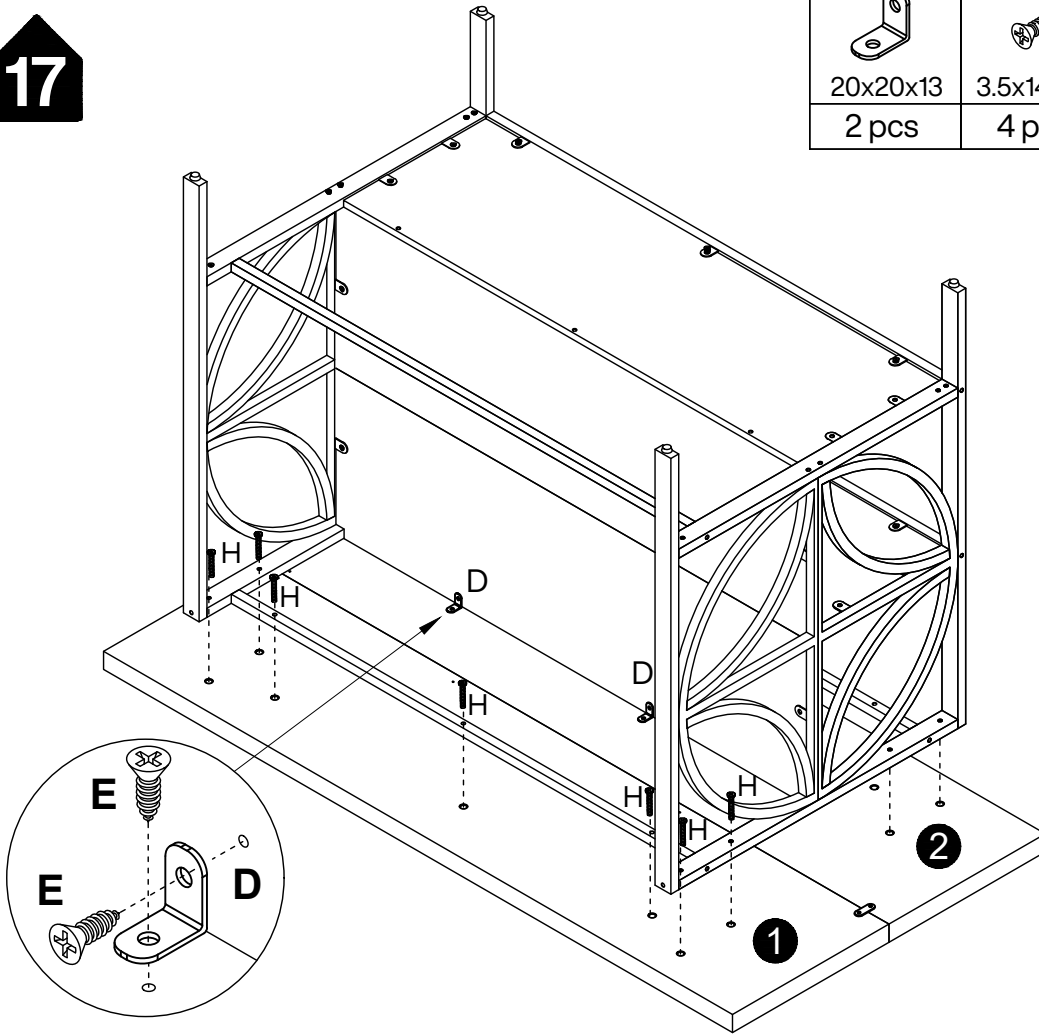
16

C	J	F
		
Ø8x30mm	46x16x2mm	4x18mm
4 pcs	2 pcs	4 pcs





17

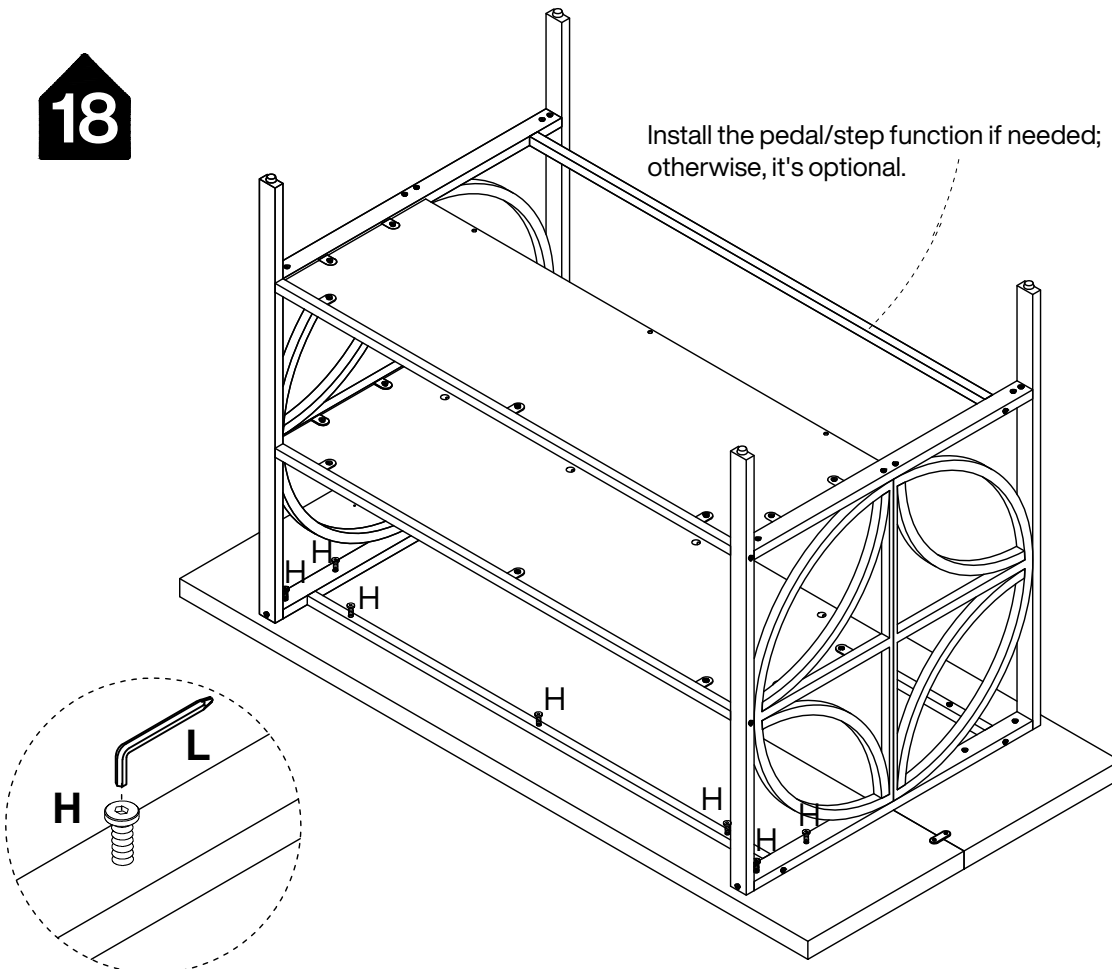
D	E	H	L
			
20x20x13	3.5x14mm	M6x35mm	M4
2 pcs	4 pcs	7 pcs	1 pc



18

Install the pedal/step function if needed; otherwise, it's optional.

H	L
	
M6x35mm	M4
7 pcs	1 pc



Thank you for your support!

