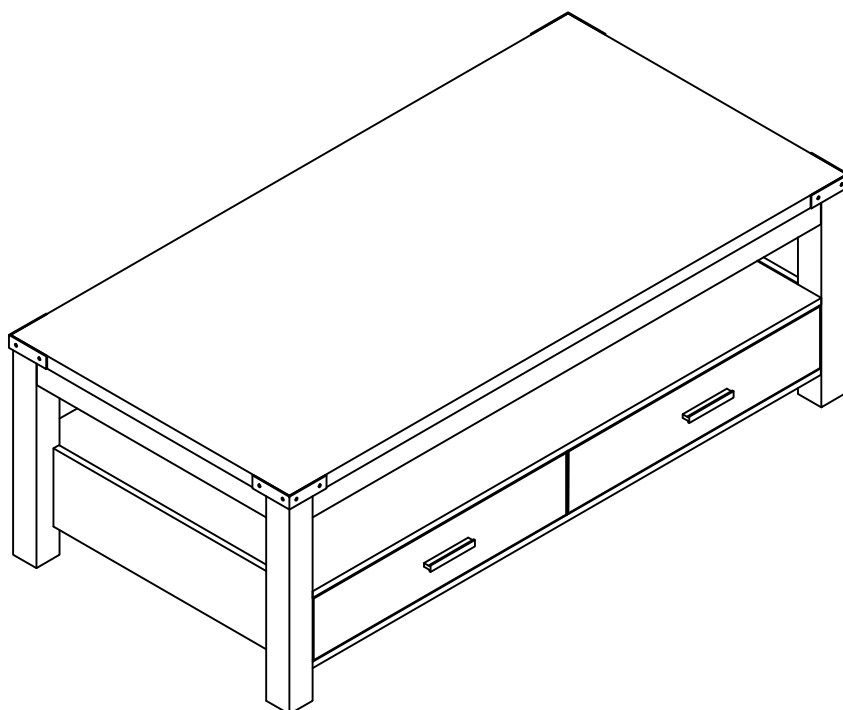
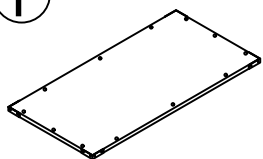


# ASSEMBLY INSTRUCTION FOR GMT003D P1

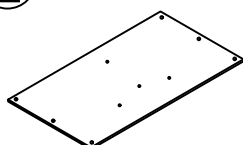


①



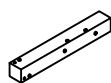
1PCS

②



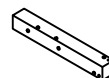
1PCS

③



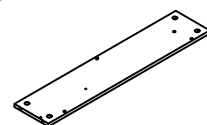
2PCS

④



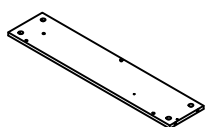
2PCS

⑤



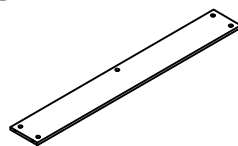
1PCS

⑥



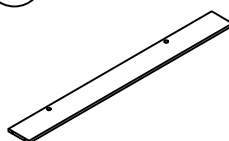
1PCS

⑦



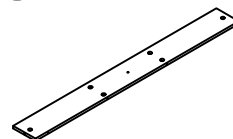
1PCS

⑧



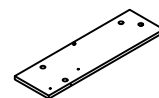
1PCS

⑨



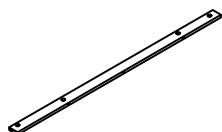
1PCS

⑩



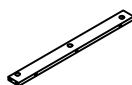
1PCS

⑪



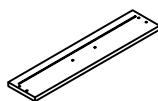
2PCS

⑫



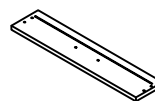
2PCS

⑬



1PCS

⑭



1PCS

⑮



2PCS

⑯



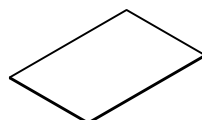
2PCS

⑰



2PCS

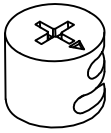
⑱



2PCS

# ASSEMBLY INSTRUCTION FOR GMT003D P2

**A**



62PCS

**B**



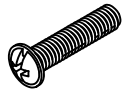
8x30mm  
14PCS

**C**



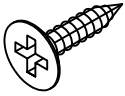
62PCS

**D**



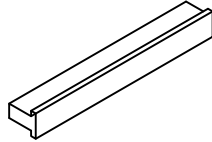
4x18mm  
4PCS

**E**



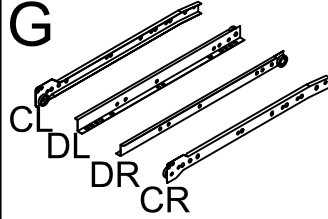
3.5x14mm  
16PCS

**F**



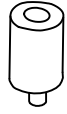
2PCS

**G**

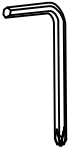


2PCS

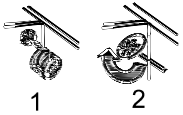
**H**



1PCS



**Step1**



1

2

**A**



6PCS

**B**



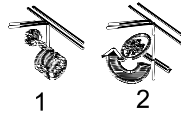
4PCS

**C**



16PCS

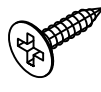
**Step2**



1

2

**E**

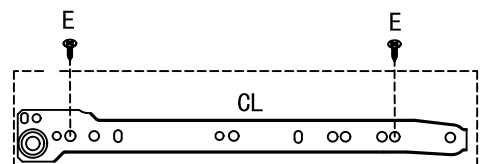
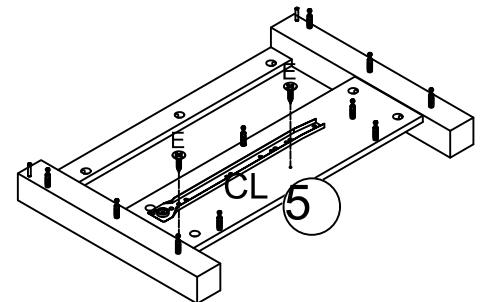
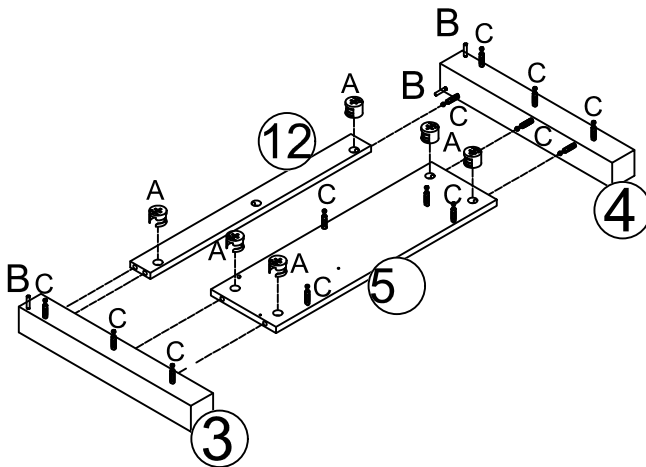


2PCS

**G**

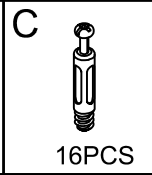
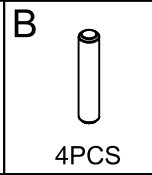
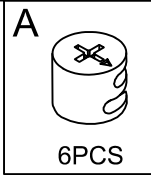
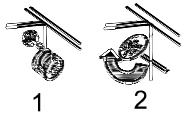


1PCS

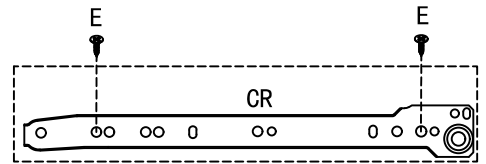
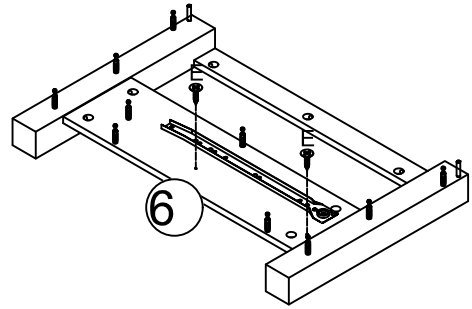
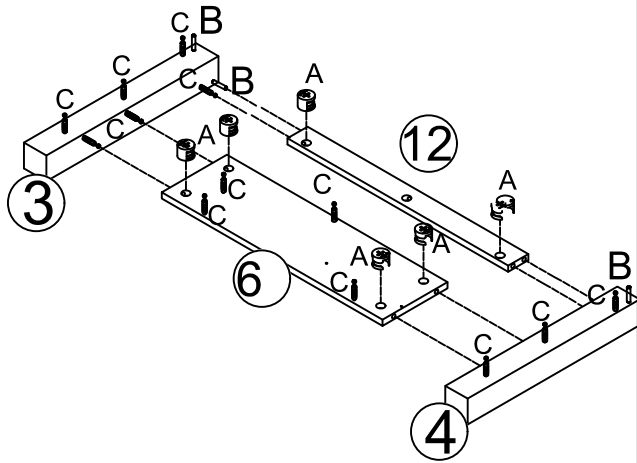
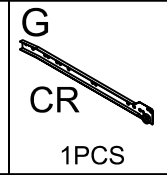
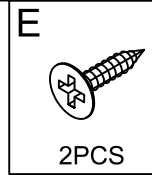
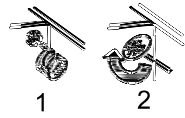


# ASSEMBLY INSTRUCTION FOR GMT003D P3

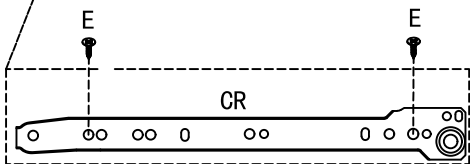
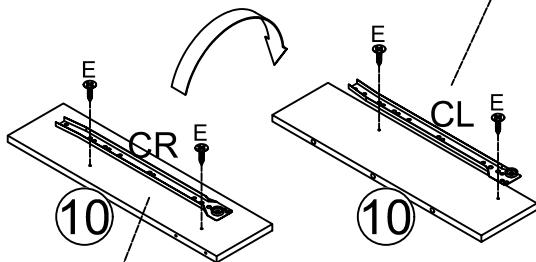
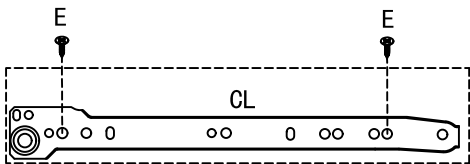
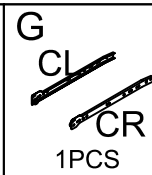
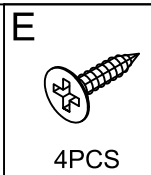
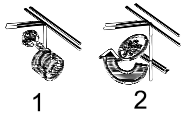
## Step3



## Step4

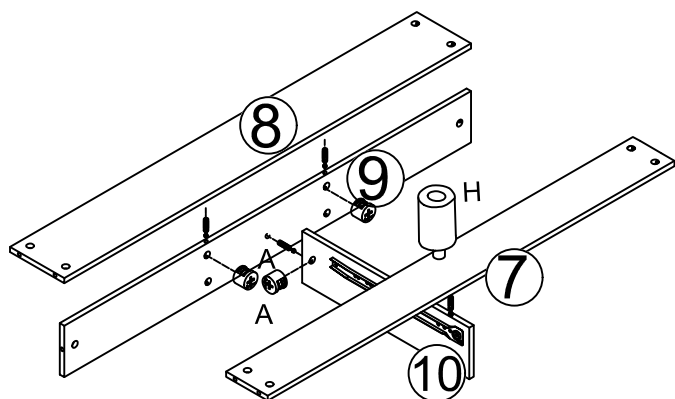
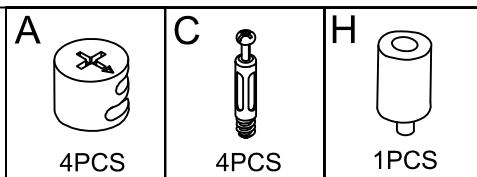


## Step5

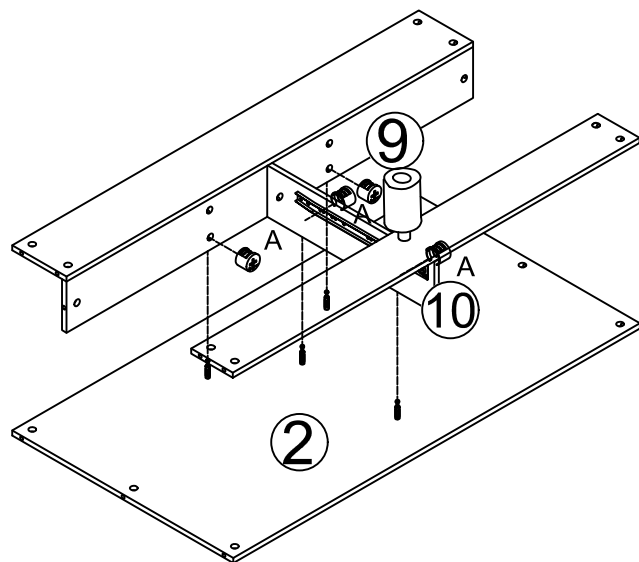
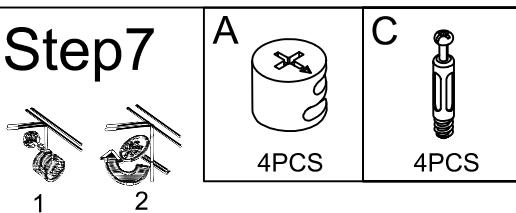


# ASSEMBLY INSTRUCTION FOR GMT003D P4

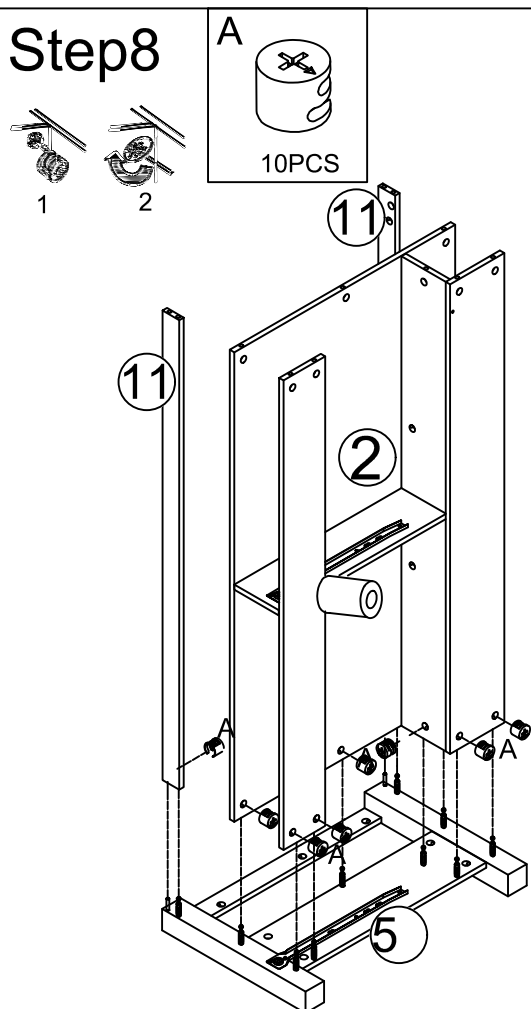
## Step6



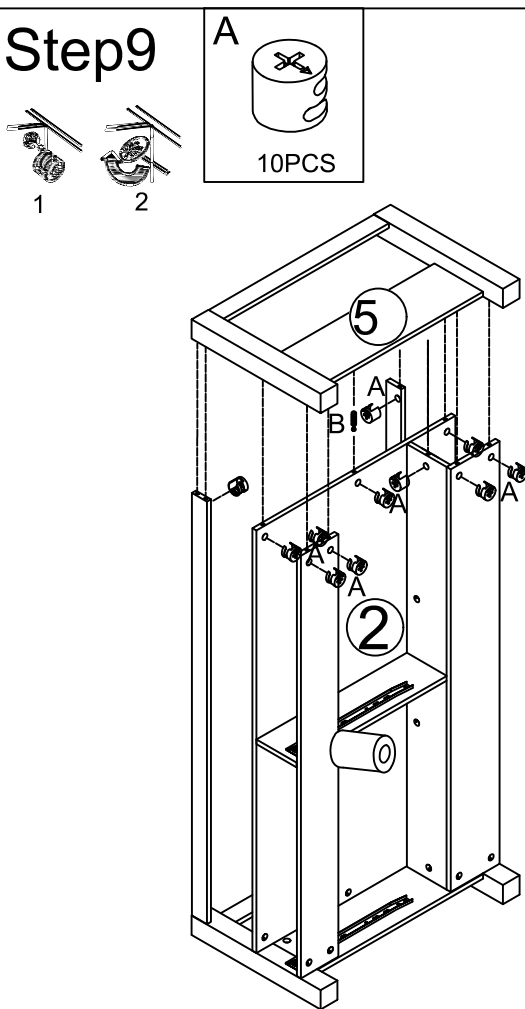
## Step7



## Step8

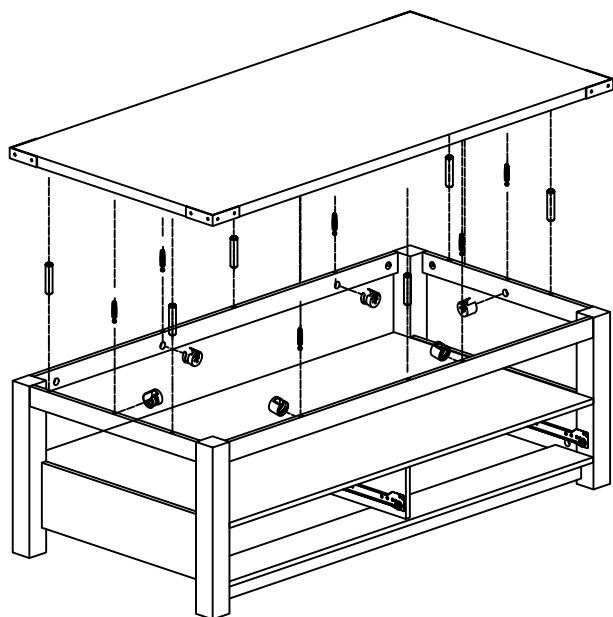
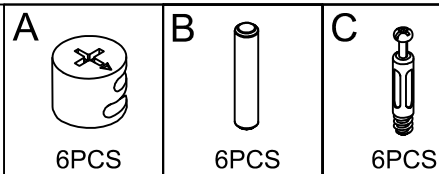
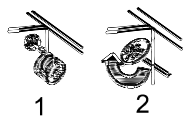


## Step9

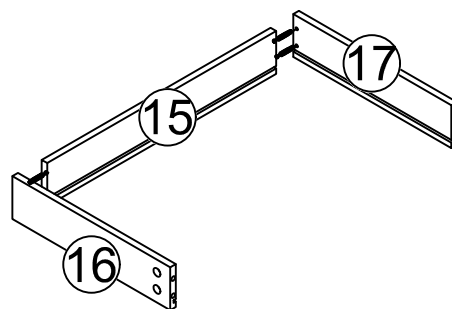
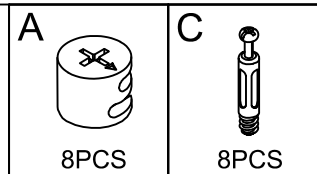


# ASSEMBLY INSTRUCTION FOR GMT003D P5

## Step 10

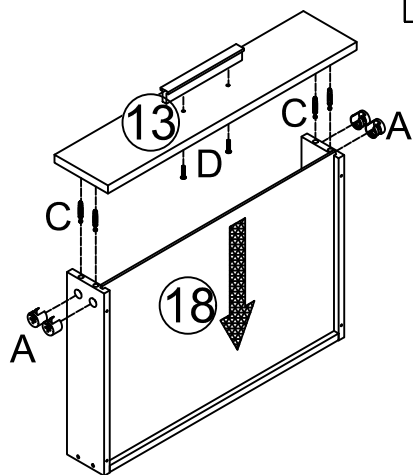
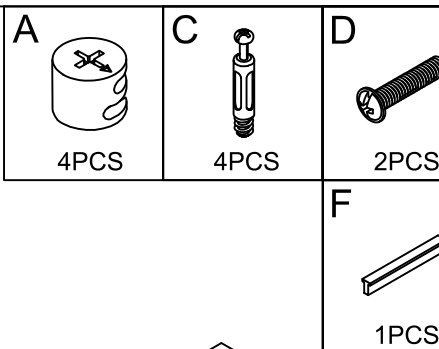
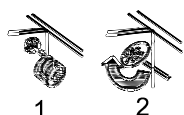


## Step 11

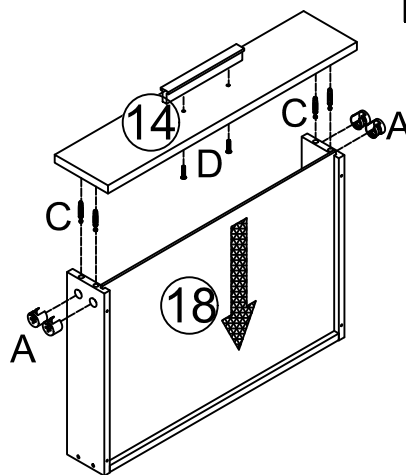
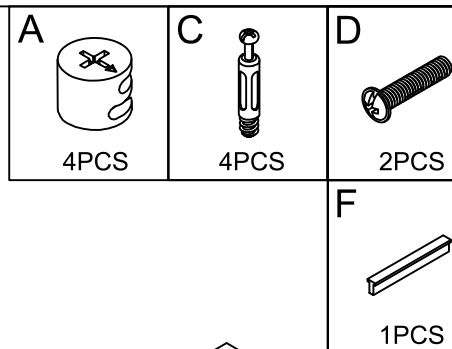
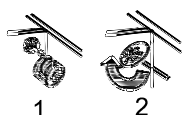


x2

## Step 12

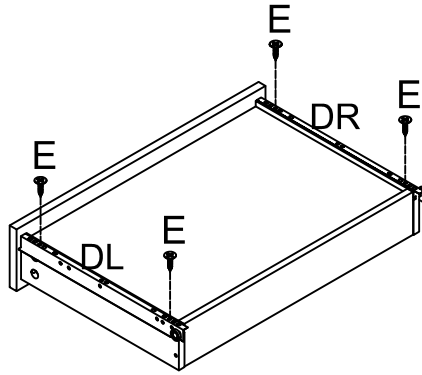
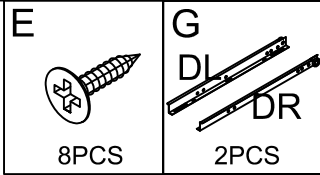


## Step 13



# ASSEMBLY INSTRUCTION FOR GMT003D P6

Step14



x2

Step15

