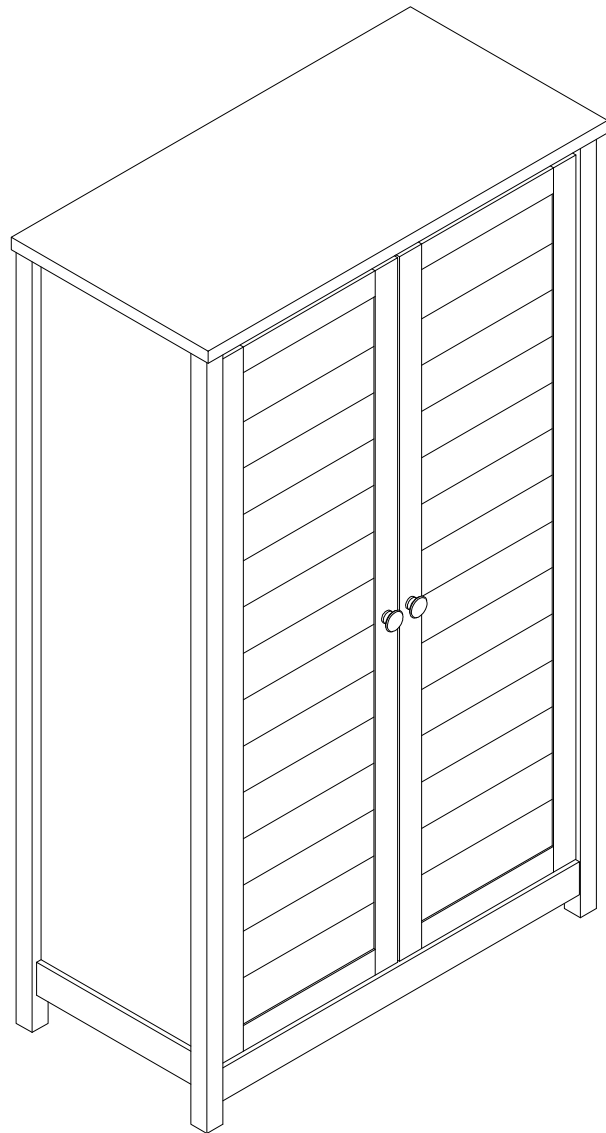
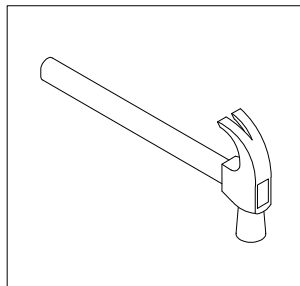
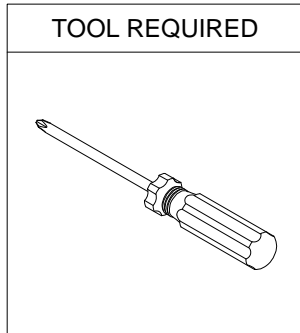
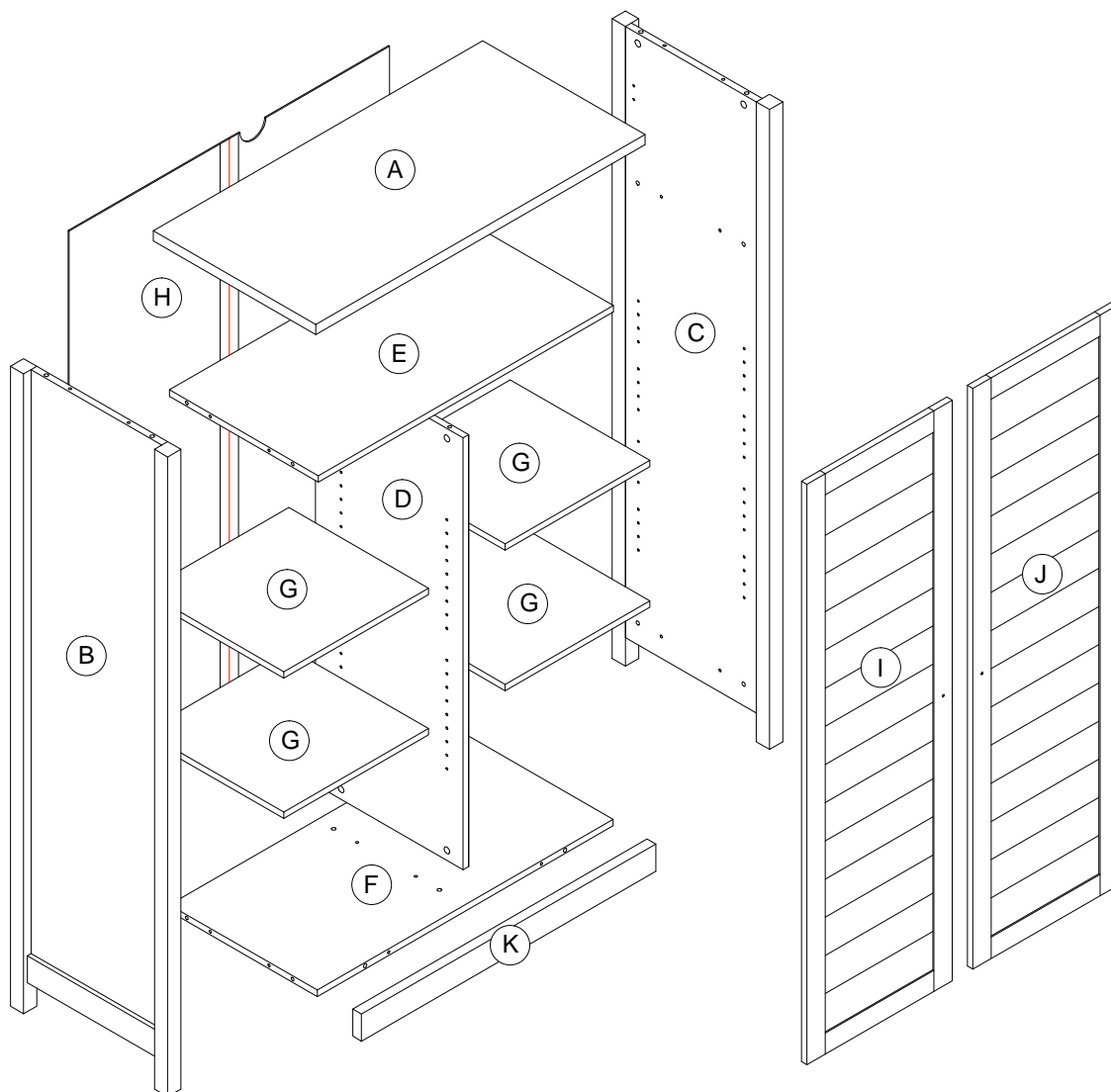


Assembly Instruction

Description: 2 Door Storage Cabinet



PARTS LIST



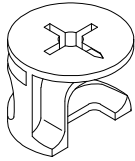
A	TOP PANEL (1)	E	FIXED SHELF (1)	I	LEFT DOOR (1)
B	LEFT SIDE PANEL (1)	F	BOTTOM PANEL (1)	J	RIGHT DOOR (1)
C	RIGHT SIDE PANEL (1)	G	ADJUSTABLE SHELF (4)	K	FRONT MOULDING (1)
D	CENTER PANEL (1)	H	BACK PANEL (1)		

USEFUL HINTS BEFORE YOU START:

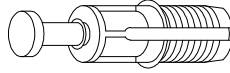
1. Read each step carefully before starting.
2. It is important that each step is performed in correct order to avoid difficulties.
3. Identify, soft and count the parts before assembly.
4. Assemble your furniture on packaging cardboard to prevent scratch or damage.
5. Clean the product with mild cleanser using soft damped cloth. Do not use harsh or abrasive cleanser.
6. Using incompatible hardware might cause damage to product.

HARDWARE LIST

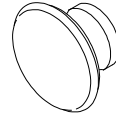
1 HIDDEN CAM
- 18



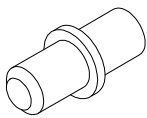
2 CAM DOWEL
- 18



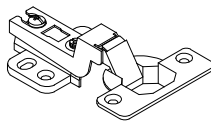
3 HANDLE - 2



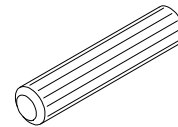
4 METAL PIN - 16



5 HINGE - 6



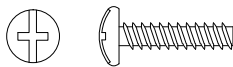
6 WOOD DOWEL - 18



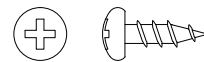
7 1/2" FLAT HEAD
SCREW - 16



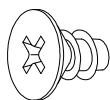
8 3/4" MACHINE
SCREW - 2



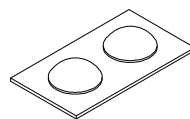
9 1/2" PAN HEAD
SCREW - 4



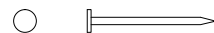
10 3/8" FLAT HEAD
SCREW - 12



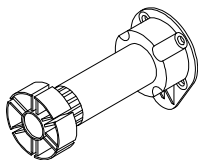
11 BUMPER CARD - 1



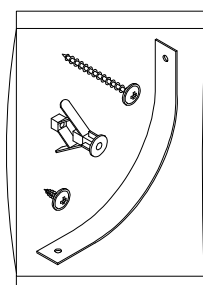
12 NAIL - 40



13 PE LEG - 1

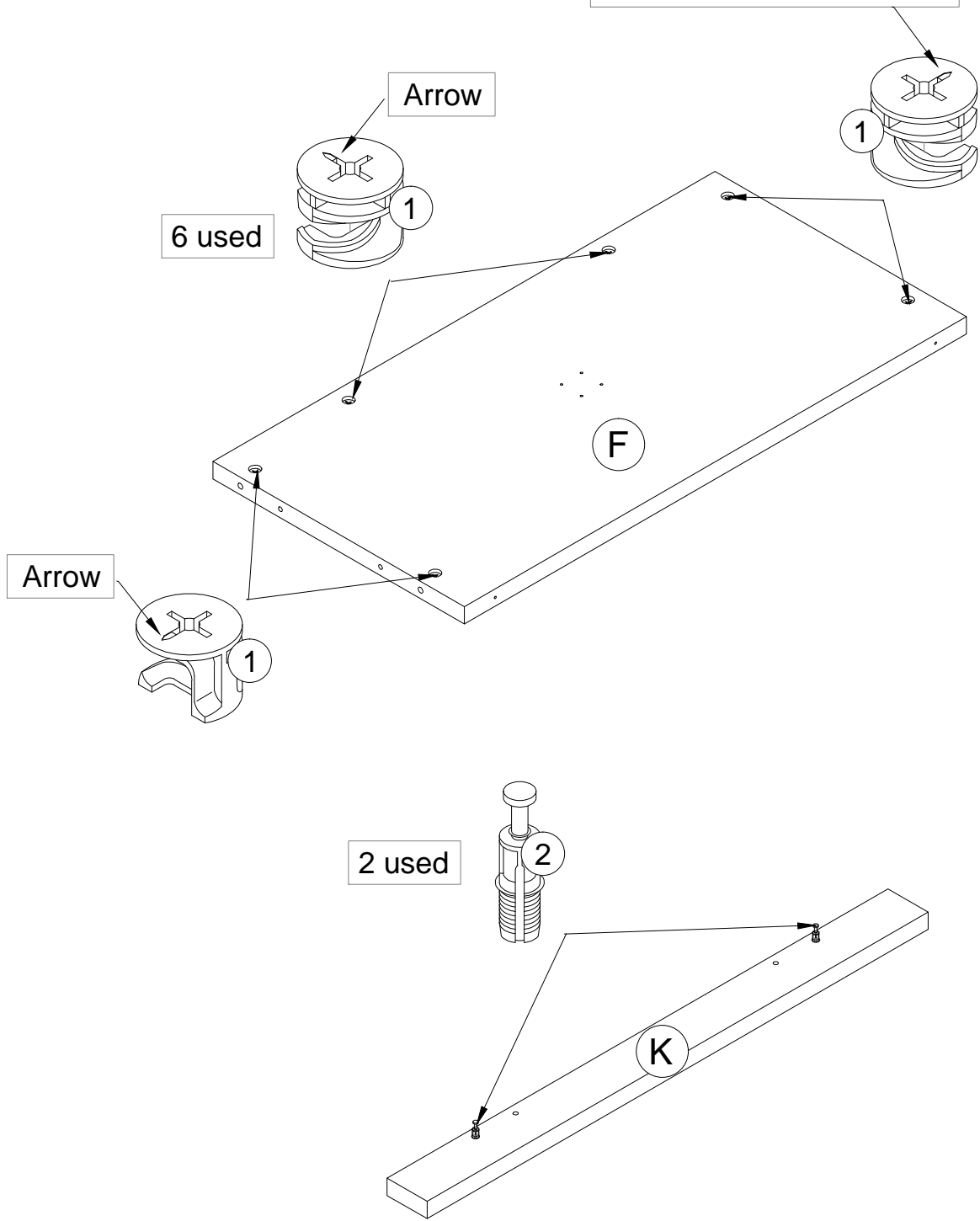


96 FURNITURE TIPPING
RESTRAINT KIT - 1

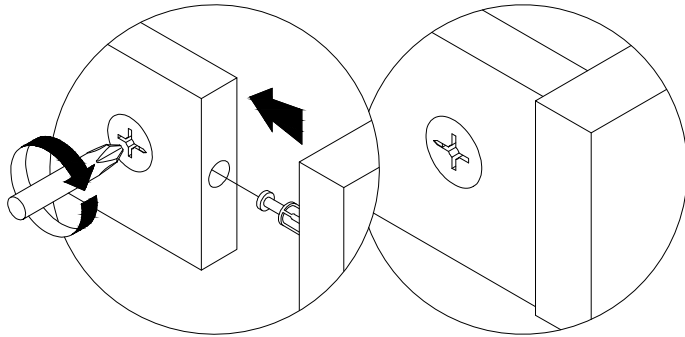


Step 1

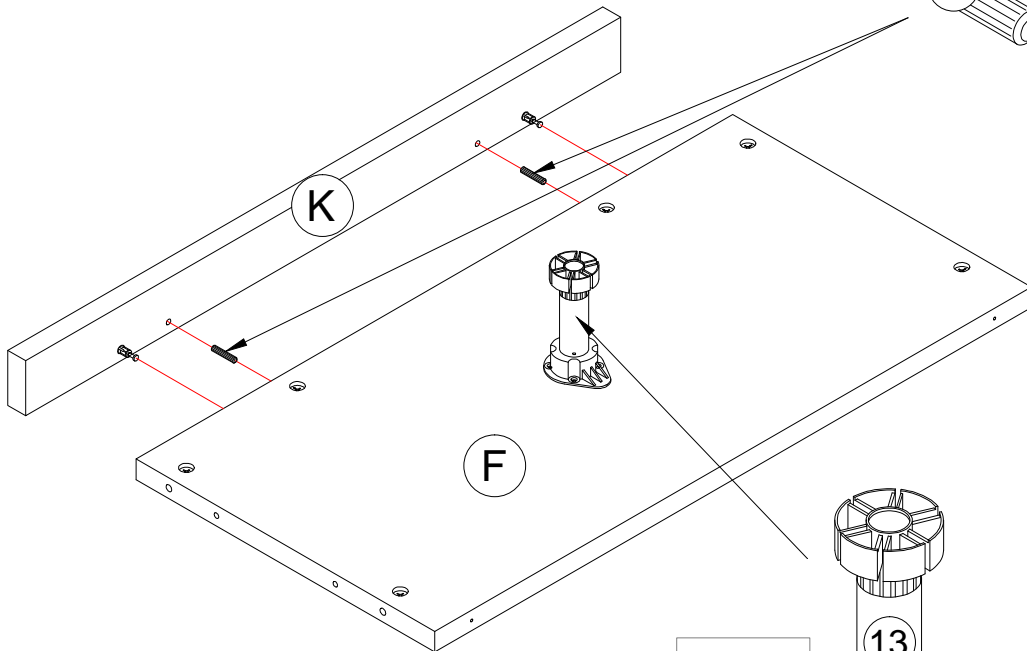
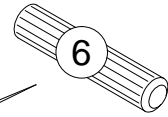
The arrow in the HIDDEN CAM must point toward the hole in the edge of the board.



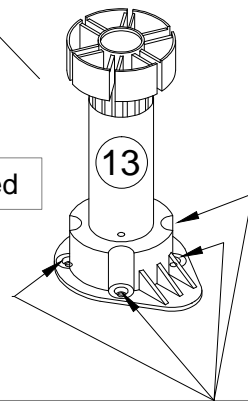
Step 2



2 used



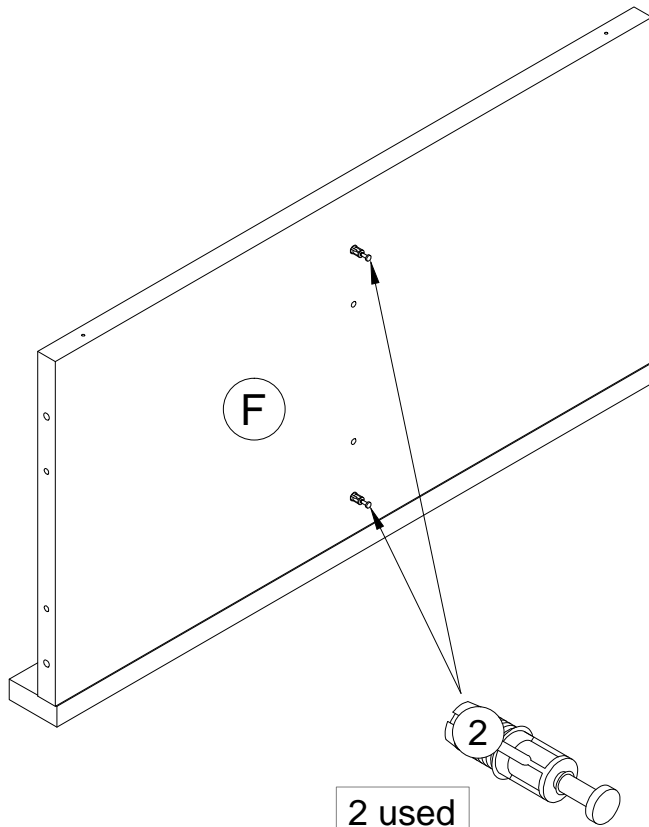
1 used



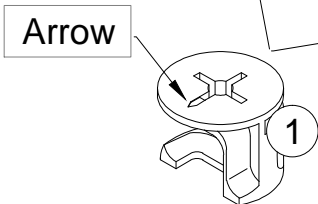
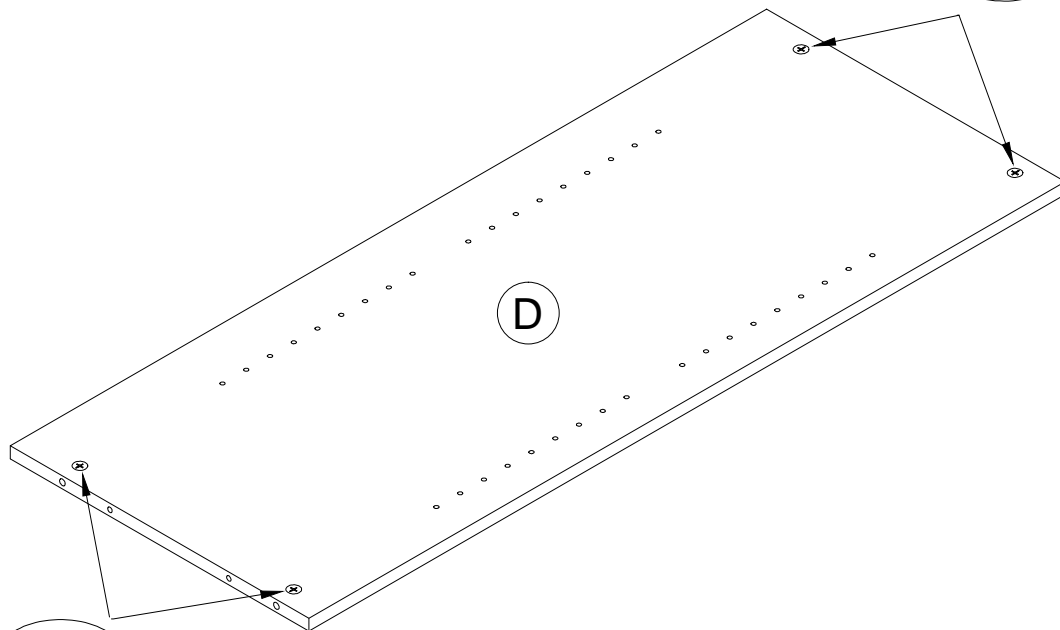
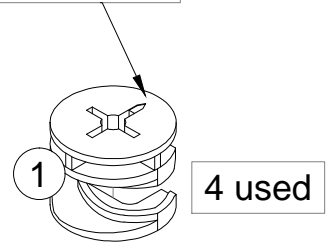
7

1/2" FLAT HEAD SCREW
(4 used in this step)

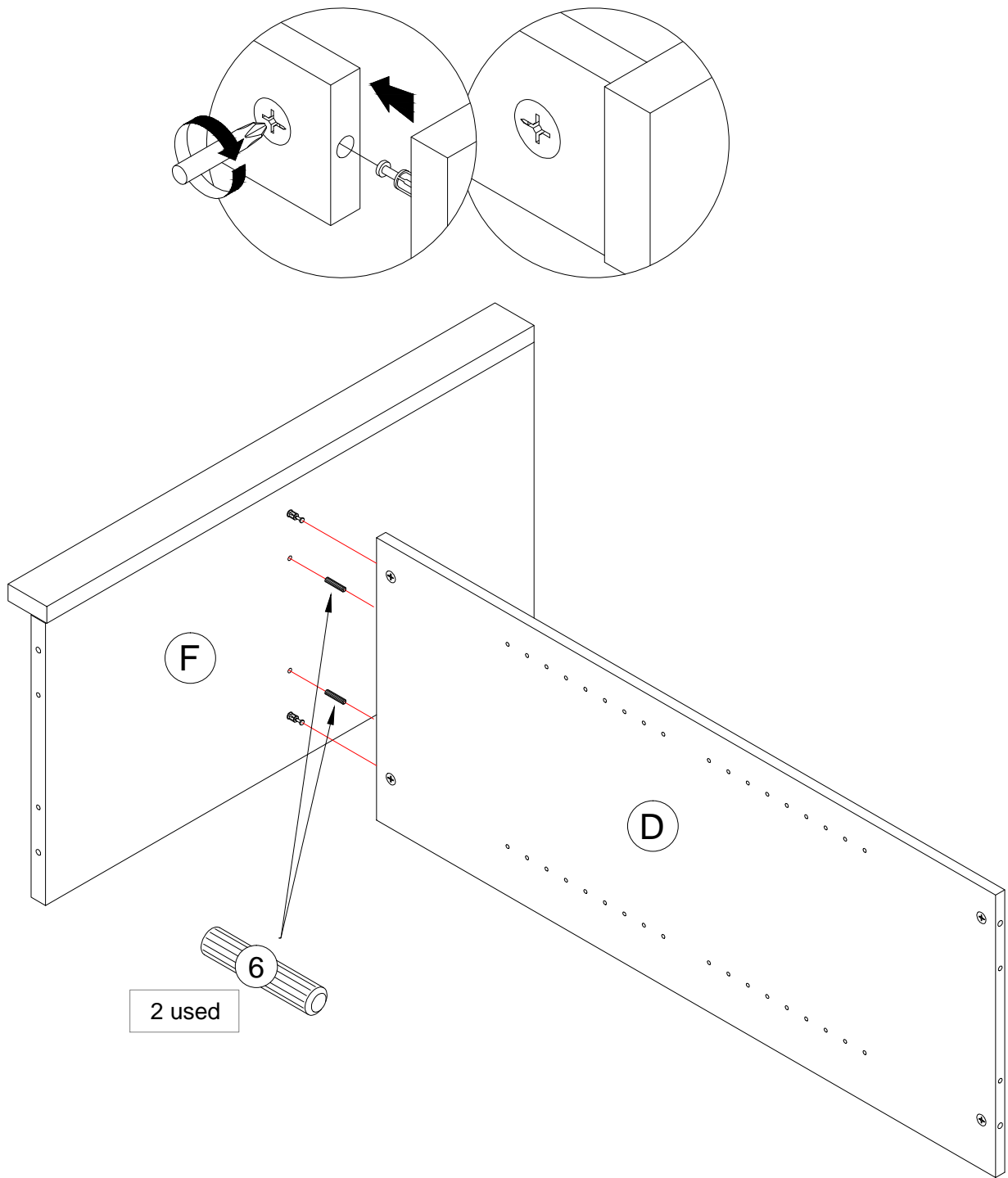
Step 3



The arrow in the HIDDEN CAM must point toward the hole in the edge of the board.

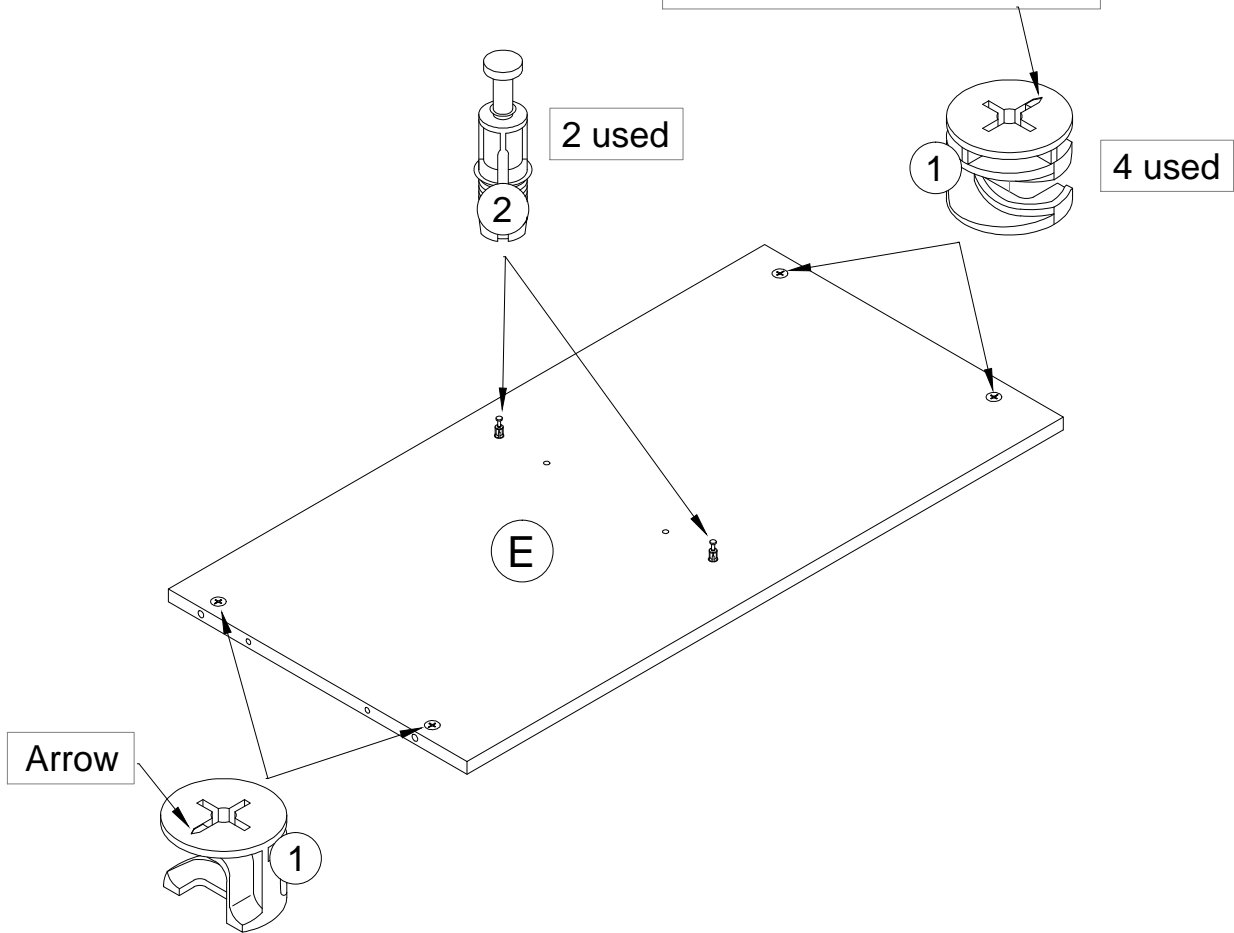


Step 4

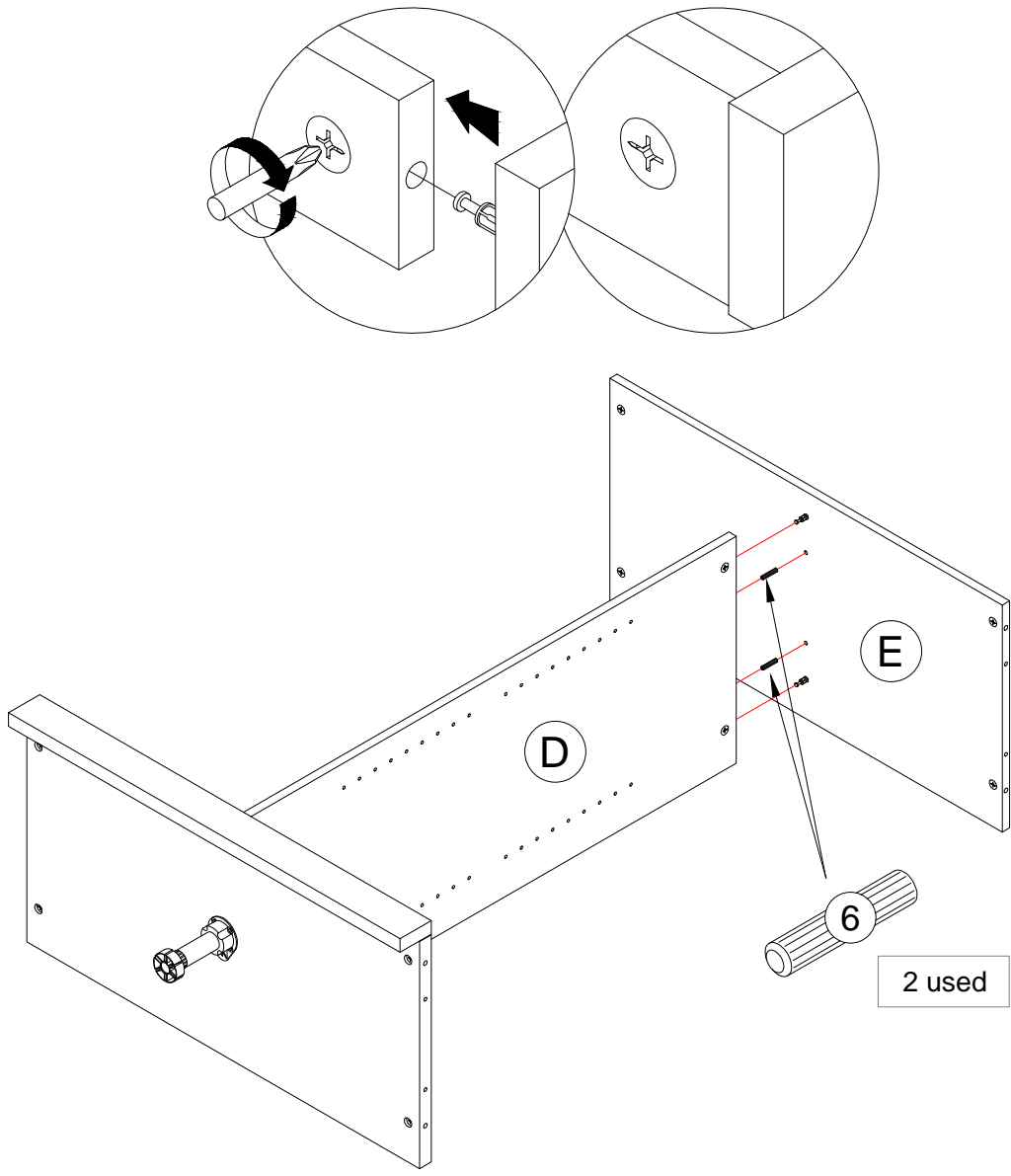


Step 5

The arrow in the HIDDEN CAM must point toward the hole in the edge of the board.

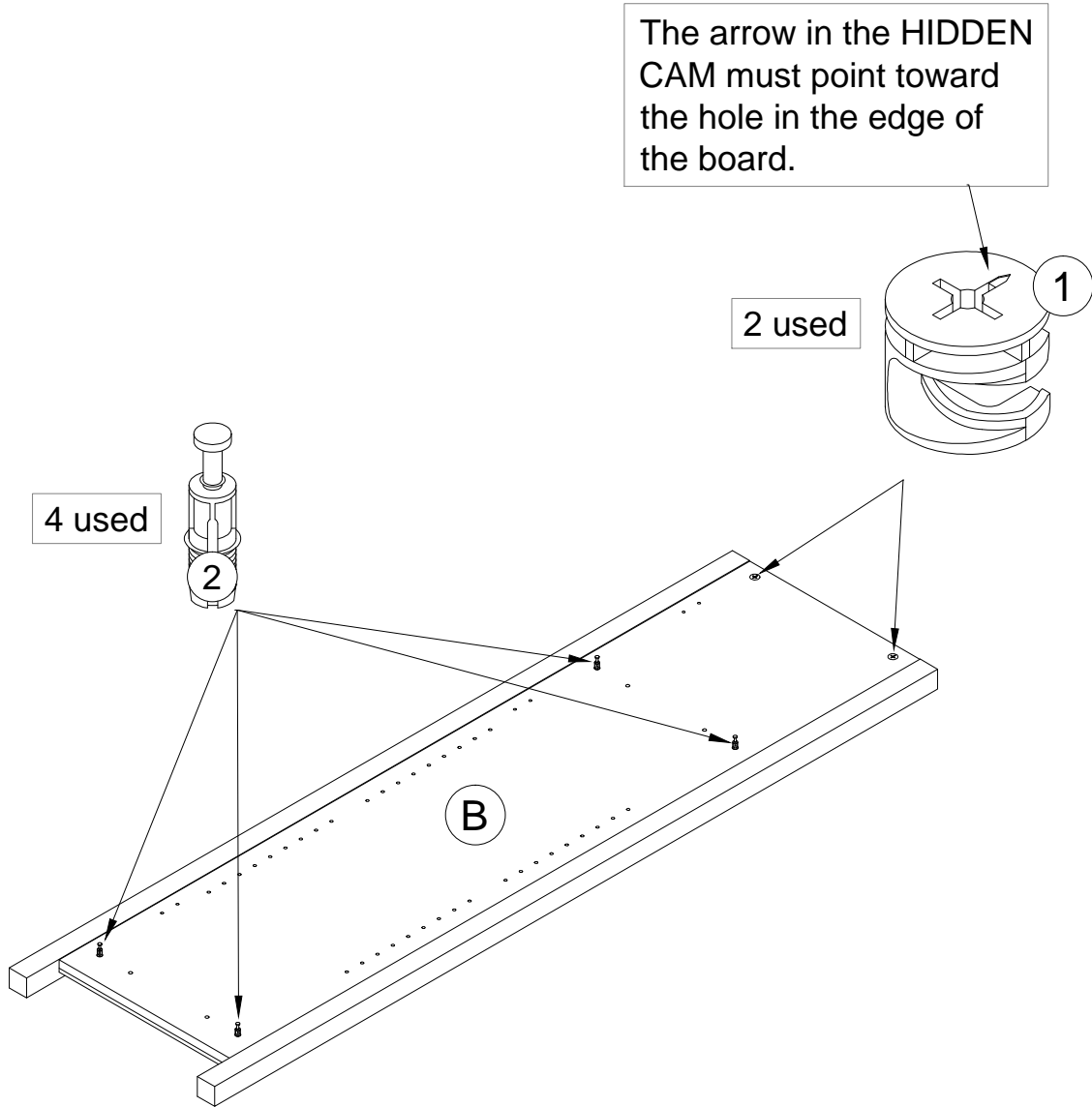


Step 6

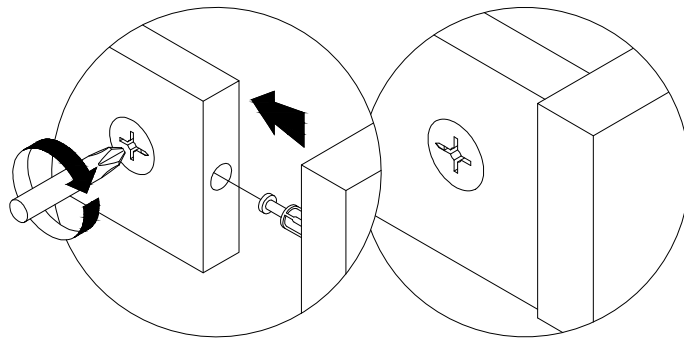


Step 7

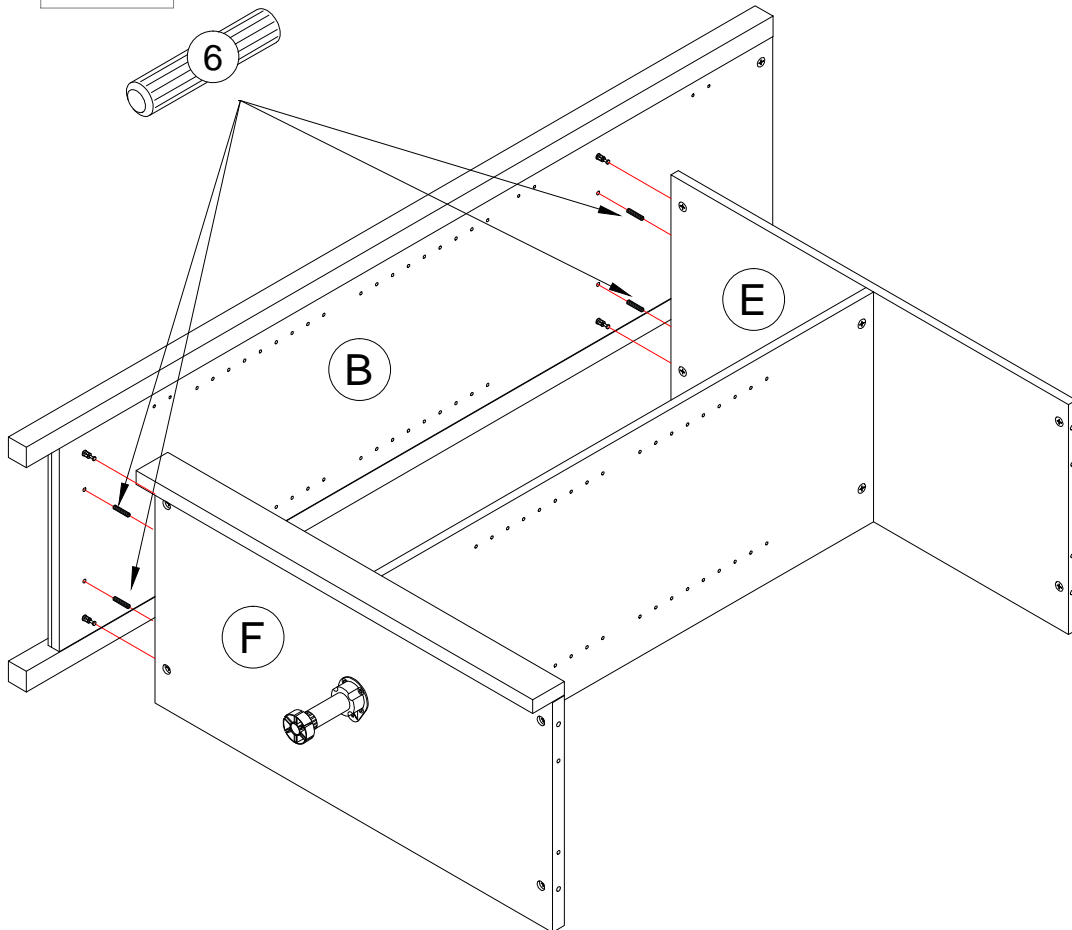
The arrow in the HIDDEN CAM must point toward the hole in the edge of the board.



Step 8

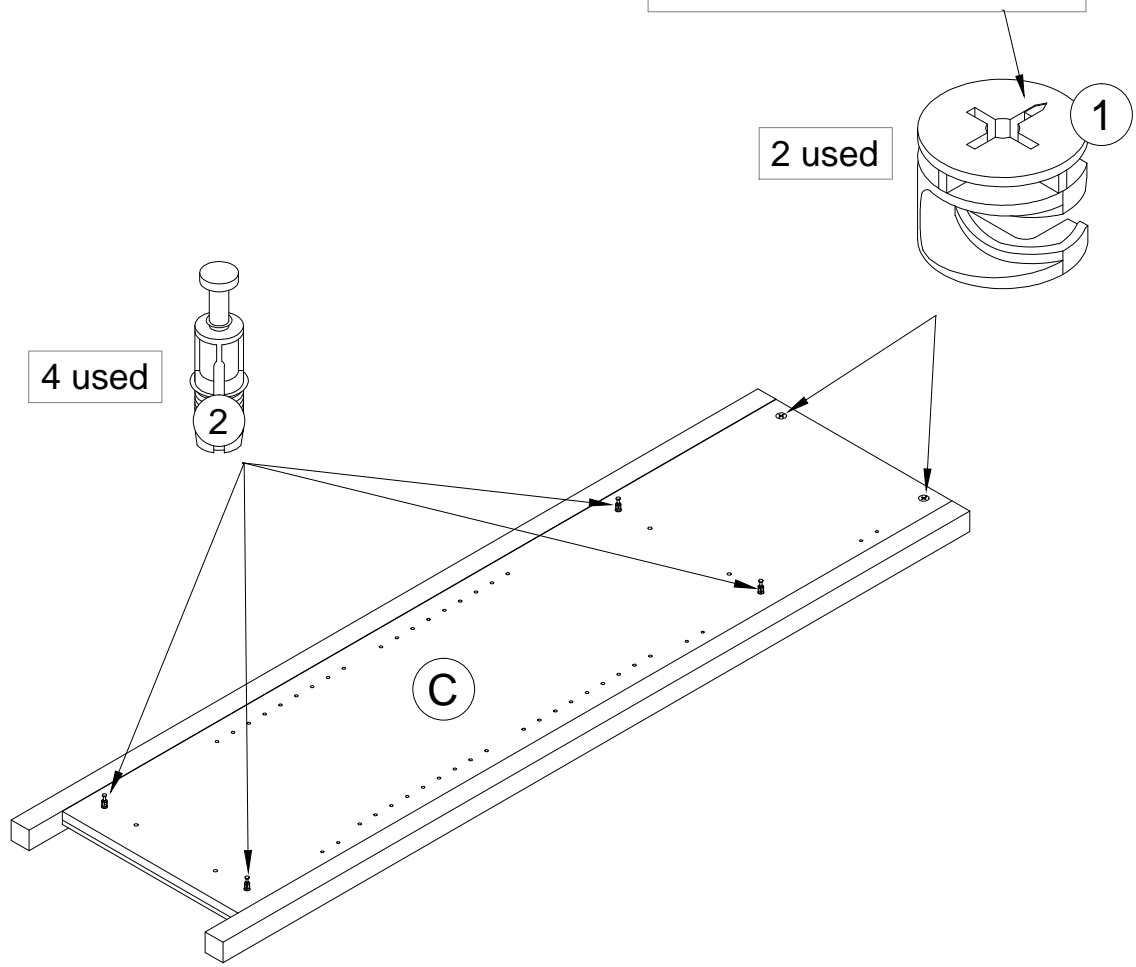


4 used

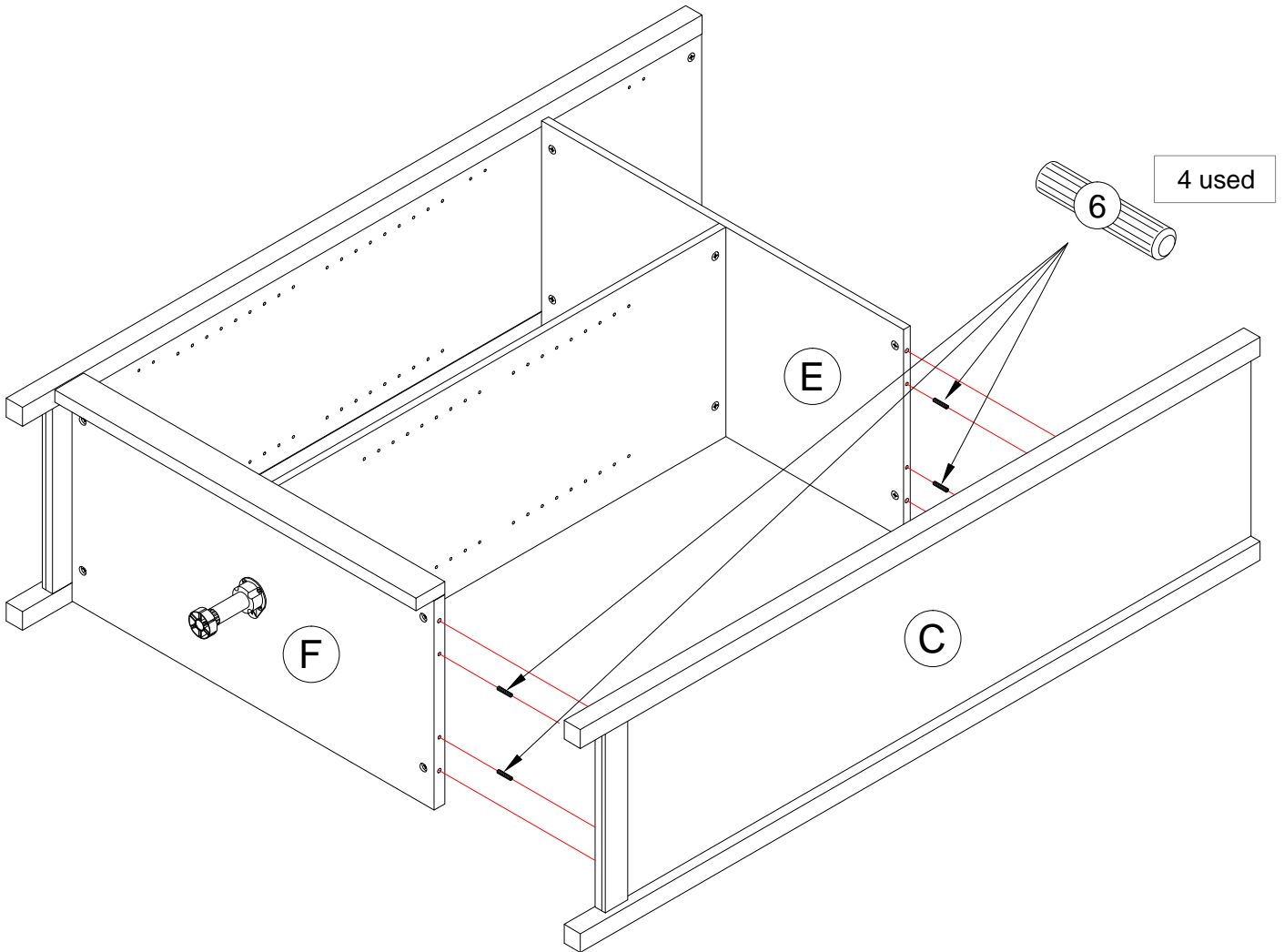
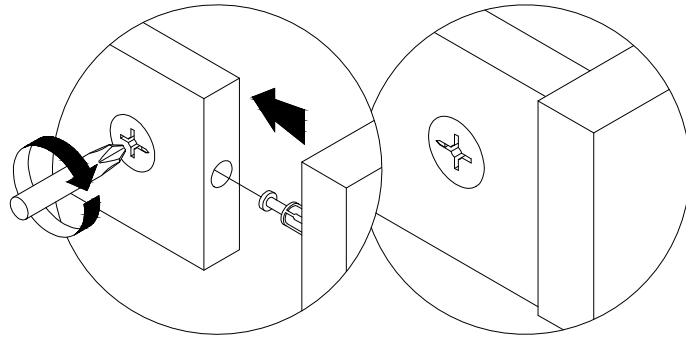


Step 9

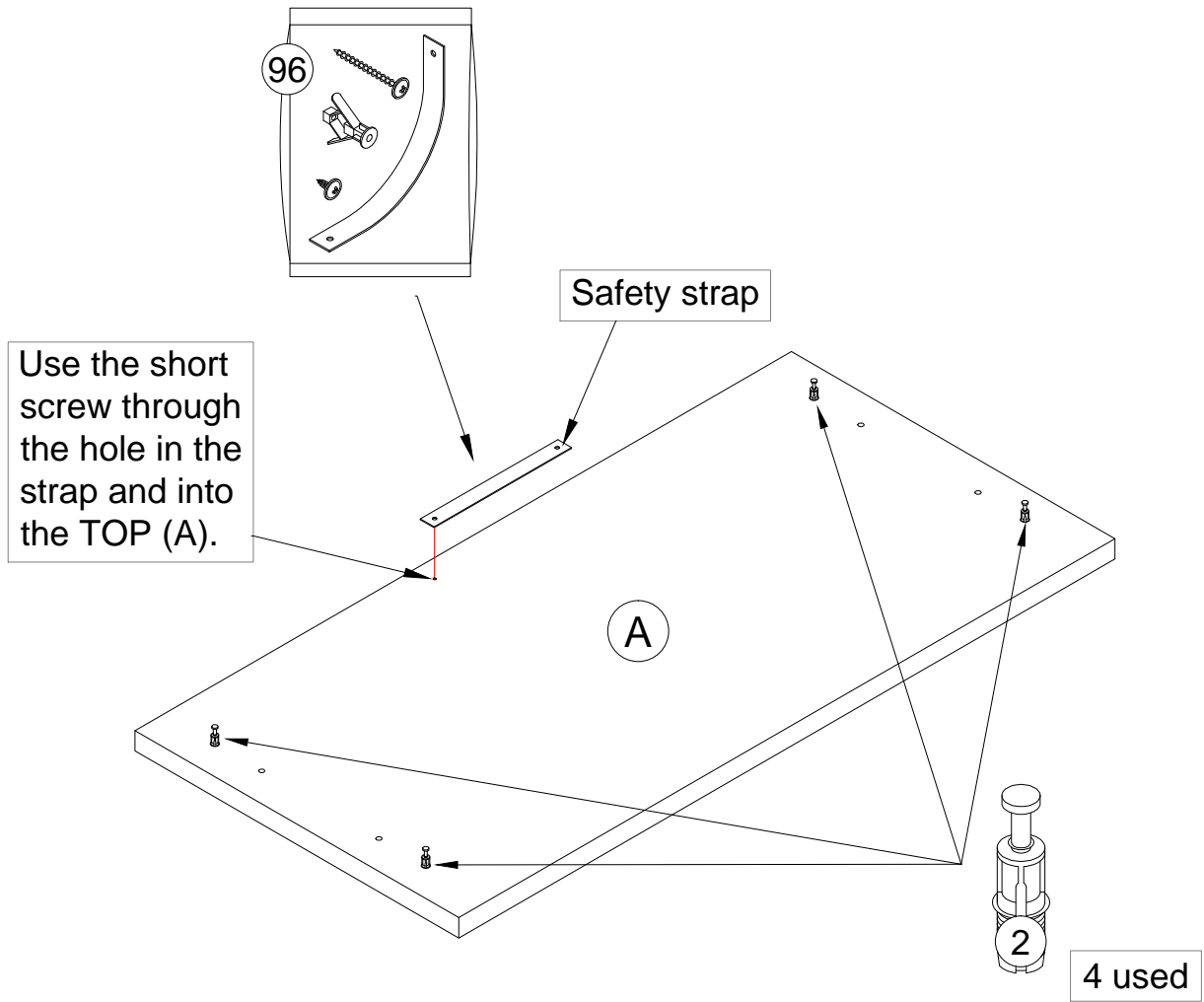
The arrow in the HIDDEN CAM must point toward the hole in the edge of the board.



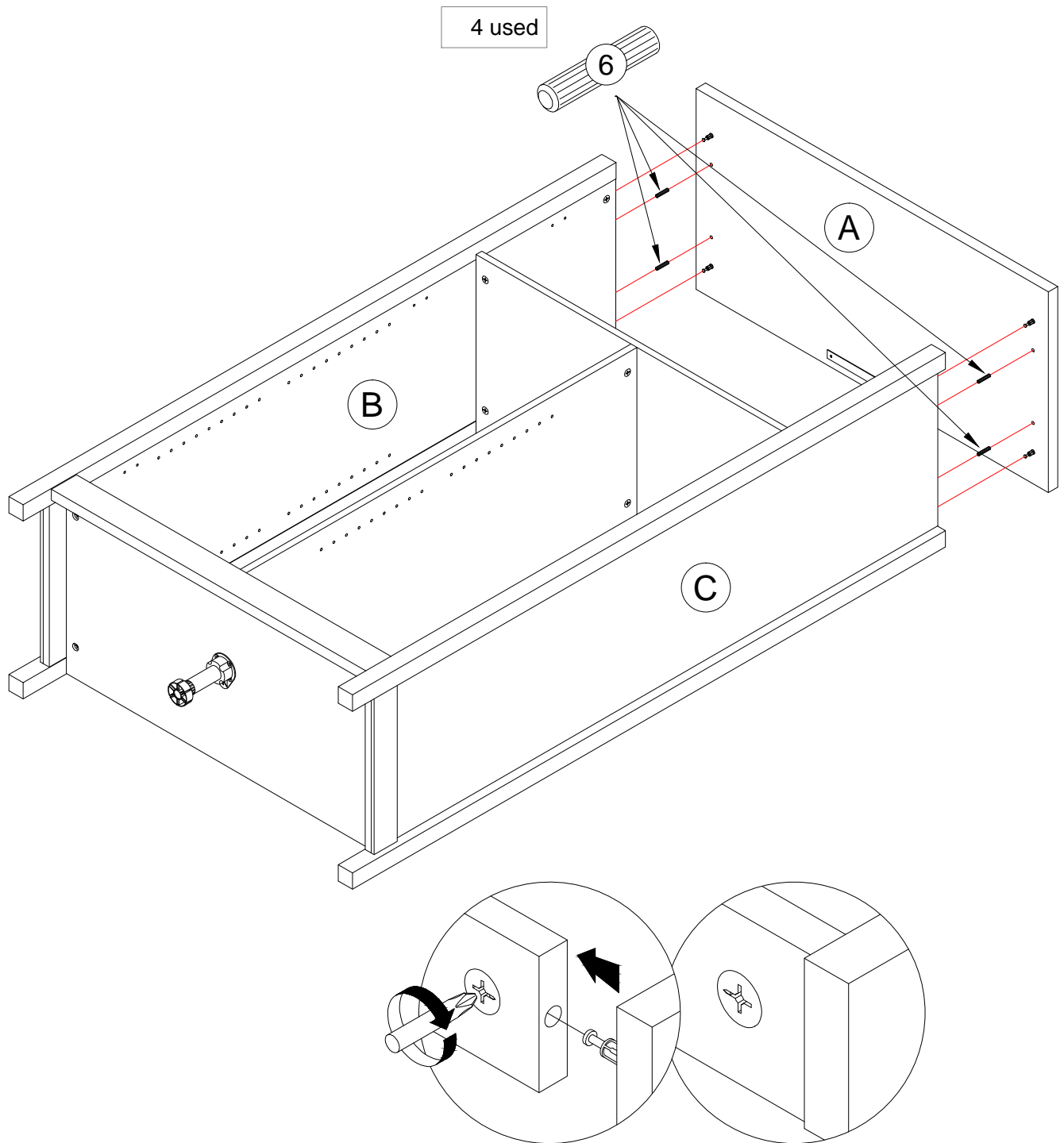
Step 10



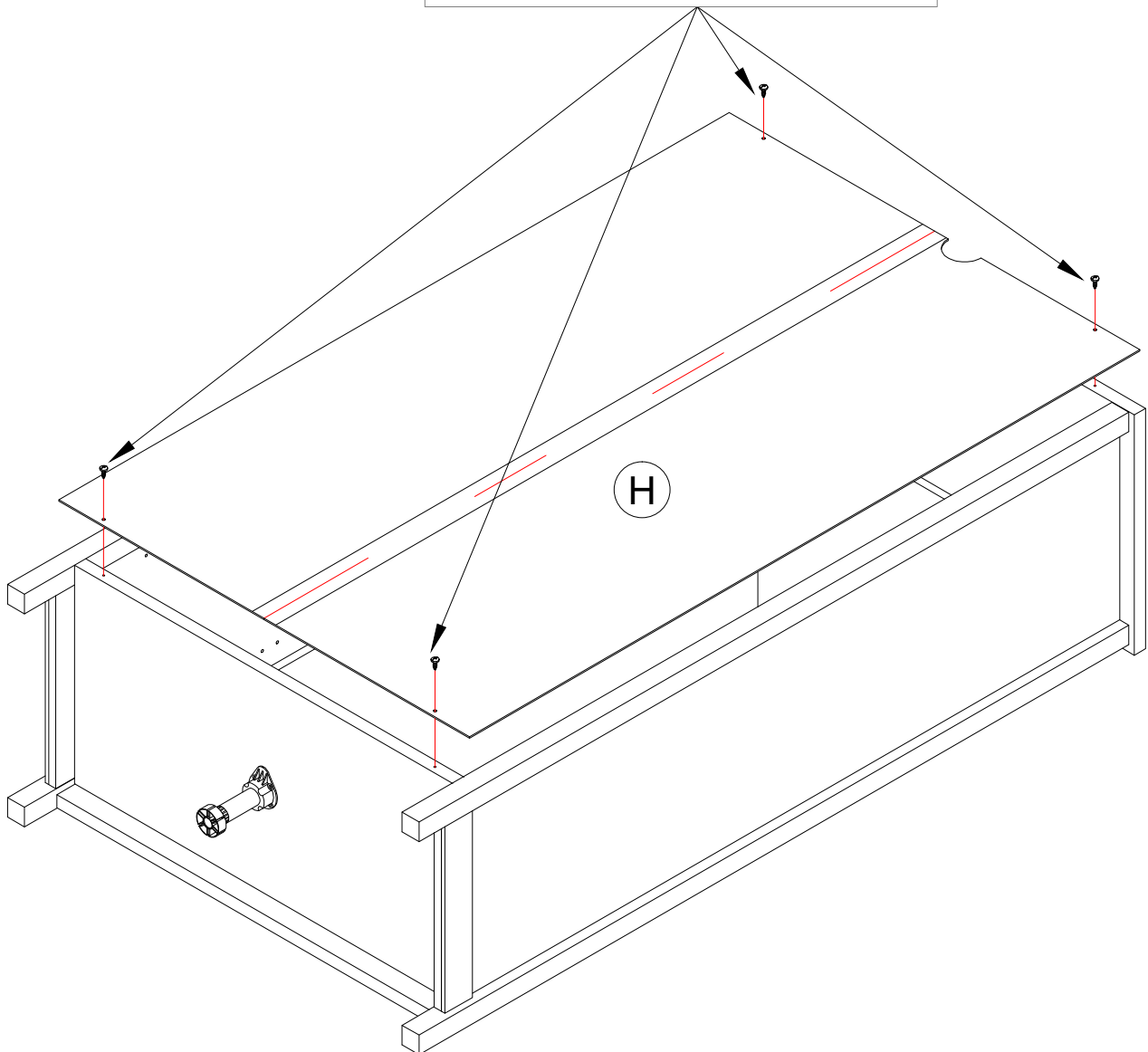
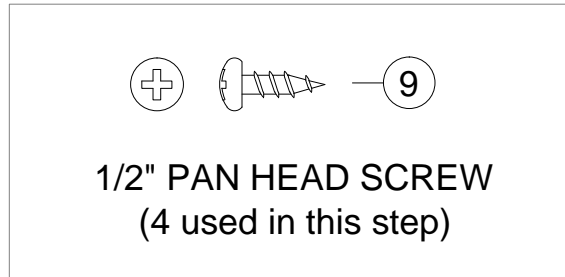
Step 11



Step 12

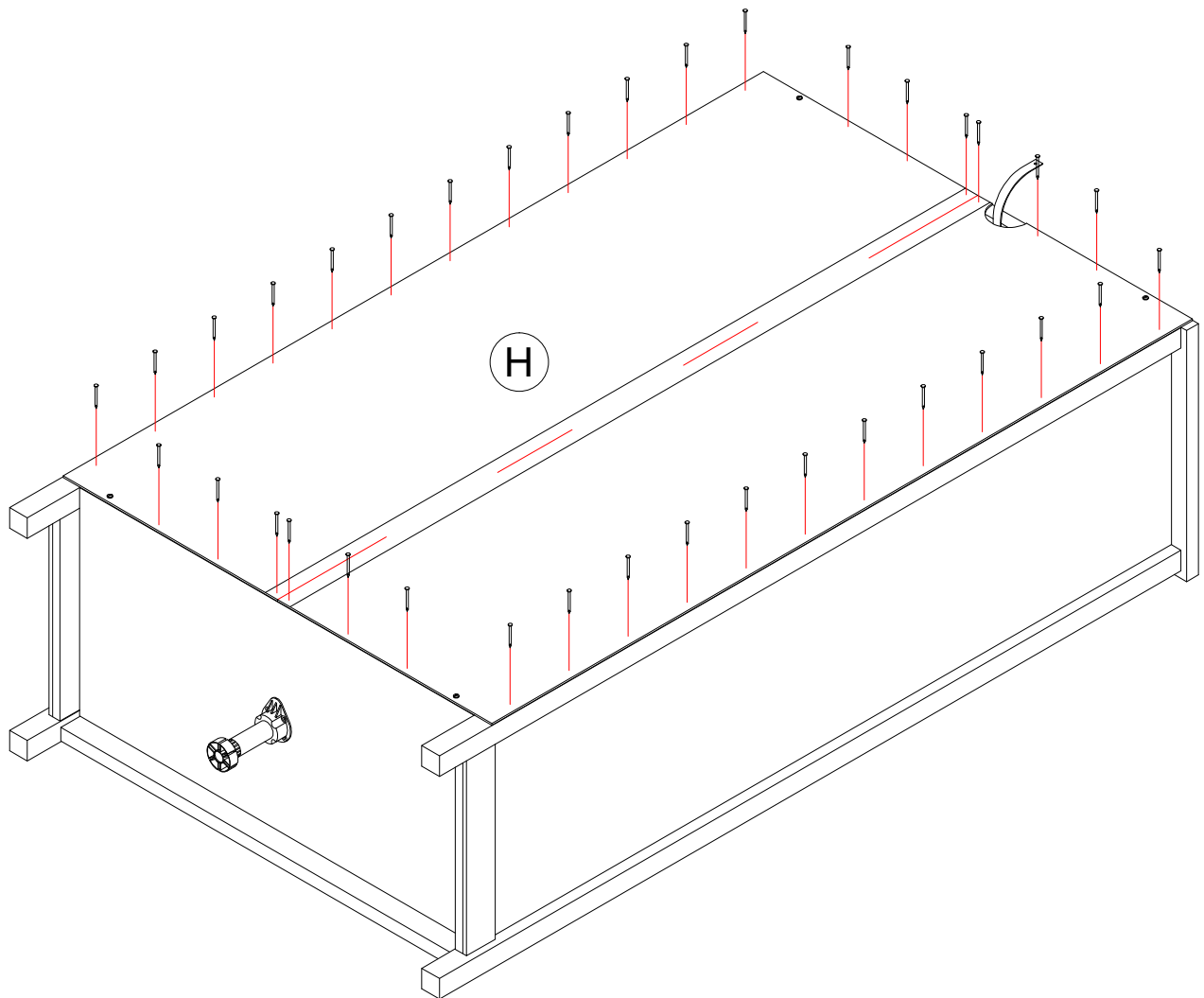
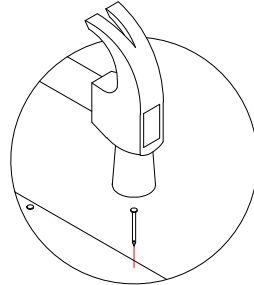
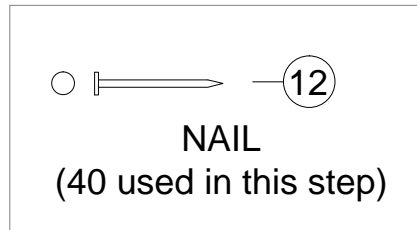


Step 13

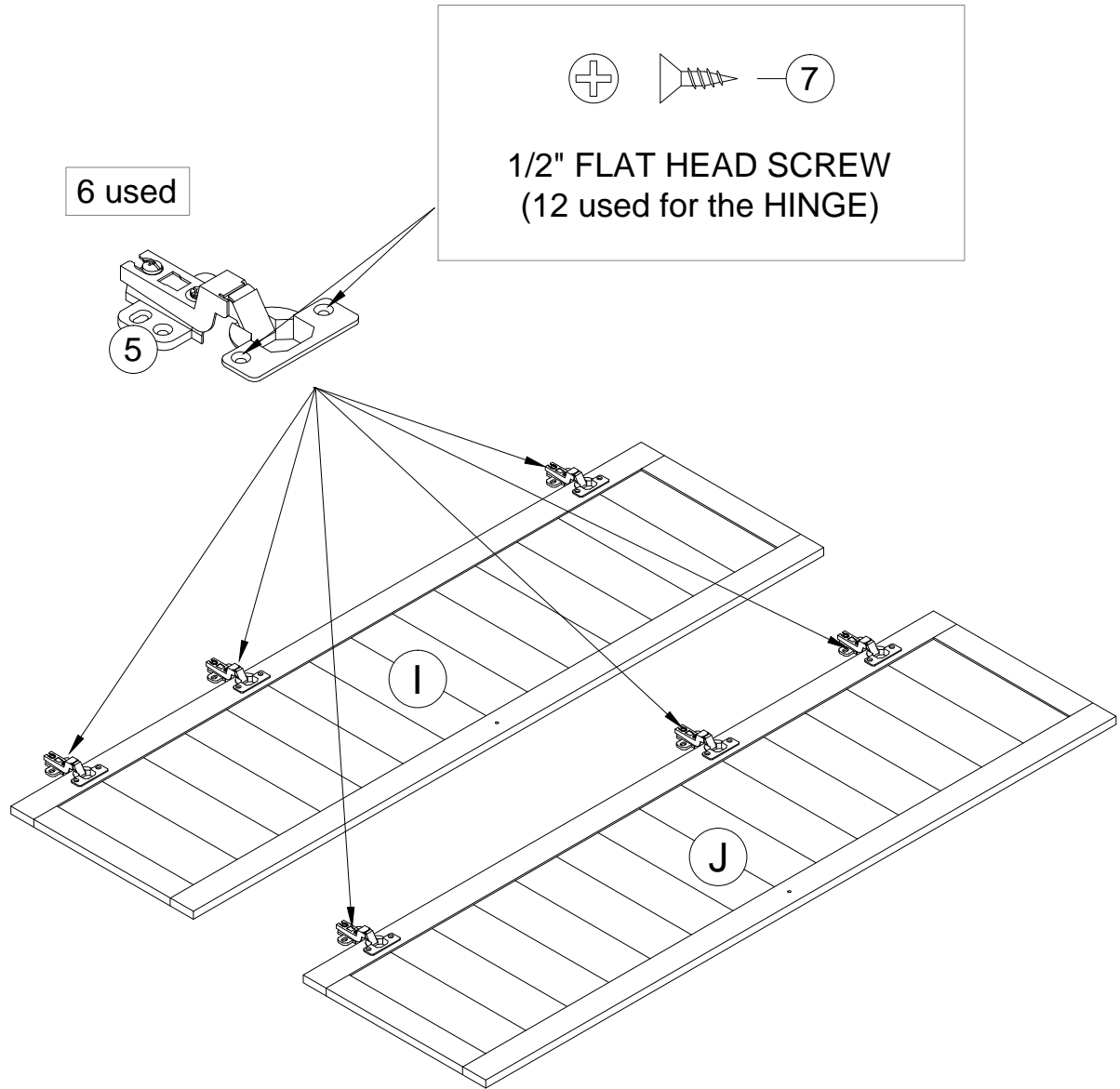


Step 14

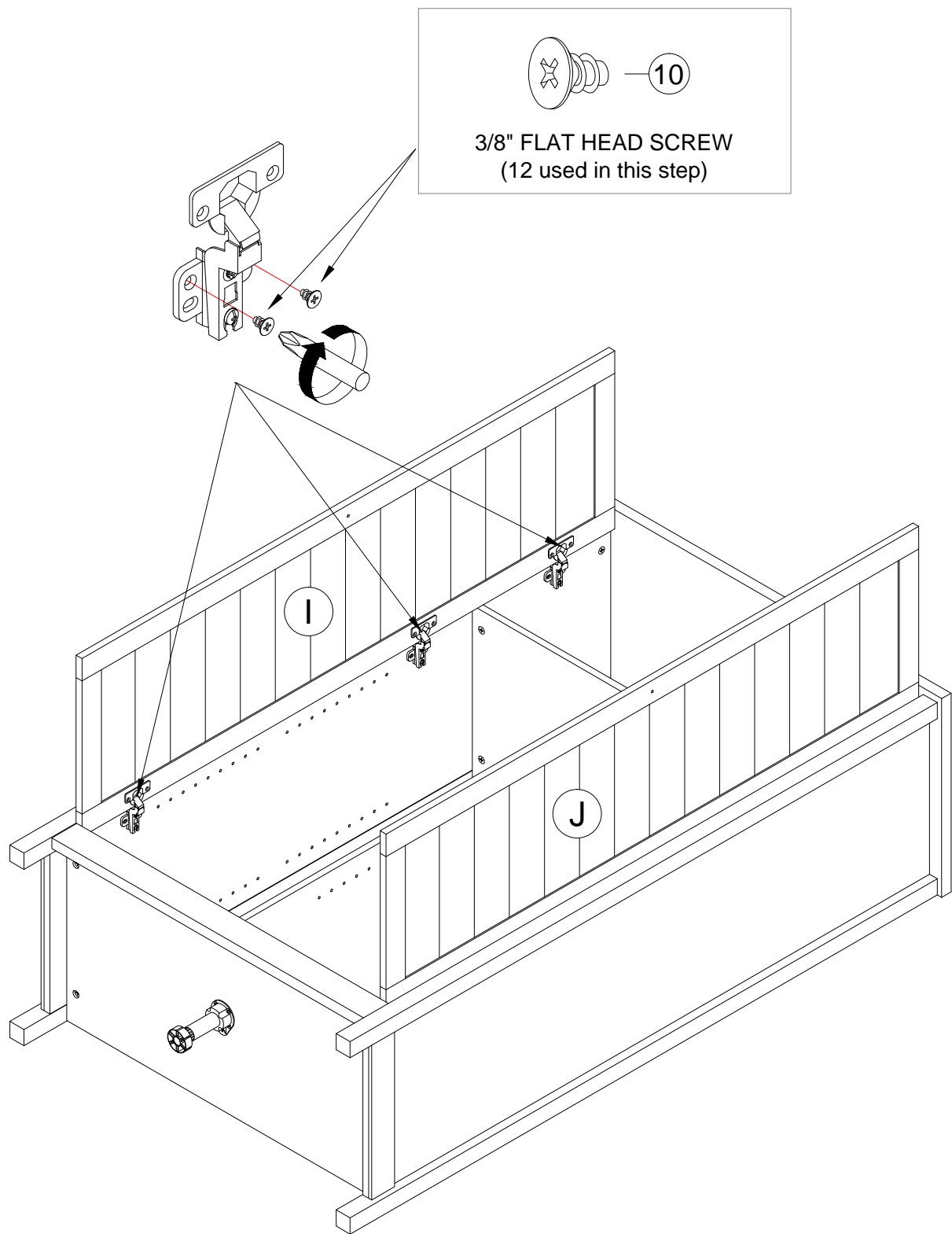
40 used



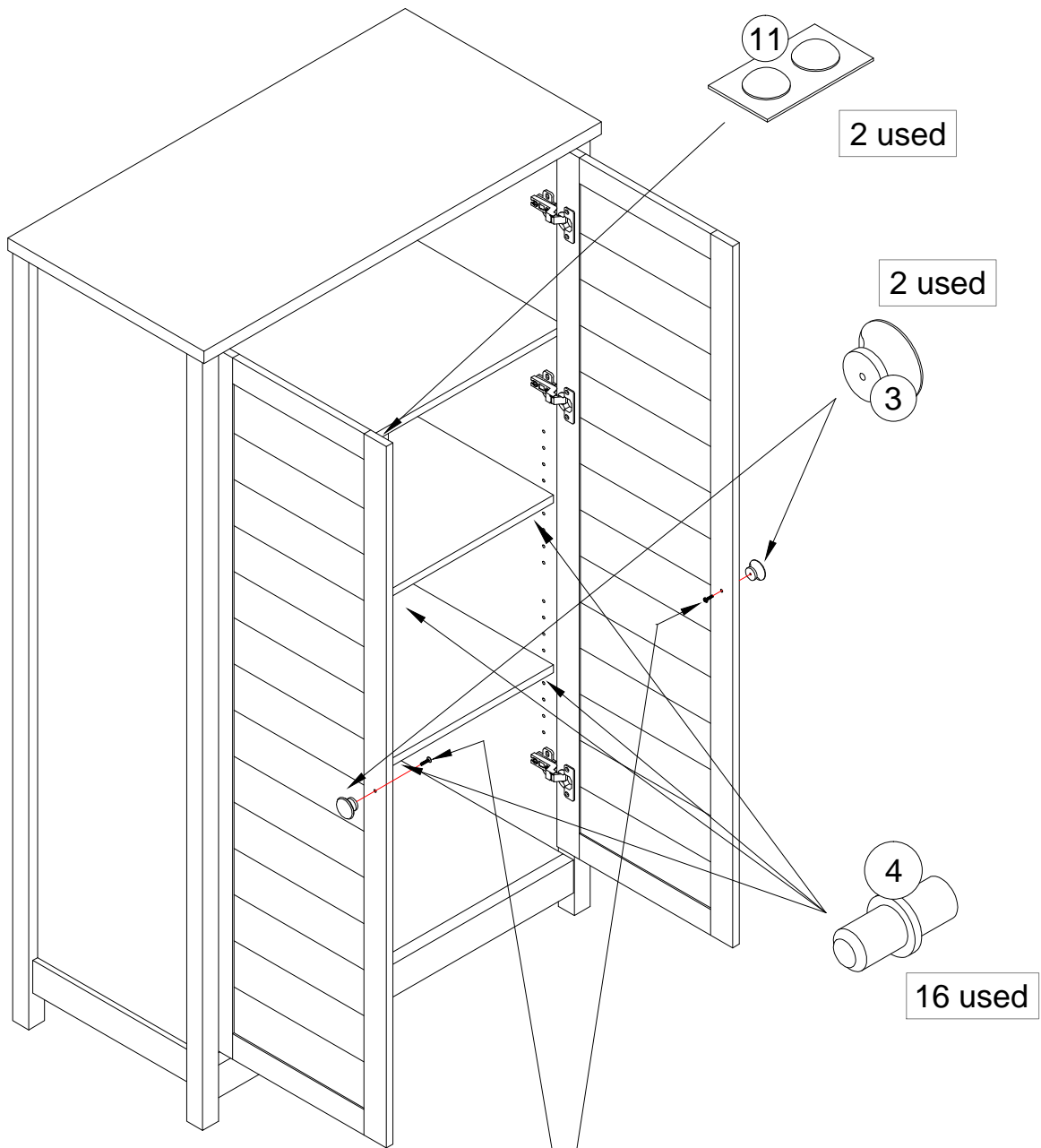
Step 15



Step 16



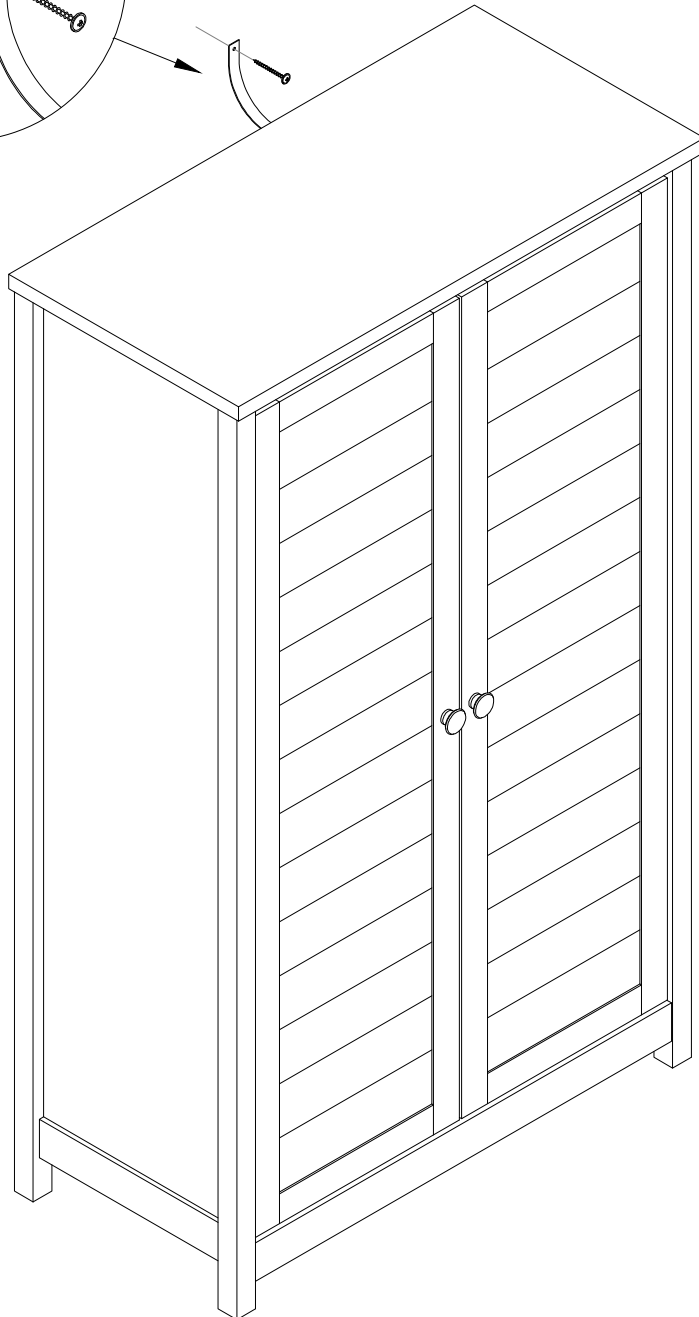
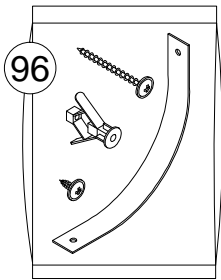
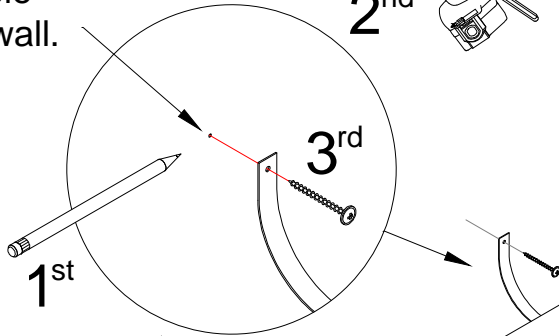
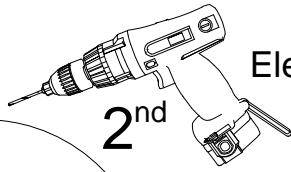
Step 17



3/4" MACHINE SCREW
(2 used for the HANDLE)

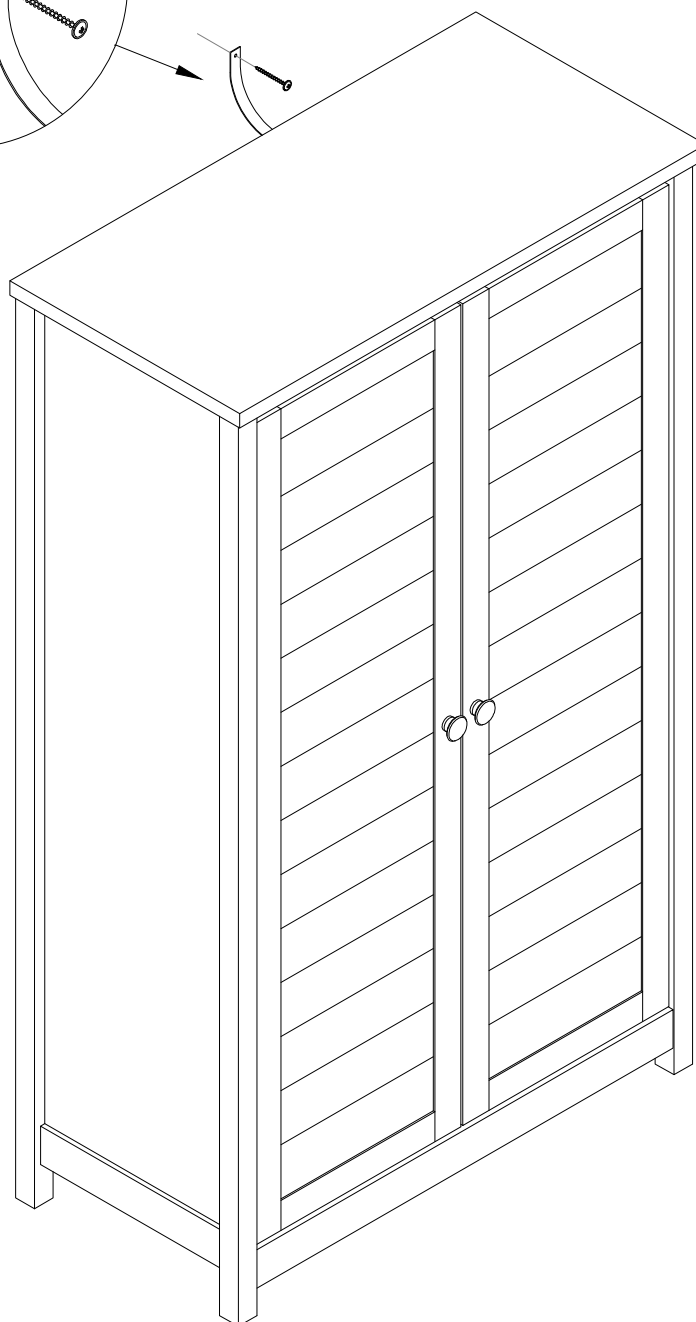
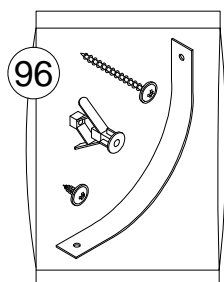
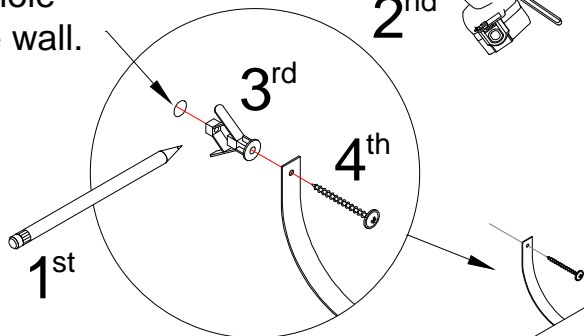
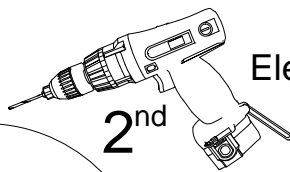
Step 18

Mark and drill
a 1/8" hole
into the wall.



Step 19

Mark and drill
a 3/8" hole
into the wall.



Step 20

