

INSTALLATION

Product Manual



IMPORTANT INFORMATION!

please read the entire manual before starting to assemble and/or using this product. follow the manual thoroughly and keep it for further reference.



AVOID SCRATCHES!

In order to avoid scratching this furniture should be assembled on a soft layer- could be a rug.



IMPROVE EFFICIENCY !

Try to find a partner to install with you, which can speed up the installation efficiency and shorten the time.



ANTI-TOPPLE WARNING !

Overturnd furniture can cause serious or fatal crush injuries. To prevent tipping over, be sure to use the wall attachment, if not included with this product. Please purchase the wall attachment that fit your wall. If unsure, seek professional advice. Please read and follow each step of the instructions carefully.

IMPORTANT !

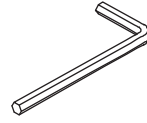
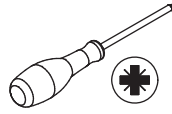
It is important that any product which is assembled using any kind of screw is re-tightened 2 weeks after assembly, and once every 3 months - in order to assure stability through-out the lifespan of the product.

For regular maintenance and cleaning of the product, for the frame, please use a rag dipped in neutral detergent to fully wipe it, and then dry it with a clean rag. For glass materials, wipe with a rag dampened with water glass cleaner, and then dry with a dry rag.

Do not use an electric screwdriver, and do not use too much force when installing, because the board is easy to break.

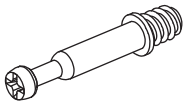


Please prepare the following tools




When installing, please carefully confirm whether each screw corresponds to the manual, accessories with similar shapes can be distinguished by size

A x 63



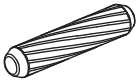
CRA0635A

B x 63



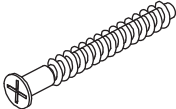
CRB1595A

C x 40



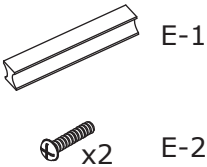
CRF0630A

D x 21



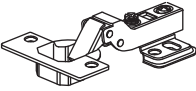
CRC0540A

E x 3



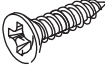
E-1
E-2 x2

F x 4



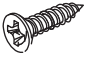
DGA861C

G x 48



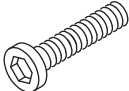
CRD3514A

H x 8




CRD3512A

J x 27



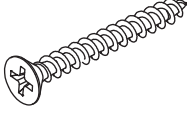
CRG0625A

K x 4



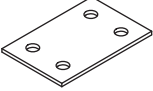
CRG0612A

L x 3




CRD0440A

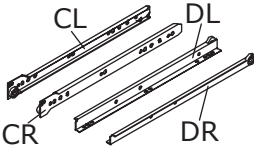
M x 4



N x 1



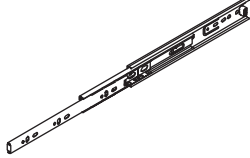
P x 1



CL DL
CR DR

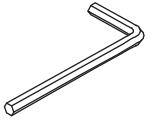
WX0812A

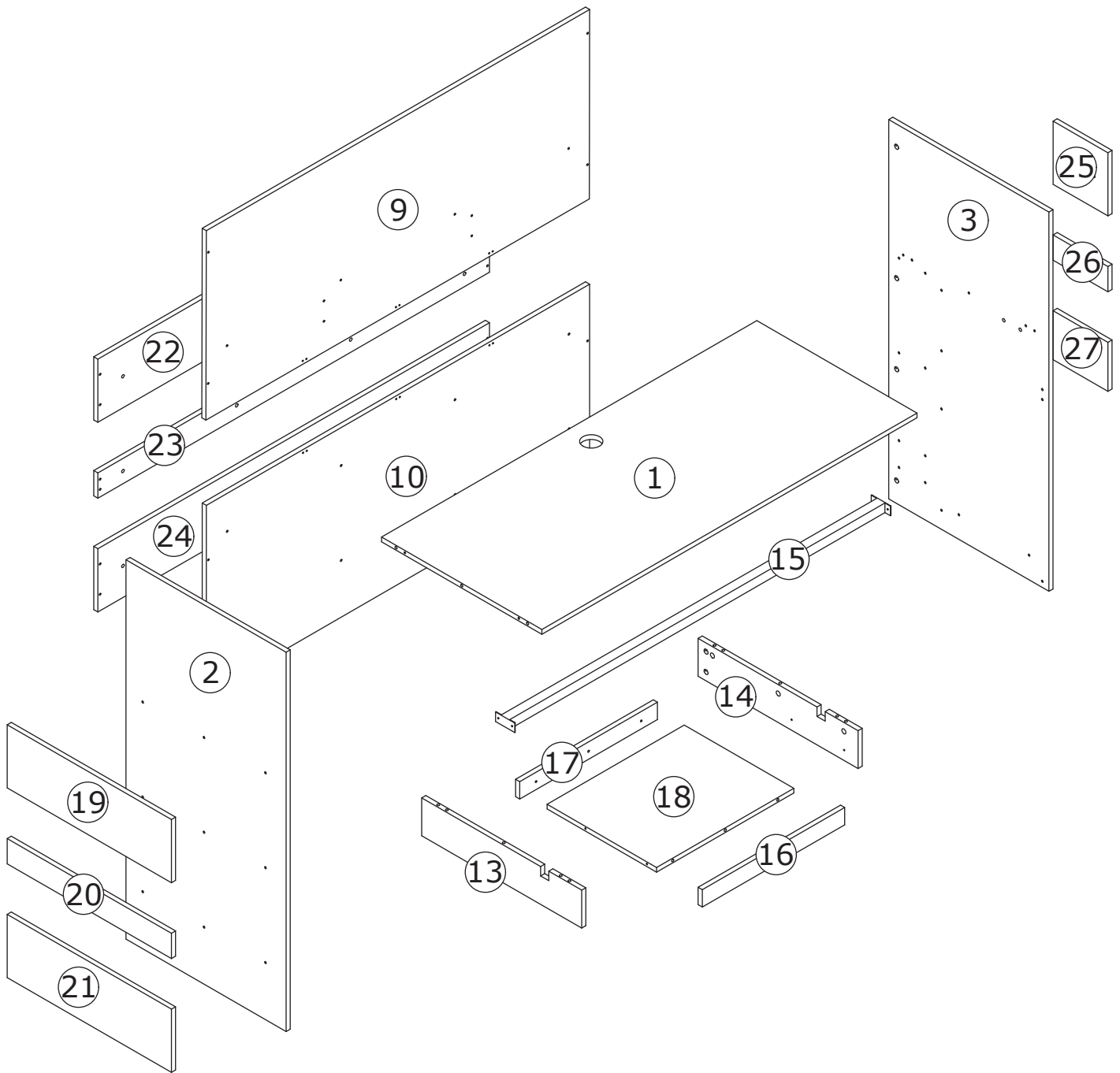
Q x 2



#3508 12"

x 1





⚠ WARNING



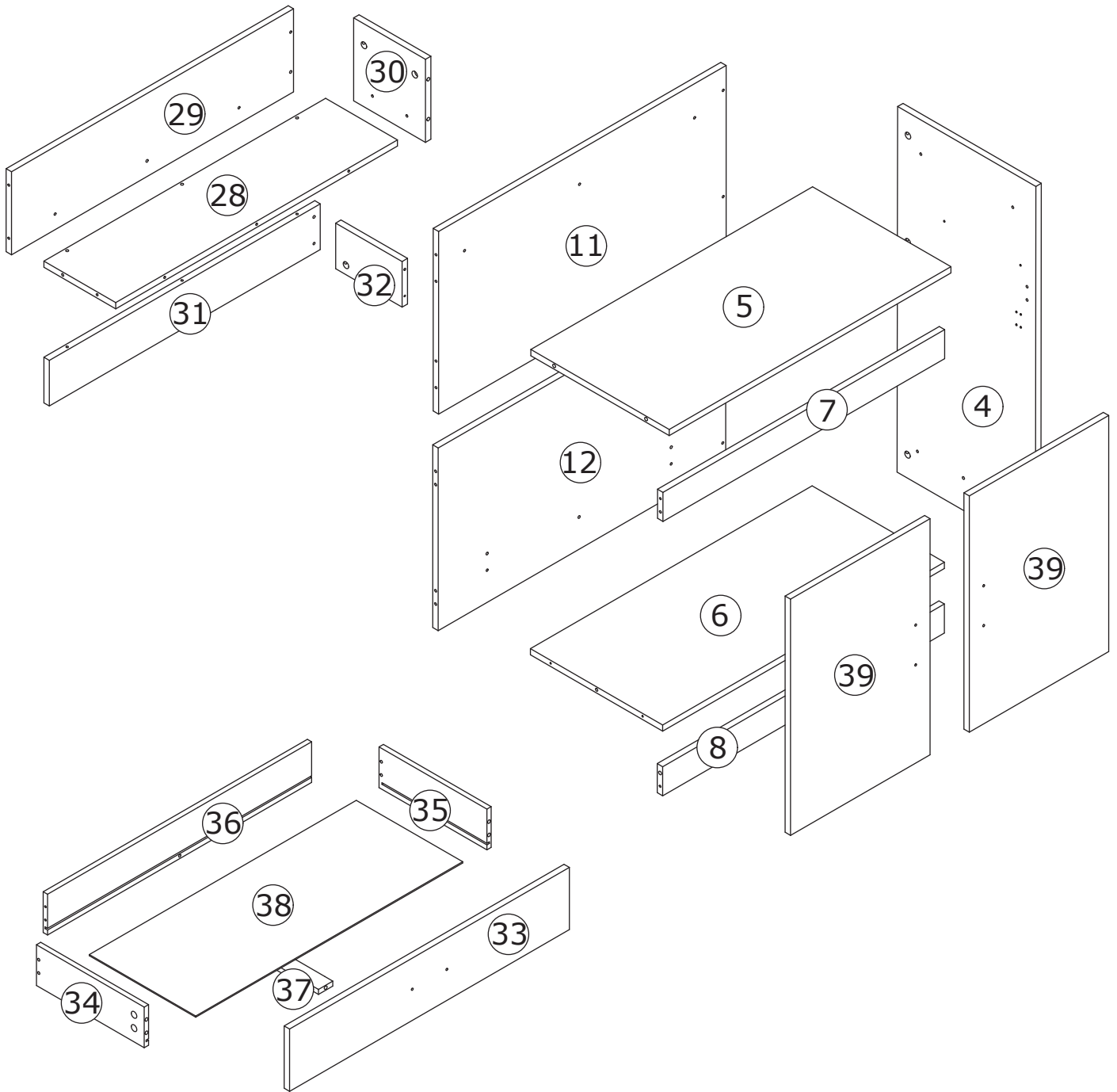
Children have died from furniture tipover. To reduce the risk of furniture tipover:

- ALWAYS install Anti-tip device provided.
- NEVER put a TV on this product.
- NEVER allow children to stand, climb or hang on drawers, doors, or shelves.
- NEVER open more than one drawer at a time.
- Place heaviest items in the lowest drawers.



*This is a permanent label.
Do not remove!*





⚠ WARNING

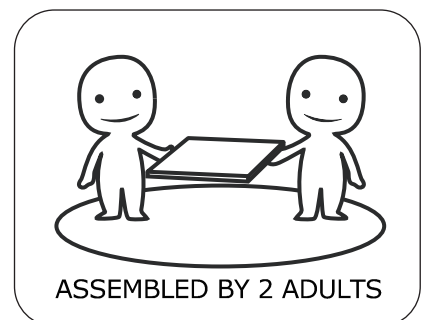


Children have died from furniture tipover. To reduce the risk of furniture tipover:

- ALWAYS install Anti-tip device provided.
- NEVER put a TV on this product.
- NEVER allow children to stand, climb or hang on drawers, doors, or shelves.
- NEVER open more than one drawer at a time.
- Place heaviest items in the lowest drawers.



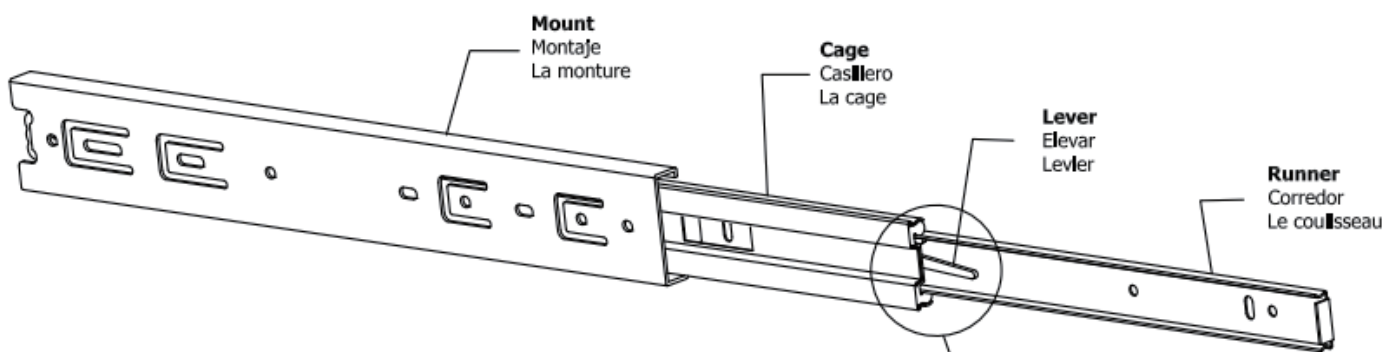
*This is a permanent label.
Do not remove!*



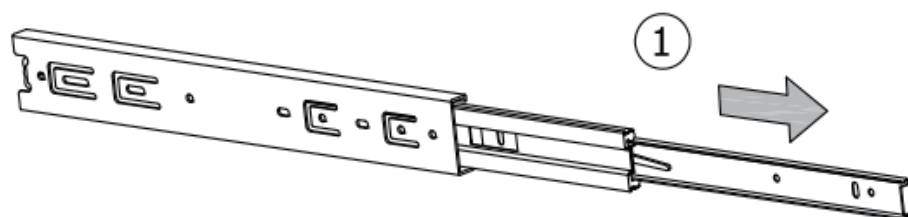
**Slides Must Be Separated Before Assembly.
After Separated, Set Aside Until Needed for Assembly.**

Las diapositivas deben separarse antes del montaje.
Después de la separación, déjelo a un lado hasta que sea necesario.

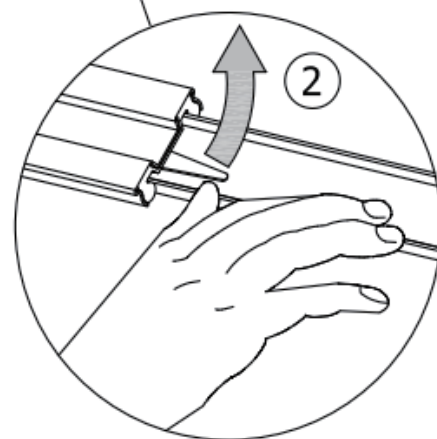
Les glissières doivent être séparées avant l'assemblage.
Après la séparation, mettez de côté jusqu'au moment de l'assemblage.



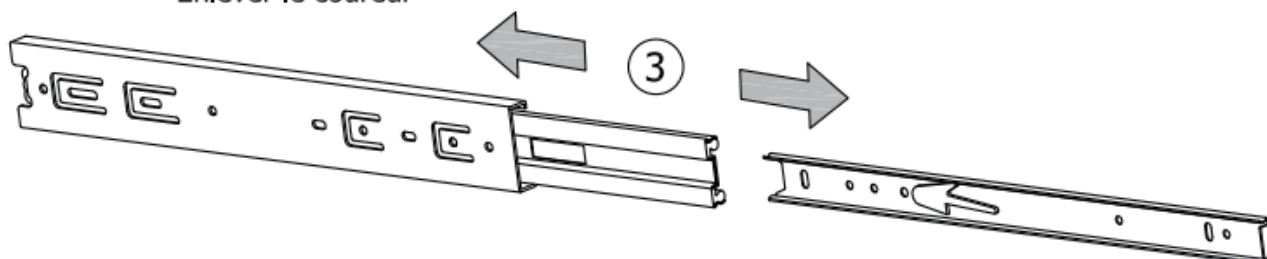
STEP 1: Extend Slide
Extender la diapositiva
Extendre la diapositive



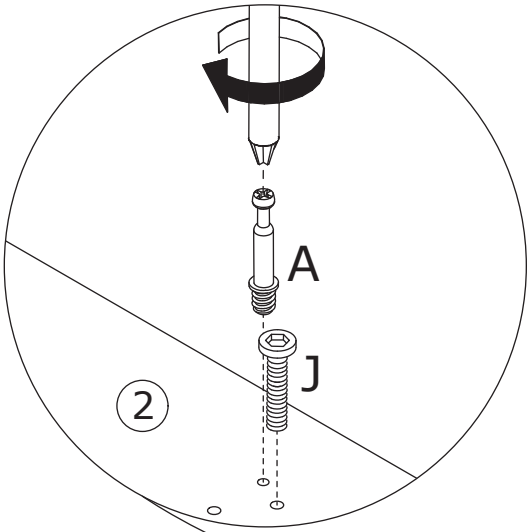
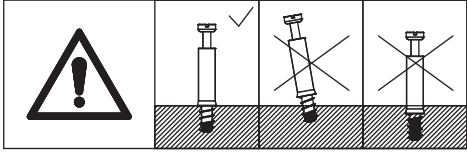
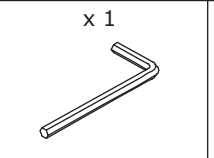
STEP 2: Push Lever UP
Empujar hacia arriba
Levier le levier



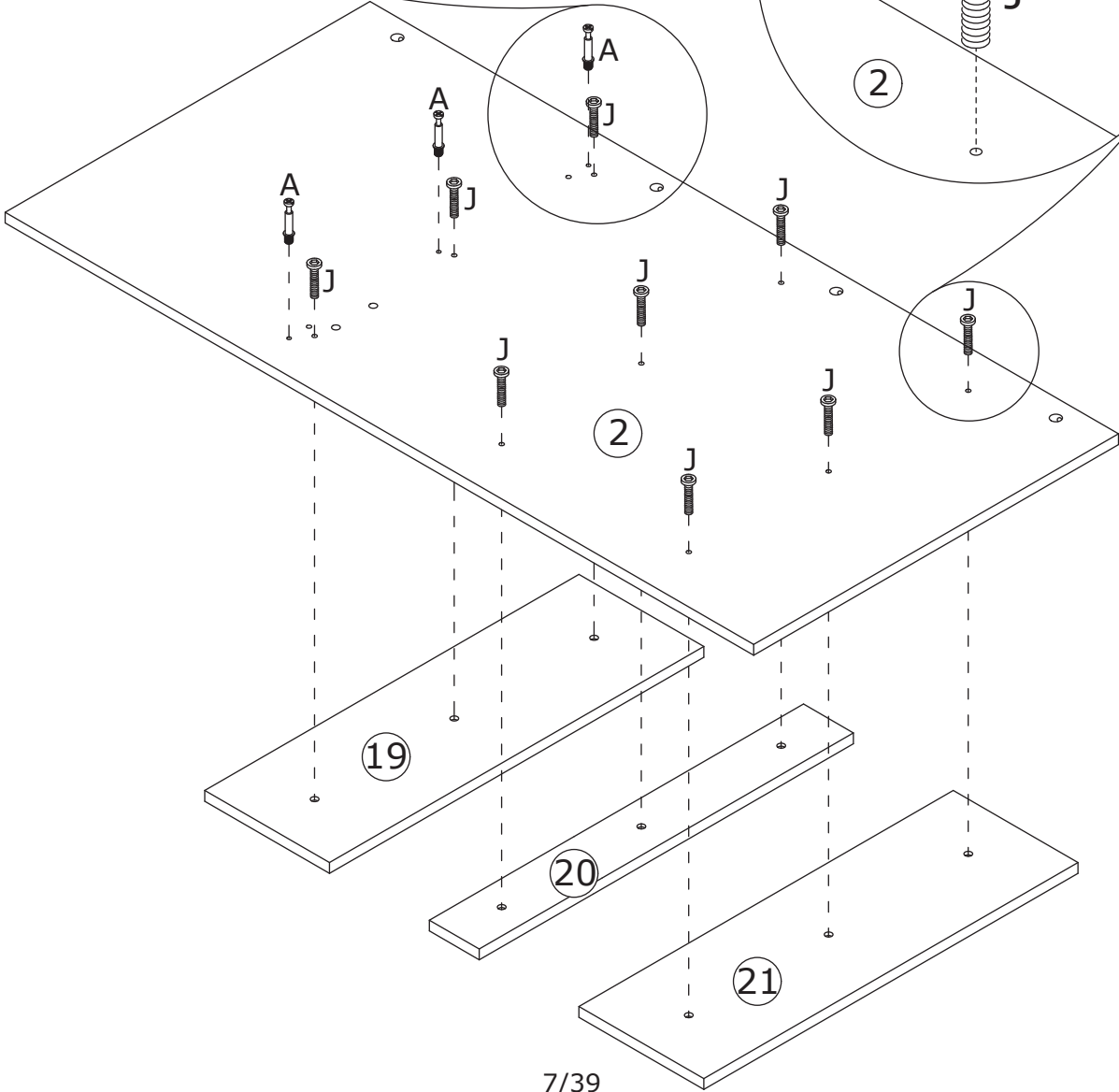
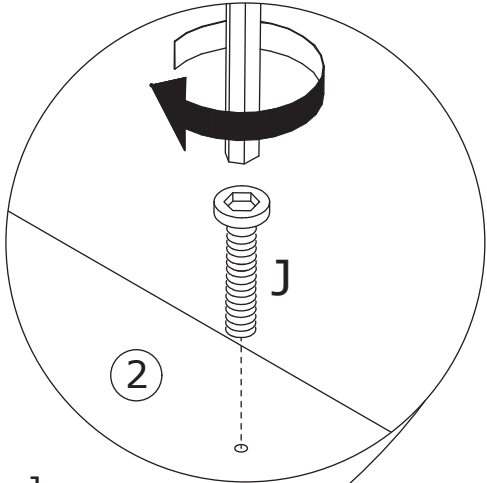
STEP 3: Remove Runner
Quitar el corredor
Enlever le coureur



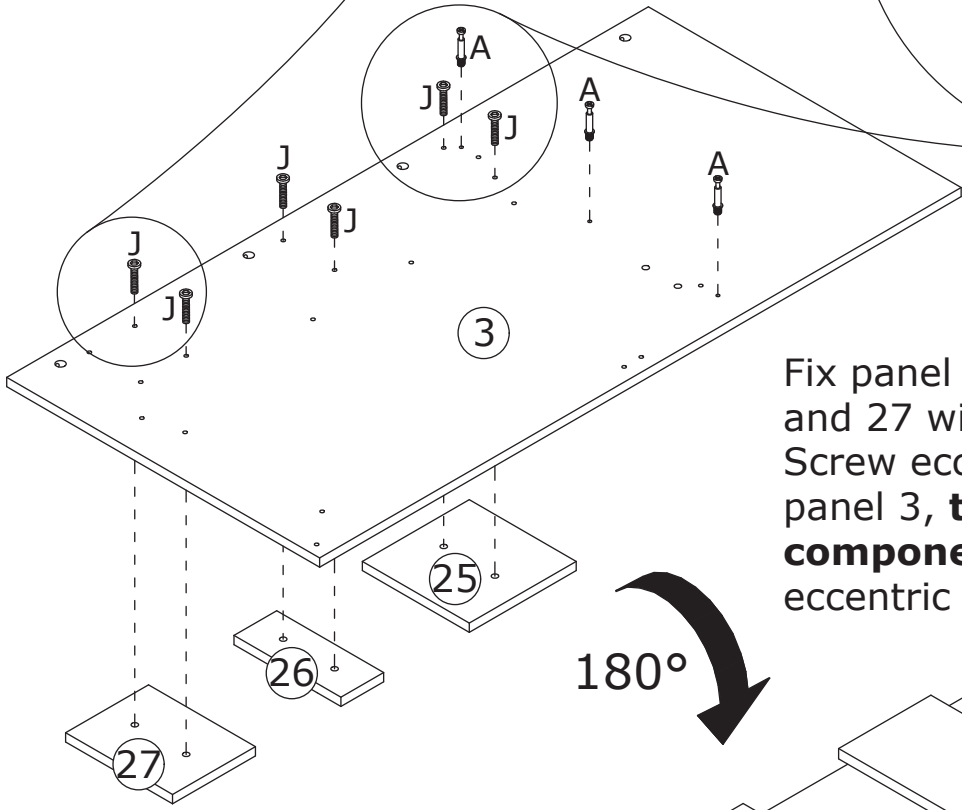
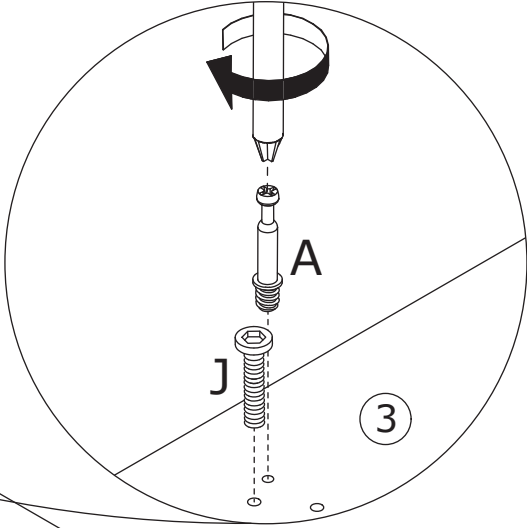
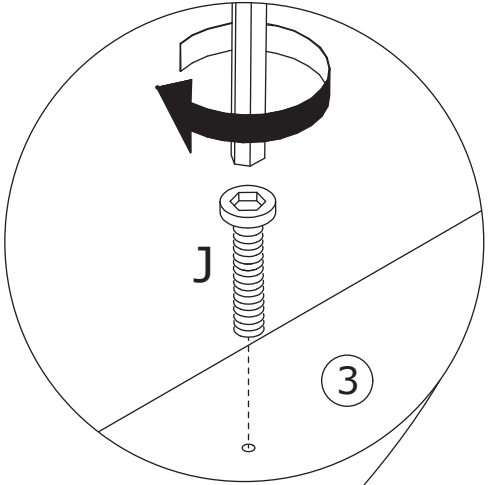
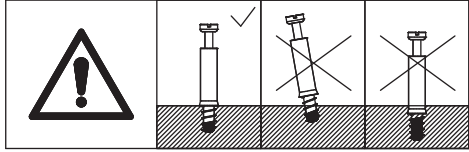
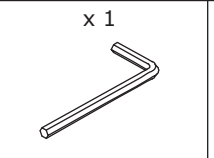
1



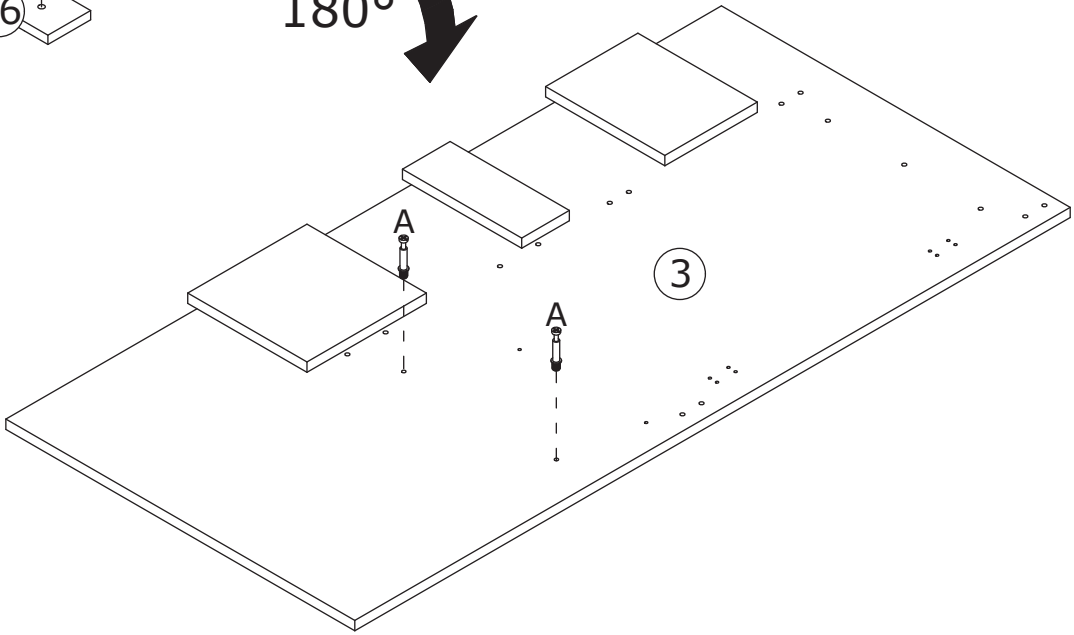
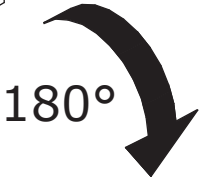
Fix panel 2 to panel 19, 20 and 21 with screw(J) as shown.
Screw eccentric rod(A) into panel 2 as shown.



2

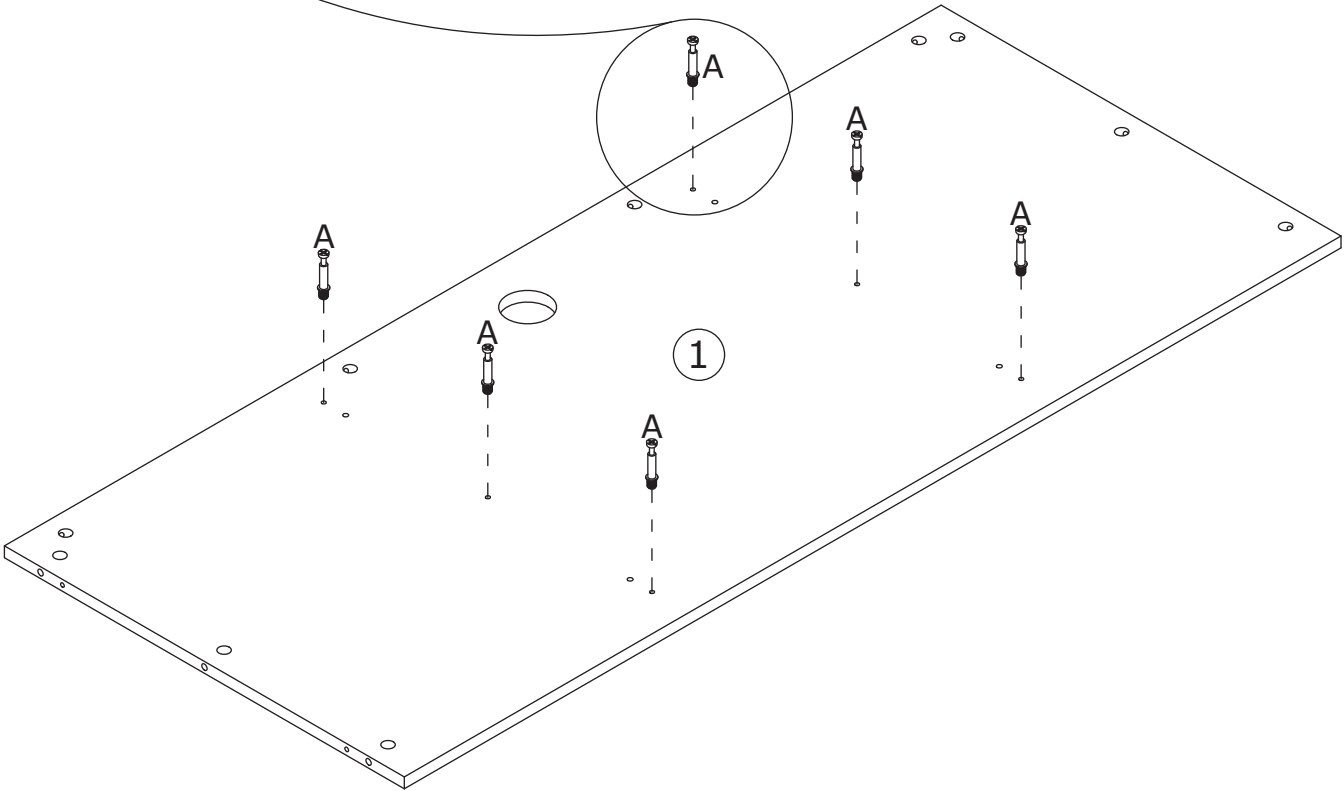
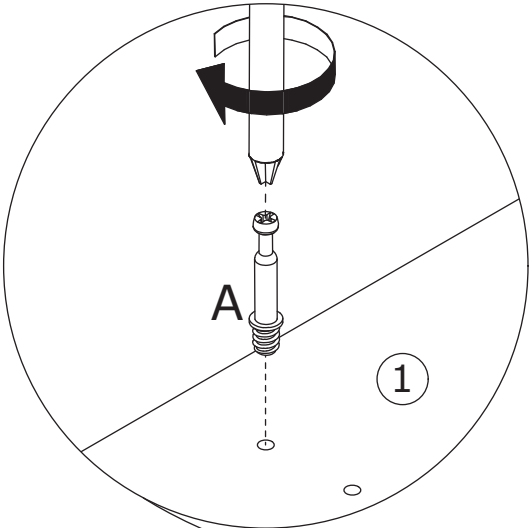
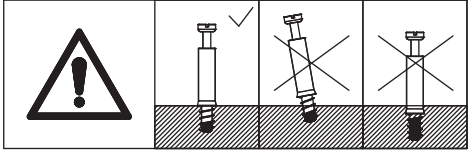


Fix panel 3 to panel 25, 26 and 27 with screw(J) as shown. Screw eccentric rod(A) into panel 3, **then flip the component to back**, screw eccentric rod(A) into as well.



3

A x 6
CRA0635A



Screw eccentric rod(A) into panel 1 at first.

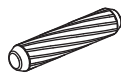
4

B x 6

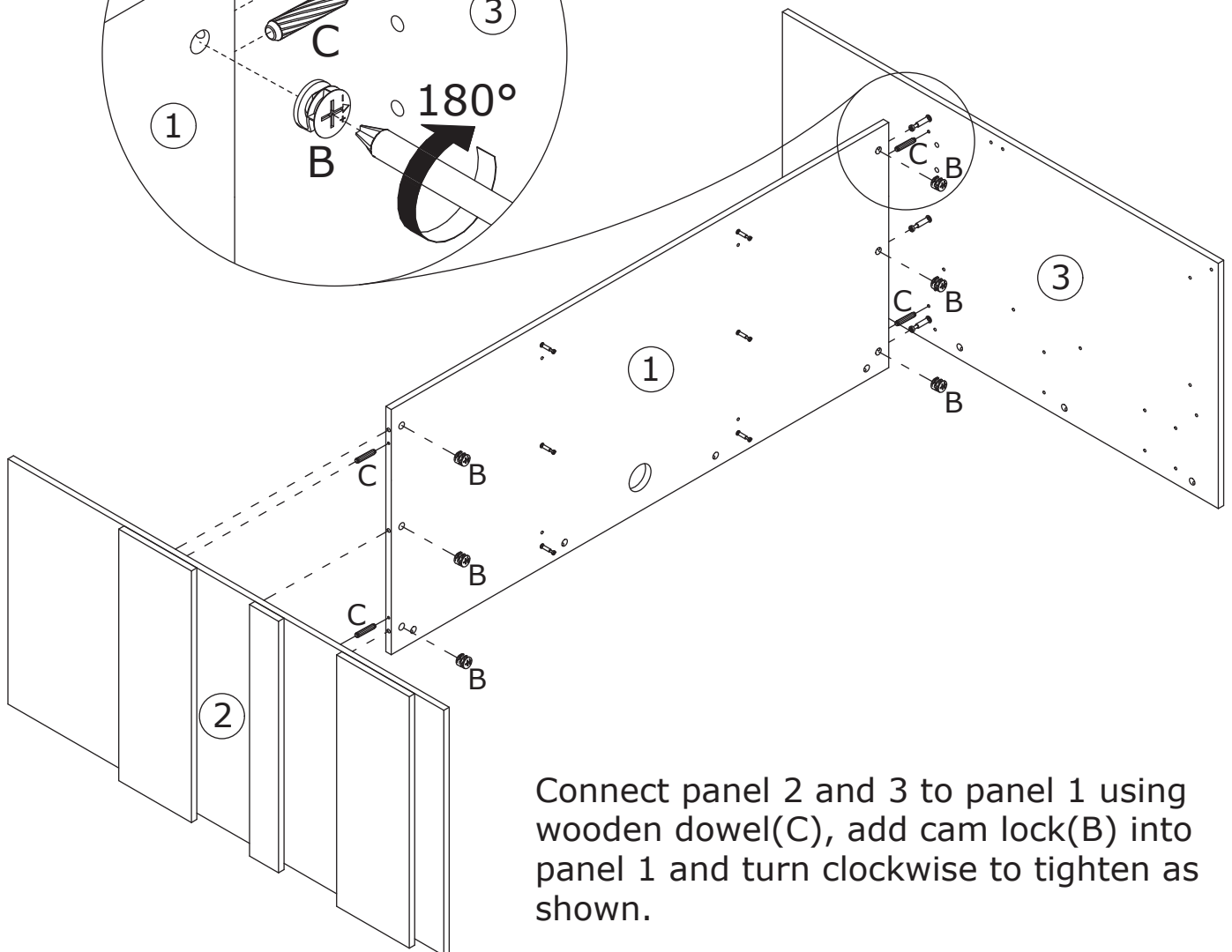
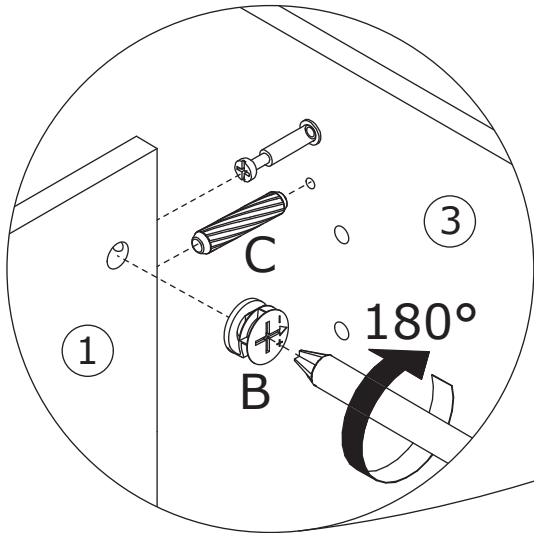
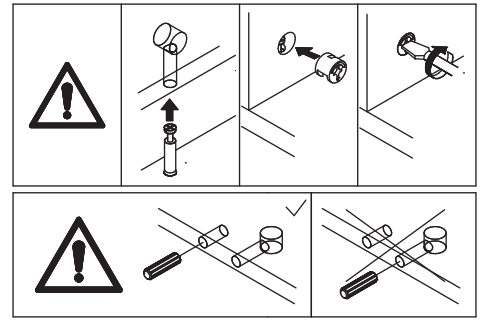
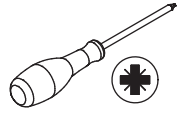


CRB1595A

C x 4



CRF0630A

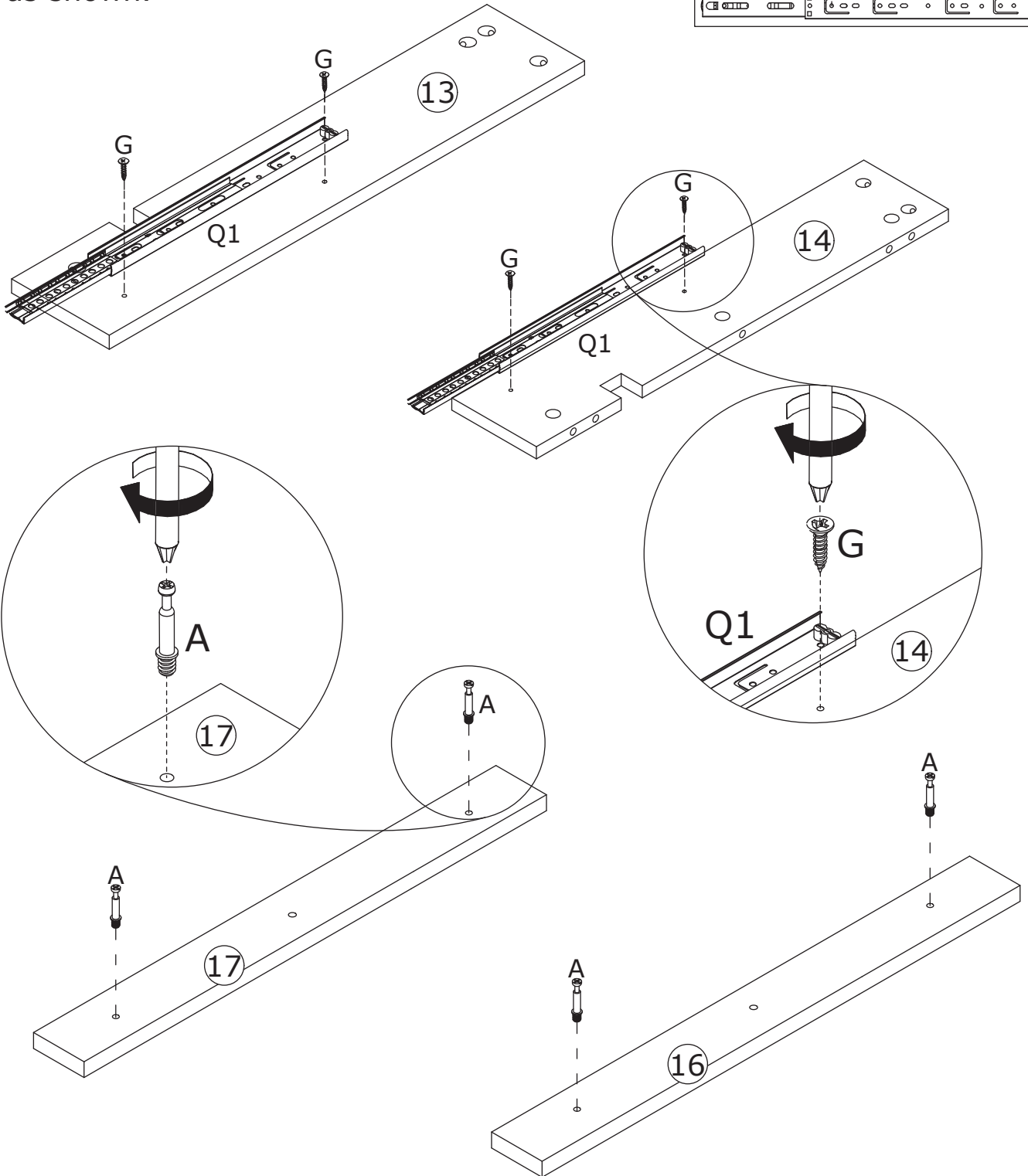
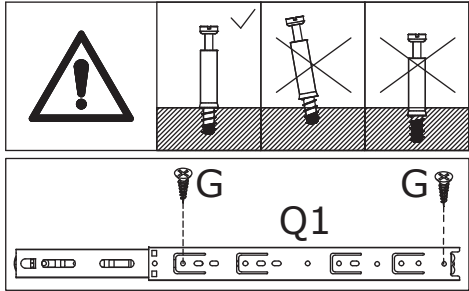


Connect panel 2 and 3 to panel 1 using wooden dowel(C), add cam lock(B) into panel 1 and turn clockwise to tighten as shown.

6




Separate the glide into two parts at first.
Fix rail(Q) to panel 13 and 14 with screw(G)
as shown.
Screw eccentric rod(A) into panel 16 and 17
as shown.



7

B x 4
CRB1595A



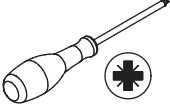

C x 2
CRF0630A



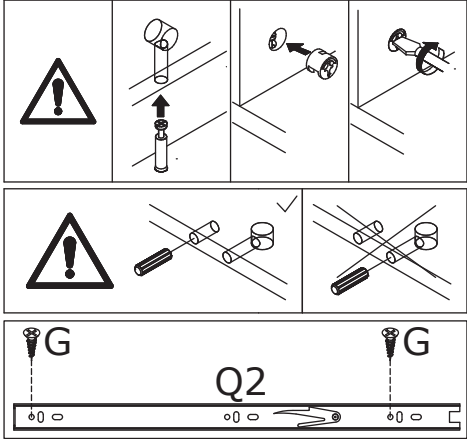
G x 4
CRD3514A



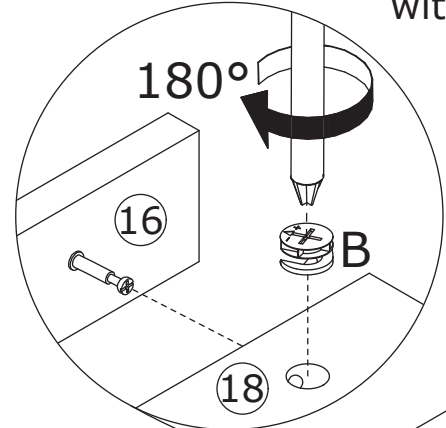
Q x 2
#3508 12"



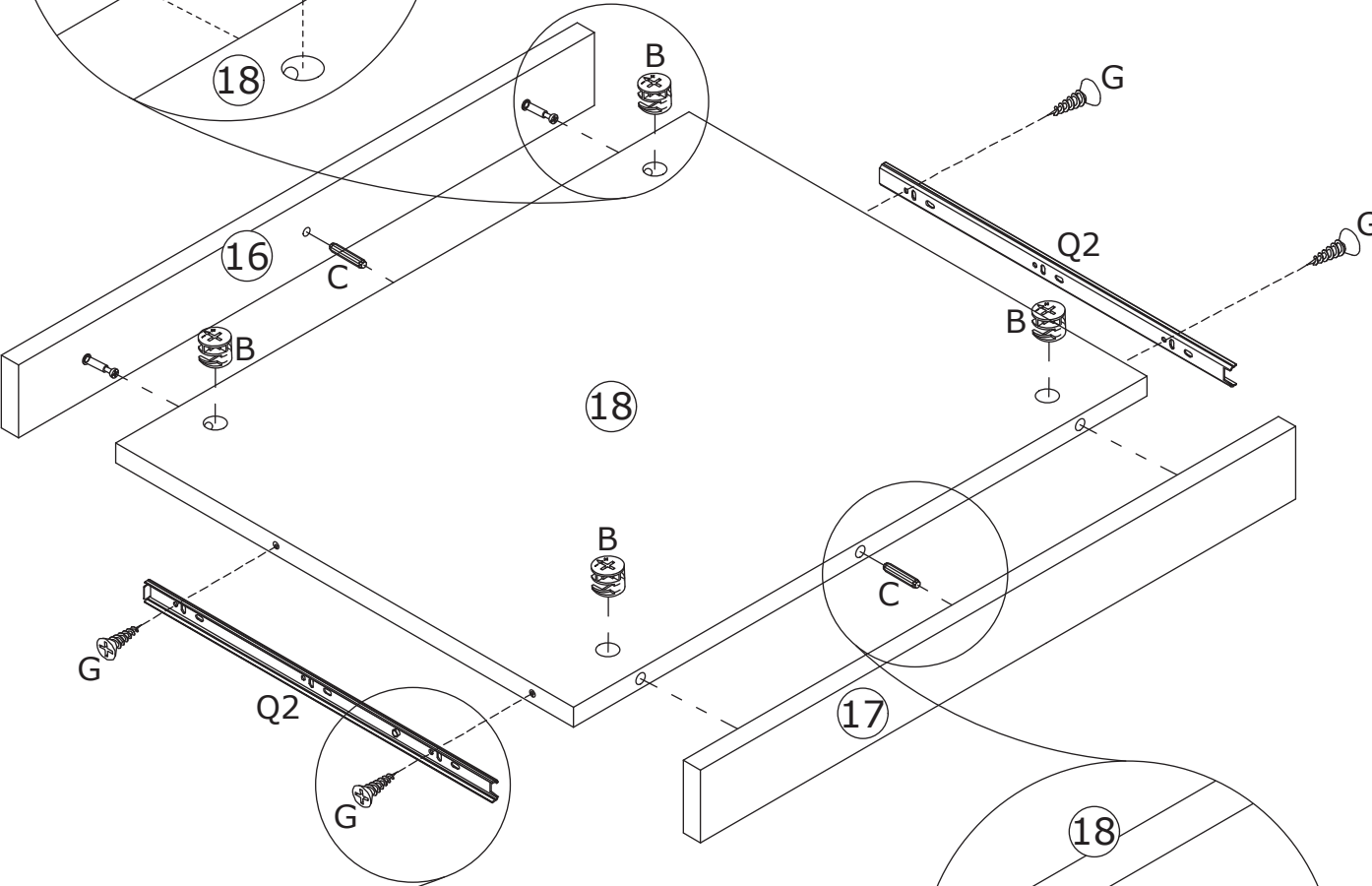
Fix runner(Q) to panel 18 with screw(G) as shown.



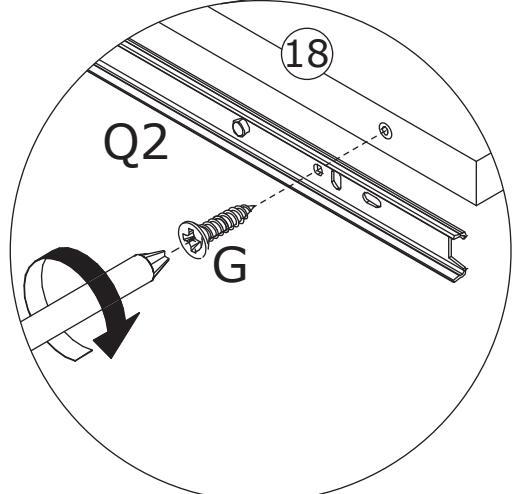
Warning icons: exclamation mark in a triangle, exclamation mark in a triangle with a checkmark, and exclamation mark in a triangle with a cross. Assembly diagrams show the correct way to align and secure the runner Q to panel 18 using screws G.



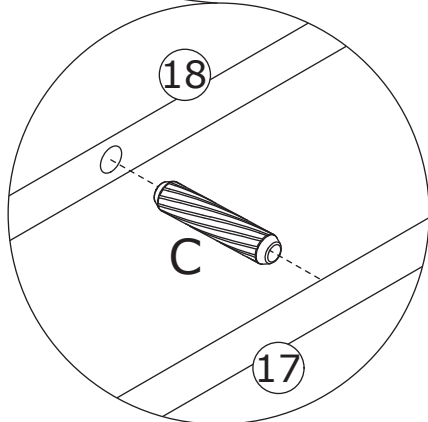
Inset diagram showing a cam lock B being inserted into panel 18. A curved arrow indicates a 180-degree rotation to align the cam with the lock mechanism.



Main assembly diagram showing three panels (16, 17, and 18) being joined. Panel 18 is the central base. Panels 16 and 17 are attached to panel 18 using wooden dowels C. Cam locks B are inserted into panel 18 and secured with screws G. A runner Q is attached to panel 18 with screws G.



Inset diagram showing a cam lock B being tightened into panel 18. A curved arrow indicates a clockwise rotation of the cam lock.



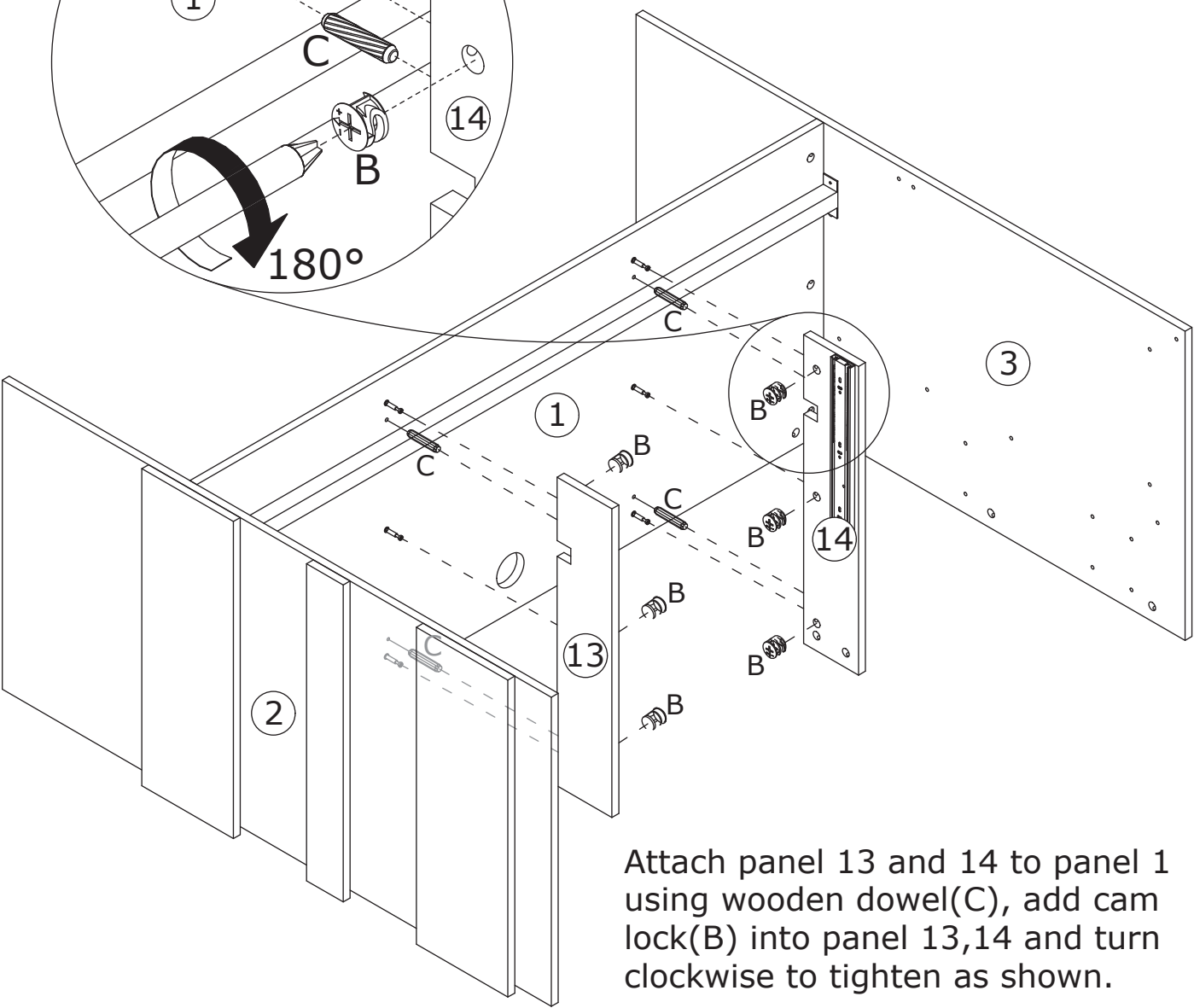
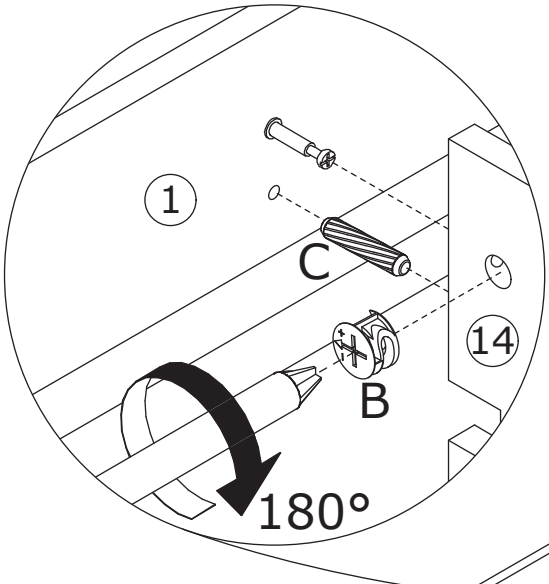
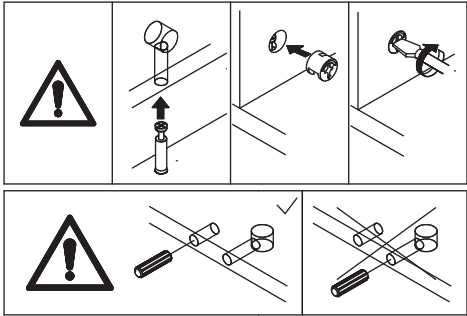
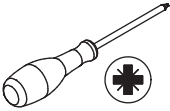
Inset diagram showing a wooden dowel C being inserted into panel 17 to connect it to panel 18.

Connect panel 16 and 17 to panel 18 using wooden dowel(C), add cam lock(B) into panel 18 and turn clockwise to tighten as shown.

8

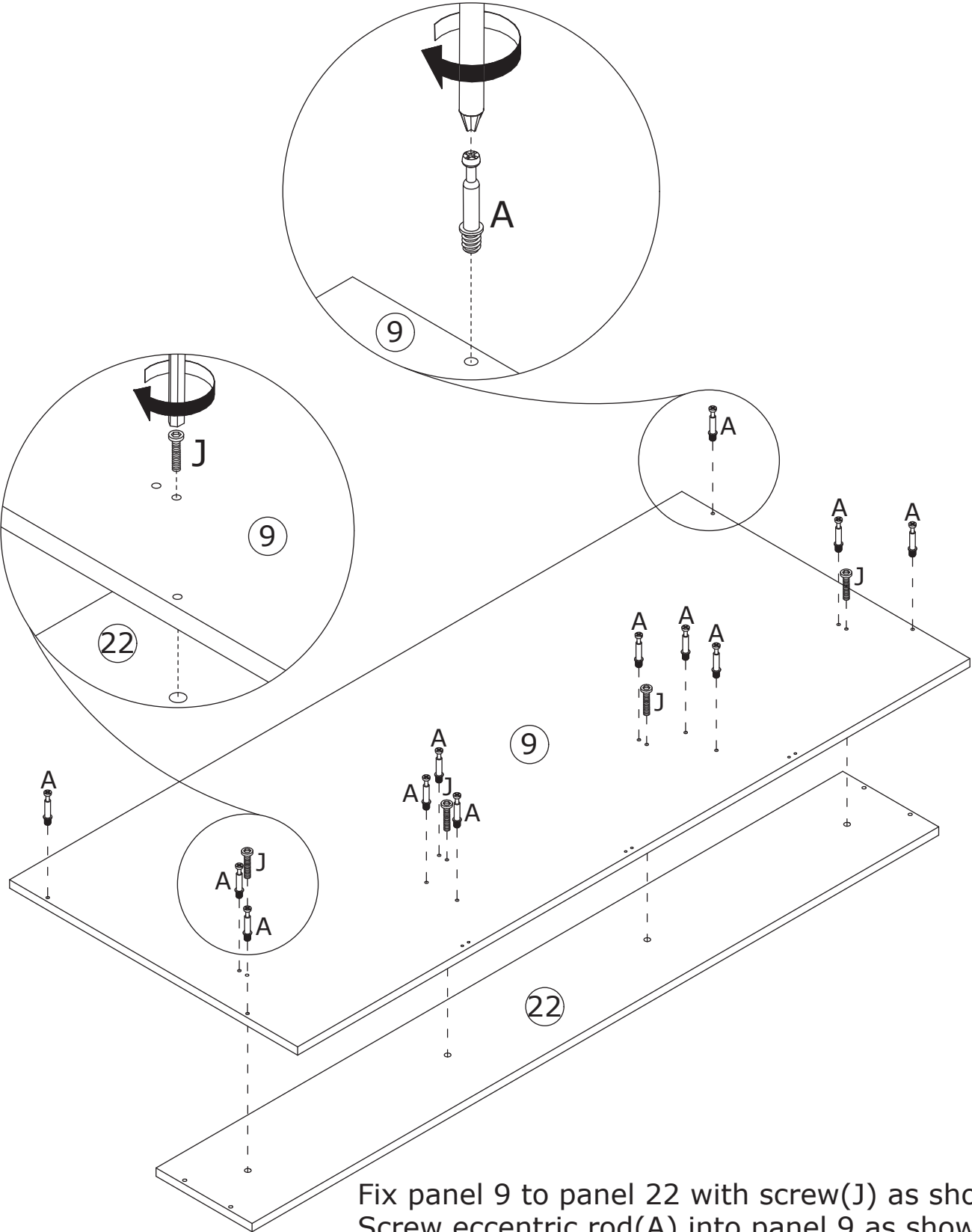
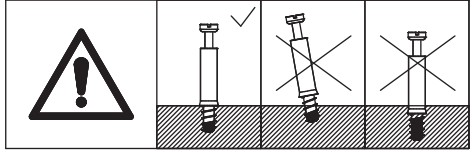
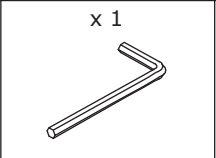
B x 6
CRB1595A

C x 4
CRF0630A



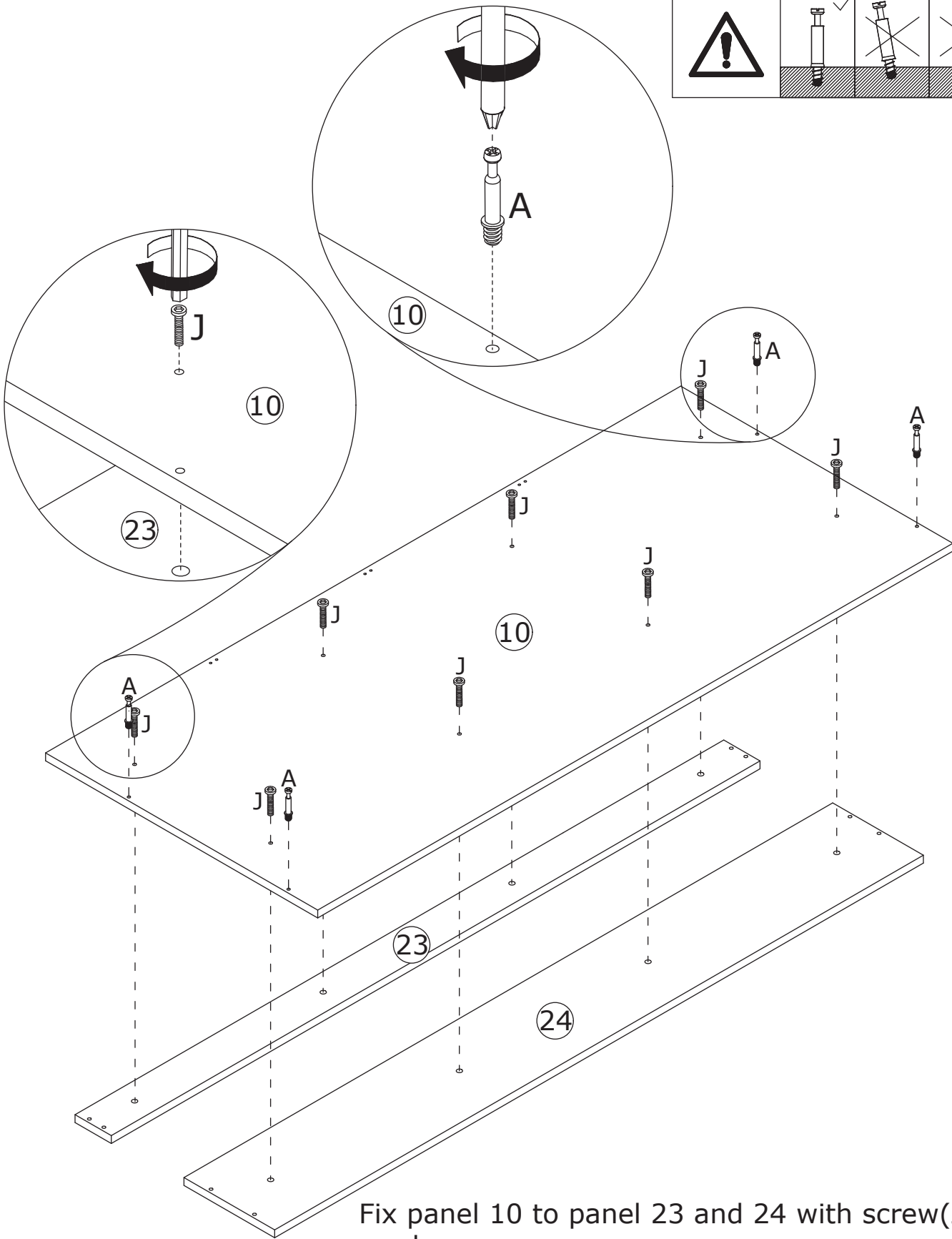
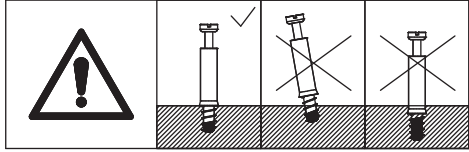
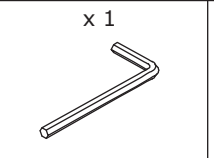
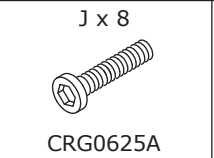
Attach panel 13 and 14 to panel 1 using wooden dowel(C), add cam lock(B) into panel 13,14 and turn clockwise to tighten as shown.

9



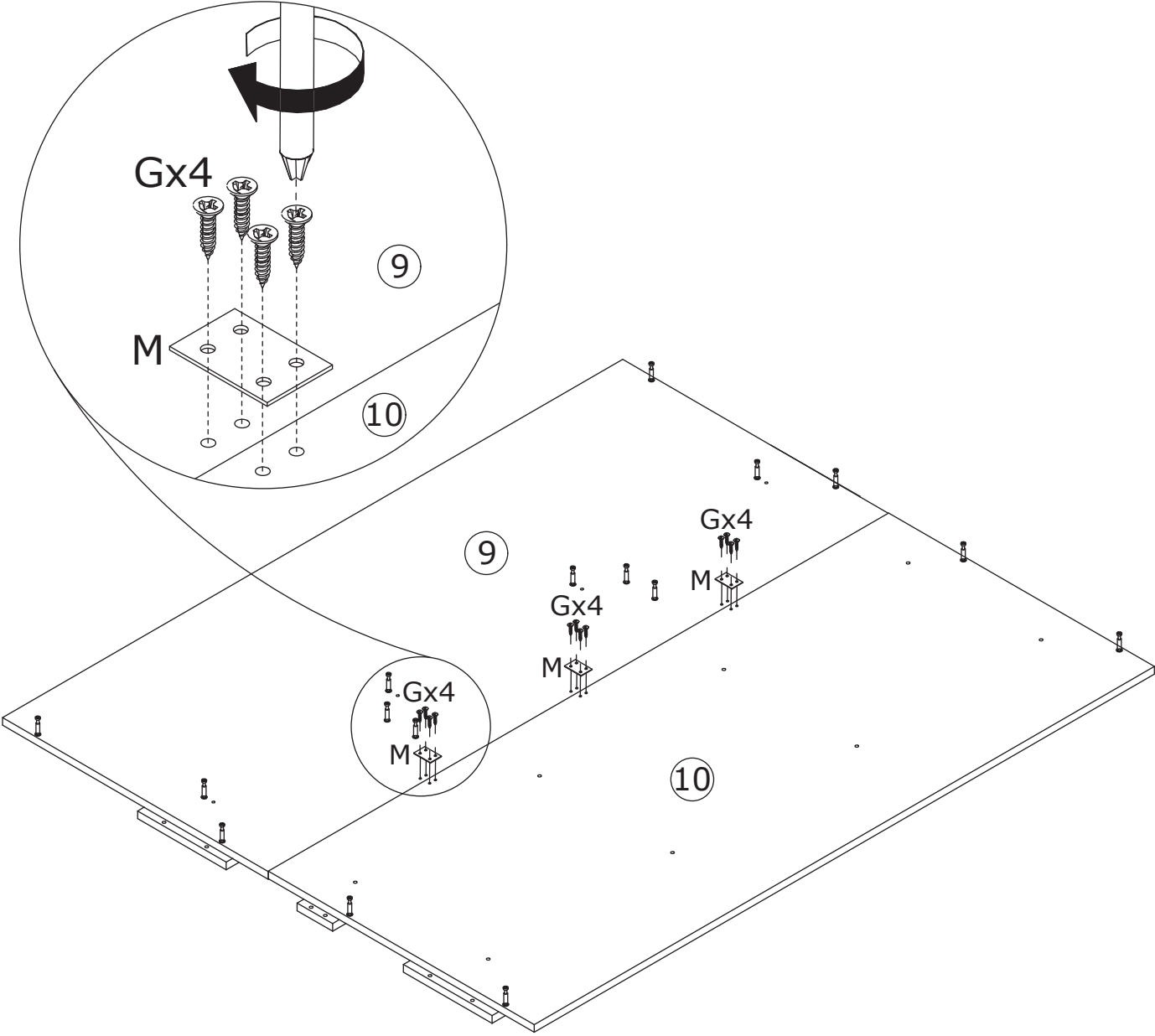
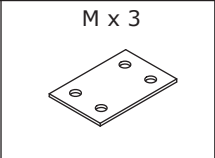
Fix panel 9 to panel 22 with screw(J) as shown.
Screw eccentric rod(A) into panel 9 as shown.

10



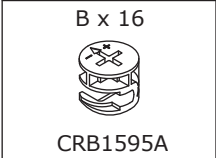
Fix panel 10 to panel 23 and 24 with screw(J) as shown.
Screw eccentric rod(A) into panel 10 as shown.

11

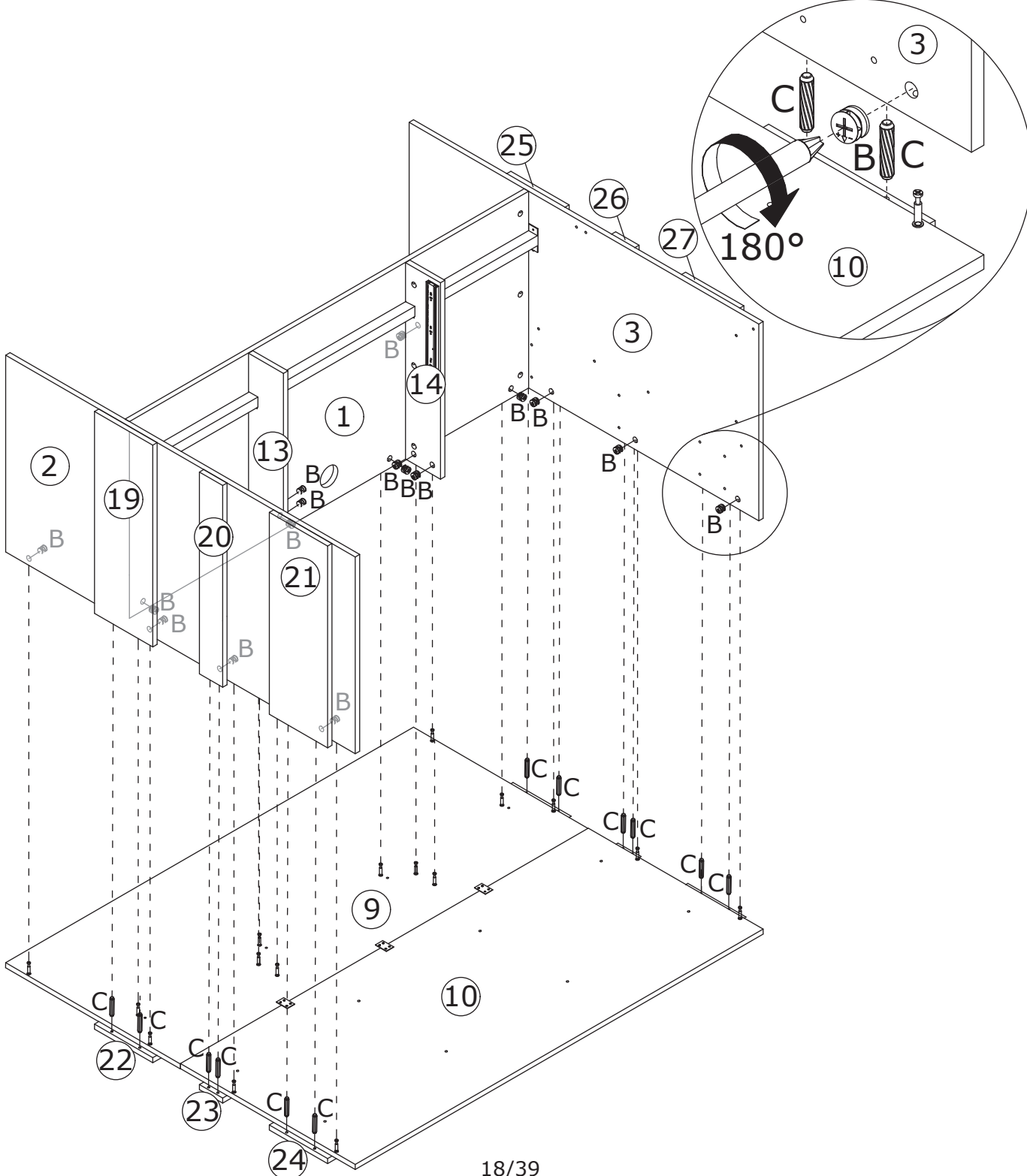
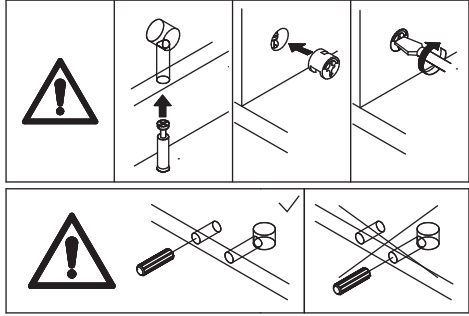


Fix iron sheet(M) to panel 9 and 10 with screw(G) as shown.

12



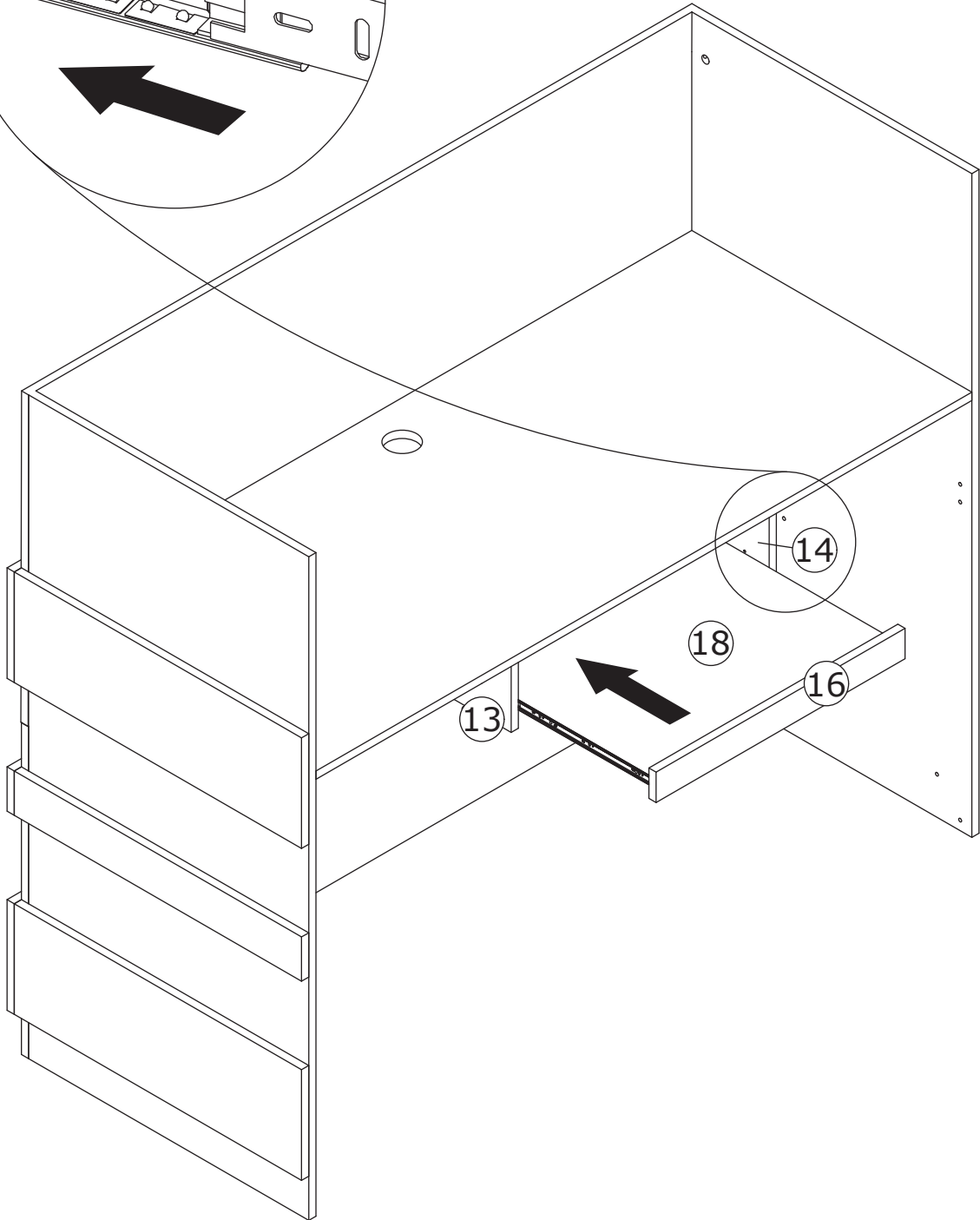
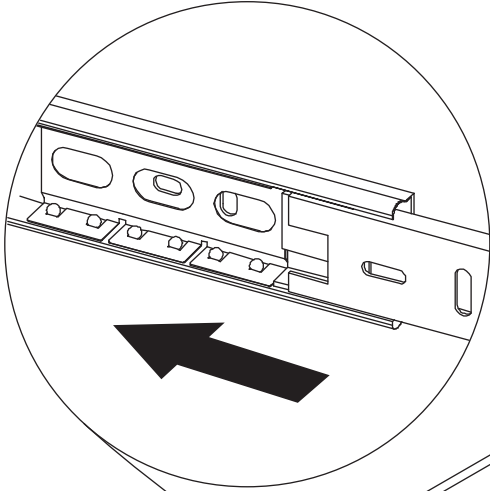
Insert wooden dowel(C) into panel 19, 20, 21, 25, 26 and 27 only at first.
Attach the component(assembled in step 8) to panel 9 and 10, add cam lock(B) into panel 2,1,13,14,3 and turn clockwise to tighten as shown.



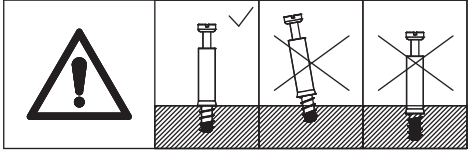
13



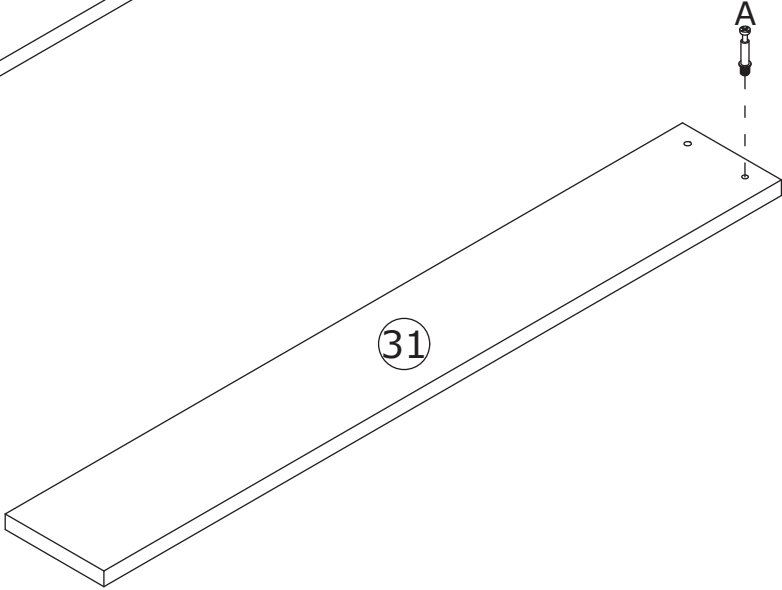
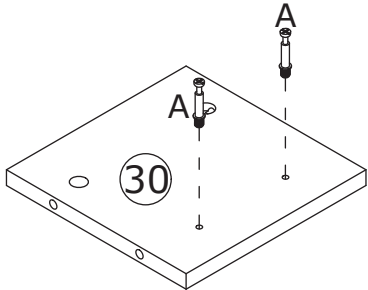
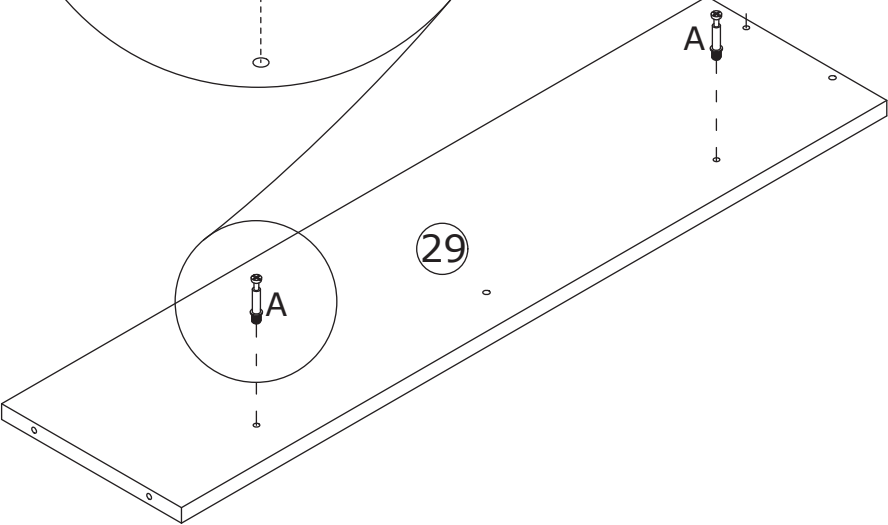
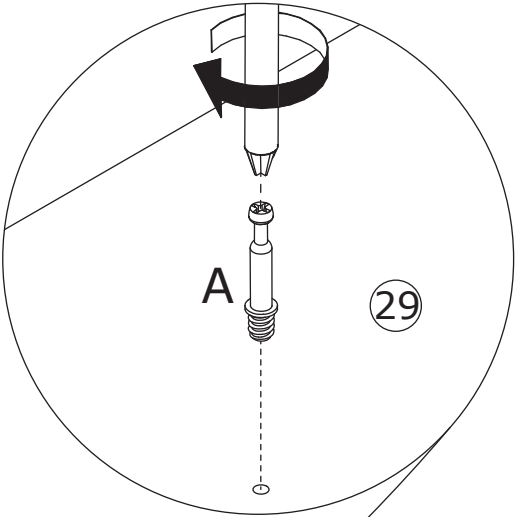
Align rails, insert keyboard tray in.




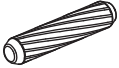
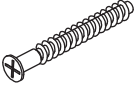
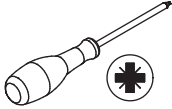
14

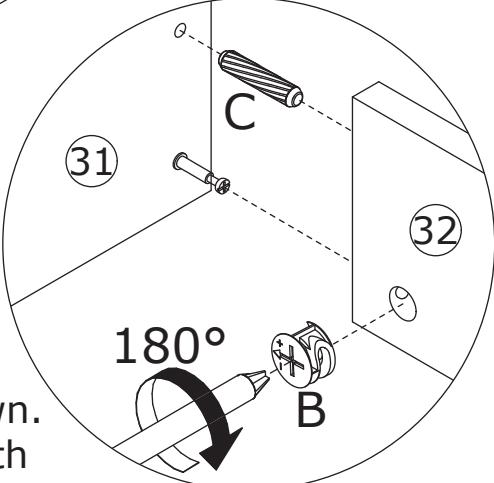
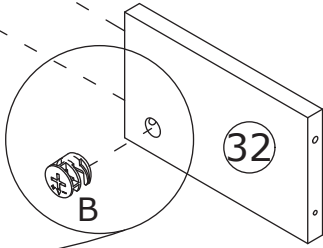
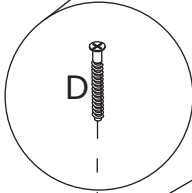
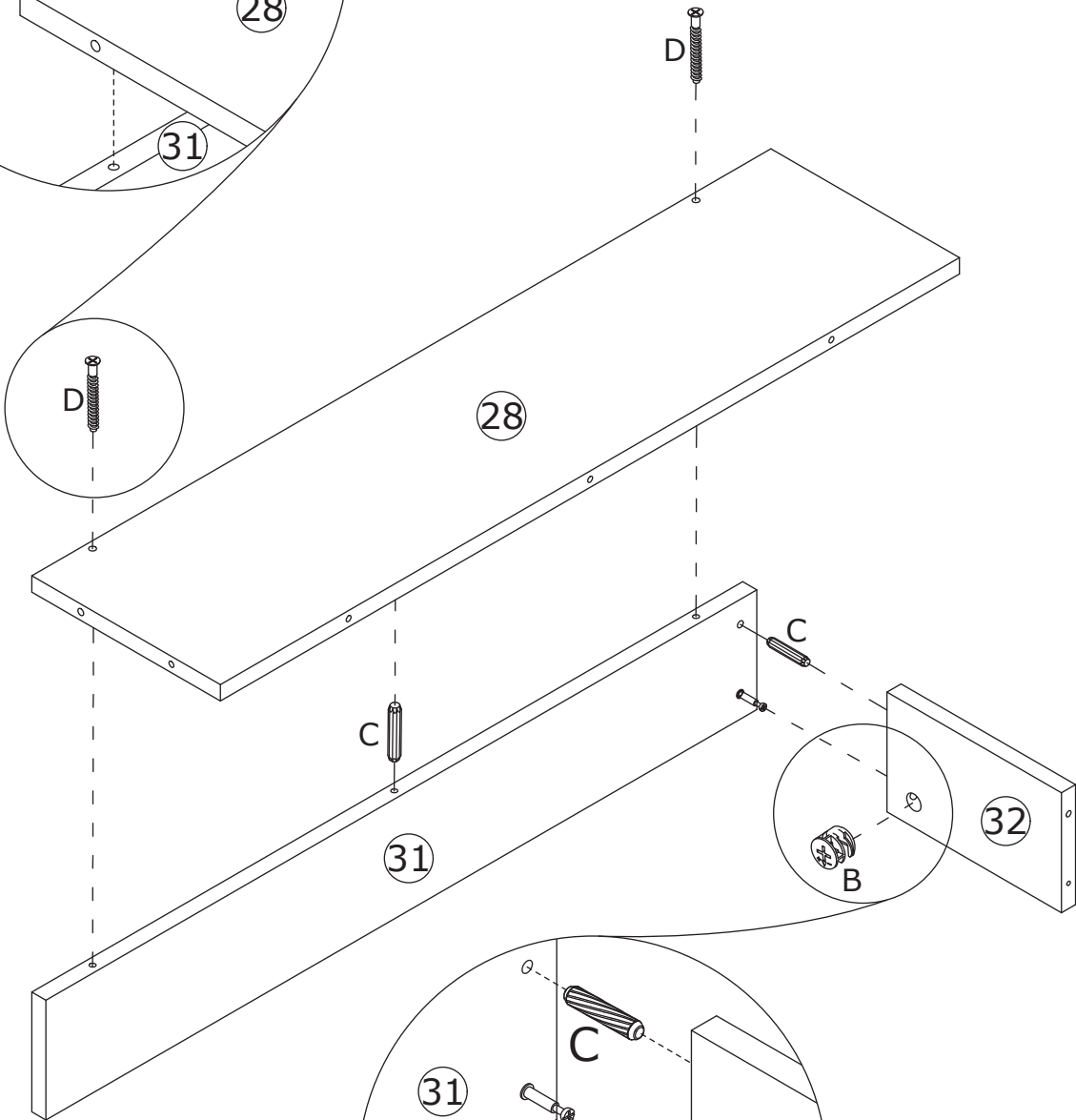
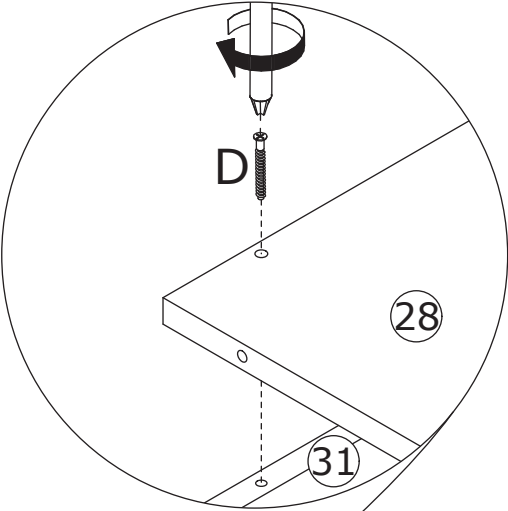
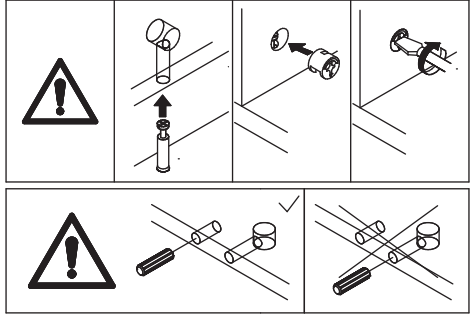


Screw eccentric rod(A) into panel 29, 30 and 31 at first.



15

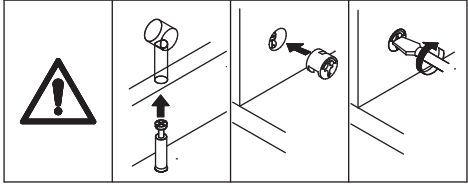
B x 1  CRB1595A	C x 2  CRF0630A	D x 2  CRC0540A	
--	--	--	---



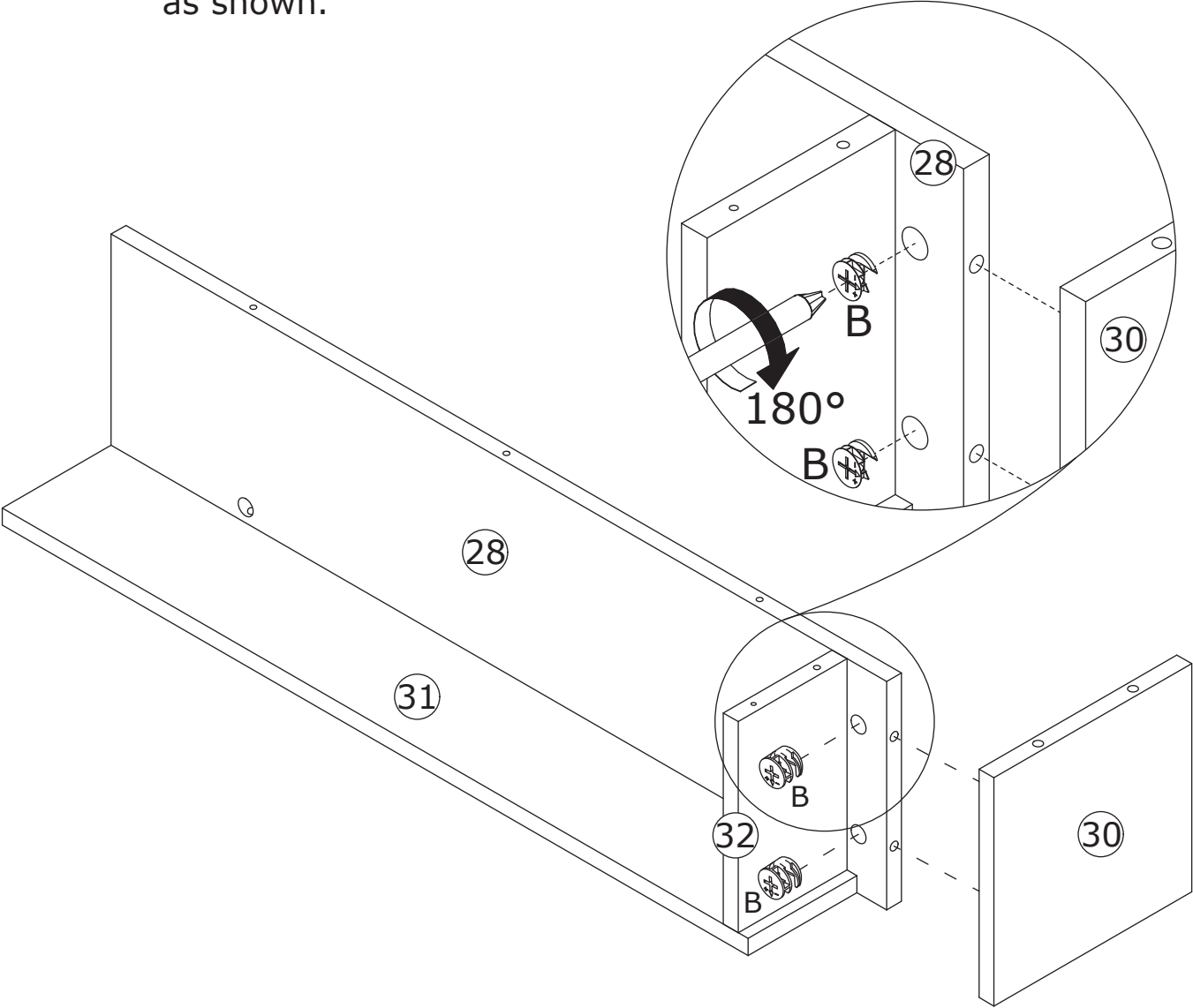
Attach panel 32 and 28 to panel 31 using wooden dowel(C), add cam lock(B) into panel 32 and turn clockwise to tighten as shown. Fix board 28 to board 31 with screw(D) as shown.

16

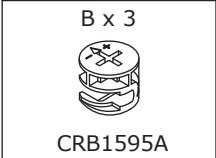
B x 2
CRB1595A



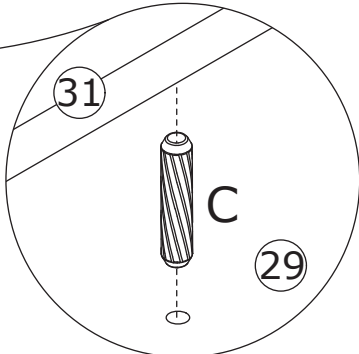
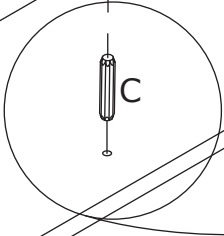
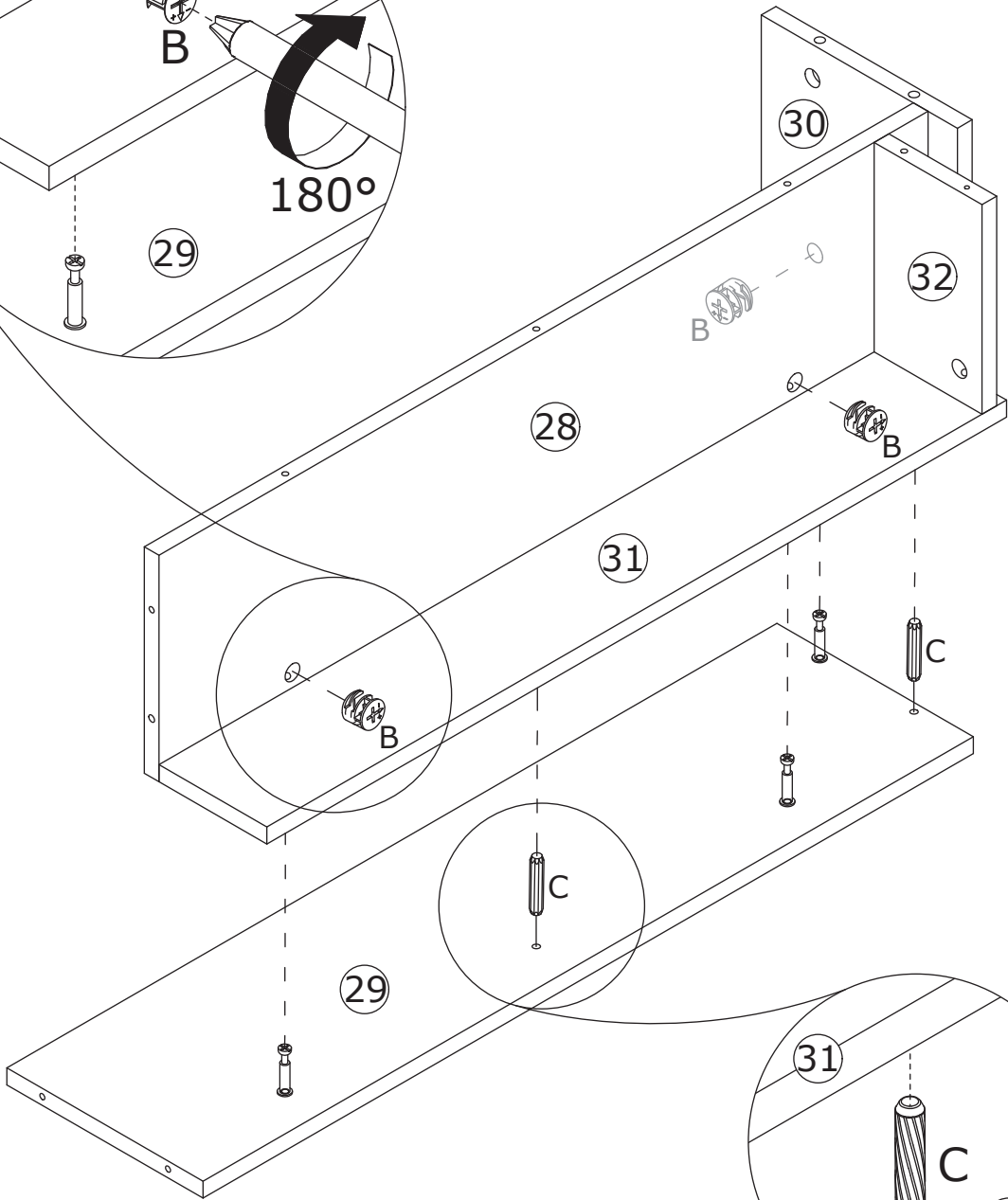
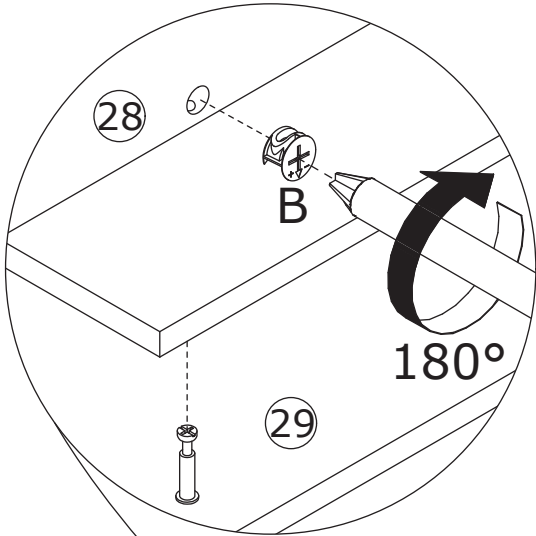
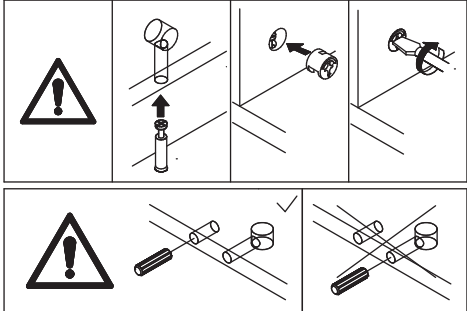
Attach panel 30 to panel 28,
add cam lock(B) into panel 28
and turn clockwise to tighten
as shown.



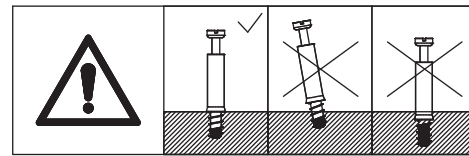
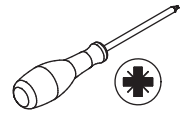
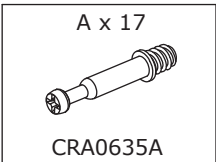
17



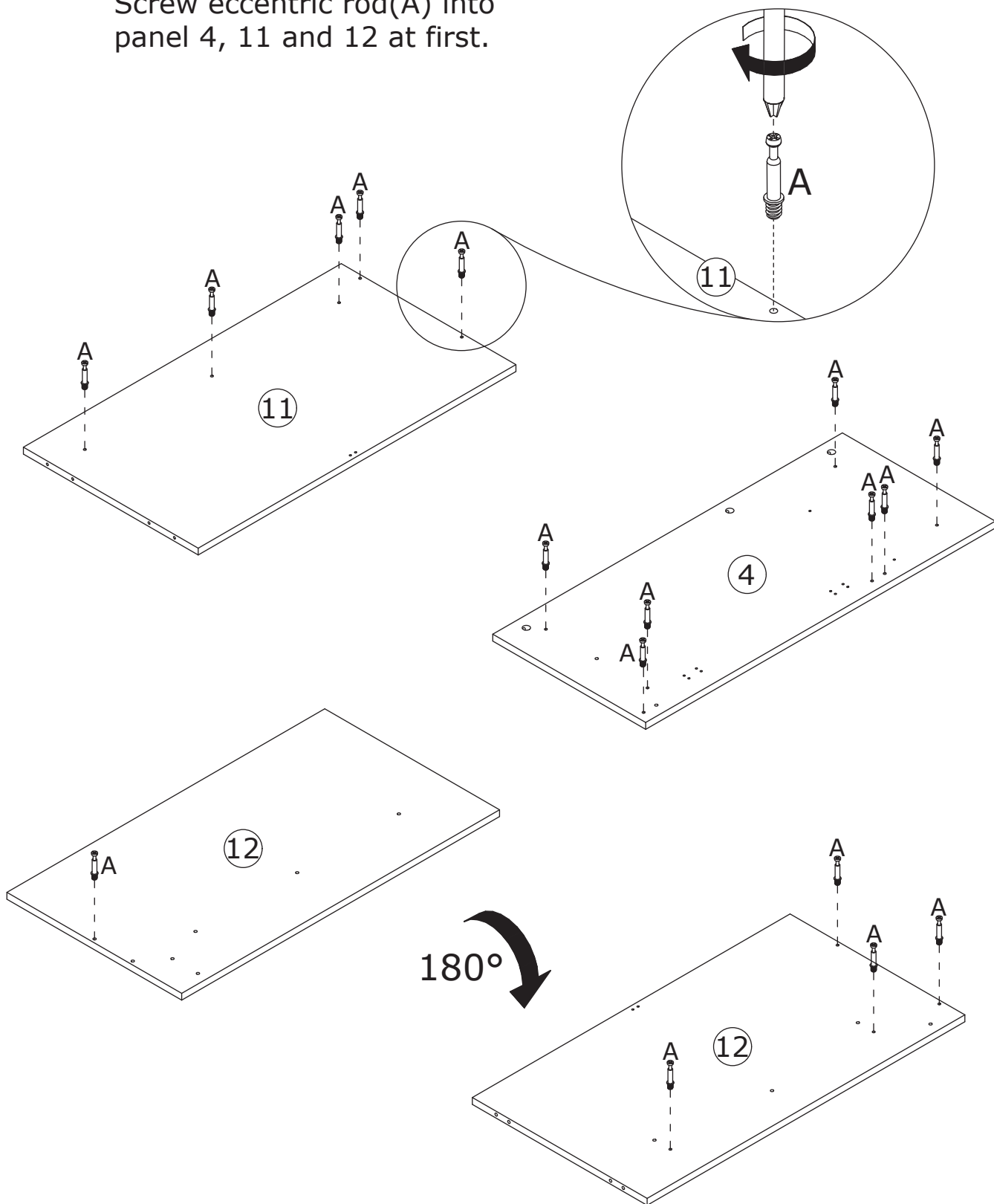
Attach panel 30 and 28 to panel 29 using wooden dowel(C), add cam lock(B) into panel 30,28 and turn clockwise to tighten as shown.



18



Screw eccentric rod(A) into panel 4, 11 and 12 at first.



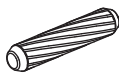
19

B x 1



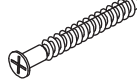
CRB1595A

C x 3

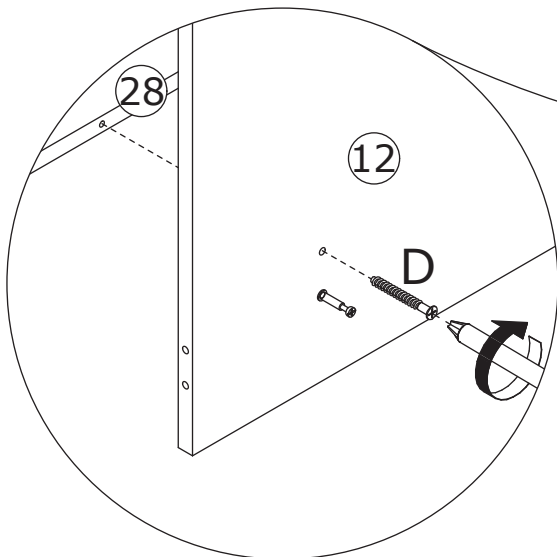
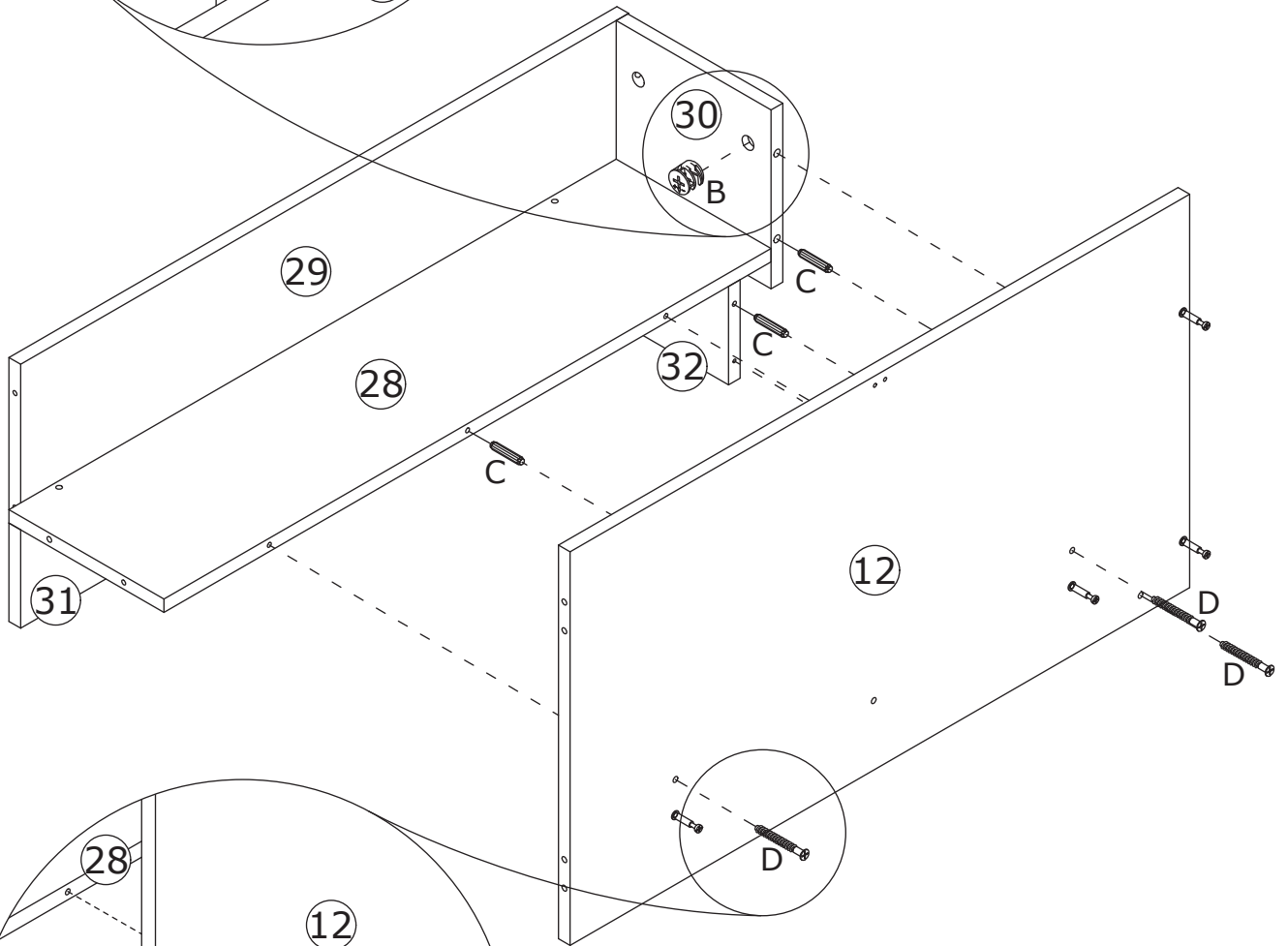
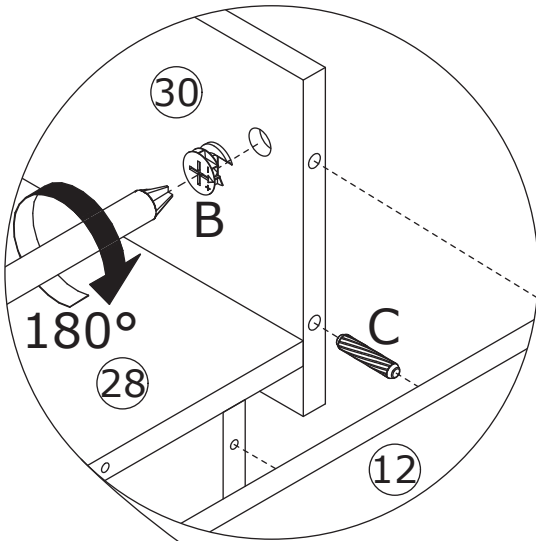
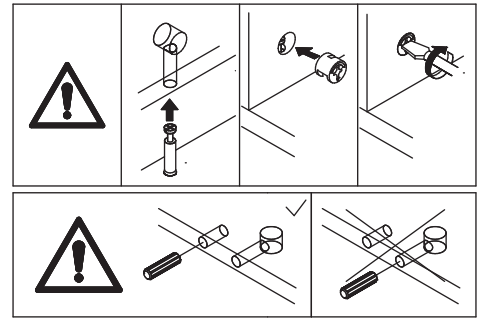
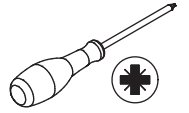


CRF0630A

D x 3



CRC0540A



Attach panel 12 to panel 28, 30 and 32 using wooden dowel(C), add cam lock(B) into panel 30 and turn clockwise to tighten as shown. Fix panel 12 to panel 28 and 32 with screw(D) as shown.

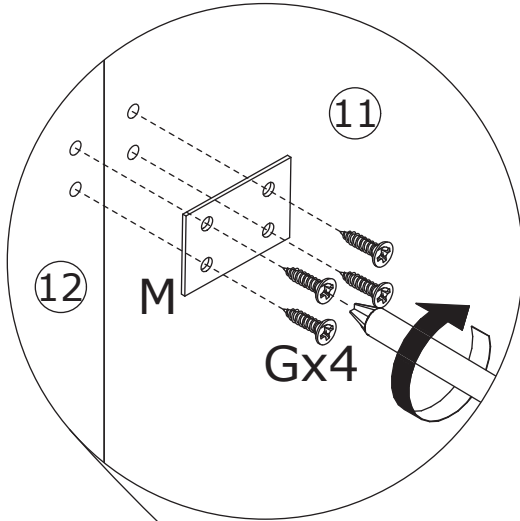
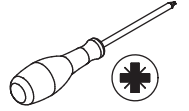
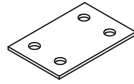
20

G x 4

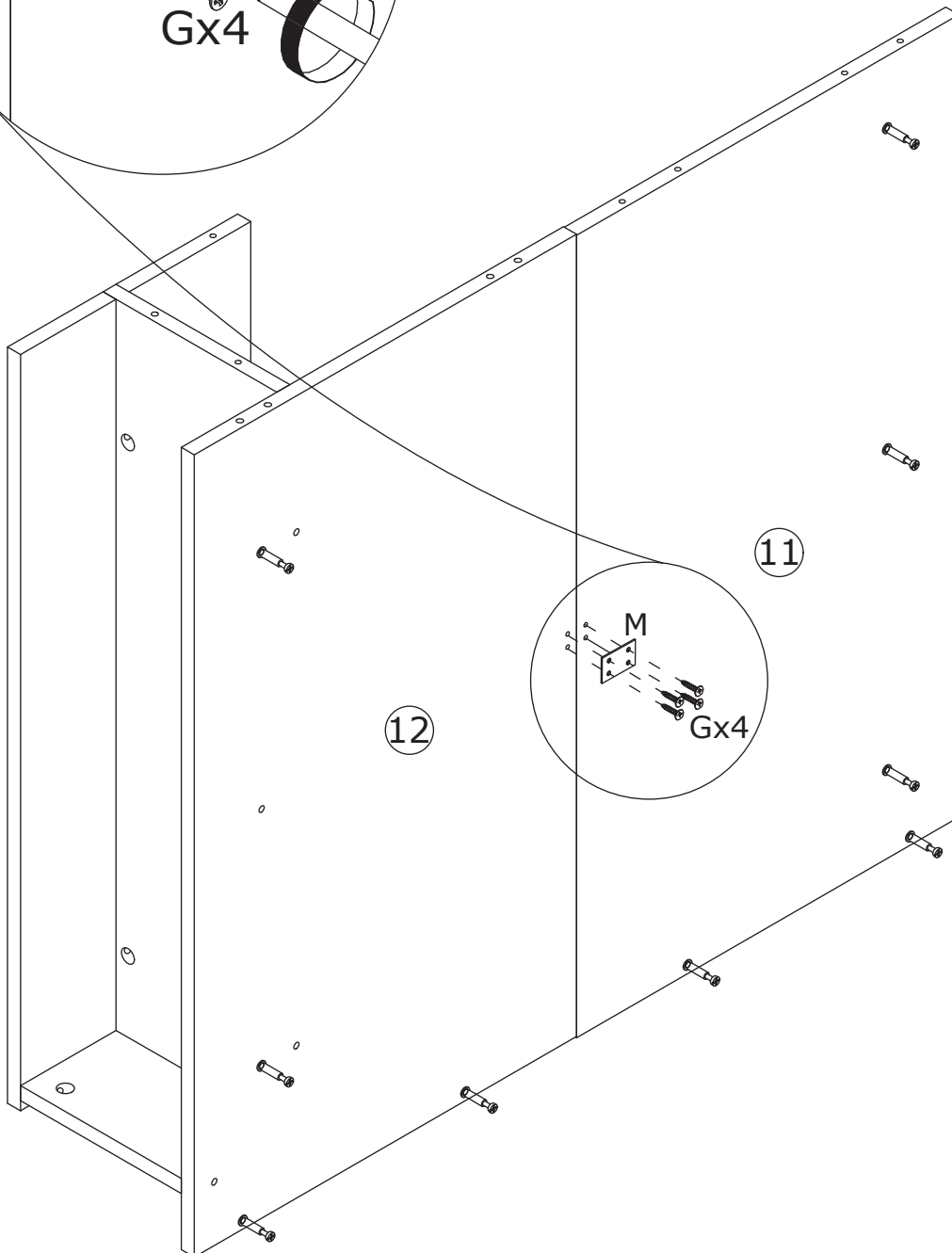


CRD3514A

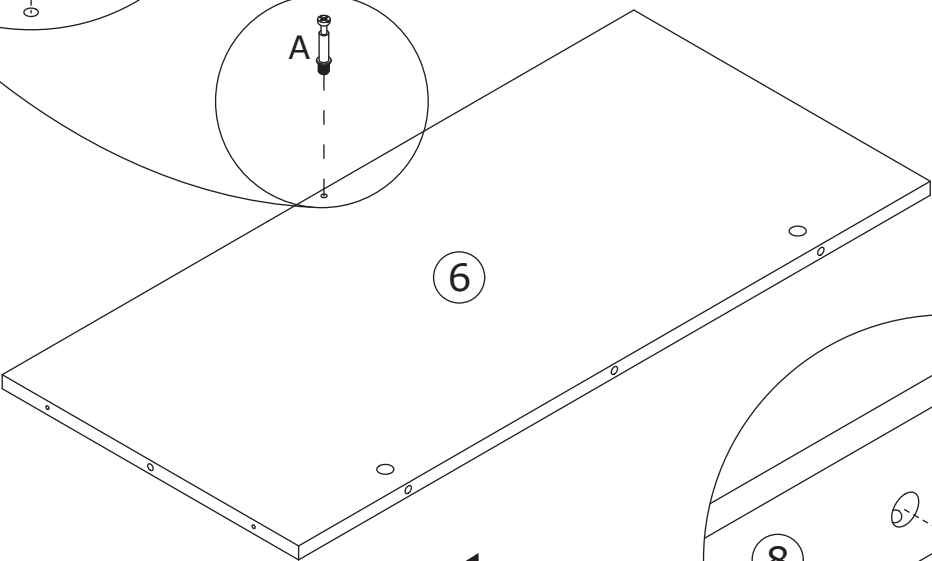
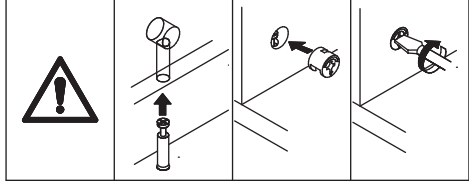
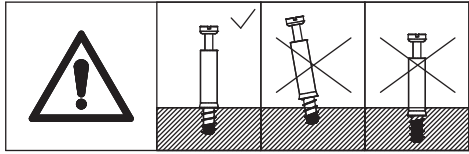
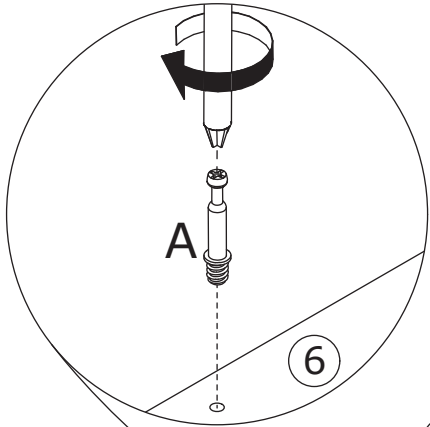
M x 1



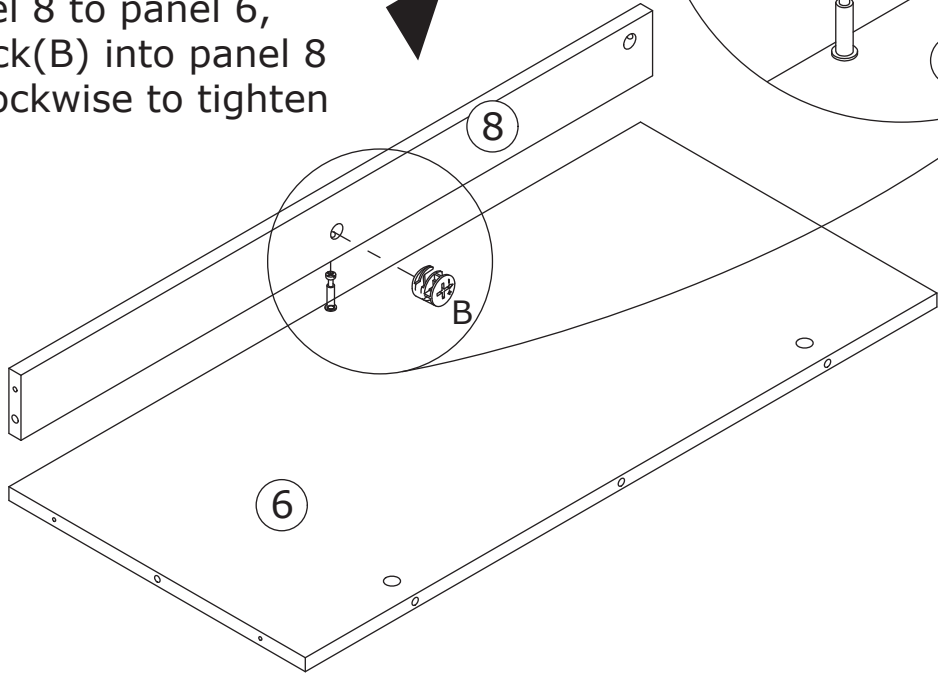
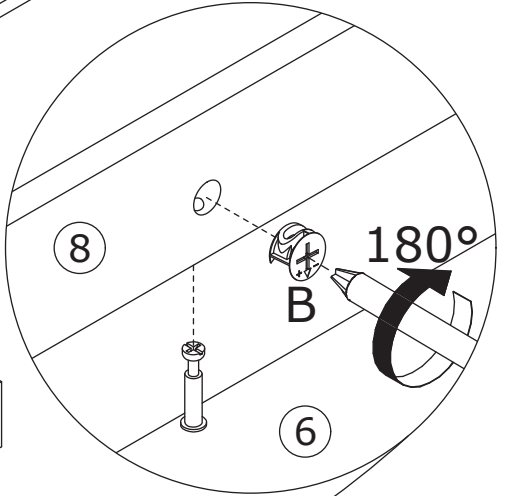
Fix iron sheet(M) to panel 11 and 12 with screw(G) as shown.



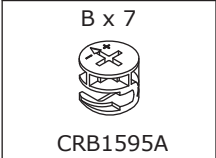
21



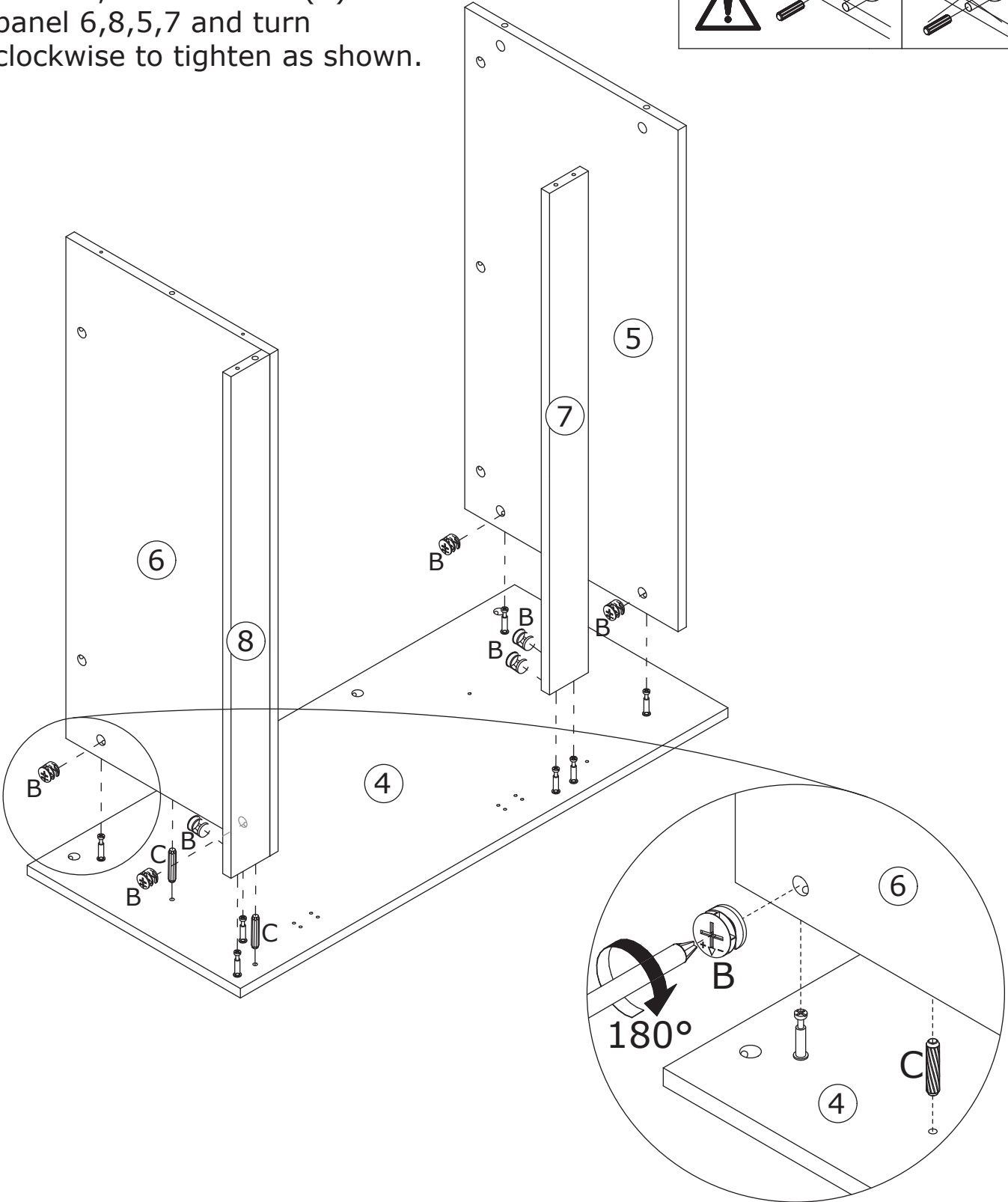
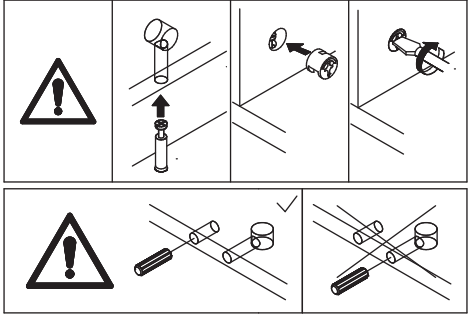
Screw eccentric rod(A)
into panel 6 at first.
Attach panel 8 to panel 6,
add cam lock(B) into panel 8
and turn clockwise to tighten
as shown.



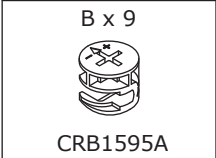
22



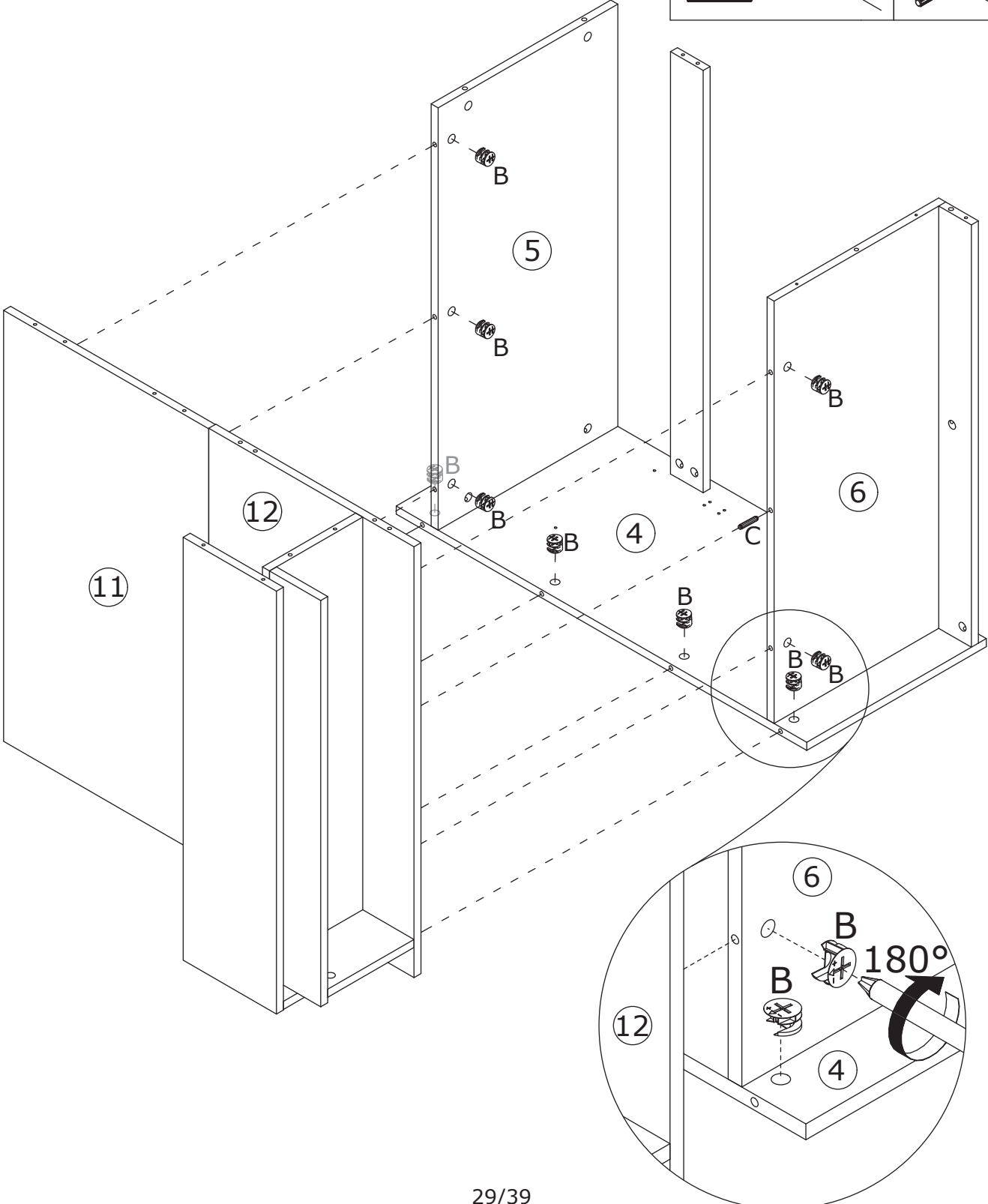
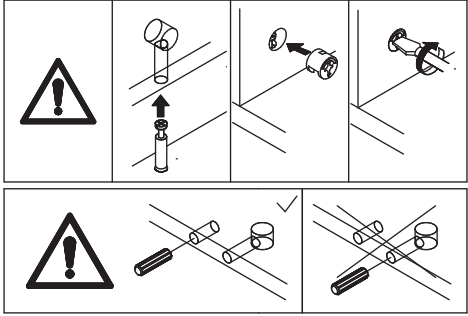
Insert wooden dowel(C) into panel 6 and 8 only at first. Attach panel 6, 8, 5 and 7 to panel 4, add cam lock(B) into panel 6,8,5,7 and turn clockwise to tighten as shown.



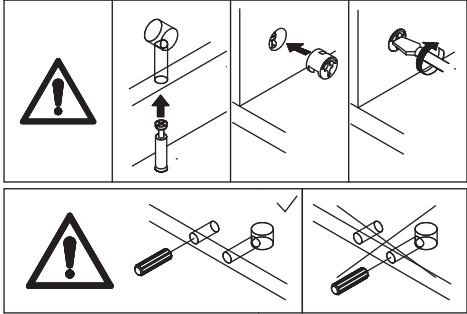
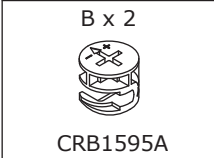
23



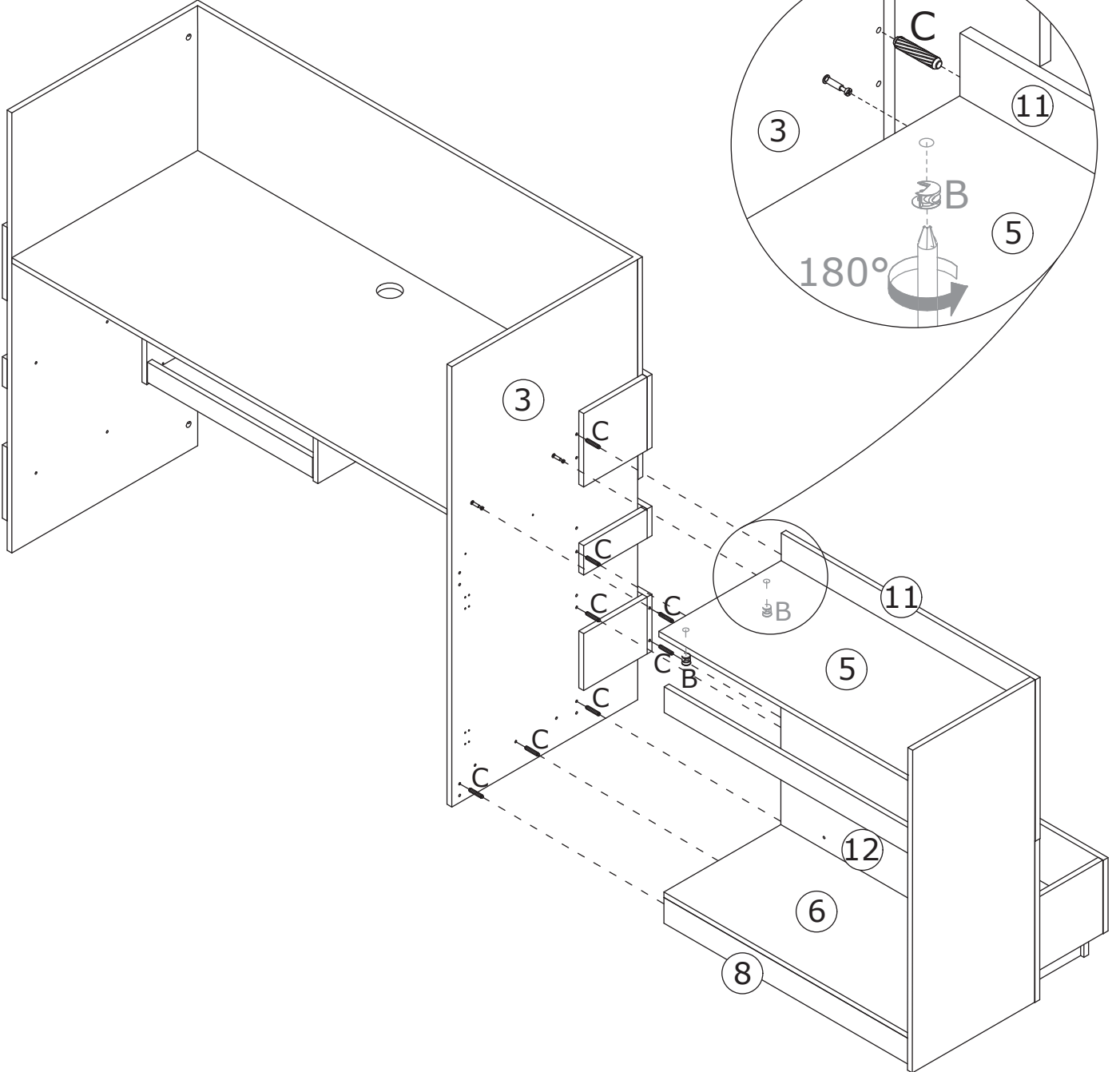
Insert wooden dowel(C) into panel 6 only at first. Attach panel 11 and 12 to panel 5, 4 and 6, add cam lock(B) into panel 5,4,6 and turn clockwise to tighten as shown.



24

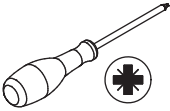


Attach the component to panel 3 using wooden dowel(C), add cam lock(B) into panel 5 and turn clockwise to tighten as shown.

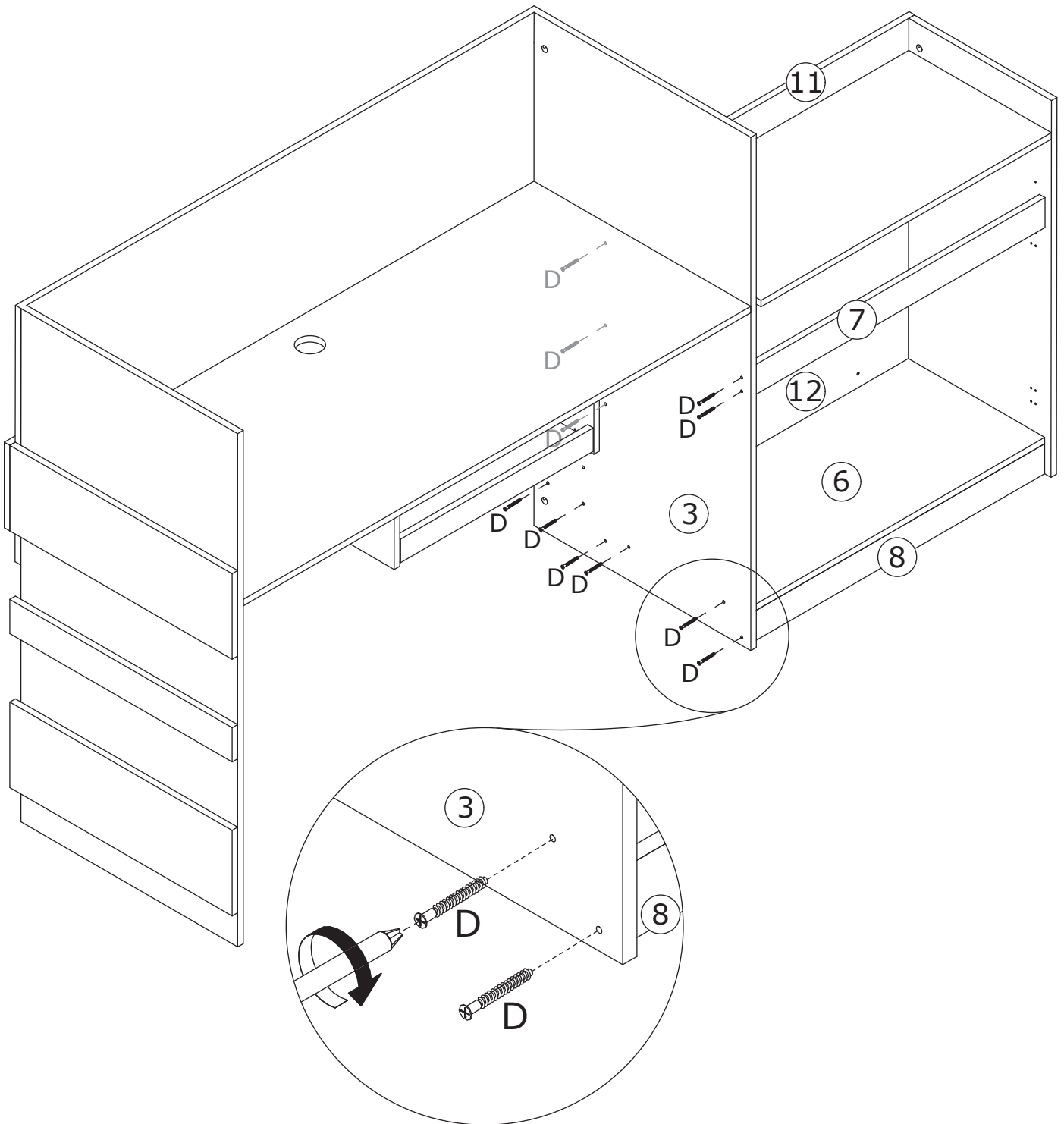


25

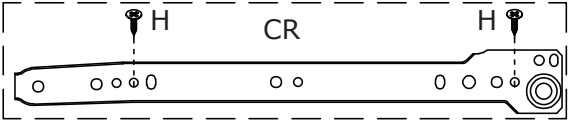
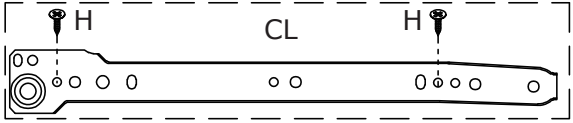
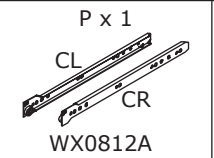
D x 11
CRC0540A



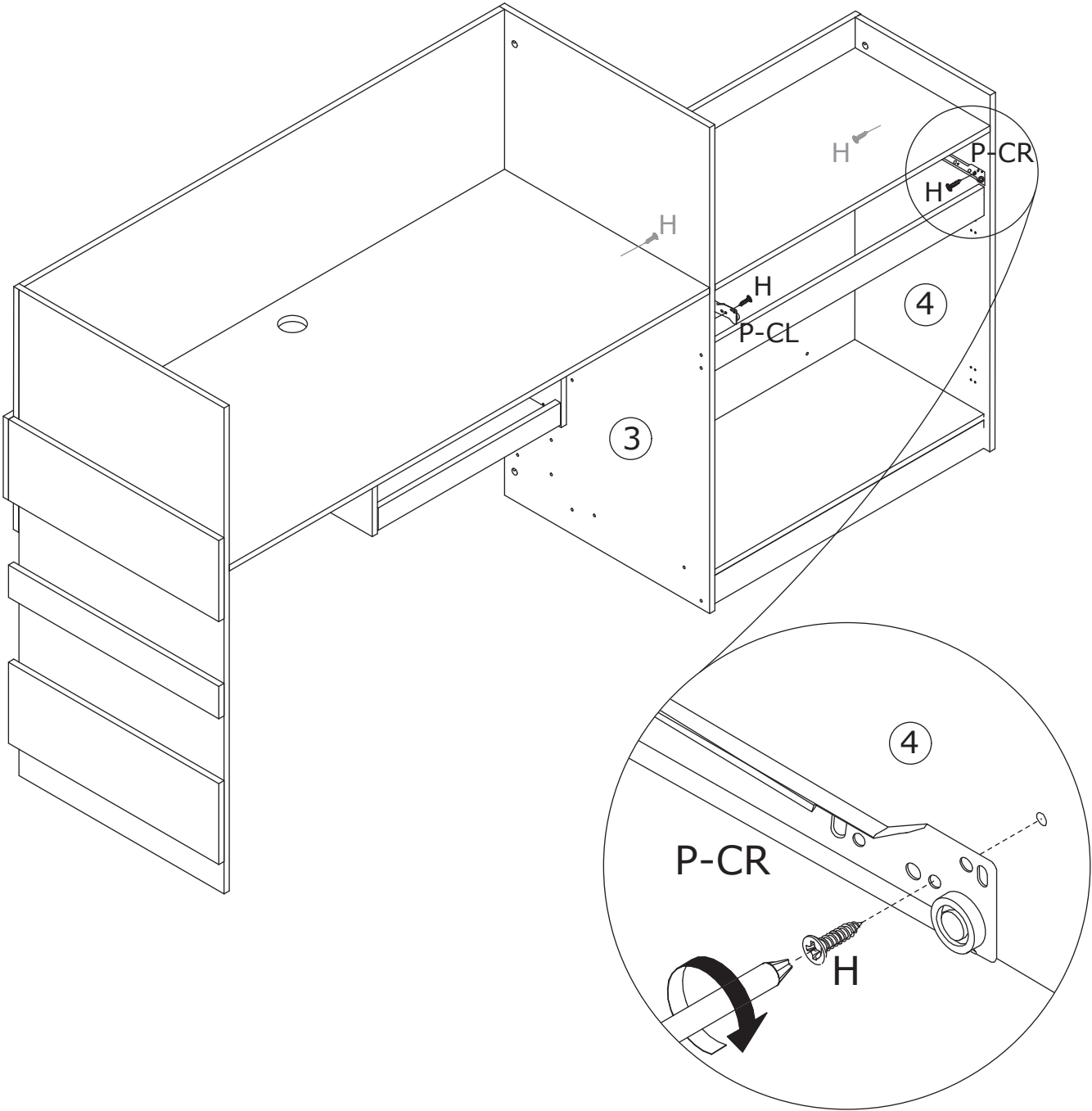
Fix panel 3 to panel 28, 11, 12, 6, 7 and 8 with screw(D) as shown.



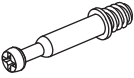

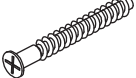


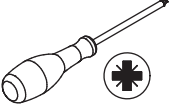
26

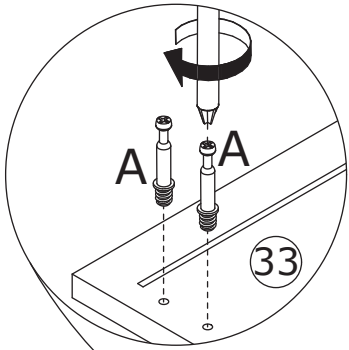


Fix rail(CL) and (CR) to panel 3 and 4 with screw(H) as shown.

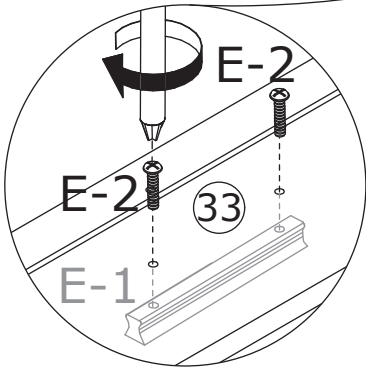
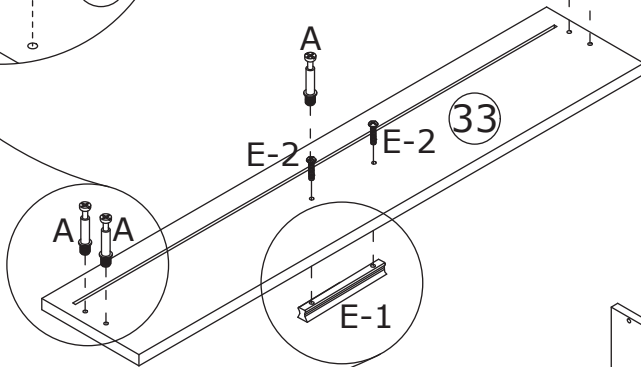
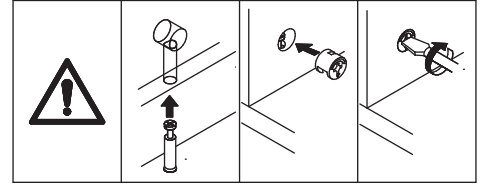
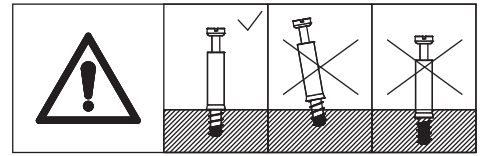


27

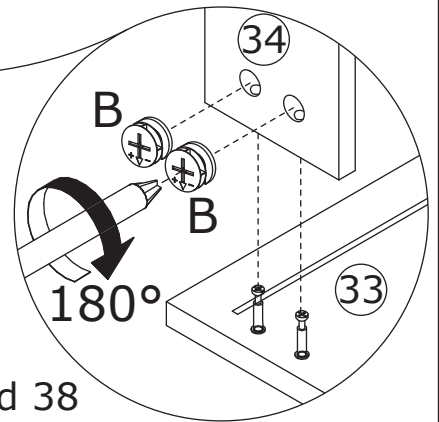
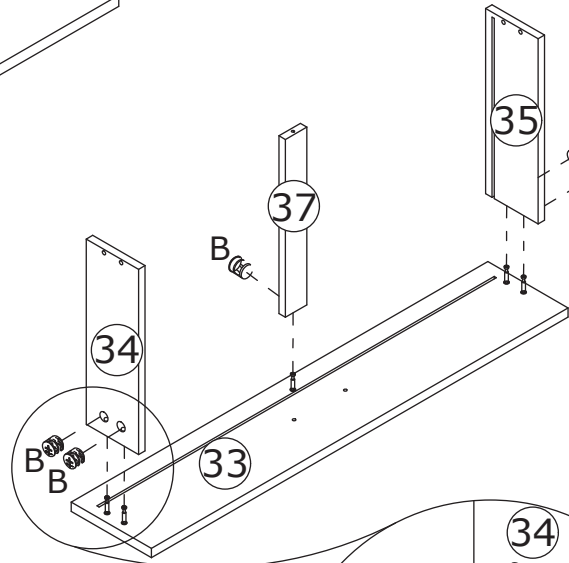
<p>A x 5</p>  <p>CRA0635A</p>	<p>B x 5</p>  <p>CRB1595A</p>	<p>D x 5</p>  <p>CRC0540A</p>	<p>E x 1</p>  <p>E-1</p> <p>E x 2</p>  <p>E-2</p>	
--	--	--	---	---



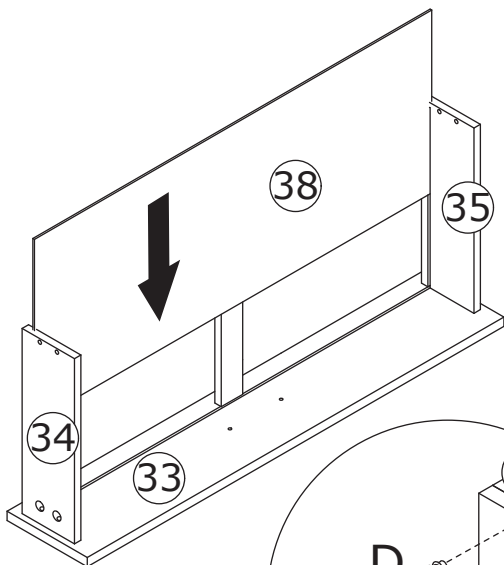
Screw eccentric rod(A) into panel 33 and fix handle(E) at first.



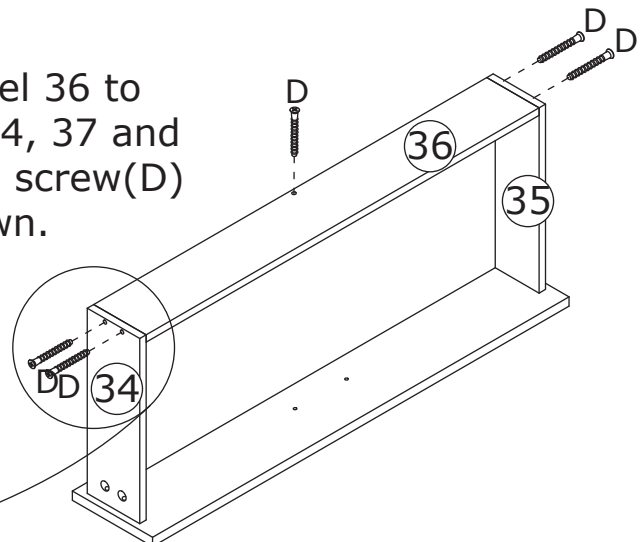
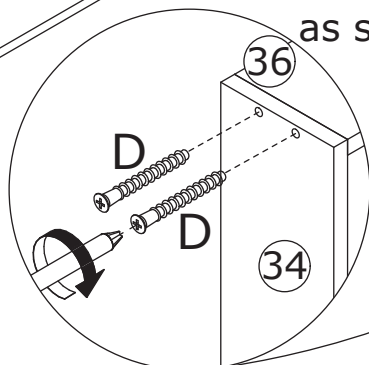
Attach panel 34, 37 and 35 to panel 33, add cam lock(B) into and turn clockwise to tighten as shown.





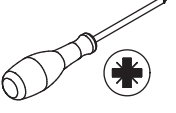
Insert bottom board 38 along available grooves.

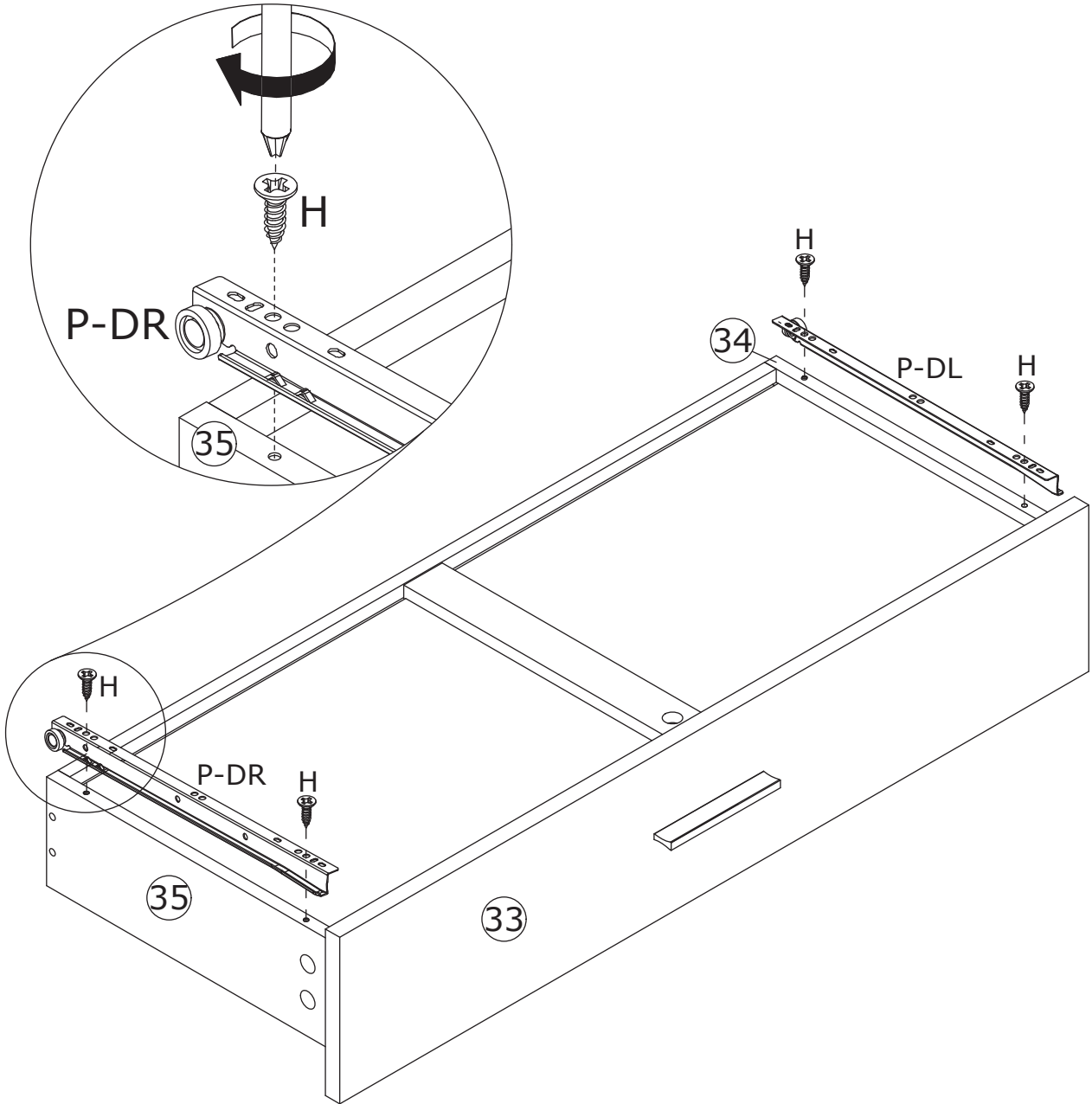
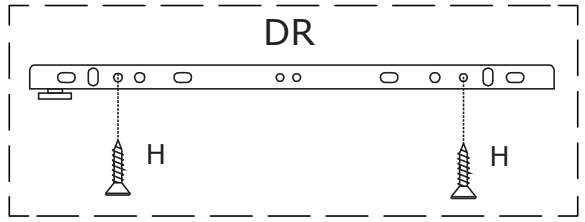
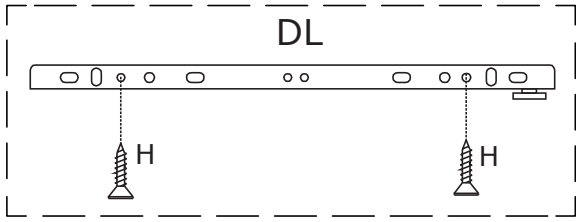


Fix panel 36 to panel 34, 37 and 35 with screw(D) as shown.



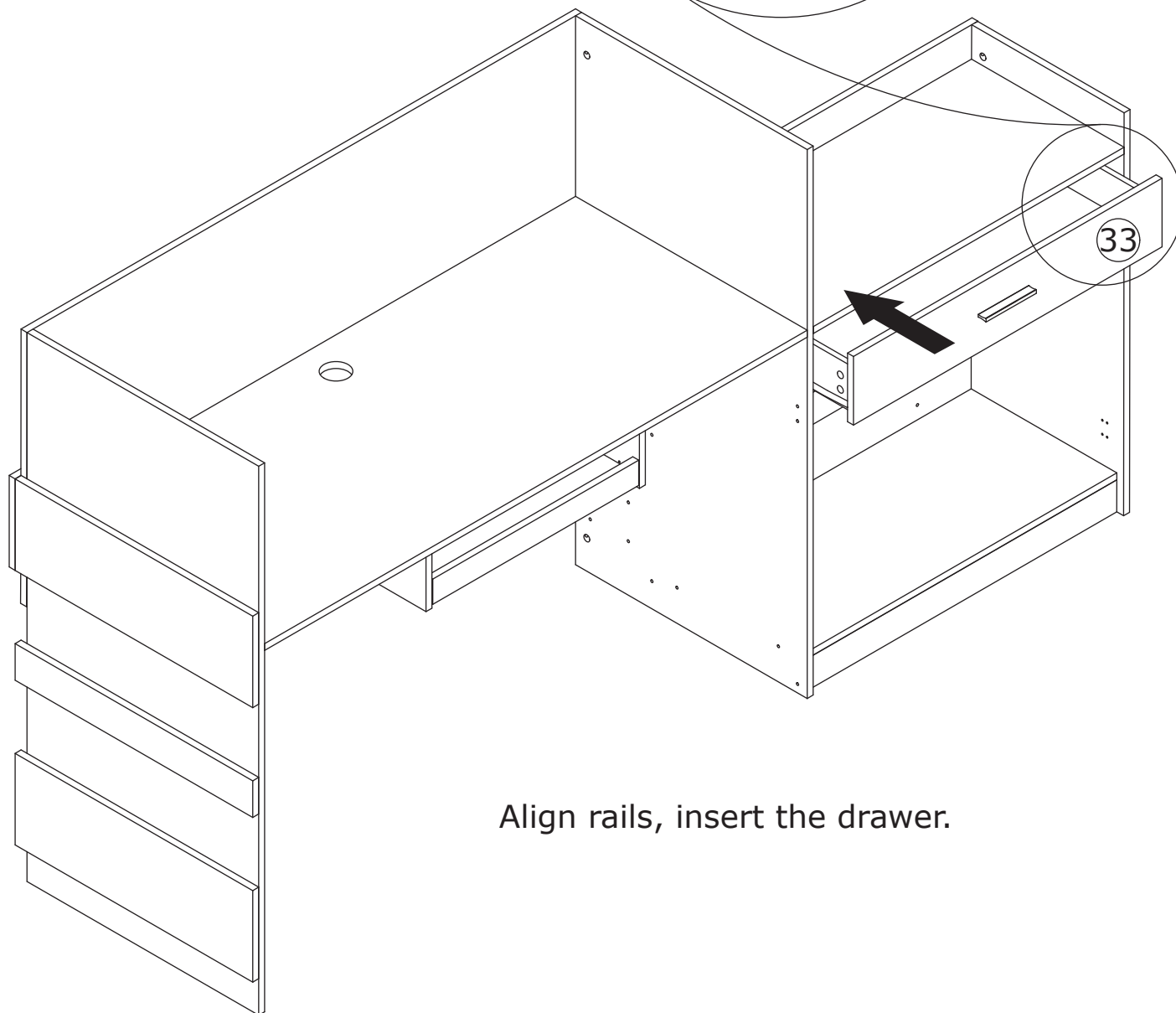
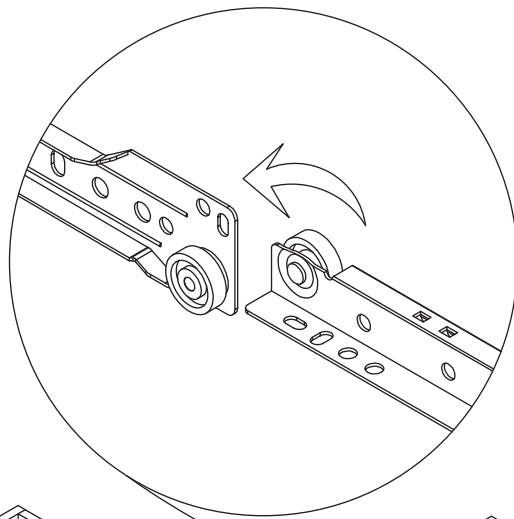
28

H x 4  CRD3512A	P x 1 DL DR  WX0812A	
--	---	---



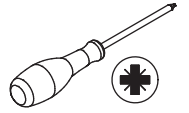
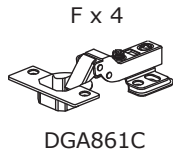
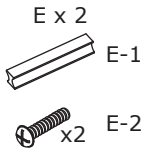
Fix runner(DL) and (DR) to panel 34 and 35 with screw(H) as shown.

29

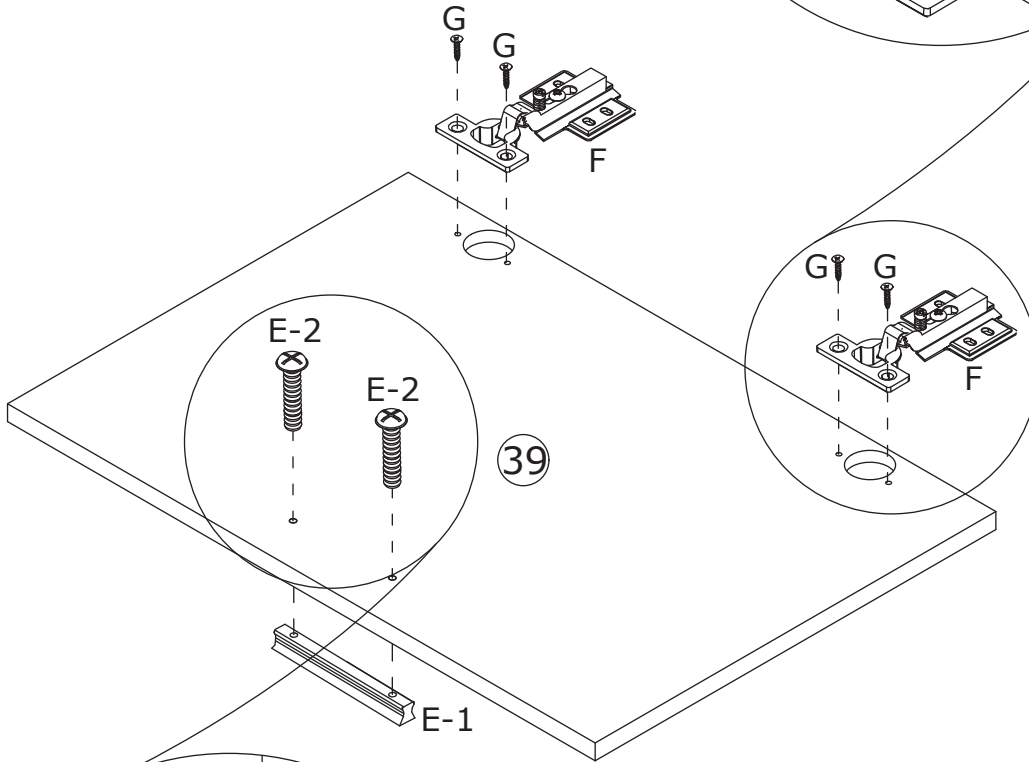
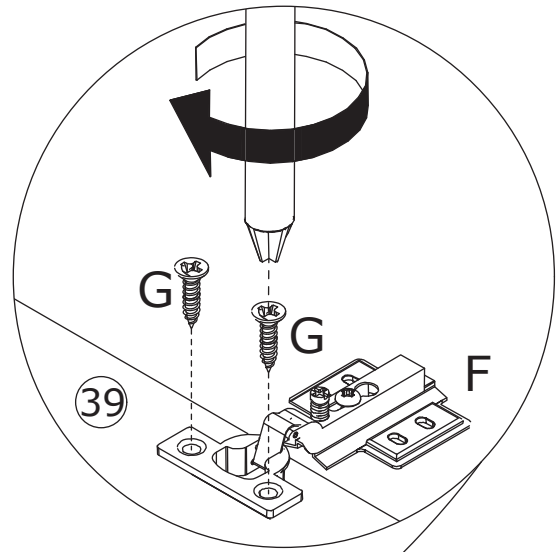


Align rails, insert the drawer.

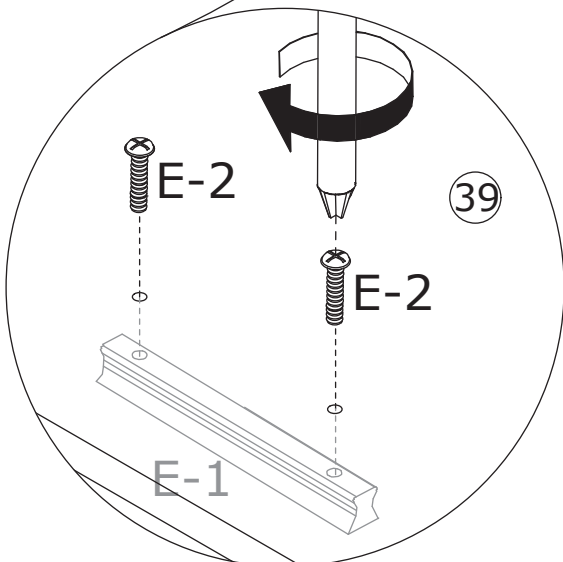
30



Fix hinge(F) to panel 39 with screw(G) as shown.
Fix handle(E) as shown.

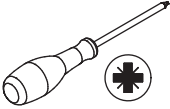


x2

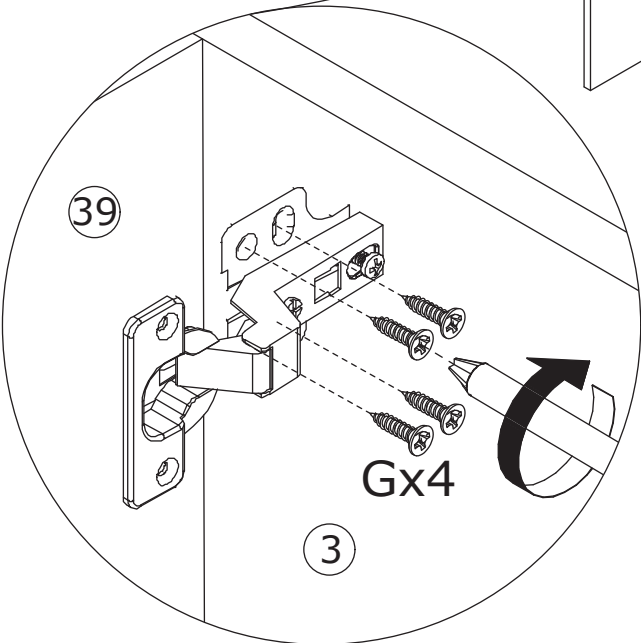
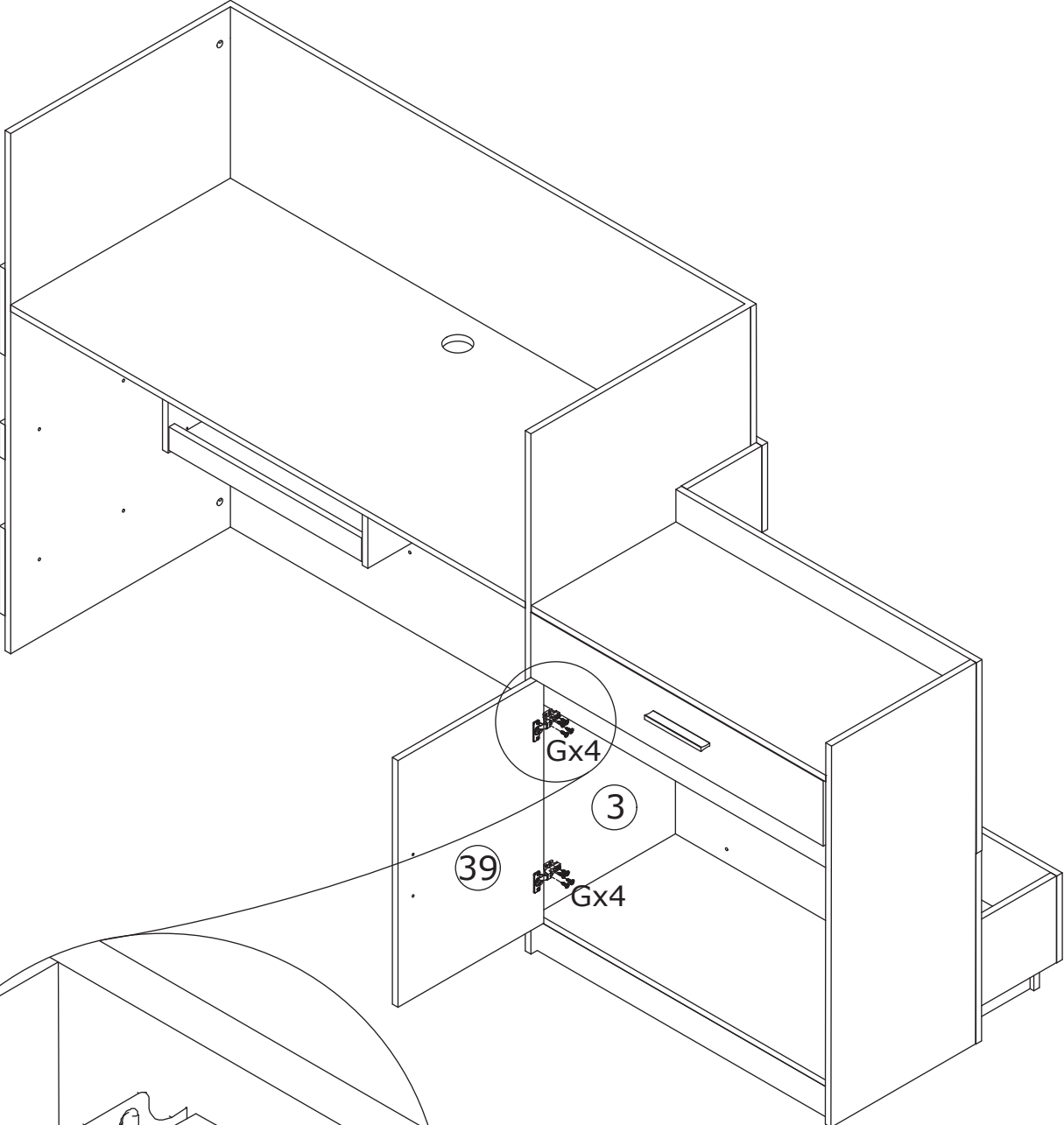


31

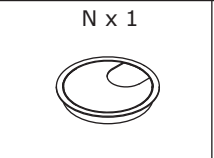
G x 8
CRD3514A



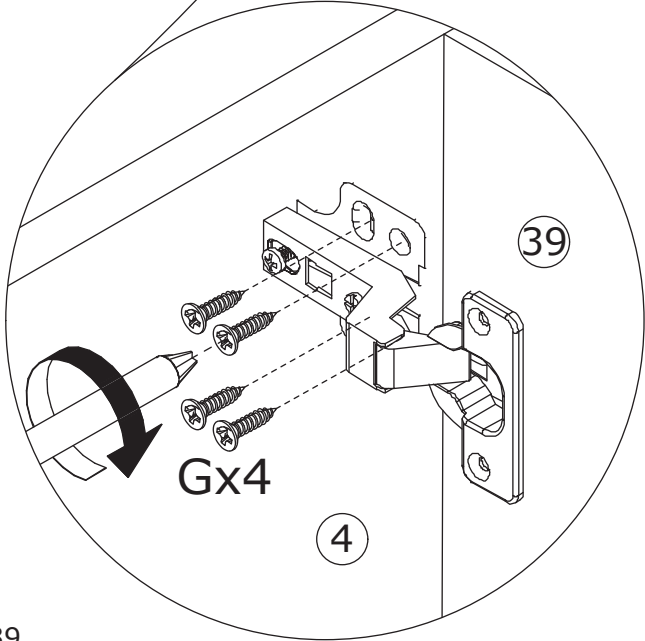
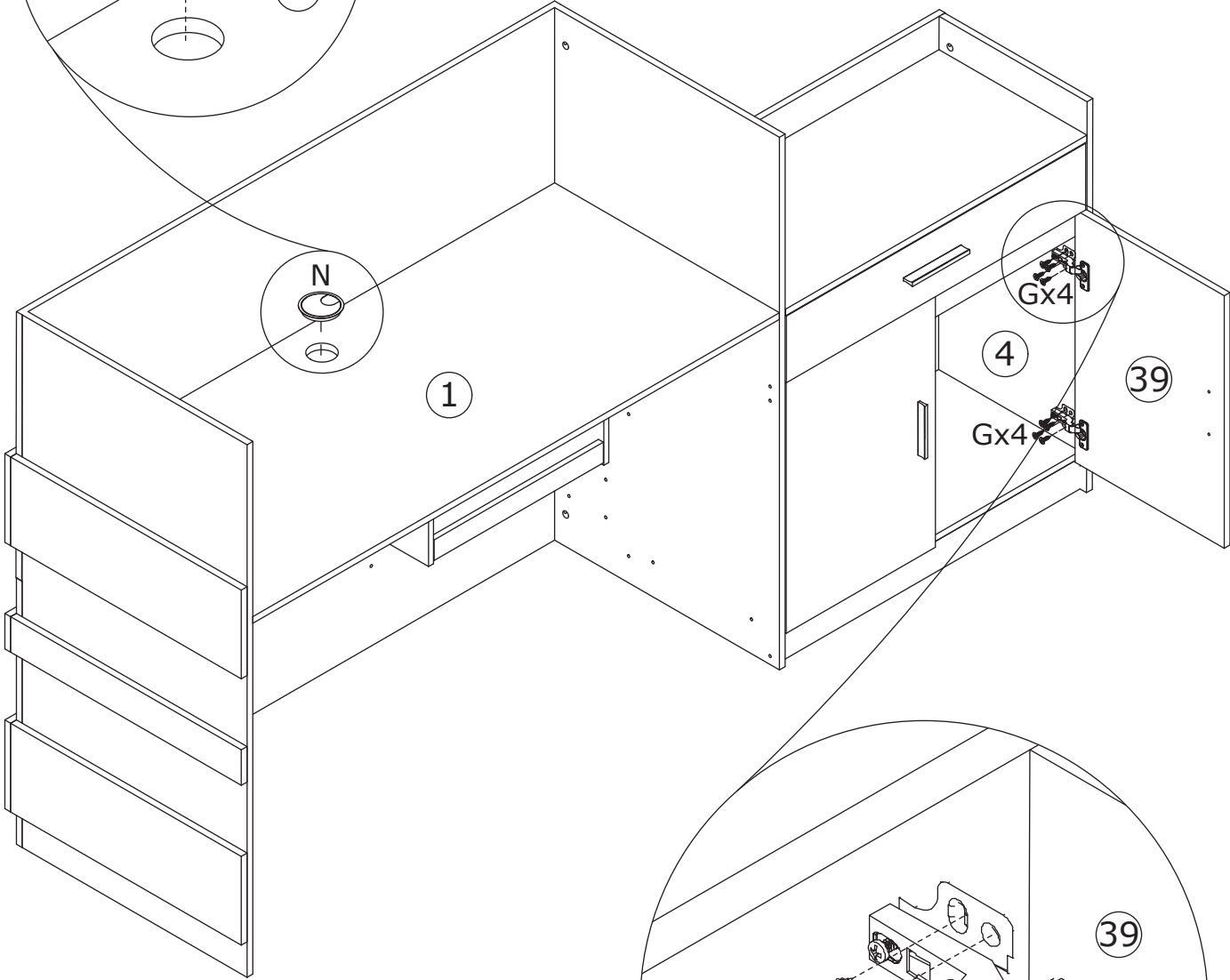
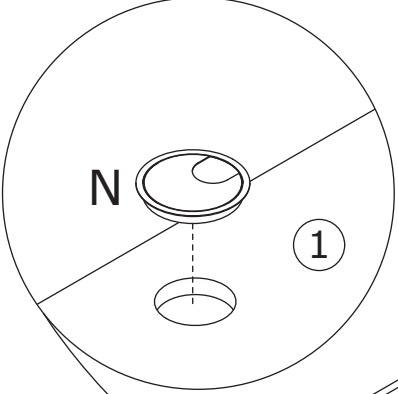
Assemble panel 39 to panel 3 by fixing hinge with screw(G) as shown.

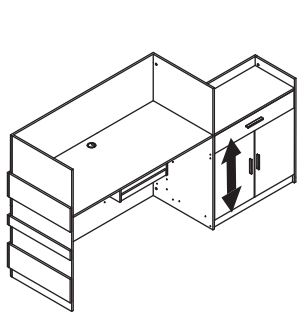
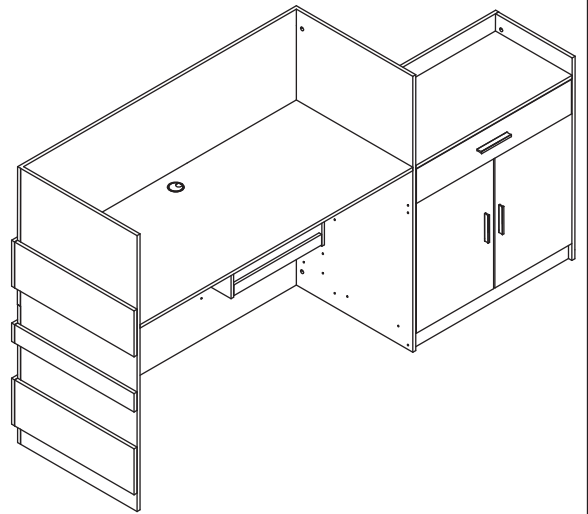
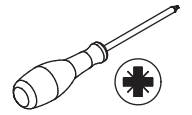


32

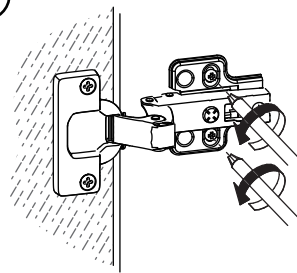


Assemble another panel 39 to panel 4 by fixing hinge with screw(G) as shown. Place the wire box into the hole.

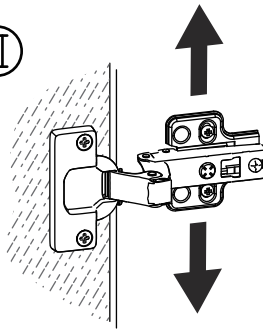




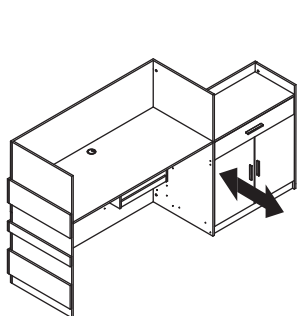
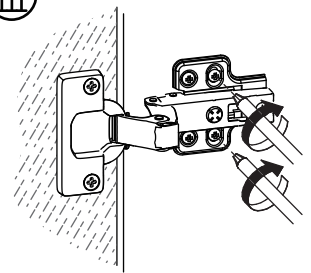
I



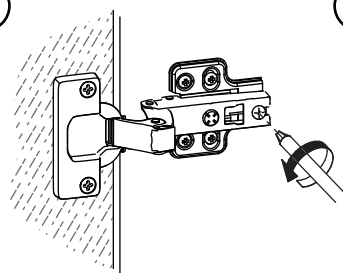
II



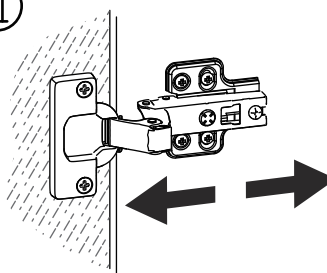
III



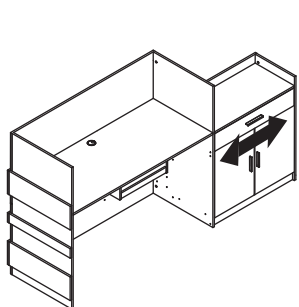
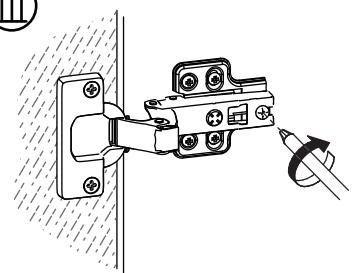
I



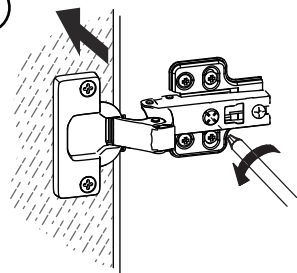
II



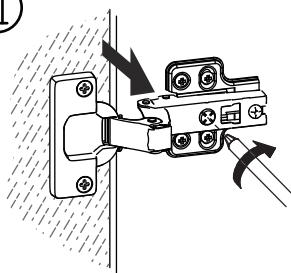
III



I



II



WARRANTY

WARRANTY CLAIMS

- There is a 30-day warranty for broken furniture or any other problems that do not work properly. The warranty will start from the date of purchase which must be verified by proof of purchase.
- Before making a claim, we may be able to answer your query, simply call us. Please leave your purchase order number, along with some details of the problem, if you want a replacement part. We will arrange within 48 hours. If there is out of stock, we will reply with a shipping date.
- The product must be used in accordance with the instructions provided. For health reasons.
- For other reasons, if the furniture needs to be returned, it must be cleaned and dried and operated within 30 days of receipt.

Type of Warranty Claim

- Failure to follow the furniture instructions will invalidate the warranty. Attention please.
- Does not include damage during installation, but includes damage during transportation.

Scope of responsibility

- Shall not bear any responsibility for misuse or user damage and / or loss of parts during the installation of furniture.
- After using, the damage and scratches of the furniture are not covered by the warranty.

The Warranty Relates to All Bought in The Us and Covers The Following Areas

- Sheet parts: 1 month from the date of purchase.
- Electrical parts: 1 month from the date of purchase.

RETURNS

CHANGED YOUR MIND AND NEED TO RETURN YOU ITEM?

PLEASE FOLLOW THE BELOW INSTRUCTIONS:

- If you have purchased and have simply changed your mind, follow the retailer's instructions for returns.

DEFECTIVE ITEMS

- If your item is defective in any way, i.e. it doesn't work but you can't identify why, in the first instance, please call us.

DAMAGED ITEMS

- If you receive an order with obvious shipping damage from the retailer, then we suggest the delivery is refused. If the delivery has been accepted and then shipping damage is found, please follow the specific instructions advised by the retailer.
In all circumstances please save all packaging material and paperwork for the order. Please be aware that if you dispose of packaging material or attempt to return the merchandise without contacting the fulfiller, you jeopardise your chances of making a claim, and you may not receive a credit for the return.