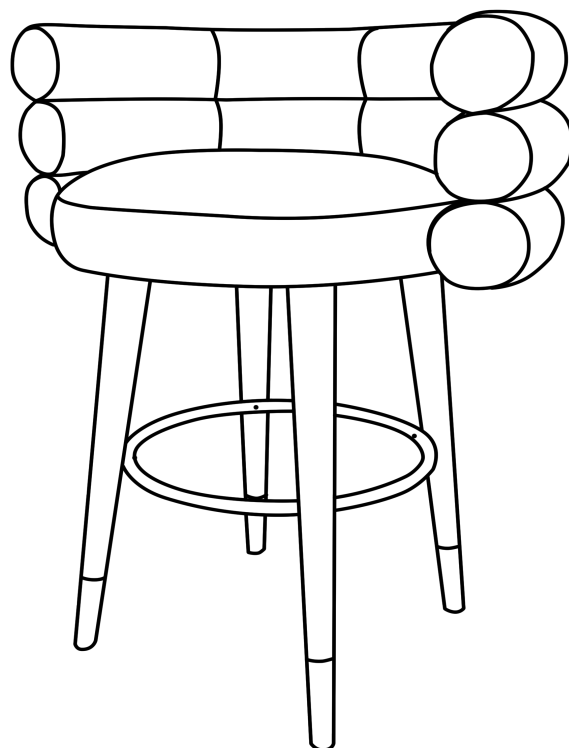
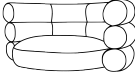

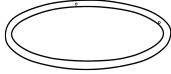







ASSEMBLY INSTRUCTIONS



PARTS LIST

LABEL	PICTURE	DESCRIPTION	QTY
A		Chair Body	1
B		Leg	4
C		Foot rest	1

HARDWARE

LABEL	PICTURE	DESCRIPTION	QTY
D		Metal Gasket	8
E		Spring Washer	8
F		Screw(M6*65)	8
G		Screw(M6*35)	4
H		Wrench	1

BEFORE BEGINNING ASSEMBLY:



Read instructions cover to cover



Have two adults on hand for assembly



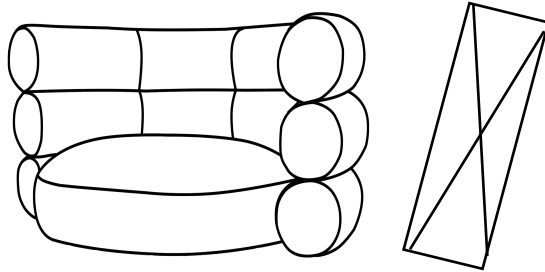
Do NOT assemble on flooring or carpet. Assemble on a clean non-marring surface (ex: packing foam)



Save all packaging until assembly is completed

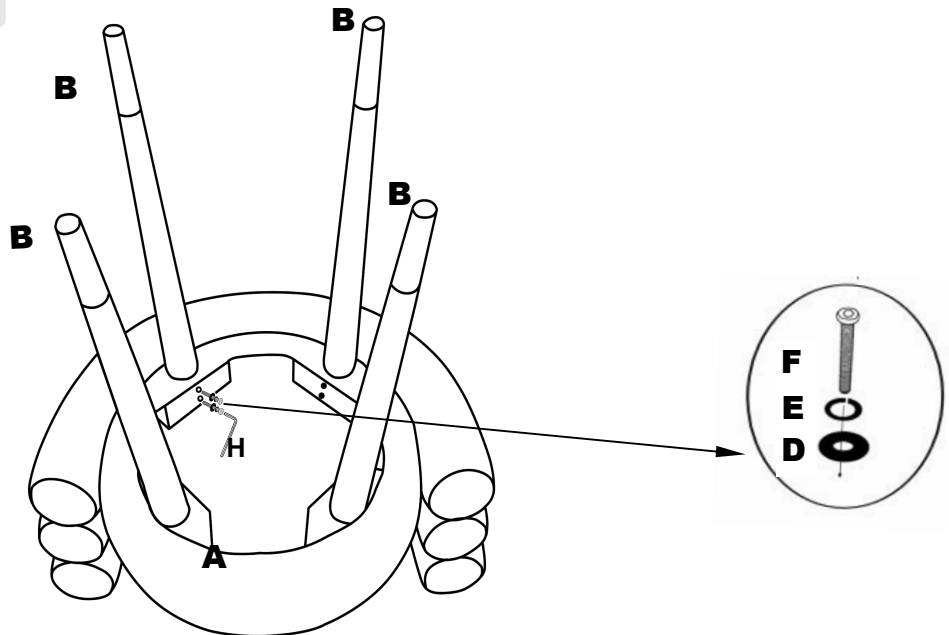
ASSEMBLY STEPS

STEP 1



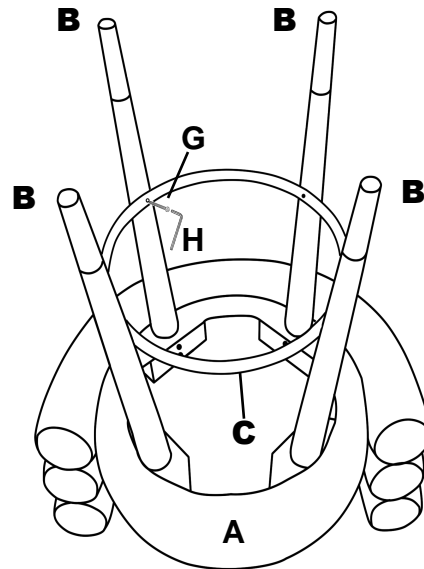
Open the carton to take out the chair body ,leg and hardware package.

STEP 2



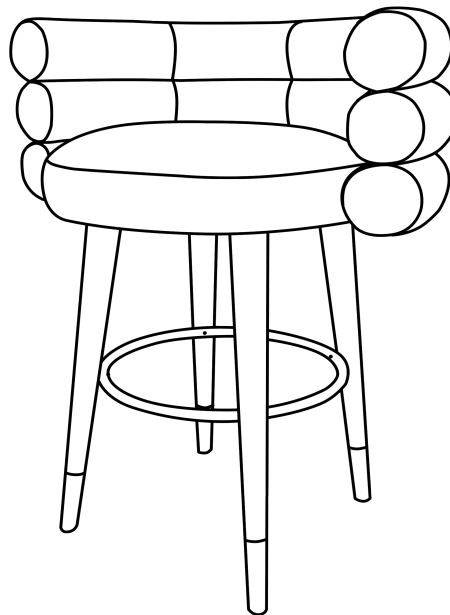
Use provided hardware to attach the legs as shown.
Do not fully tightened until the last step.

STEP 4



Use provided hardware to attach the Foot rest to the legs as shown.

STEP 5



Turn over the barstool and adjust the angle of the legs until they are even, then fully tightened the bolts(F). Assembly is completed.

CARE & MAINTENANCE



Do not put hot items directly on furniture surface.



Do not clean furniture with harsh cleansers or polish.



Dust and pick up spills using a clean, non-colored, lint-free cloth.



Stains may be removed with mild soap solution and a damp cloth.



Do not place furniture under direct sunlight.



Do not place furniture near heating or cooling vents.



Do not write on furniture without a padded barrier to protect the surface.



Do not place furniture outside, for indoor use only.