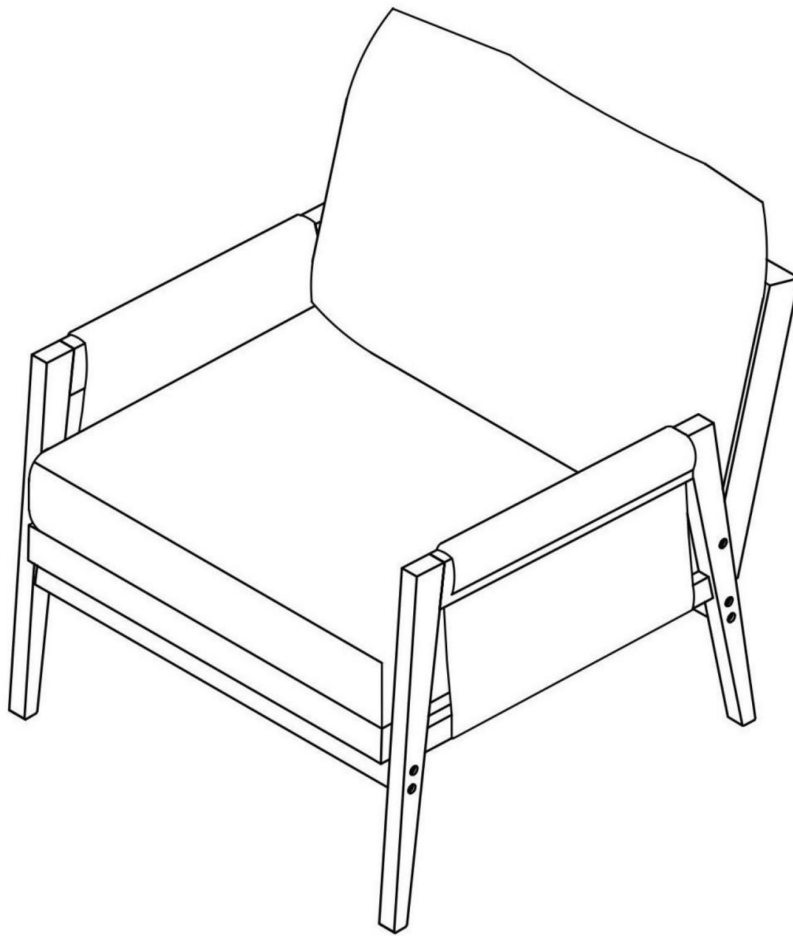


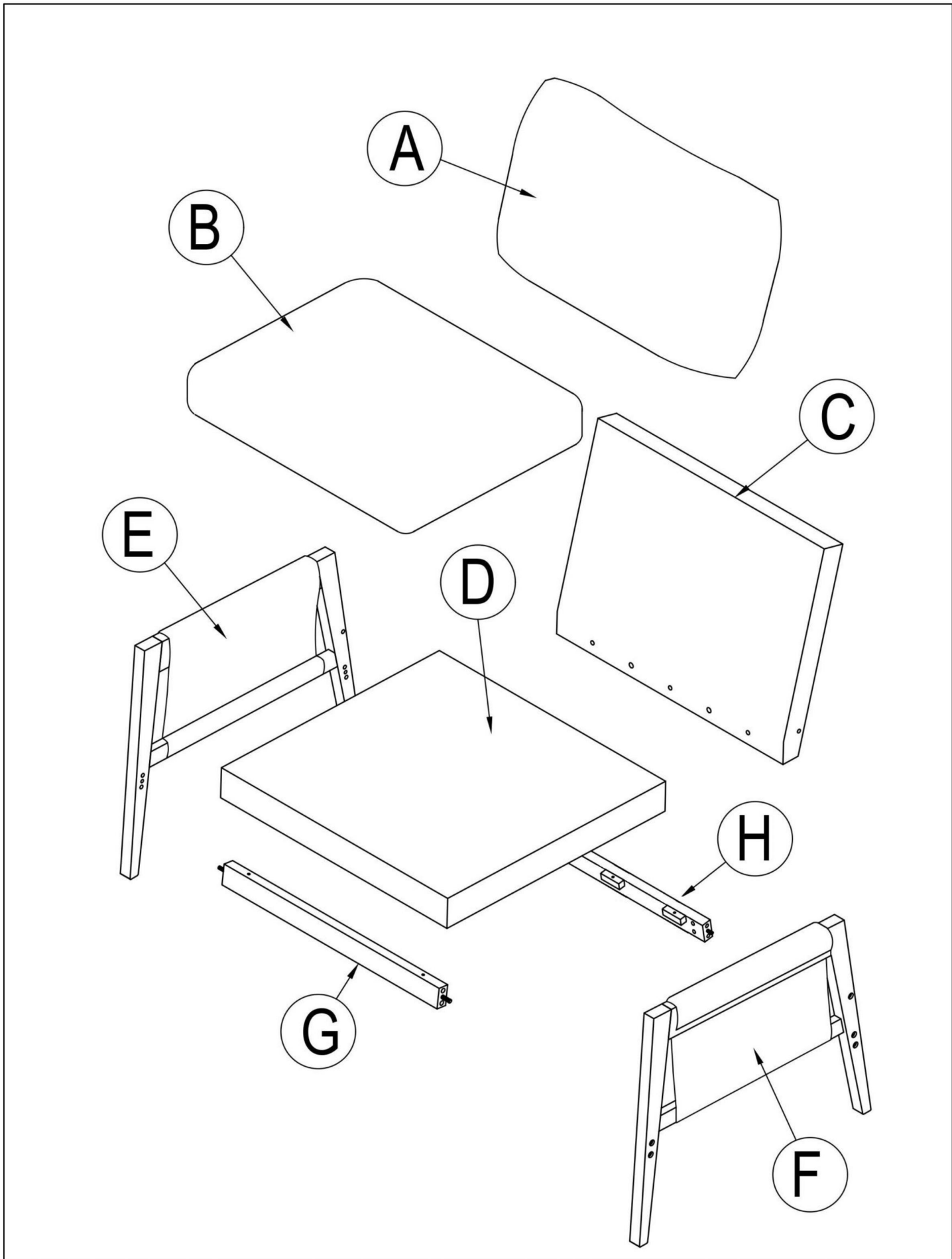
ASSEMBLY INSTRUCTION



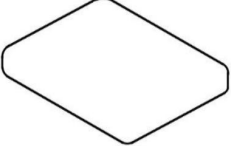

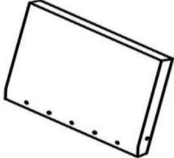

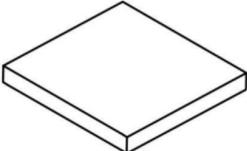

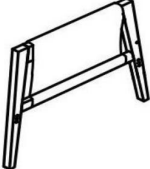



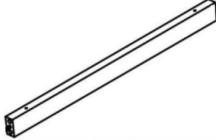

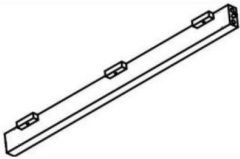
ITEM NO. ARMCHAIR WF301654



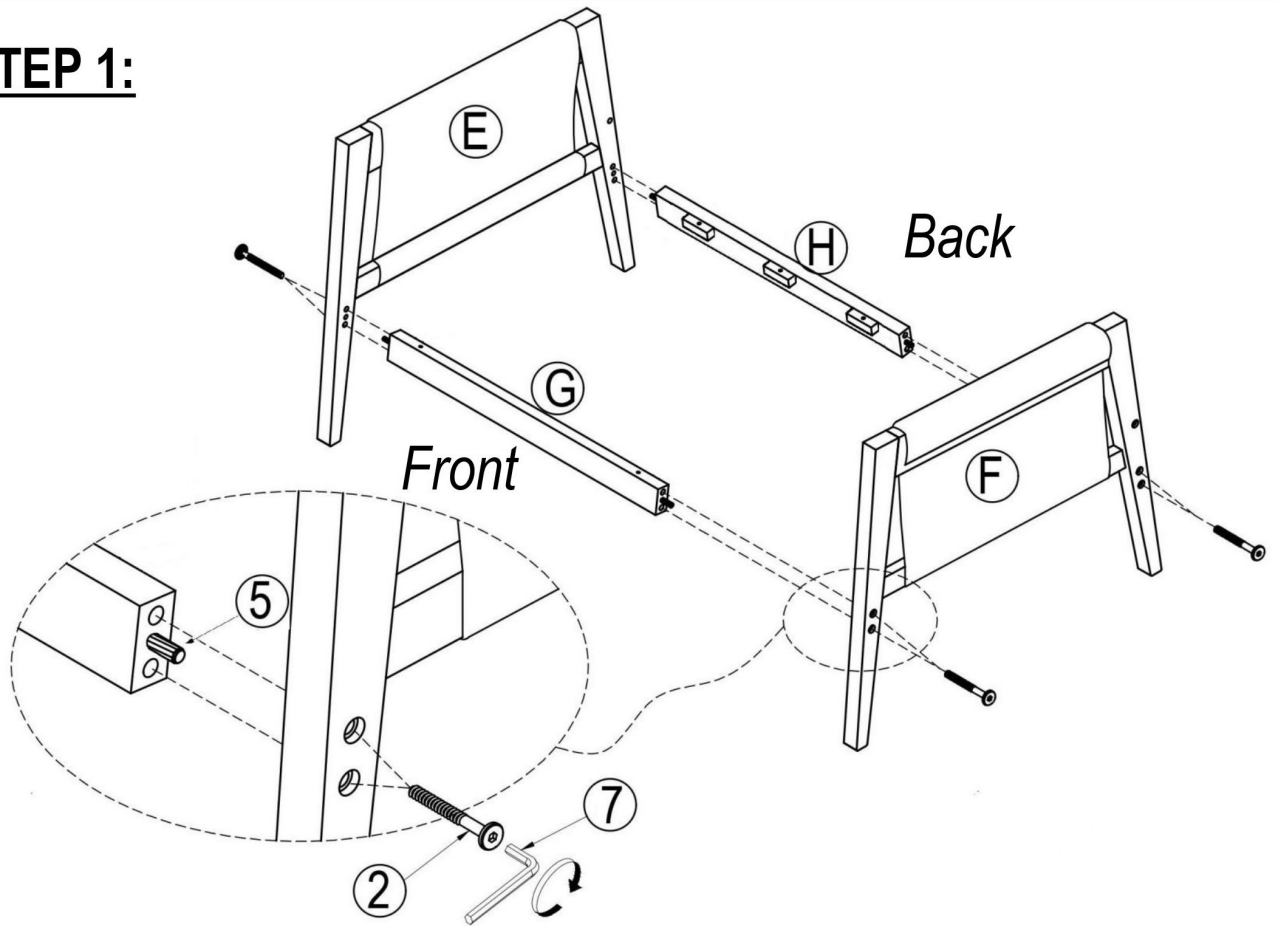
IMPORTANT NOTE:

- ① PLACE ALL PARTS ON A CLEAN AND SMOOTH SURFACE SUCH AS A RUG OR A CARPET TO AVOID THE PARTS FROM BEING SCRATCHED.
- ② BEFORE YOU BEGIN, KINDLY FOLLOW THE ASSEMBLY INSTRUCTIONS STEP BY STEP.
- ③ DO NOT TIGHTEN ALL SCREWS AND BOLTS UNTIL THE CHAIR IS FULLY SET-UP.

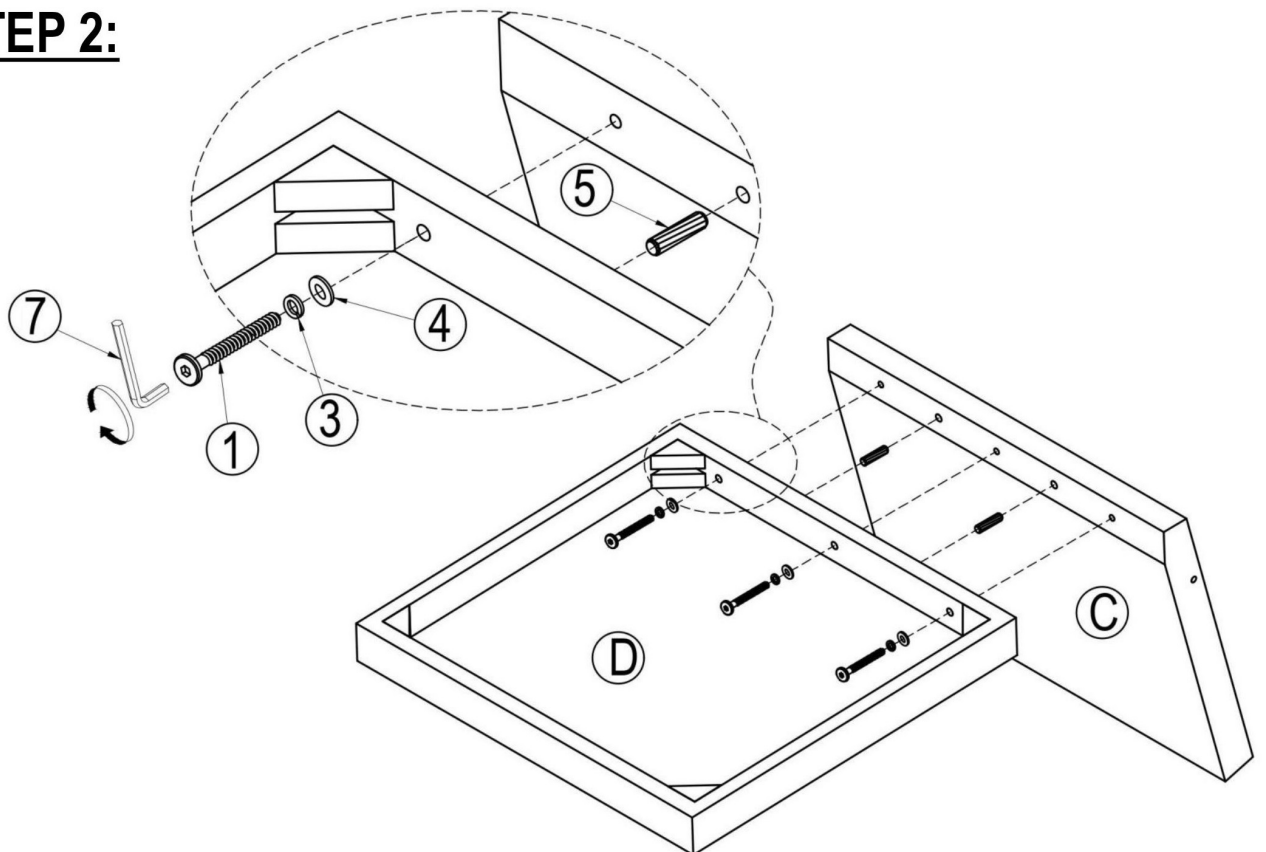


Part List	Hardware List
<p>Ⓐ</p>  <p>BACK CUSHION (1PC)</p>	<p>①</p>  <p>Ø 5/16" x 60mm</p> <p>BOLT (3PCS)</p>
<p>Ⓑ</p>  <p>SEAT CUSHION (1PC)</p>	<p>②</p>  <p>Ø 1/4" x 50mm</p> <p>BOLT (10PCS)</p>
<p>Ⓒ</p>  <p>BACK FRAME (1PC)</p>	<p>③</p>  <p>Ø 5/16" x 13mm</p> <p>LOCK WASHER (3PCS)</p>
<p>Ⓓ</p>  <p>SEAT FRAME (1PC)</p>	<p>④</p>  <p>Ø 5/16" x 19mm</p> <p>FLAT WASHER (3PCS)</p>
<p>Ⓔ</p>  <p>ARMREST – LEFT (1PC)</p>	<p>⑤</p>  <p>Ø 10 x 30mm</p> <p>DOWEL (6PCS)</p>
<p>Ⓕ</p>  <p>ARMREST – RIGHT (1PC)</p>	<p>⑥</p>  <p>M4 x 45mm</p> <p>SCREW (4PCS)</p>
<p>Ⓖ</p>  <p>FRONT STRETCHER (1PC)</p>	<p>⑦</p>  <p>4mm</p> <p>ALLEN KEY (1PC)</p>
<p>Ⓗ</p>  <p>BACK STRETCHER (1PC)</p>	

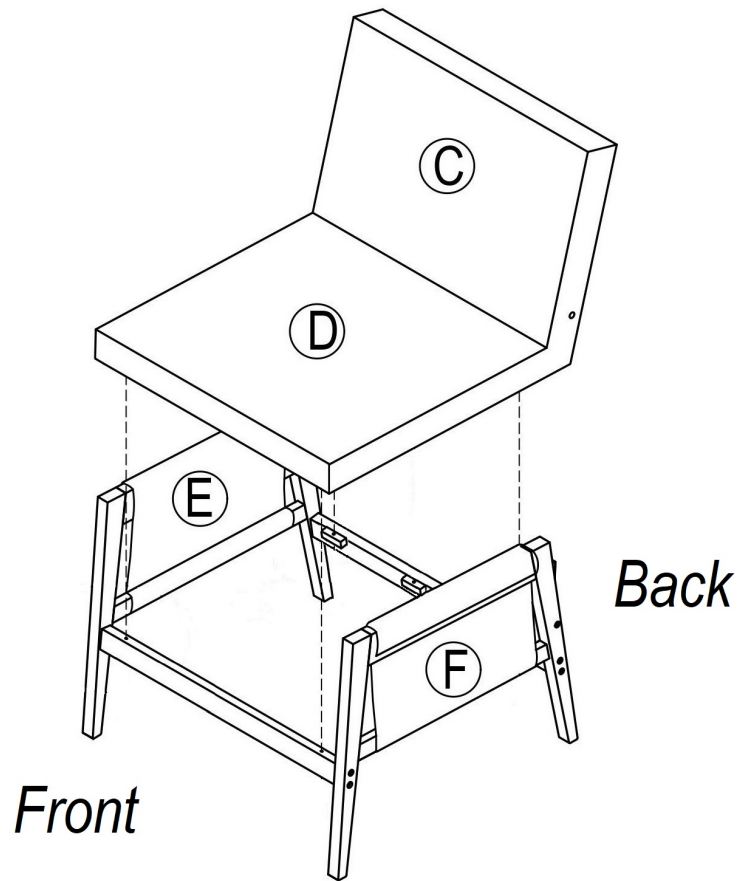
STEP 1:



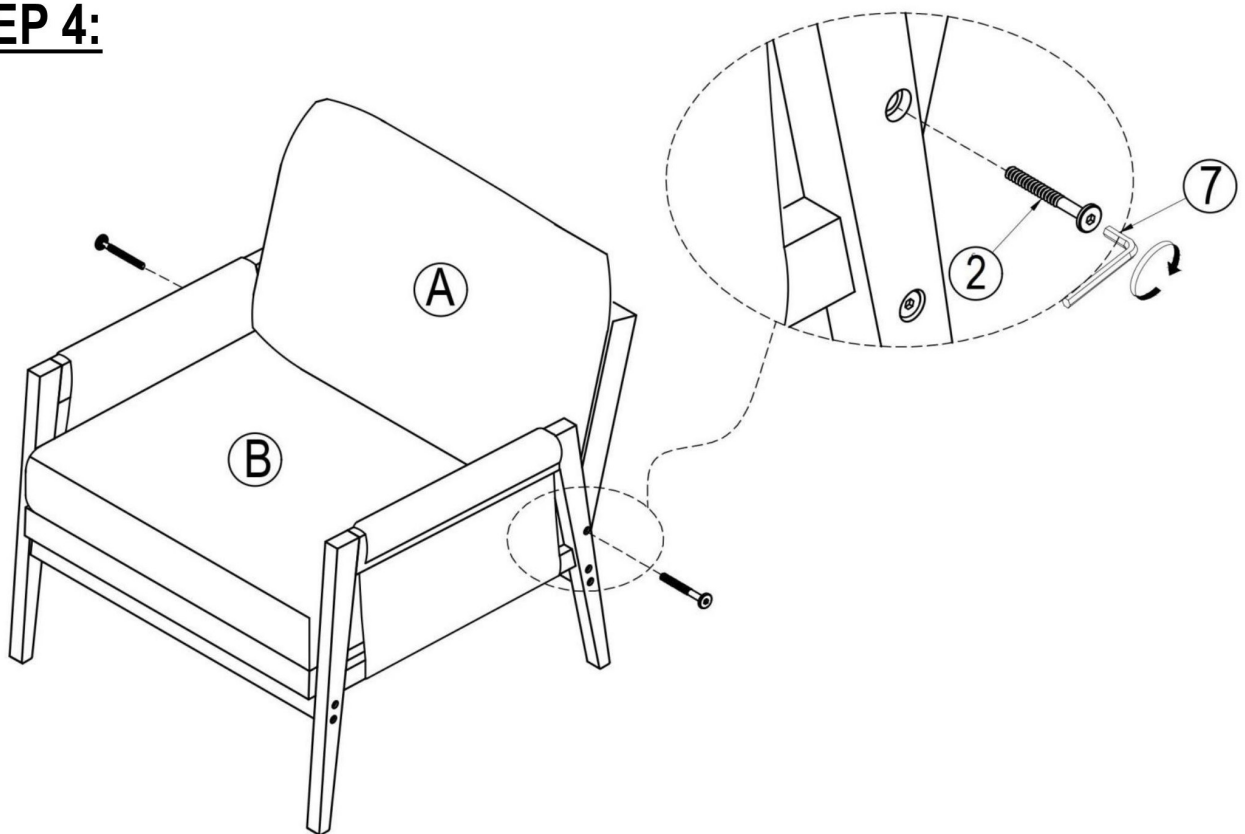
STEP 2:



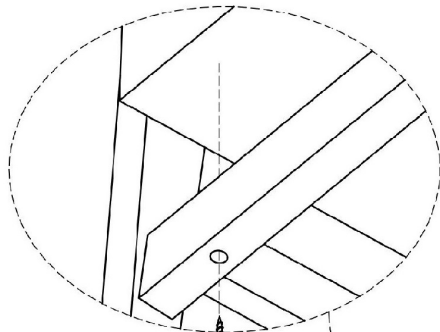
STEP 3:



STEP 4:

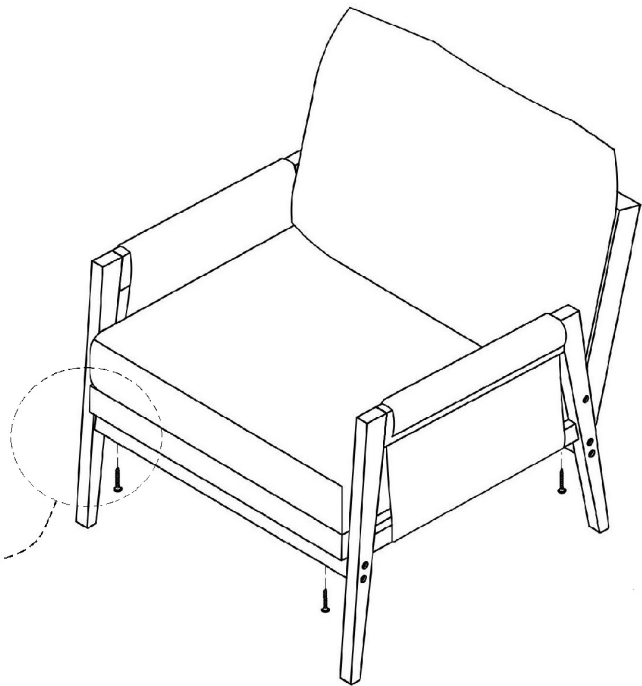
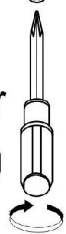


STEP 5:



⑥

Screw Driver
(Not include)



COMPLETED

