

**Utility Sink  
Model SC186**

***WORCEST***  
***All For A Better Life***

# **USERS' MANUAL**



**READ THIS MANUAL INSTRUCTION BEFORE USING THE UNIT.  
PLEASE KEEP THIS FOR FUTURE REFERENCE**

# WELCOME TO *WORCEST*

**Congratulations on the purchase of your new *WORCEST* single-bowl utility sink!**

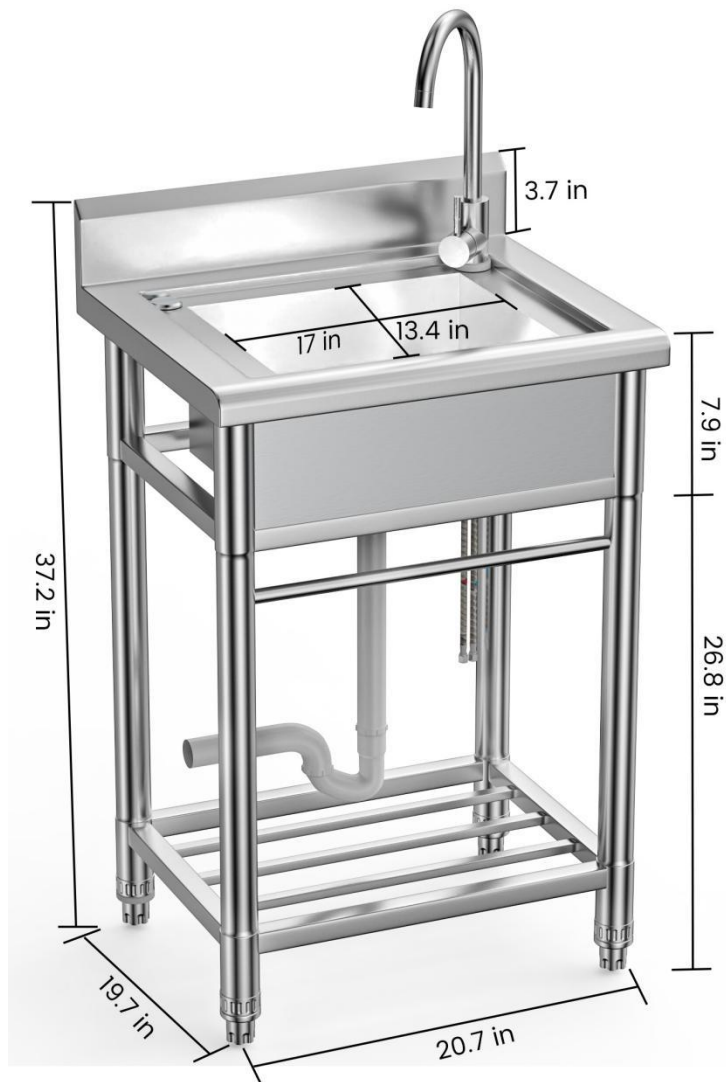
## **Receiving and Checking**

- Sink's model is consistent with your purchase;
- Make sure that you have all necessary parts by checking the parts list.  
If any part is missing or damaged, please contact Worcest Customer Service for a replacement;
- Inspect the sink prior to installation to make sure that it has not been damaged or during shipping and the appearance of the sink is in good condition.

**Please contact our Customer Service Team at [service@iworcest.com](mailto:service@iworcest.com)**

- Please keep the box and packaging materials until your product is completely installed. If you have any questions, require technical assistance or have any problems with your product;
- If for any reason this product does not meet your expectations, please be sure to repack this product in the original box and packaging material to avoid damage during transit.

## PRODUCT DIMENSION



### DIMENSIONS

Overall Height:37.2"

Inner Bowl:17\*13.4\*7.9"

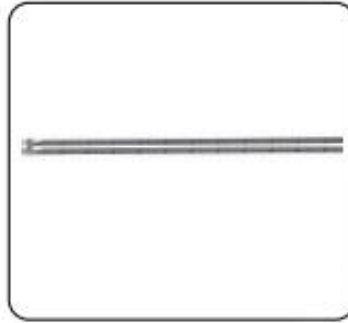
Backsplash:3.7"

Facet:13.8"

## PACKAGE LIST



Faucet \* 1



Water Hoses \* 2



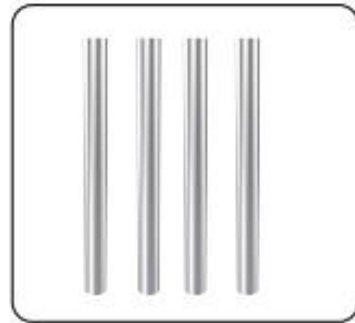
Sink Body \* 1



Drainer Strainer Set \* 1



Drainage Pipe Set \* 1



Supporting Legs \* 4



Bottom Storage Shelf \* 1



Adjustable Feet \* 4

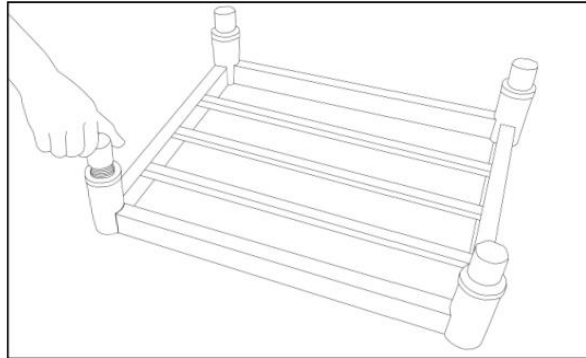
# INSTALLATION INSTRUCTIONS

**NOTE:** It is better to install the product from the legs upward, so that no links or parts are left behind.

## THE BOTTOM PART

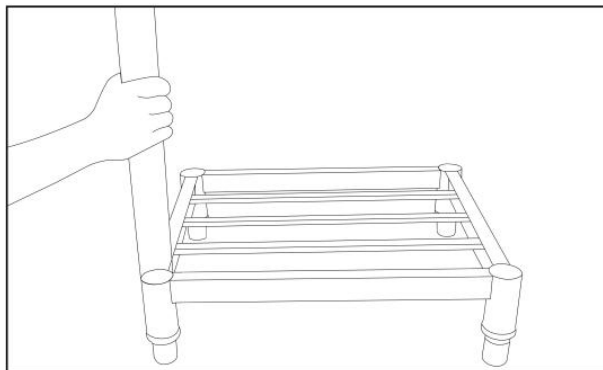
### Step1

Screw the four adjustable feet onto the bottom storage shelf with three beam



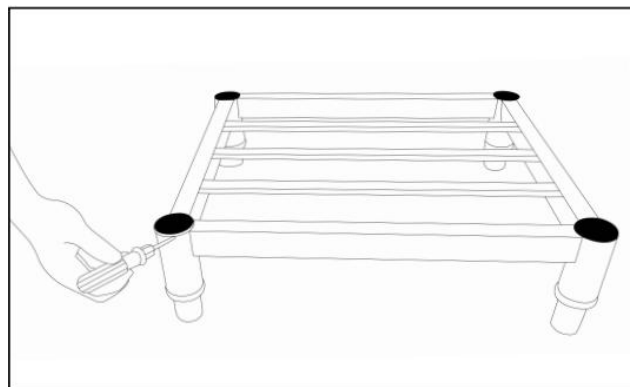
### Step2

Insert four supporting legs into the bottom shelf



### ✧ Warm tip

Please take off the four protection covers on the storage shelf beforehand

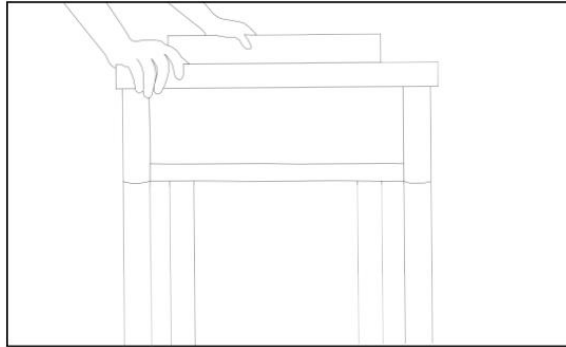


# INSTALLATION INSTRUCTIONS

## THE SINK BODY AND DRAINAGE SET PART

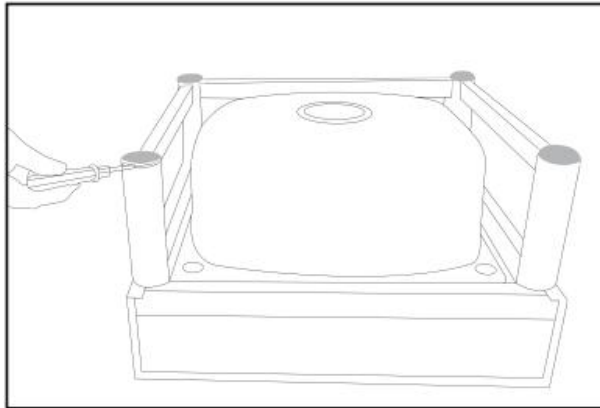
### Step1

Put the sink body basin onto the supporting legs



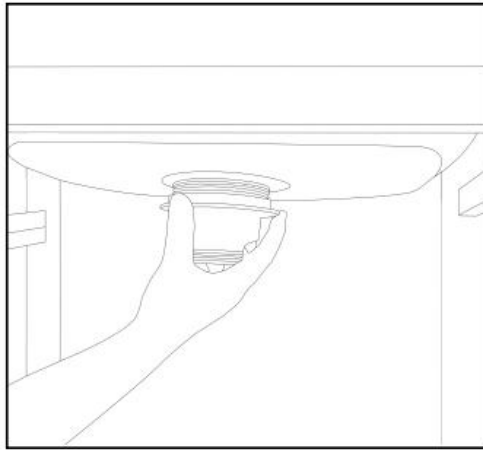
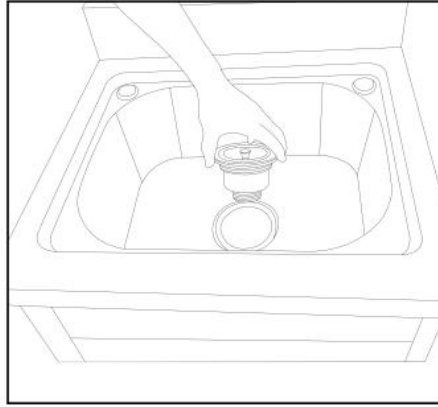
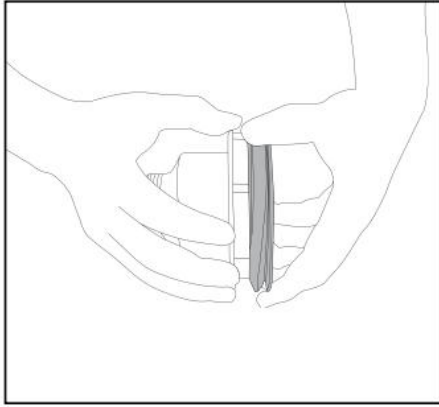
### ❖ Warm tip

There are four brackets around the basin with four covers in them to prevent product crushing while the sink was delivered, please take the cover out before installation to prevent assembly failure



### Step2

Unscrew the plastic nut from the bottom of the drain strainer set first, then tuck the whole strainer set to the center hole of the basin, and finally screw the plastic nut onto the strainer set again.

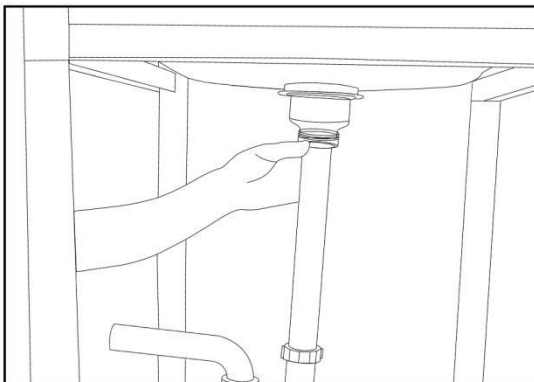
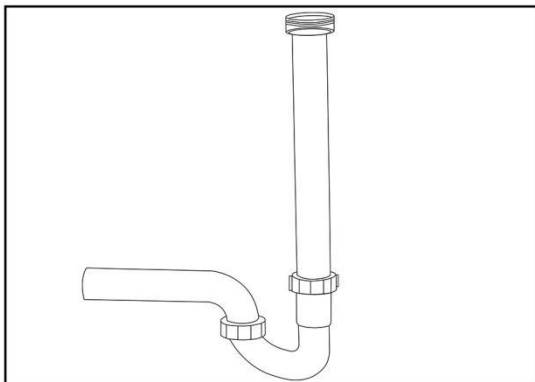


## INSTALLATION INSTRUCTIONS

### Step3

There are 2 x Tail Pieces, 1 x J Bent, 1 x Wall Bent. Only use 1 Tail Pieces to connect. The other one is as a backup. Please cut off to short if needed.

Put the silicone gasket into the drainage set, and connect the strainer set and the drainage pipe set together, then you will get a whole, perfect drainage set.

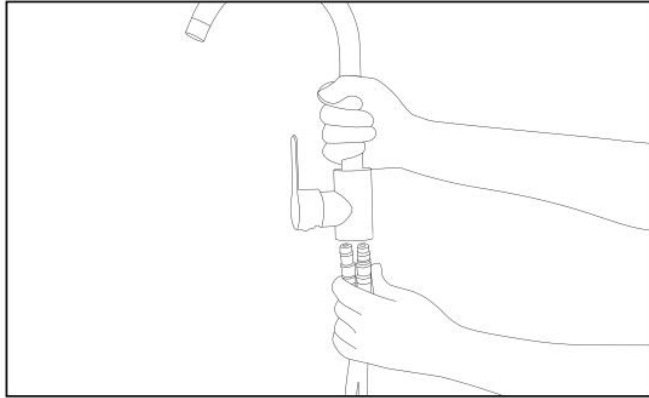


# INSTALLATION INSTRUCTIONS

## THE FAUCET PART

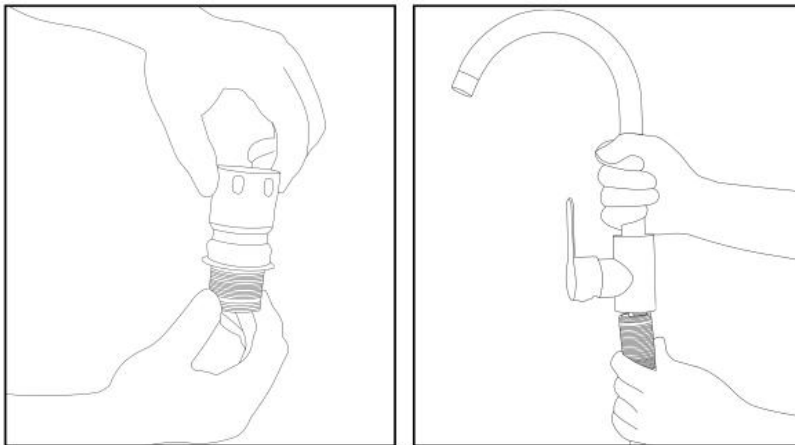
### Step1

Connect the two water hoses to the bottom of the faucet



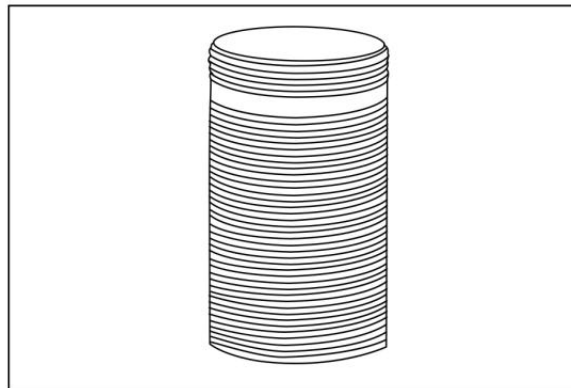
### Step2

Separate the stainless steel and hollow fixture from the stainless steel nut, then screw the fixture onto the bottom of the faucet.



### ❖ Warm tip

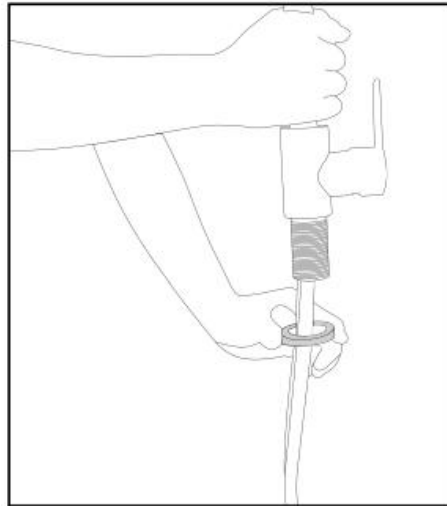
There is an engraved metal stripe on the fixture, connect the fixture to the faucet with the end with less screw thread



# INSTALLATION INSTRUCTIONS

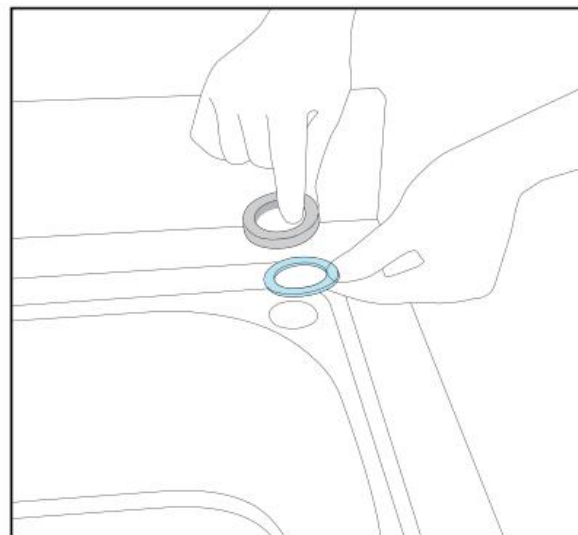
## Step3

Put the stainless steel and blue silicone ring through the fixture to stay close to the bottom of the faucet to prevent faucet from leaking



## ✧ Warm tip

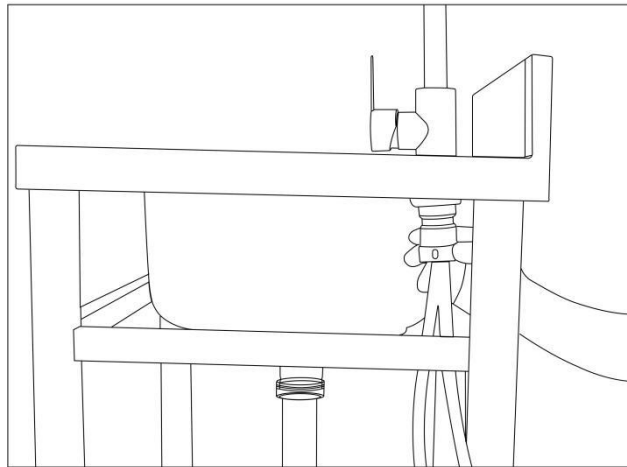
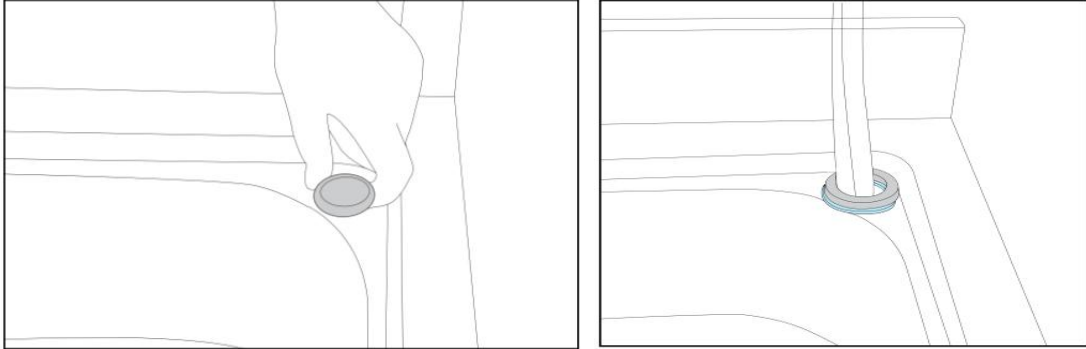
Keep the stainless steel ring on the top of the blue silicone one to prevent scratch of the basin



# INSTALLATION INSTRUCTIONS

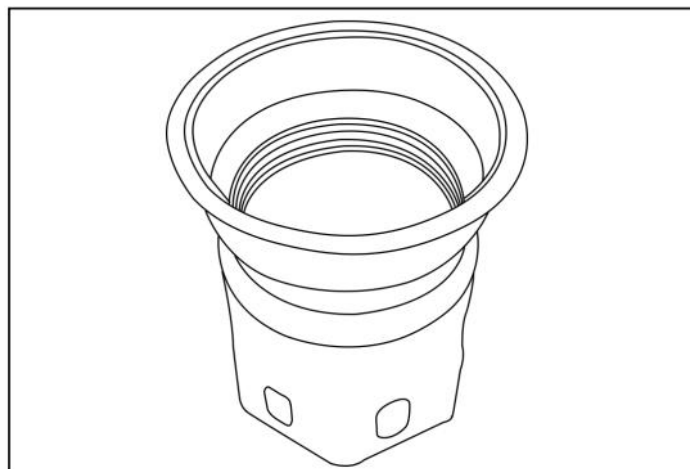
## Step4

Take off the two covers on the holes (on each side of the basin), and then tuck the water hoses into one of the two holes, and finally screw the nut to the fixture again



### ❖ Warm tip

Connect the stainless steel nut to the faucet with the end with screw thread, that is the one with bigger hole



## CLEANING & MAINTENANCE

- The cleaning of the sink should start from the basics, and a thin layer of oil can be applied to the inner wall when you first start using it, trying to isolate the surface of the sink from contact with corrosive substances.



- The sink should be cleaned frequently, please use a neutral detergent, gently scrub, then rinse with clean water, and use a sponge or rag to dry, avoid using a steel brush or a rough brush to prevent metal particles from adhering to the sink wall, which is easy to produce rust spots over time, or scratch the appearance of the sink.



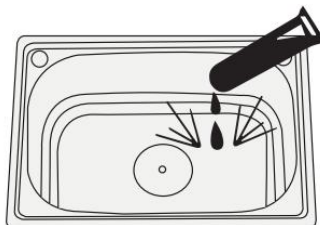
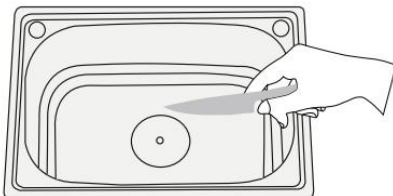
- Sprinkle a little salt on oily areas, then wipe up and down with waste plastic wrap, wipe and rinse with warm water several times, also to make the sink shine like new. The corners and drains around the sink can be wiped with a small brush or toothbrush dipped in soapy water, fine salt, and detergent, which can also achieve the ideal decontamination effect.



## WARNINGS

### Do Not

- When cleaning the stainless steel sink, it is best not to use a very oxidizing detergent, because it will react with the stainless steel sink, destroy the corrosion-resistant layer on the surface of the sink, and there will be rust on the surface of the sink.
- The stainless steel sink should not be cleaned with grinding plates or wire balls, and try not to hit the sink with sharp utensils such as knives, forks, cooking utensils, etc., so as to avoid scratches on the surface and affect its surface beauty.



### RUST SPOTS

- This sink is made of 304 stainless steel. If you see rust spots in your sink, it's due to external rust or iron particle contaminants. These rust particles attach to the sink surface, forming rust stains. Clean the rust stains with powder cleanser or sink cleaner and a dish scrubbing sponge. Scrub in the direction of the grain. Use toothbrush for corners and edges. Rinse thoroughly with water.

**Contact Us:**

**[Service@iworcest.com](mailto:Service@iworcest.com)**

***All For A Better Life***

## WARRANTY

WORCEST offers a 12-month warranty to all of our products together with the original proof of purchase when a defect occurred, including those newly purchased and unused, from WORCEST or through an authorized reseller, wholly or substantially, or as a result of faulty manufacturing parts, or workmanship during the Warranty Period. The warranty does not apply if damage is caused by other factors, including but without limitation of: Please fill out all required fields and include your order ID, Date of Purchased if applicable.

- (a) Normal wear and tear;
- (b) Abuse, mishandling, accident, or failure to follow operating instructions;
- (d) Servicing or modifications of the product other than by WORCEST

The WORCEST warranty covers all costs related to restoring the proven

defective product through repair or replacement of any defective part and necessary labor so that it conforms to its original specifications. A replacement product may be provided instead of repairing a defective product. WORCEST's exclusive obligation under this warranty is limited to such repair or replacement.

These are our general terms for warranty service, but we always urge our customers to reach out to us with any issue, regardless of warranty terms. If you have an issue with a WORCEST product, please contact us at [service@iworcest.com](mailto:service@iworcest.com) ,and we will do our best to resolve it for you.

Remark: all the product drawings involved in this manual shall be subject to the object. All the contents of this manual have been strictly checked and proofread, but there is possibility of incorrect typesetting or printing. Please feel free to understand

# WORCEST



Model Number SC186

Warranty Registration

**Contact Us:**

***[WWW.Iworcest.com](http://WWW.Iworcest.com)***

***[Service@iworcest.com](mailto:Service@iworcest.com)***

***All For A Better Life***