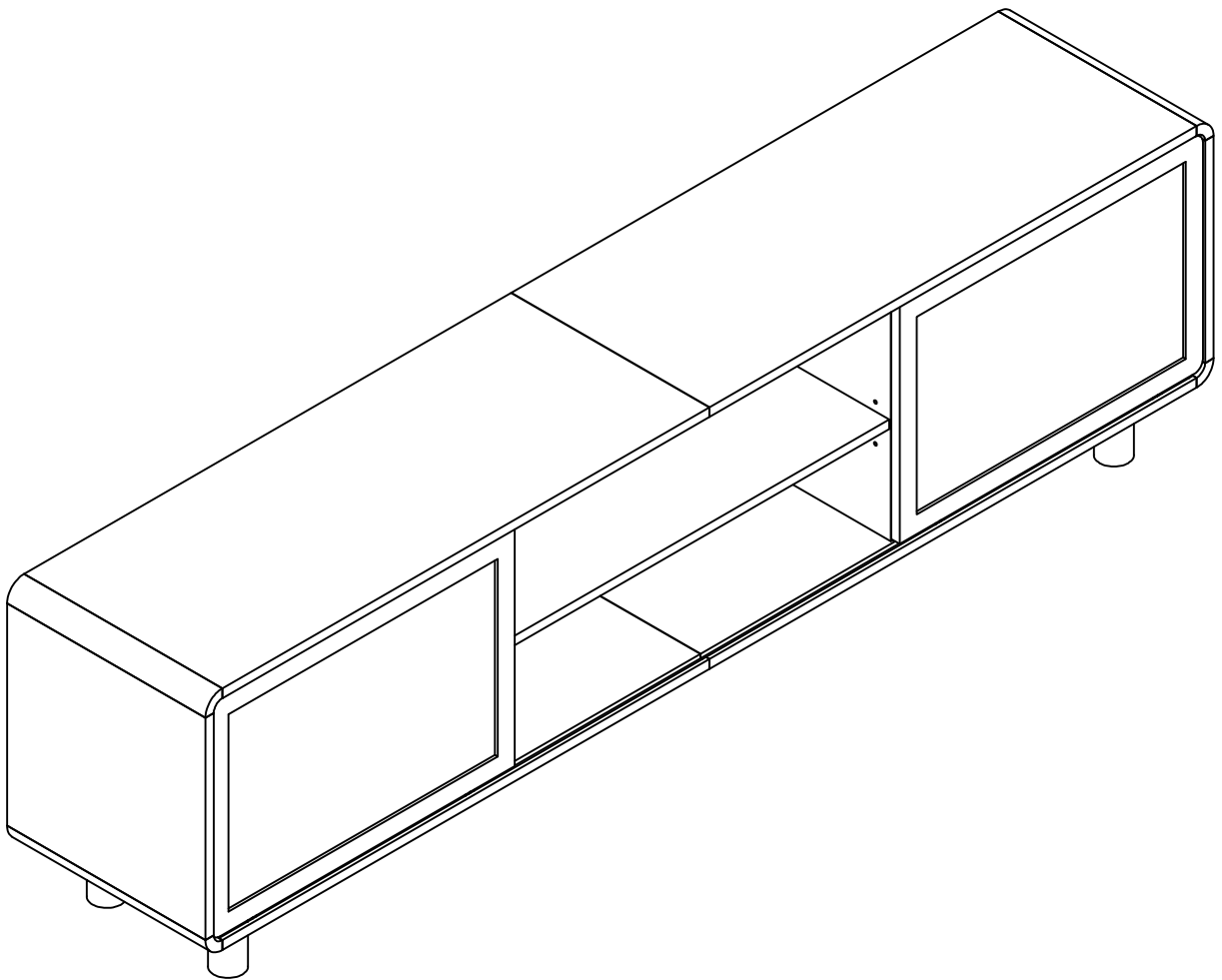


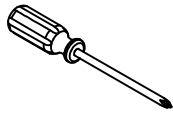
Installation Instruction



Assembling

What you need

- Use the packaging carton as a working surface to prevent product damage during assembly
- Phillips head screwdriver



Weight Limitation

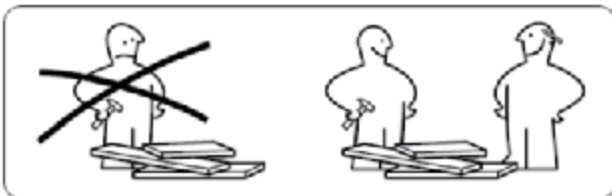


100

lbs table top

| 35

lbs per

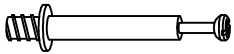


What' included

Code	Description	Qty
A	Cam Bolt M6X35MM	26
B	Cam Lock 15X10MM	26
C	Wooden Dowel M8X30MM	28
D	Screw M4X40MM	6
E	Screw M3.5X14MM	30
F	Connecting piece	7
G	Nylon Strap	2
H	Screw M3.5X14MM	20
I	Shelf Holder	4
J	Plastic Angle code	12
K	Anchor	2
L	MATS	4
M	Hole position sticker	26
N	Sliding wheel	4
O	Adjustable foot	3
P	The bolt	4

The Hardwares

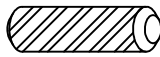
Ⓐ



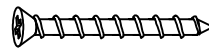
Ⓑ



Ⓒ



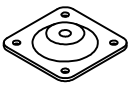
Ⓓ



Ⓔ



Ⓕ



Ⓖ



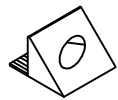
Ⓗ



Ⓘ



Ⓙ



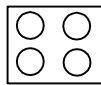
Ⓚ



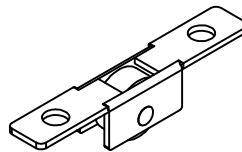
Ⓛ



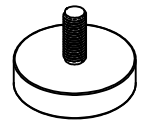
Ⓜ



Ⓝ



Ⓞ



Ⓟ



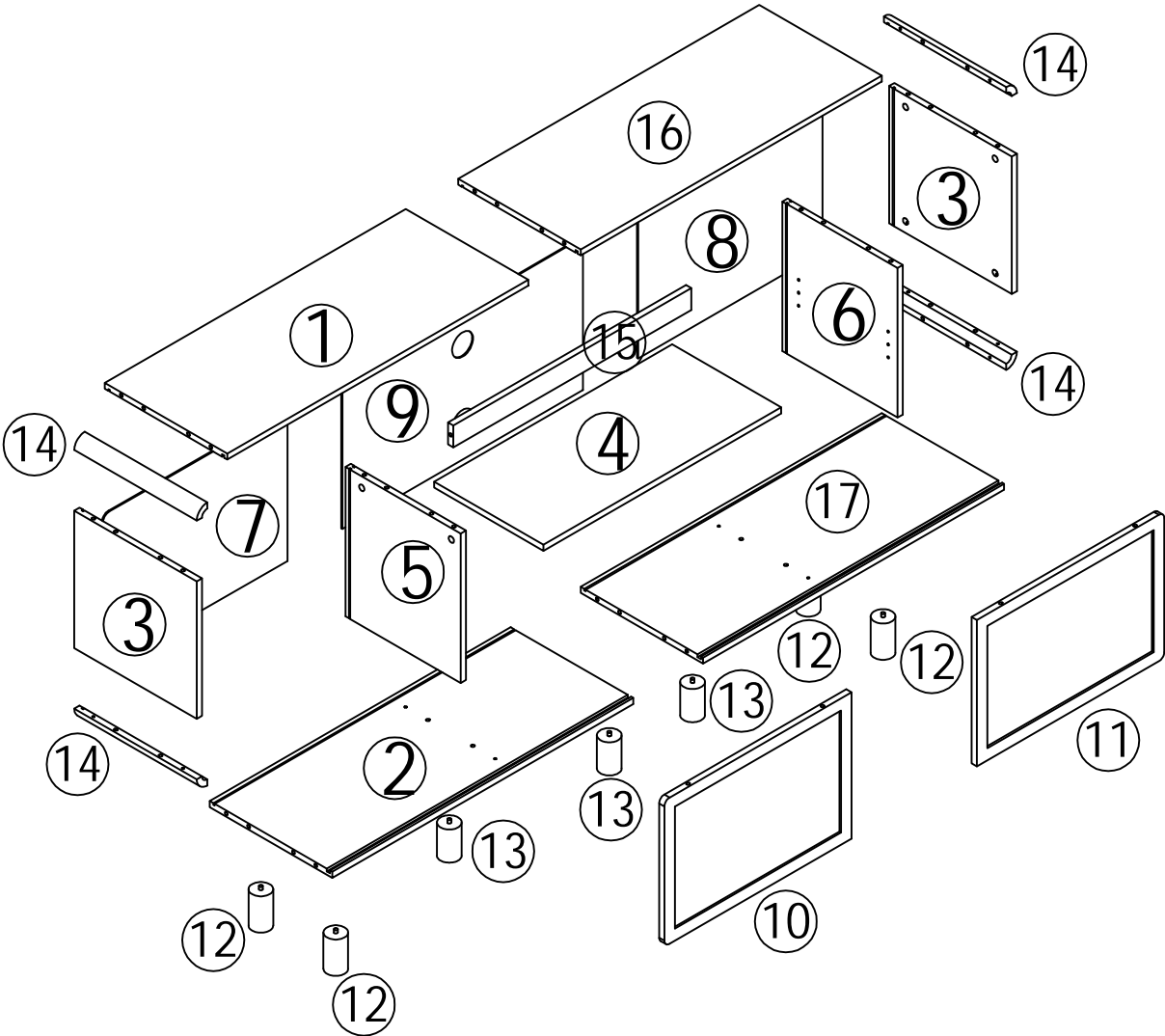
IMPORTANT:

1. Do not tighten bolts / screws completely until all bolts / screws are lined up and inserted into holes.
2. Do not over tighten screws and bolts to avoid stripping
3. Please use hand tools to assemble this product, you can also use power tools (please use power tools carefully).

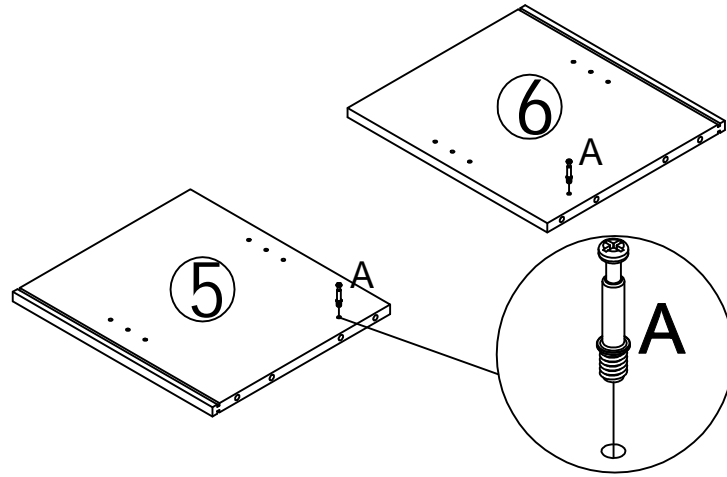
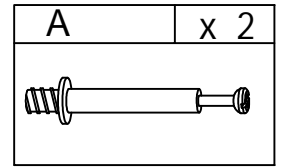
Included Accessories

Code	Description	Qty
1	Left Cabinet Top	1
2	Left Bottom Panel	1
3	Left and Right Side Panel	2
4	The move Layer board	1
5	Left median septum plate	1
6	Right median septum plate	1
7	Left Back plate	1
8	Right Back plate	1
9	Back plate	1
10	the door	1
11	the door	1
12	Side foot	4
13	Adjustable feet	3
14	Curved strip	4
15	Reinforcing strip	1
16	Right Cabinet Top	1
17	Right Bottom Panel	1

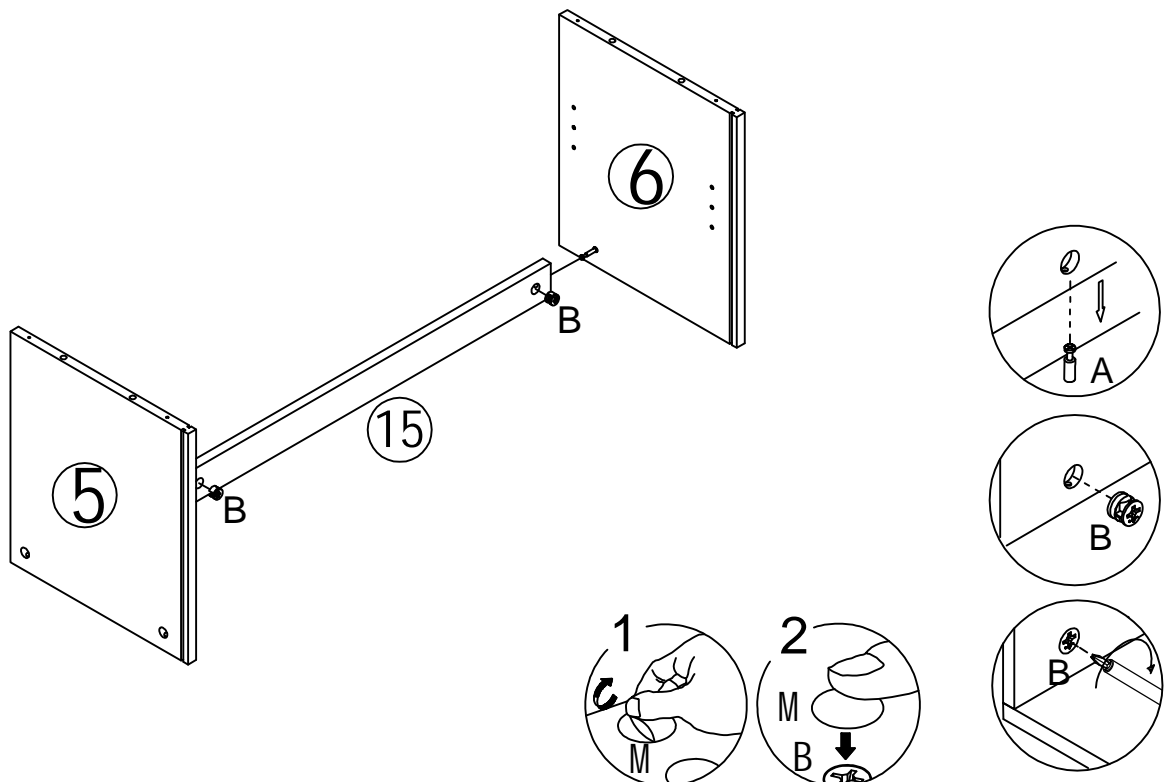
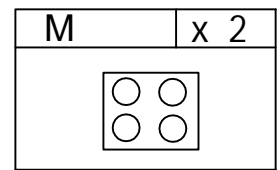
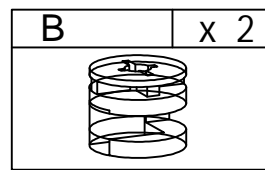
The Accessoriess



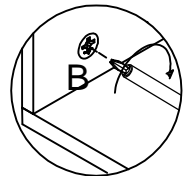
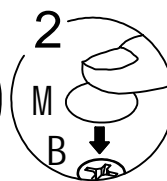
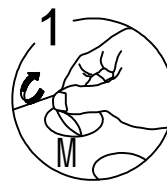
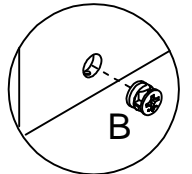
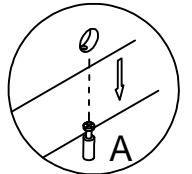
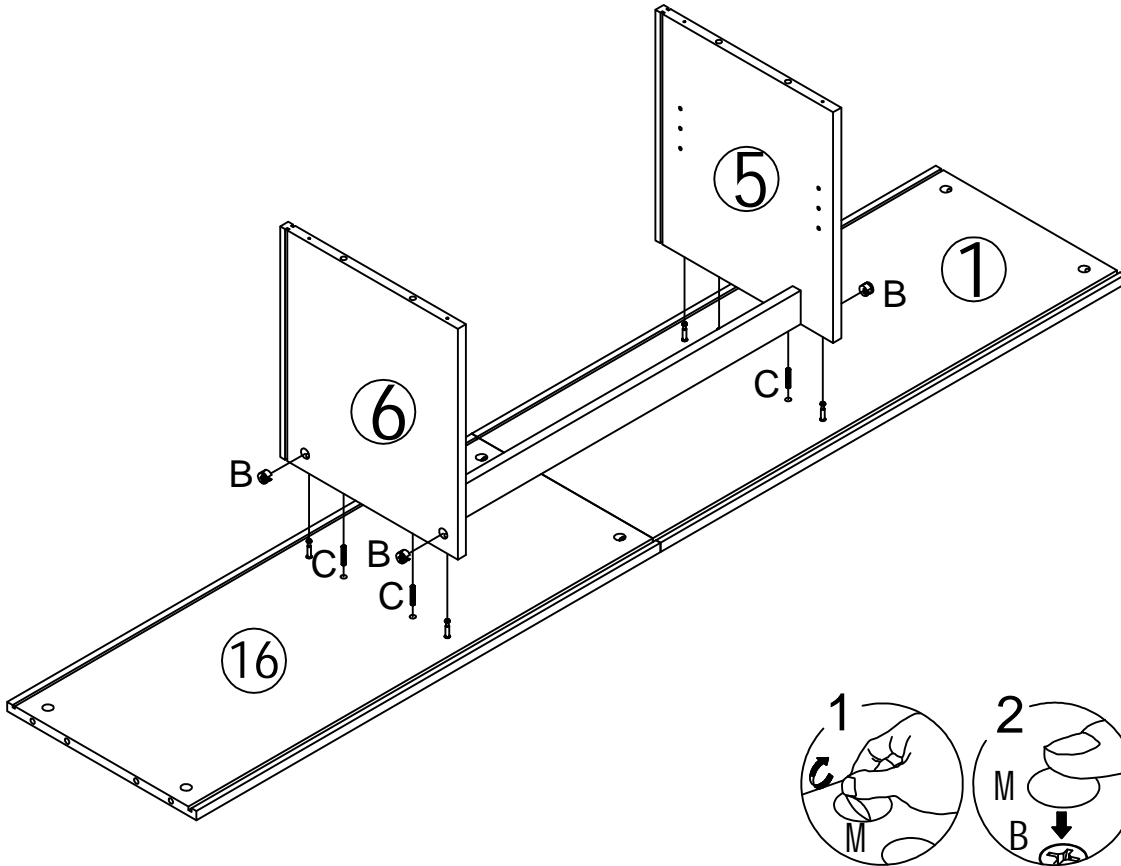
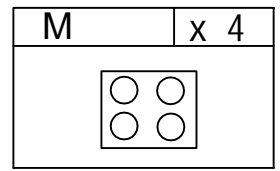
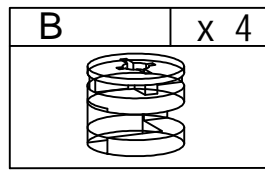
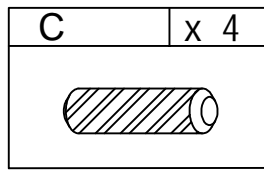
Step 3



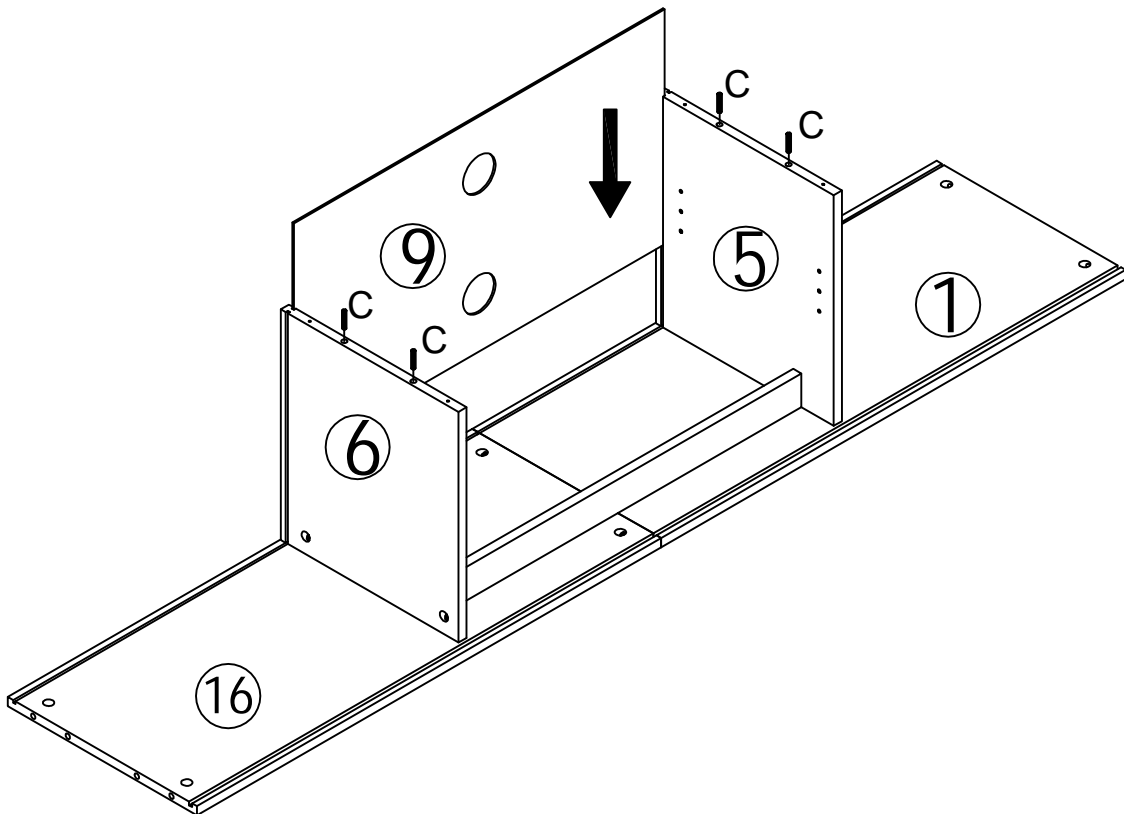
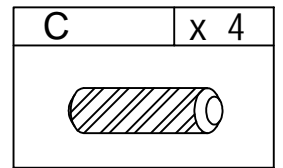
Step 4



Step 5

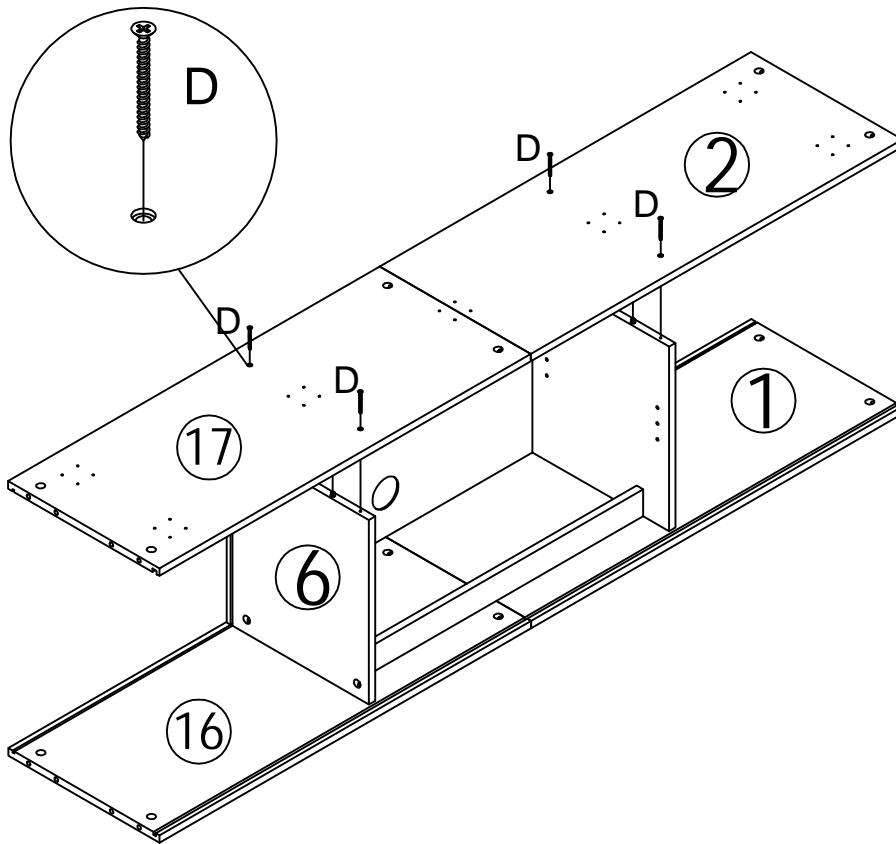
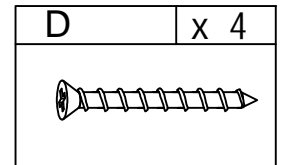


Step 6

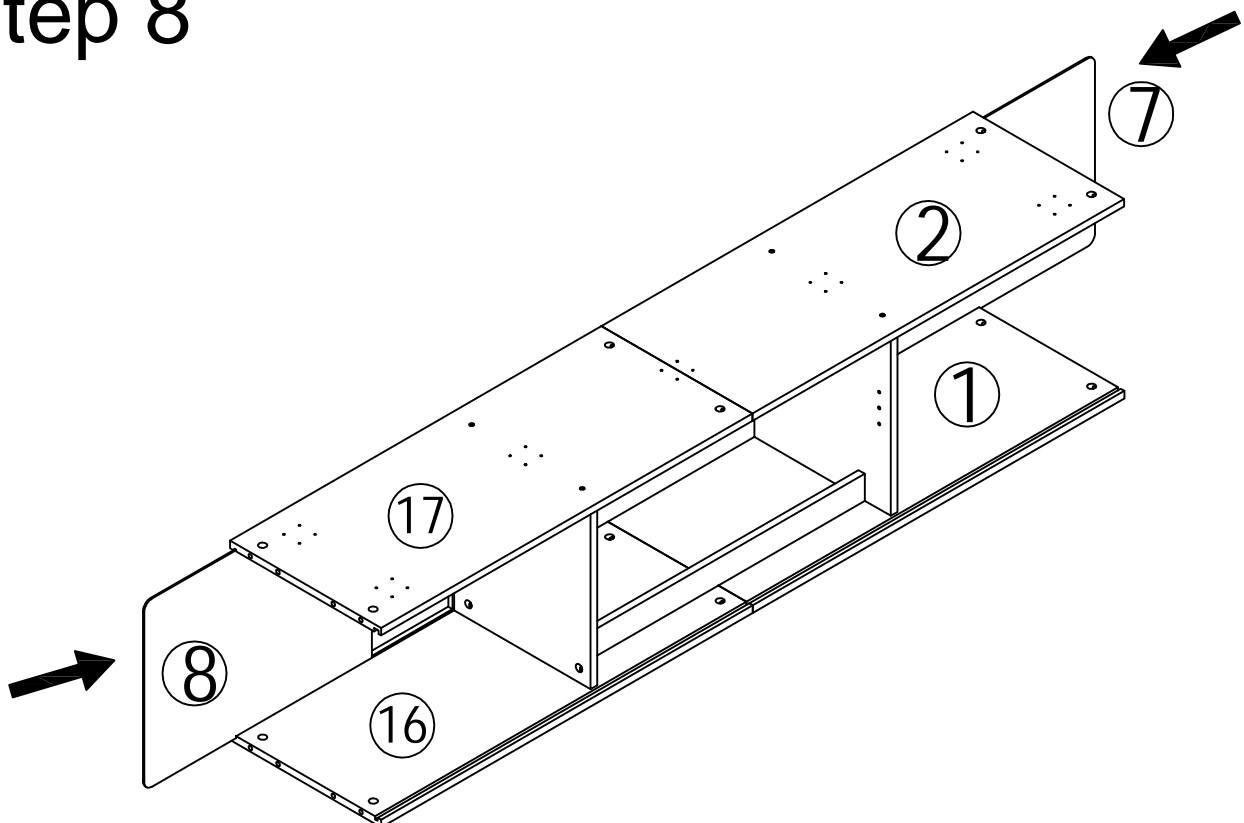


Step 7

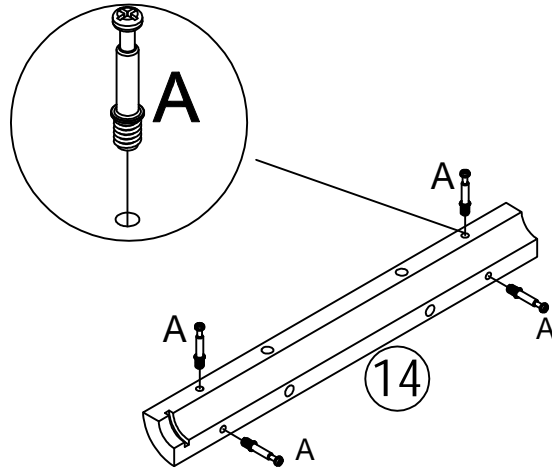
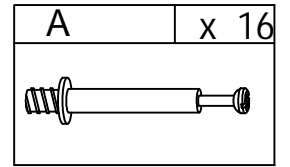
Please have multiple people install this step carefully to avoid the breakage of Board No. 2 and Board No. 17.



Step 8

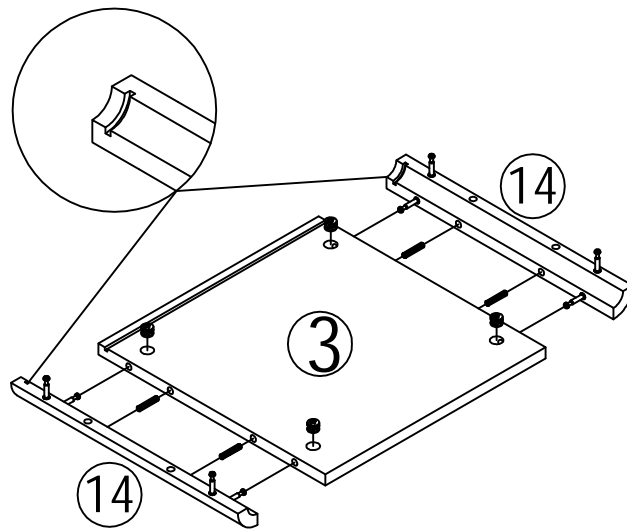
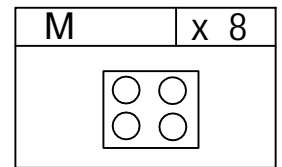
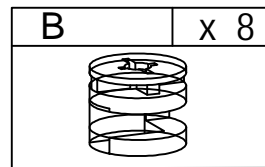
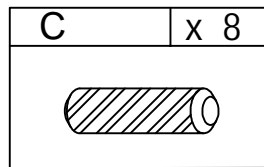


Step 9

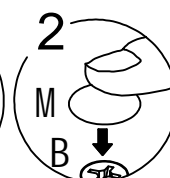
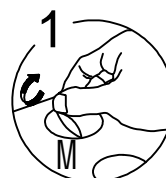
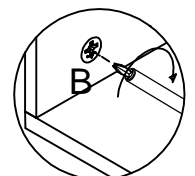
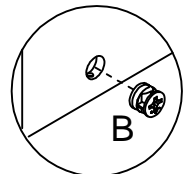
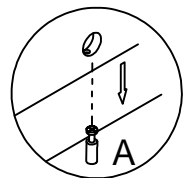


x 4

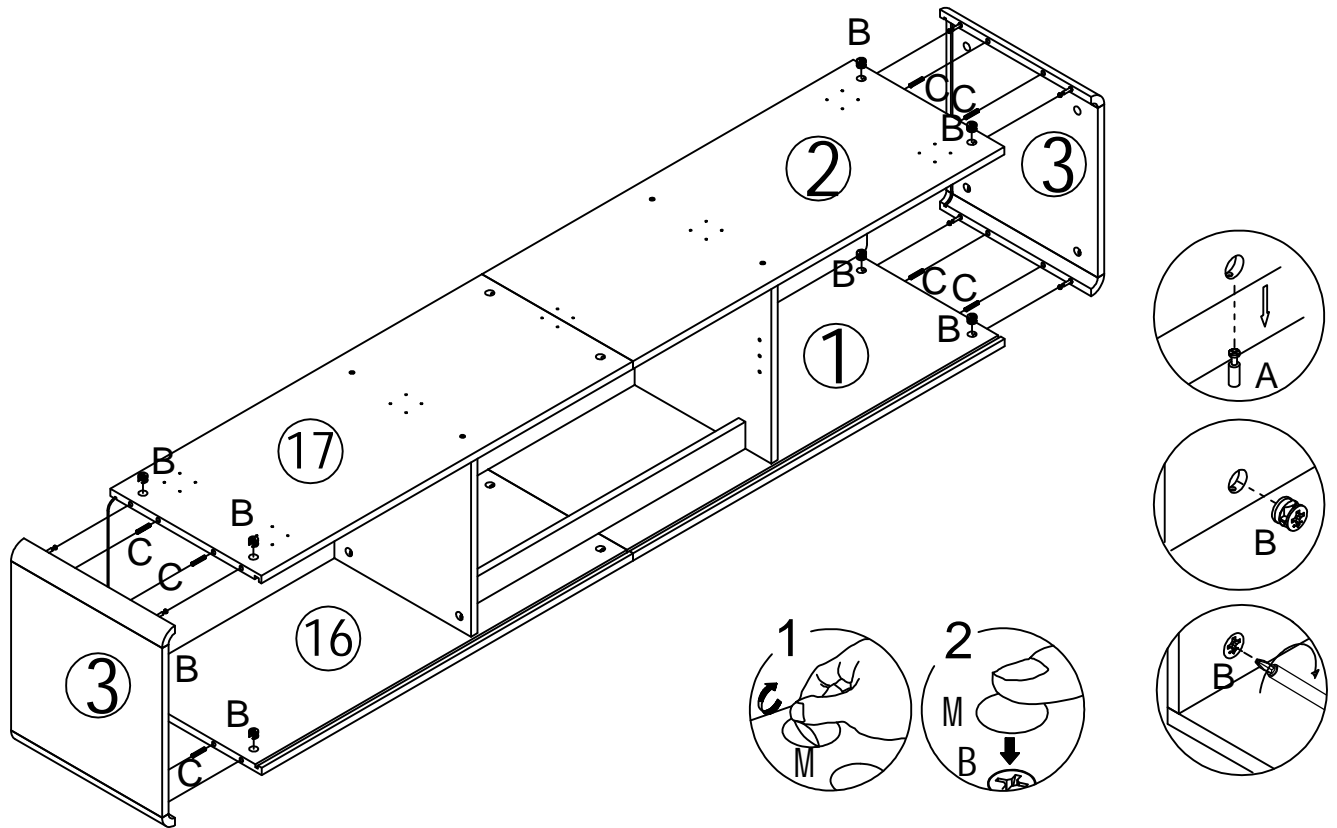
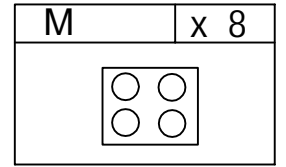
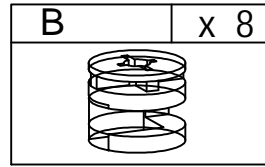
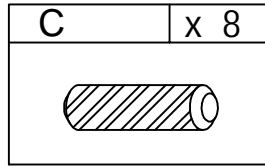
Step 10



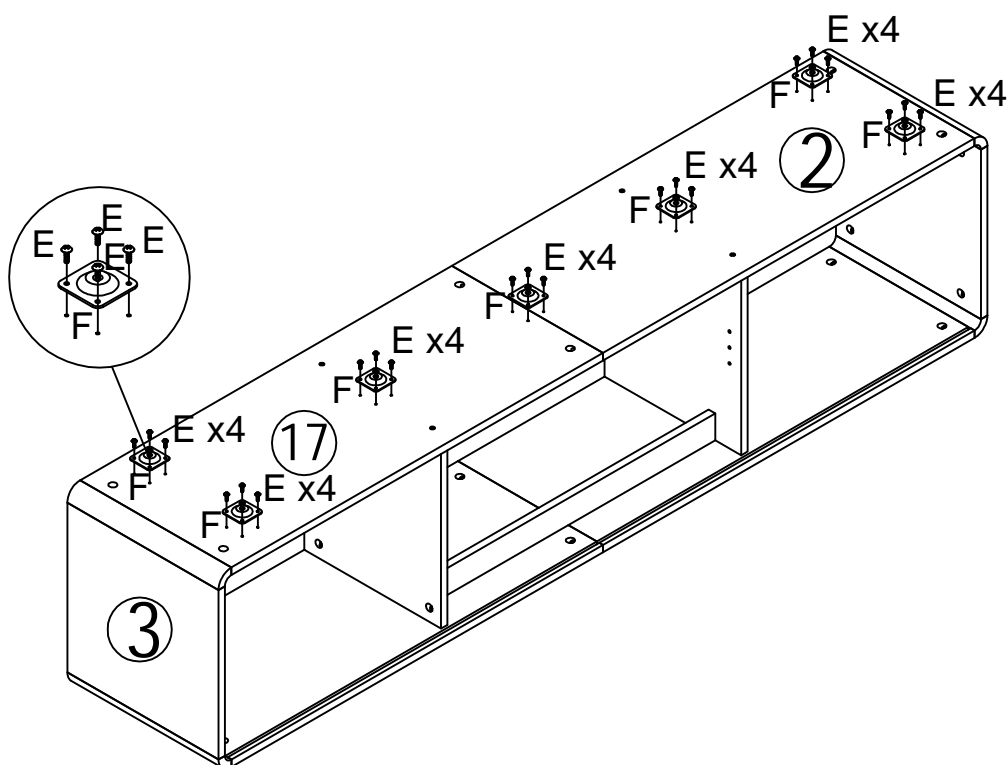
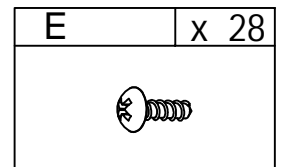
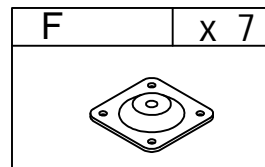
x 2



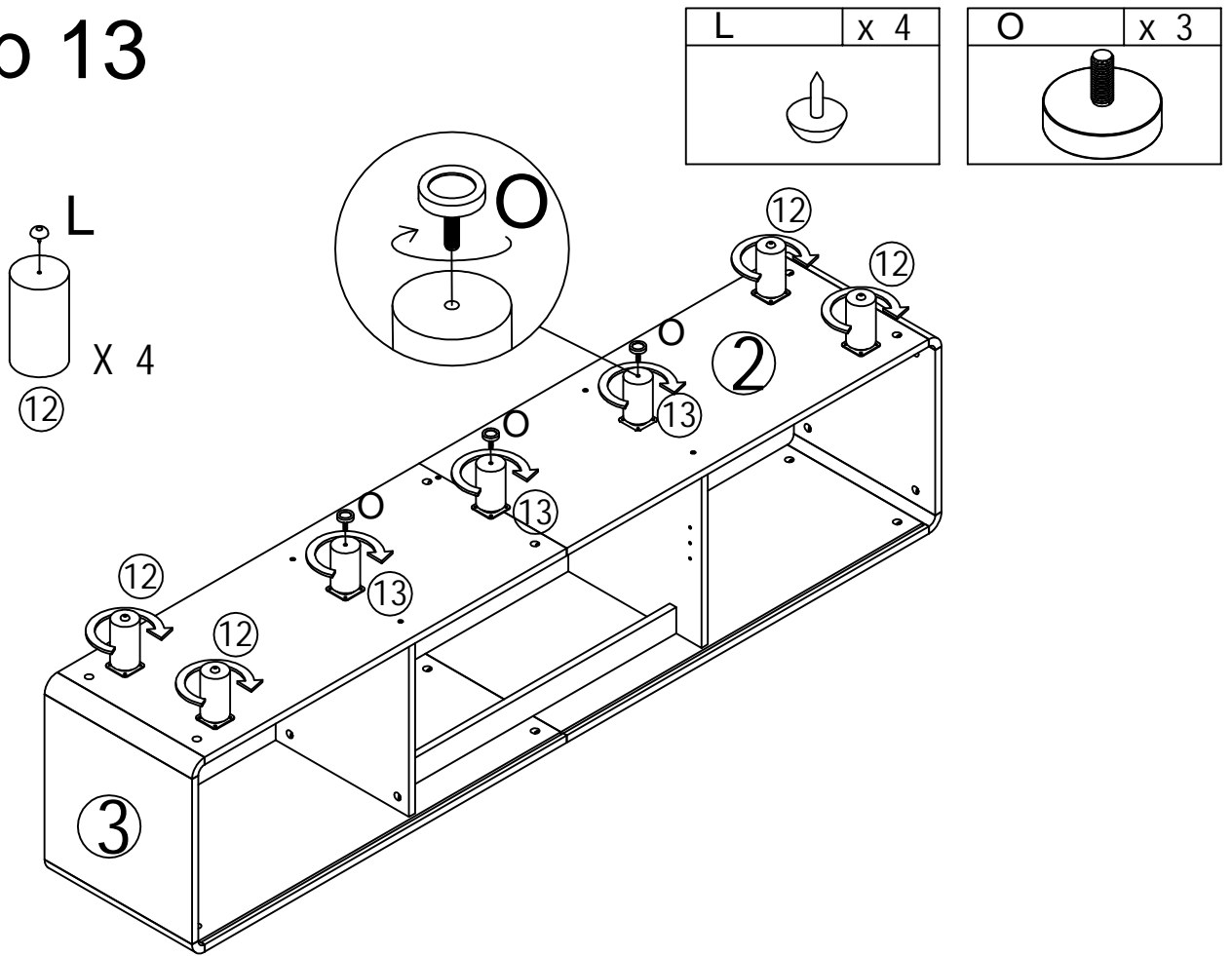
Step 11



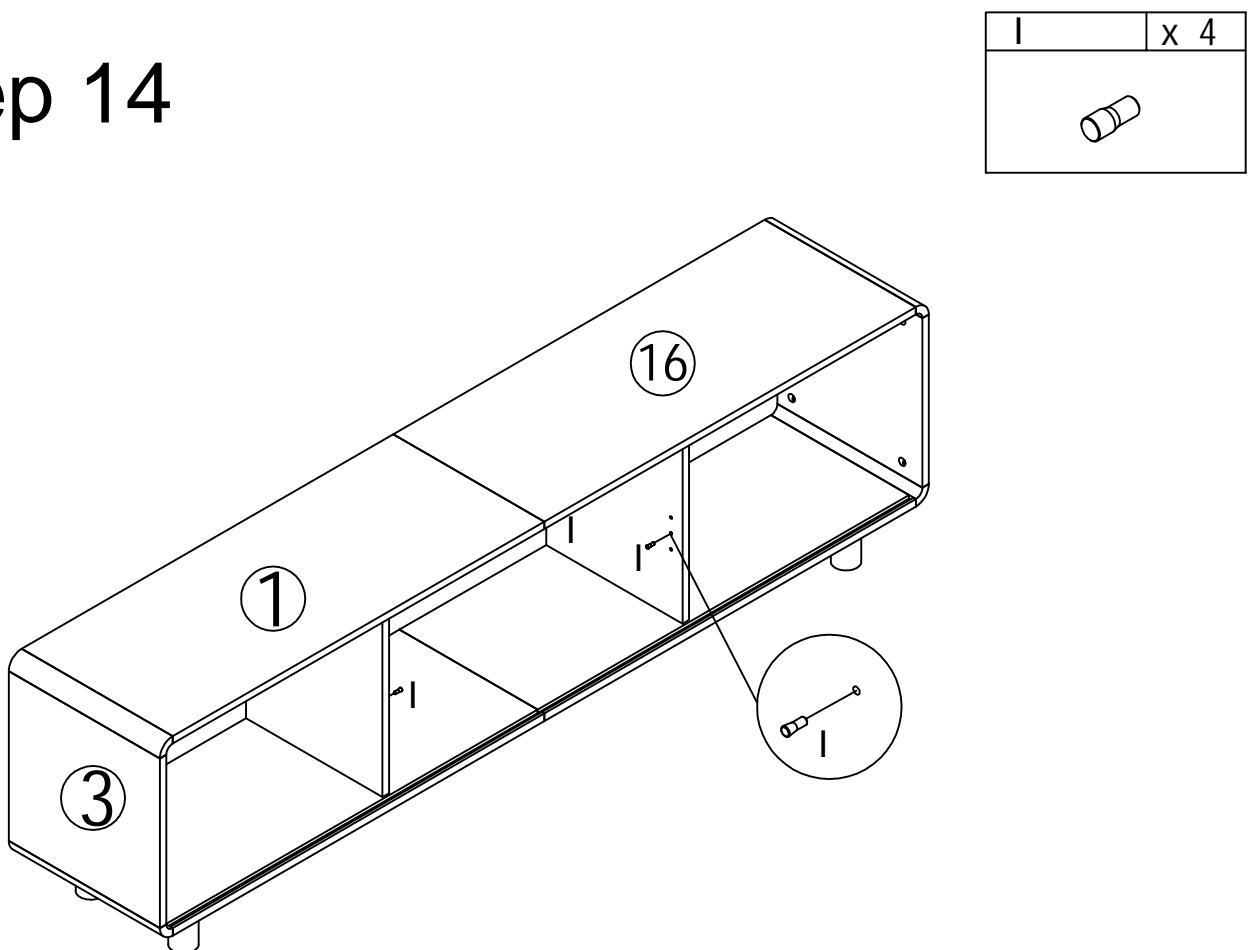
Step 12



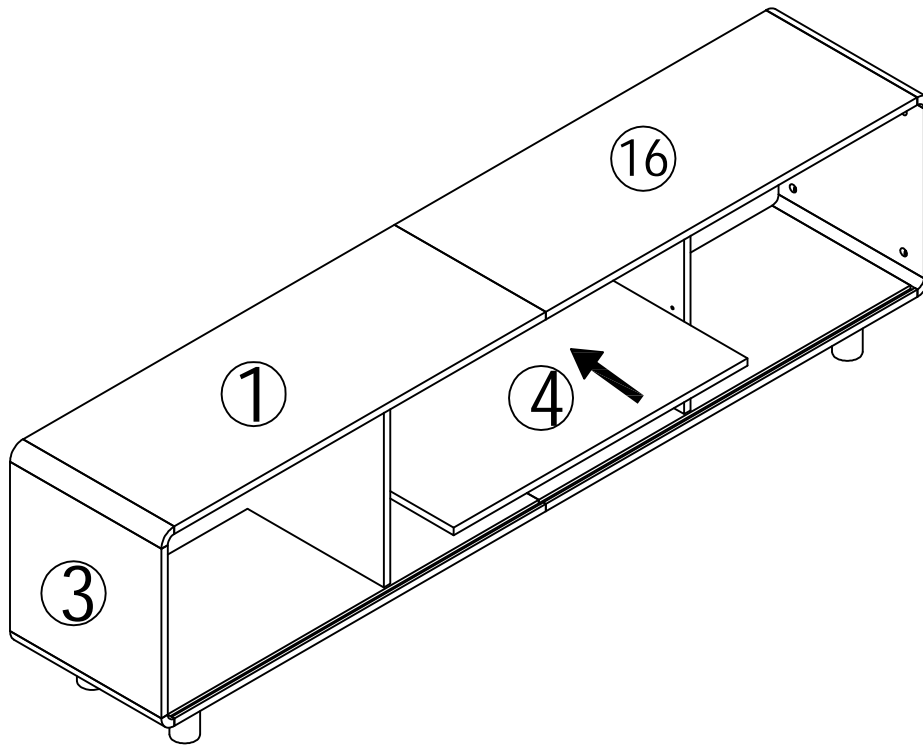
Step 13



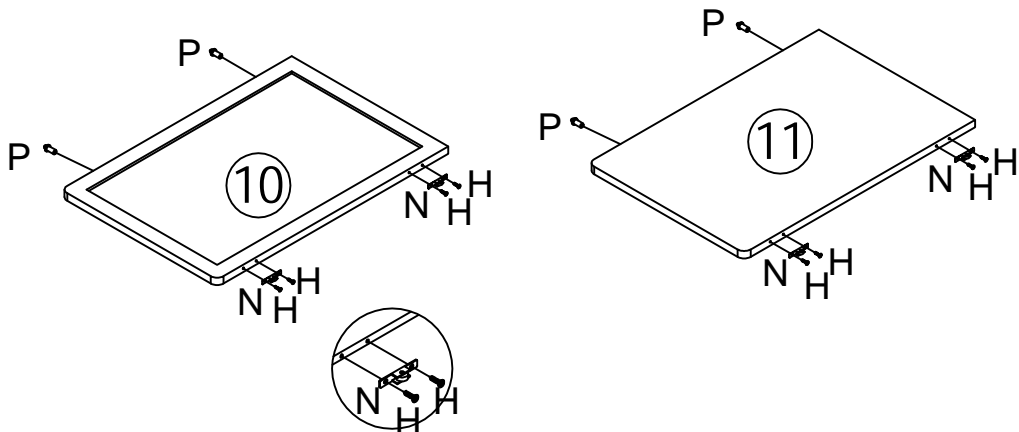
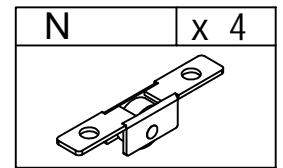
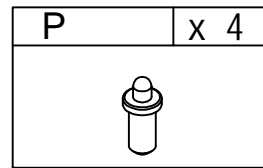
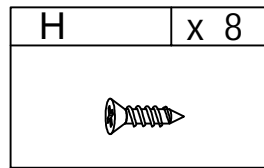
Step 14



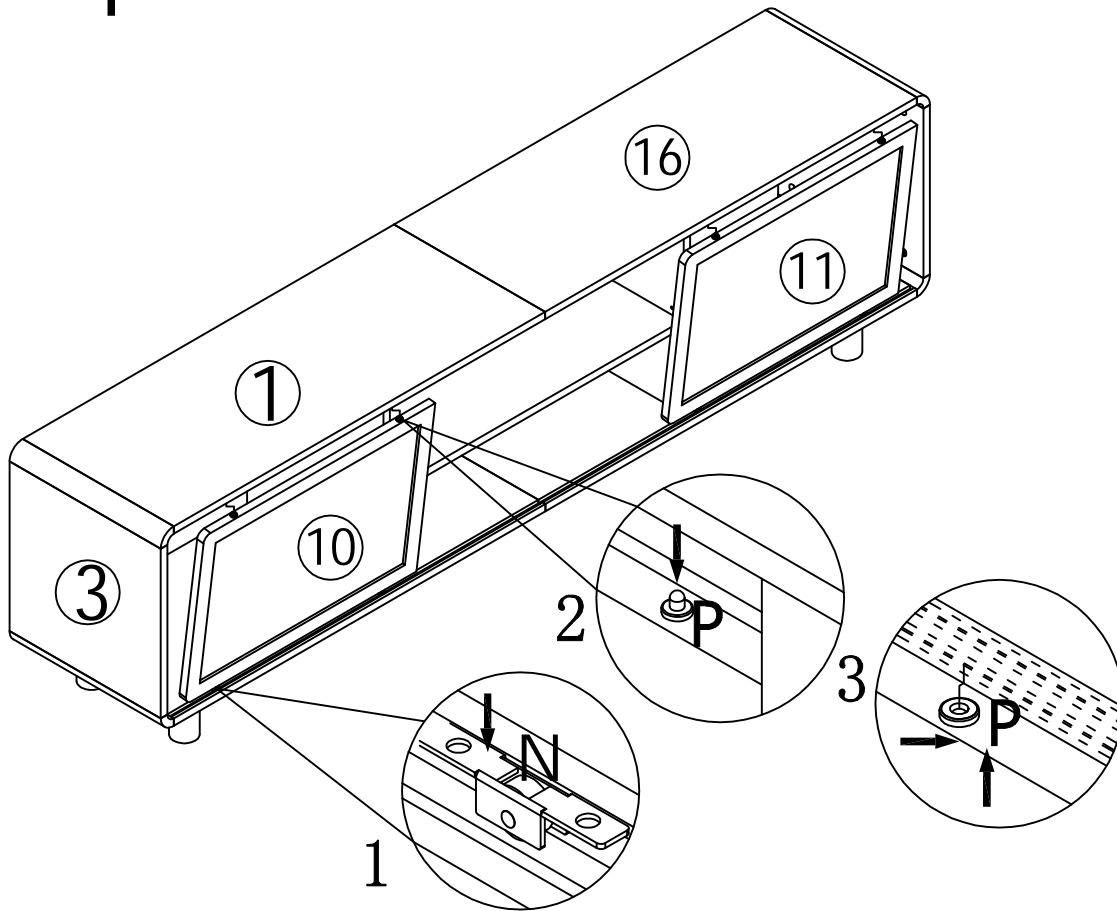
Step 15



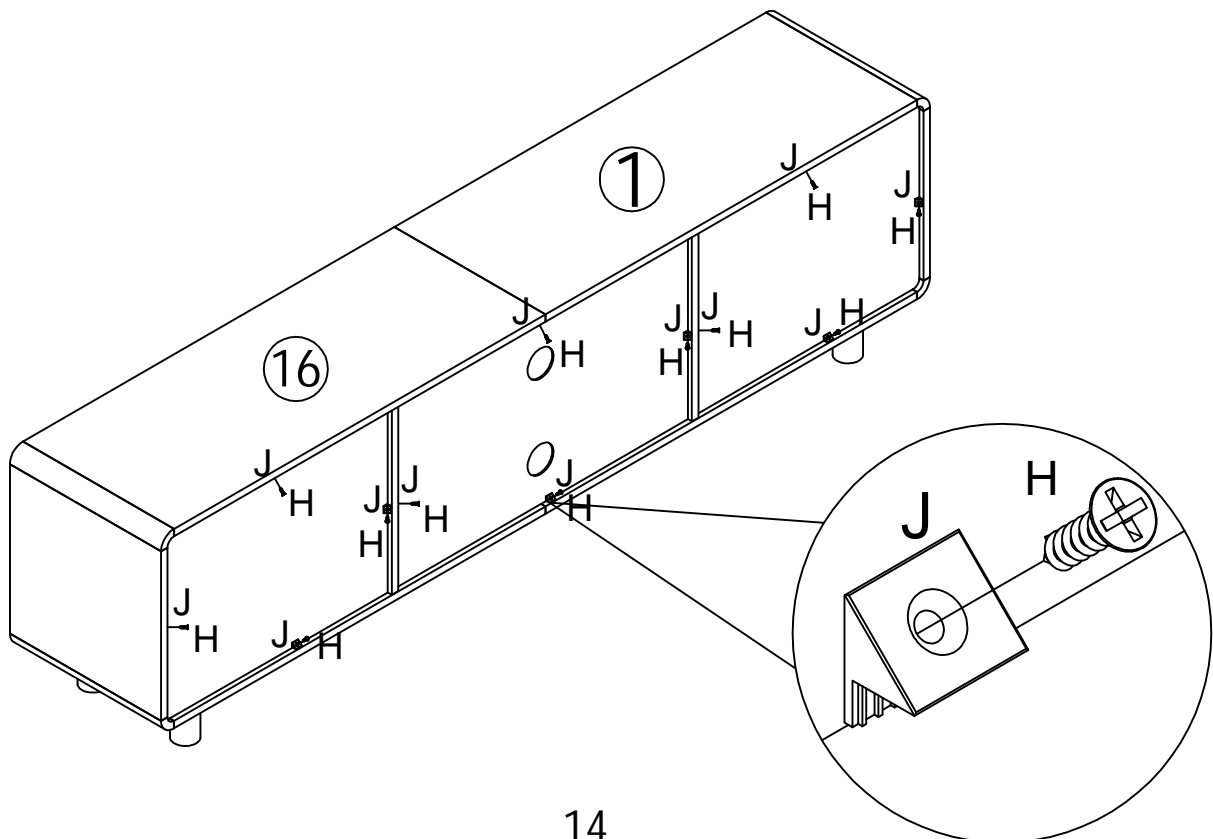
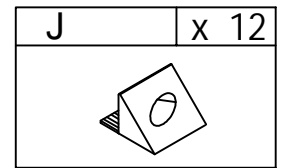
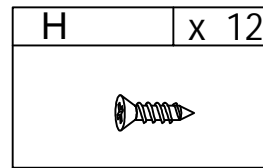
Step 16



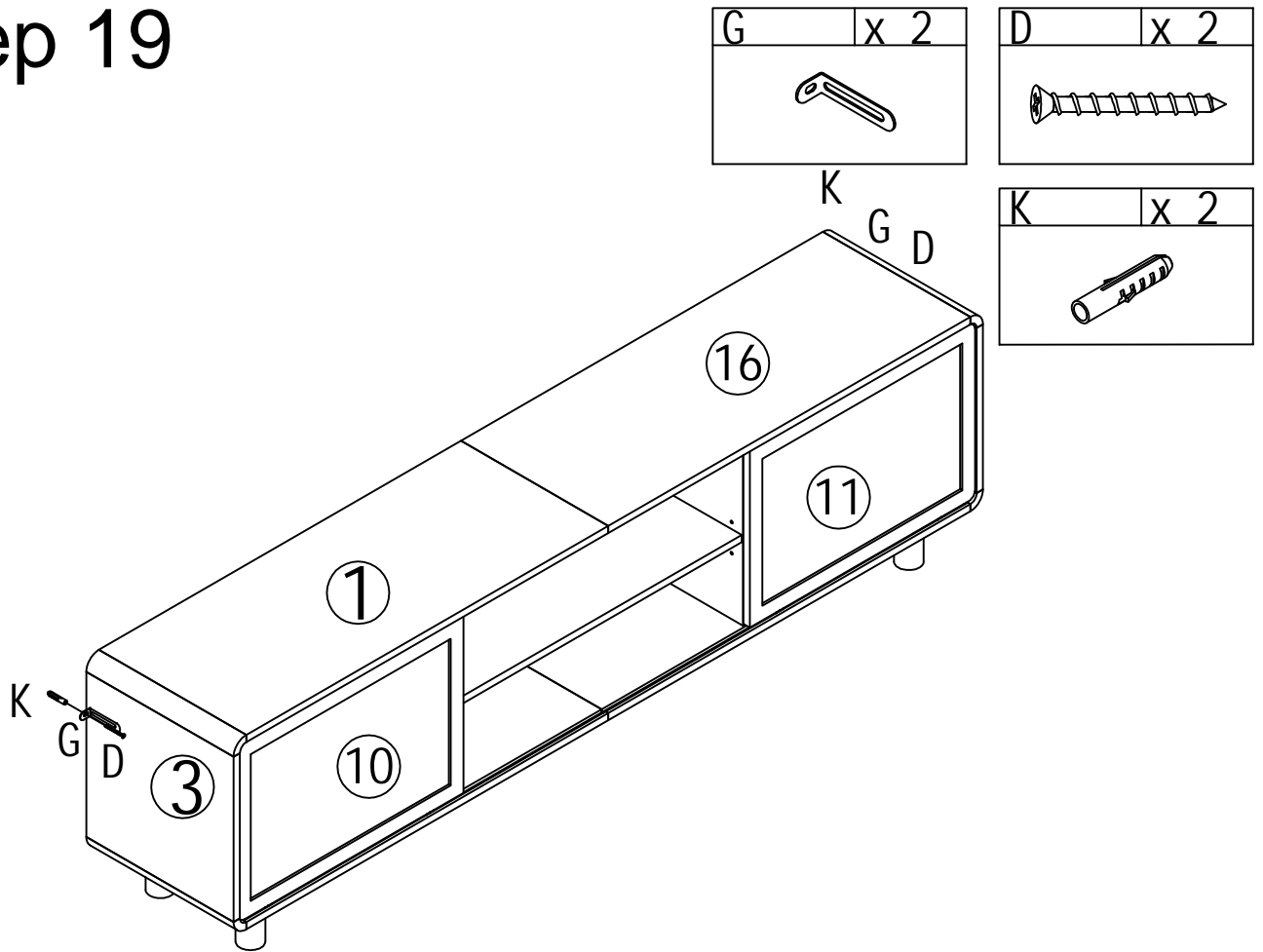
Step 17



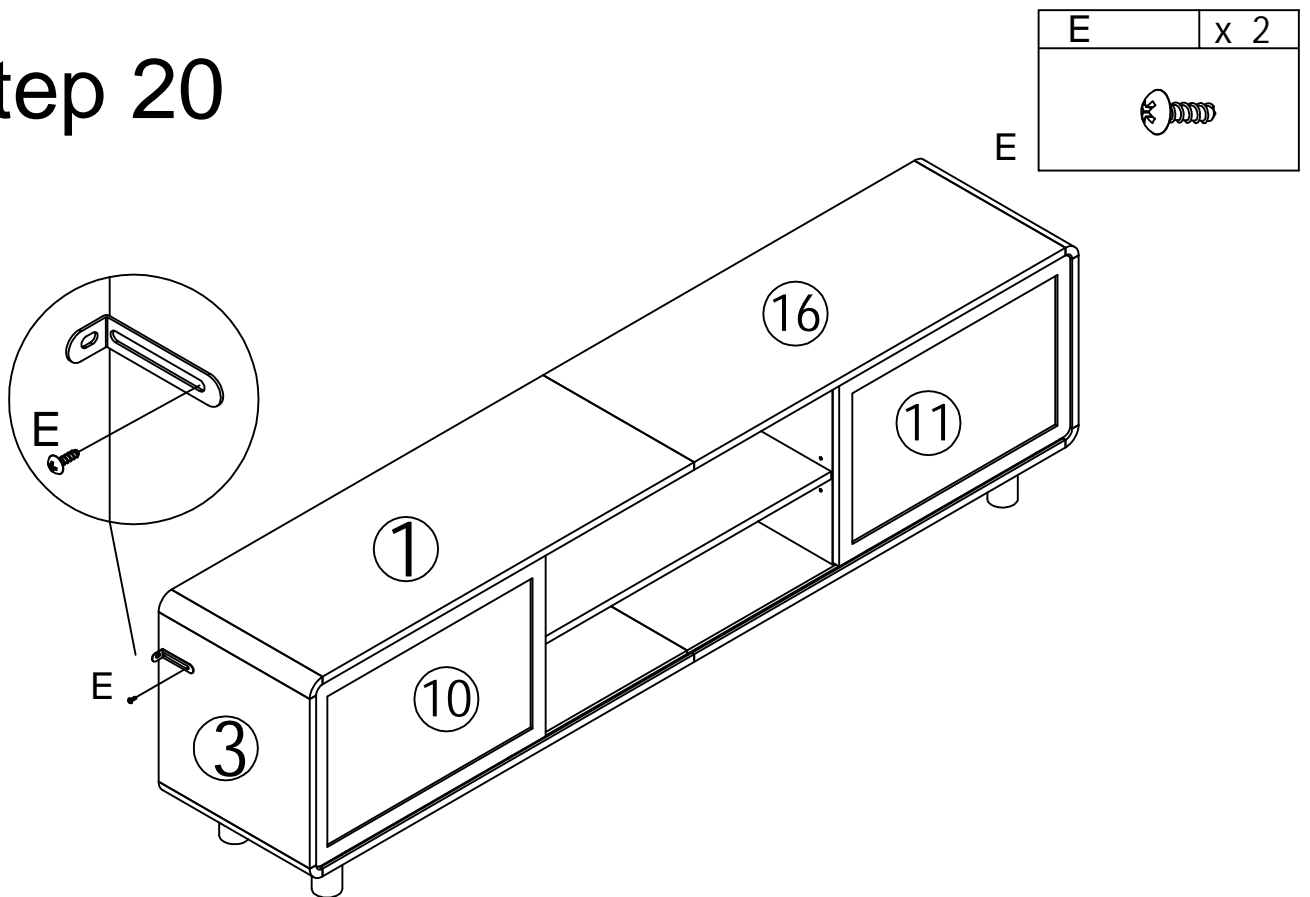
Step 18

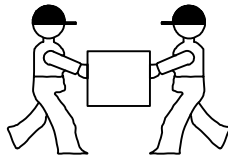
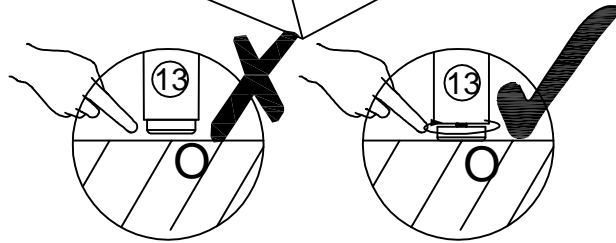
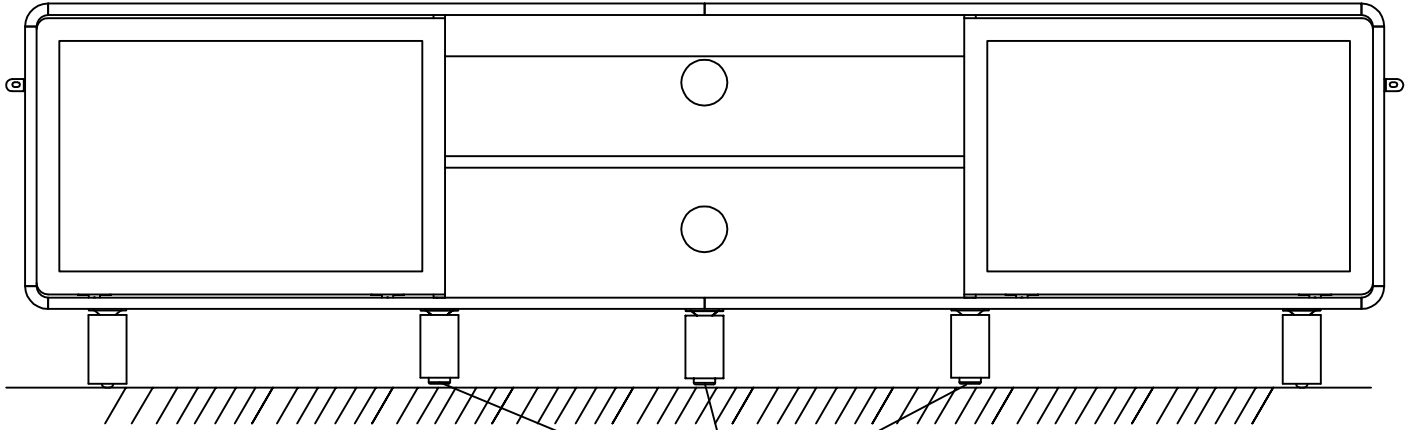


Step 19



Step 20





Two people work together to move the table.
Make sure you lift it off the ground.
Don't push and pull.