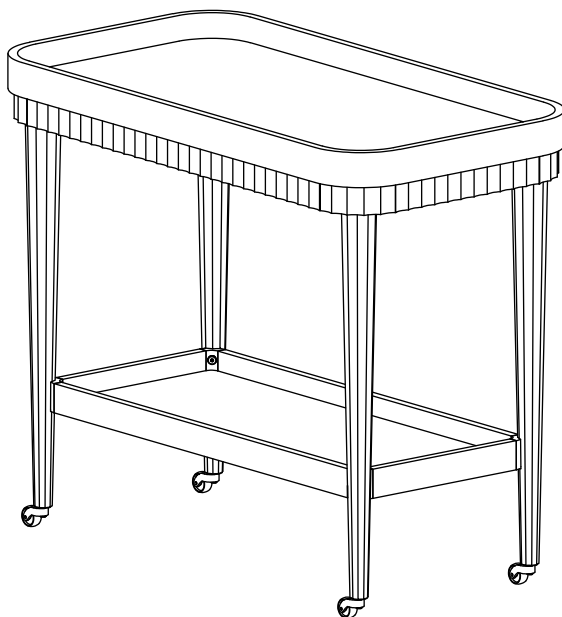


FELICIABRIANA WOOD 2 SHELF BARCART

DESIGN# SFV4247

Assembly Instructions



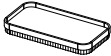
SAFAVIEH
C O U T U R E

Thanks for bringing Safavieh Couture into your home

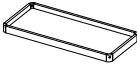
Everything we make is incredibly simple to set up, including your new bar cart. You won't need any additional tools.

Parts List

A x 1
Top Tray



B x 1
Bottom Tray



C x 4
Legs



Hardware List

HW1 x 4
Bolt M8x25



HW2 x 16
Bolt M8x20



HW3 x 1
Allen key



HW4 x 16
Flat Washer M8x18mm

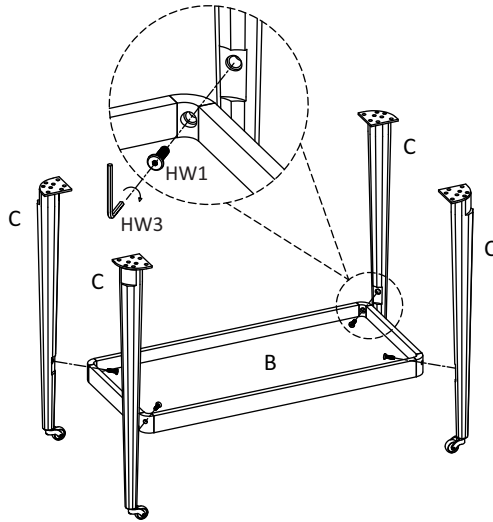


HW5 x 16
Spring washer M8x14mm



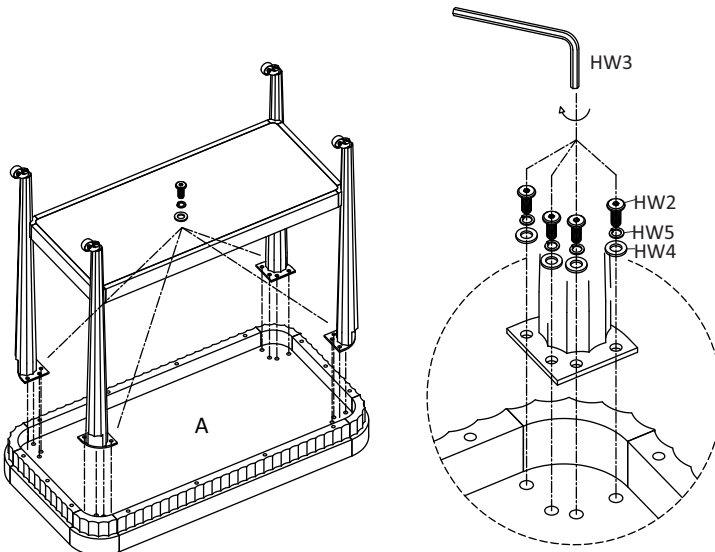
1

Attach the Bottom tray (B) to the Legs (C) by using Allen key (HW3) to screw in the Bolt (HW1) as shown.



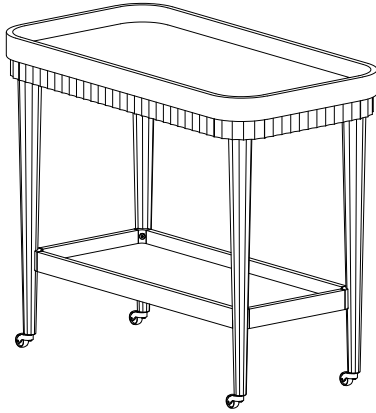
2

Place the Top tray (A) upside down on a soft surface. Place the Spring Washer (HW5) and Flat Washer (HW4) on the bolts (HW2). Attach the Legs (C) to the Top tray (A) by using Allen key (HW3) to screw in the bolt (HW2) with the washers as shown.



Place the bar cart in the place where you will use it. We'd love to see it – just tag us (we're @safavieh) and use the hashtag #safavieh on Instagram!

@safavieh



Need help?

Feel free to contact us via email or call
if you have any specific questions!

contact us:

cs@safavieh.com

866-422-9070