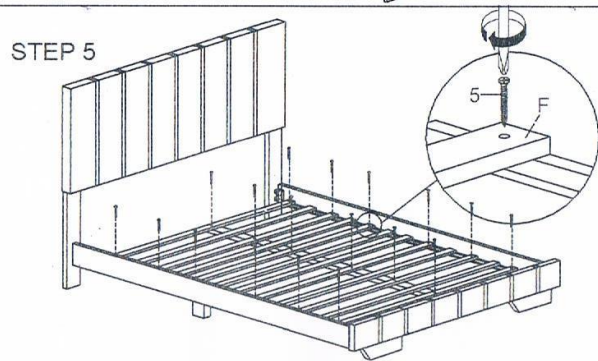
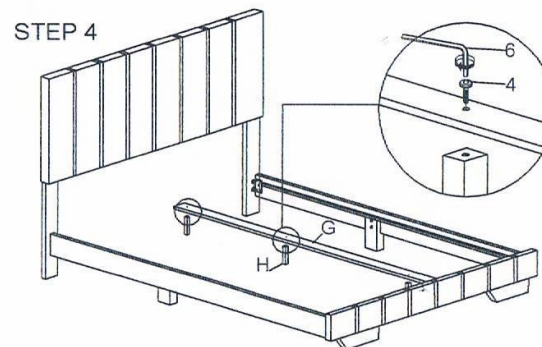
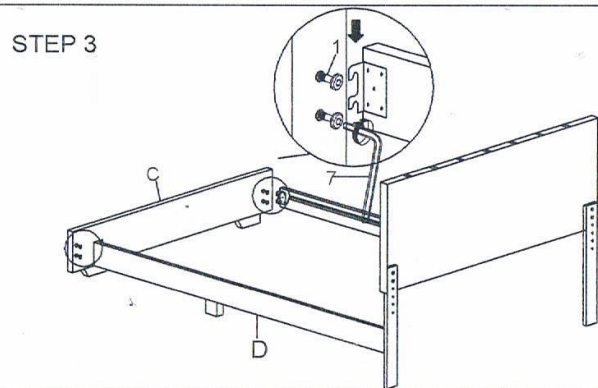
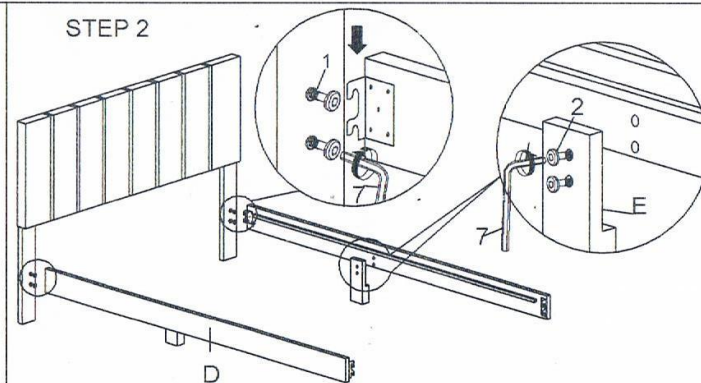
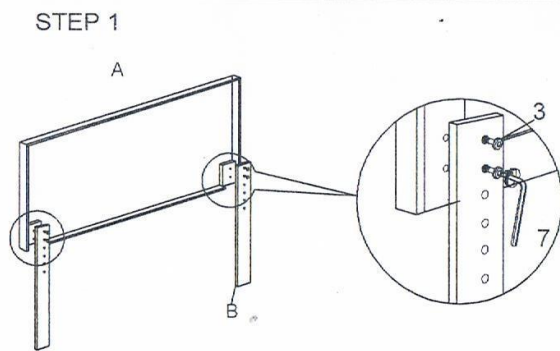


ASSEMBLY INSTRUCTION

| NO. | PART LIST | QTY |
|-----|-------------------|-------|
| A | HEADBOARD | 1PC |
| B | B/POST SUPPORT | 2PCS |
| C | FOOTBOARD | 1PC |
| D | SIDE RAIL | 2PCS |
| E | SIDE RAIL SUPPORT | 2PCS |
| F | SLAT | 12PCS |
| G | C/SLAT | 1PCS |
| H | C/LEG | 3PCS |
| NO. | HARDWARE LIST | QTY |
| 1 | JCBB M8 x 16mm | 8PCS |
| 2 | JCBB M8 x 25mm | 4PCS |
| 3 | JCBB M8 x 40mm | 4PCS |
| 4 | JCBC M6 x 40mm | 3PCS |
| 5 | CSK M4 x 25mm | 18PCS |
| 6 | ALLEN KEY M4 | 1PCS |
| 7 | ALLEN KEY M5 | 1PCS |



ASSEMBLY COMPLETED

