













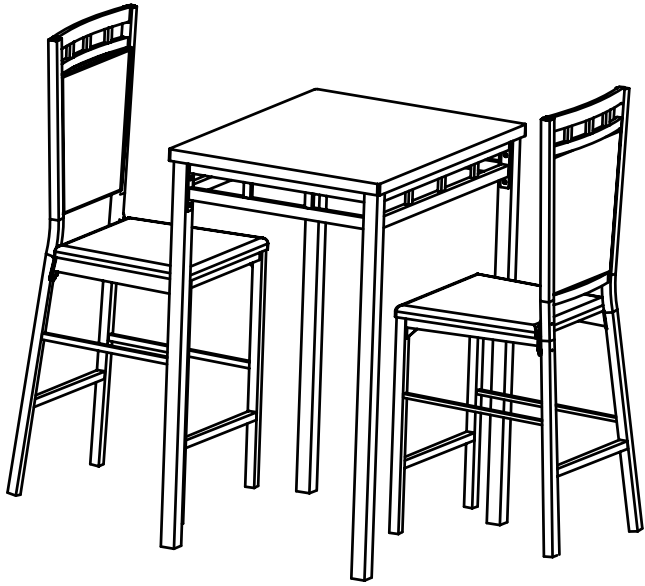


ASSEMBLY INSTRUCTION

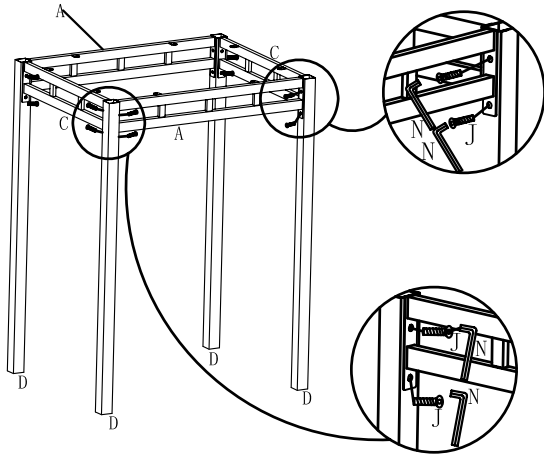
PARTS&HARDWARE LIST

A		Long Table Apron	2PCS
B		Table Top	1PC
C		Short Table Apron	2PCS
D		Table Leg	4PCS
E		Chair Side Frame	4PCS
F		Front Top Stretcher	2PCS
G		Front Bottom Stretcher	2PCS
H		Back	2PCS
I		Seat Cushion	2PCS
J		Long Bolt 1/4*16mm	24PCS
K		Long Bolt 1/4*43mm	12PCS
L		Screw M5*58mm (Chair)	8PCS
M		Screw M5*20mm (Table)	8PCS
N		L-Allen Key 4mm	1PC

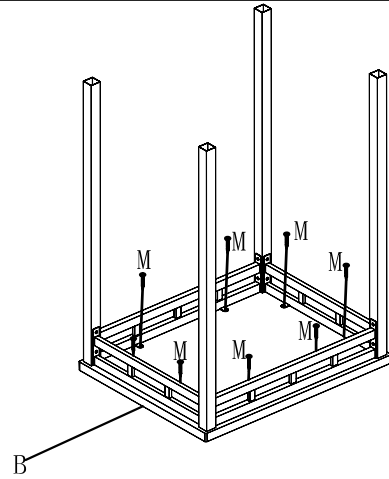


IMPORTANT NOTE: PLEASE NOT TIGHTEN ANY BOLTS UNTIL ALL OF THEM ARE PUT IN PLACES THEN TIGHTEN THE BOLTS.

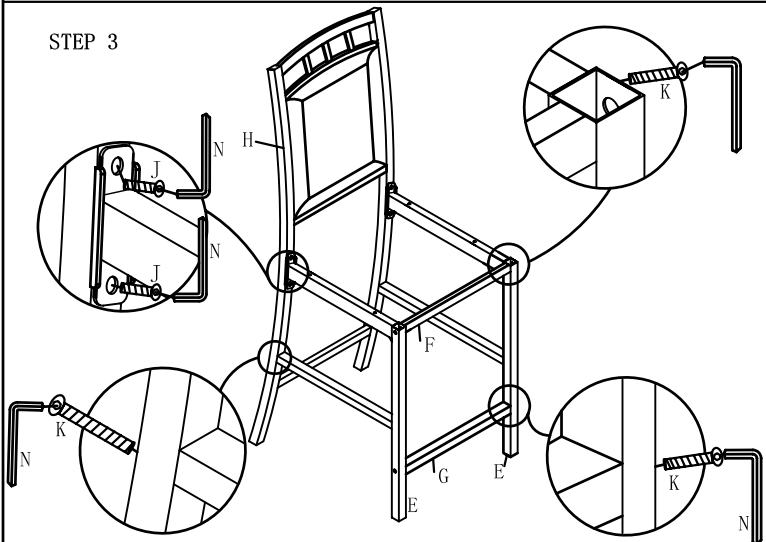
STEP 1



STEP 2



STEP 3



STEP 4

