

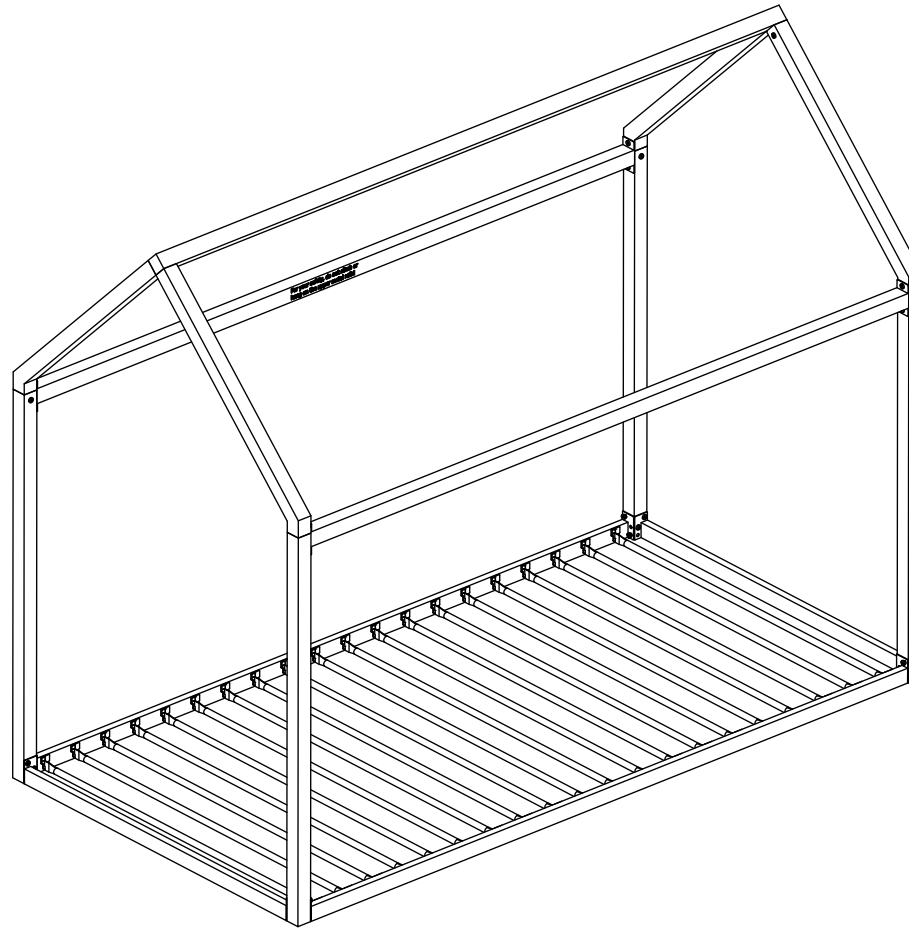
# Metal House Bed

Twin

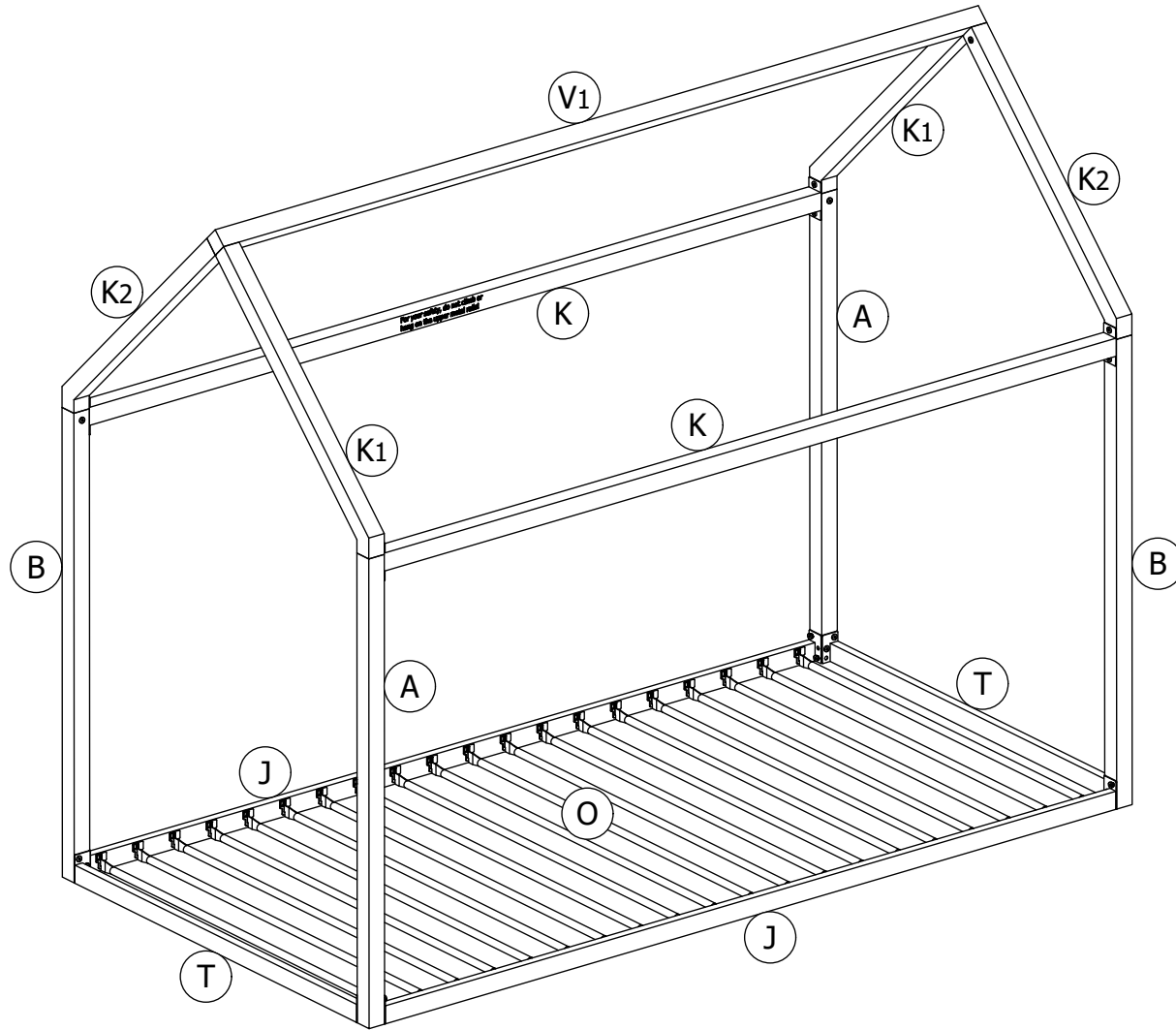
**Weight Limit:**

Bed: 400 LBS / 181 KG

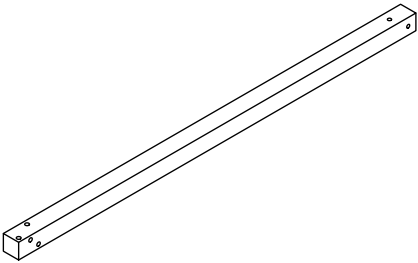
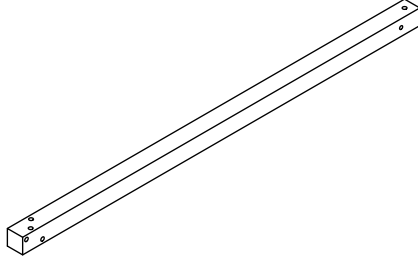
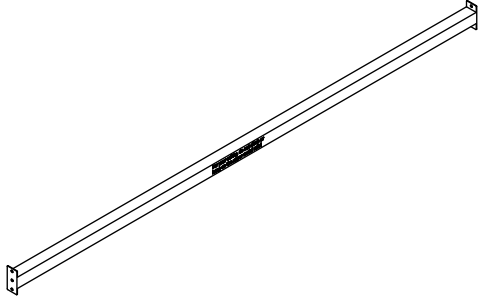
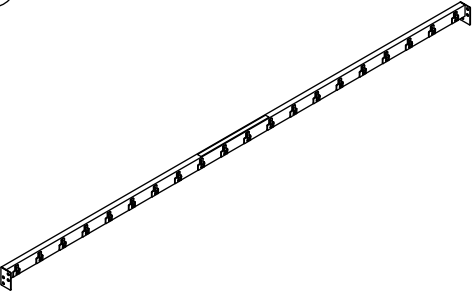
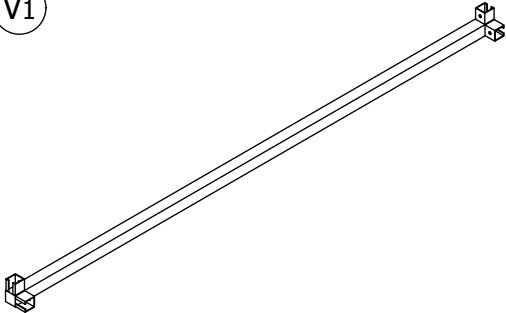
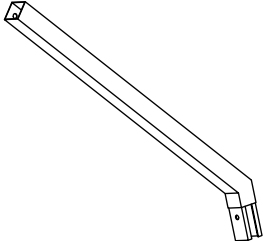
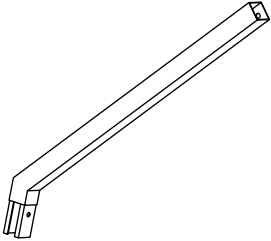
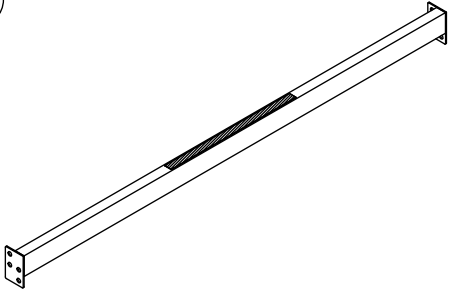
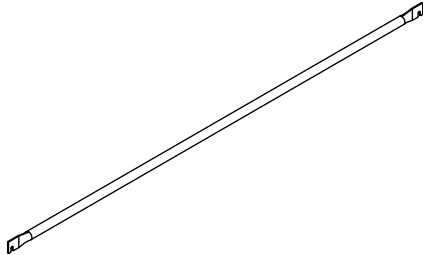
Upper Rail: 15 LBS / 7 KG




# PARTS LIST

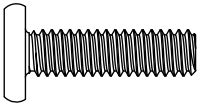
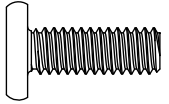
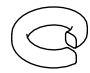
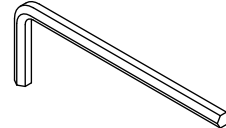


# PARTS LIST

			
<p>Post 2 PCS</p>	<p>Post 2 PCS</p>	<p>Side Rail 2 PCS</p>	
			
<p>Side Rail 2 PCS</p>	<p>Connector Bar 1 PC</p>	<p>Connector Bar 2 PCS</p>	<p>Connector Bar 2 PCS</p>
			
<p>Side Guard Rail 2 PCS</p>	<p>Slat 20 PCS</p>		

 Before throwing any packaging, please verify all contents and make sure you have received all the parts listed above!

# HARDWARE LIST

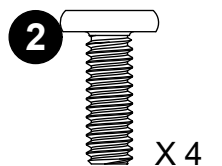
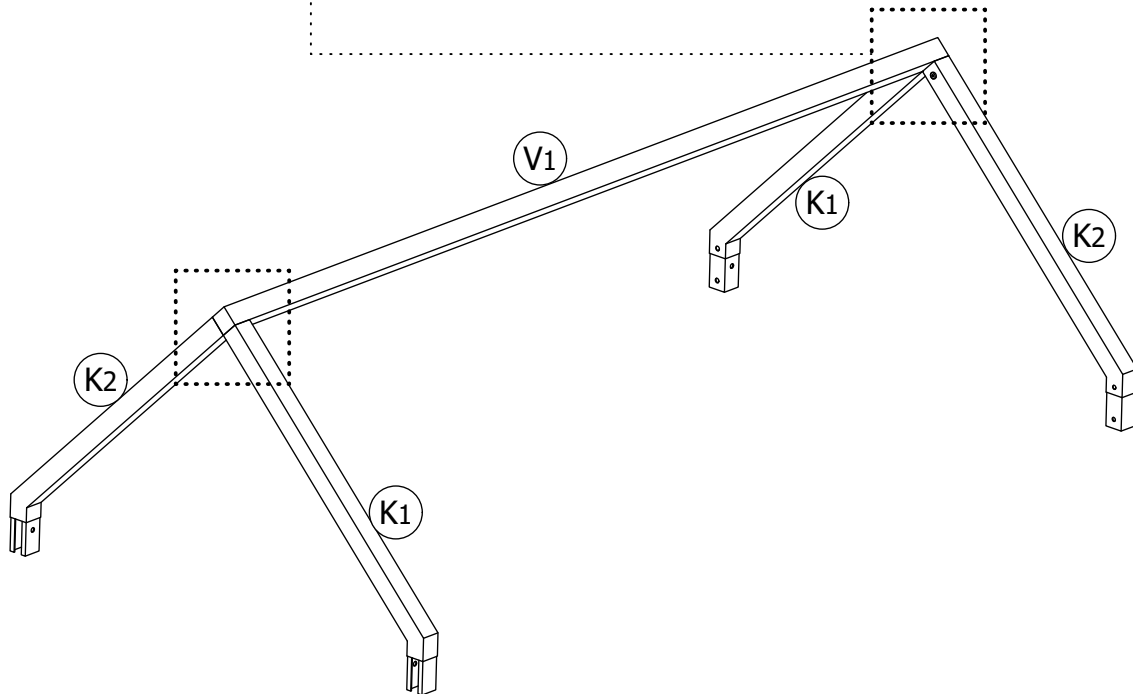
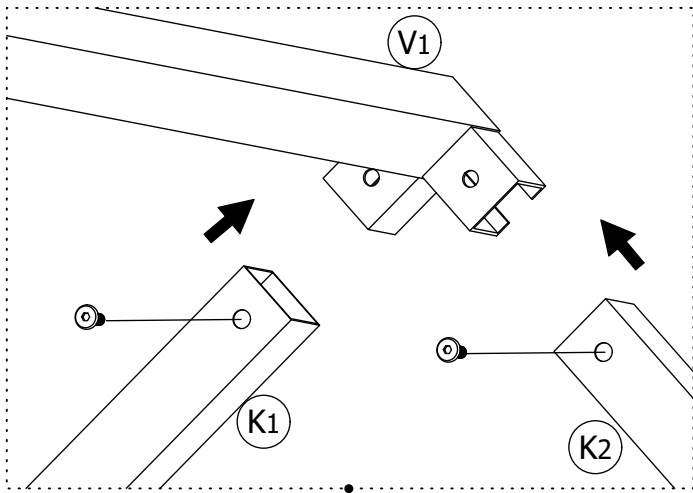
<b>1</b> 	<b>2</b> 	<b>3</b> 	<b>4</b> 
1/4" X 7/8" X 8	1/4" X 11/16" X 24	1/4" Spring Washer X 8	4mm X 1

**!** Please do not completely tighten all the hardware, until the entire assembly is complete, unless otherwise indicated in the step-by-step instructions.

**!** The screw(s), bolt(s) to be used at each step are shown in actual size in the lower right corner of the page.

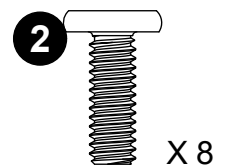
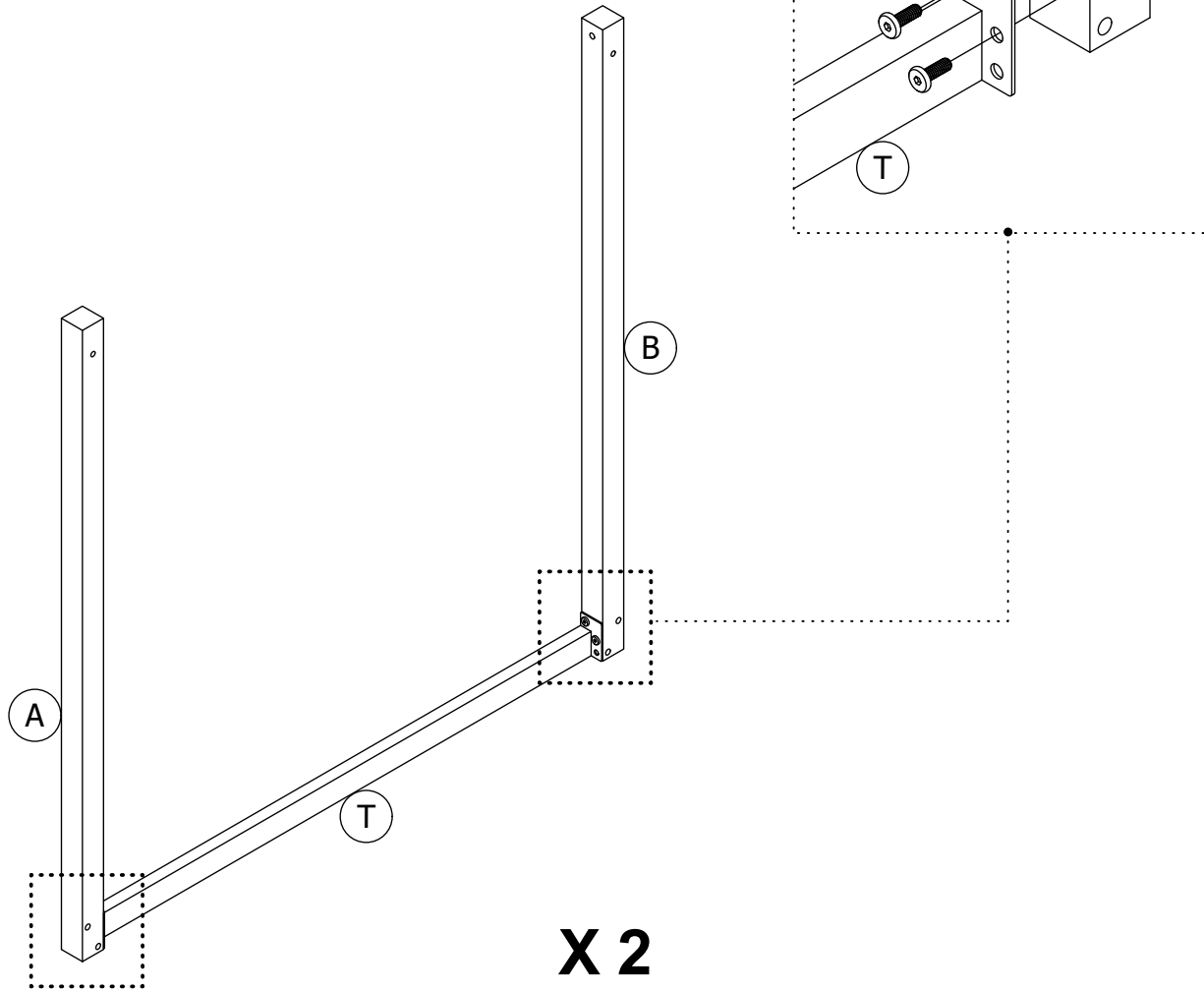
# Step 1

Attach **K1** x 2 and **K2** x 2 to **V1** with **2**.



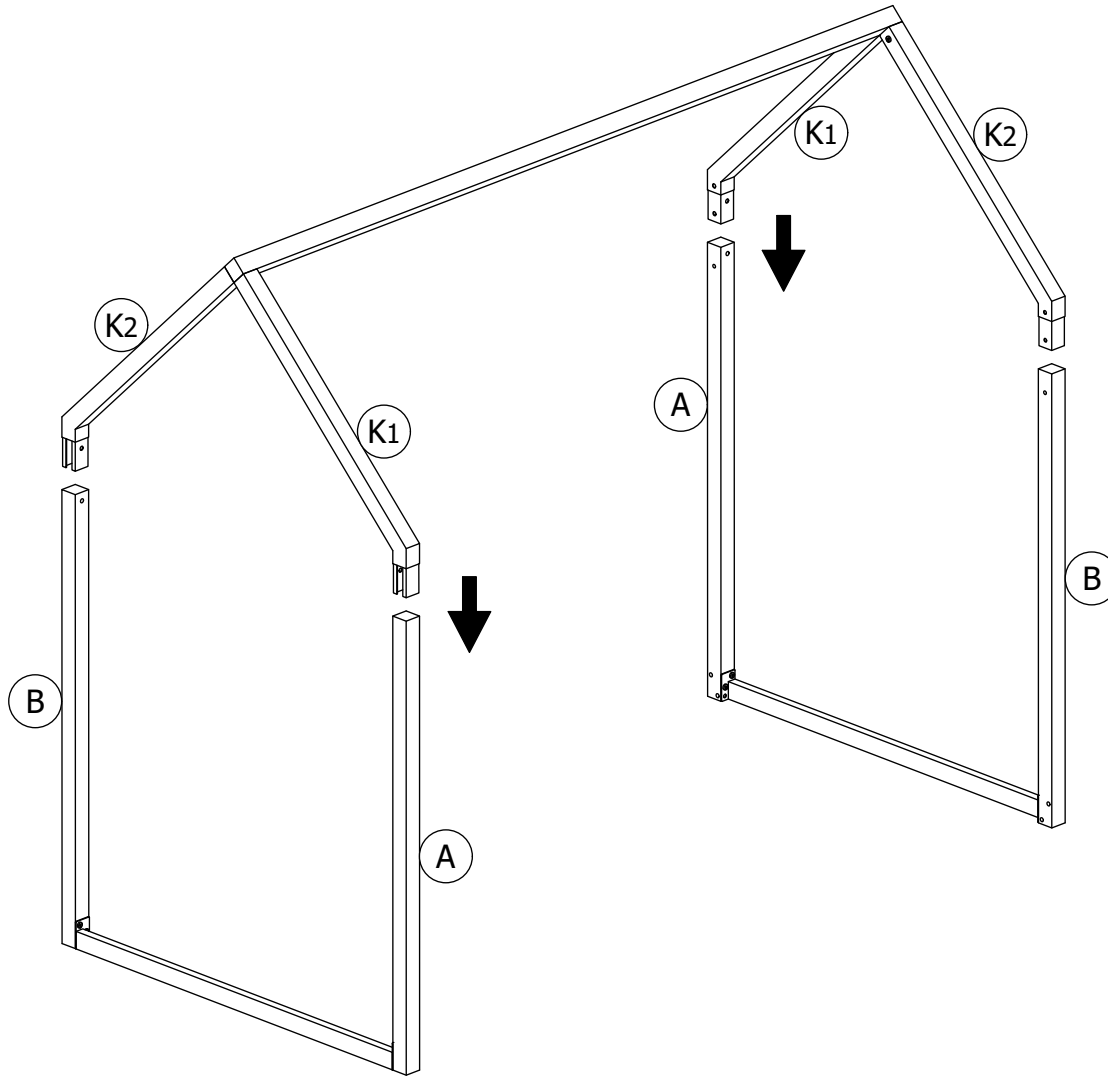
# Step 2

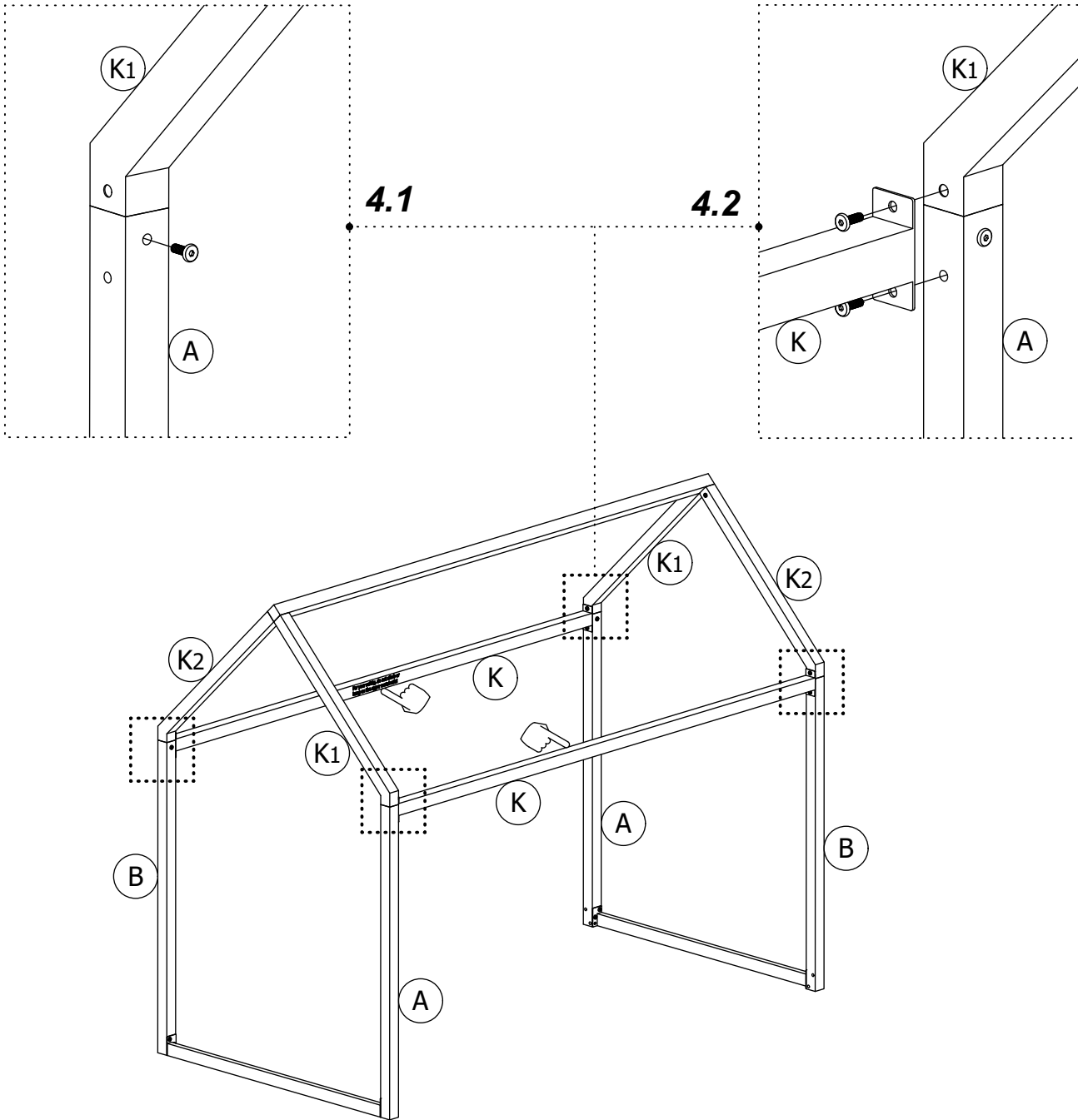
Attach **T** to **A** and **B** with **2**.  
Repeat the same procedure for another set  
of **A**, **B** and **T**.



# Step 3

**⚠** This step will require two people.  
Place the subassembly obtained from **STEP 2** on top of **A** and **B** and insert **K1** into **A** and **K2** into **B**.

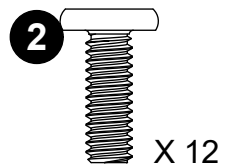




# Step 4

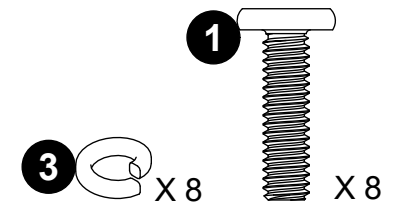
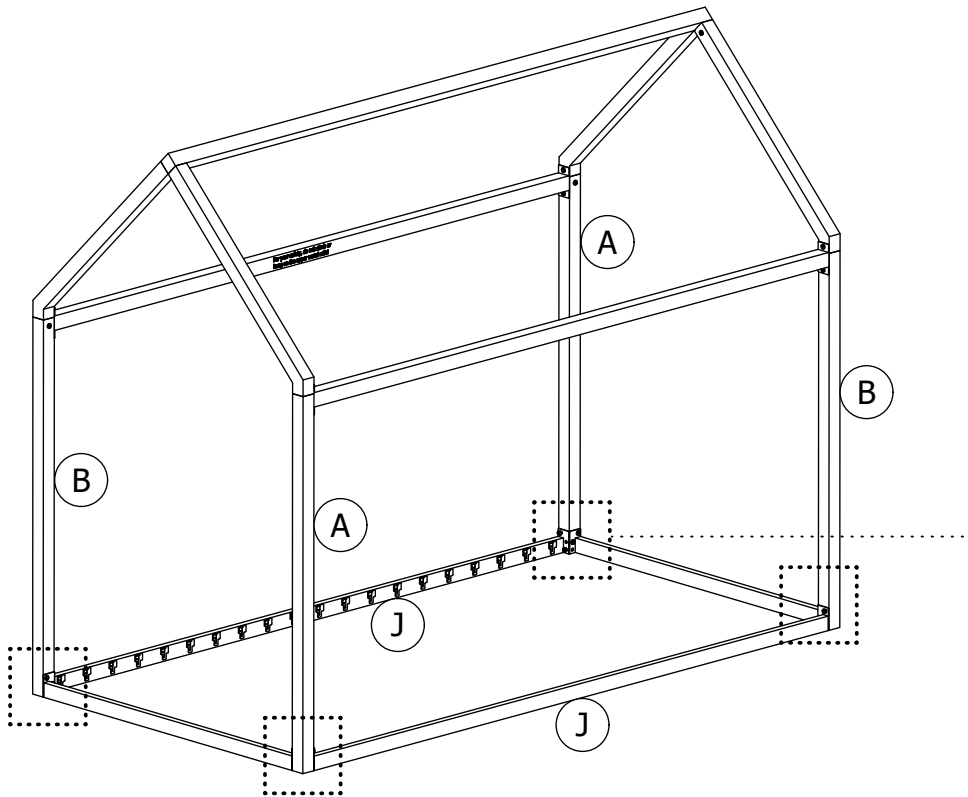
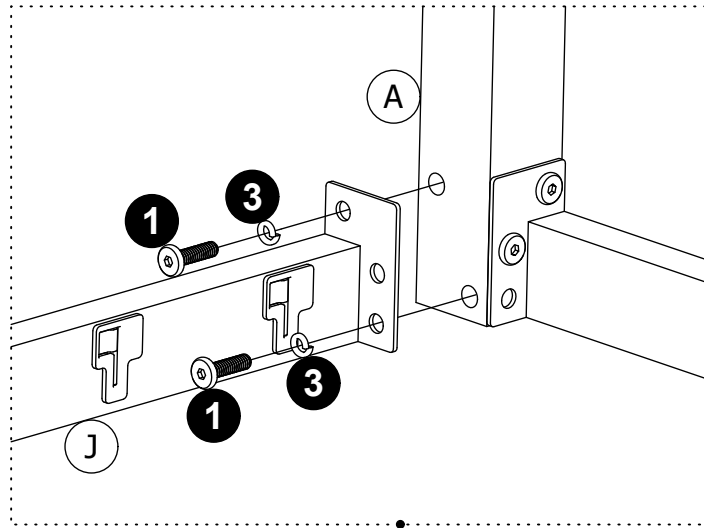
4.1 Secure K1 to A and K2 to B with ②.

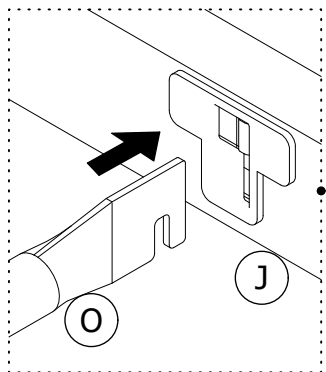
4.2 Attach K x 2 to A, K1 and B, K2 with ②.



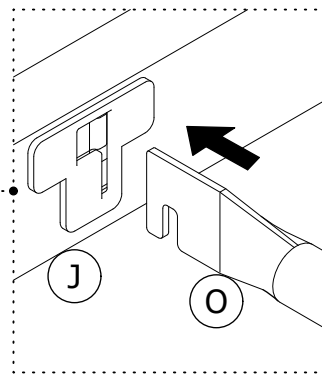
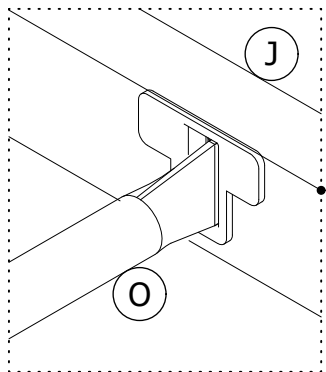
# Step 5

Attach **J** x 2 to **A** x 2 and **B** x 2 with **1**, **3**.

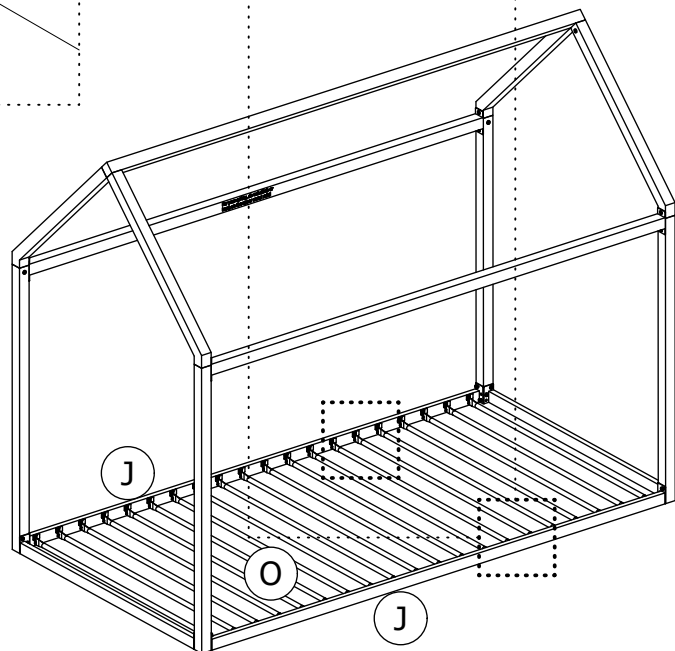
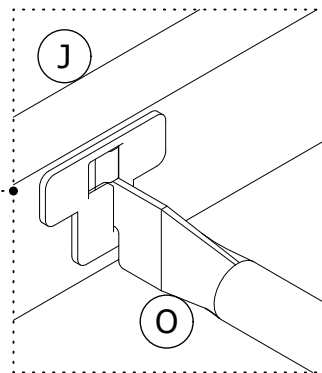
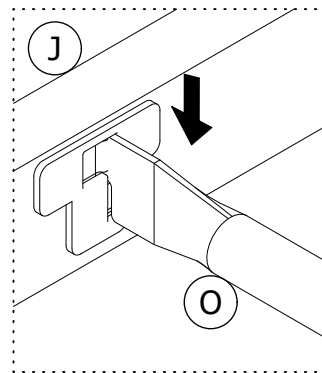




6.1



6.2

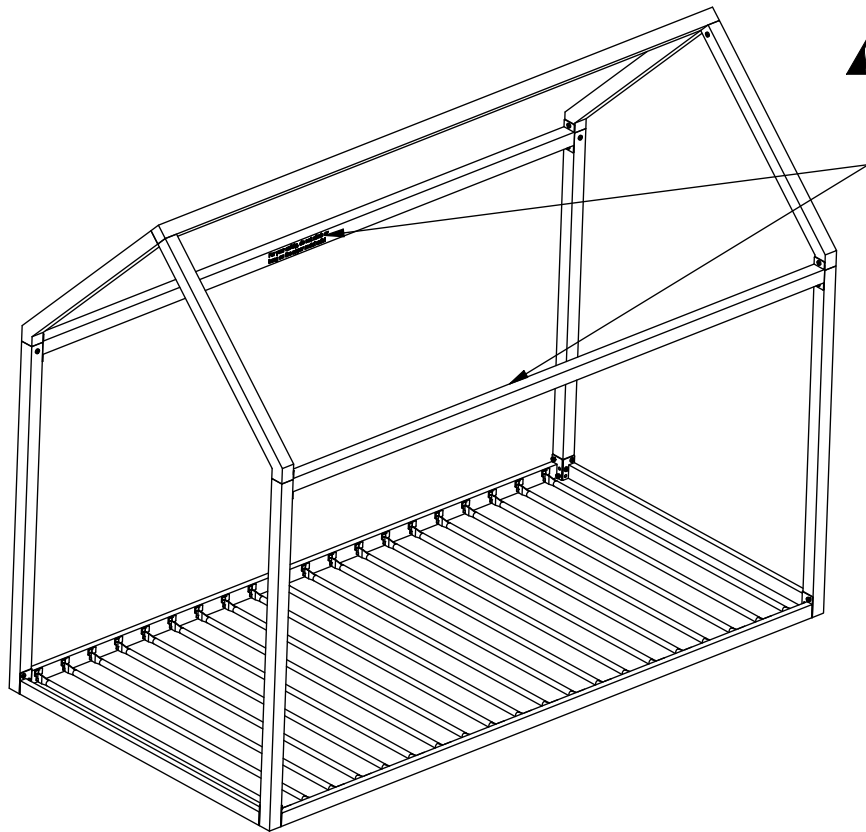


## Step 6

- 6.1 Insert one end of **O** into the plastic housing on **J** until its ultimate end;
- 6.2 Insert the other end of **O** into the plastic housing on the opposite **J**, slide **O** down until notches on **O** fully engaged with plastic housing.

Follow the same procedure for remaining **O**.

**⚠ CAUTION:** This unit is intended for use only with the products and/or maximum weights indicated. Use with other products and/or products heavier than the maximum weights indicated may result in instability or cause possible injury.



**⚠ WARNING:** For your safety, do not climb or hang on the upper metal rails!

**⚠ Weight Limit:**  
Bed: 400 LBS / 181 KG  
Upper Rail: 15 LBS / 7 KG

That's it ! You've finished assembling your **Metal House Bed!**

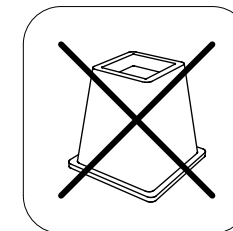
## Helpful Hints

- Move your new furniture carefully, with two people lifting and carrying the unit to its new location.
- Your furniture can be disassembled and reassembled to move.
- Some parts have been pre-assembled for this item. They are illustrated on this page and available for replacement.
- Clean the product with a soft damp cloth. **DO NOT** use harsh chemicals or abrasive cleaners.
- Check bolts and nuts periodically and tighten if necessary.

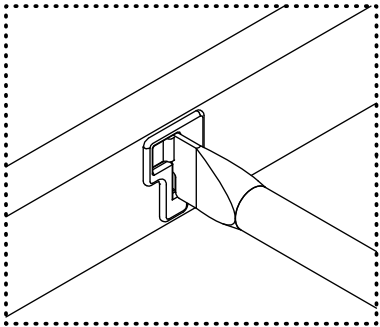
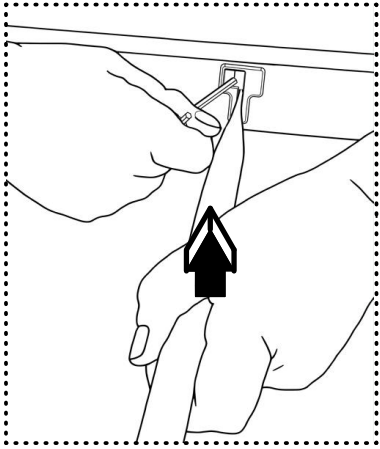
### **⚠ WARNINGS:**

For safety reasons and to prevent injuries:

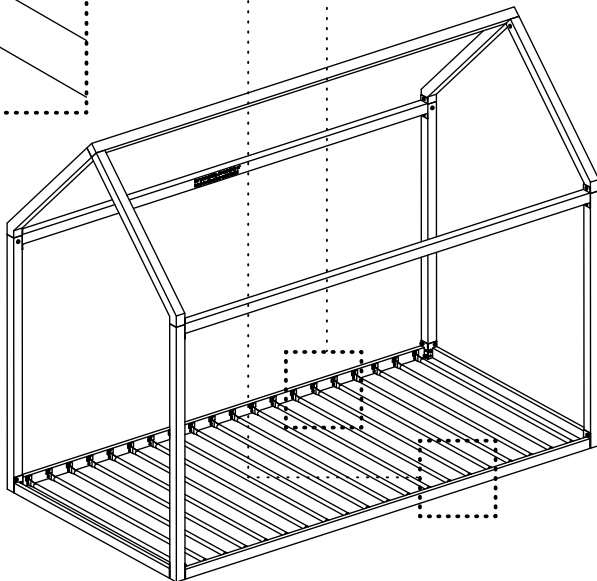
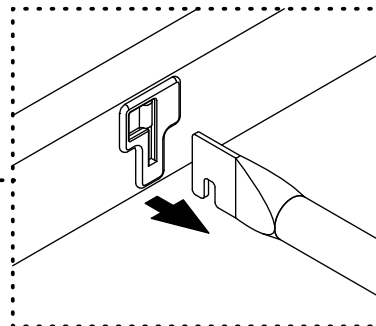
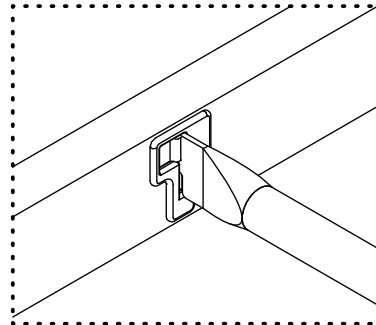
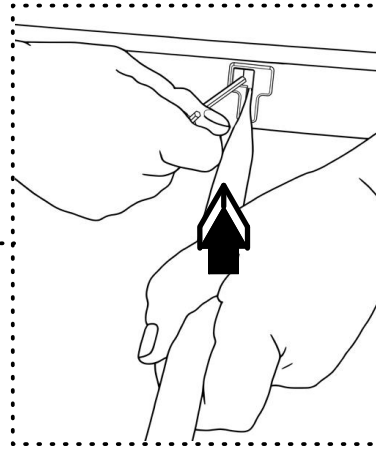
- This bed is not intended for use by children under **4** years old.
- Prohibit jumping and horseplay on this bed.
- Only use a mattress which is **74" - 75"** long and **37½" - 38½"** wide on bed.
- Do not use risers under this bed.



1



2



### How to Dismantle Bed Slats.

1. Push down the Clip of Slat Plastic Housing using Allen Key, simultaneously lift up the Slat at most.
2. Proceed the same procedure for another end of Slat Plastic Housing and Slat, then pull out the Slat gently.

