

**READ ALL INSTRUCTIONS BEFORE BEGINNING
INSTALLATION**

WARNING:

**THIS ITEM IS NOT A TOY
KEEP OUT OF REACH OF
CHILDREN**

**WARNING: SMALL PARTS
CHOKING HAZARD**

NOT FOR HUMAN CONSUMPTION

WARNING: PLASTIC BAG CHOKING HAZARD

WARNING: SCREWS CONTAIN SHARP POINTS

USE EYE PROTECTION AT ALL TIMES

Keep ALL packaging and rail components out of reach of children.

This item is not a toy. Some components include sharp points.

Misuse of this item can result in injury or death.

Failure to follow these instructions completely could lead to injury or death. Concept Fusion LLC is not liable for any injuries or deaths sustained during installation or use of this product.

Handrail Installation Instructions for Concept Fusion Handrail Systems

Tools needed:

- 1) Drill
- 2) Tape Measure
- 3) Pencil
- 4) Level

- 5) Safety Glasses
- 6) Gloves

Getting Started:

Be sure to follow proper safety while installing this handrail system. Eye protection should be worn at all times during installation. Additional safety measures may be necessary.

Unpack your handrail kit. Your kit should include the following items:

- 1) Handrail (if your kit is 7ft in length or greater, your handrail will come in multiple pieces)
- 2) Handrail Splices with shims (this only applies to kits 7ft and longer)
- 3) 2 or more Handrail Brackets with mounting hardware (on splice kits there will be 2 brackets per spliced length)
- 4) 3-½ inch #2 Phillips head driver bit
- 5) 3/16 inch drill bit
- 6) ⅛ inch hex key

Overview:

Your handrail is designed for easy installation following a 3 step process:

- 1) Assemble the Handrail (This only applies to spliced rails)
- 2) Attach the Brackets to the wall
- 3) Attach the Handrail to the Brackets

Step 1: Rail Assembly (for spliced rails only): WEAR GLOVES during splice installation.

(1.) Assemble the handrail by sliding the W splice pieces one at a time into either of the rail sections. Start by installing the W splice piece which has the set screws in it and slide it into the rail section until the two set screws are centered in the two holes in the rail section (see figure 1). Then slide the second W splice piece in until it is flush with the first W splice piece (see figure 1).

Make sure that the W profile of the splice pieces are inverted compared to one another as shown in Figure 1.

It is much easier to slide the splice pieces into the rail sections one at a time. Slide the bottom section in by itself, followed by the top section. Note, the splices are designed to

fit tight inside the rail to add strength to the splice point: some pressure or adjustment may be needed to install them. If the splice does not slide into the rail, the set screws may need to be loosened.



Figure 1 (Splice Installation)

(2.) Tighten the two set screws in the rail with the $\frac{1}{8}$ inch hex key provided in the kit. Only loosely tighten the screws enough to hold the splice and shim in place.

(Instructions continued on next page>)

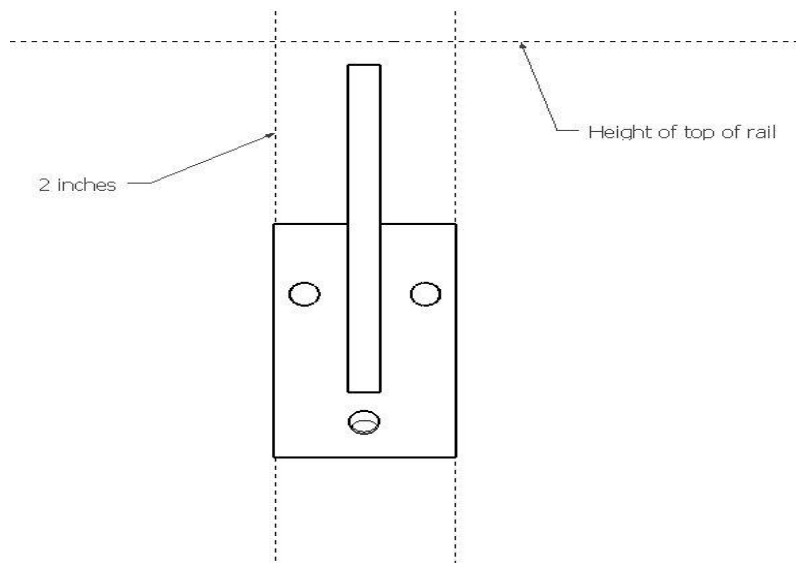
Some force may be needed to start turning the setscrew.

Slide the second rail section over the splice and tighten all setscrews until the rails do not slide apart. ***Do not continue to tighten the setscrews after this point as that could deform the top of the rail. Note, During tightening of the set screws, apply pressure from the ends of the rail to push the rail together to insure there is not a gap between the two rail sections after tightening.*** Finally, push the plastic plugs into the holes over the setscrews.

Step 2:

Your handrail must be installed into wall studs to ensure the safe use of the product. Start by locating the studs. Measure up from the floor to the desired height of the handrail. Then measure down 2 inches (this will be the height of the top of the bracket). Make sure the bracket is centered on the stud (see fig 2). Mark for the screw holes with a pencil using the bracket. **Then pre drill the holes with the provided 3/16 inch bit (the provided screws are not self drilling and can strip out without a pilot hole).** Finally screw the brackets to the wall using the 2.5 inch woodscrews and provided driver bit. (If your rail has more than 2 brackets, install the outer brackets first, then the rail, and finally install the center brackets). **For spliced lengths you must install two brackets per rail section.**

Figure 2 Bracket Installation



Step 3 Attach the Handrail:

Place the handrail on the brackets. Slide the adaptor plate through the bracket slot. Screw the adaptor plate to the rail using the self drilling screws (see fig 3). **Do not use the provided drill bit for pre drilling into the rail as the short screws for mounting into the rail are self drilling.** The self drilling screws will drill themselves into the rail, pilot drilling is not required. If installing on a stairway, be sure to run the drill through the bracket slot so the screws go straight into the rail (see fig 4).

Figure 3 Rail Installation:

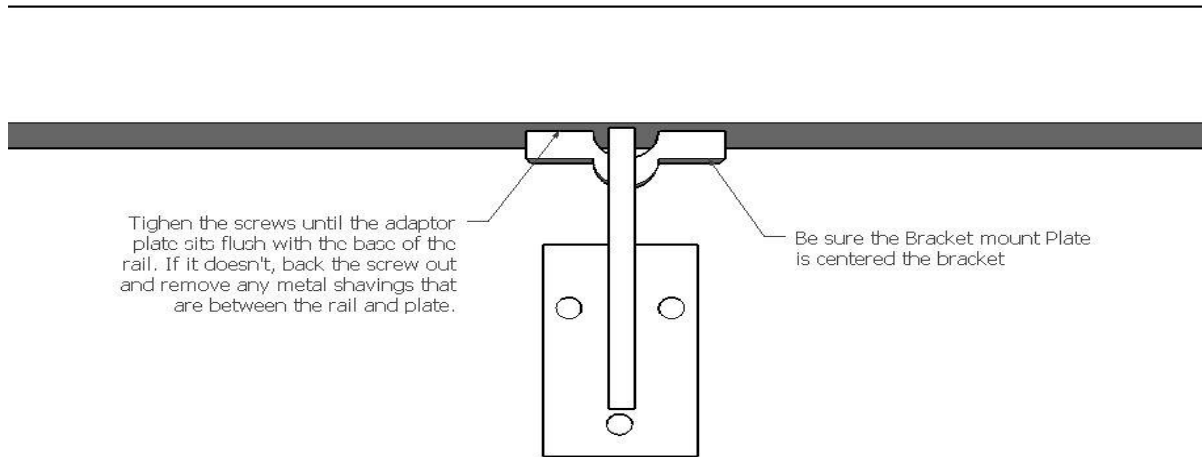
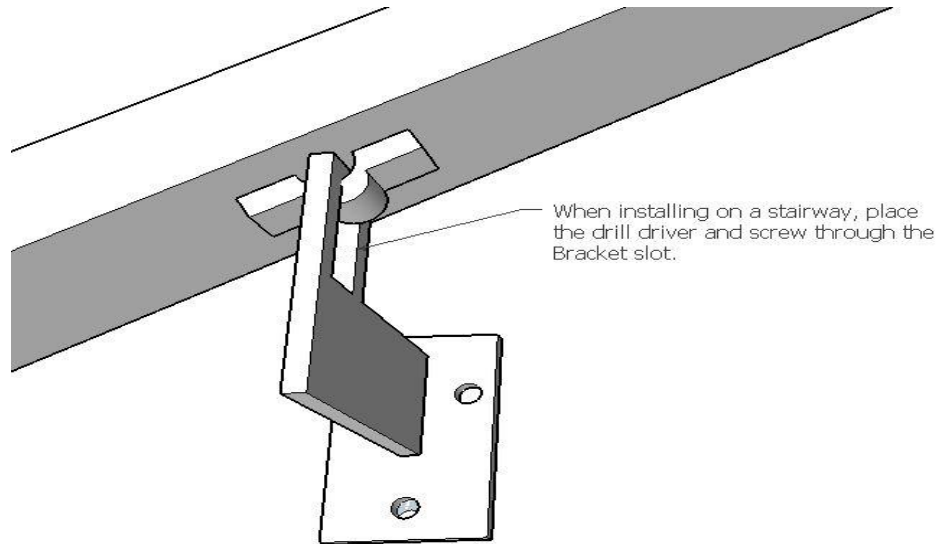


Figure 4 Rail Installation on an Angle:



That's it! You're done. Thank you for using Concept Fusion handrail systems.

Please Note,

Failure to follow these instructions completely could lead to injury or death. Concept Fusion LLC is not liable for any injuries or deaths sustained during installation or use of this product. Any modifications to this product will void all guarantees and can result in injury or death. It is your responsibility to comply with all local zoning requirements,

failure to do so can result in injury or death. It is your responsibility to follow all workplace safety guidelines during installation of this product, failure to do so may lead to injury or death.

You must wear proper safety gear including but not limited to gloves and eye and ear protections during installation. This product contains sharp edges and points that can cause injury or death.

If your kit is missing parts please message us through your purchasing site. We will work to quickly correct any issues with your order.

If you have any questions about these installations, feel free to message us through your purchasing site. We will provide any additional information we can.