

ASSEMBLY INSTRUCTIONS



Fine Furniture for every stage of life

3Pc Dining Set

ASSEMBLY INSTRUCTIONS

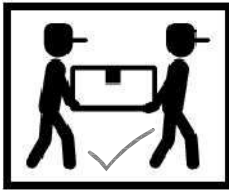
ASSEMBLY TIPS :

1. Remove hardware from box and sort by size.
2. Please check to see that all hardware and parts are present prior to start of assembly.
3. Please follow attached instructions in the same sequence as numbered to assure fast & easy assembly.



WARNING !

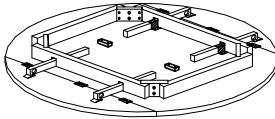

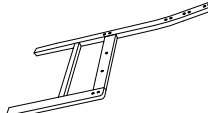
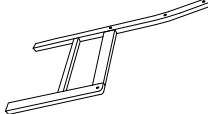




1. Don't attempt to repair or modify parts that are broken or defective. Please contact the store immediately.
2. This product is for home use only and not intended for commercial establishments.



ASSEMBLY TIME

60 MINUTES

PARTS IDENTIFICATION

A	TABLE TOP		1PC
B	TABLE LEG		4PCS
C1	CHAIR RIGHT LEG FRAME		2PCS
D1	CHAIR LEFT LEG FRAME		2PCS
E	FRONT AND BACK SEAT RAIL		4PCS
F	BACK TOP AND BOTTOM RAIL		4PCS
G	BACK MIDDLE RAIL		2PCS
H	SEAT CUSHION		2PCS

ASSEMBLY INSTRUCTIONS

ASSEMBLY TIPS :

1. Remove hardware from box and sort by size.
2. Please check to see that all hardware and parts are present prior to start of assembly.
3. Please follow attached instructions in the same sequence as numbered to assure fast & easy assembly.


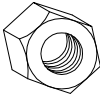




WARNING !






1. Don't attempt to repair or modify parts that are broken or defective. Please contact the store immediately.
2. This product is for home use only and not intended for commercial establishments.

HARDWARE IDENTIFICATION

TABLE

1	WRENCH (12.8 MM - RBW)		1PC
2	HEX NUT (5/16" - RBW)		8PCS
3	LOCK WASHER (5/16" - RBW)		8PCS
4	FLAT WASHER (5/16" - RBW)		8PCS

CHAIR

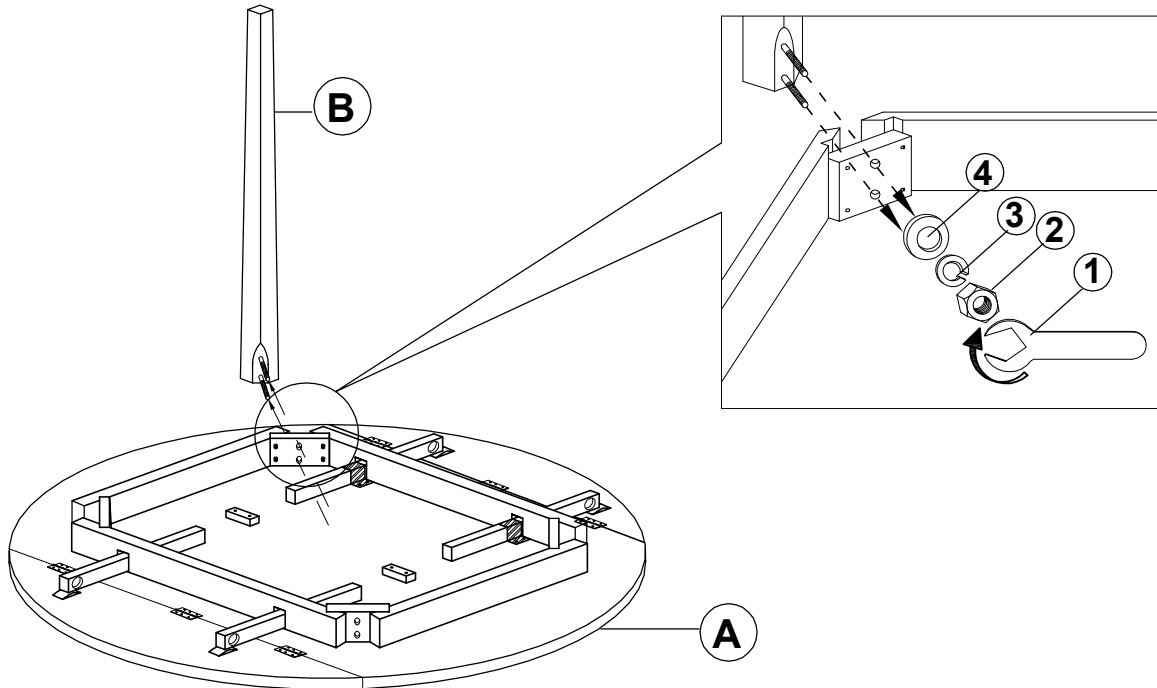
5	ALLEN WRENCH (M4 x 63MM - BLK)		1PC
6	BOLT (M6 x 50mm - BLK)		16PCS
7	BARREL NUT (M6 x 12mm - ZINK)		16PCS
8	PAN HEAD SCREW (#8 x 1 1/4" - BLK)		8PCS
9	WOOD DOWEL (M10 x 25MM)		8PCS

NOTE :

Phillips head screw driver is required in the assembly process. However, manufacturer does not provide this item.

ASSEMBLY INSTRUCTIONS

STEP 1

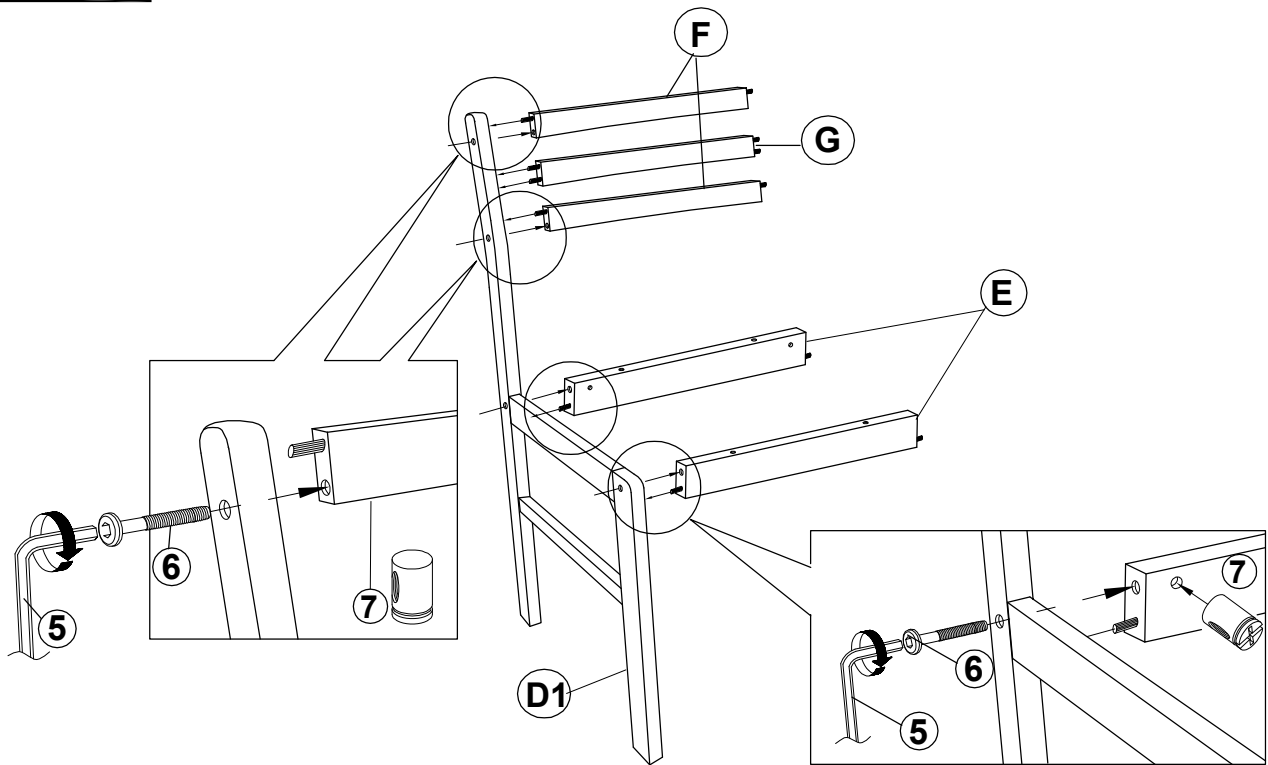


STEP 2

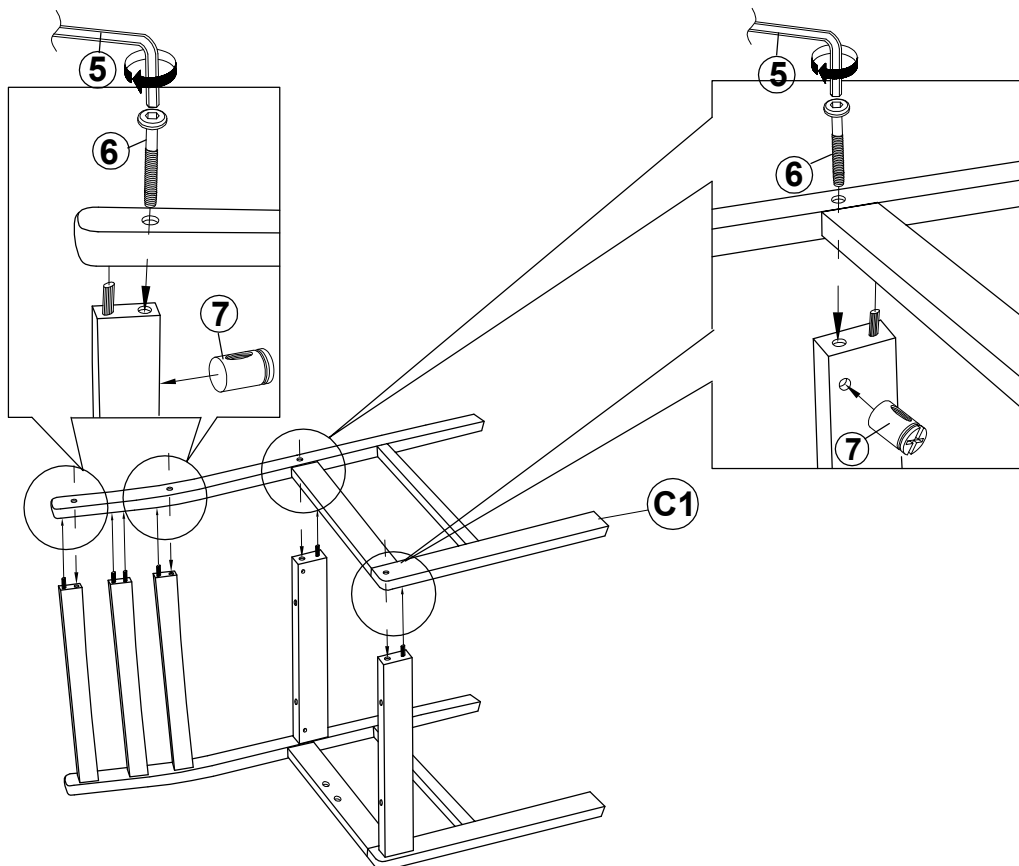


ASSEMBLY INSTRUCTIONS

STEP 3

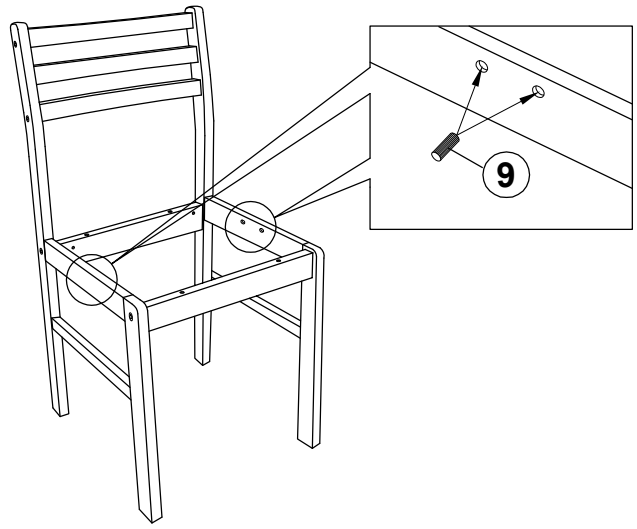


STEP 4

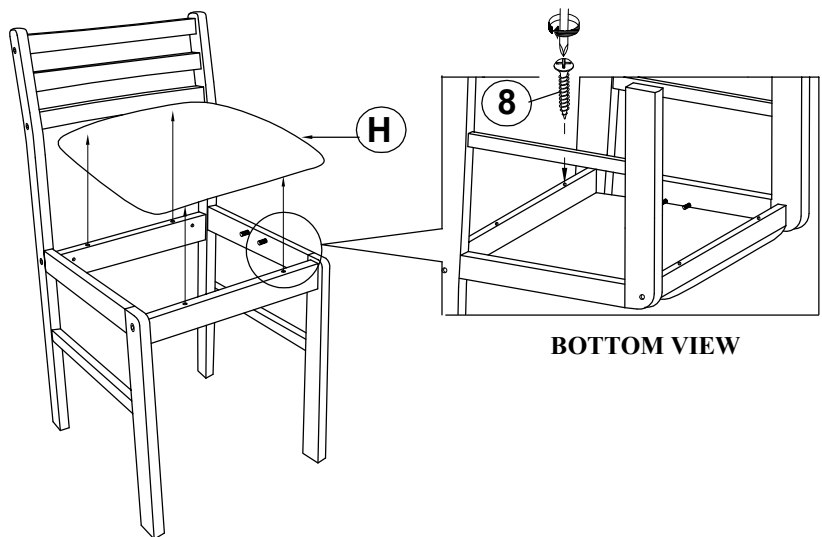


ASSEMBLY INSTRUCTIONS

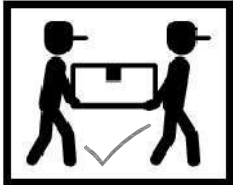
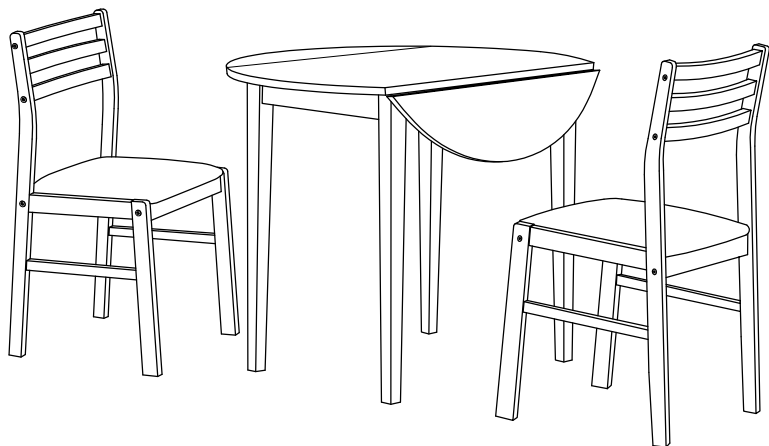
STEP 5

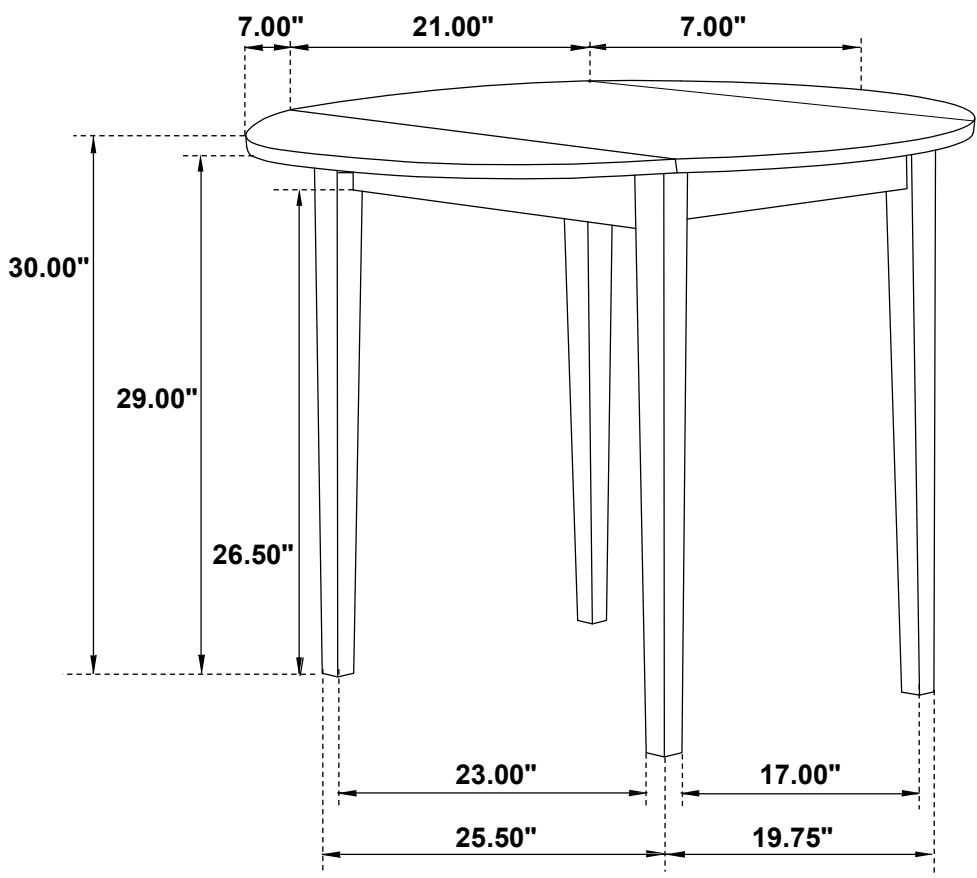


STEP 6

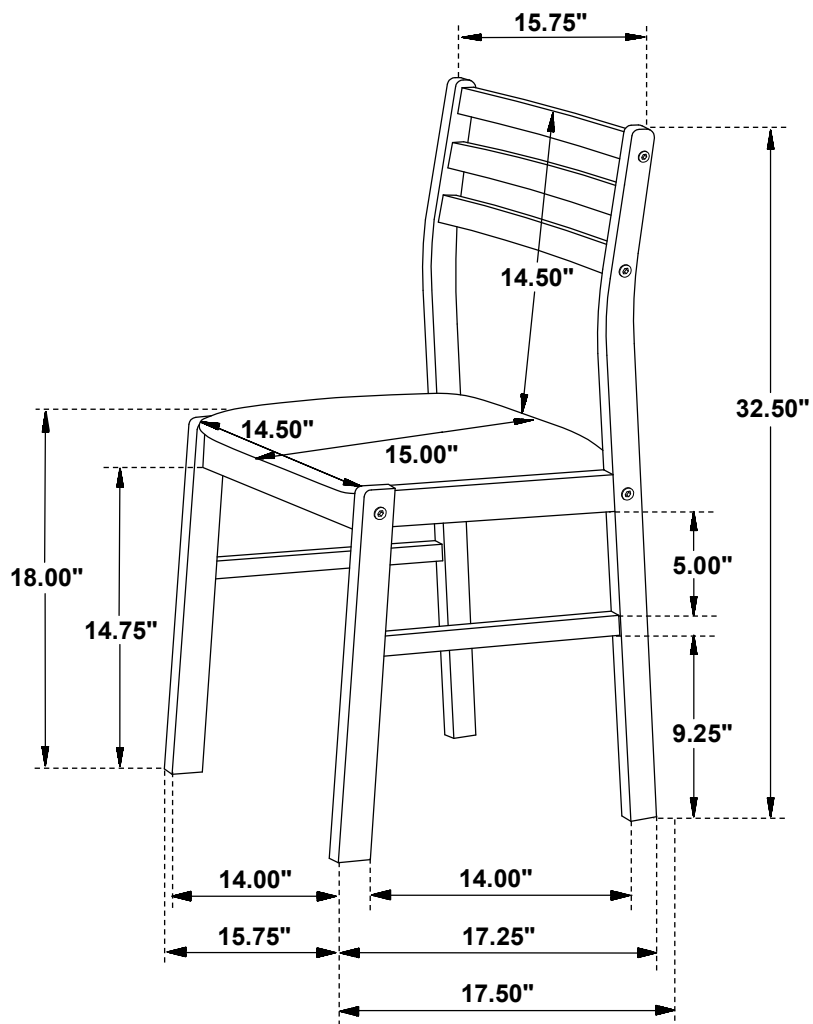


STEP 7 **COMPLETE**





Note: Dimension tolerance $\pm 5\%$



Note: Dimension tolerance $\pm 5\%$