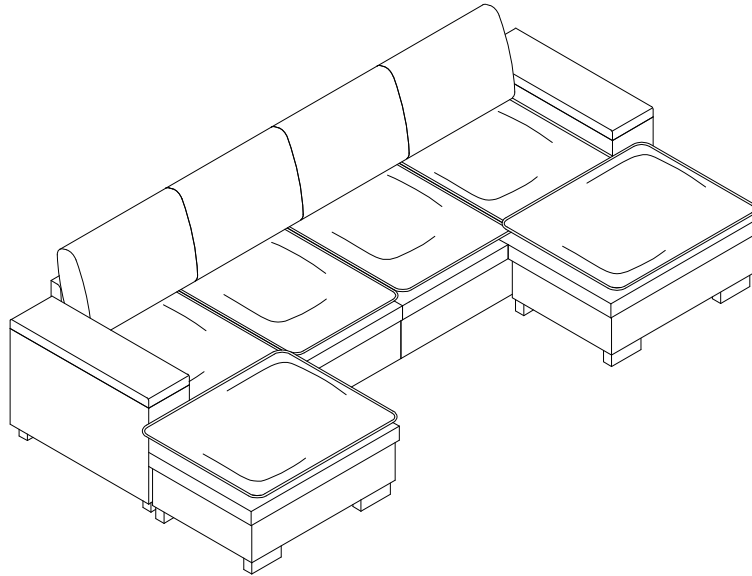
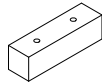



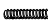






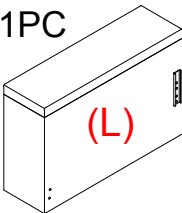
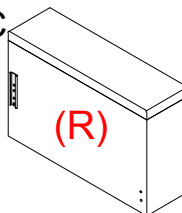
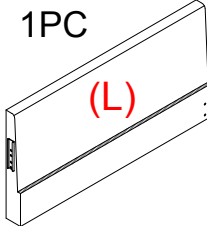
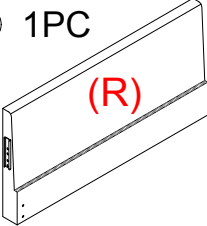
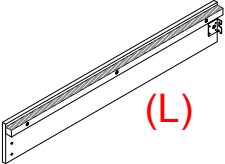
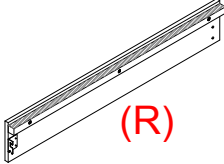
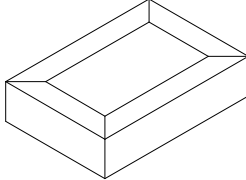
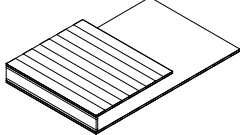
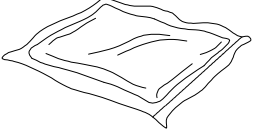
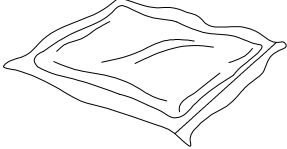
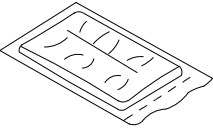
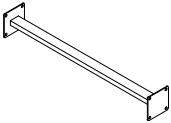
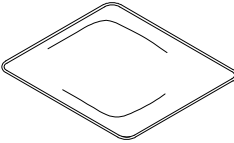
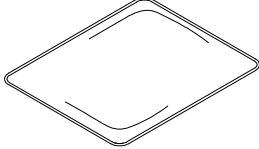


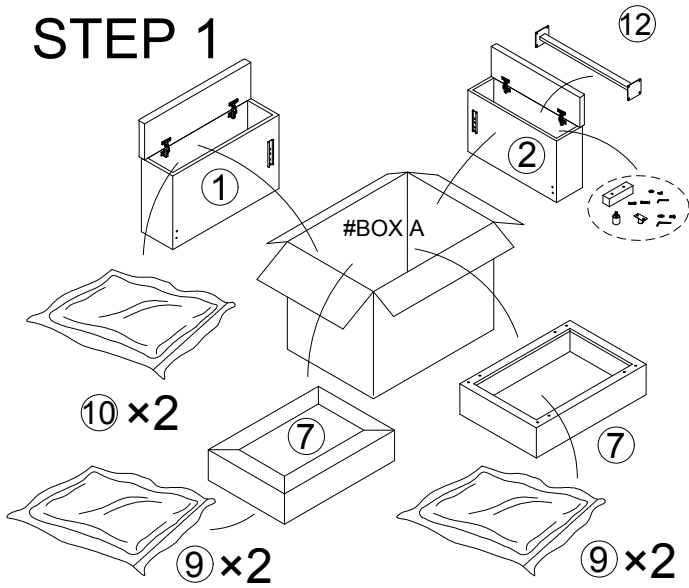
# ① ASSEMBLY INSTRUCTION



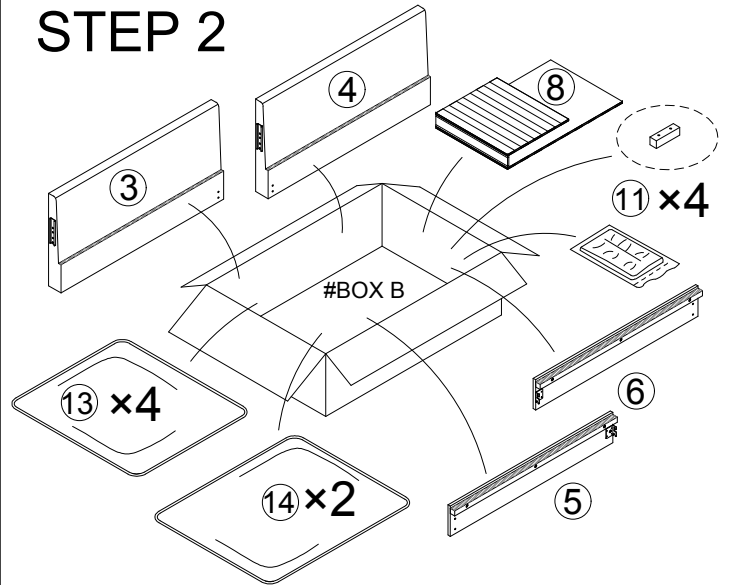
Components/QTY		Components/QTY		Components/QTY	
A 12PCS		B 36PCS	 5/16* 19MM	C 4PCS	 5/16* 20MM
D 8PCS	 5/16* 30MM	E 24PCS	 5/16* 50MM	F 1PC	 5/16* 60MM
G 2PCS		H 1PC		I 2PCS	 1/4* 16MM
J 2PCS	 1/4* 25MM	K 1PC	 1/4* 60MM		
① 1PC	 (L)	② 1PC	 (R)	③ 1PC	 (L)
				④ 1PC	 (R)
⑤ 1PC	 (L)	⑥ 1PCS	 (R)	⑦ 2PCS	
				⑧ 1PC	
				⑨ 4PCS	
⑩ 2PCS		⑪ 4PCS		⑫ 1PC	
				⑬ 4PCS	
				⑭ 2PCS	

# ② ASSEMBLY INSTRUCTION

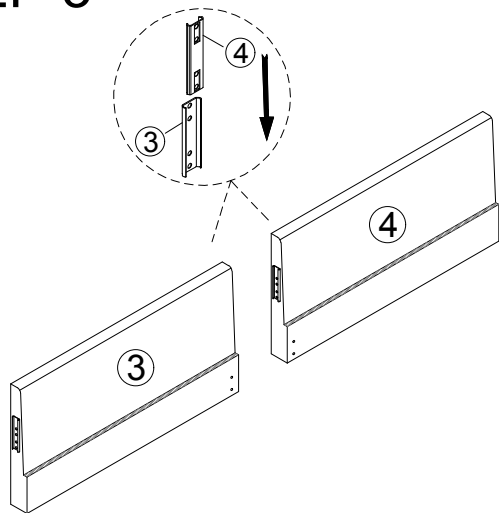
## STEP 1



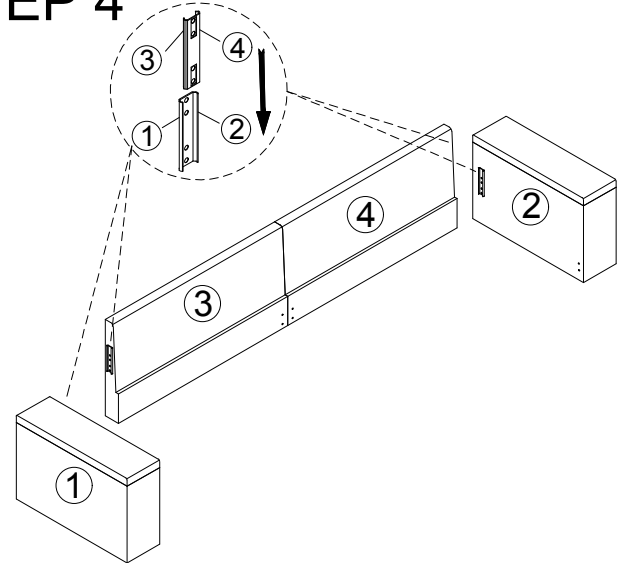
## STEP 2



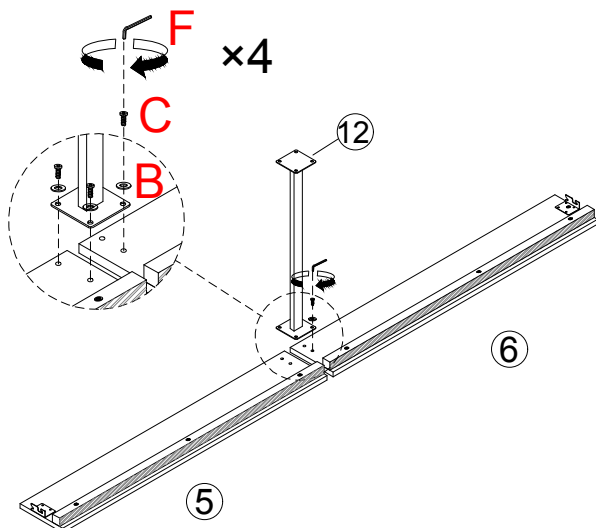
## STEP 3



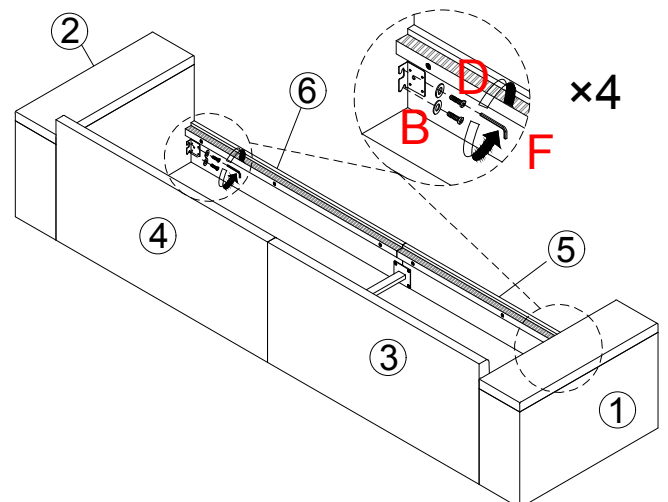
## STEP 4



## STEP 5

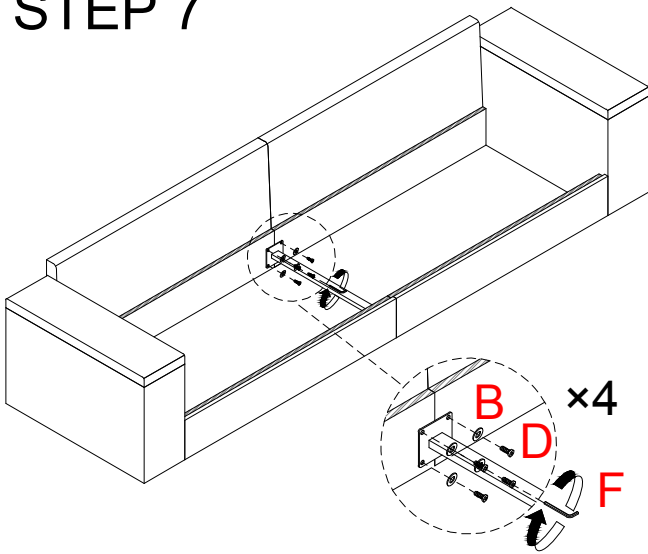


## STEP 6

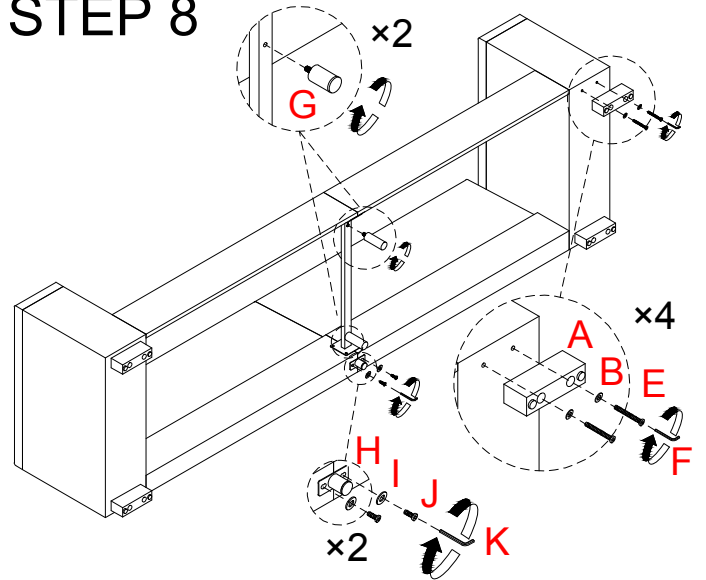


# ③ ASSEMBLY INSTRUCTION

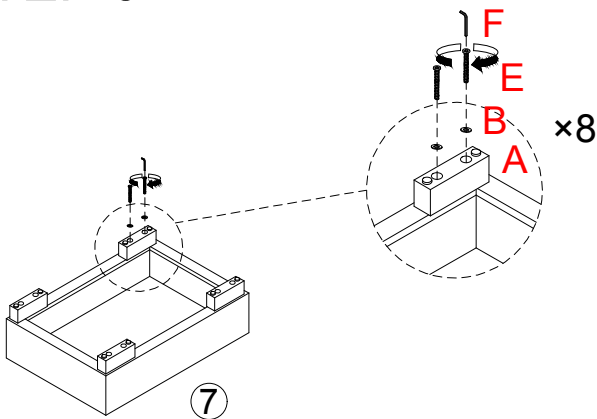
## STEP 7



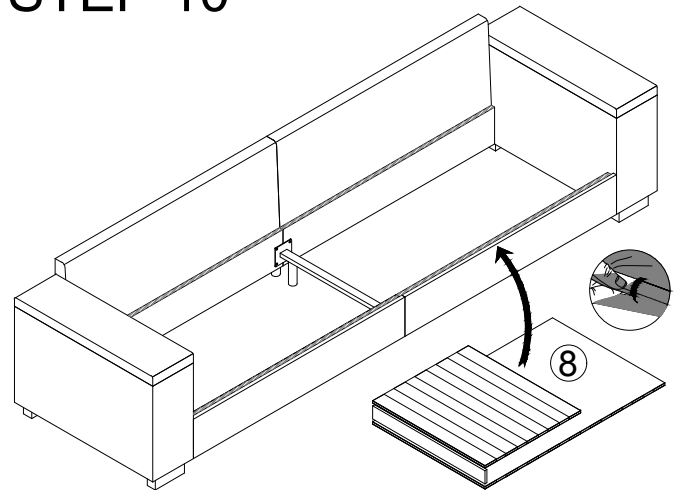
## STEP 8



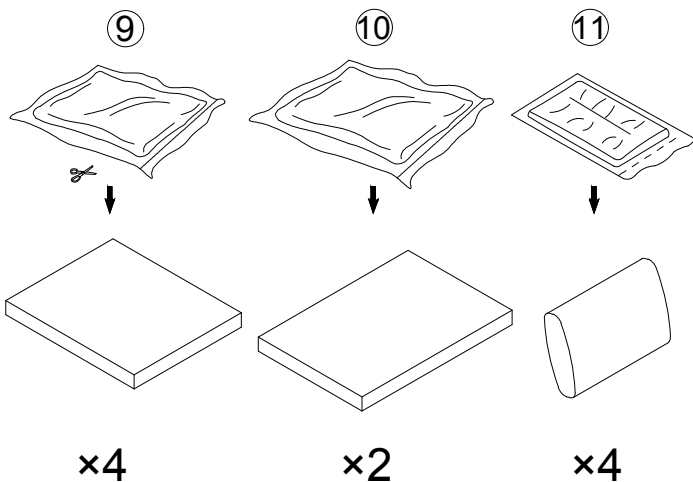
## STEP 9



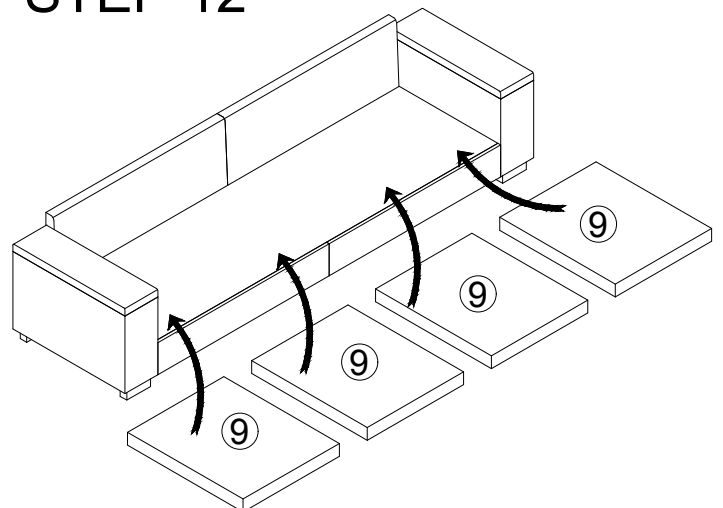
## STEP 10



## STEP 11

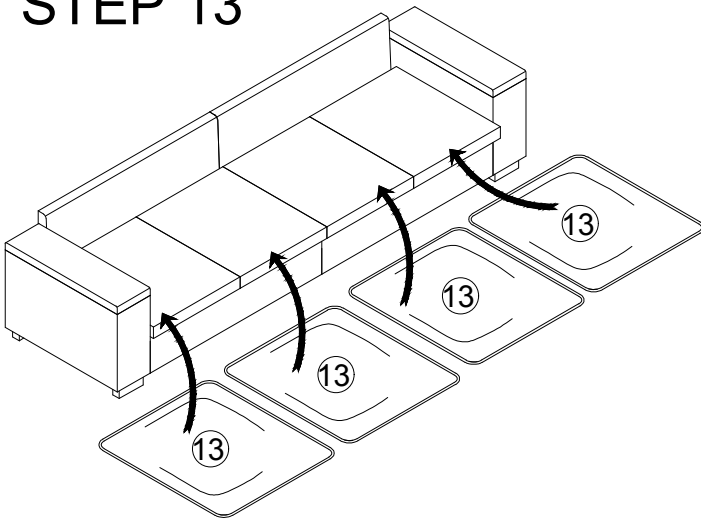


## STEP 12

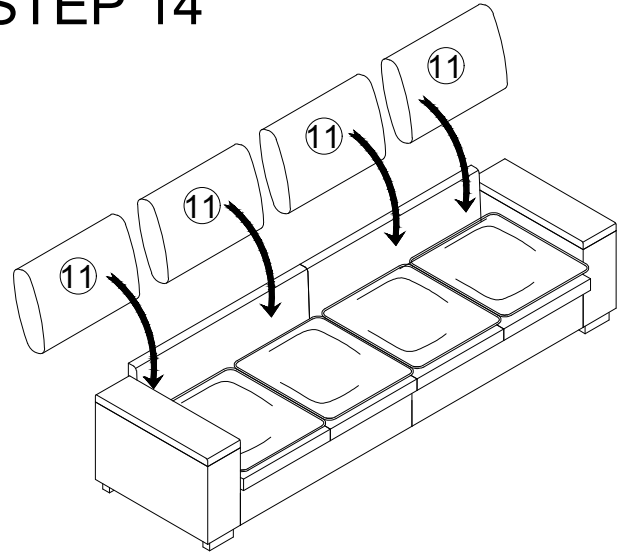


# ④ ASSEMBLY INSTRUCTION

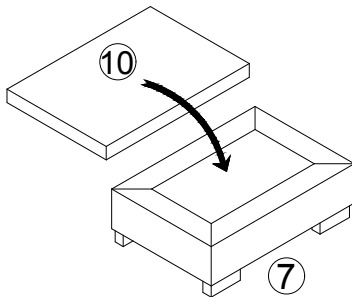
STEP 13



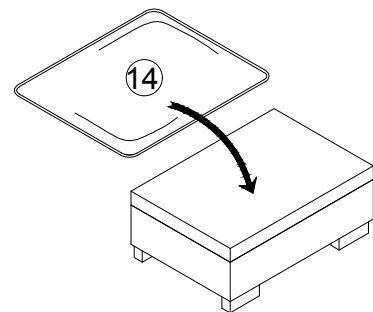
STEP 14



STEP 15



STEP 16



STEP 17

