

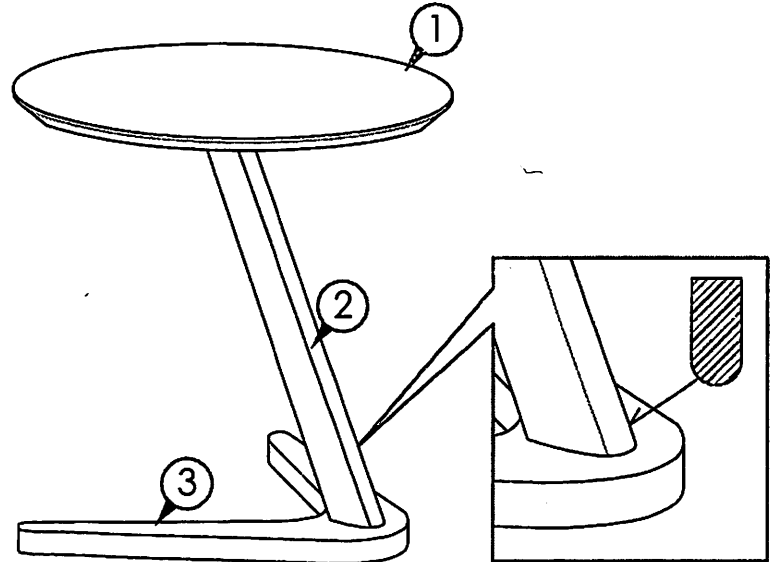
# ASSEMBLY INSTRUCTIONS

## IMPORTANT NOTE :

- \* PLACE ALL WOODEN PARTS ON A CLEAN AND SMOOTH SURFACE SUCH AS A RUG OR CARPET TO AVOID THE PARTS FROM BEING SCRATCHED.
- \* BEFORE YOU BEGIN, KINDLY FOLLOW THE ASSEMBLY INSTRUCTIONS STEP BY STEP.

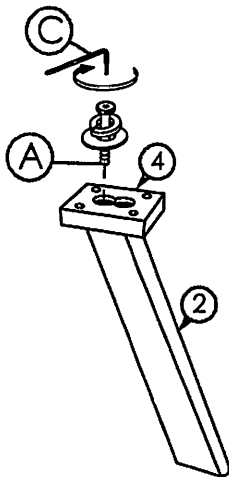
HARDWARE LIST		
A	JCBC M6 x 35mm + S/W M6 + F/W M6 x 19mm	6PCS
B	JCBC M6 x 50mm + S/W M6 + F/W M6 x 19mm	2PCS
C	ALLEN KEY M4	1PC

PART LIST		
1	TABLE TOP	1PC
2	TABLE LEG	1PC
3	BOTTOM LEG	1PC
4	LEG SUPPORT	1PC

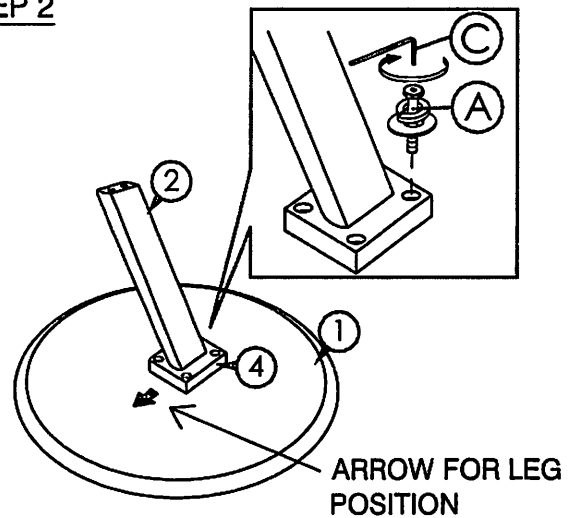


COMPLETED TABLE ASSEMBLY.

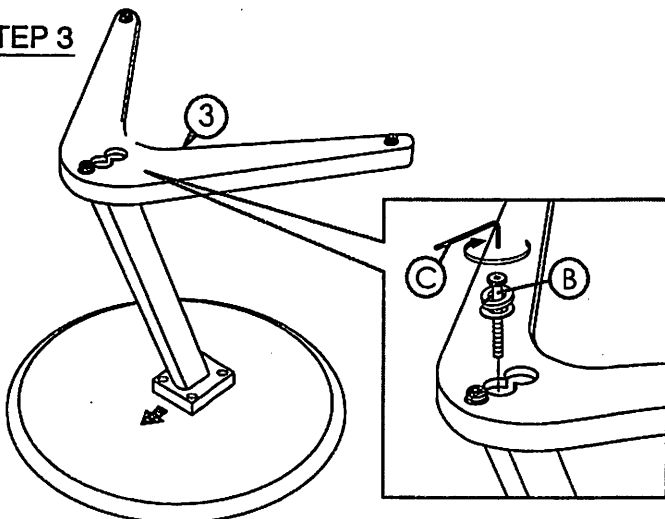
## STEP 1



## STEP 2



## STEP 3



## STEP 4

