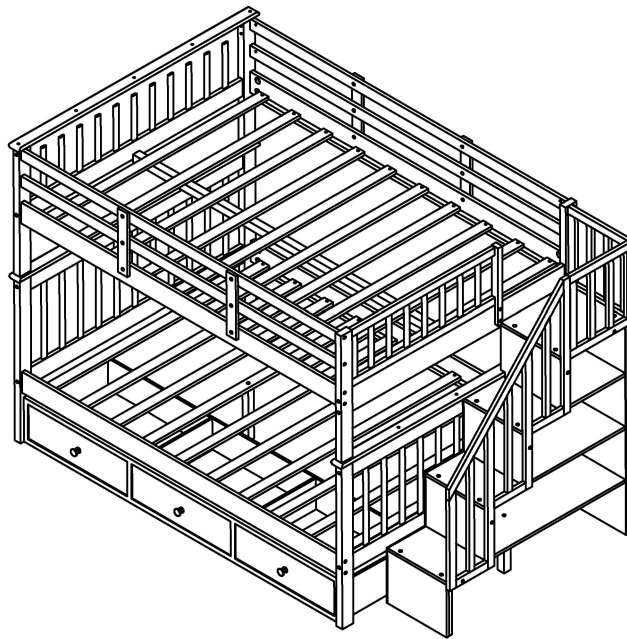


# ASSEMBLY INSTRUCTION

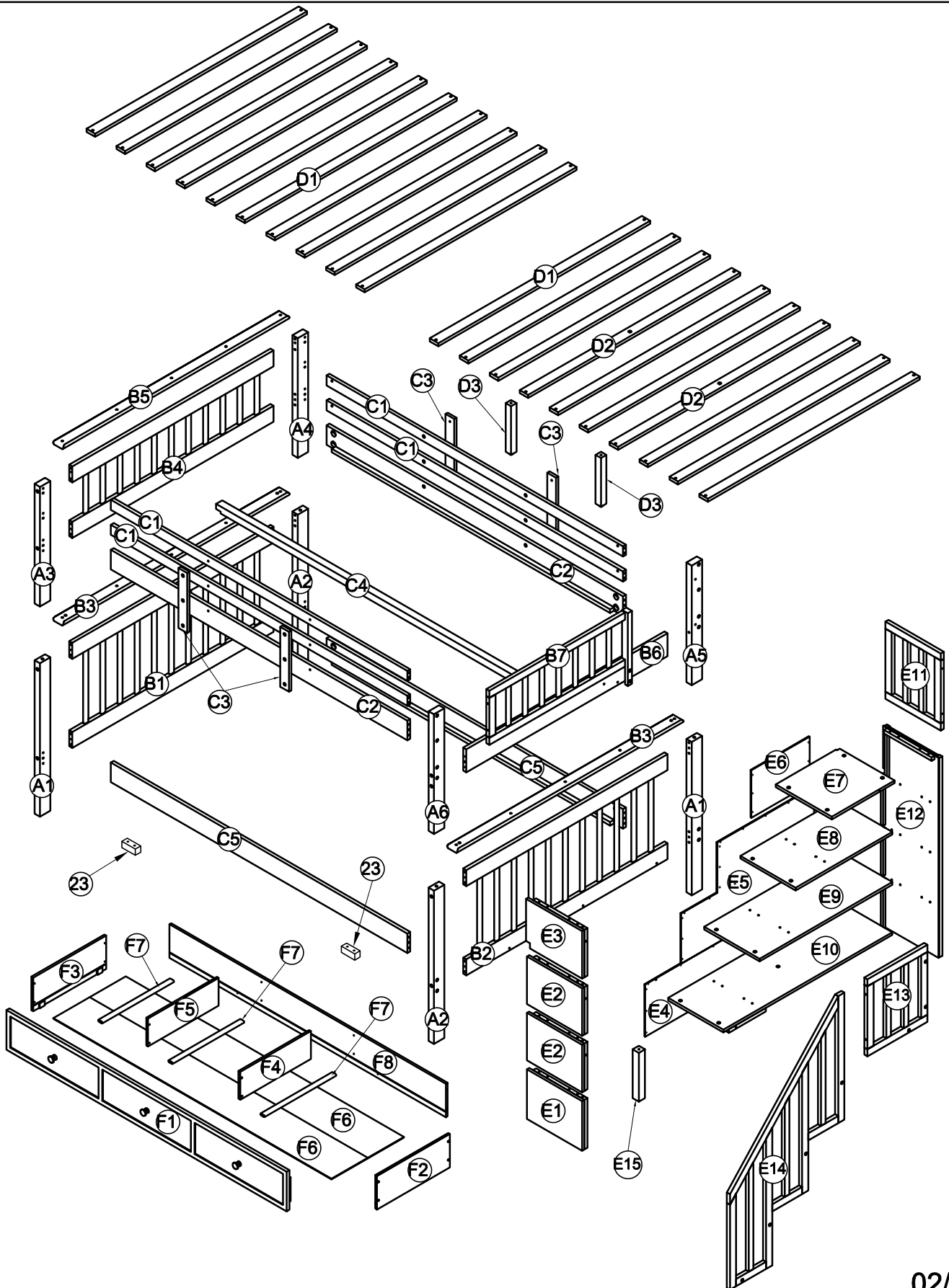


## **SAFETY WARNINGS**







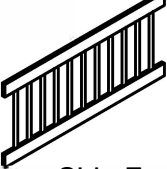
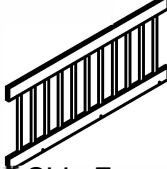
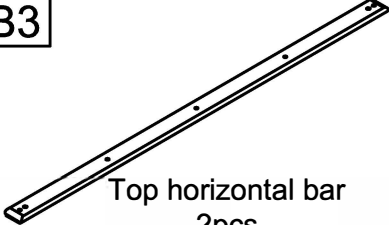
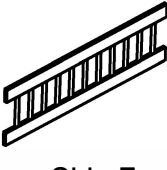
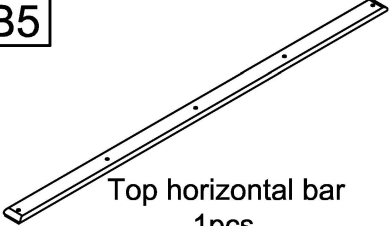
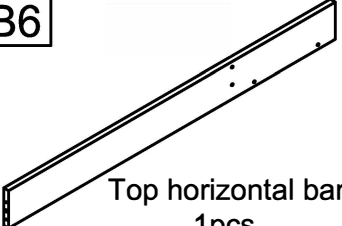
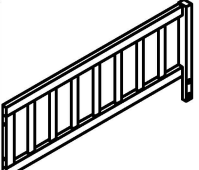
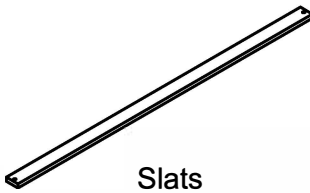
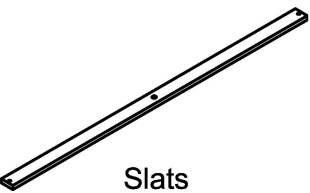

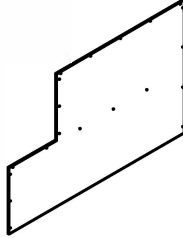

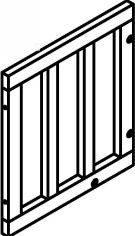



1. This bed is designed for use Twin mattress 74 to 75" Long and 38 1/2" Wide and total thickness is not exceeding 6" for Upper Bunk. Full mattress 74 to 75" Long and 52" to 53" Wide and total thickness is not exceeding 4" for lower bunk
2. The dimensions for length and width must be stated numerically and may additionally be stated in conventional terms, for example, twin size, twin extra long, and the like.
3. The maximum thickness of the mattress shall be stated
4. Replacement parts, including additional guardrails, may be obtained from any of our (COMPTREE. INC) dealers
5. Follow the information on the warnings appearing on the upper bunk bed end structure and on the carton. Do not remove warning label from bed.
6. Always use the recommended size mattresses or mattress supports, or both, to help prevent the likelihood of entrapment or falls.
7. Surface of the mattress must be at least 5 in. (127 mm) below the upper edge of guardrails.
8. Do not allow children under 6 years of age to use the upper bunk.
9. Periodically check and ensure that the guardrail, ladder, and other components are in their proper position, free from damage, and that all connectors are tight.
10. Do not allow horseplay on or under the bed and prohibit jumping on the bed
11. Always use the ladder for entering and leaving the upper bunk.
12. Do not use substitute parts. Contact the manufacturer or dealer for replacement parts.
13. Use of a night light may provided added safety precaution for a child using the upper bunk.
14. Always use guardrails on both long sides of the upper bunk. If the bunk bed will be placed next to the wall, the guardrail that runs the full length of the bed should be placed against the wall to prevent entrapment between the bed and wall.
15. The use of water or sleep flotation mattresses is prohibited.
16. **STRANGULATION HAZARD** – Never attach or hang items to any part of the bunk bed that are not designed for use with the bed; for example, but not limited to, hook, belts and jump ropes.
17. Keep these instructions for future reference

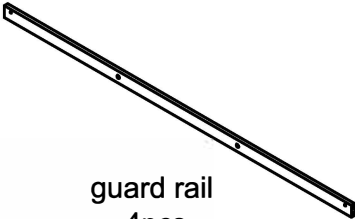
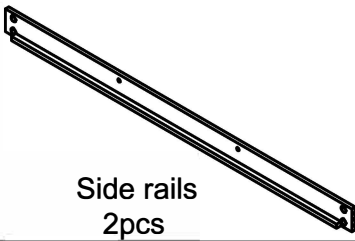
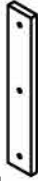
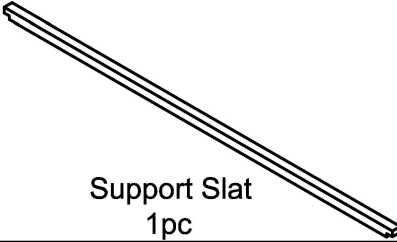
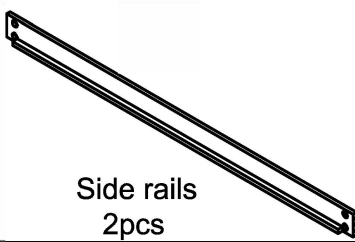
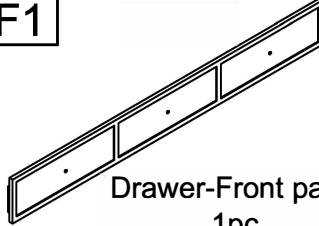
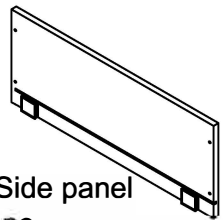
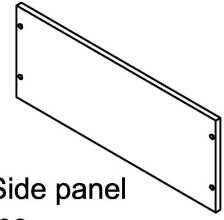
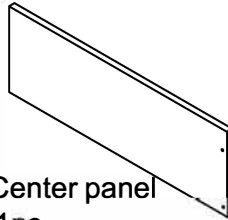
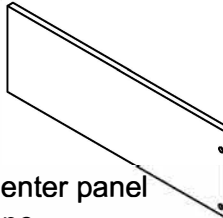
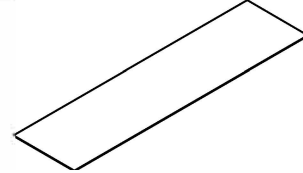
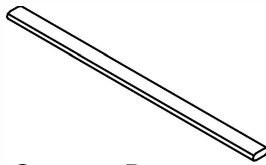
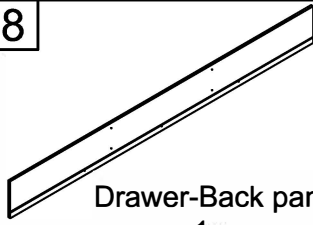
# ASSEMBLY INSTRUCTION



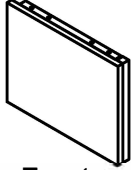
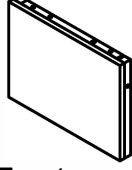
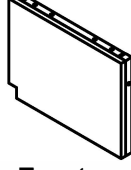
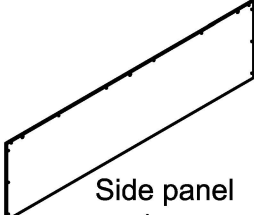
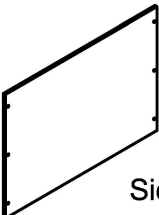
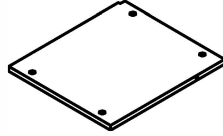
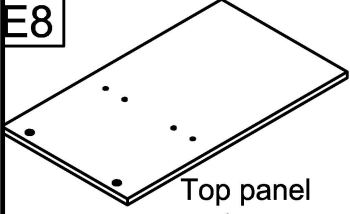
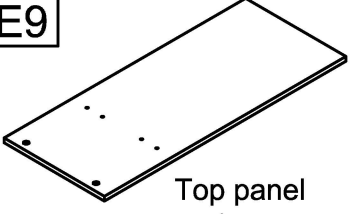
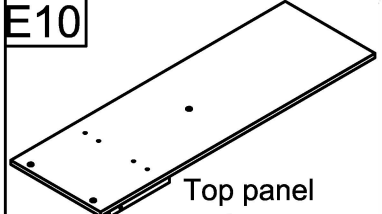


# Part List Hardware List

|   |   |   |
|---|---|---|
| <p><b>A1</b></p>  <p>Bottom legs<br/>2 pcs</p>             | <p><b>A2</b></p>  <p>Bottom legs<br/>2 pcs</p>             | <p><b>A3</b></p>  <p>Upper leg<br/>1 pc</p>            |
| <p><b>A4</b></p>  <p>Upper leg<br/>1 pc</p>                | <p><b>A5</b></p>  <p>Upper leg<br/>1 pc</p>                | <p><b>A6</b></p>  <p>Upper leg<br/>1 pc</p>            |
| <p><b>B1</b></p>  <p>Bottom Side Frame(Left)<br/>1 pc</p>  | <p><b>B2</b></p>  <p>Bottom Side Frame(Right)<br/>1 pc</p> | <p><b>B3</b></p>  <p>Top horizontal bar<br/>2pcs</p>   |
| <p><b>B4</b></p>  <p>Upper Side Frame(Left)<br/>1 pc</p> | <p><b>B5</b></p>  <p>Top horizontal bar<br/>1pcs</p>     | <p><b>B6</b></p>  <p>Top horizontal bar<br/>1pcs</p> |
| <p><b>B7</b></p>  <p>Upper Side Frame<br/>1pc</p>        | <p><b>D1</b></p>  <p>Slats<br/>18 pcs</p>                | <p><b>D2</b></p>  <p>Slats<br/>2 pcs</p>             |
| <p><b>D3</b></p>  <p>Support Slats<br/>2 pcs</p>         | <p><b>E5</b></p>  <p>Side panel<br/>1pc</p>              | <p><b>E11</b></p>  <p>Back Frame<br/>1pc</p>         |
| <p><b>E13</b></p>  <p>Side Frame<br/>1pc</p>             | <p><b>E14</b></p>  <p>Side Frame<br/>1pc</p>             |   |


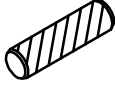


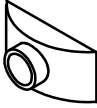

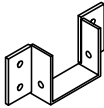





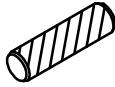
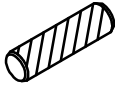




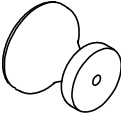

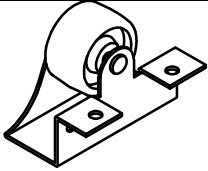
# Part List

|  |  |  |
|--|--|--|
| <b>C1</b><br><br>guard rail<br>4pcs           | <b>C2</b><br><br>Side rails<br>2pcs            | <b>C3</b><br><br>Vertical guard rails<br>4pcs           |
| <b>C4</b><br><br>Support Slat<br>1pc          | <b>C5</b><br><br>Side rails<br>2pcs            | <b>F1</b><br><br>Drawer-Front panel<br>1pc              |
| <b>F2</b><br><br>Drawer-Side panel<br>1pc     | <b>F3</b><br><br>Drawer-Side panel<br>1pc      | <b>F4</b><br><br>Drawer-Center panel<br>1pc             |
| <b>F5</b><br><br>Drawer-Center panel<br>1pc | <b>F6</b><br><br>Drawer-Bottom panels<br>2pcs | <b>F7</b><br><br>Drawer-Support Bottom panels<br>3pcs |
| <b>F8</b><br><br>Drawer-Back panel<br>1pc   |  |  |

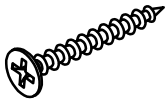
# Part List

|   |  |   |
|---|--|---|
| <p><b>E1</b></p>  <p>Front panel<br/>1 pc</p>  | <p><b>E2</b></p>  <p>Front panels<br/>2pcs</p>  | <p><b>E3</b></p>  <p>Front panel<br/>1pc</p> |
| <p><b>E4</b></p>  <p>Side panel<br/>1pc</p>    | <p><b>E6</b></p>  <p>Side panel<br/>1pc</p>     | <p><b>E7</b></p>  <p>Top panel<br/>1pc</p>   |
| <p><b>E8</b></p>  <p>Top panel<br/>1pc</p>      | <p><b>E9</b></p>  <p>Top panel<br/>1pc</p>      | <p><b>E10</b></p>  <p>Top panel<br/>1pc</p>  |
| <p><b>E12</b></p>  <p>Back Frame<br/>1pc</p> | <p><b>E15</b></p>  <p>Support Bar<br/>1pc</p> |   |

# Hardware List

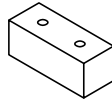
|  |   |   |
|--|---|---|
| <p>1</p>  <p>Screws 1/4" x100<br/>16pcs</p>                     | <p>2</p>  <p>Ø10 x 40 mm<br/>Wood dowel 42pcs</p>          | <p>3</p>  <p>M4 x 30 mm<br/>Wood Screws 78pcs</p>                |
| <p>4</p>  <p>Ø1/4" x 80 mm<br/>Hex-Head bolts 24pcs</p>         | <p>5</p>  <p>Half Moon<br/>16pcs</p>                       | <p>6</p>  <p>Allen Key 1pc</p>                                   |
| <p>7</p>  <p>Steel Bracket<br/>2pc</p>                          | <p>8</p>  <p>M4 x 20 mm<br/>Wood Screws 8pcs</p>           | <p>9</p>  <p>Ø1/4" x 25 mm<br/>Hex-Head bolts 39pcs</p>          |
| <p>10</p>  <p>Ø1/4" x 15 mm<br/>Canopy head though- 14pcs</p> | <p>11</p>  <p>Ø1/4" x 50 mm<br/>Hex-Head bolts 2pcs</p>  | <p>12</p>  <p>Ø1/4" x 13 mm<br/>Horizontal-Hole bolts 8pcs</p> |
| <p>13</p>  <p>Ø12 x 110 mm<br/>Wood dowel 4pcs</p>            | <p>14</p>  <p>Ø8 x 25 mm<br/>Wood dowel 22pcs</p>        | <p>15</p>  <p>M6 x 15 mm<br/>Wood Screws 38pcs</p>             |
| <p>16</p>  <p>Screws 1/4" x60<br/>4pcs</p>                    | <p>17</p>  <p>Ø1/4" x 35 mm<br/>Hex-Head bolts 10pcs</p> | <p>18</p>  <p>Screws 1/4" x50<br/>2pcs</p>                     |
| <p>19</p>  <p>Wood Handle<br/>3pcs</p>                        | <p>20</p>  <p>Ø1/6" x 25 mm<br/>3pcs</p>                 | <p>21</p>  <p>Wheels<br/>4pcs</p>                              |

22

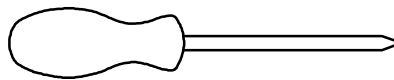


M3.5 x 12 mm  
Wood Screws 12pcs

23



Stop Trundles - 2pcs

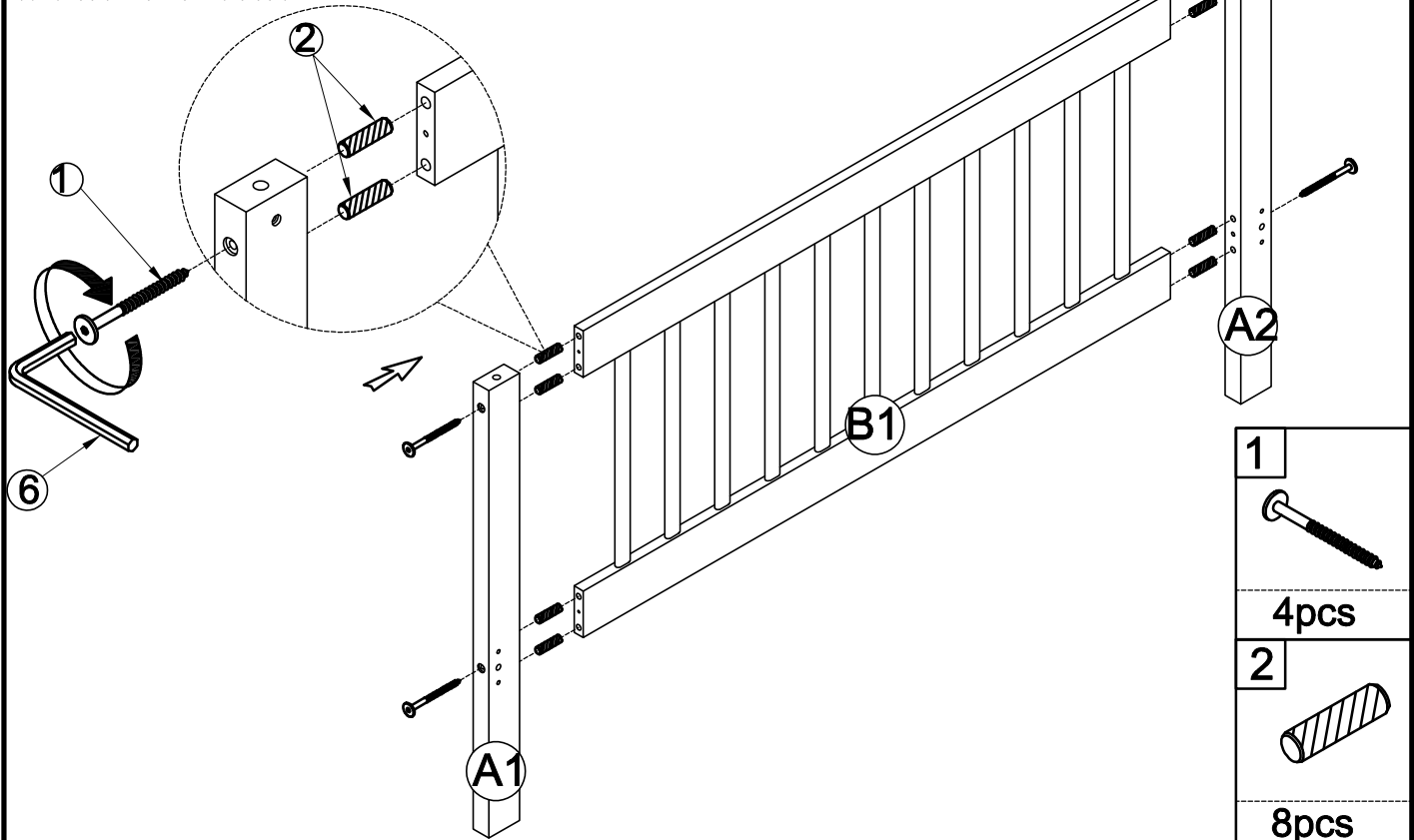


Assembly Tools Required (Not Included)

# STEP 1: Following below illustration Assembly Bottom bed's Headboard.

Using hardware #1 and dowel #2 connect A1 and A2 legs with B1 Frame.

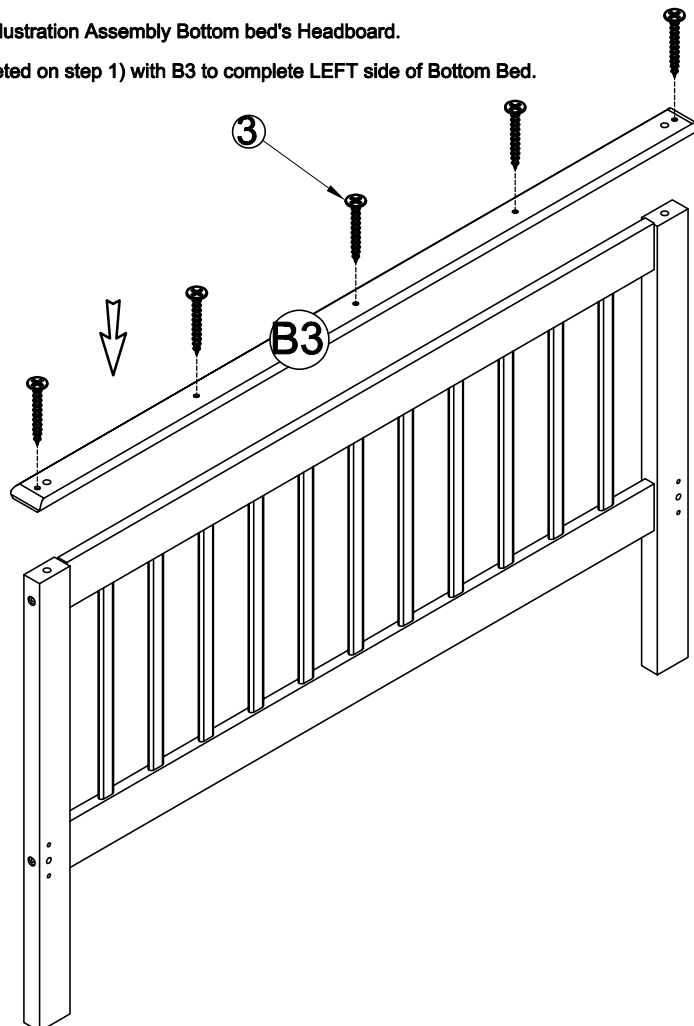
Look at detail view for more detail



# STEP 2: Following below illustration Assembly Bottom bed's Headboard.

Using hardware #3 connect Frame(completed on step 1) with B3 to complete LEFT side of Bottom Bed.

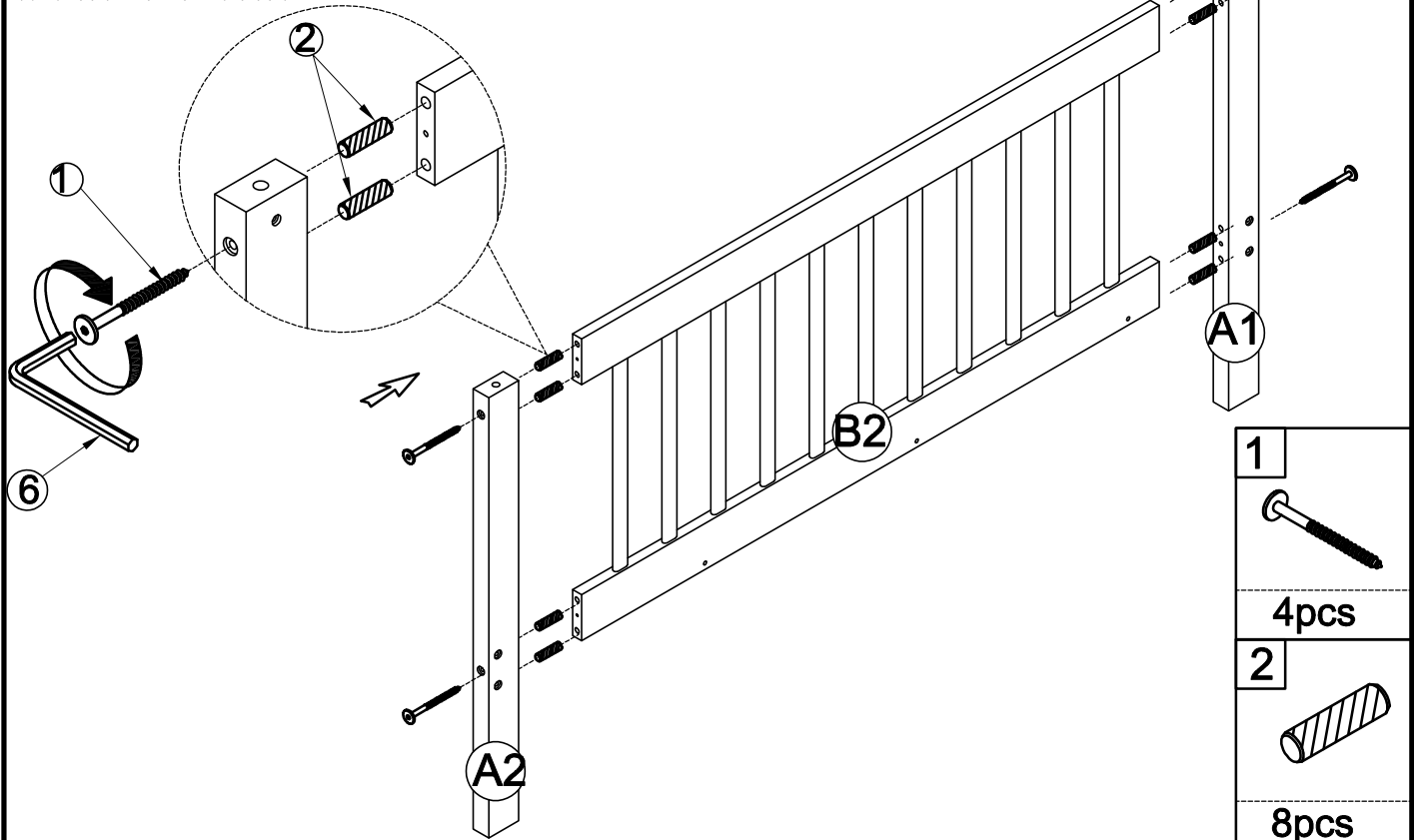
Look at detail view for more detail



### STEP 3: Following below illustration Assembly Bottom bed's Footboard.

Using hardware #1 and dowel #2 connect A1 and A2 legs with B2 Frame.

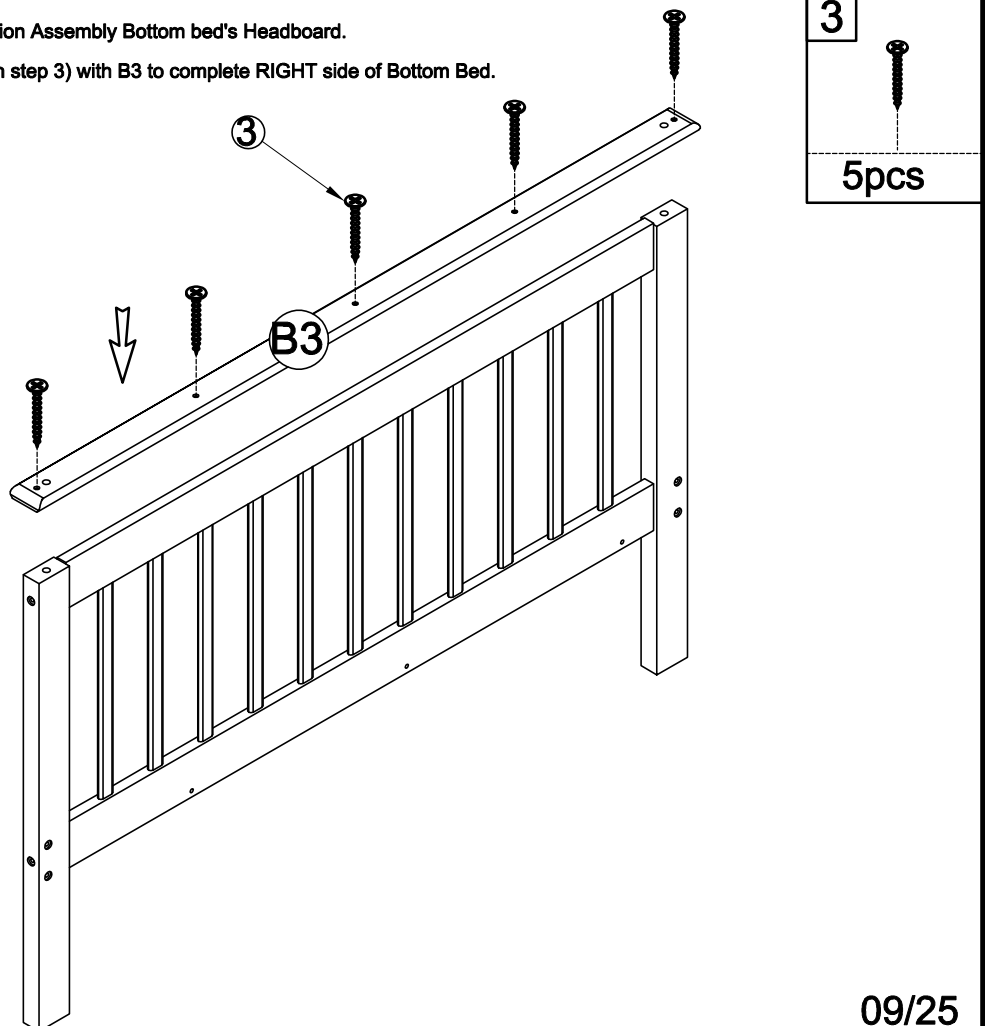
Look at detail view for more detail



### STEP 4: Following below illustration Assembly Bottom bed's Headboard.

Using hardware #3 connect Frame(completed on step 3) with B3 to complete RIGHT side of Bottom Bed.


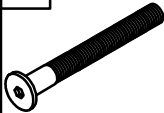

Look at detail view for more detail

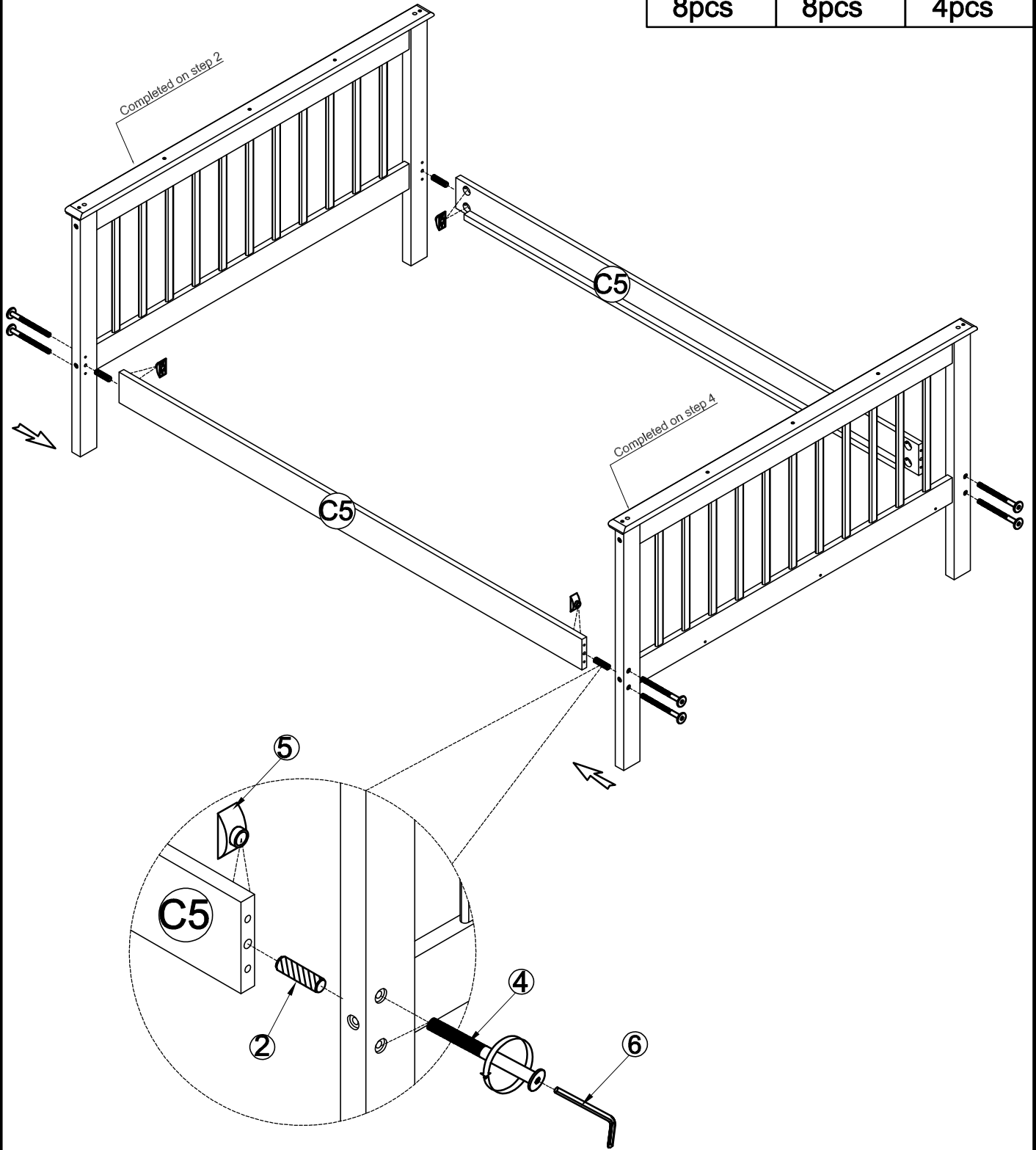


# STEP 5:

Following below illustration Using hardware #4,#5 and dowel #2

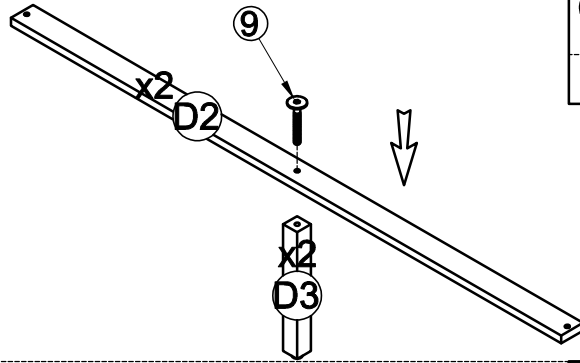
follow detail view to Assembly Bottom bed's Headboard(Completed on step 2) and Footboard(Completed on step 4) with siderail C5(x2).Look at detail view for more detail

|   |   |   |
|---|---|---|
| 5   | 4   | 2   |
|  |  |  |
| 8pcs  | 8pcs  | 4pcs  |

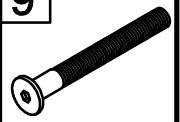


# STEP 6-1: Following below illustration:

Connect 2 slats D2 with 2 Leg(center) D3 by using hardward #9.



9



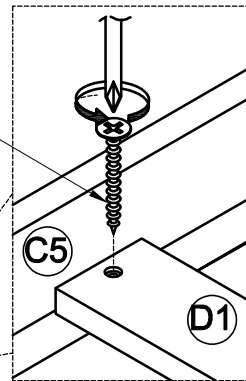
2pcs

# STEP 6-2: Following below illustration:

-Screw 8 slats D1 and 2 slats D2(Completed on step 6-1) with Side Rail C5 by using hardward #3.

-Screw 2 Stop drawer on Siderail using hardward #3

-Look at detail view for more detail



3

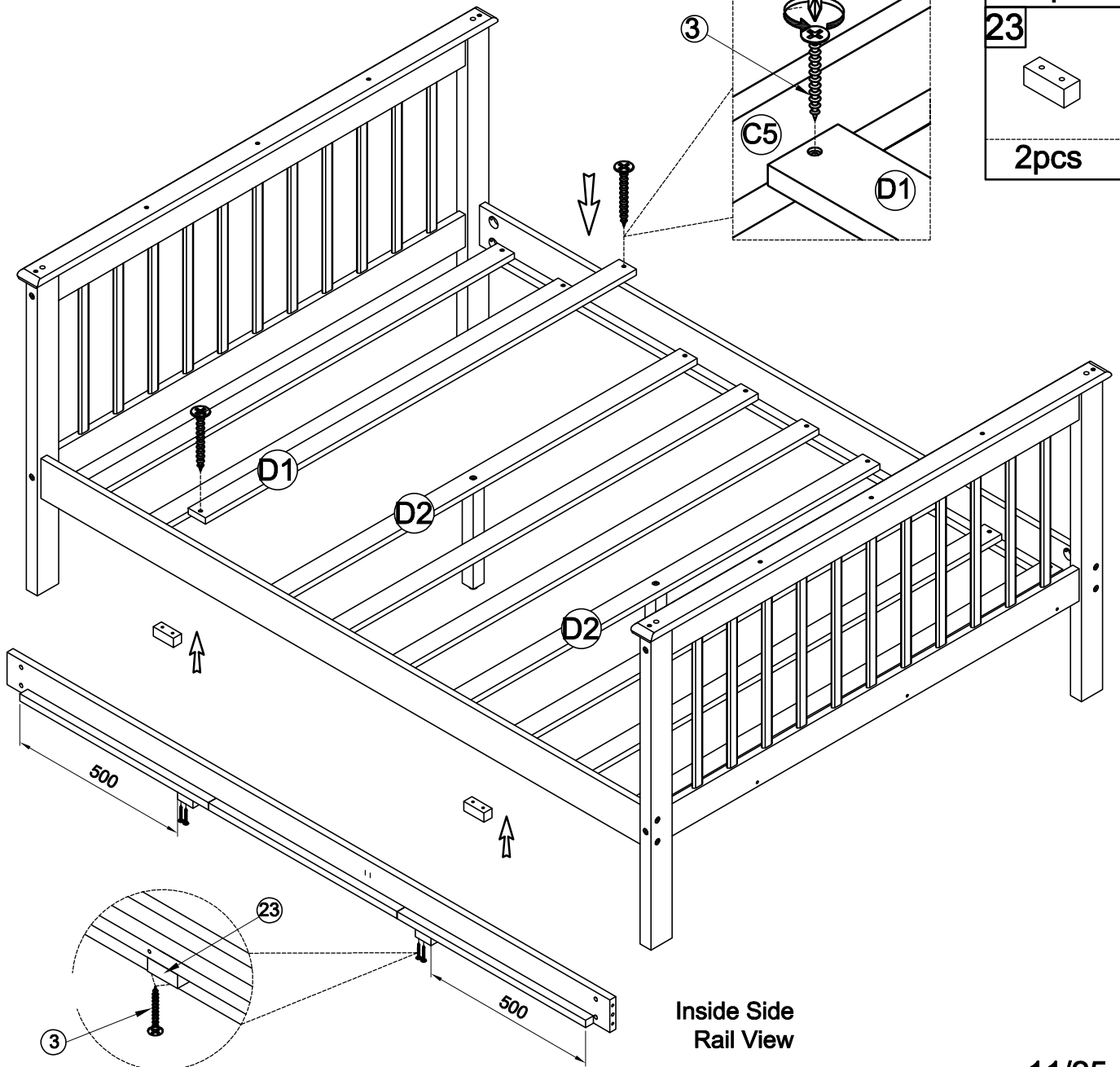


24pcs

23



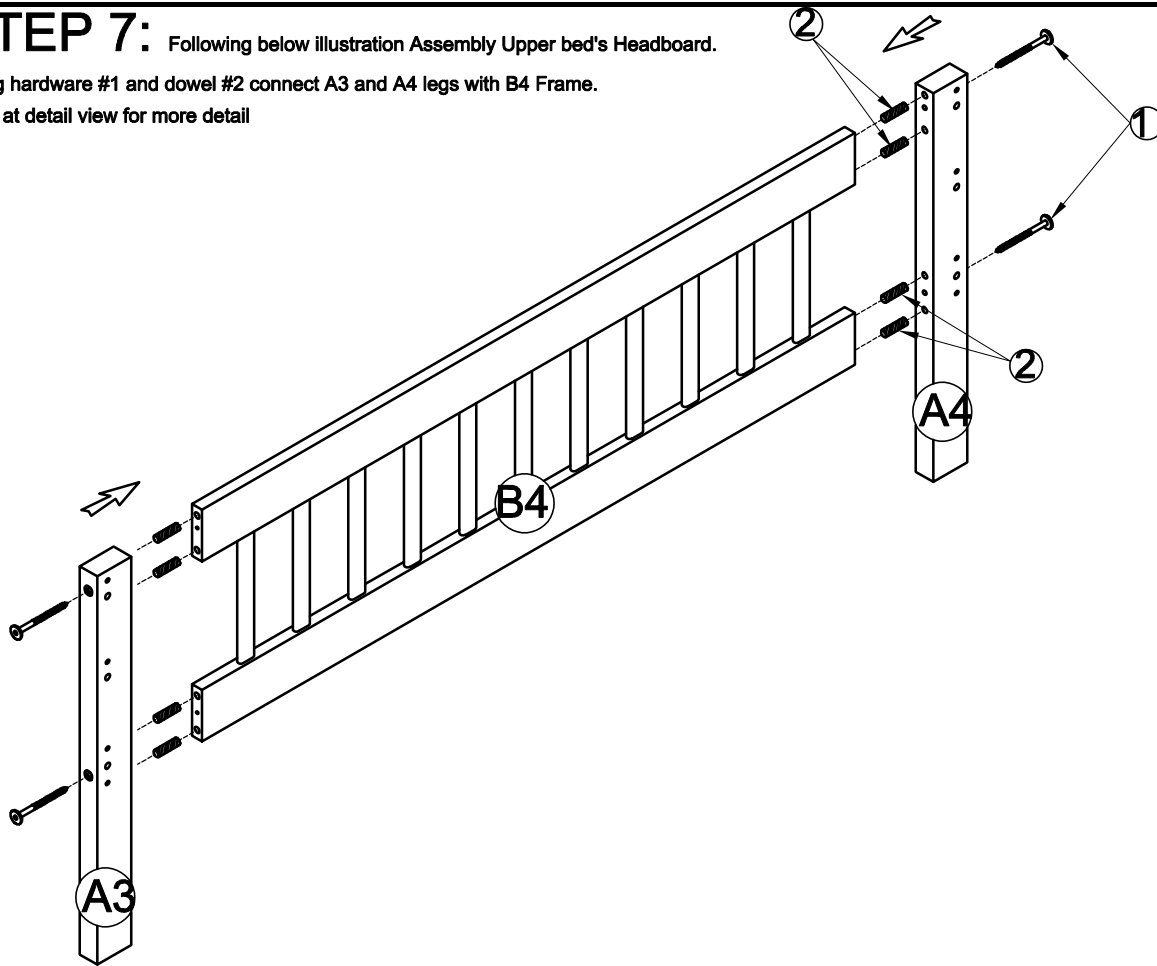
2pcs



Inside Side Rail View

# STEP 7: Following below illustration Assembly Upper bed's Headboard.

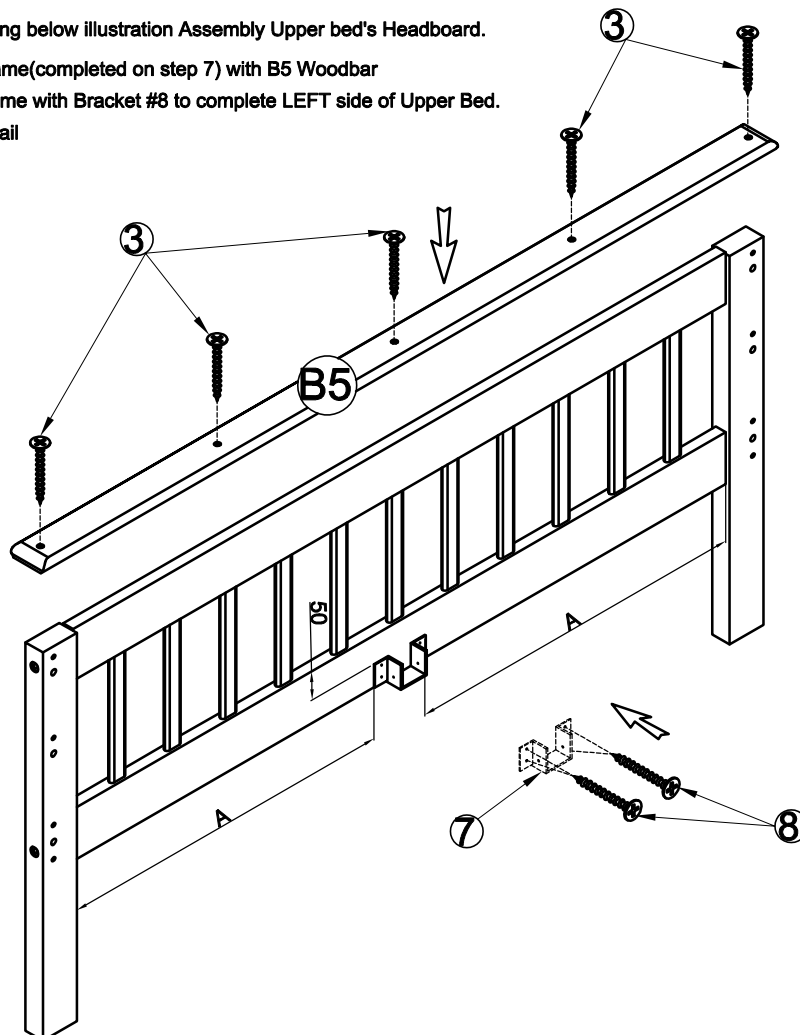
Using hardware #1 and dowel #2 connect A3 and A4 legs with B4 Frame.  
Look at detail view for more detail



|   |      |
|---|------|
| 1 |      |
|   | 4pcs |
| 2 |      |
|   | 8pcs |

# STEP 8: Following below illustration Assembly Upper bed's Headboard.

Using hardware #3 connect Frame(completed on step 7) with B5 Woodbar  
Using hardware #7 connect Frame with Bracket #8 to complete LEFT side of Upper Bed.  
Look at detail view for more detail



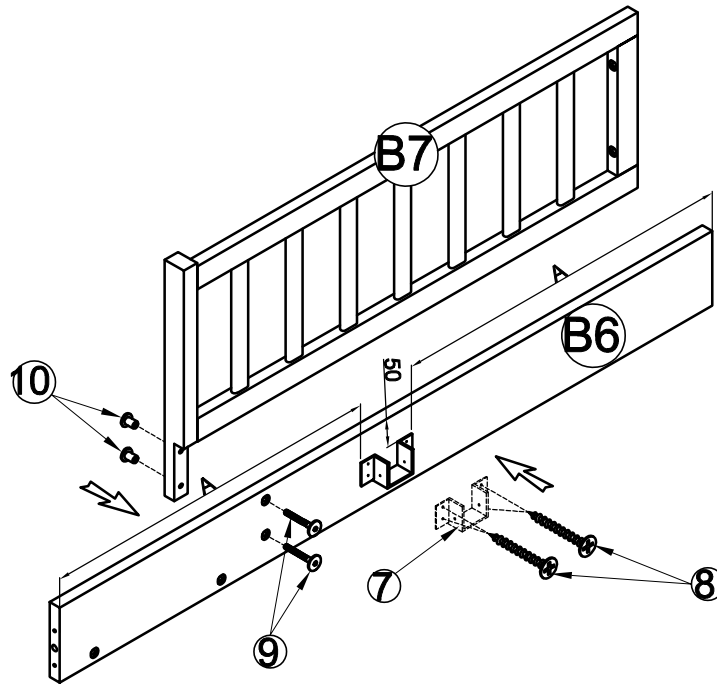
|   |      |
|---|------|
| 3 |      |
|   | 5pcs |
| 8 |      |
|   | 4pcs |
| 7 |      |
|   | 1pcs |

## STEP 9: Following below illustration Assembly Upper bed's Footboard.

Using hardware #9,#10 connect B7 Frame with B6 Woodbar

Using hardware #7 connect Frame with Bracket #8.

Look at detail view for more detail

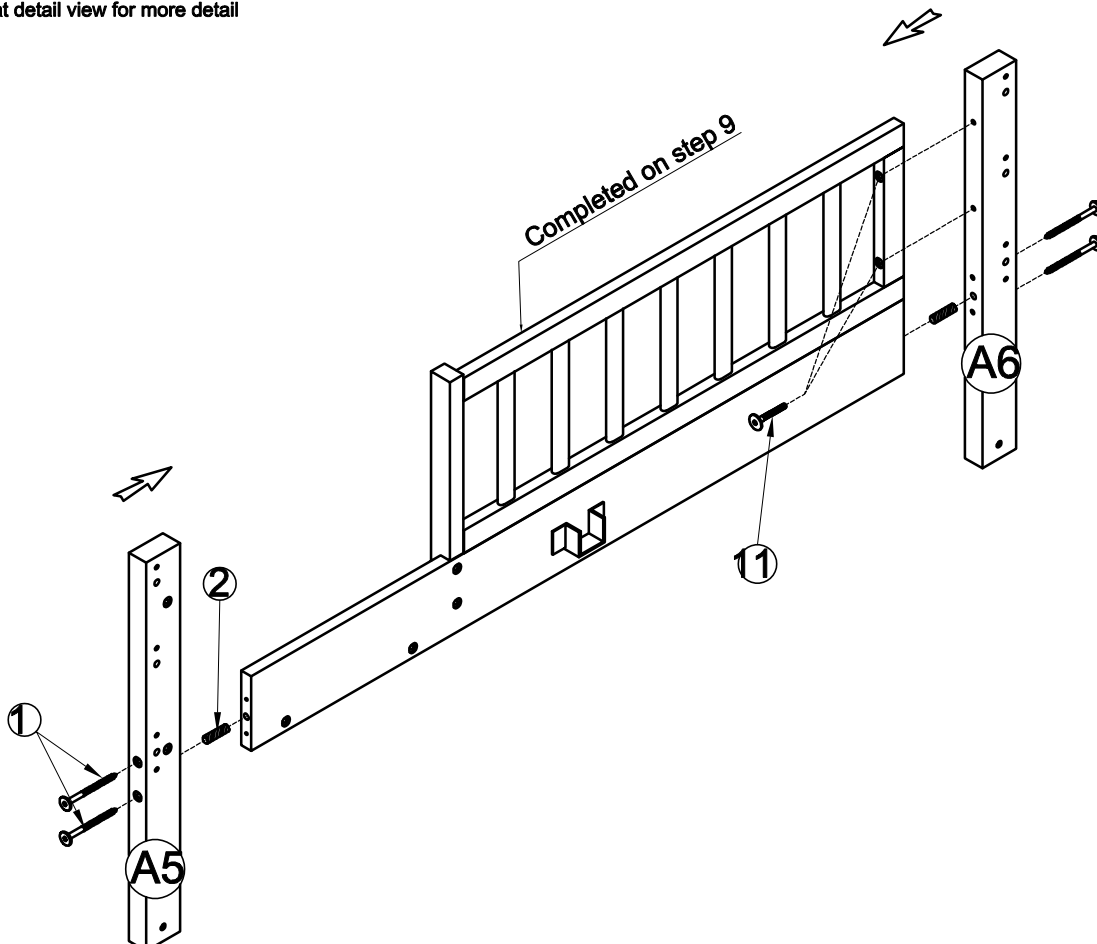


|    |      |   |      |
|----|------|---|------|
| 9  |      | 8 |      |
|    | 2pcs |   | 4pcs |
| 10 |      | 7 |      |
|    | 2pcs |   | 1pcs |

## STEP 10: Following below illustration Assembly Upper bed's Footboard.

Using hardware #1,#11 and dowel #2 connect Frame(completed on step 9) with Legs A5,A6

Look at detail view for more detail





|    |      |
|----|------|
| 1  |      |
|    | 4pcs |
| 2  |      |
|    | 2pcs |
| 11 |      |
|    | 2pcs |

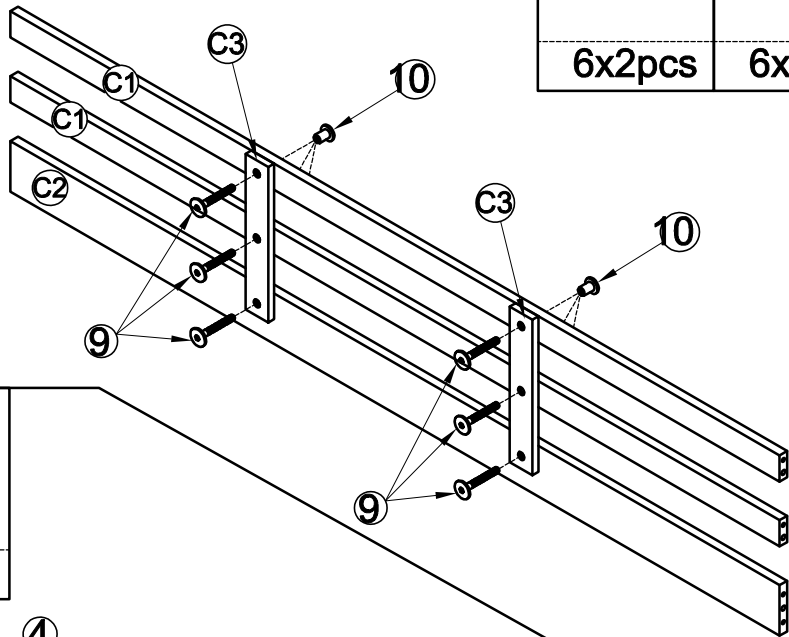
# STEP 11: Following below illustration Assembly Upper bed's Footboard.


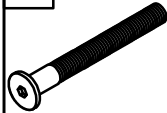

Using hardware #9,#10 connect B7 Frame with B6 Woodbar


Using hardware #7 connect Frame with Bracket #8.

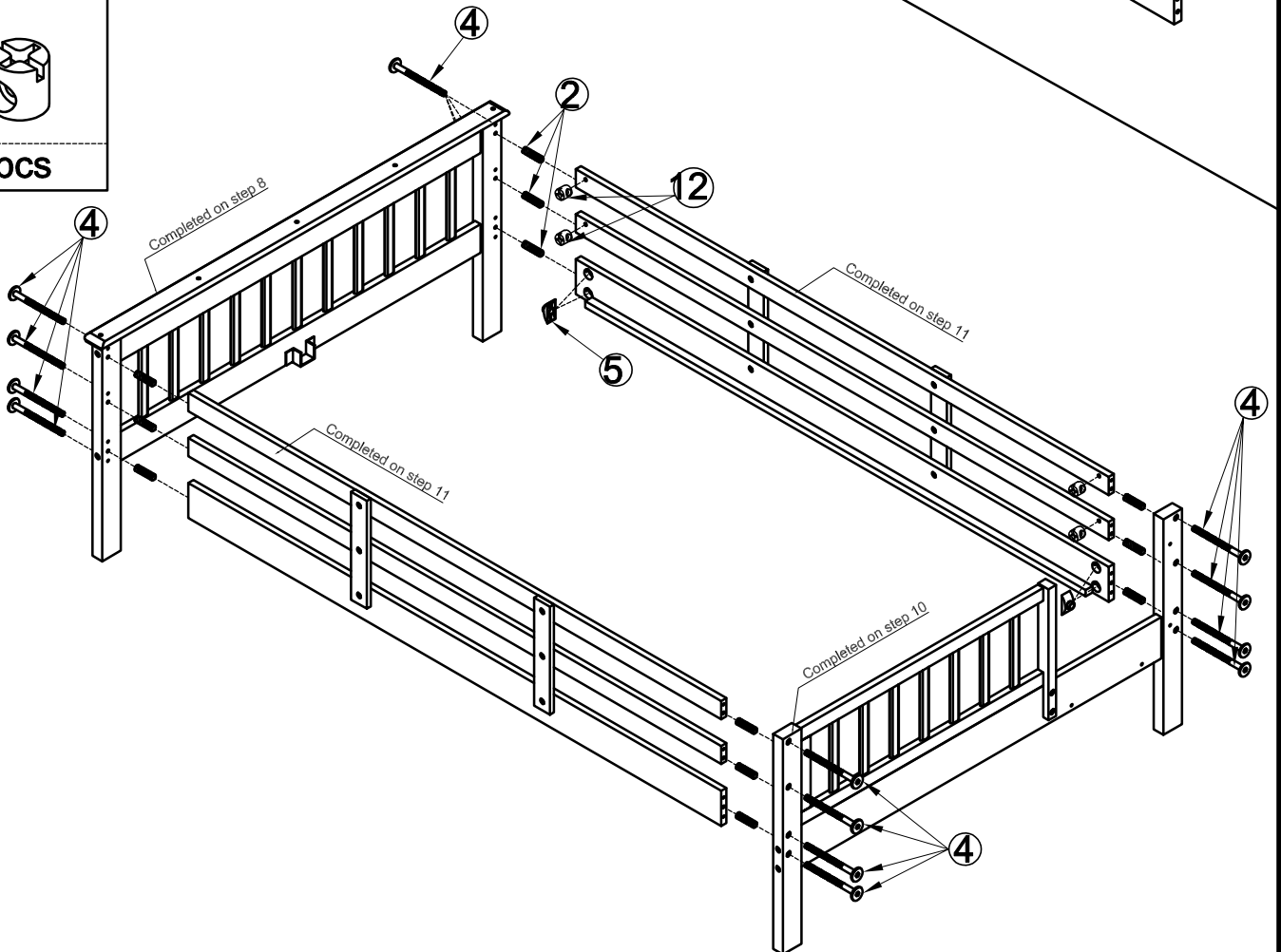
Look at detail view for more detail

|   |   |
|---|---|
| 10  | 9   |
|  |  |
| 6x2pcs  | 6x2pcs  |



|   |   |   |
|---|---|---|
| 5   | 4   | 2   |
|  |  |  |
| 8pcs  | 16pcs   | 12pcs   |

|   |
|---|
| 12  |
|  |
| 8pcs  |



# STEP 12: Following below illustration Using hardware #4,#5,#12 and dowel #2

follow detail view to Assembly Upper bed's Headboard(Completed on step 8) and

Footboard(Completed on step 10) with Frame (Completed on step 11).

Look at detail view for more detail

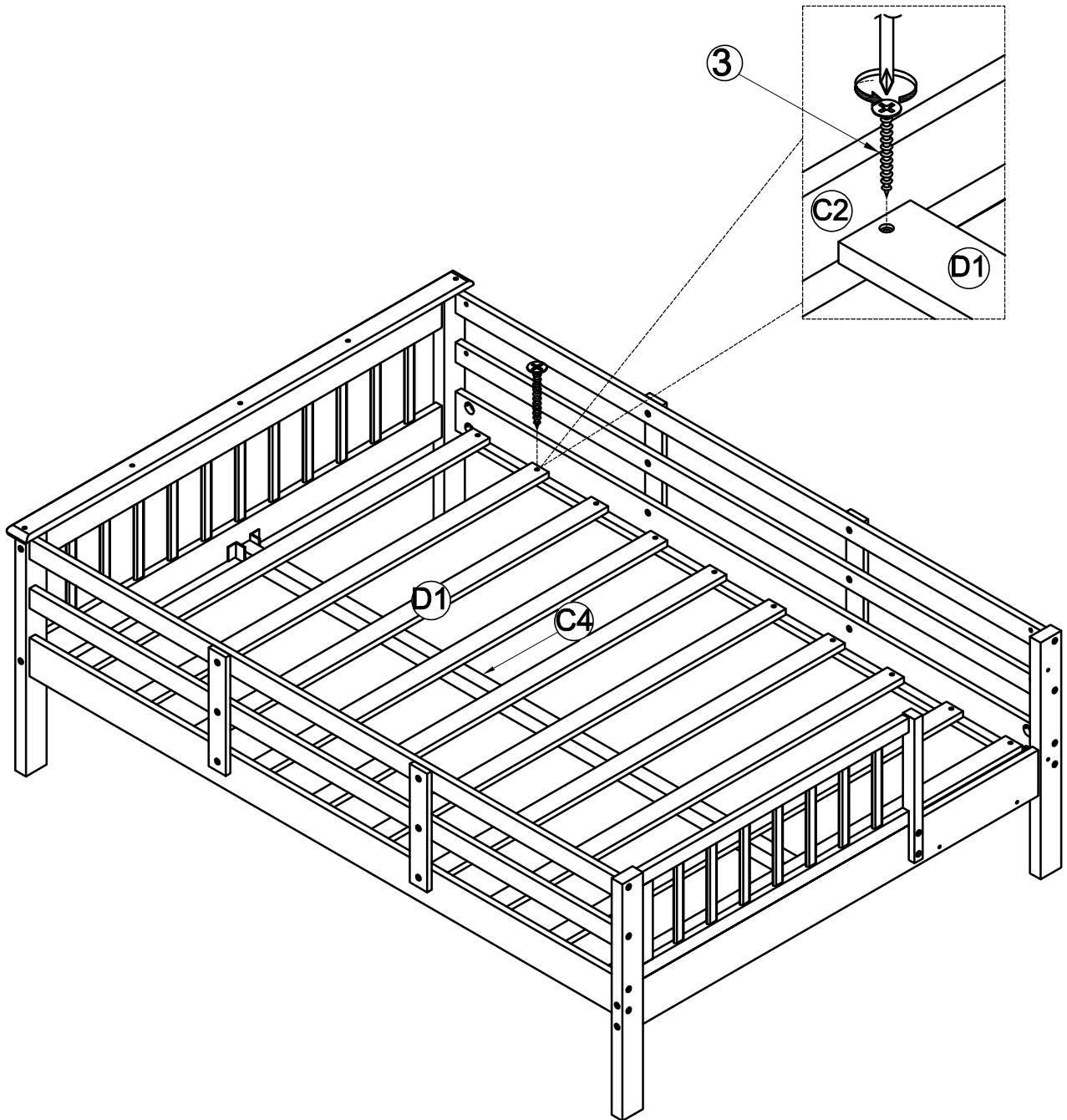
# STEP 13: Following below illustration:

- Put Support Slat C4(x1) on position
- Screw 10 slats D1 and with Side Rail C2 by using hardward #3.
- Look at detail view for more detail

3

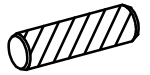


20pcs

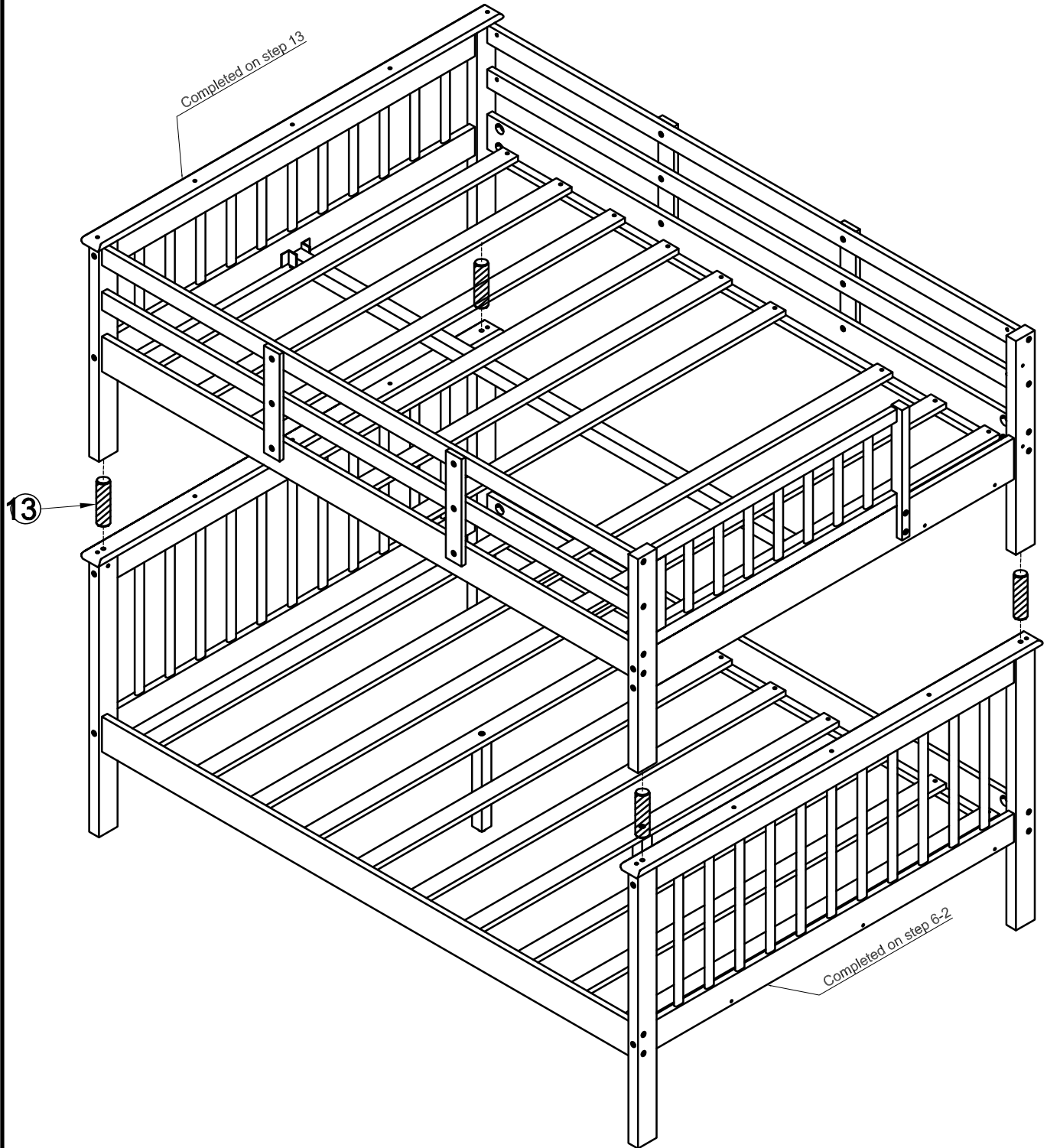


**STEP 14:** Following below illustration. Lay the Upper Bed (Completed on step 13)  
on Bottom Bed (Completed on step 6-2). Using the Dowel #13 to connect head of Bottom Bed legs  
with end of Upper Bed legs.

13

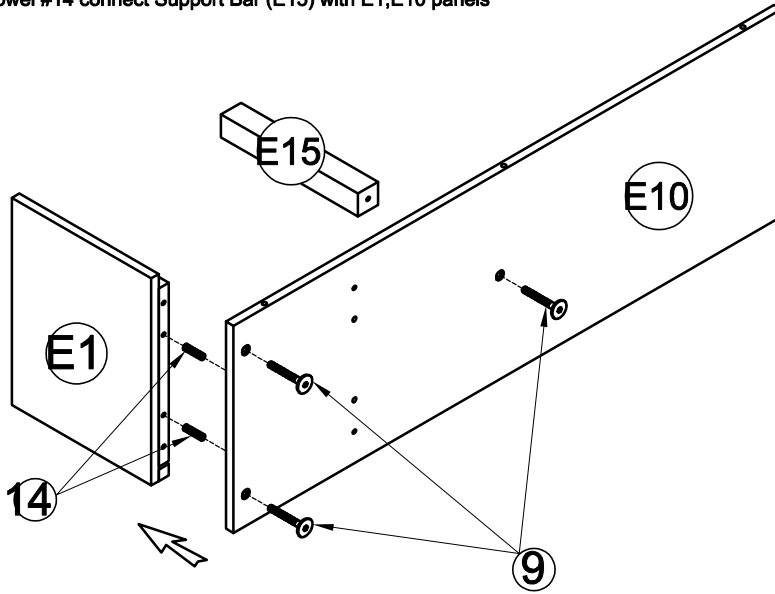


4(pcs)



## STEP 15-1:ASSEMBLY STAIRCASE

Using hardware #9 and dowel #14 connect Support Bar (E15) with E1,E10 panels

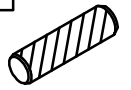


9



3pcs

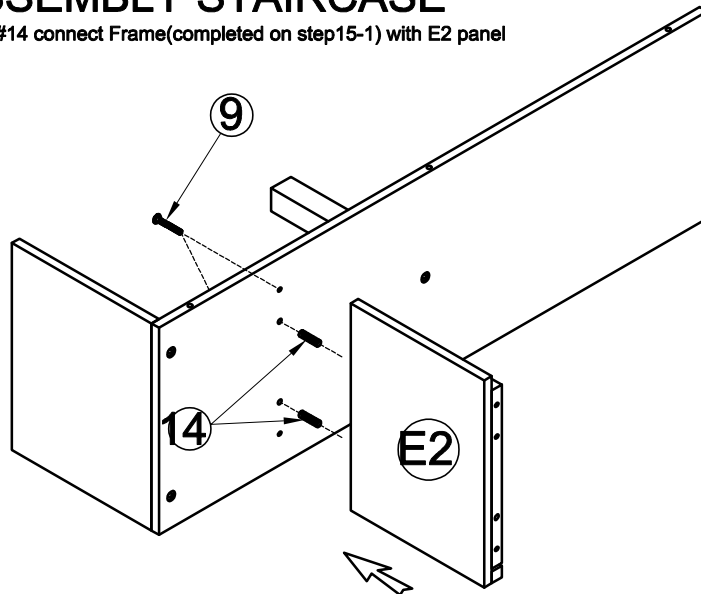
14



2pcs

## STEP 15-2:ASSEMBLY STAIRCASE

Using hardware #9 and dowel #14 connect Frame(completed on step15-1) with E2 panel

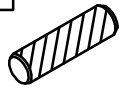


9



2pcs

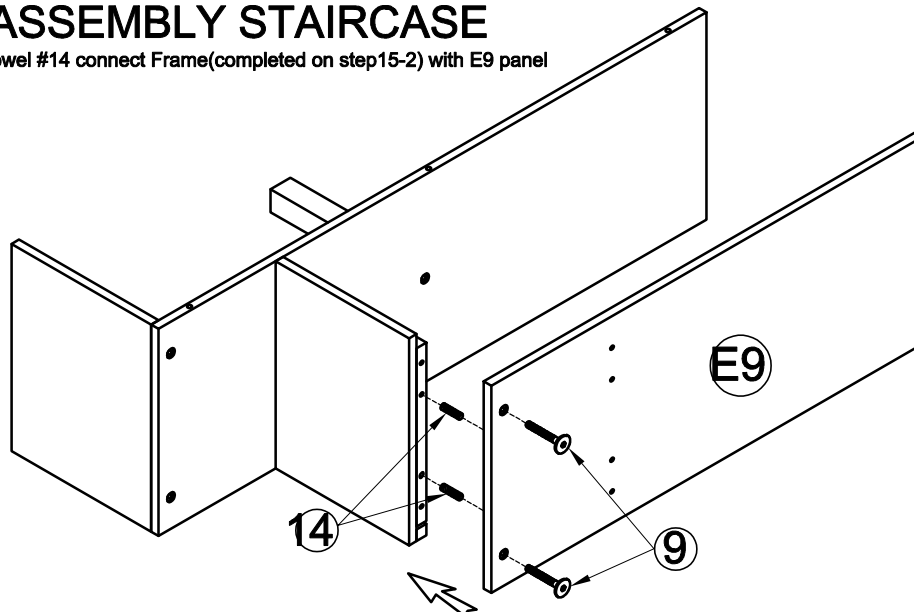
14



2pcs

## STEP 15-3:ASSEMBLY STAIRCASE

Using hardware #9 and dowel #14 connect Frame(completed on step15-2) with E9 panel

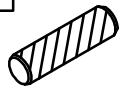


9



2pcs

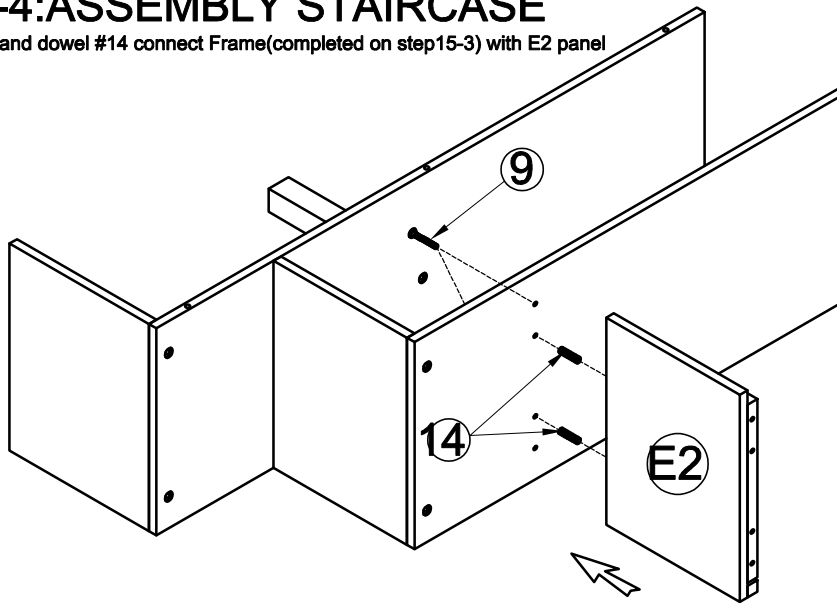
14



2pcs

### STEP 15-4:ASSEMBLY STAIRCASE

Using hardware #9 and dowel #14 connect Frame(completed on step15-3) with E2 panel

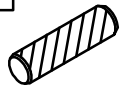


9



2pcs

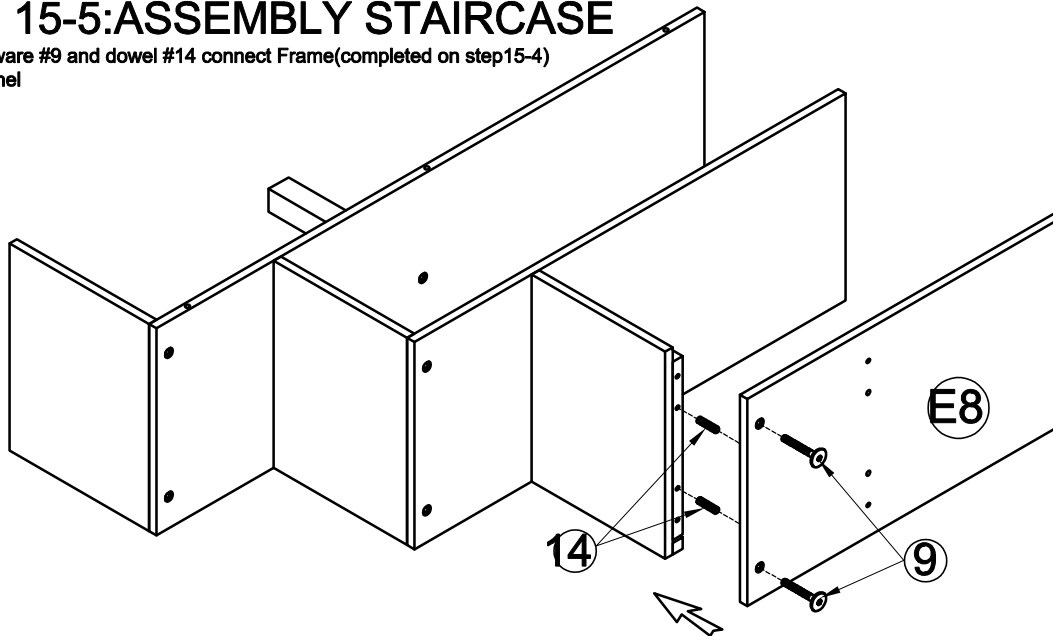
14



2pcs

### STEP 15-5:ASSEMBLY STAIRCASE

Using hardware #9 and dowel #14 connect Frame(completed on step15-4) with E8 panel

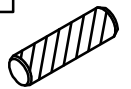


9



2pcs

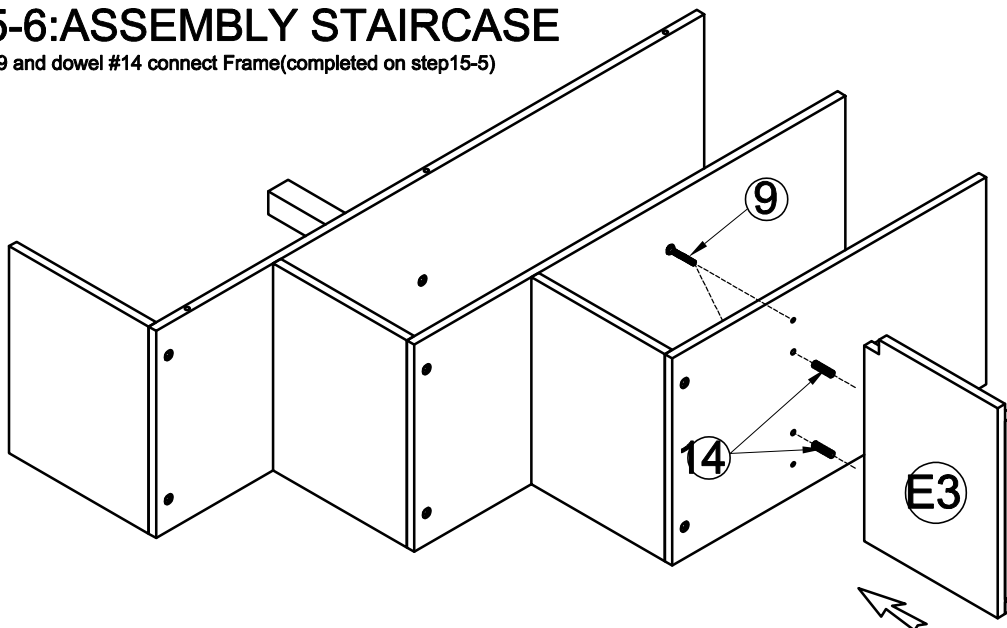
14



2pcs

### STEP 15-6:ASSEMBLY STAIRCASE

Using hardware #9 and dowel #14 connect Frame(completed on step15-5) with E3 panel

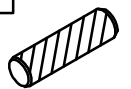


9



2pcs


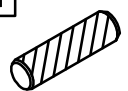
14

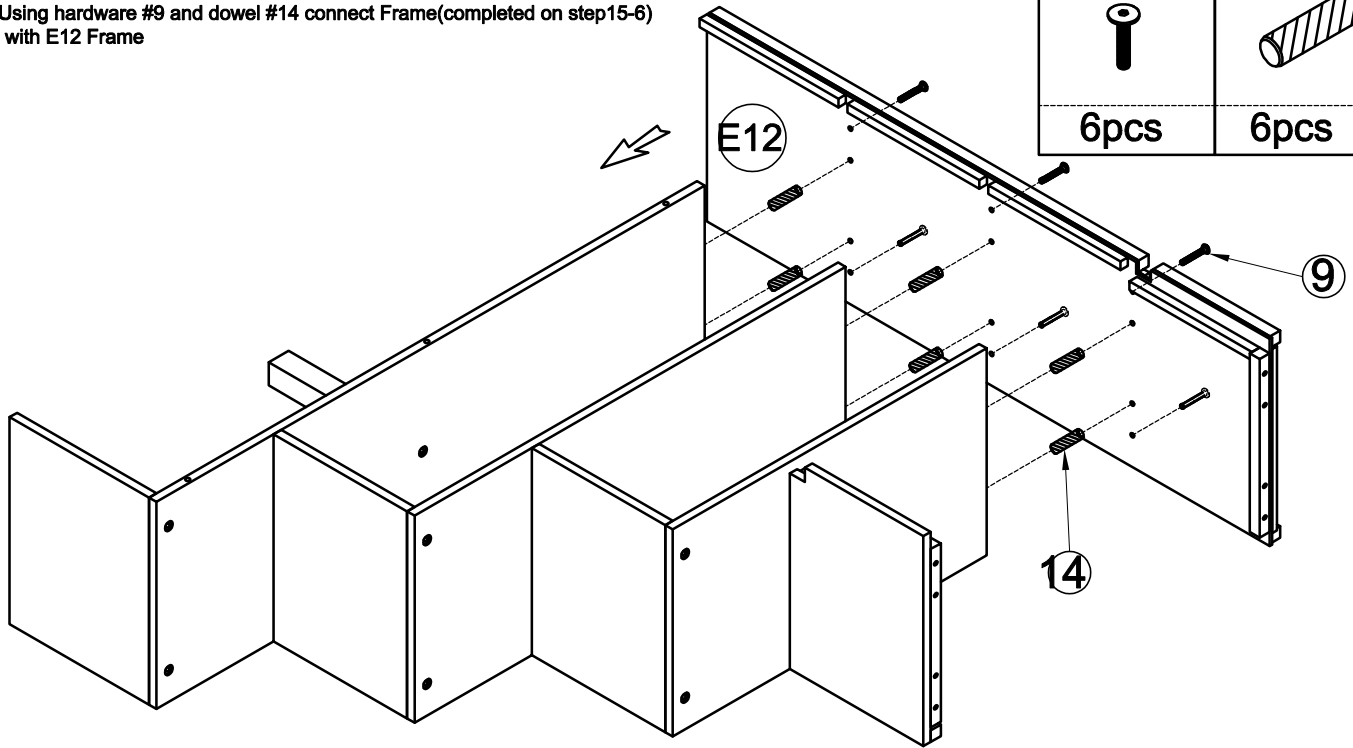


2pcs

# STEP 15-7:ASSEMBLY STAIRCASE


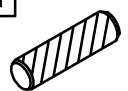
Using hardware #9 and dowel #14 connect Frame(completed on step15-6) with E12 Frame

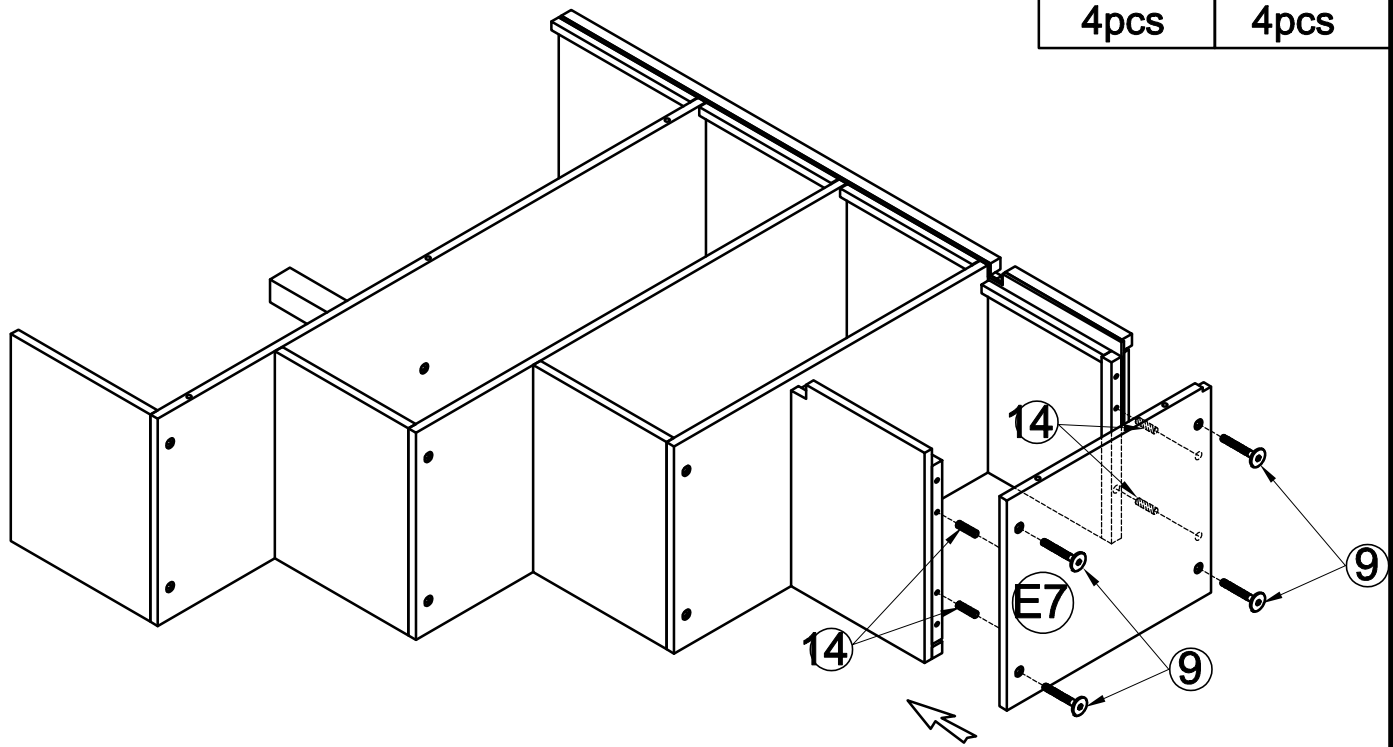
|   |   |
|---|---|
| 9   | 14  |
|  |  |
| 6pcs  | 6pcs  |



# STEP 15-8:ASSEMBLY STAIRCASE

Using hardware #9 and dowel #14 connect Frame(completed on step15-7) with E7 Panel

|   |   |
|---|---|
| 9   | 14  |
|  |  |
| 4pcs  | 4pcs  |



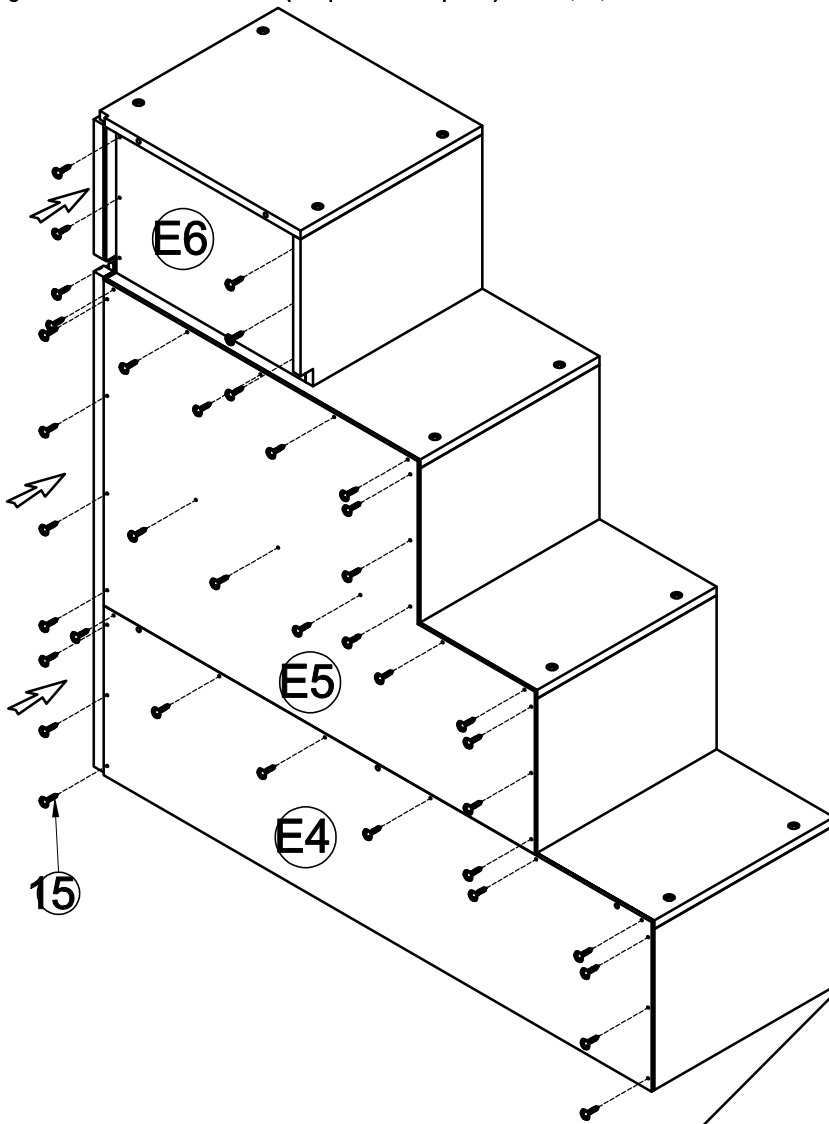
# STEP 15-9:ASSEMBLY STAIRCASE

Using hardware #15 connect Frame(completed on step15-8) with E4,E5,E6 Panels

15

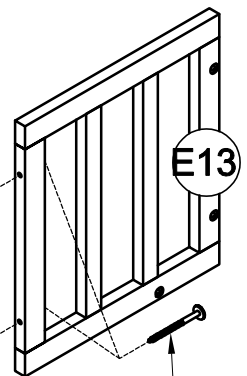


38pcs



# STEP 15-10:ASSEMBLY STAIRCASE

Using hardware #16 connect E13 Frame with E14 Frame

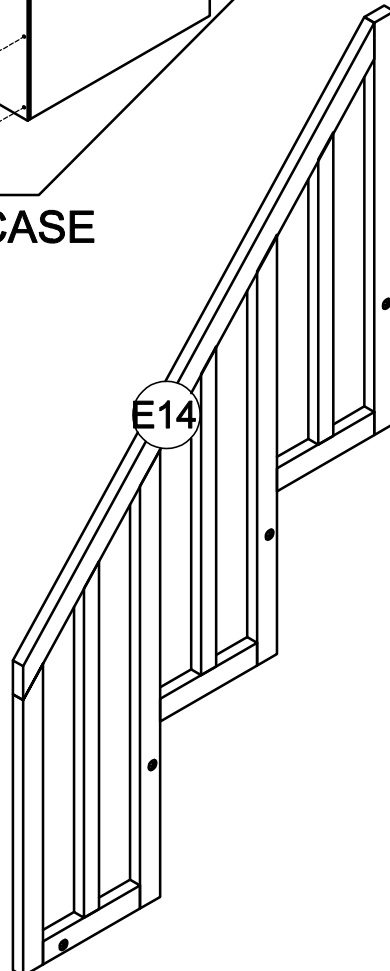


16

16





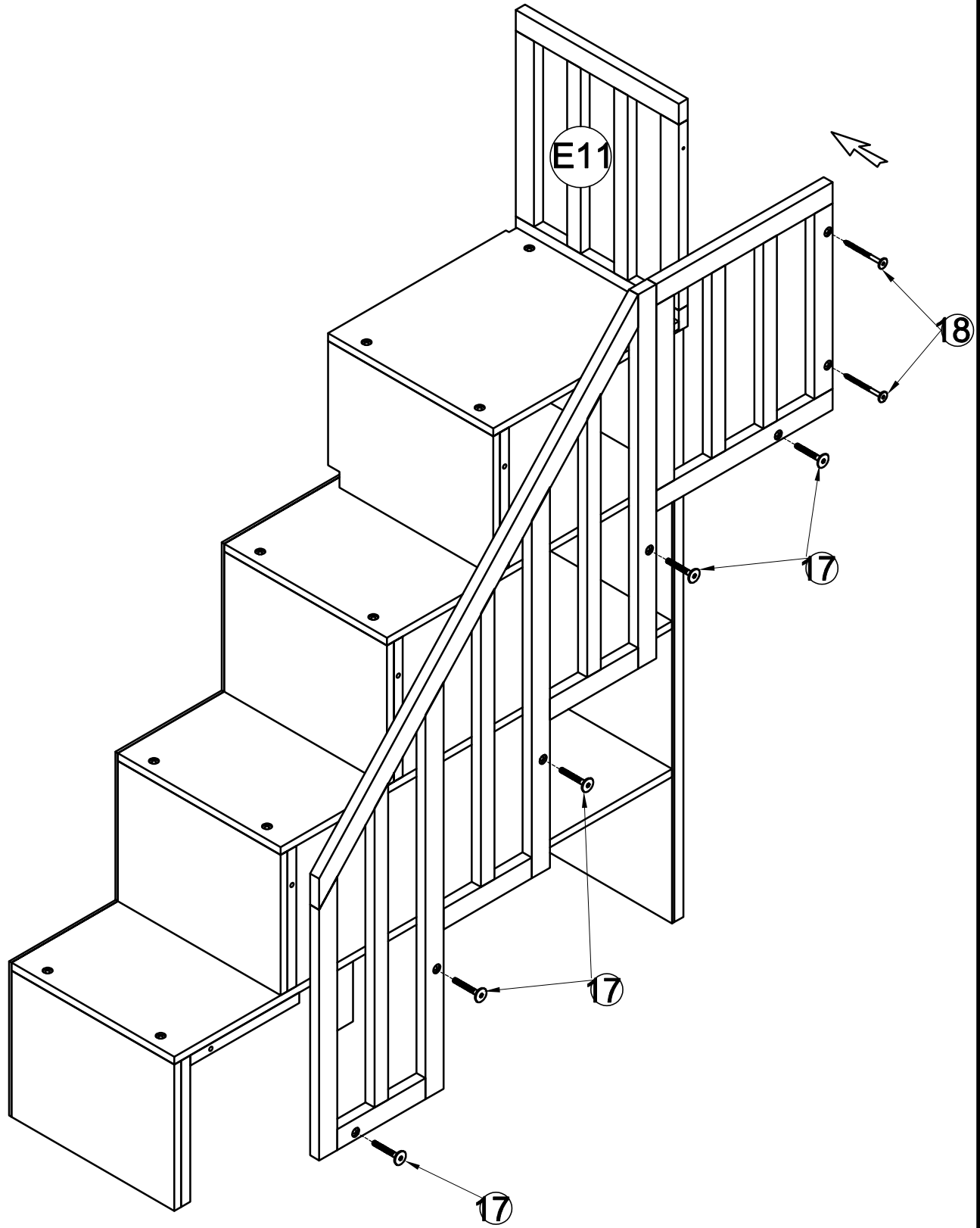
2pcs



# STEP 15-11:ASSEMBLY STAIRCASE



Using hardware #17,#18 connect Frame(completed on step15-9) with Frame(completed on step15-10) and E11 Frame

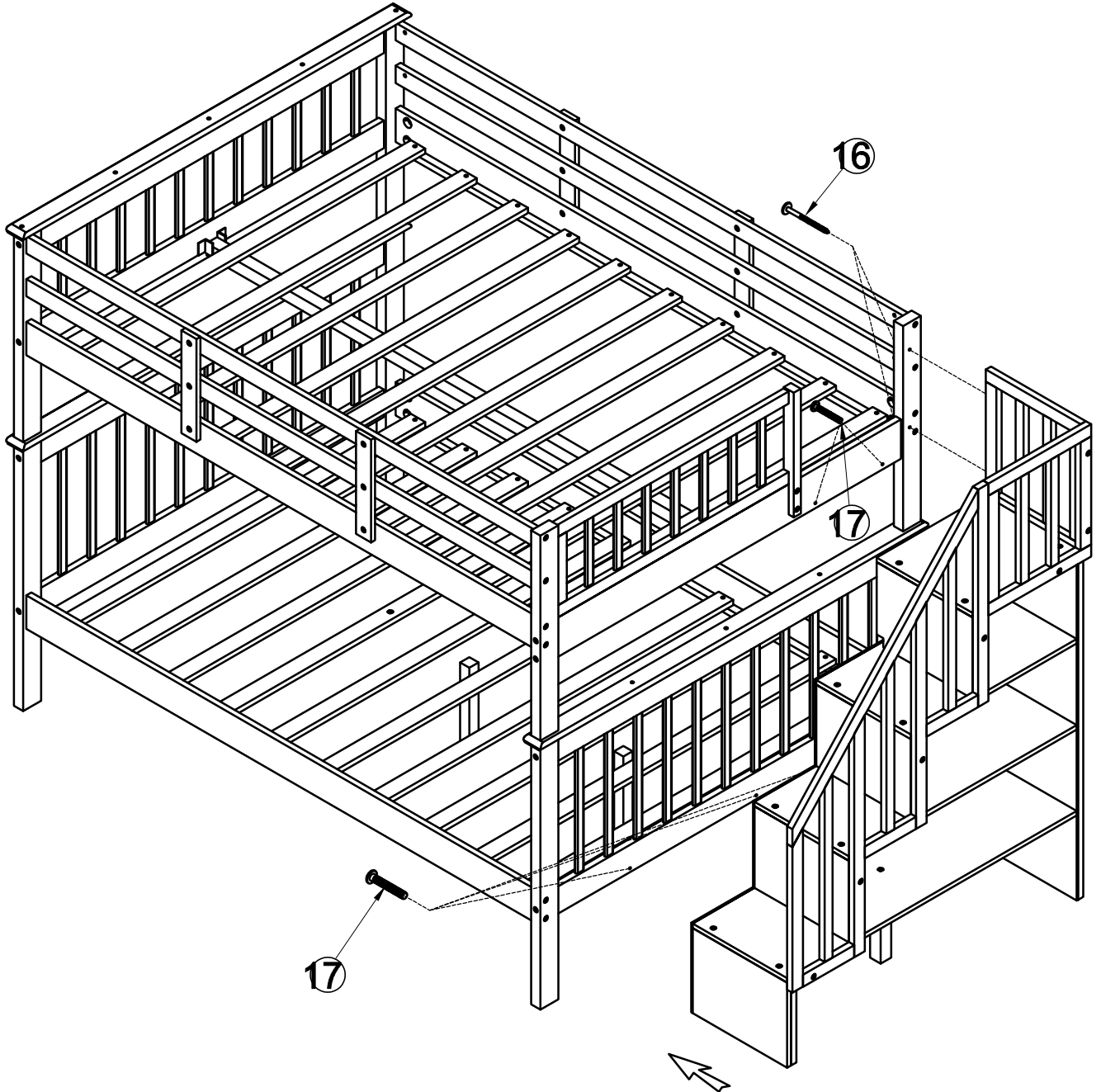
|   |   |
|---|---|
| 17  | 18  |
|  |  |
| 5pcs  | 2pcs  |



# STEP 16

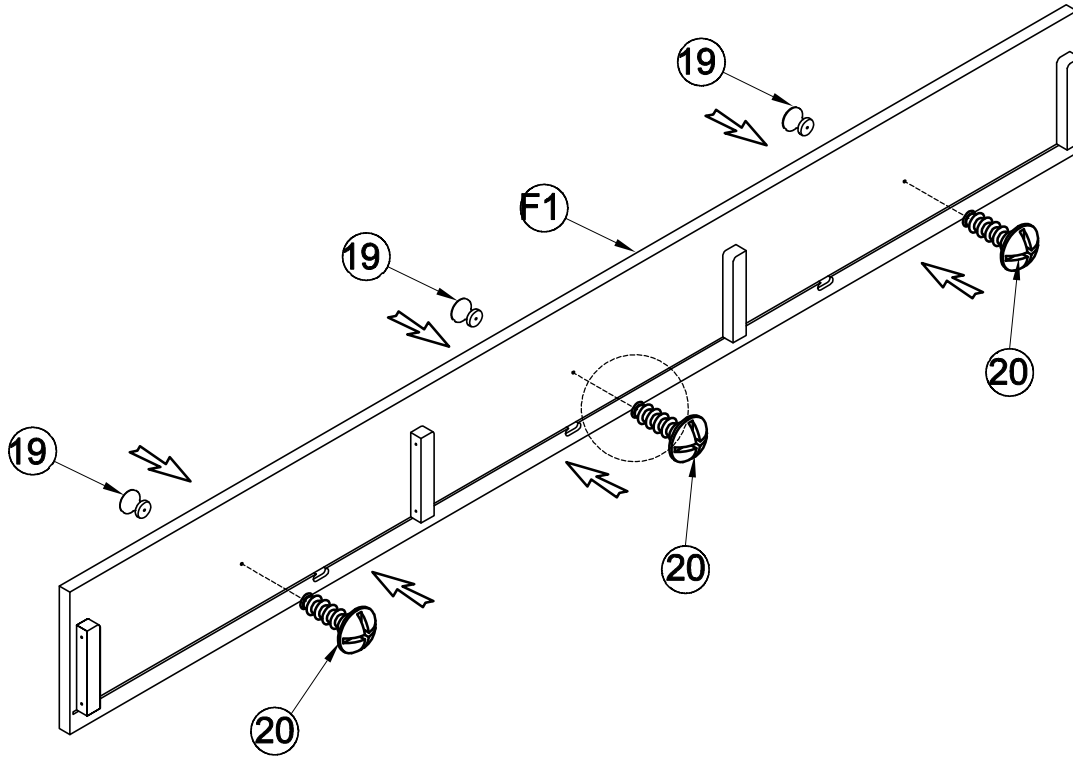
Align and fix the staircase and the bunk beds, Using #16,#17 connect the staircase with bunk beds

|   |   |
|---|---|
| 17  | 16  |
|  |  |
| 5pcs  | 2pcs  |



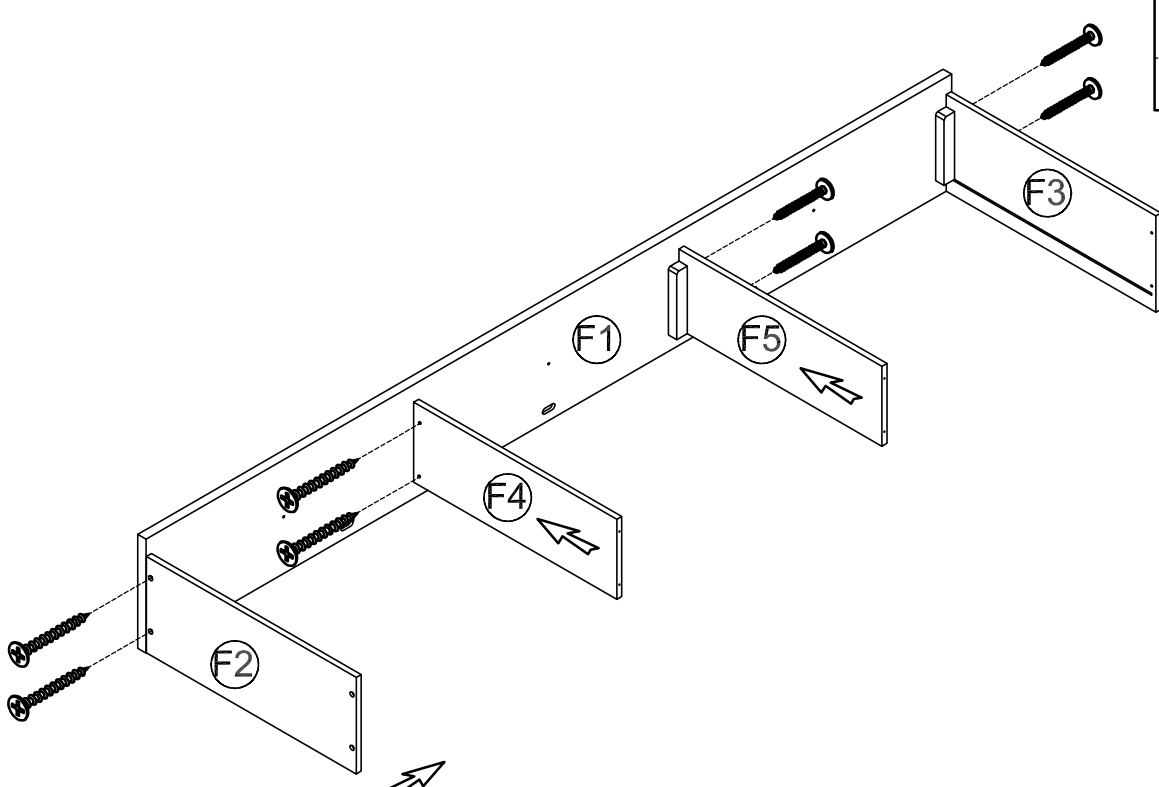
CONGRARULATION. YOU HAVE COMPLETED THE BED.

# STEP 17-1:ASSEMBLY DRAWER



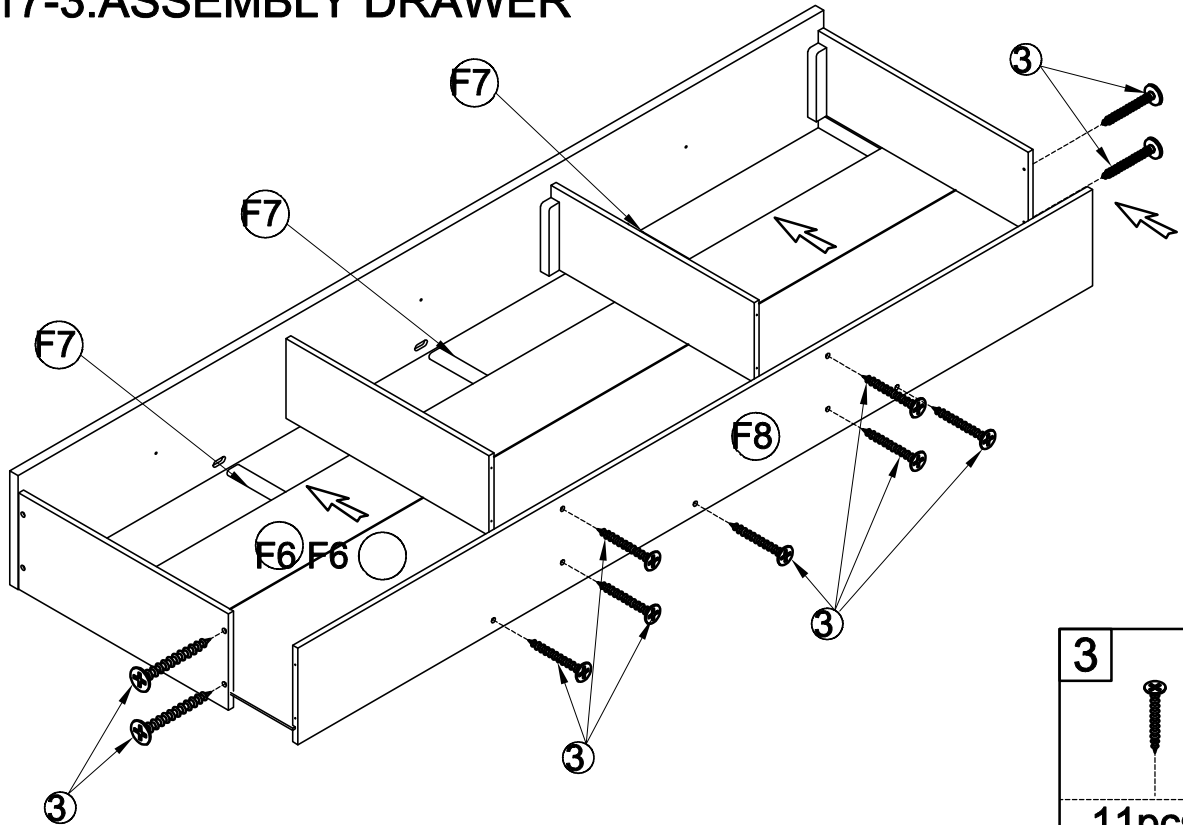
- 19  
3pcs
- 20  
3pcs


# STEP 17-2:ASSEMBLY DRAWER



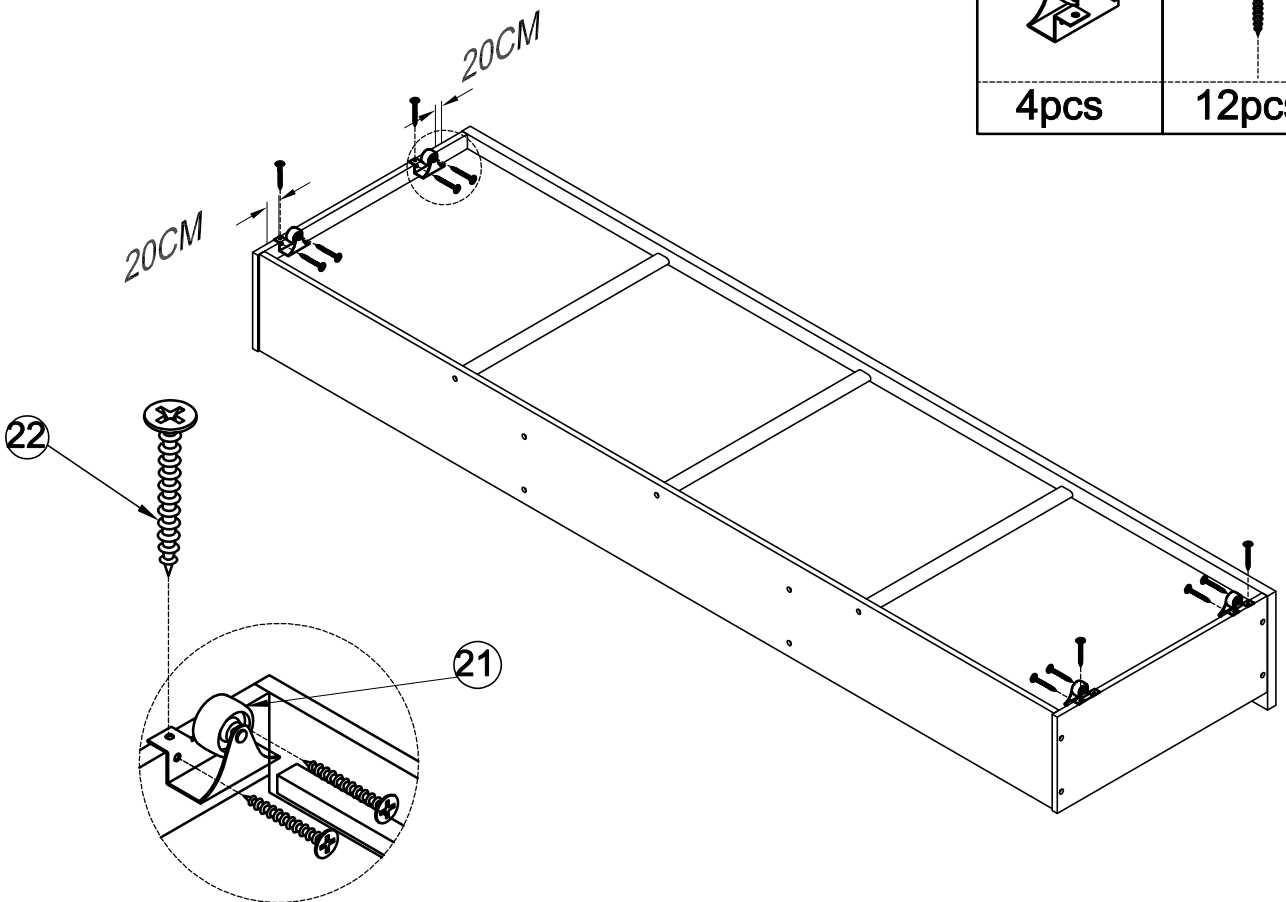
- 3  
8pcs



### STEP 17-3:ASSEMBLY DRAWER



|       |   |
|-------|---|
| 3     |  |
| 11pcs |   |

### STEP 17-4:ASSEMBLY DRAWER



|       |   |
|-------|---|
| 21    |  |
| 4pcs  |   |
| 22    |  |
| 12pcs |   |

# STEP 18

:CONGRARULATION. YOU HAVE COMPLETED THE BED. just one more step to push the Drawer into it  
position

