

# BACKLESS STOOLS

Swivel Counter Stool

Swivel Bar Stool

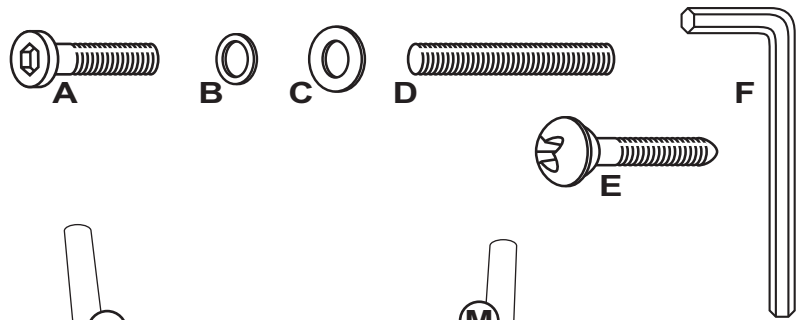
Examine all packaging material for small parts that may have come loose during shipment. Periodic checks are recommended to insure that all components are in proper position, tight and free from damage. Keep this assembly instruction for future reference. Adult assembly is required.

## HARDWARE LIST

- A (4) Allen Bolts
- B (4) Spring Washers
- C (4) Flat Washers
- D (8) Threaded Rods
- E (4) Wood Screws
- F (1) Allen Wrench

## PARTS LIST

- G (1) Seat Base
- H (1) Seat Cushion
- J (1) Stool Base
- K (4) Leg Tops
- L (1) Support Ring
- M (4) Leg Ends



### STEP 1

Begin assembly by attaching each Leg Top (K) to the bottom of the Stool Base (J) by inserting each Threaded Rod (D) into place and screwing each piece together. Tighten by hand only.

### STEP 2

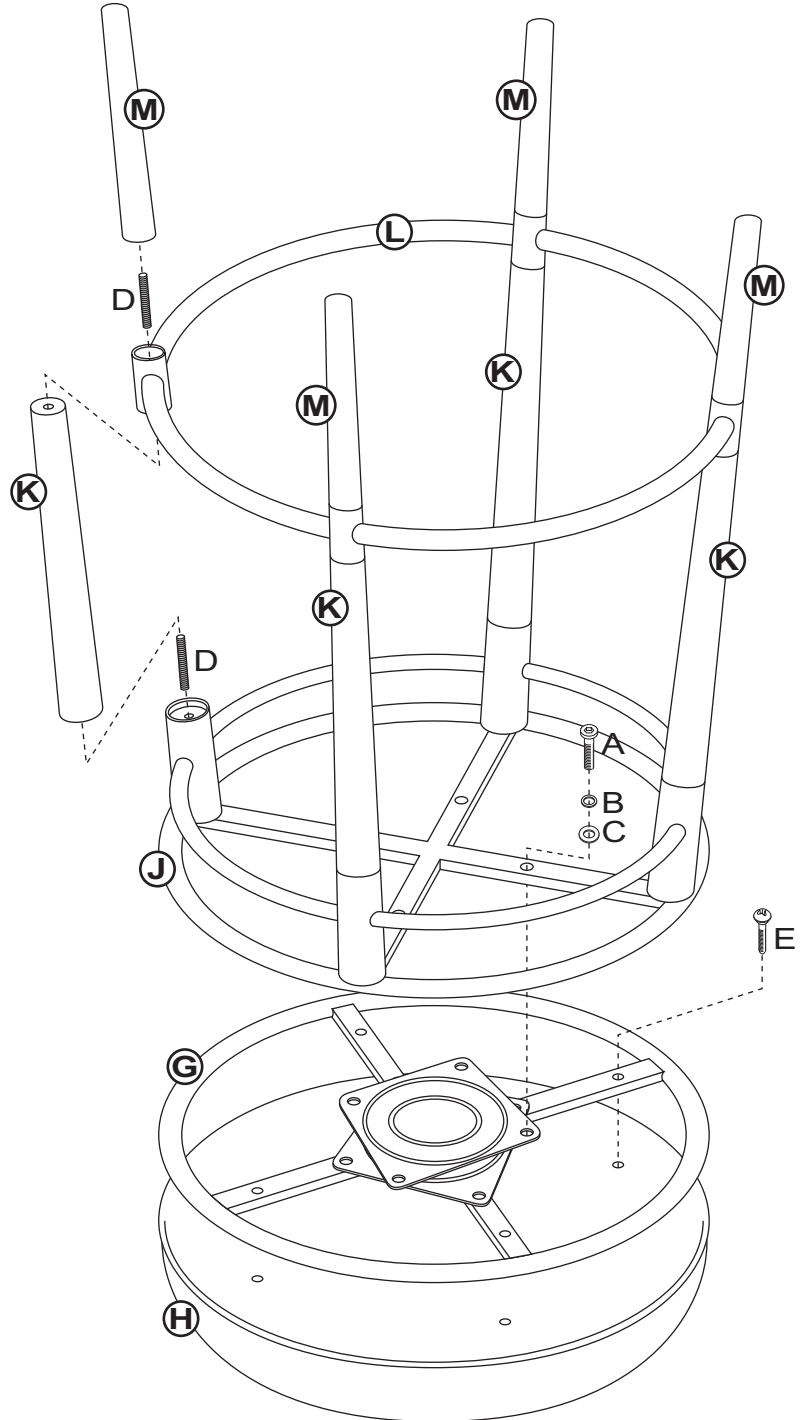
Next, attach the Support Ring (L) to the bottom of each Leg Top (K) by inserting each Threaded Rod (D) into place and screwing both the Leg Top (K) and the Leg End (M) together. Tighten by hand only.

### STEP 3

Attach the Seat Cushion (H) to the Seat Base (G) using 4 Wood Screws (E) to secure in place. Tighten all screws only using a phillips head screwdriver (not included with hardware).

### STEP 4

Finally, attach the Seat Base (G) to the Stool Base (J) by inserting 4 Allen Bolts (A), 4 Spring Washers (B) & 4 Flat Washers (C) through the crossbars and into the swivel metal plate. Tighten all bolts using the Allen Wrench (F) provided. The assembly is now complete.



**CARE & MAINTENANCE:** The touch of a soft cloth is all the maintenance the finish will ever need. Please do not use harsh or abrasive cleaners for polishing, as they may cause damage to the finish. Periodic checks are recommended to make sure that all bolts, screws and nuts are securely tightened.