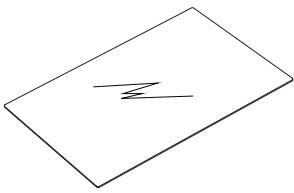
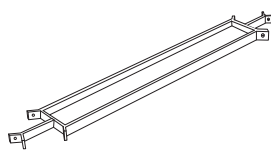

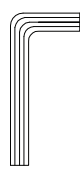
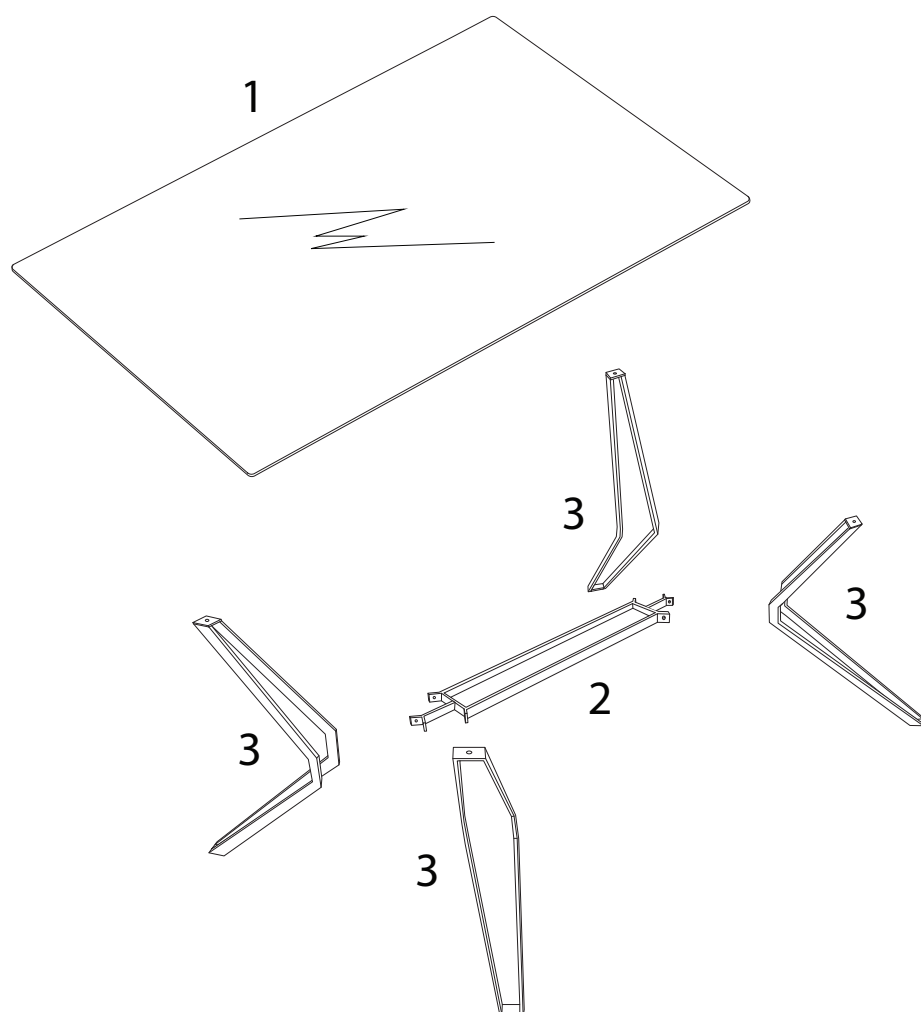

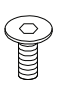
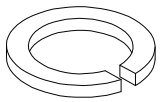
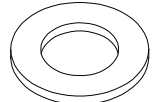


Diagram illustrating safety instructions for table assembly:

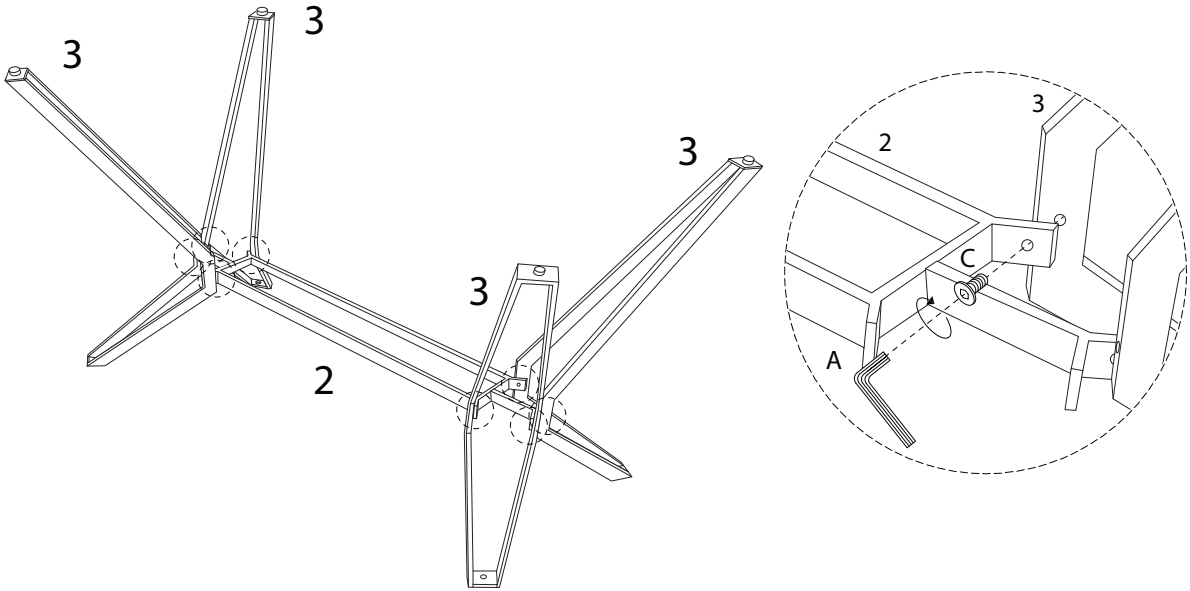
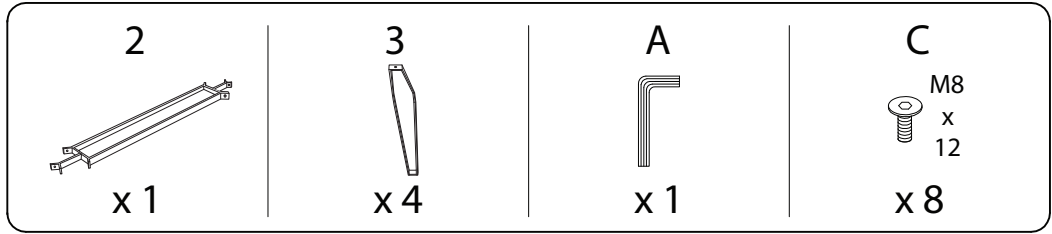
- Top Section:** Shows a corner bracket and a power drill with a slash through it, indicating that a power drill should not be used. A warning triangle with an exclamation mark is positioned to the right. Below this is a clock icon and the text "40'", indicating a 40-minute time limit.
- Bottom Section:** Shows a rectangular block being placed on a surface with a warning triangle to the right. Below this is a person icon and the number "2", indicating that two people are required for this step.

<p>1</p>  <p>x 1</p>	<p>2</p>  <p>x 1</p>	<p>3</p>  <p>x 4</p>	<p>A</p>  <p>x 1</p>
---	---	---	---



<p>B</p>  <p>M8 x 14</p> <p>x 4</p>	<p>C</p>  <p>M8 x 12</p> <p>x 8</p>	<p>D</p>  <p>x 4</p>	<p>E</p>  <p>x 4</p>
--	--	--	---

1



2

