



**7-DRAWER STORAGE CHEST**

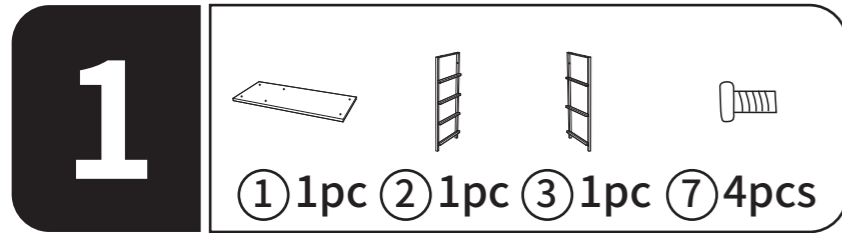


**Attention:** For safety and stability, we suggest you have to secure the anti-tip accessories to the wall to prevent tipping, injury, and property damage.

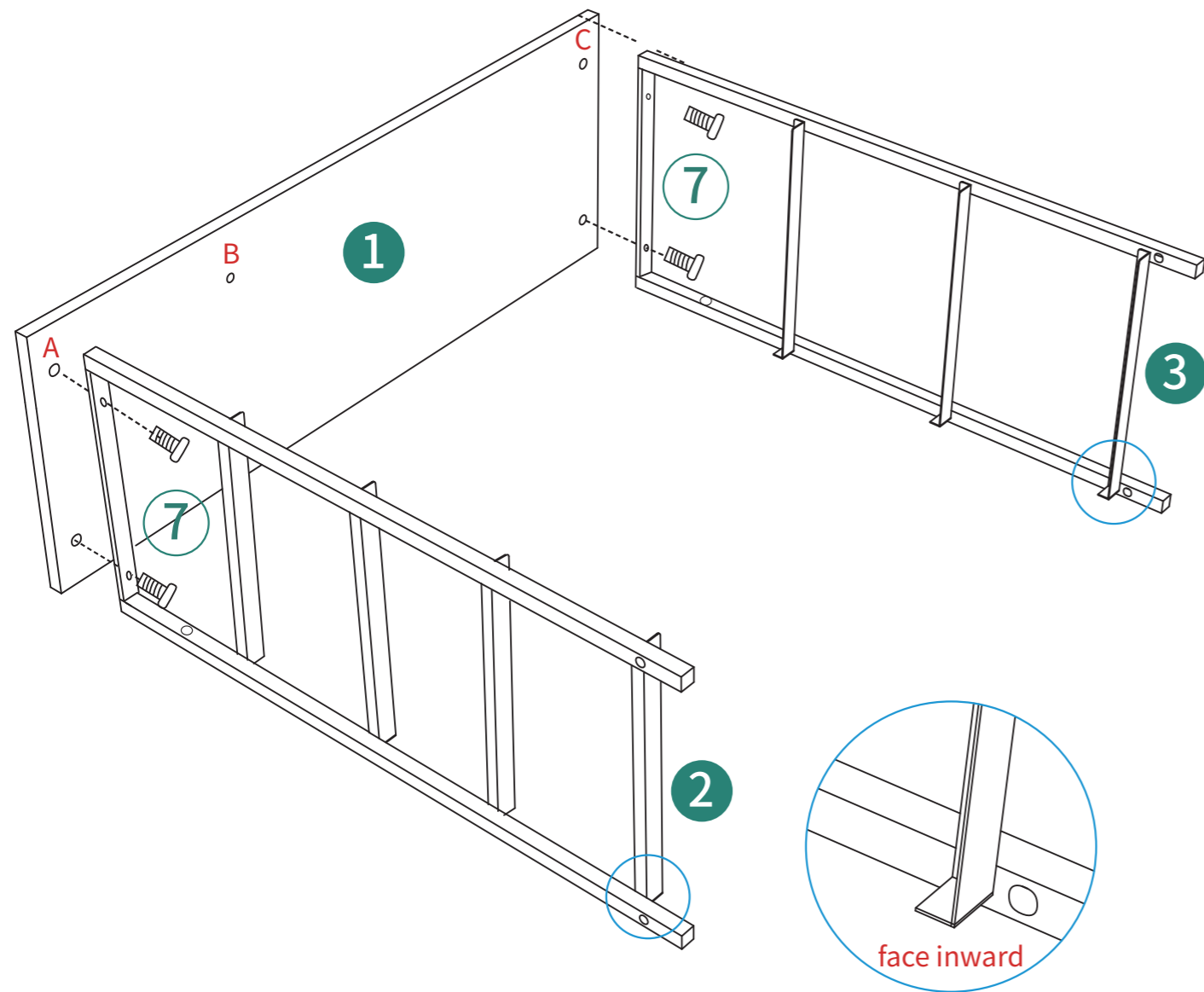
1. Periodically check that all components are tightly secured.
2. Assemble on a flat, clean, and soft surface.
3. Confirm all parts are present prior to assembly.
4. Prepare electric tools in advance for a quicker installation.

Item no.	Reference Image	Qty.
1		X1
2		X1
3		X1
4		X1

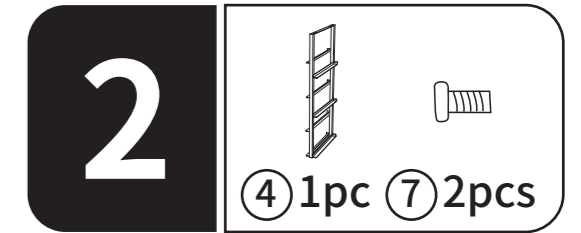
Item no.	Reference Image	Qty.
5		X2
6		X4
7		M6X10mm X6
8		M6X25mm X6
9		X1
10		X3
11		X3
12		X4
13		X4
14		X2
15		M4X60mm X2



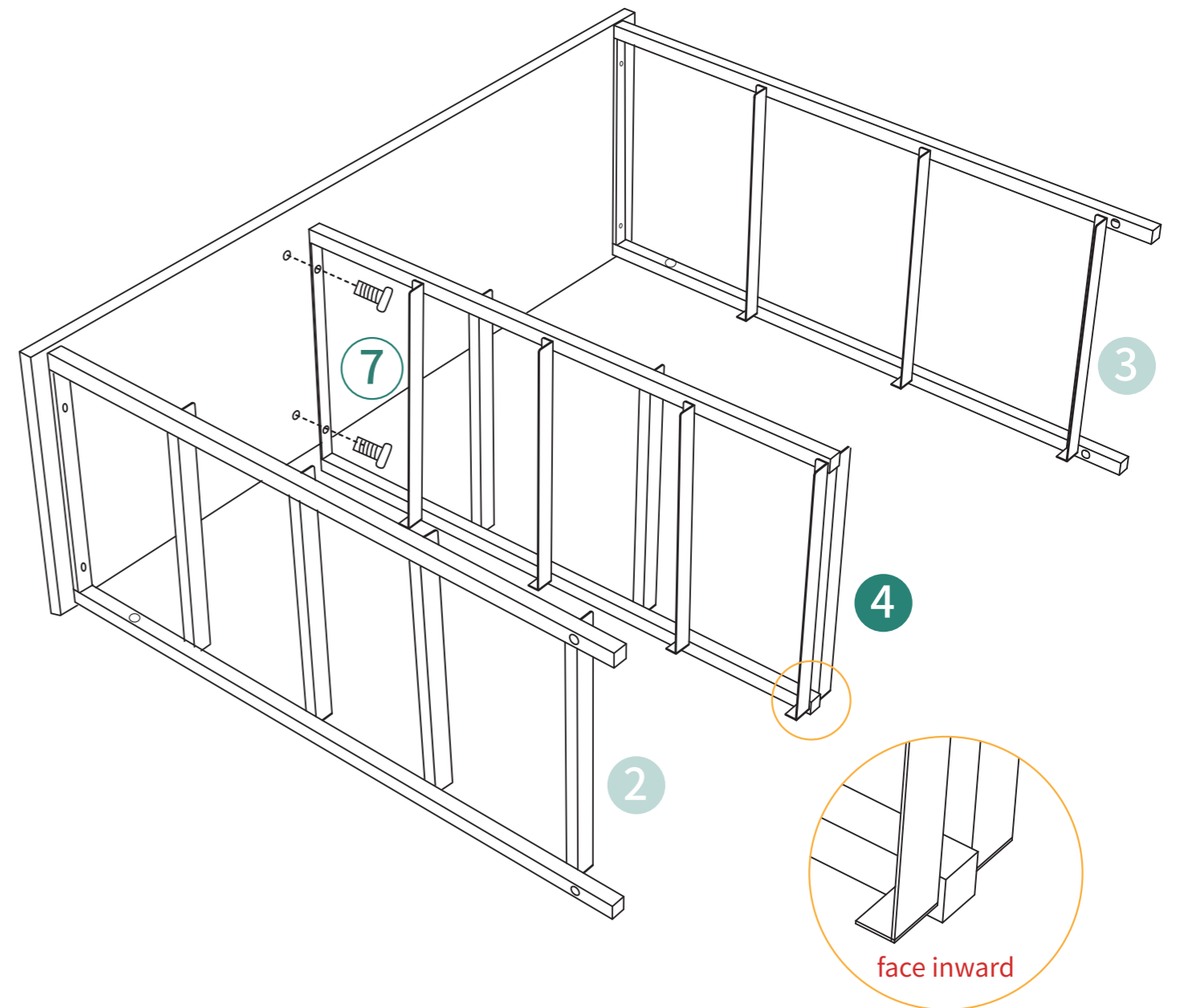
Part 1 has three installation positions (A, B, C) as shown in the picture. The distance between A and B is closer than that of B and C. Part 2 should be installed to position A, and part 3 to position C.



Note: Make sure that all sides of parts 2 and 3 containing baffles on slide rails are installed in the same direction. They should uniformly face inward to accommodate drawers.

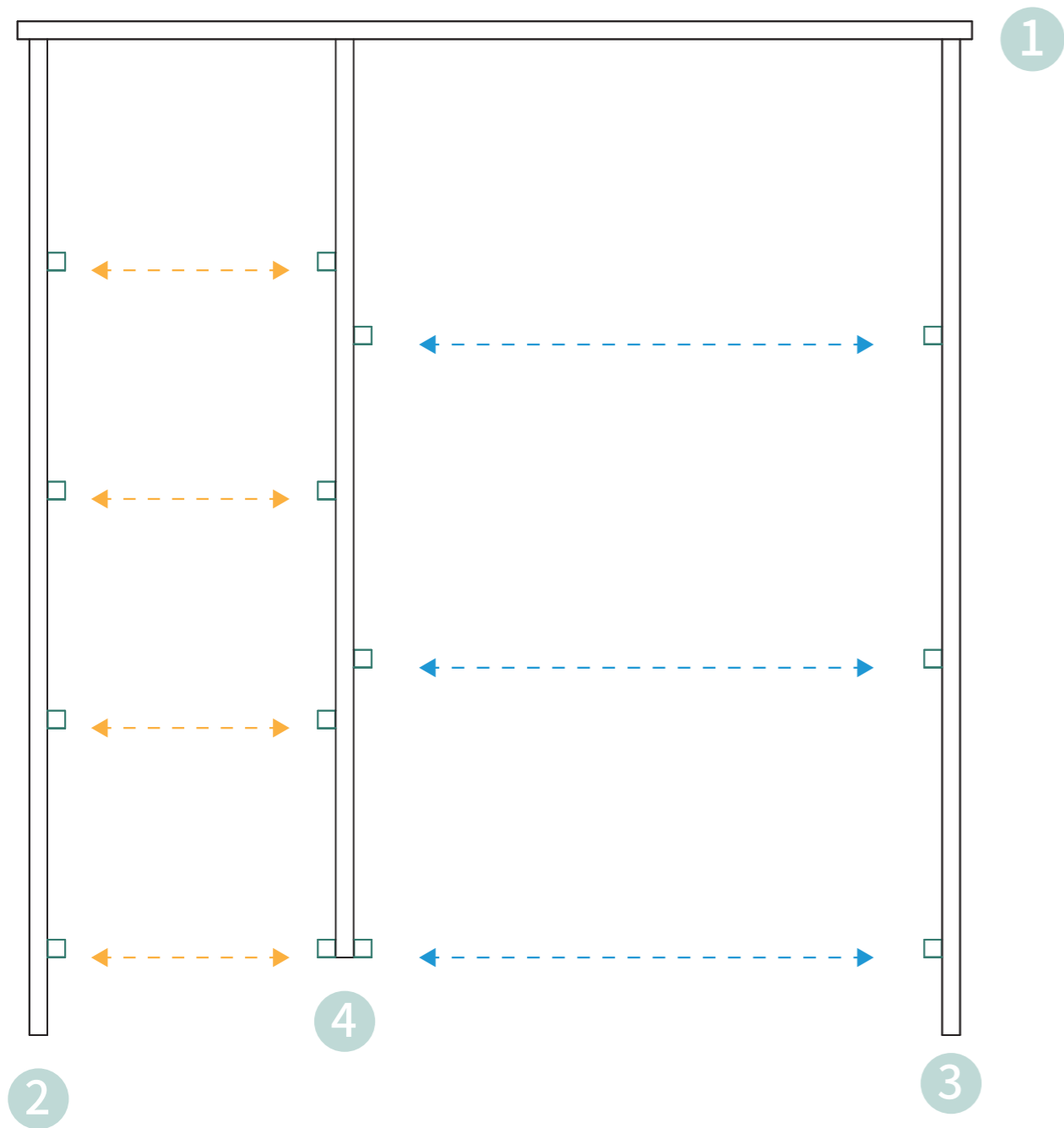


The side of part 4 with baffles on slide rails should be installed in the same direction (also facing inward) as that of parts 2 and 3.



# 3 INSPECTION

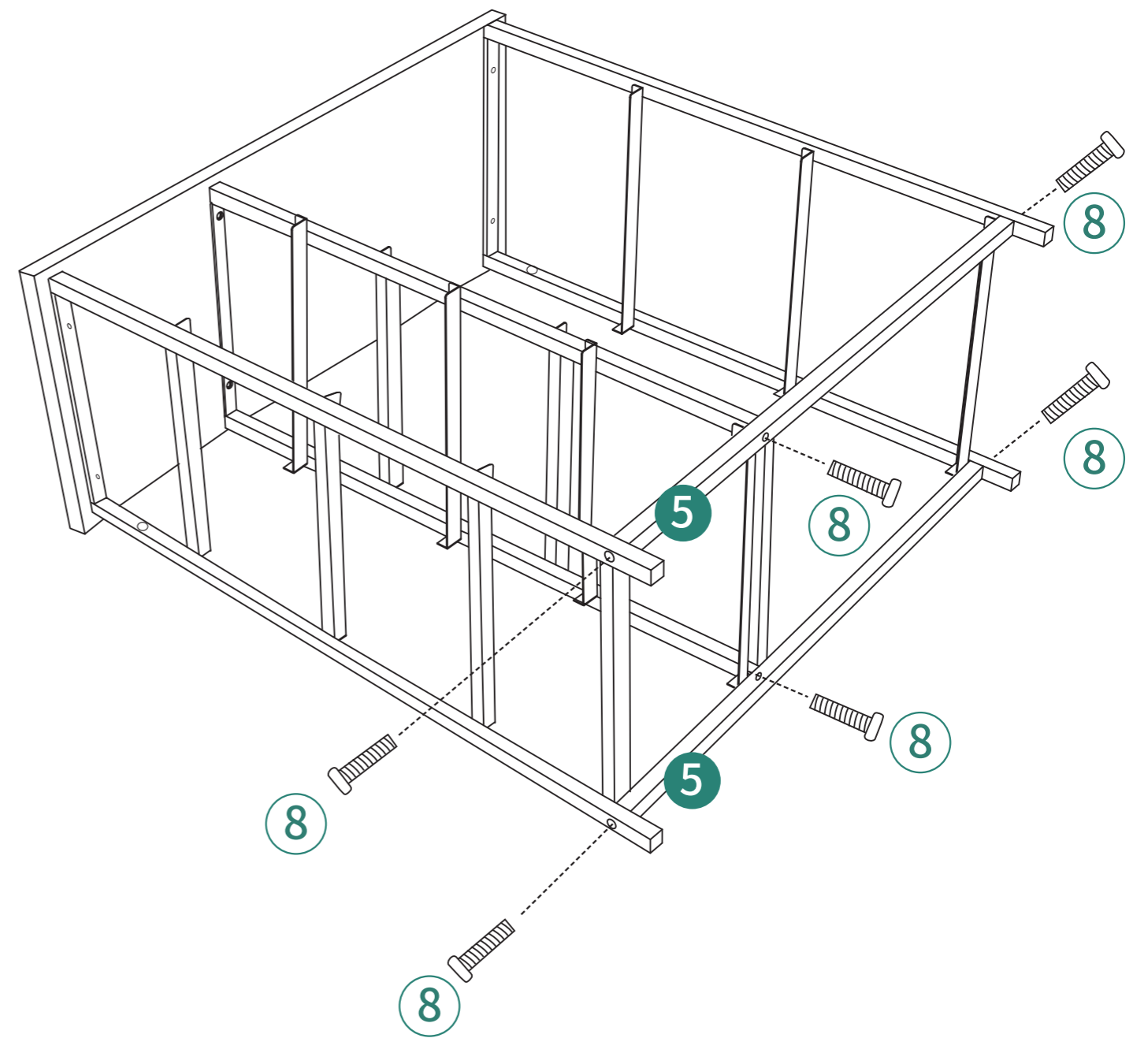
After steps 1 and 2 are successfully completed, the product should be like the figure shown below. Inspect and confirm that installation is correct before proceeding to step 4.



5

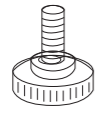
# 4

⑤ 2pcs ⑧ 6pcs

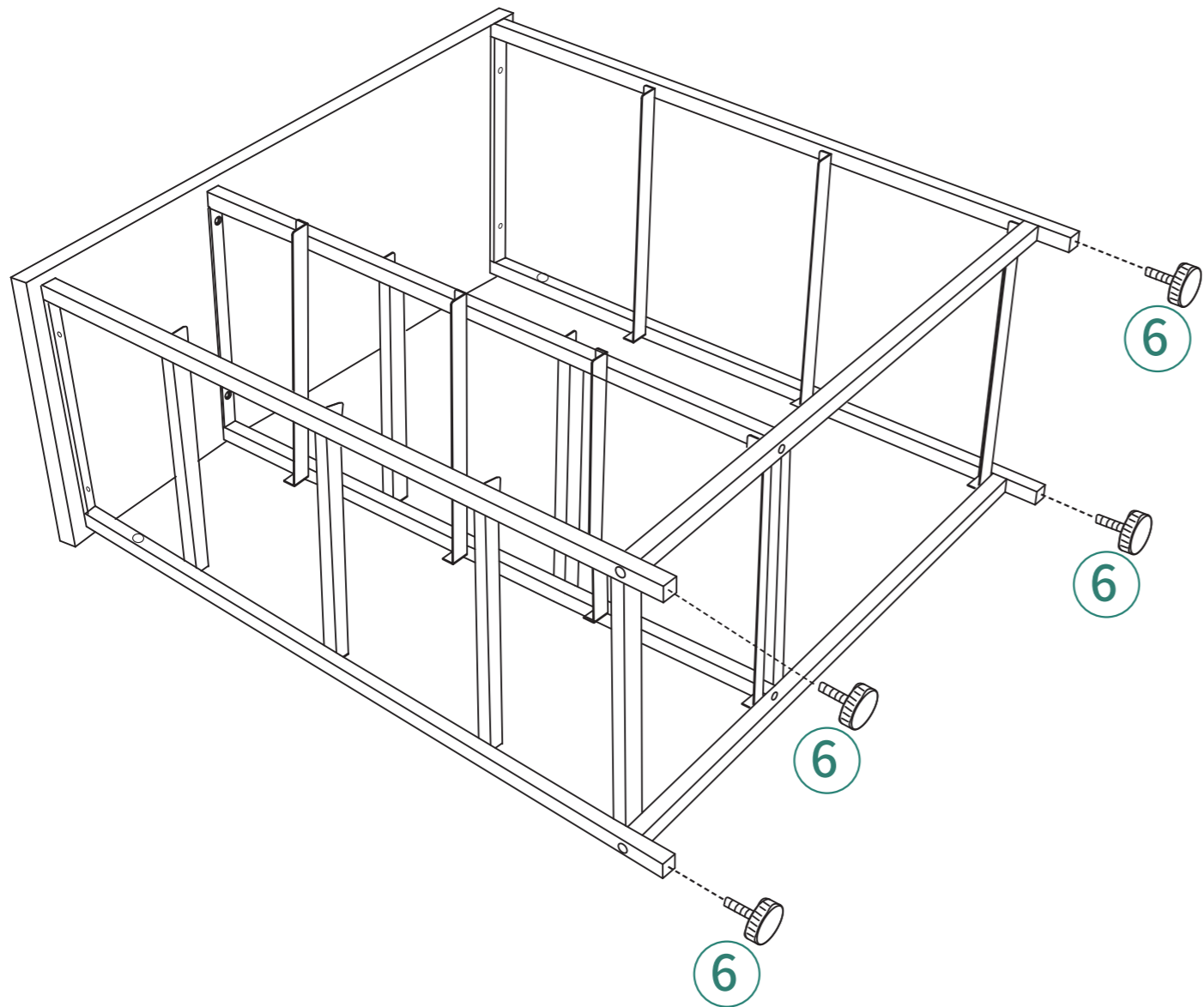


6

**5**



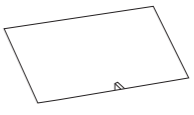
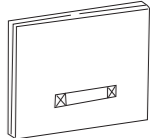
⑥ 4pcs



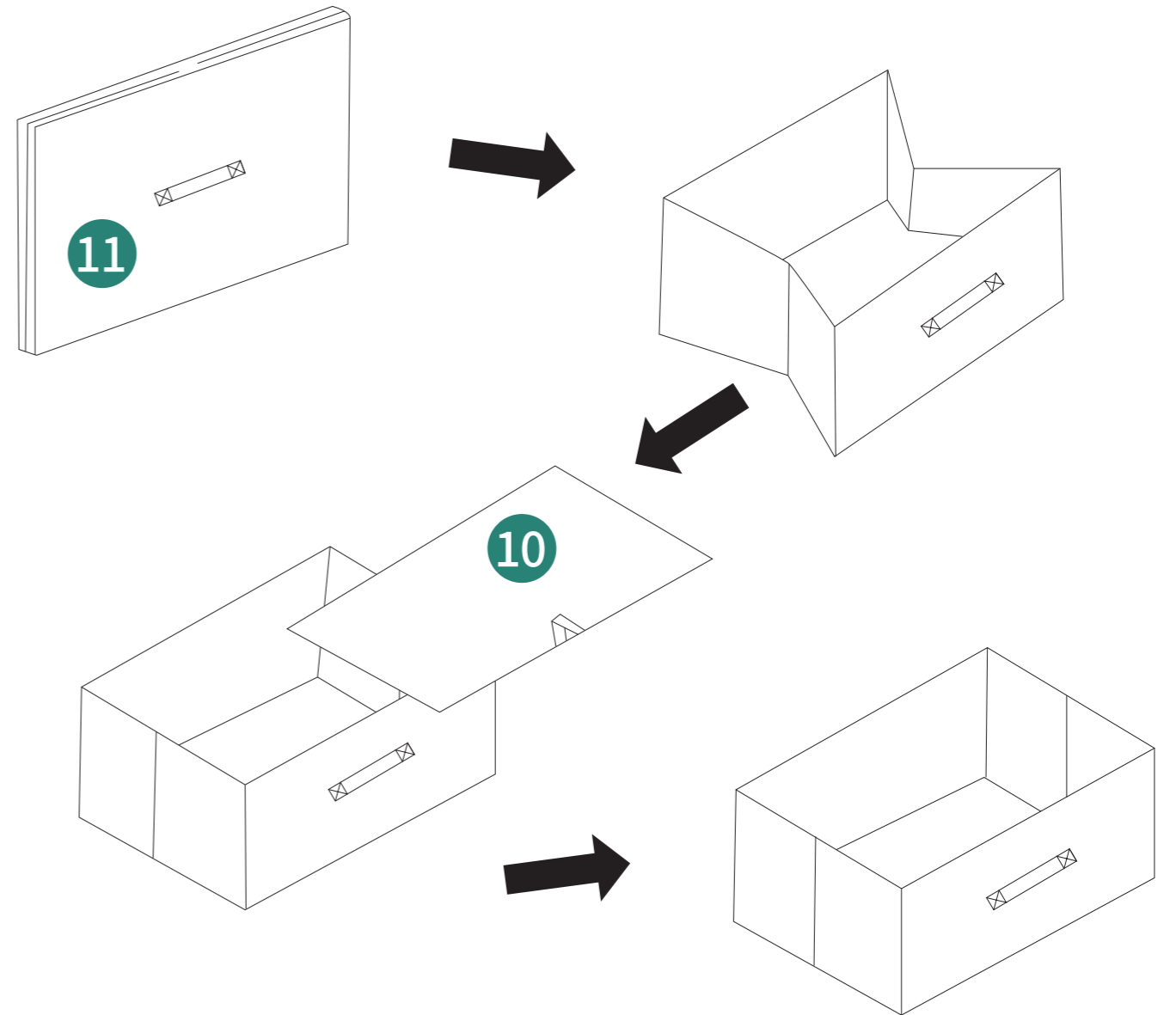
7

**6**

**X3**

⑩ 3pcs    ⑪ 3pcs



8

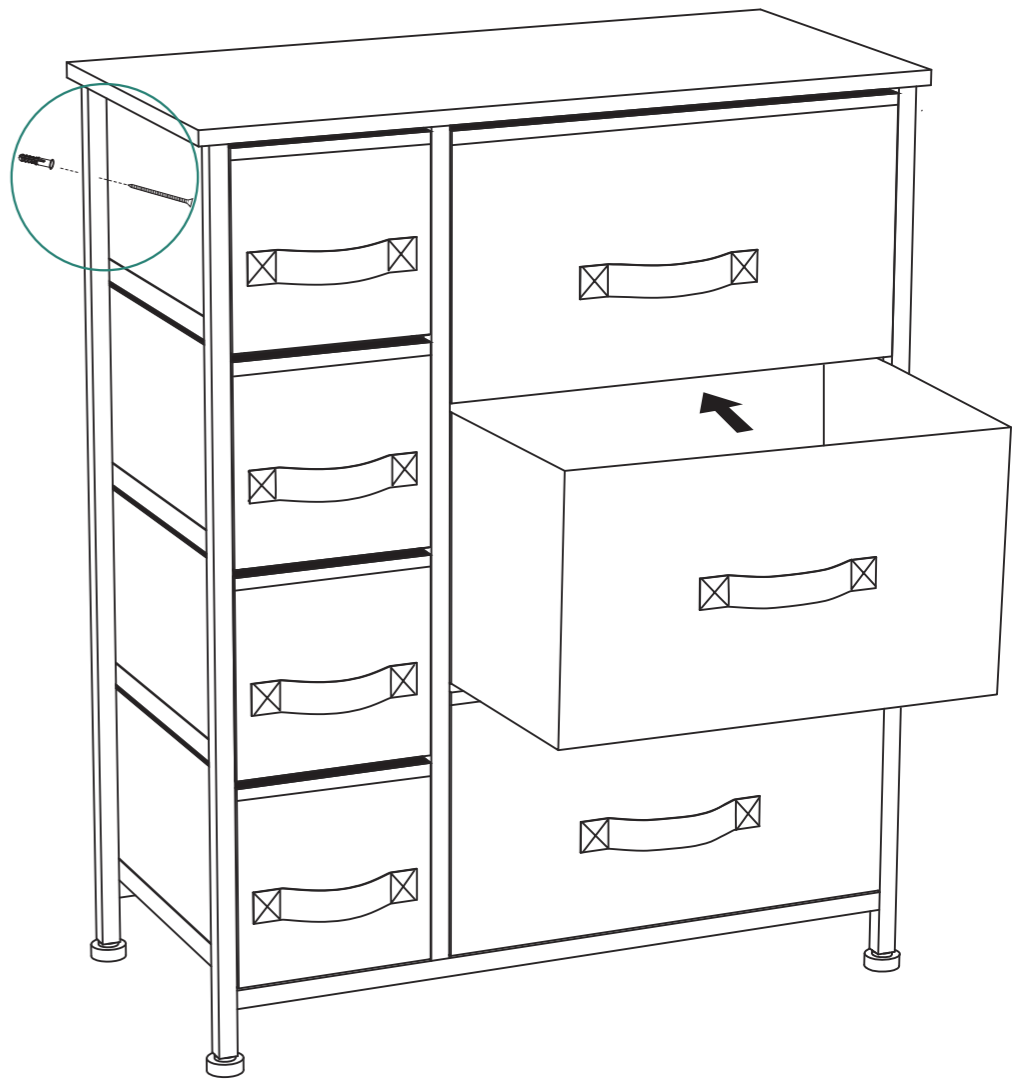
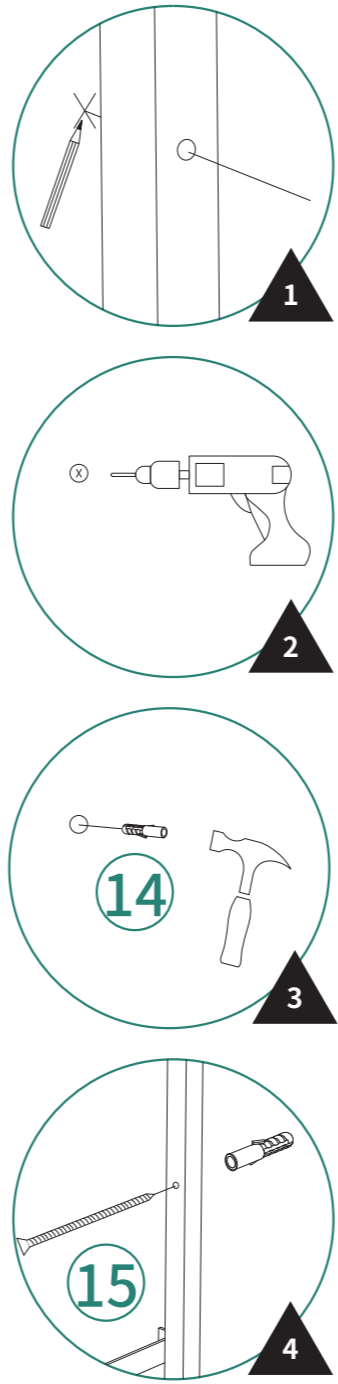
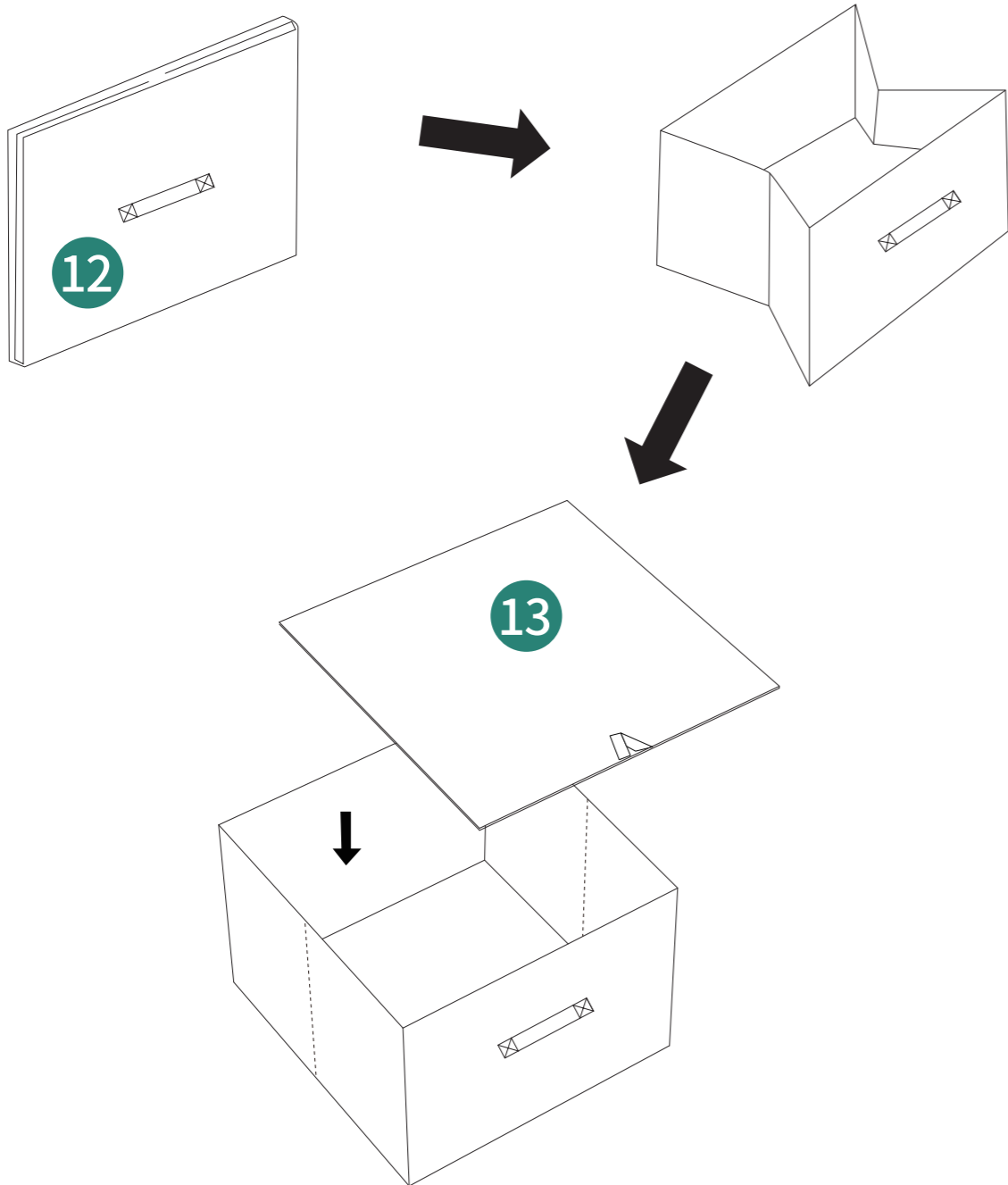
**7**  
**X4**

⑫4pcs ⑬4pcs

**8**

⑭2pcs ⑮2pcs

**Attention:** For safety and stability, we suggest you have to secure the anti-tip accessories to the wall to prevent tipping, injury, and property damage.



**Complete Installation**