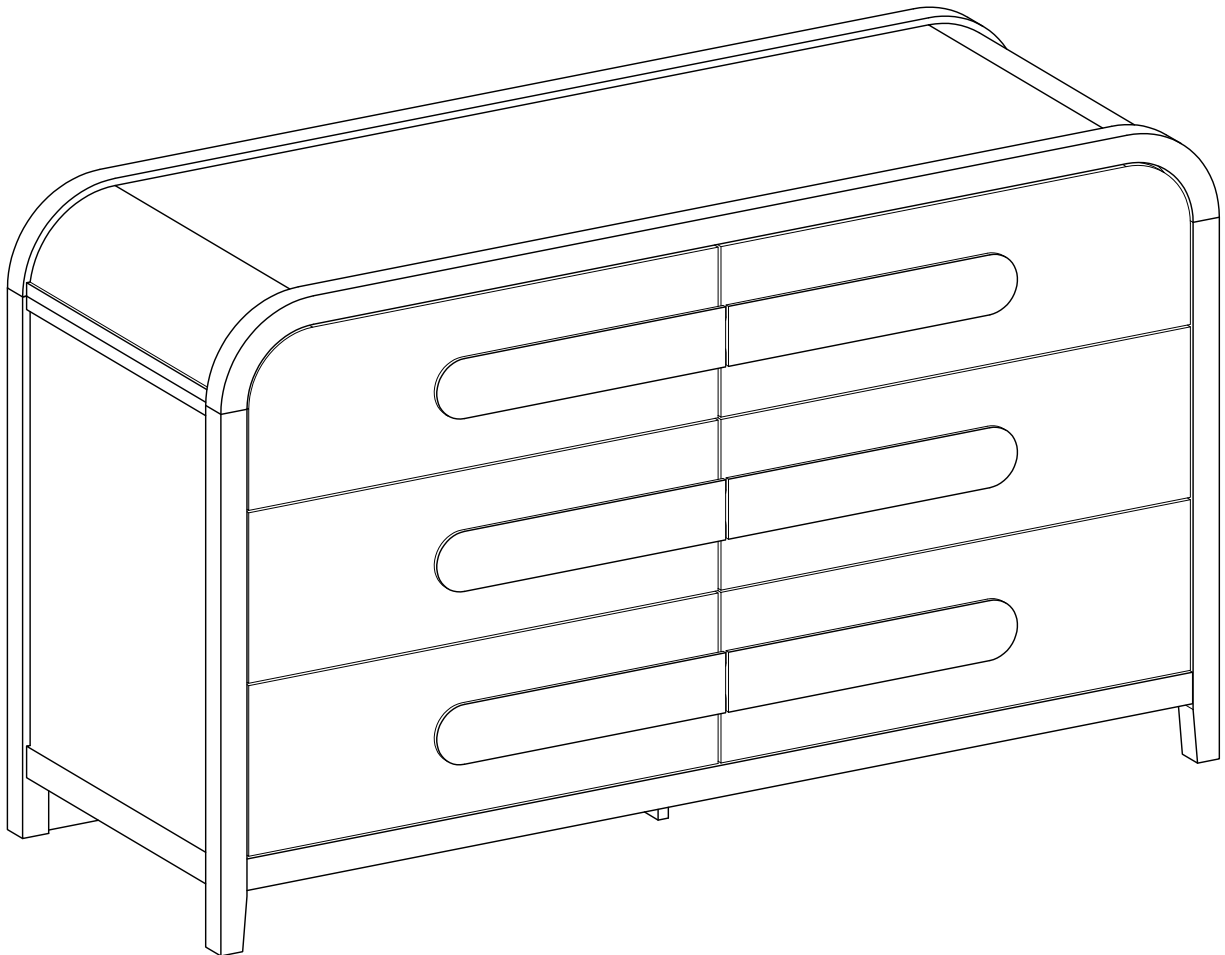


**WALKER EDISON**  
TM

## Chantelle 6-Drawer Dresser

SKU# WECHA026D4



**For Residential Use Only**

Please visit our website for the most current instructions, assembly tips, report damage, or request parts. [www.walker-edison.com](http://www.walker-edison.com)

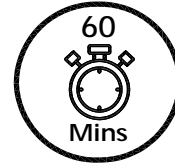


# Time to get started

Set up a clean and soft workplace to get started and avoid damage during the assembly. It also helps to double-check that you've got all the pieces and parts before diving in to assembly.

---

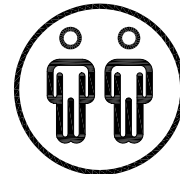
## Estimated time for assembly



---

## People recommended for assembly

Make it a team effort! Grab a friend for quicker, easier assembly.

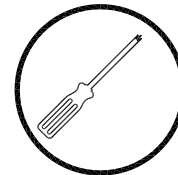


2 People Build

---

## Tools Needed

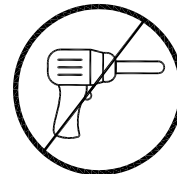
Grab a Phillips head screwdriver to conquer this assembly



---

## Use power tools with caution

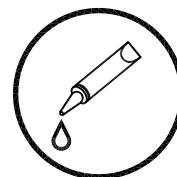
You can cause cracking or damage to the material and easily strip the hardware. If you choose to use a power tool, your product will no longer be covered under Walker Edison's warranty.



---

## Glue is provided to secure wood dowels in place

When inserting dowels, locate the appropriate hole, place a small amount of glue in the hole, and then insert the dowel. Wipe away excess glue immediately.

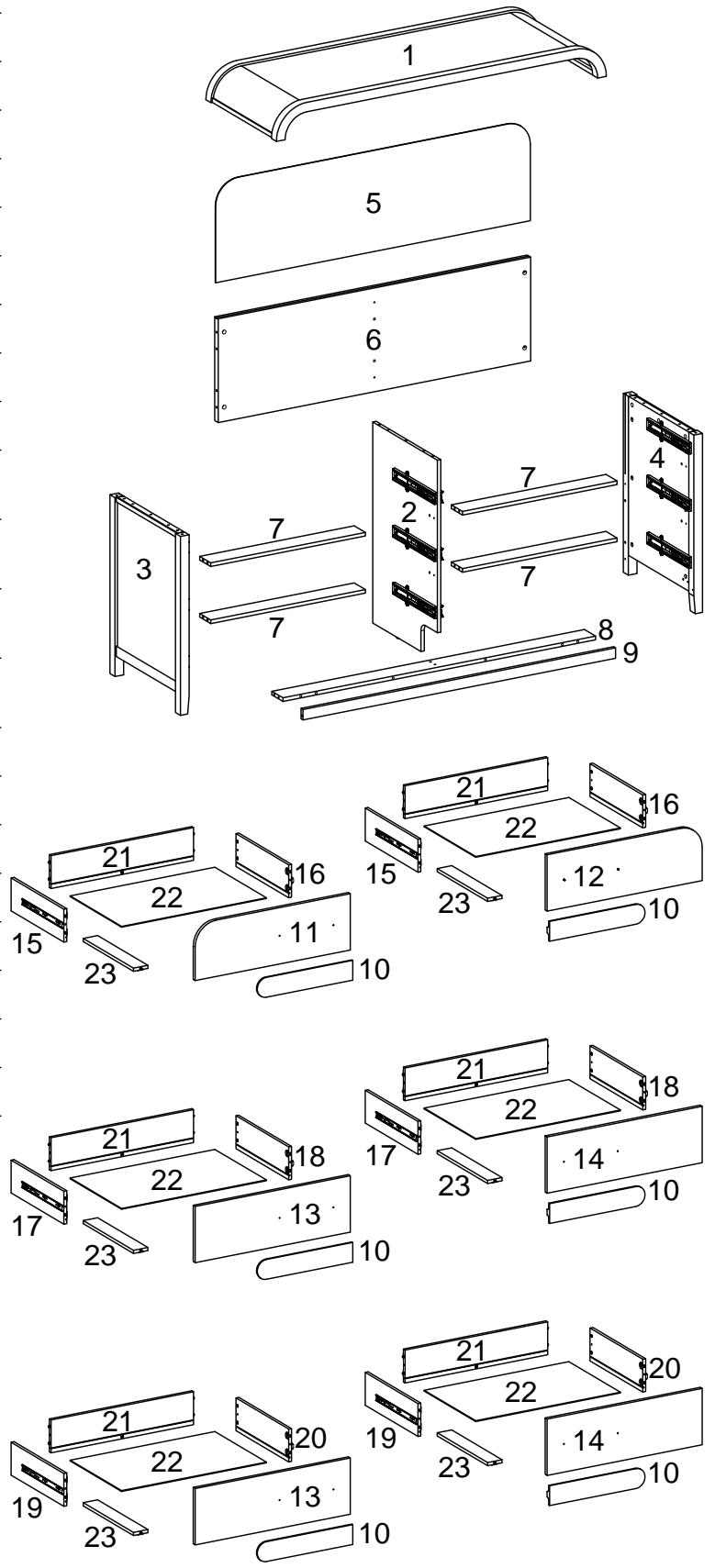


Chantelle



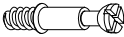


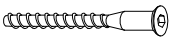

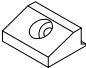


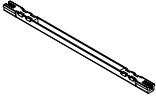


**Scan to get assembly tips and help!**

# WE Parts List


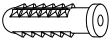

Part Number	Description	Quantity
1	Top Panel	1
2	Divider Panel	1
3	Left Panel	1
4	Right Panel	1
5	Upper Back Panel	1
6	Lower Back Panel	1
7	Middle Rail	4
8	Lower Rail	1
9	Front Rail	1
10	Wooden Handle	6
11	Upper Left Front Drawer Panel	1
12	Upper Right Front Drawer Panel	1
13	Lower Left Front Drawer Panel	2
14	Lower Right Front Drawer Panel	2
15	Upper Left Drawer Panel	2
16	Upper Right Drawer Panel	2
17	Middle Left Drawer Panel	2
18	Middle Right Drawer Panel	2
19	Lower Left Drawer Panel	2
20	Lower Right Drawer Panel	2
21	Back Drawer Panel	6
22	Bottom Drawer Panel	6
23	Drawer Support Panel	6



# WE Hardware List

Part	Size	Name	Quantity
A	 8x30mm	Wooden dowel	29
B	 6x30mm	Wooden dowel	24
C	 6x35mm	Cam Bolt	31
D	 15x11mm	Cam Lock	31
E	 30mm	Sticker	43
F	 6x50mm	Bolt	1
G	 M4	Hex key	1
H	 16x16.5x10.5mm	Plastic Wedge	8
J	 3x17mm	Screw	8
K	 4x21mm	Bolt	12
L	 164x7x6mm	Link Lock Bar	4
M	 4x25mm	Screw	2
N	 4x12mm	Screw	2

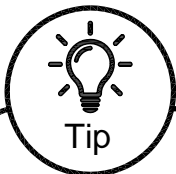
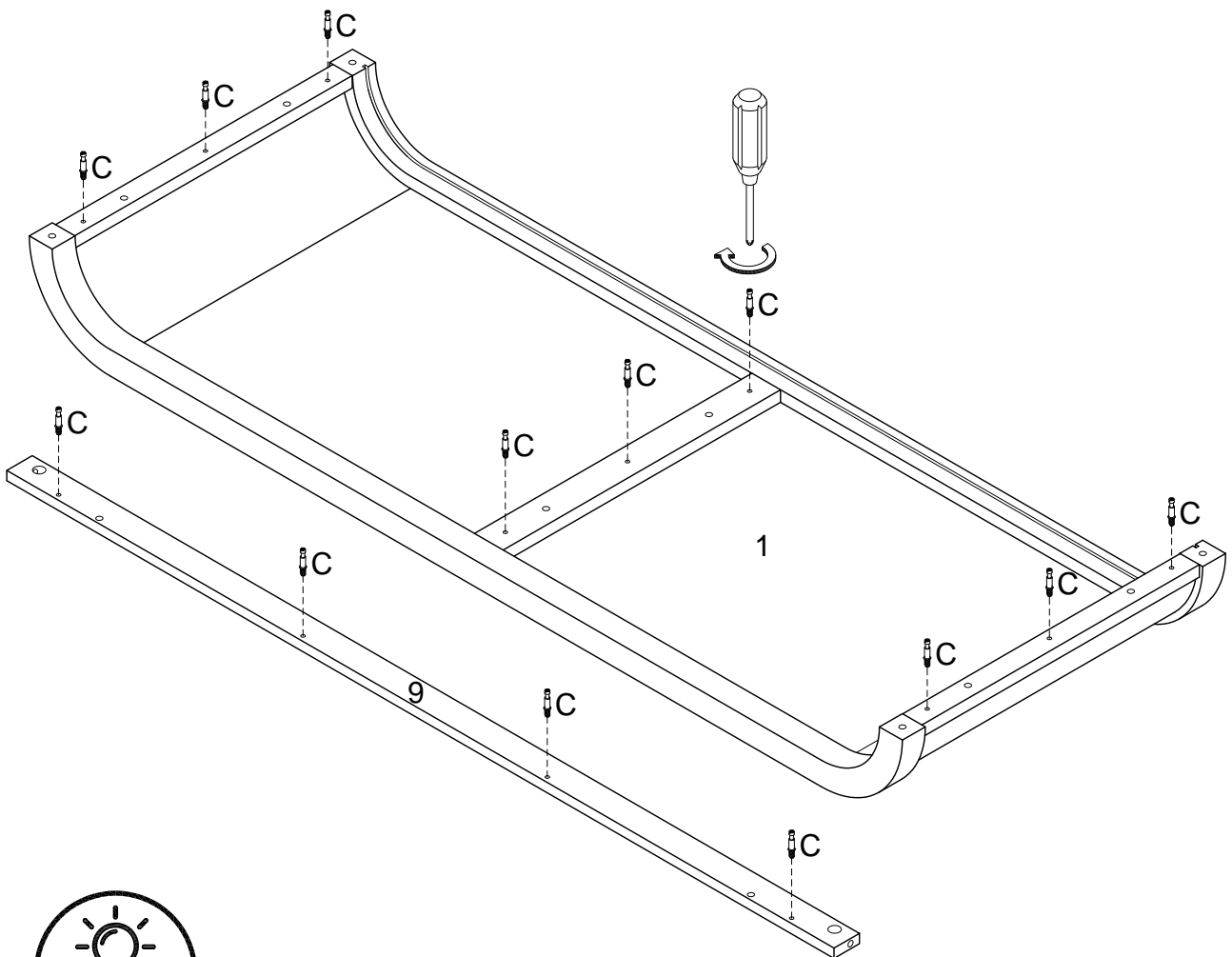
# WE Hardware List

	Part	Size	Name	Quantity
P		25x150mm	Plastic strap	2
Q		8*30mm	Anchor	2
R		10g	Glue Tube	2

The hardware quantities listed above are required for proper assembly.  
Extra hardware pieces may be included.

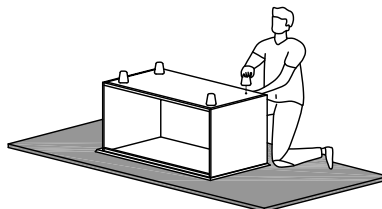
# Step 1

Let's get started! Using a Phillips head screwdriver, screw cam bolts (C) into the Top Panel (1) and the Front Rail (9)



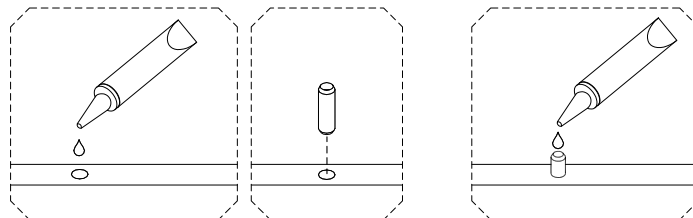
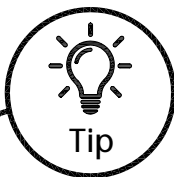
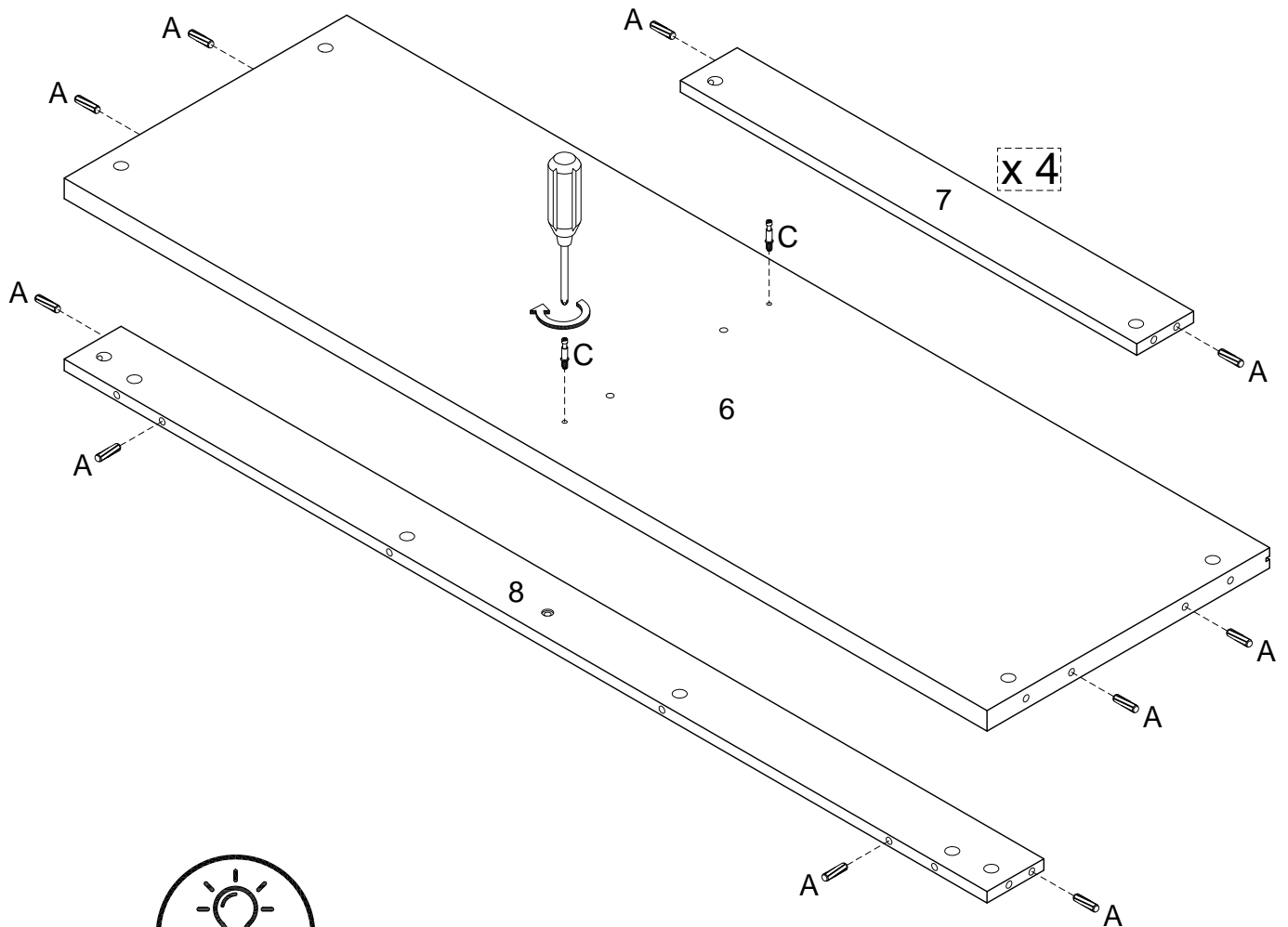
Tip

To keep your product looking its best and scratch-free, try assembling it on a soft surface like carpet or a blanket. This helps prevent any accidental scratches and keeps your furniture in top shape!



# Step 2

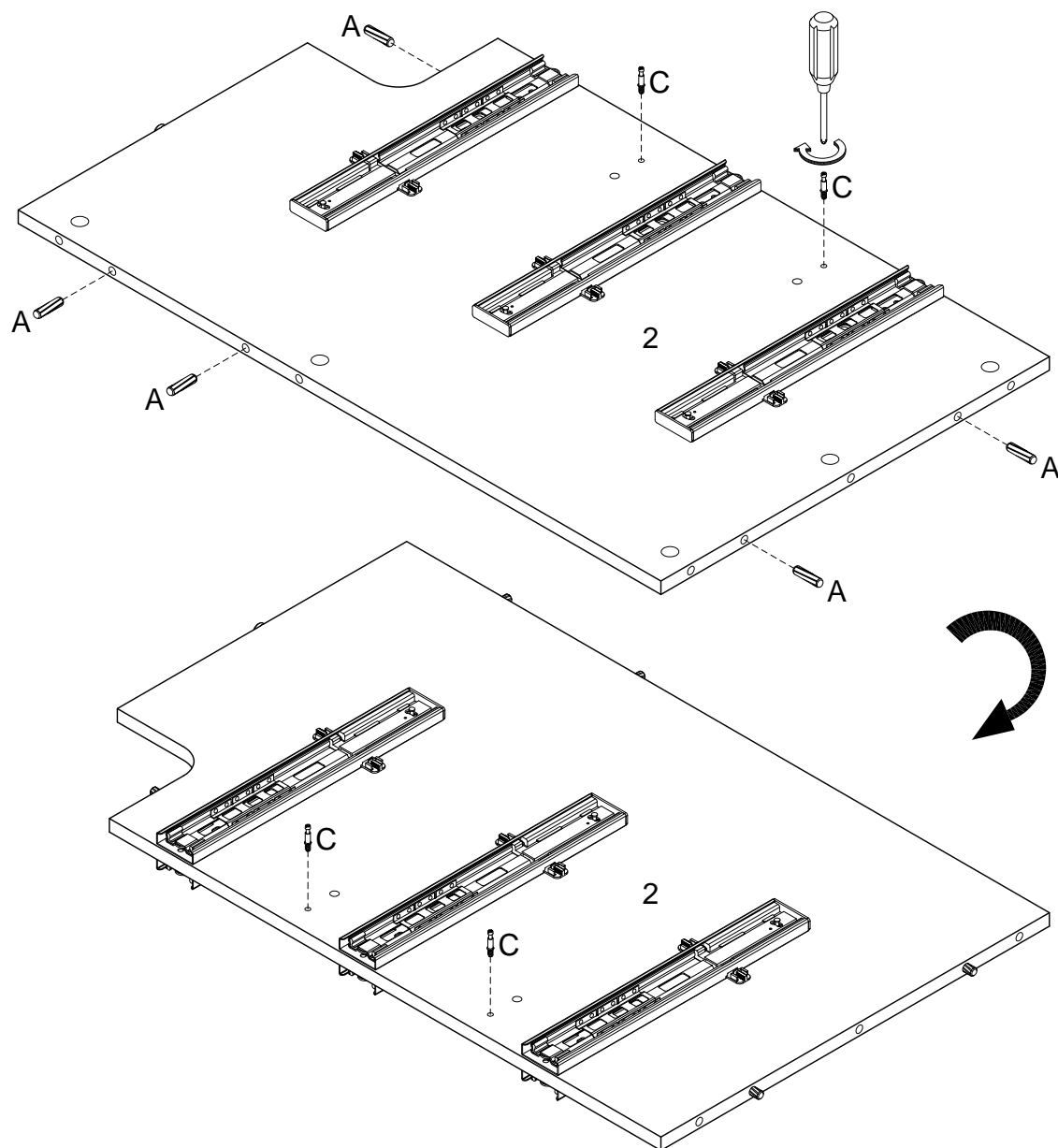
Insert wooden dowels (A) into the Lower Rail (8), Lower Back Panel (6), and all four Middle Rails (7). Then, screw cam bolts (C) into the Lower Back Panel (6)



- 1: The provided glue is to secure wood dowels in place. When first inserting dowels, locate the appropriate hole for the dowel, place a small amount of glue in the hole and insert the dowel. Wipe away excess glue immediately.
- 2: In future assembly steps when dowels are necessary to attach assembly parts together, place a small amount of glue on the end of the dowel before attaching parts together. Wipe away excess glue immediately.

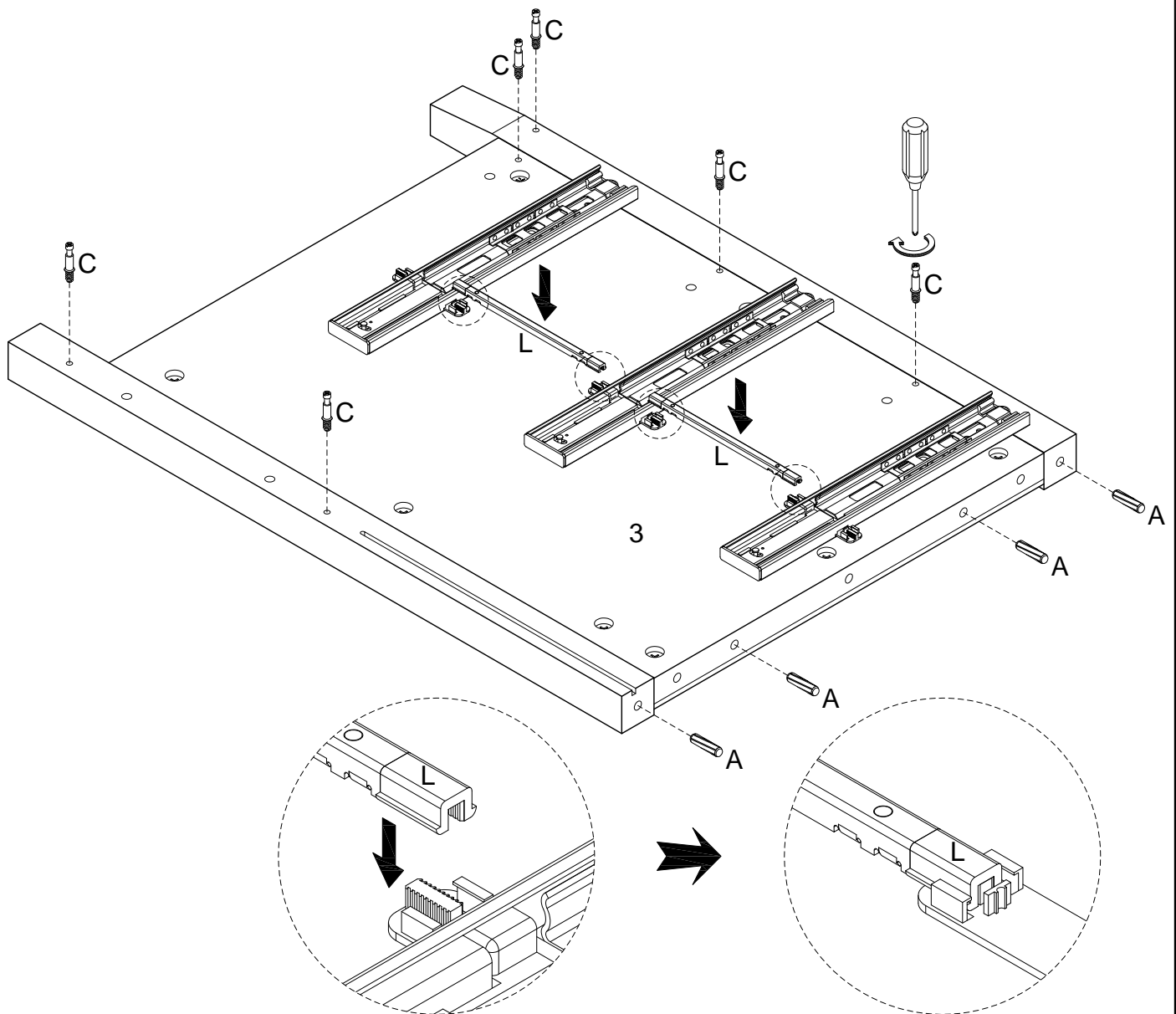
# Step 3

Insert wooden dowels (A) into the Divider Panel (2). Then, screw in cam bolts (C) into both sides of the Divider Panel (2)



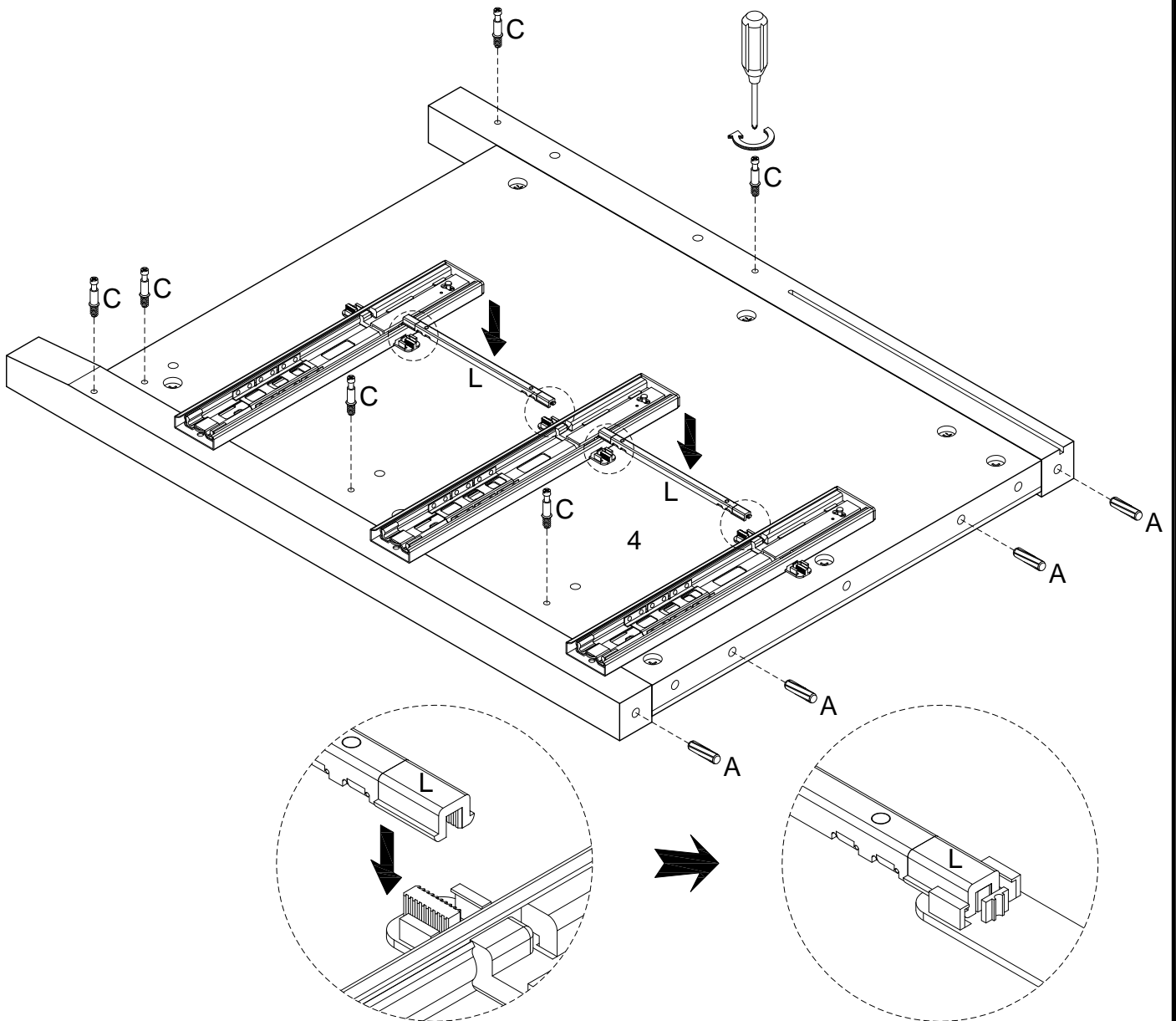
# Step 4

Attach two Link Lock Bars (L) to the drawer glides on the Left Panel (3). Then, screw in cam bolts (C) and insert wooden dowels (A)



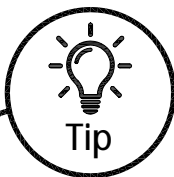
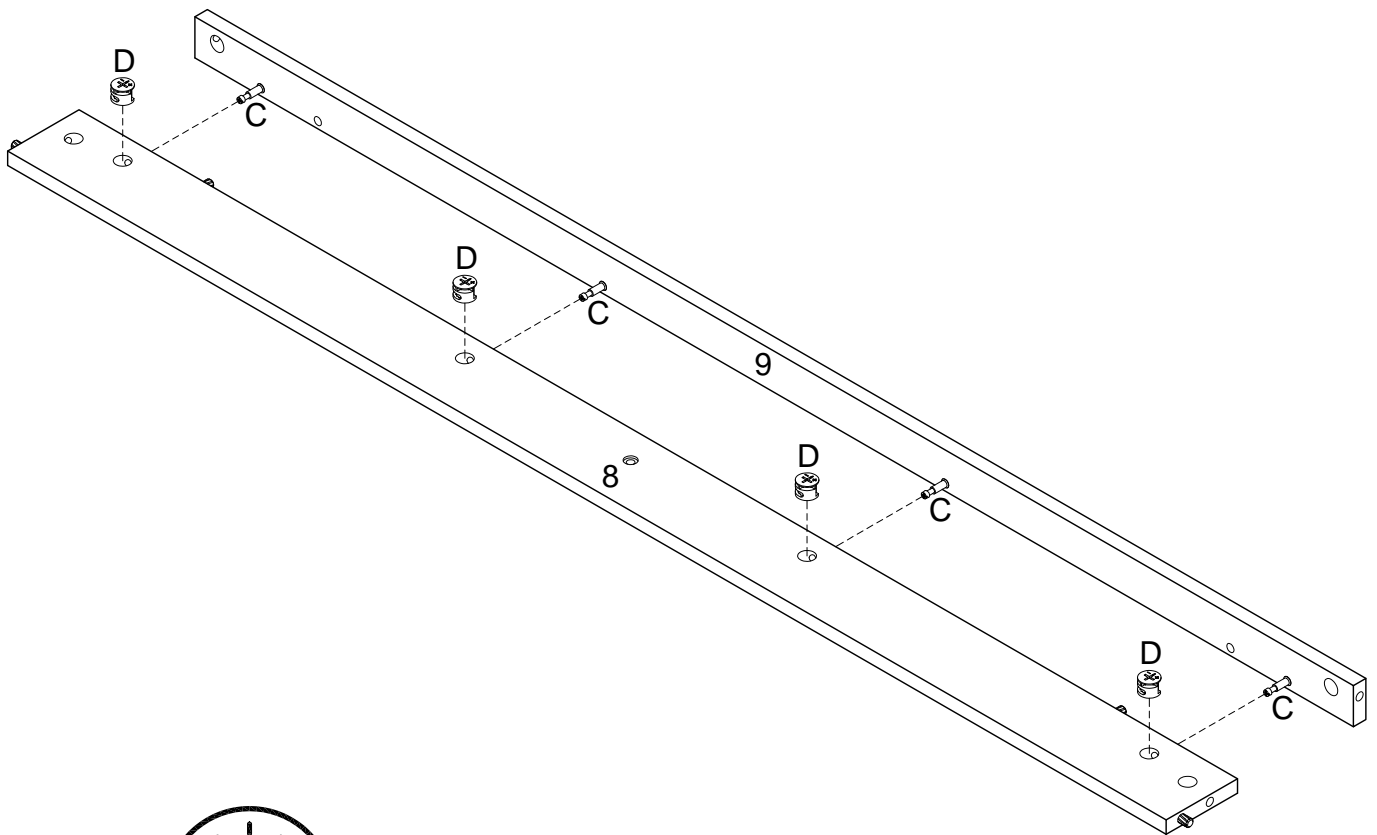
# Step 5

Attach two Link Lock Bars (L) to the drawer glides on the Right Panel (4). Then, screw in cam bolts (C) and insert wooden dowels (A)



# Step 6

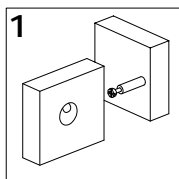
Connect the Front Rail (9) to the Lower Rail (8) via the cam bolts (C). Insert cam locks (D) and tighten with a screwdriver



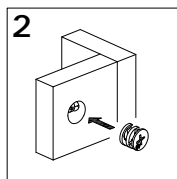
Tip

## Cam Locks

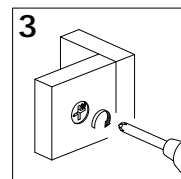
Cam Locks help securely join two pieces together.  
Follow these easy steps.



1: Insert Cam Bolt into bolt holes on the flat side. Don't over tighten!



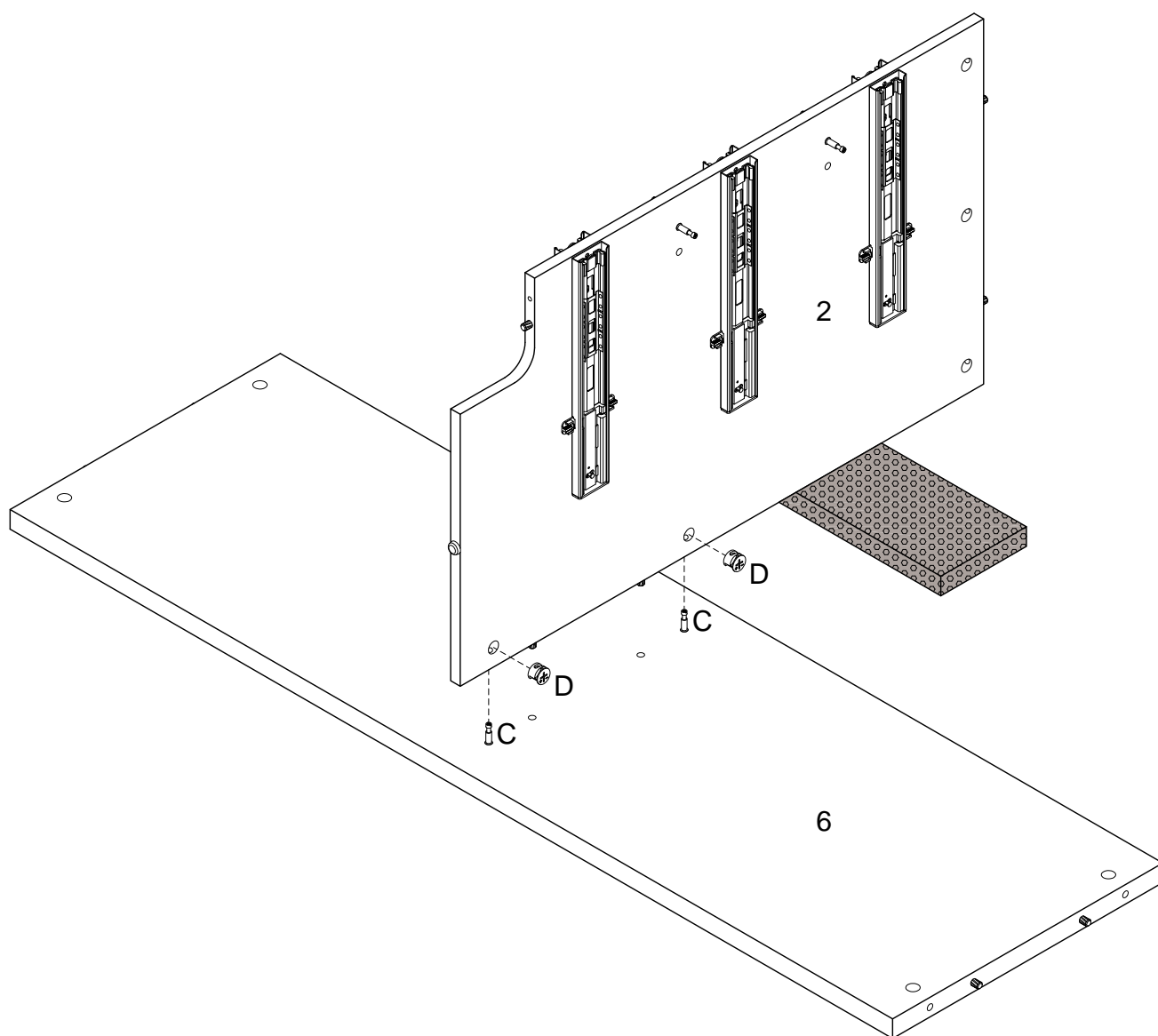
2: Fit the proper holes on the edge of the other part over the Cam Bolts. You should be able to see the cam bolts through the larger hole on the side.



3: On the back of the Cam Lock will be a "C" shape. Insert the Cam Lock so the opening of the "C" fits over the Cam Bolt. Tighten with the screwdriver.

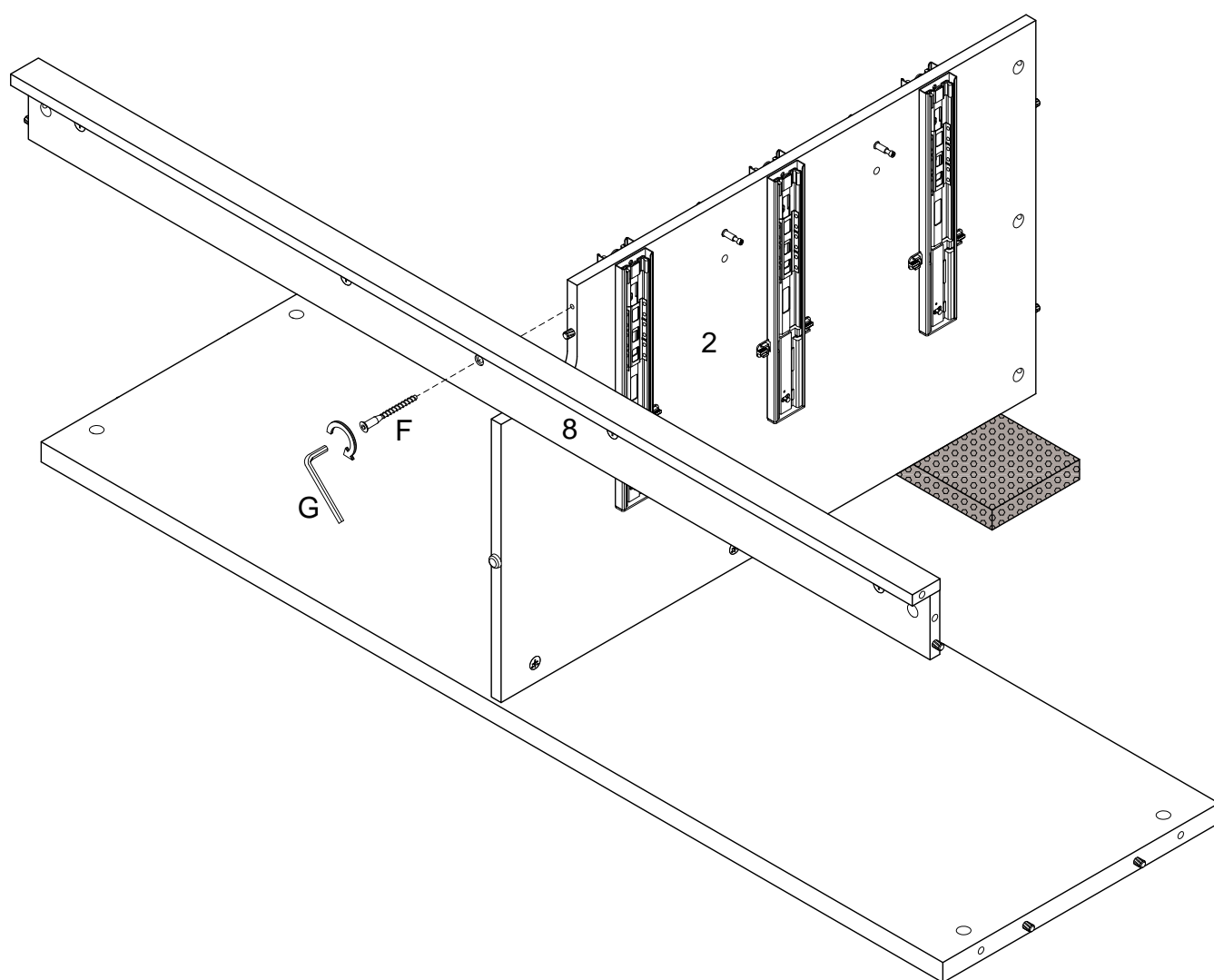
# Step 7

Attach the Divider Panel (2) to the Lower Back Panel (6) via the cam bolts (C). Insert cam locks (D) and tighten with a screwdriver



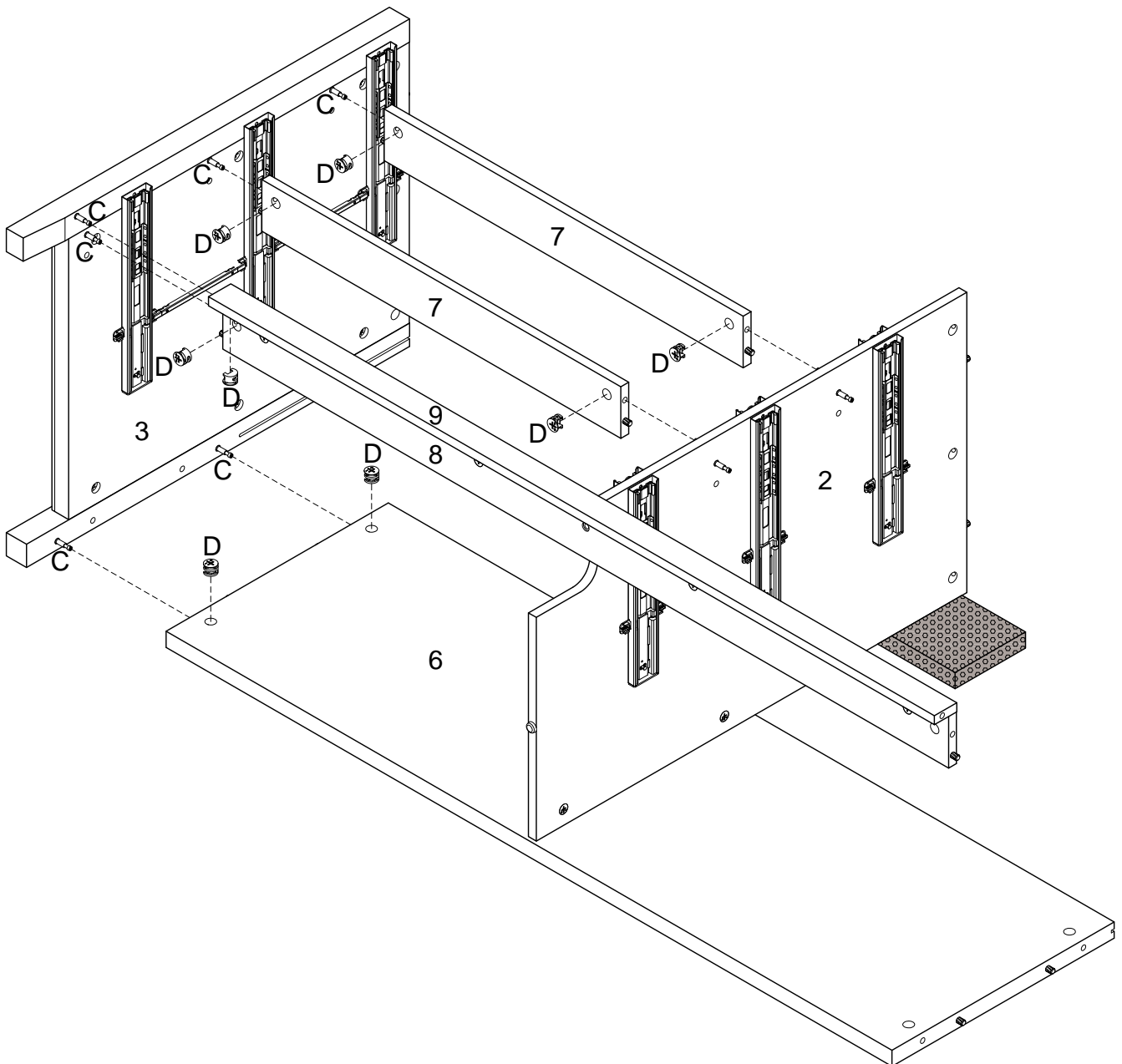
# Step 8

Secure the Lower Rail (8) to the Divider Panel (2) using the (F) bolts. Tighten with the provided hex key (G)



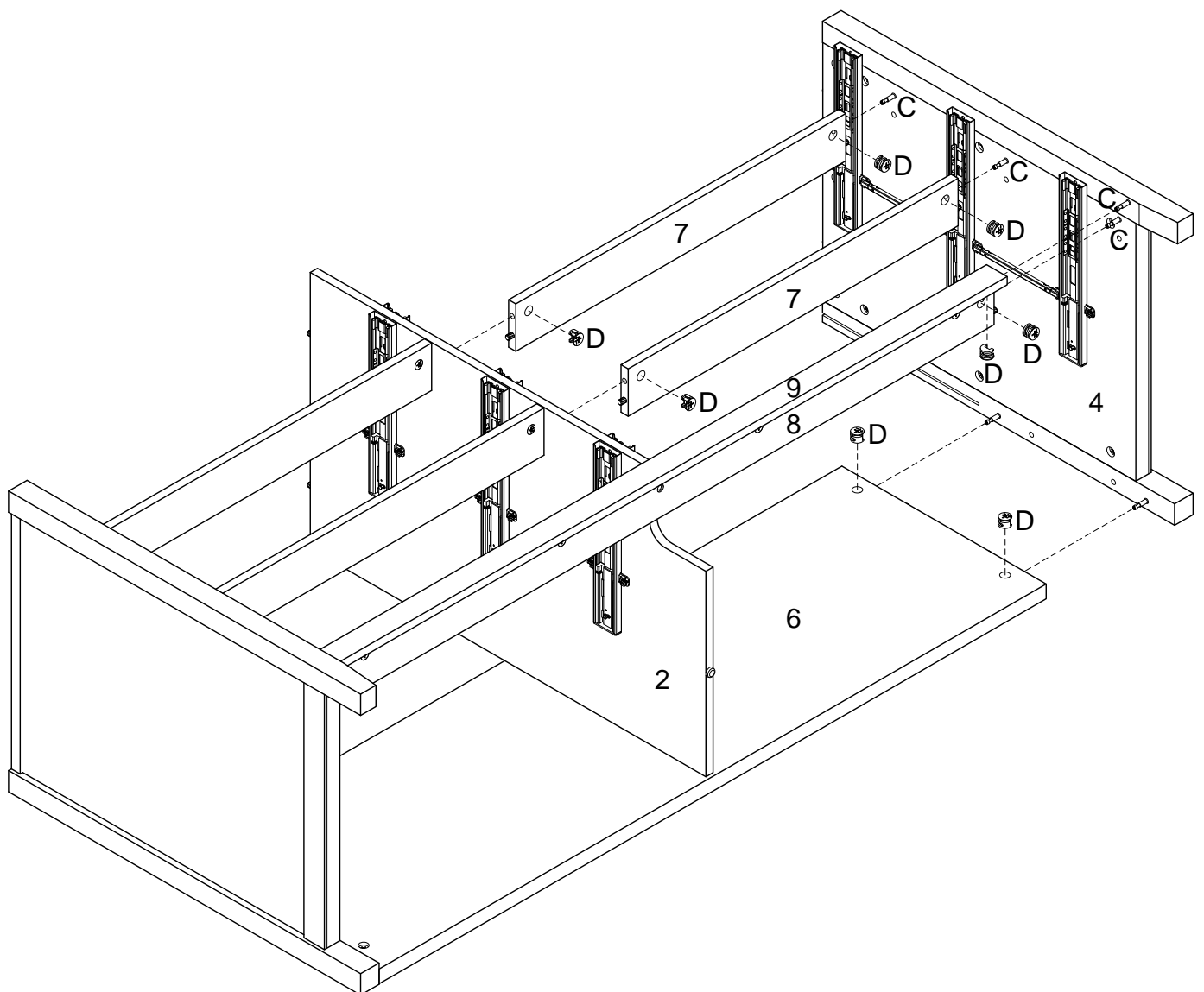
# Step 9

Attach the Middle Rails (7) to the Divider Panel (2). Insert cam locks (D) and tighten with a screwdriver. Then, attach the Left Panel (3) to the Middle Rails (7), Lower Rail (8)/Front Rail (9), and the Lower Back Panel (6). Insert cam locks (D) and tighten with a screwdriver



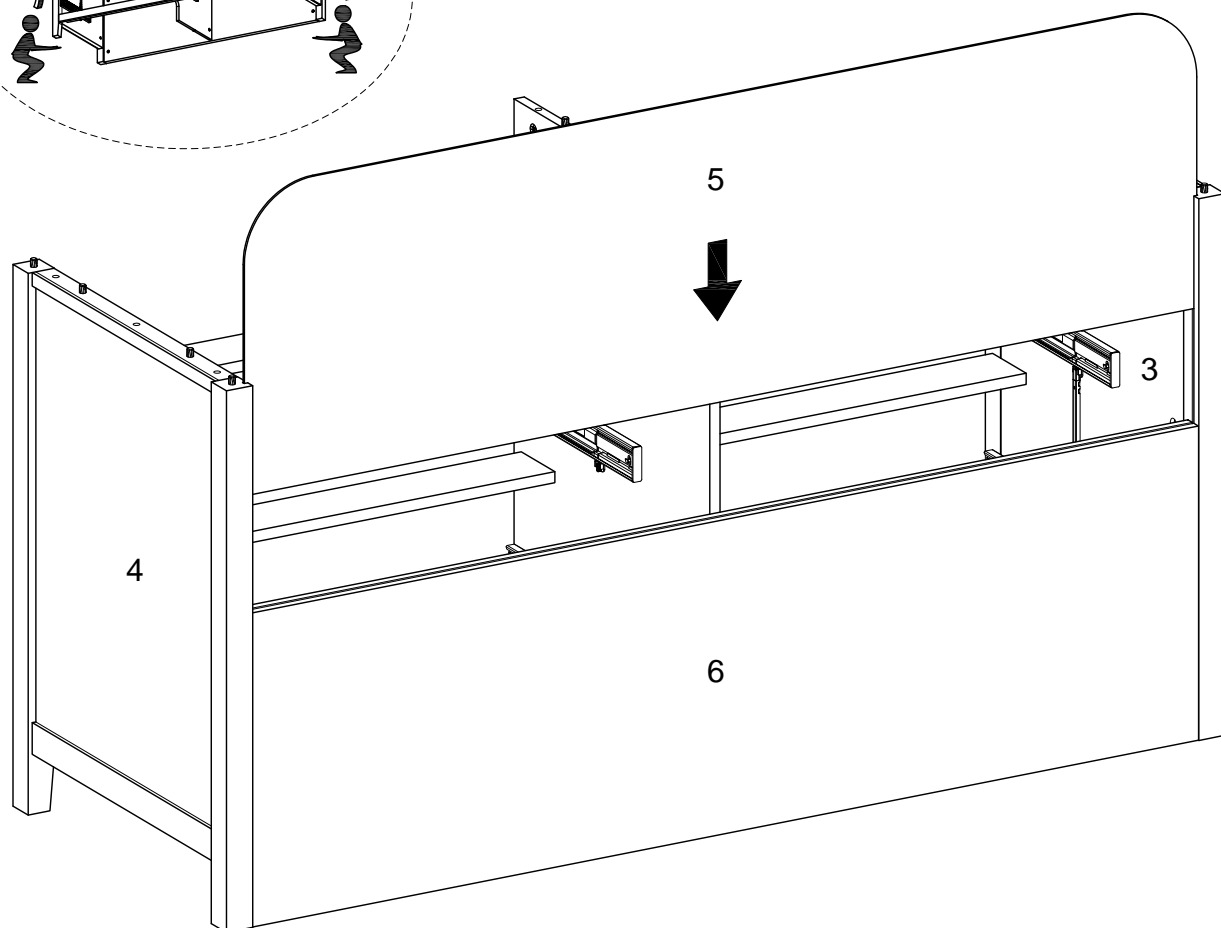
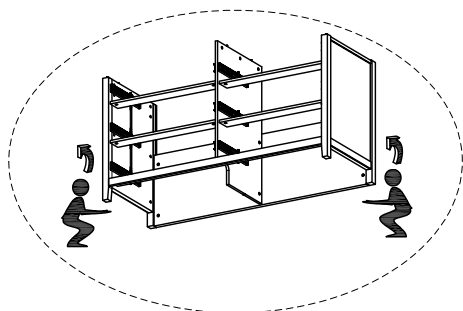
# Step 10

Repeat the previous step for the other side! Attach the Middle Rails (7) to the Divider Panel (2). Insert cam locks (D) and tighten with a screwdriver. Then, attach the Right Panel (4) to the Middle Rails (7), Lower Rail (8)/Front Rail (9), and the Lower Back Panel (6). Insert cam locks (D) and tighten with a screwdriver



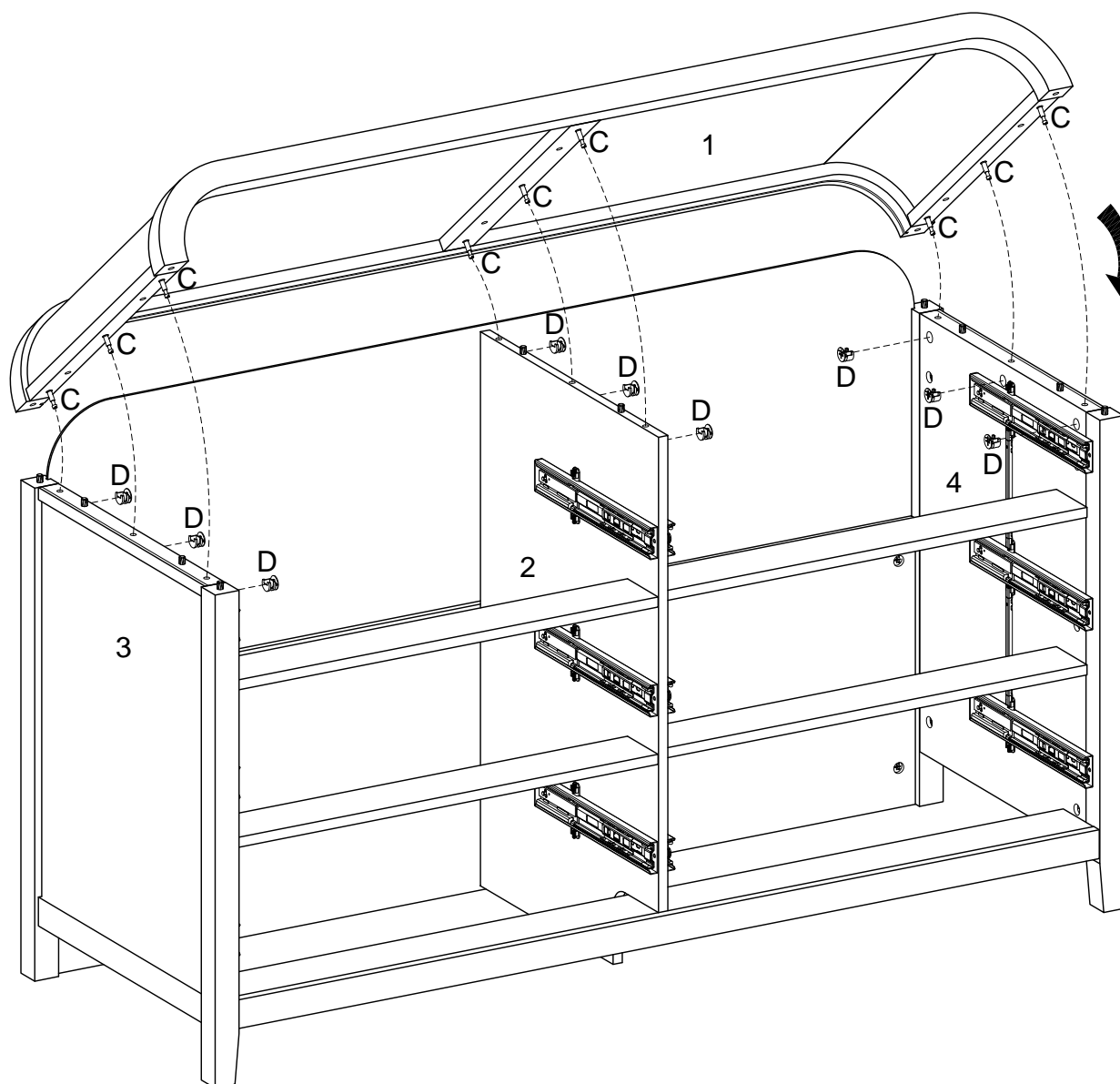
# Step 11

Insert Upper Back Panel (5) using the grooves as your guide



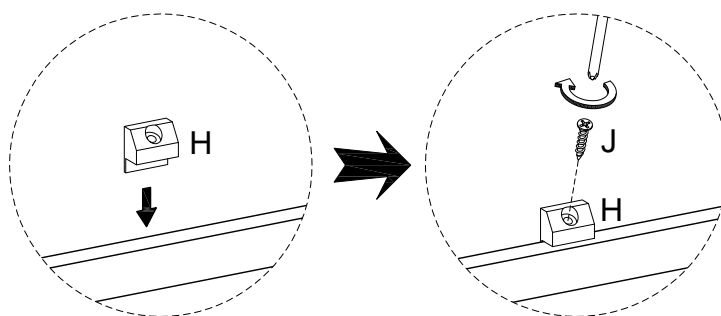
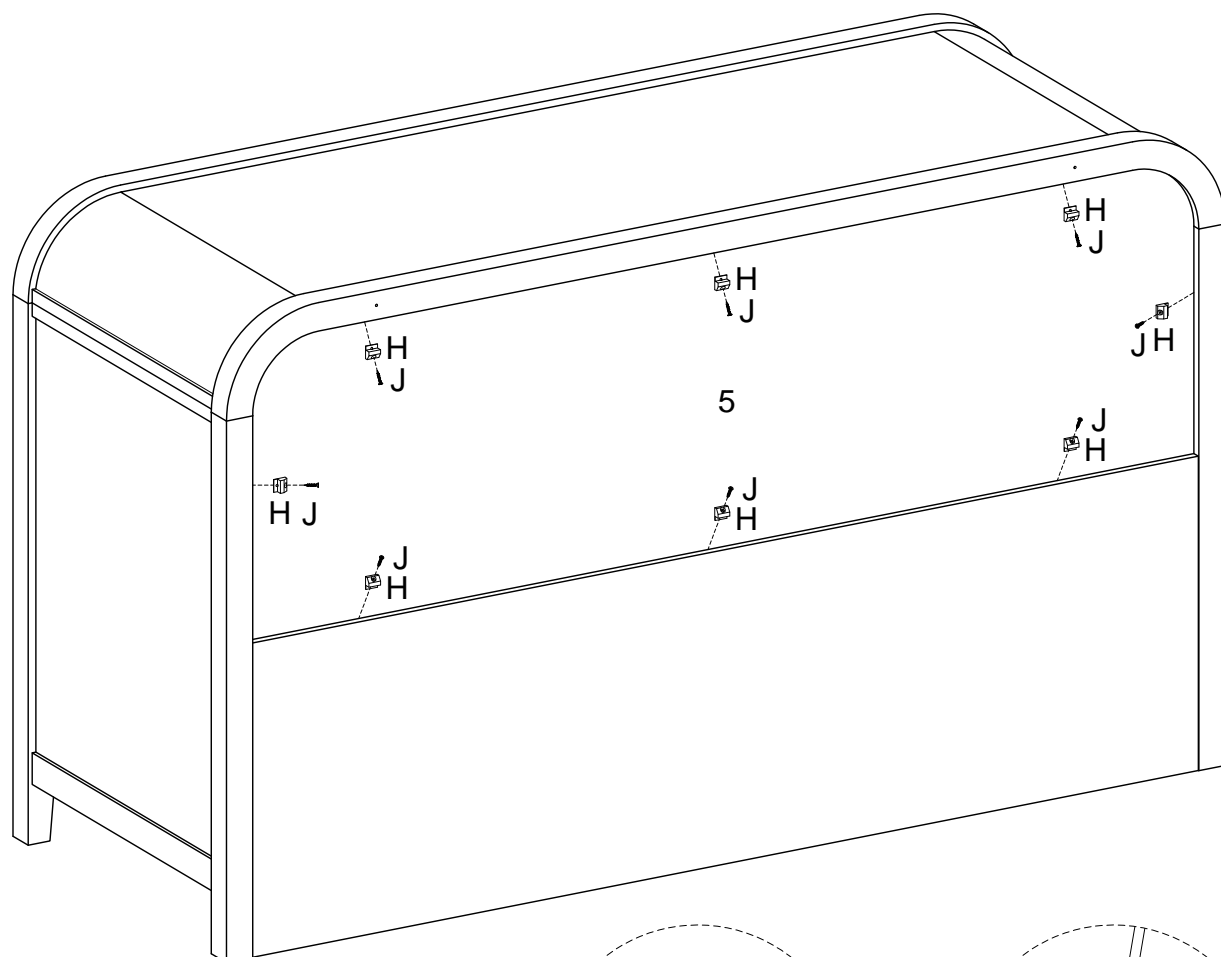
# Step 12

Attach the Top Panel (1). Insert cam locks (D) and tighten with a screwdriver



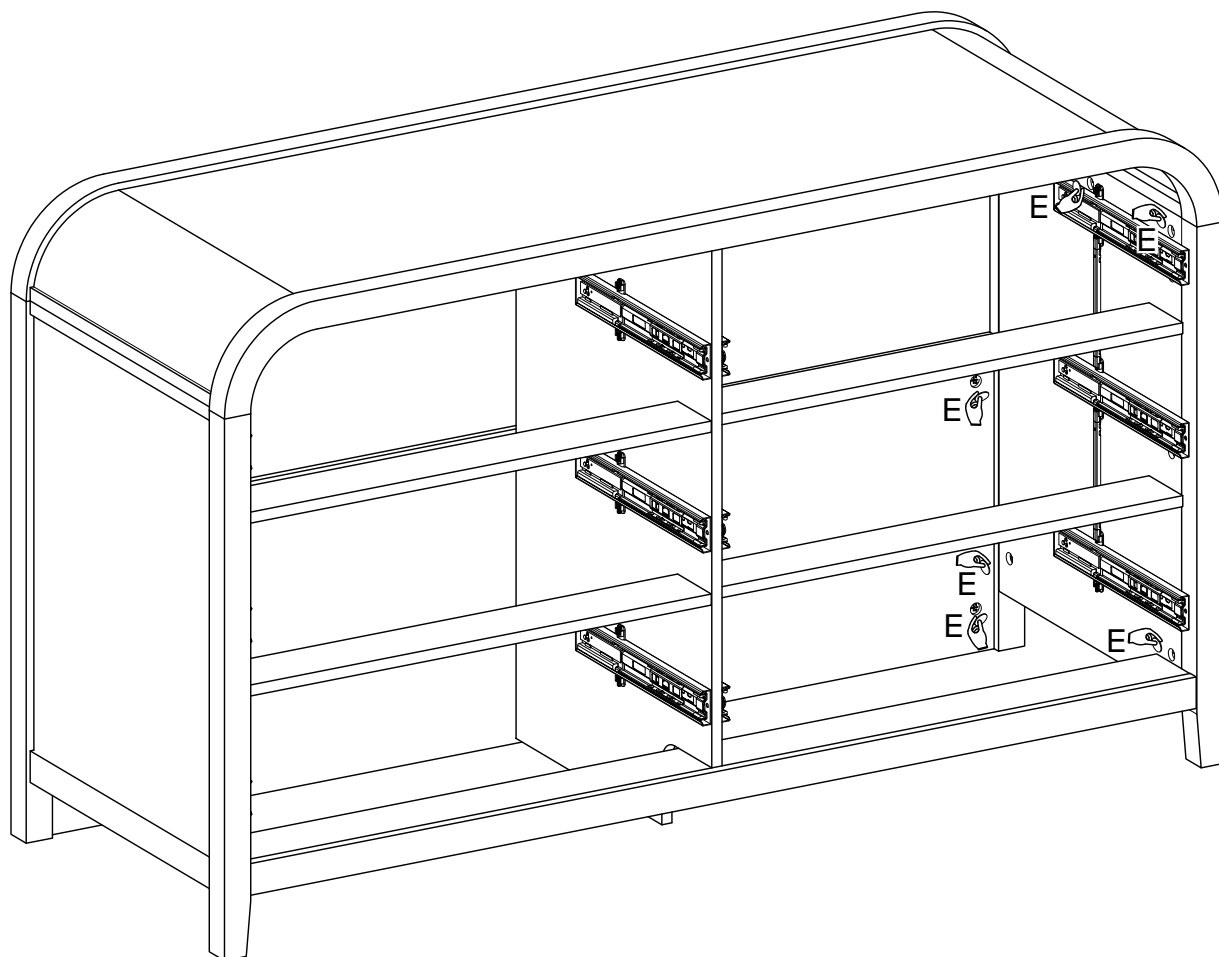
# Step 13

Evenly space the plastic wedges (H) in between the Upper Back Panel (5) and the frame. Secure with the (J) screws



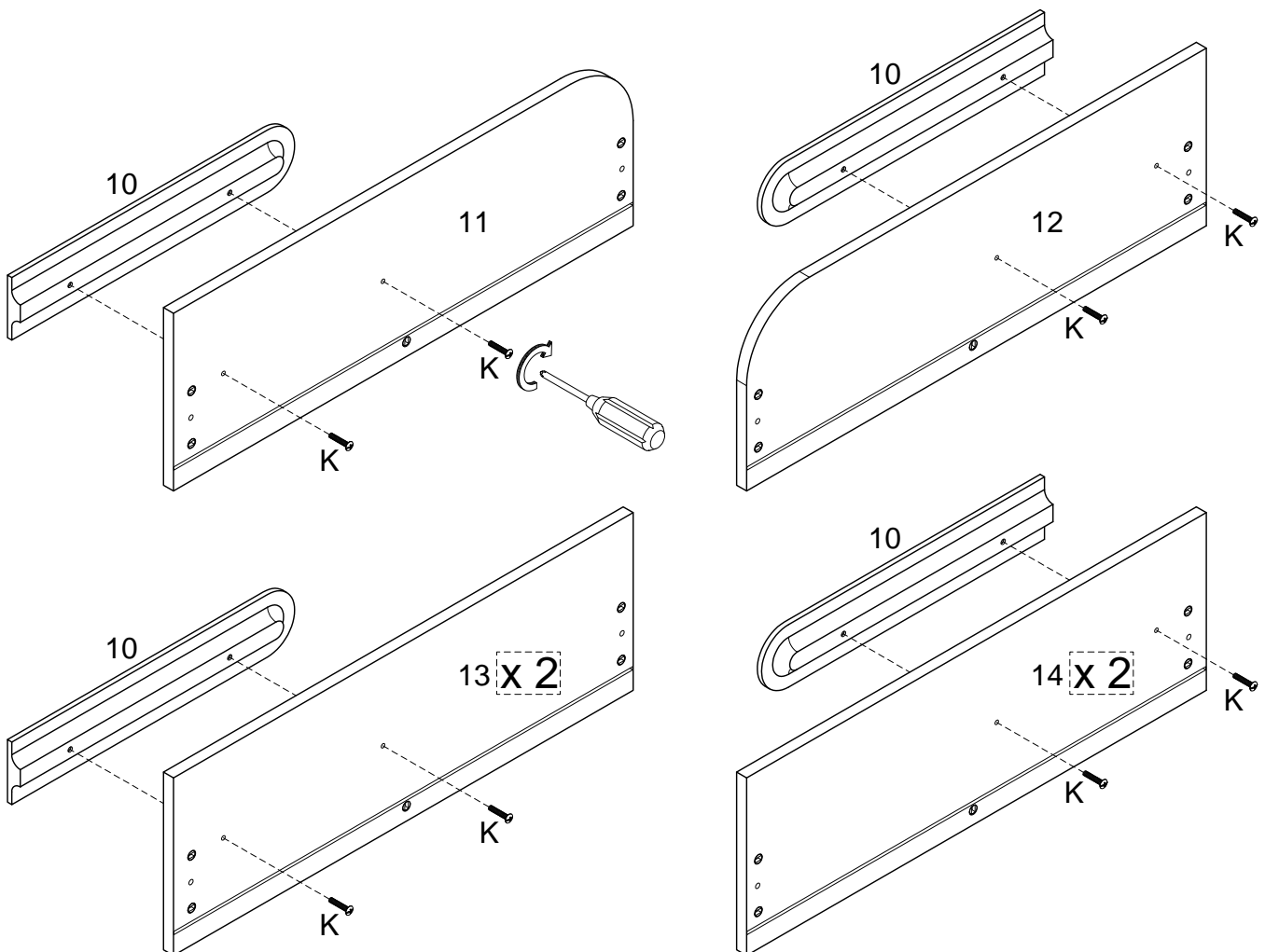
# Step 14

Use the provided stickers (E) to ensure a clean finish.



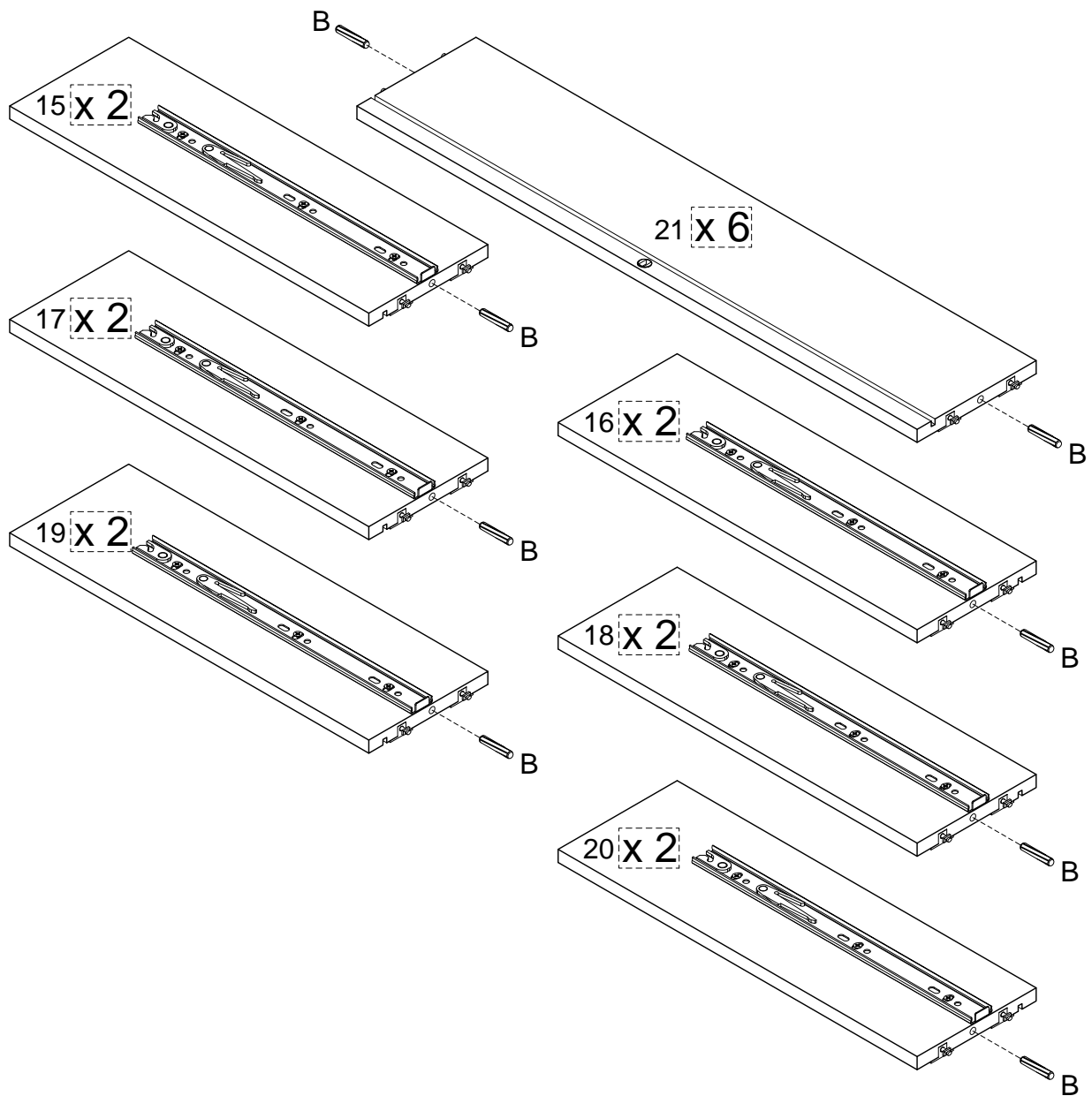
# Step 15

Using the (K) screws, attach a Wooden Handle (10) to the Upper Left Front Drawer Panel (11), Upper Right Front Drawer Panel (12), both Lower Left Front Drawer Panels (13), and both Lower Right Front Drawer Panels (14).



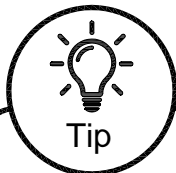
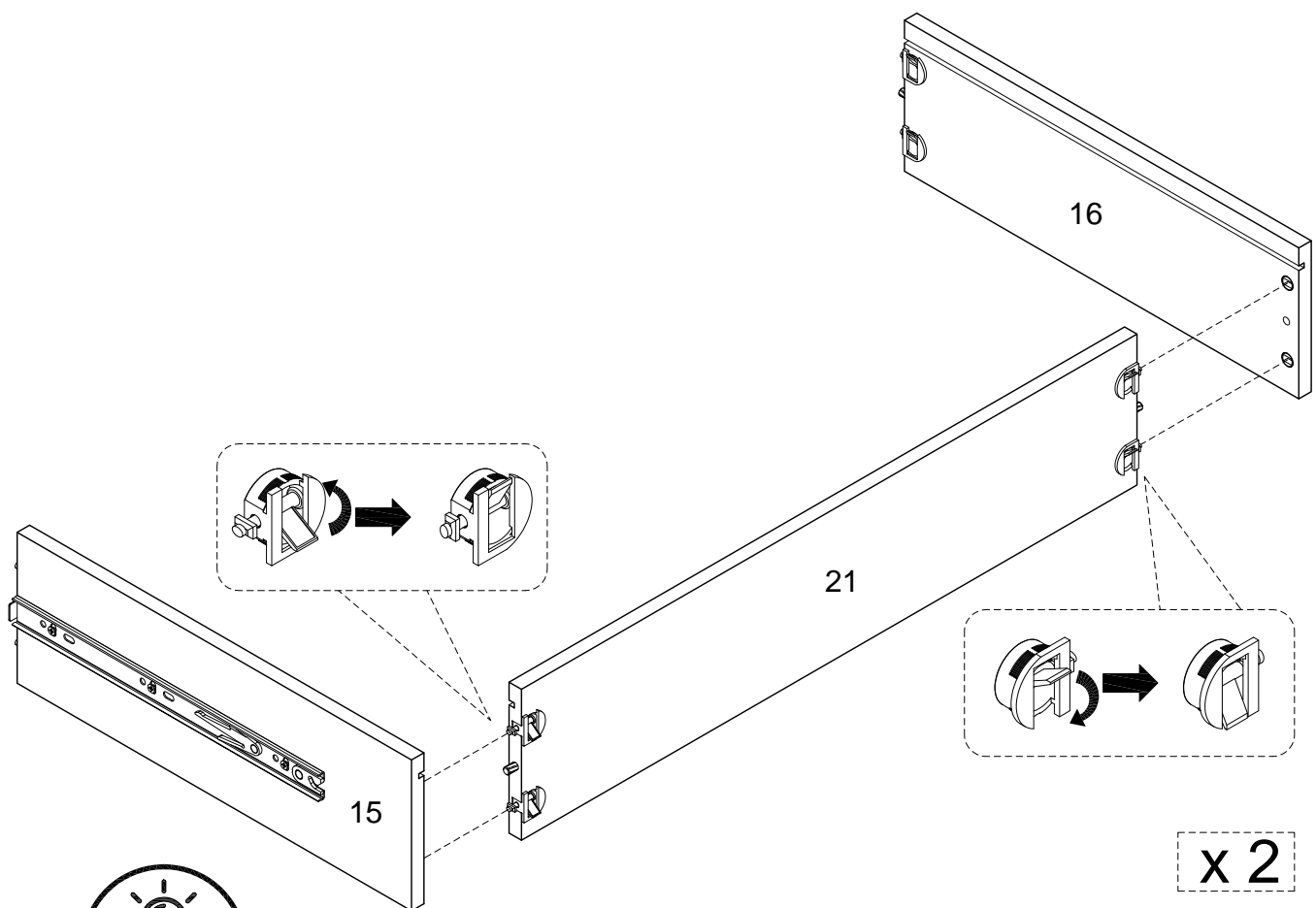
# Step 16

Insert wooden dowels (B) into the Back Drawer Panels (21), Upper Left Drawer Panels (15), Upper Right Drawer Panels (16), Middle Left Drawer Panels (17), Middle Right Drawer Panels (18), Lower Left Drawer Panels (19), and the Lower Right Drawer Panels (20).

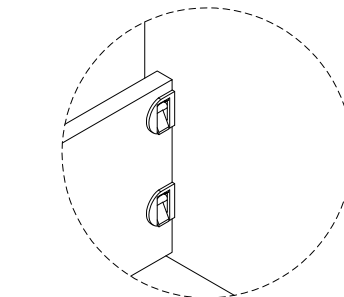
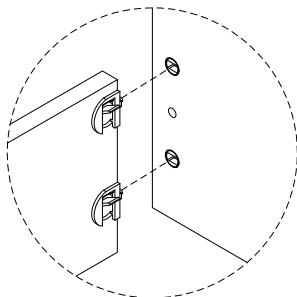


# Step 17

Using the quick assembly mechanism, attach the Upper Left Drawer Panel (15) and the Upper Right Drawer Panel (16) to the Back Drawer Panel (21). Repeat this once more for the second upper drawer.

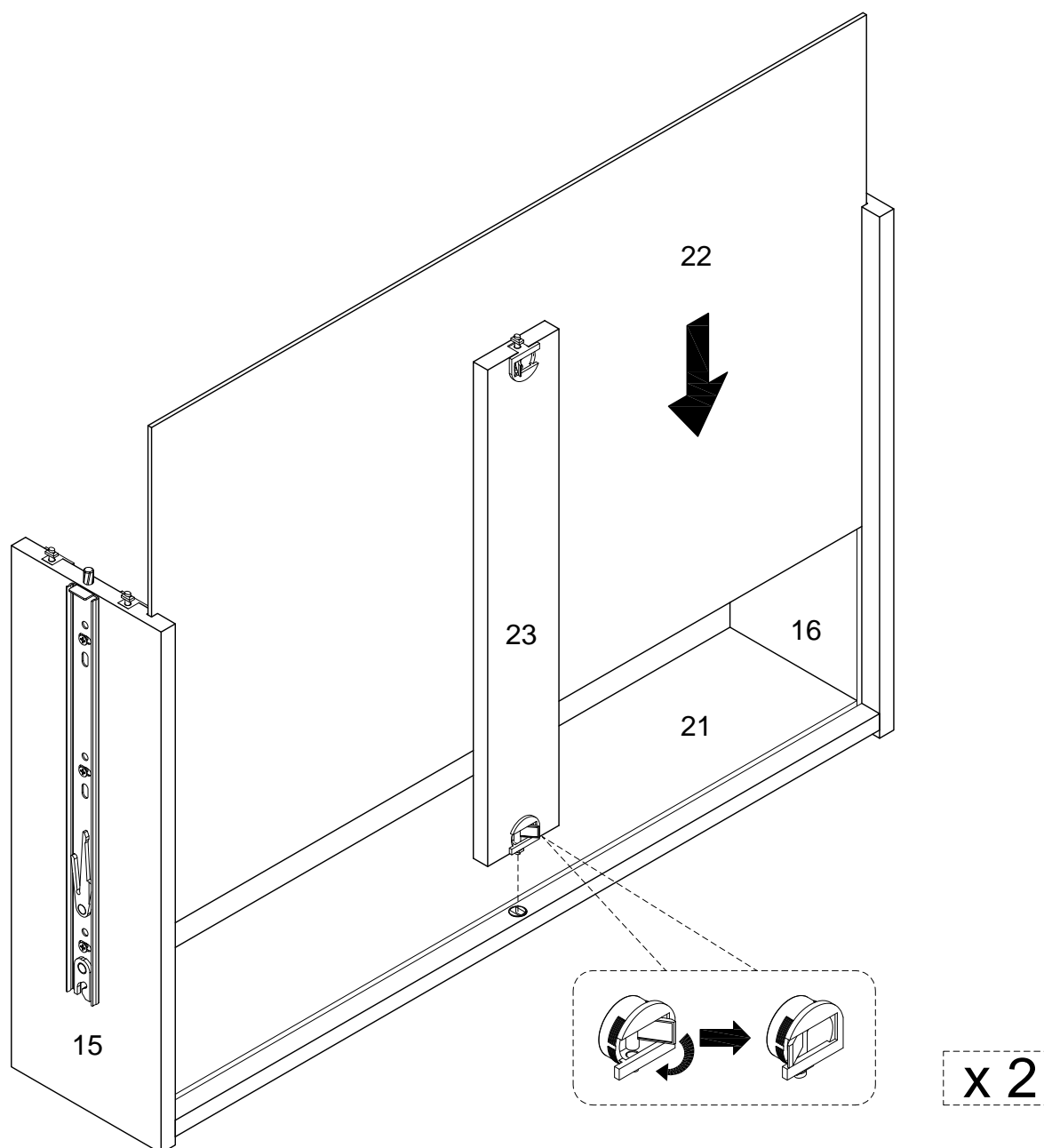


## Quick Assembly Drawers



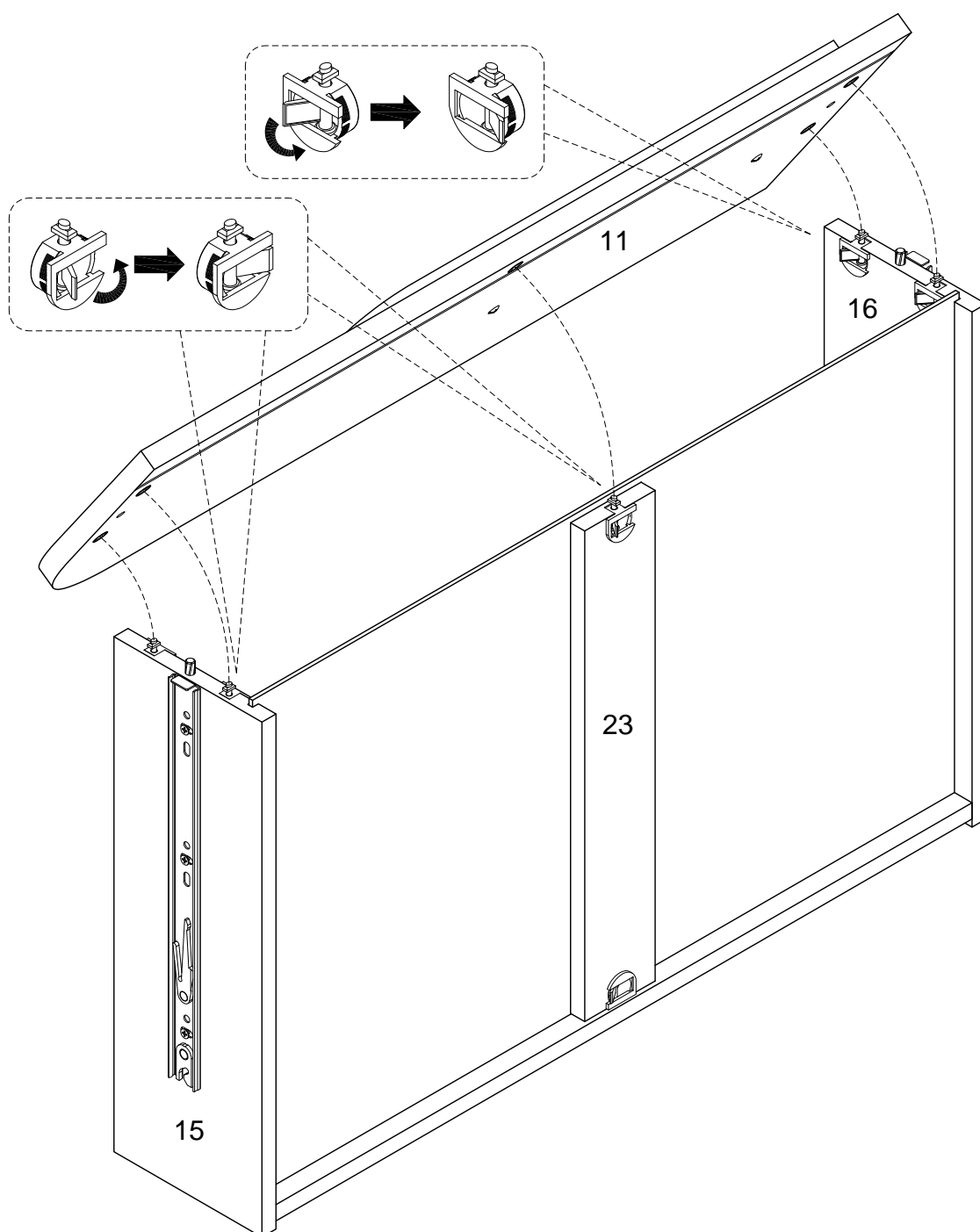
# Step 18

Insert the Bottom Drawer Panel (22) and the Drawer Support Panel (23). Repeat this for the second drawer.



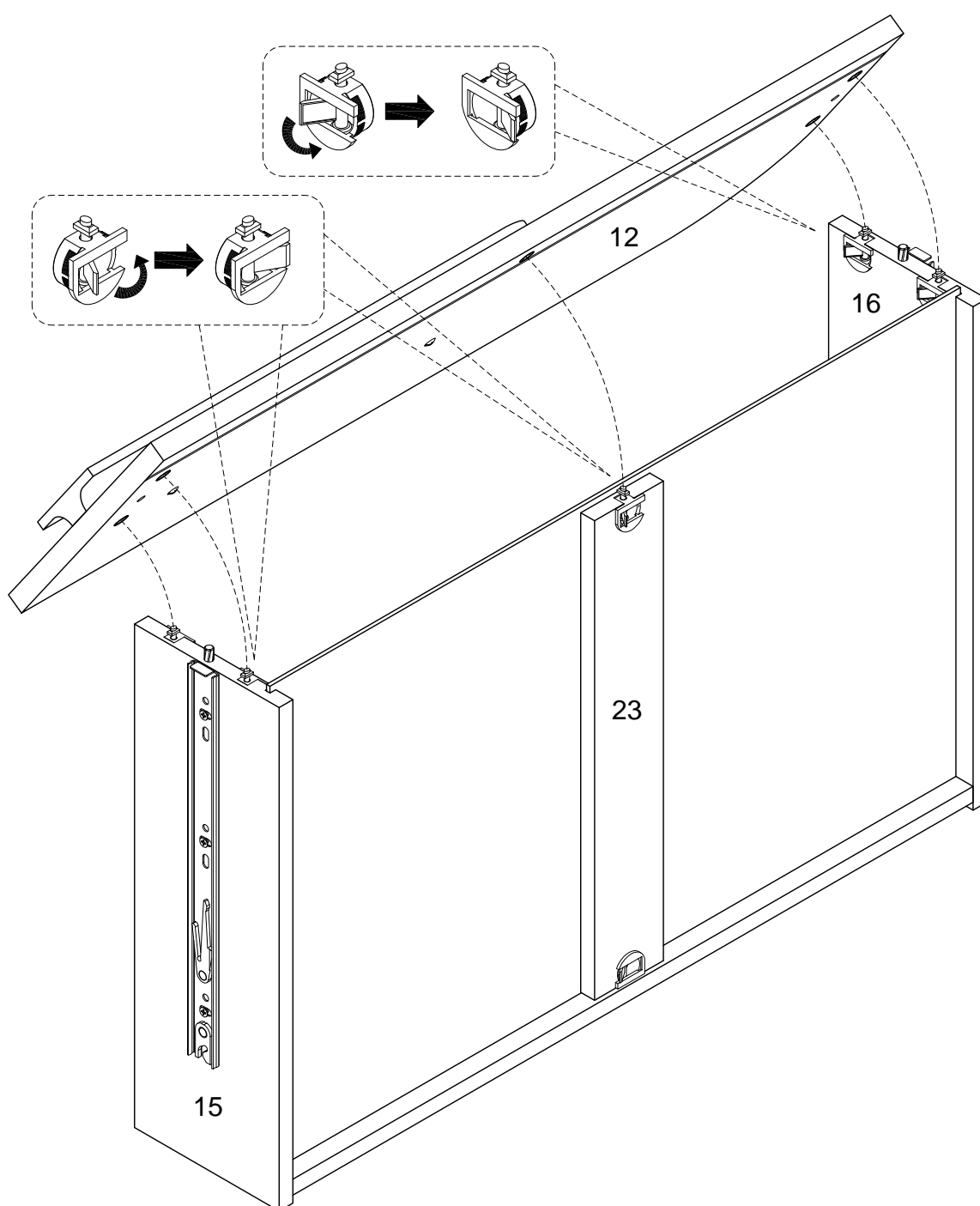
# Step 19

Attach the Upper Left Front Drawer Panel (11) to one drawer.



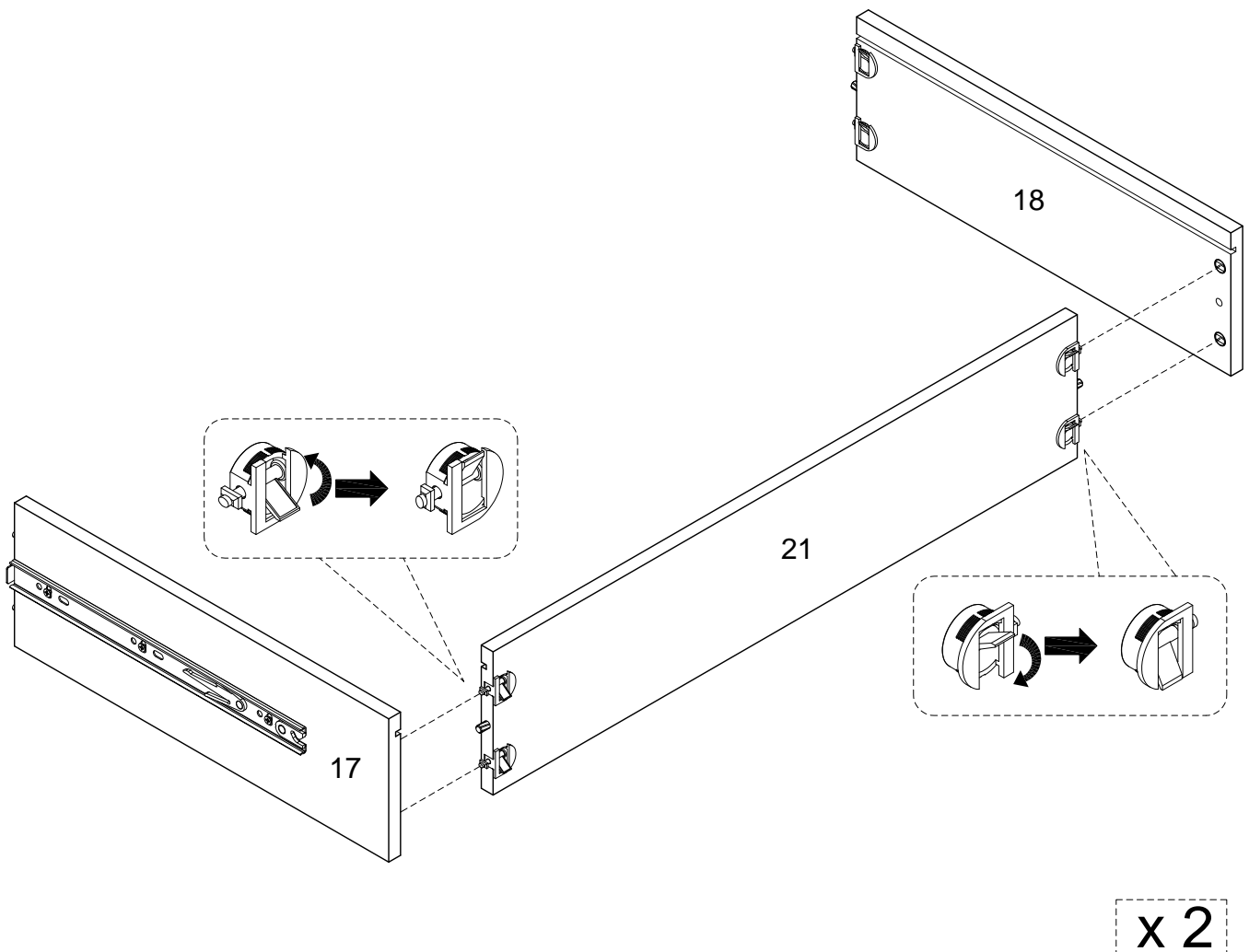
# Step 20

Attach the Upper Right Front Drawer Panel (12) to the other drawer.



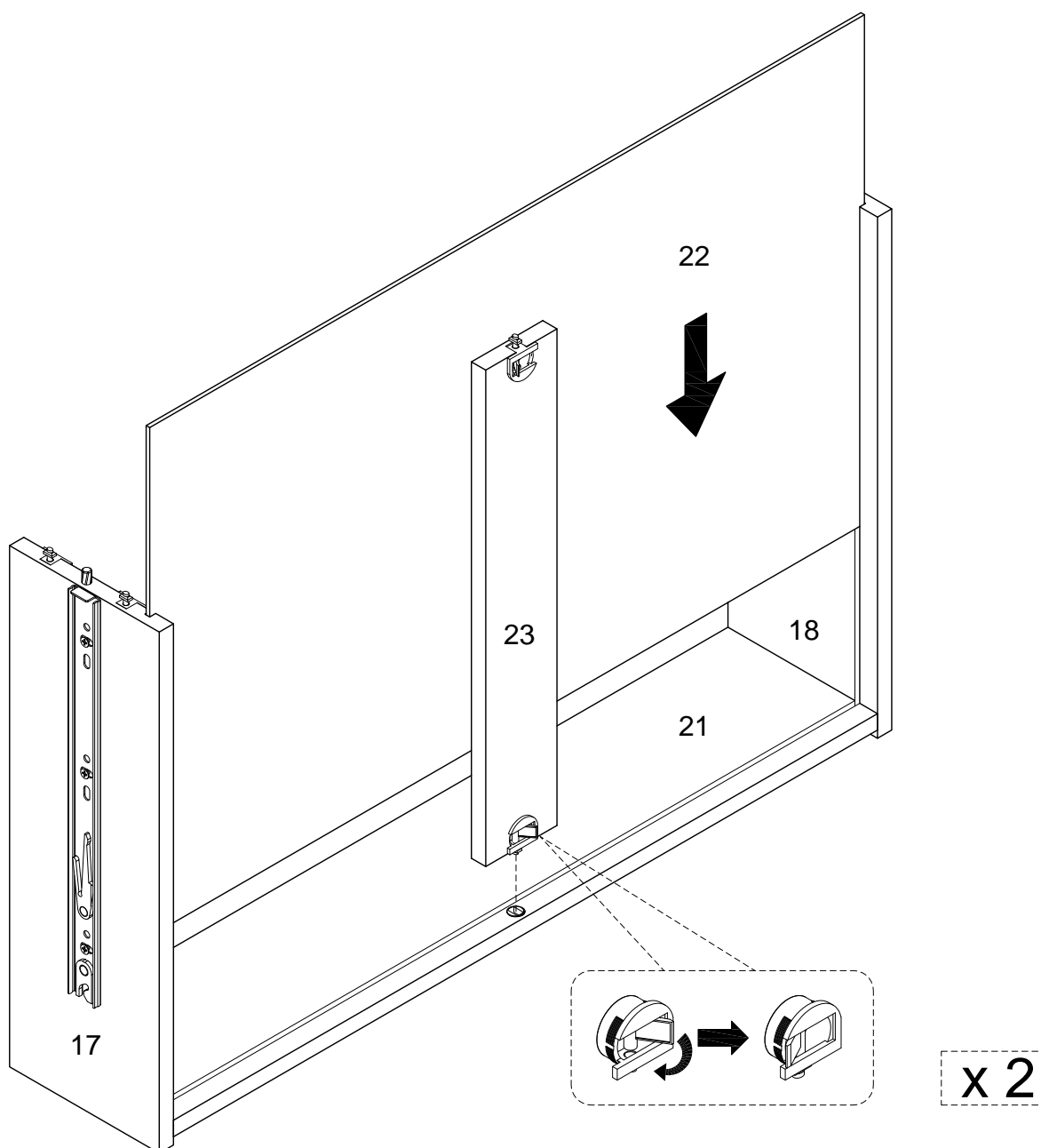
# Step 21

Using the quick assembly mechanism, attach the Middle Left Drawer Panel (17) and the Middle Right Drawer Panel (18) to the Back Drawer Panel (21). Repeat this once more for the second middle drawer.



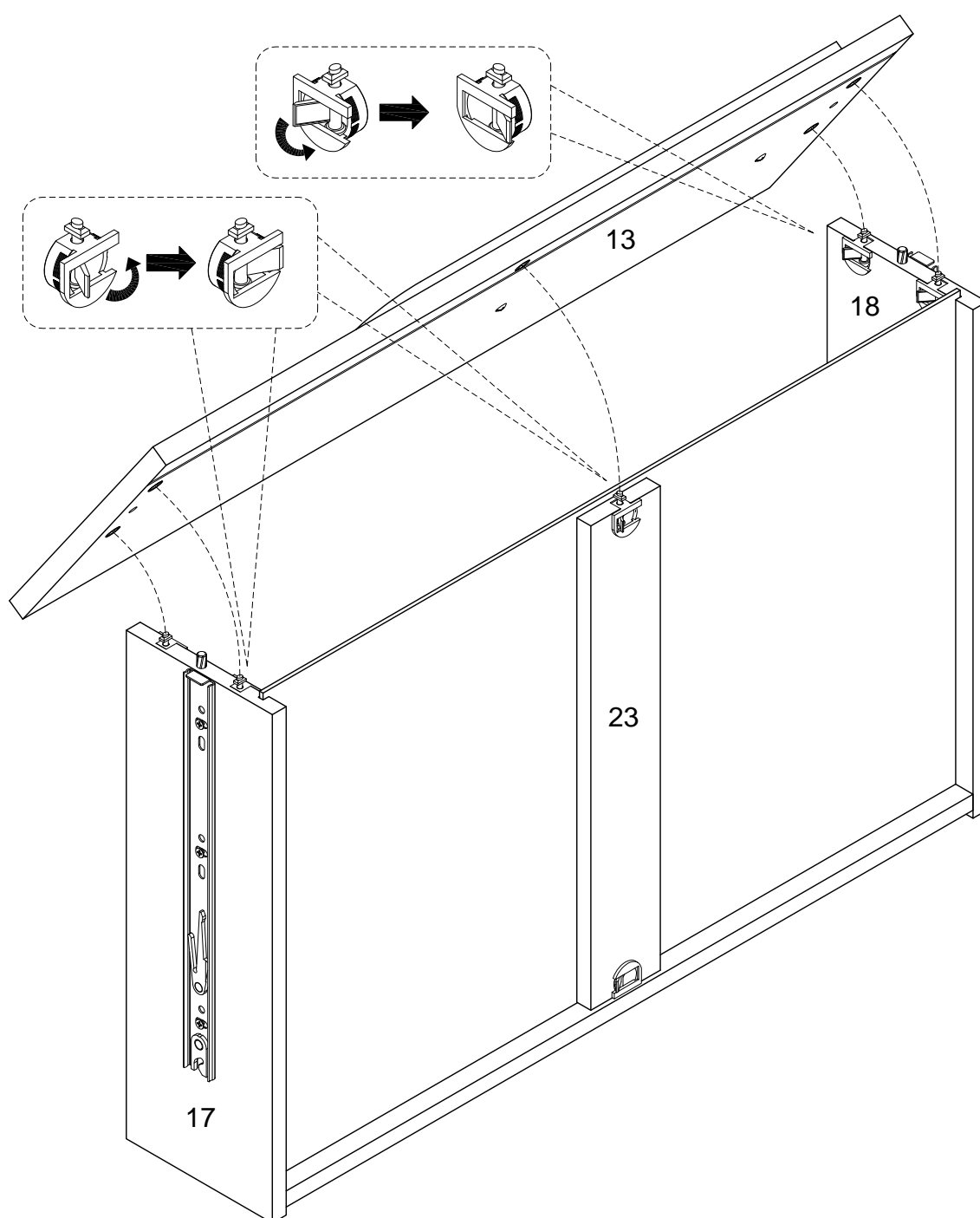
# Step 22

Insert the Bottom Drawer Panel (22) and the Drawer Support Panel (23). Repeat this for the second drawer.



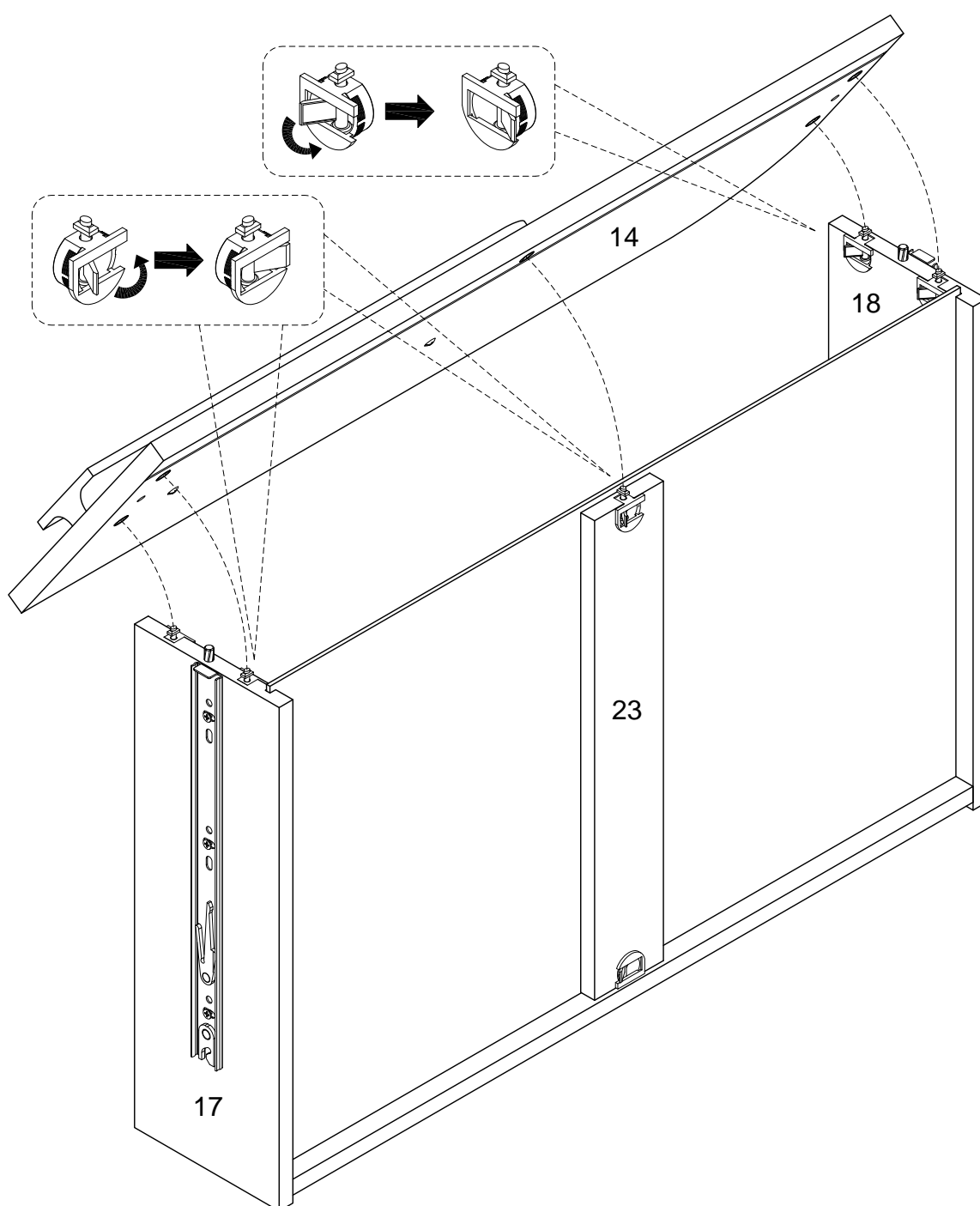
# Step 23

Attach the Lower Left Front Drawer Panel (13) to one drawer.



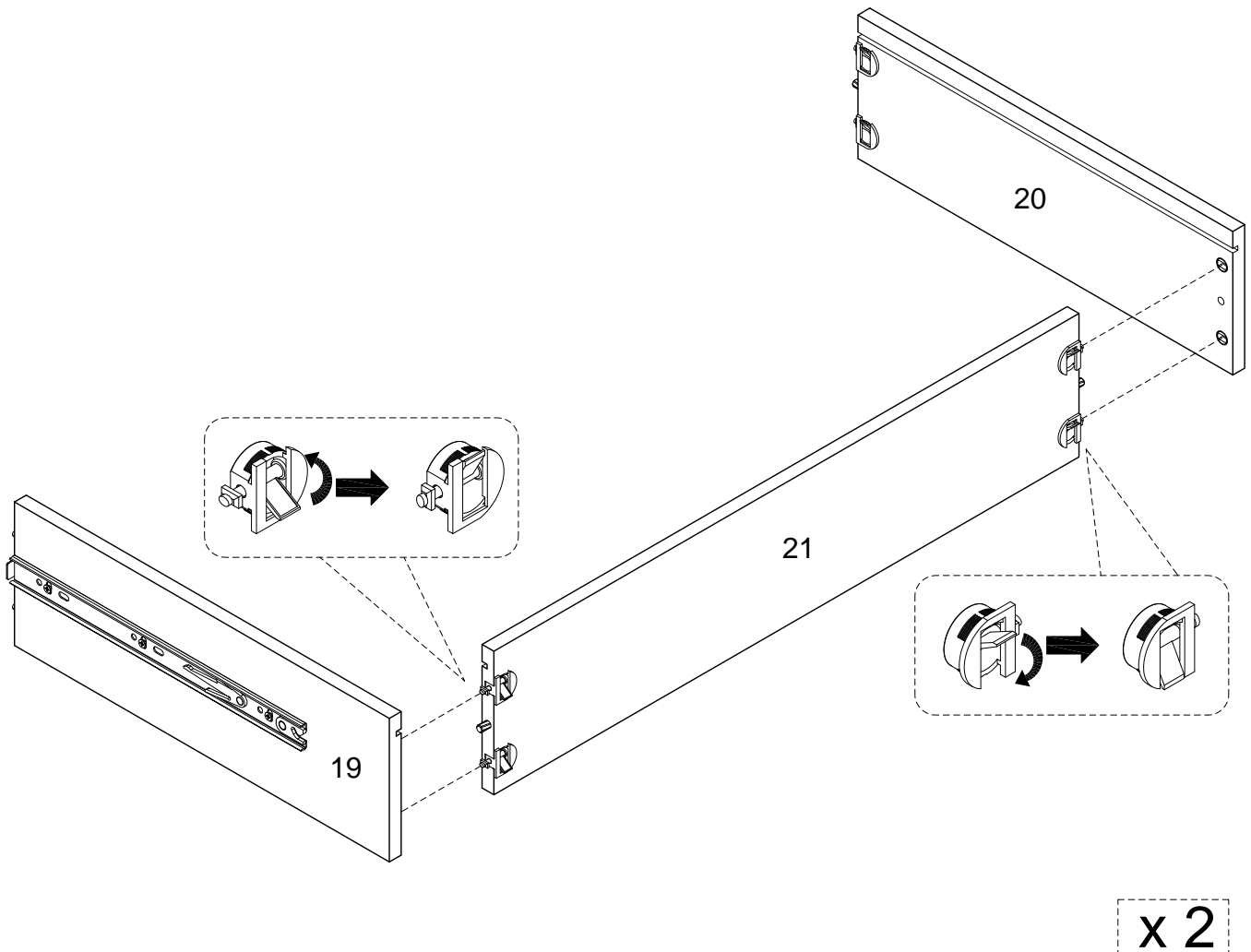
# Step 24

Attach the Lower Right Front Drawer Panel (14) to the other drawer.



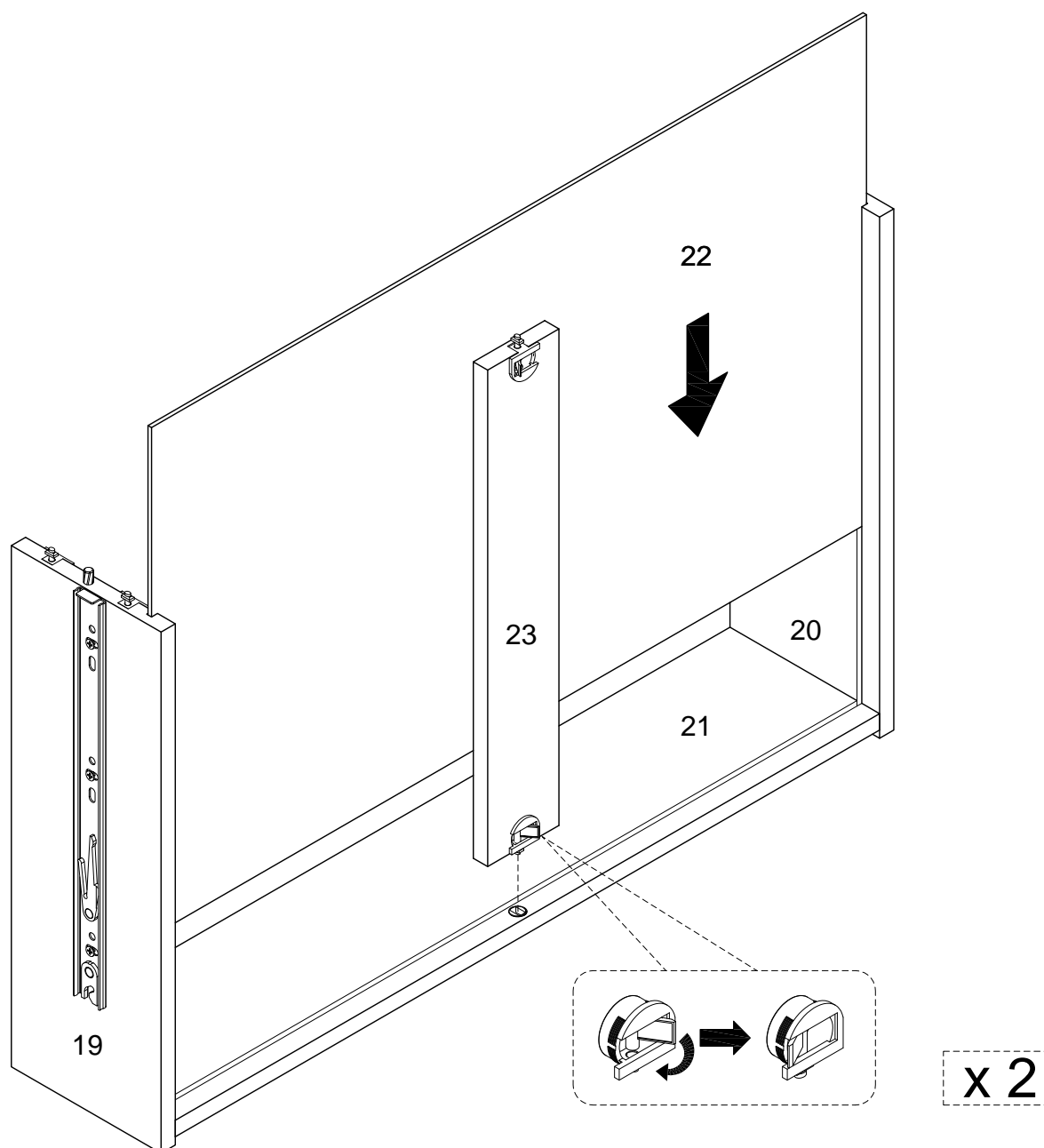
# Step 25

Using the quick assembly mechanism, attach the Lower Left Drawer Panel (19) and the Lower Right Drawer Panel (20) to the Back Drawer Panel (21). Repeat this once more for the second lower drawer.



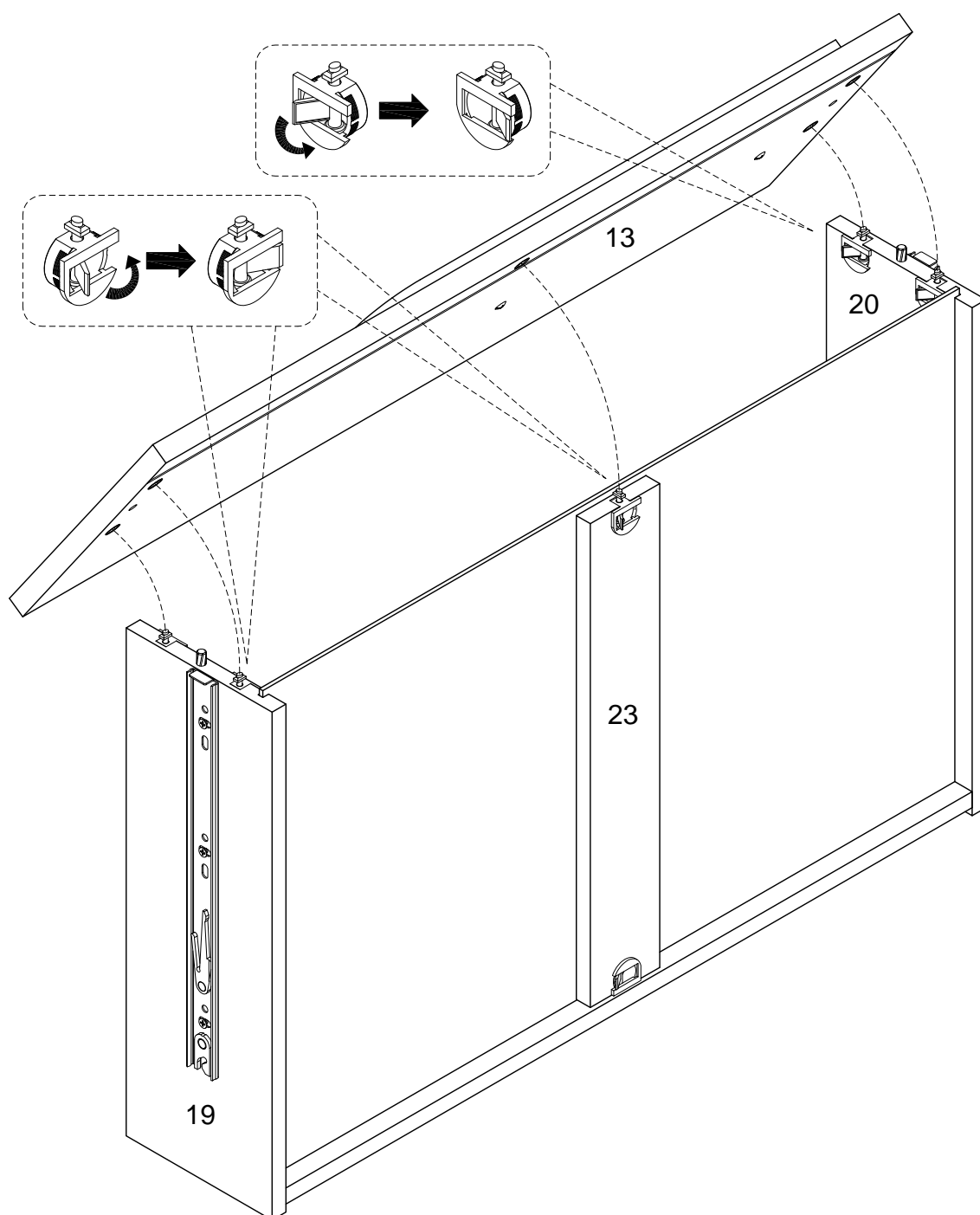
# Step 26

Insert the Bottom Drawer Panel (22) and the Drawer Support Panel (23). Repeat this for the second drawer.



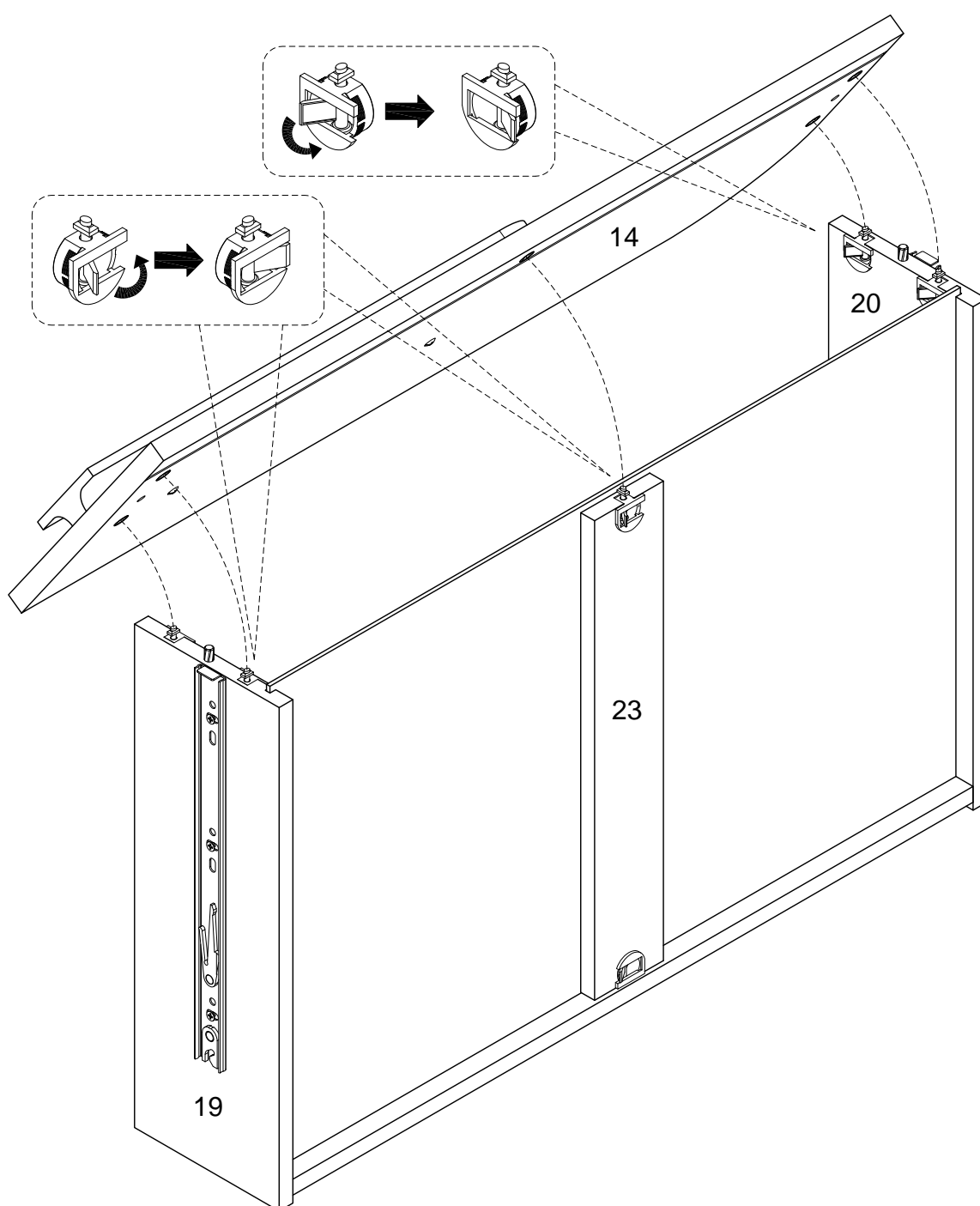
# Step 27

Attach the Lower Left Front Drawer Panel (13) to one drawer.



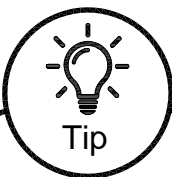
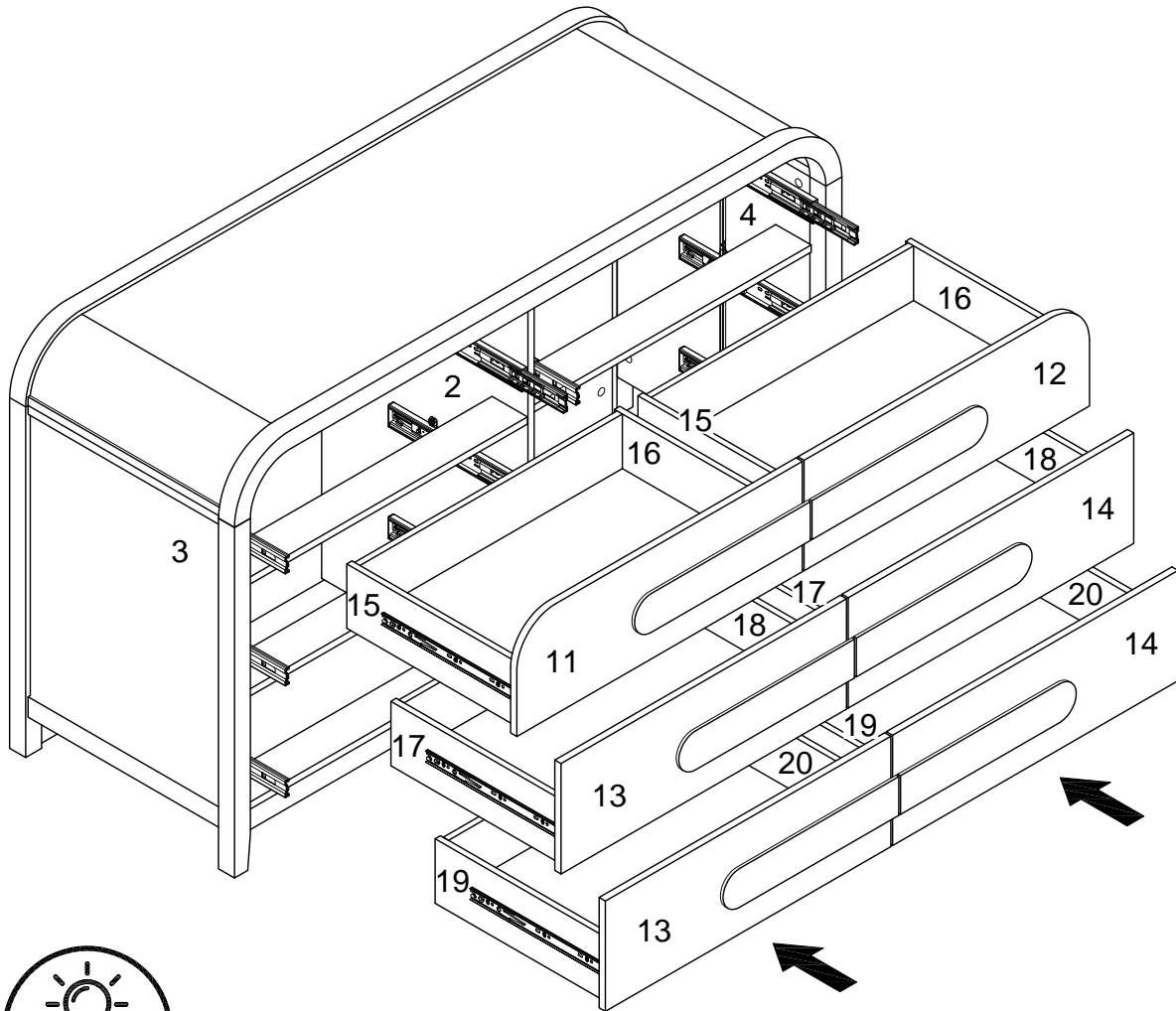
# Step 28

Attach the Lower Right Front Drawer Panel (14) to the other drawer.



# Step 29

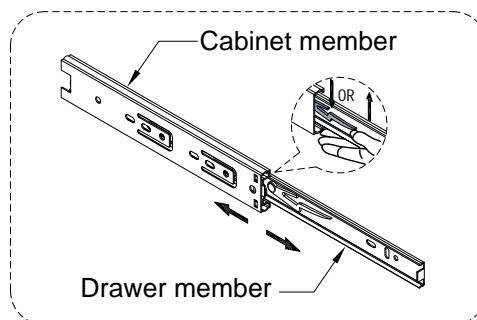
Firmly push the drawers all the way into place making sure the drawer member lines up with the inside guides of the cabinet member. Some resistance is normal.



Tip

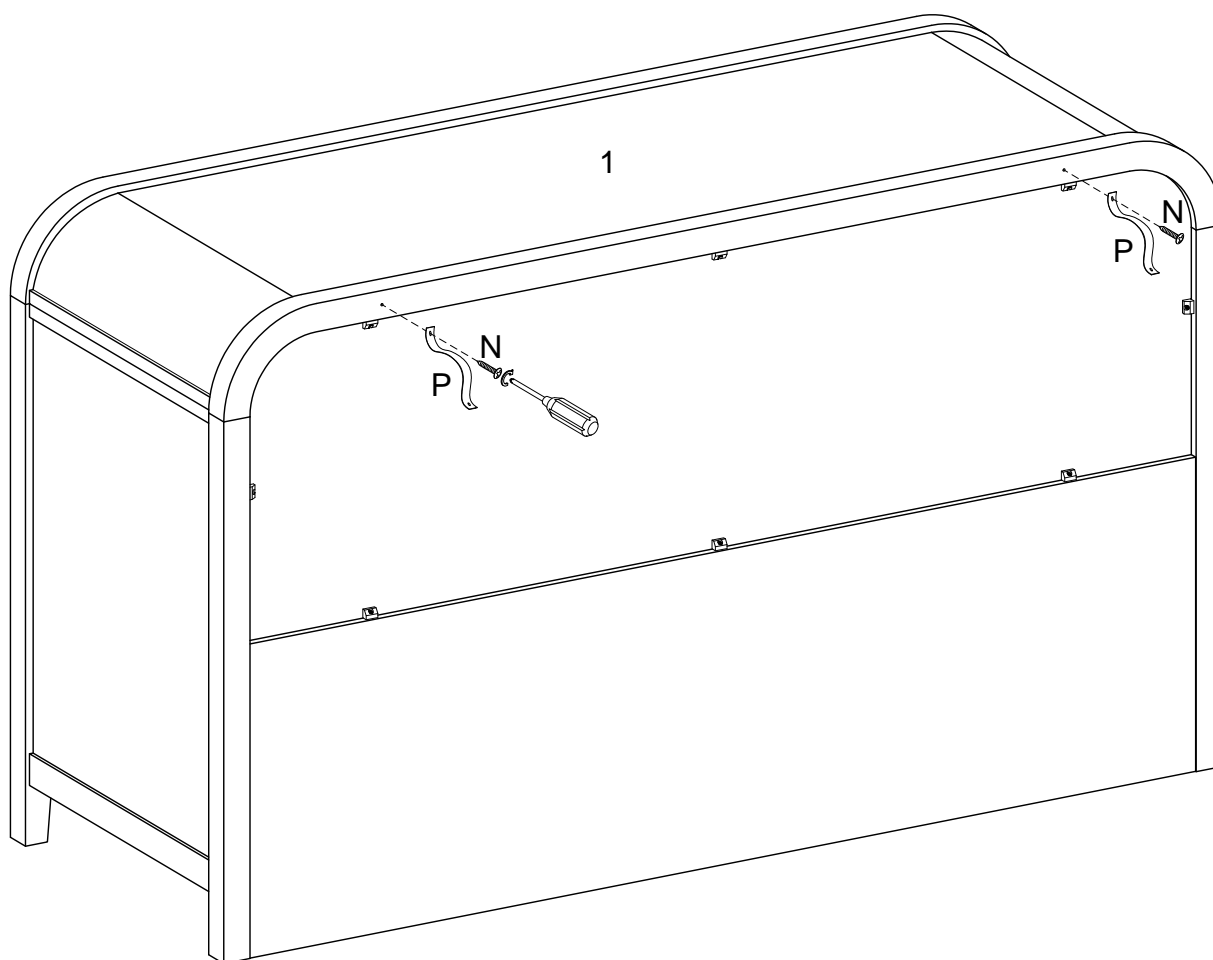
## Reinserting your Cabinet Glides together

Line up the Drawer Member so it is inside the guides of the Cabinet Member. Once the connection is made, push the drawer into place entirely. It may not be a smooth glide on your first try, but will improve after it's fully inserted.



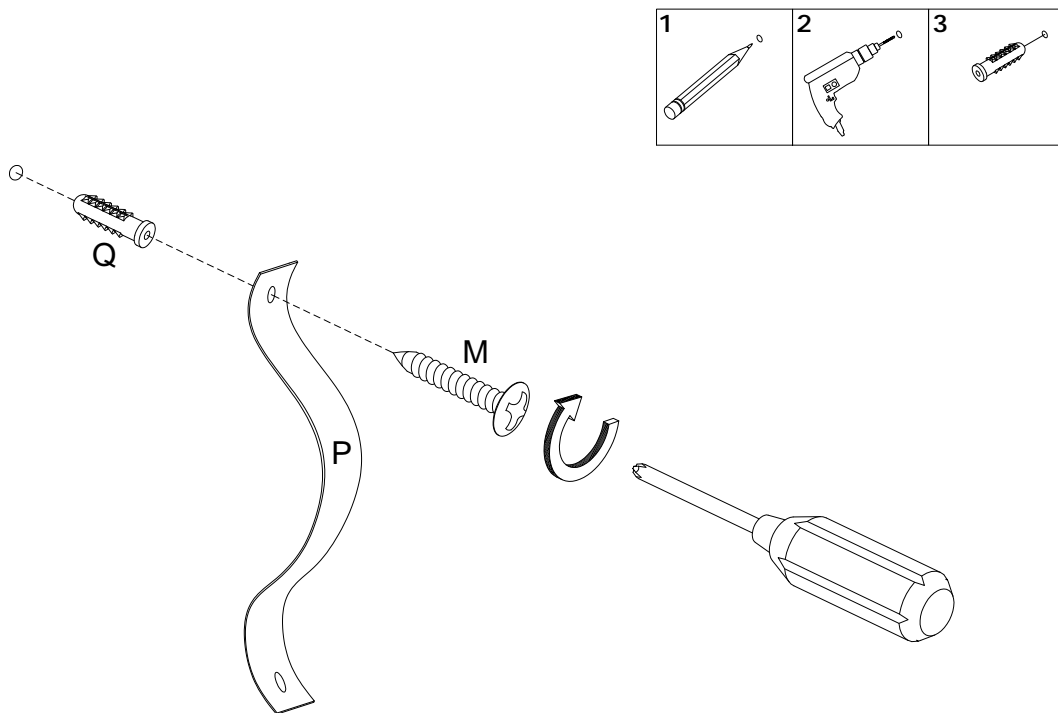
# Step 30

Secure the unit to the wall using the anti-tip hardware. Attach the plastic straps (P) to the Top Panel (1) with the (N) screws.



# Step 31

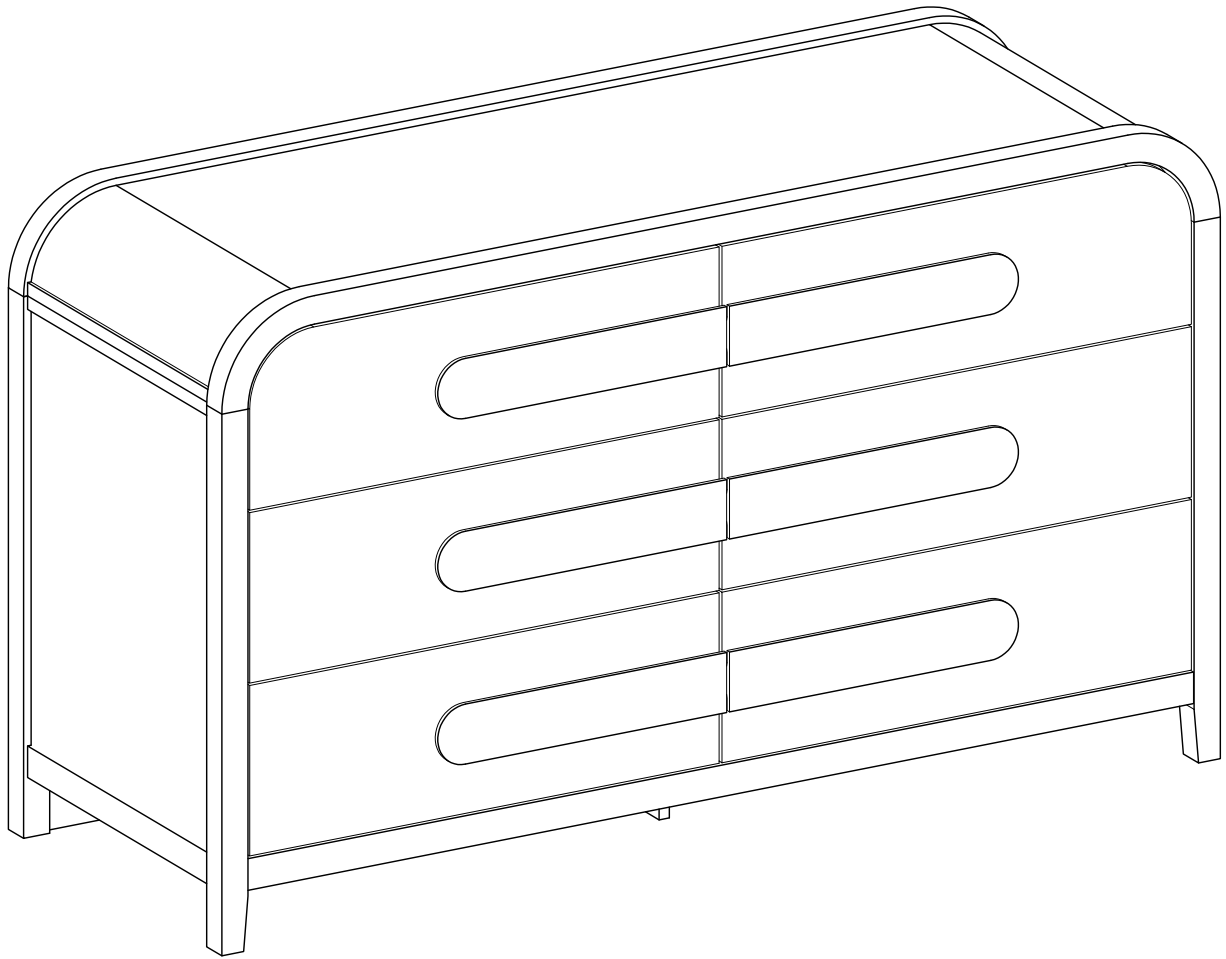
Insert the wall anchor (Q) into the wall, then fasten the other end of the plastic strap (P) to the wall using the (M) screw.



## Warning

Serious or fatal injuries can occur from furniture tipping over. To prevent the furniture from tipping over we recommend that it is permanently fixed to the wall. Wall anchor and hardware are included with this product. Please make sure hardware is suitable for your walls before installing, as different wall materials may require different types of anchors.

# Final Assembly



**Congratulations on your new piece of furniture!**

We would love to hear about it and see it.  
Please leave us a review or post a picture with  
**#mywalkerredisonhome**

# Assembling furniture can be tricky sometimes.

Our customer service team, located in Utah, is here for product information, help assembling a product, or for any other customer support issue

Call us at **801-433-3008**

Email us at [service@walkeredison.com](mailto:service@walkeredison.com)

Visit our Customer Service website at  
[walkeredison.com/pages/customer-service](http://walkeredison.com/pages/customer-service)

We are available to help Monday -Thursday 8am-5pm, Friday  
8am-3pm MST

For details on Assembly Videos, Assembly Instructions,  
Replacement Parts, and Customer service,  
**SCAN HERE**

