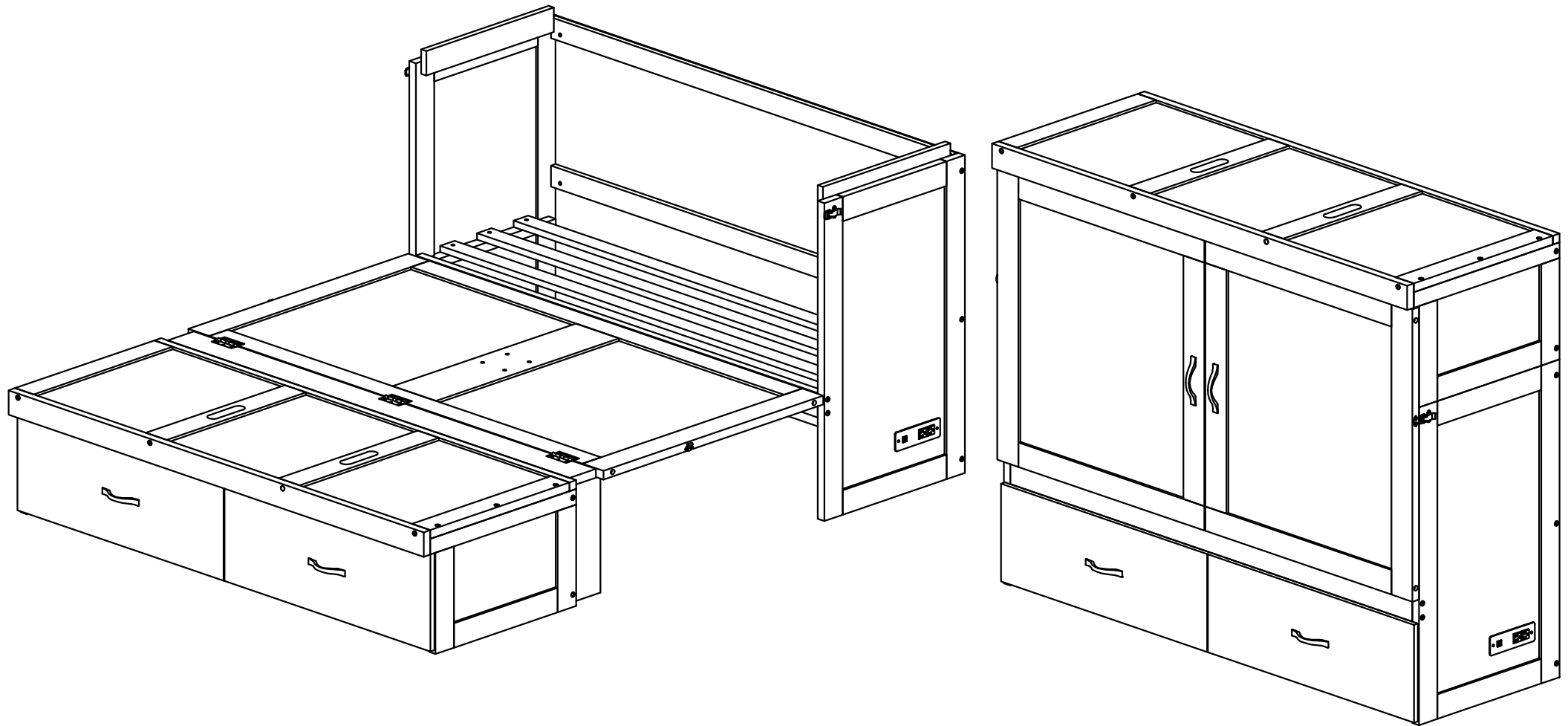


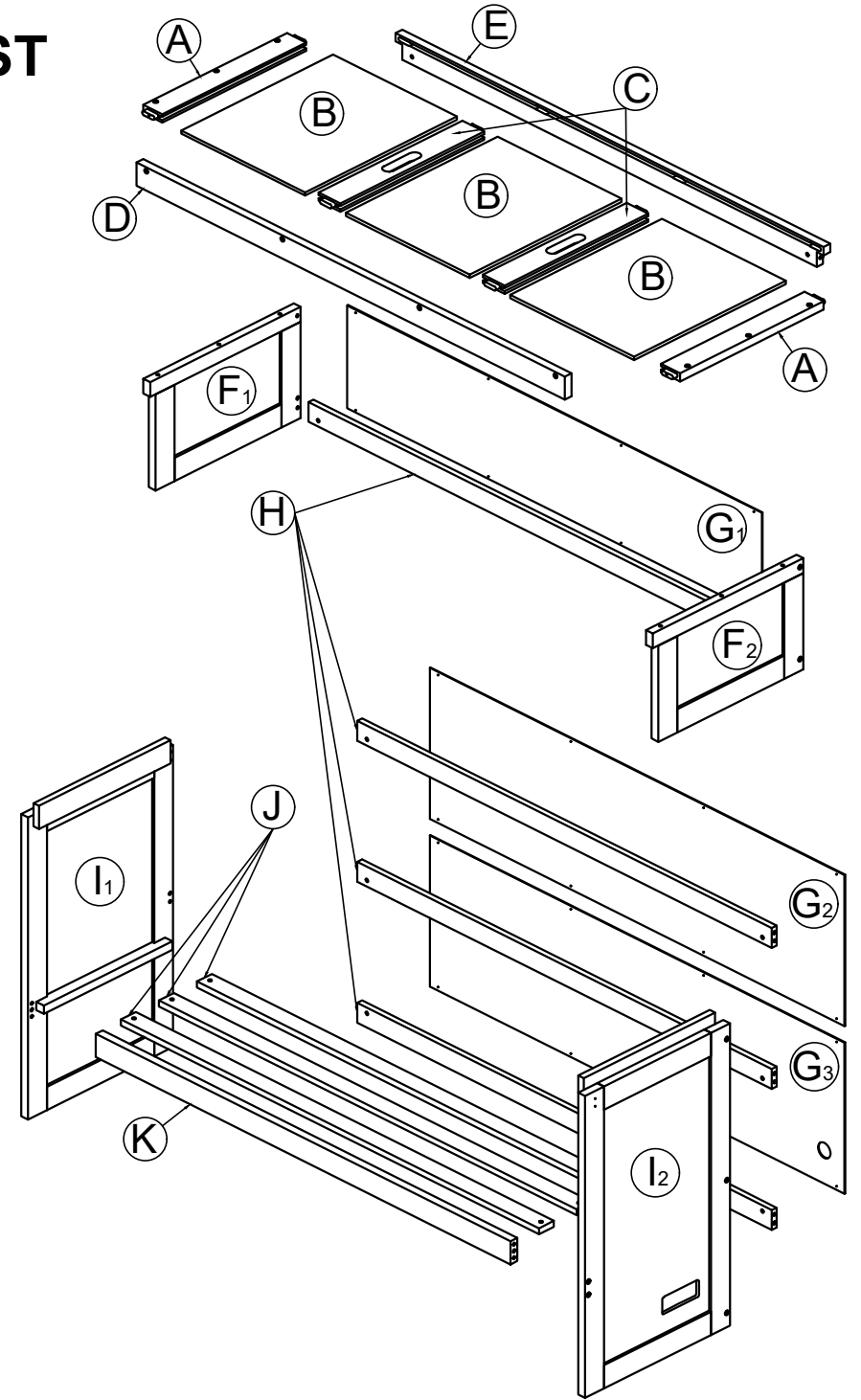
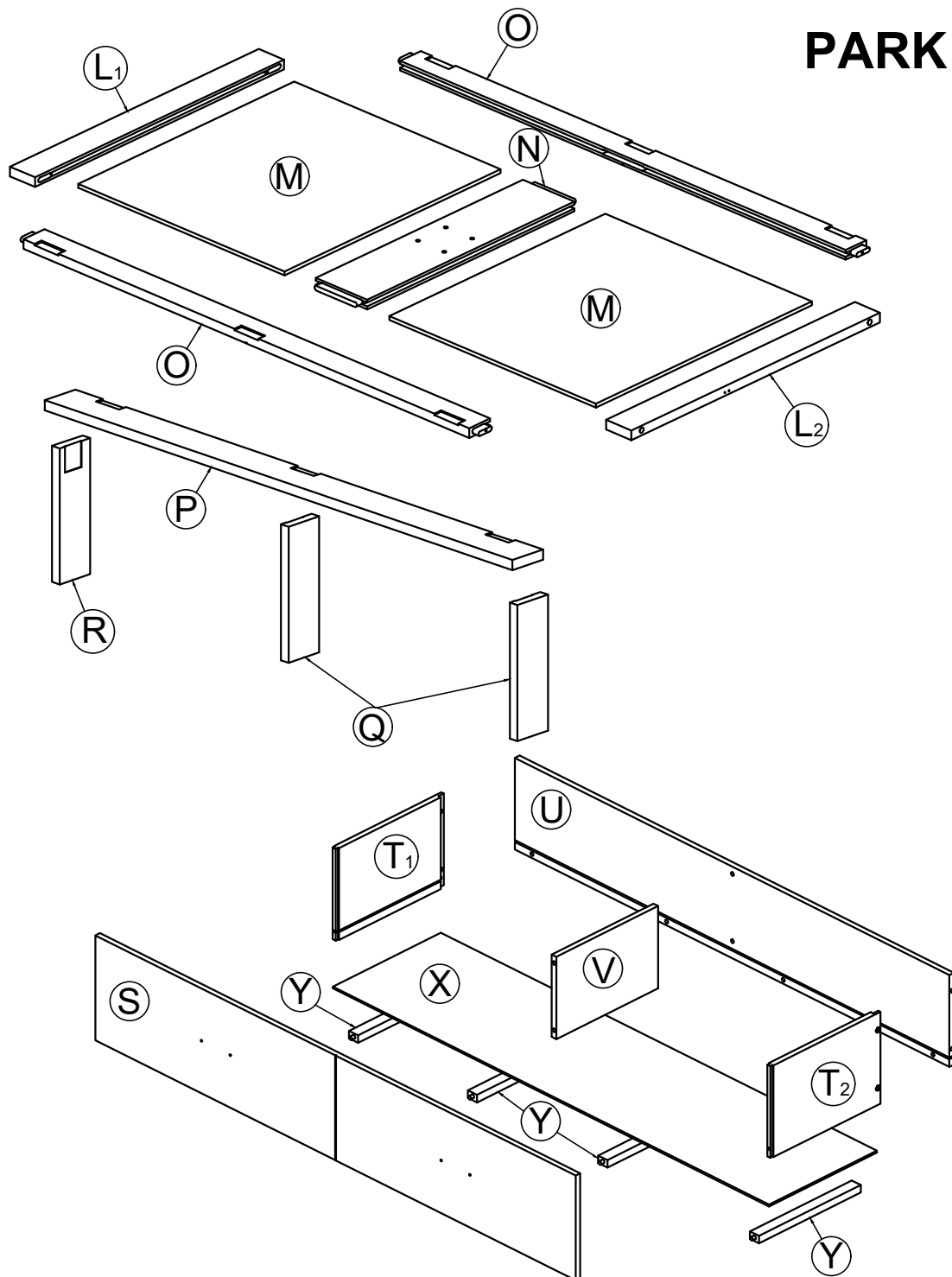
ASSEMBLY INSTRUCTIONS

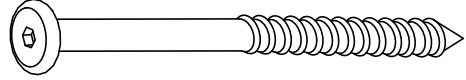

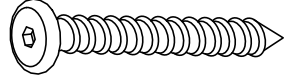
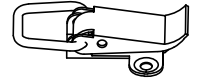
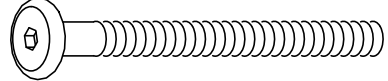
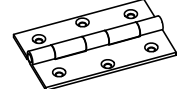
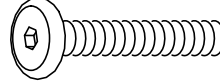

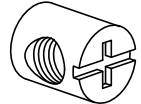
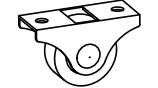
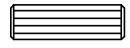



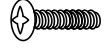


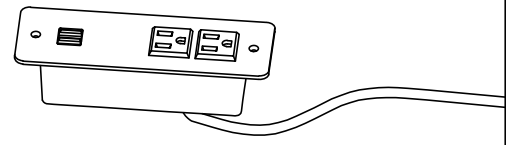
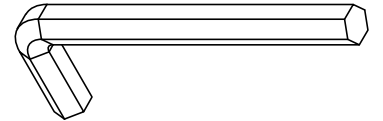
MURPHY BED FULL SIZE

WF308874/WF308875

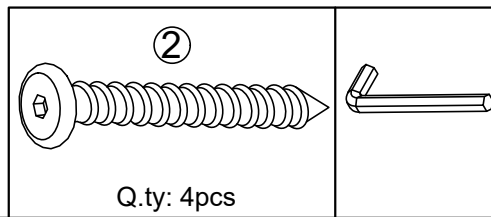
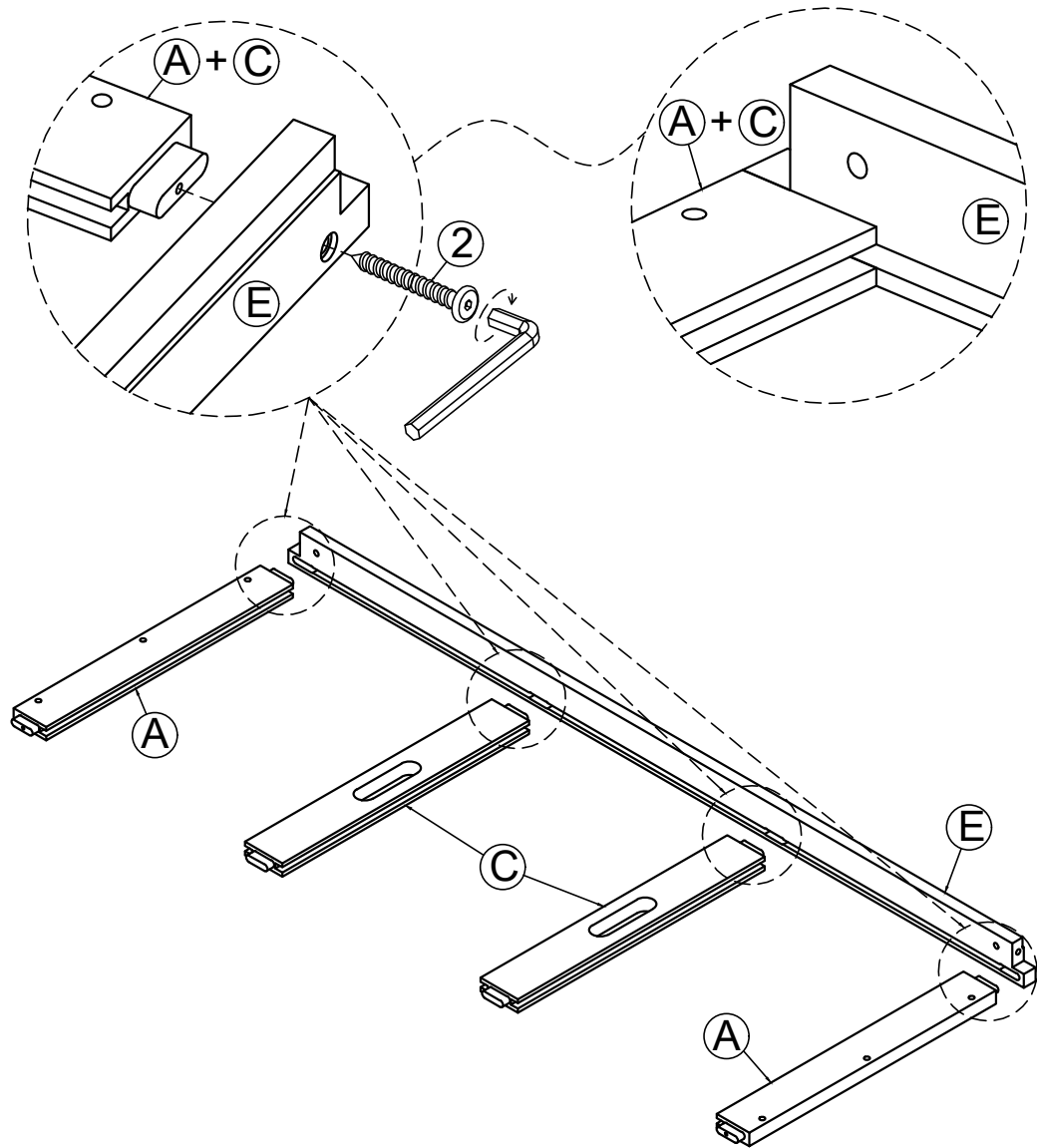


PARK LIST

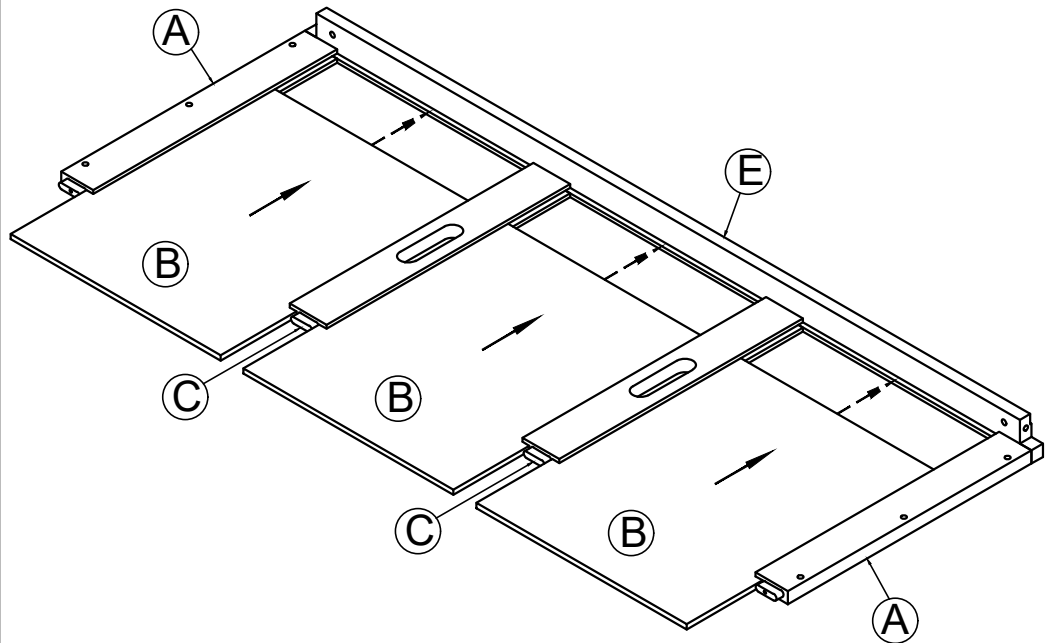


PARK LIST WF308874			PARK LIST WF308875			HARDWARE LIST			
		Q.ty			Q.ty				
(D)	Top front bar	01	(A)	Top left bar	02	(1)		(9)	
(E)	Top back bar	01	(B)	Top panel	03	(2)		(10)	
(G ₁)	Top back panel	01	(C)	Top mid bar	02	(3)		(11)	
(G ₂)	Mid back panel	01	(F ₁)	Top left side frame	01	(4)		(12)	
(G ₃)	Bottom back panel	01	(F ₂)	Top right side frame	01	(5)		(13)	
(H)	Back support bar	04	(I ₁)	Bottom left side frame	01	(6)		(14)	
(J)	Slat	03	(I ₂)	Bottom right side frame	01	(7)		(15)	
(K)	Front support bar	01	(M)	Door panel	02	(8a)		(16)	
(L ₁)	Right door bar	01	(N)	Mid door bar	01	(8b)		(17)	
(L ₂)	Left door bar	01	(Q)	Right leg	02	(18)			
(O)	Front, back door bar	02	(R)	Left leg	01				
(P)	Leg support bar	01	(T ₁)	Left panel drawer	01				
(S)	Front drawer	01	(T ₂)	Right panel drawer	01				
(U)	Back drawer	01	(V)	Mid panel drawer	01				
(X)	Bottom drawer	01	<div style="border: 1px solid black; width: 150px; height: 80px; margin: 0 auto; display: flex; align-items: center; justify-content: center;"> Hardware </div>						
(Y)	Bottom drawer support bar	04							

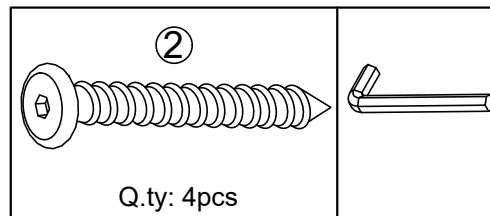
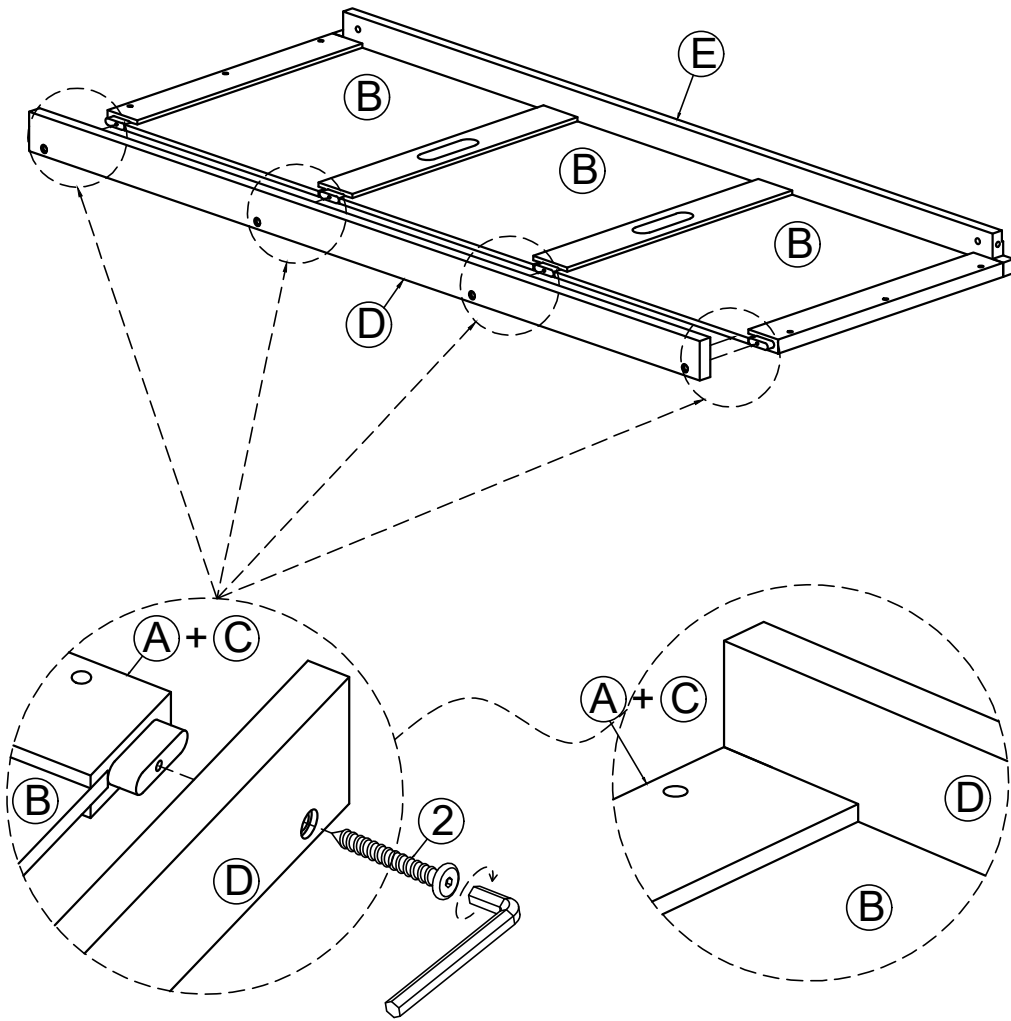
Step 1:



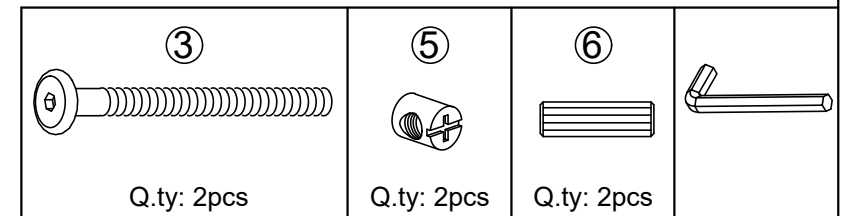
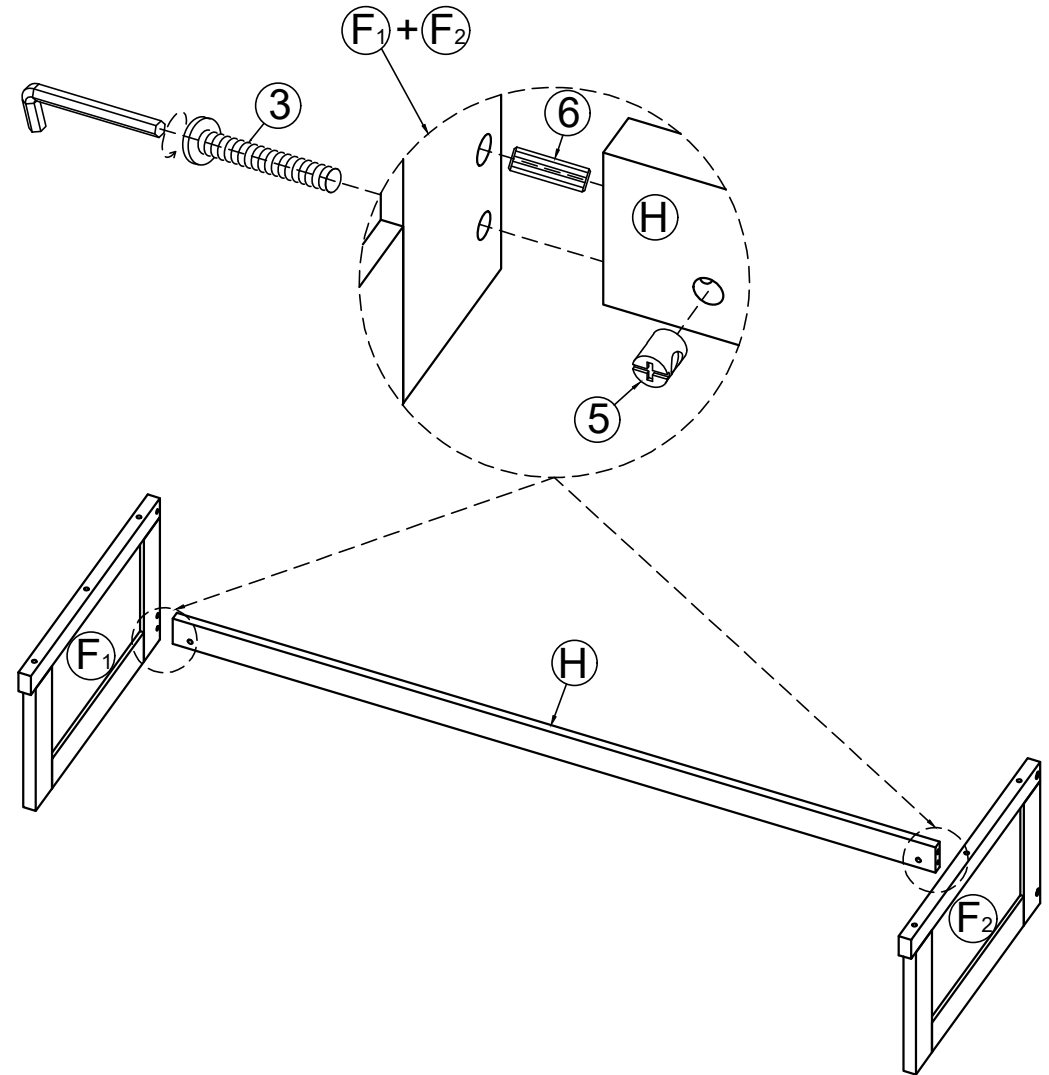
Step 2:



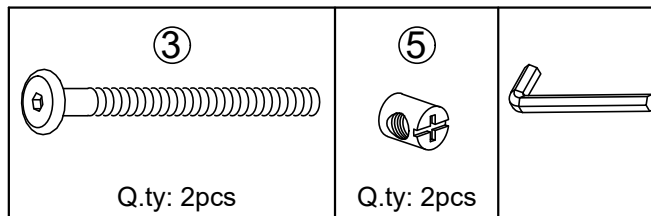
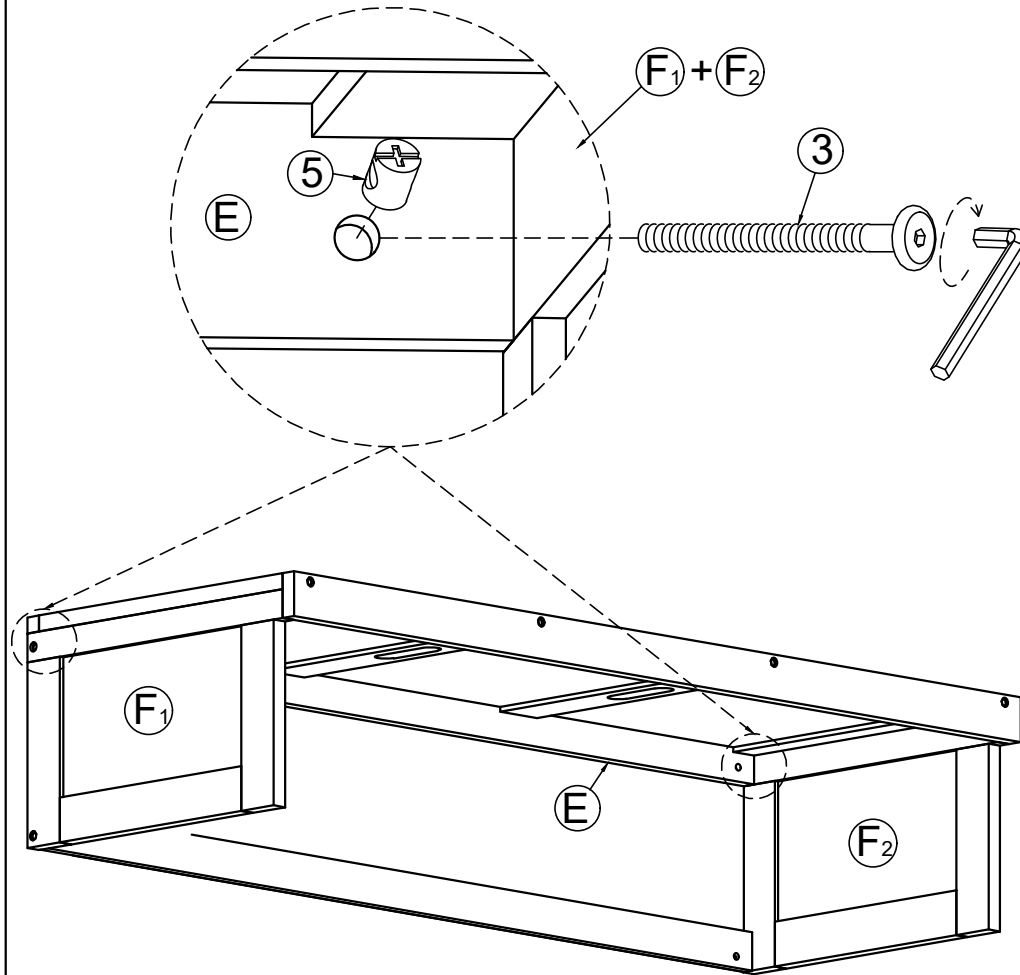
Step 3:



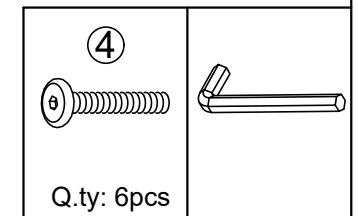
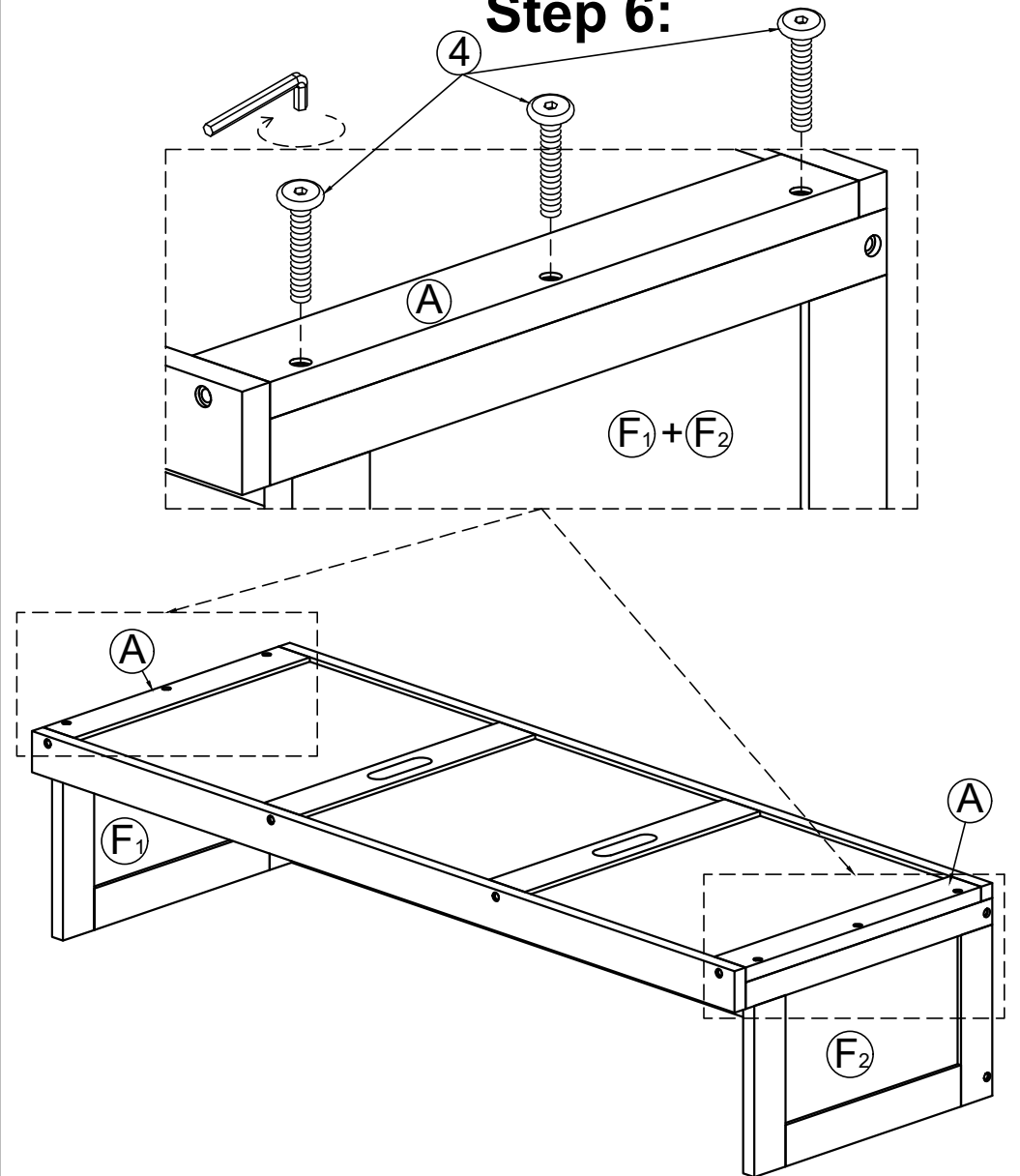
Step 4:



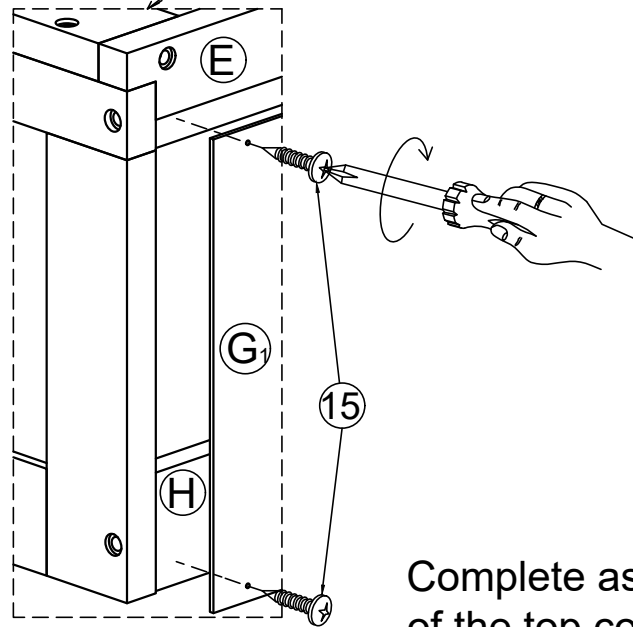
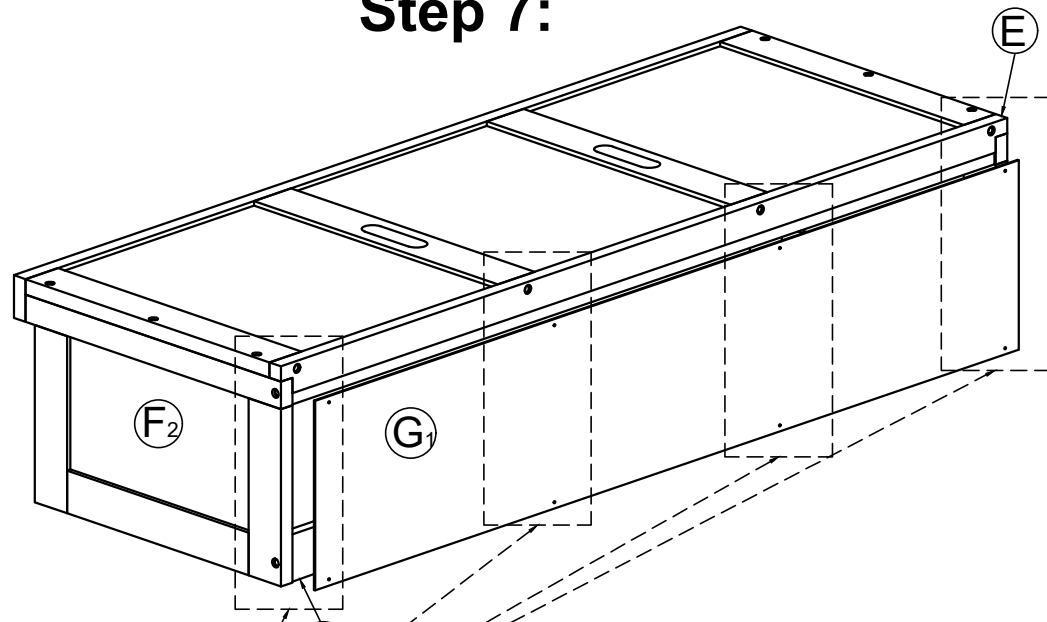
Step 5:



Step 6:



Step 7:



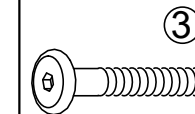
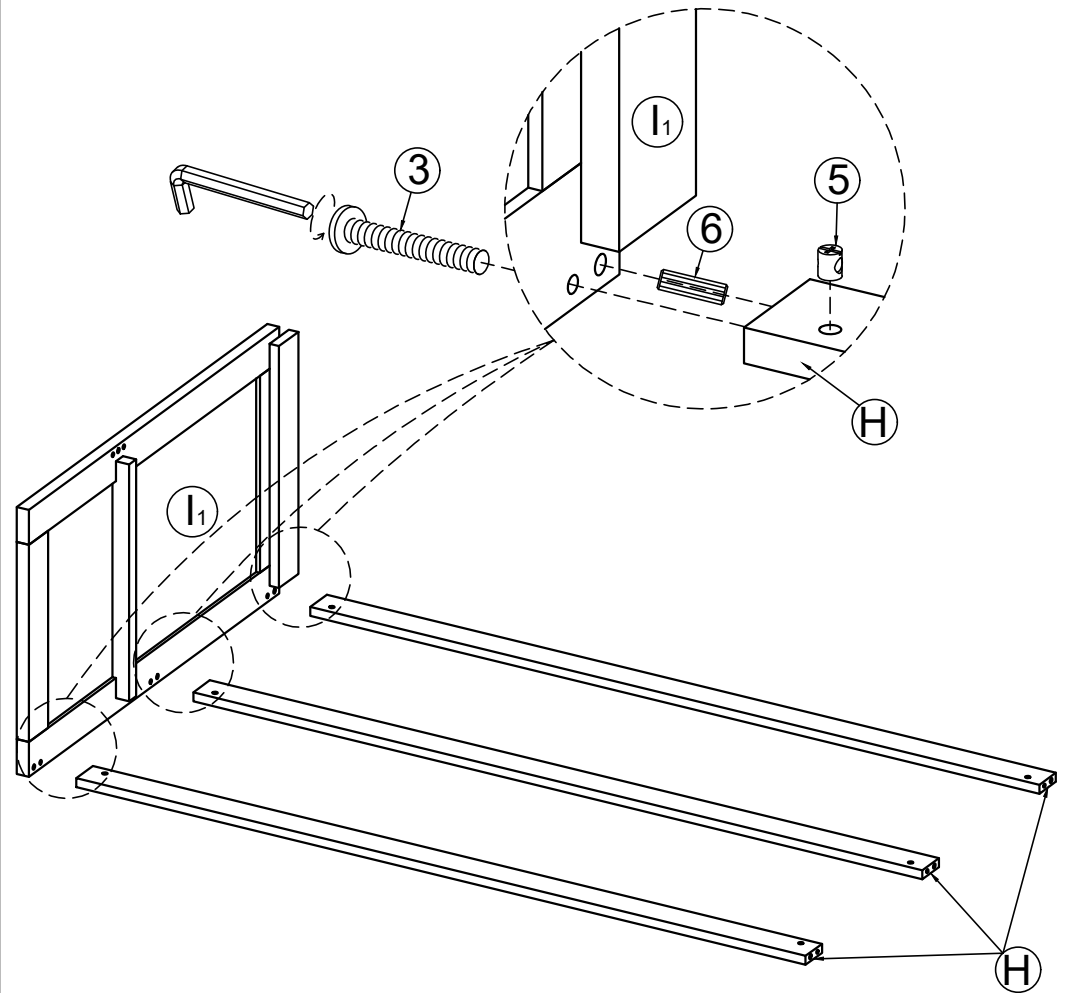
Complete assembly
of the top component

15



Q.ty: 8pcs

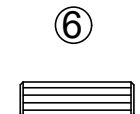
Step 8:



Q.ty: 3pcs



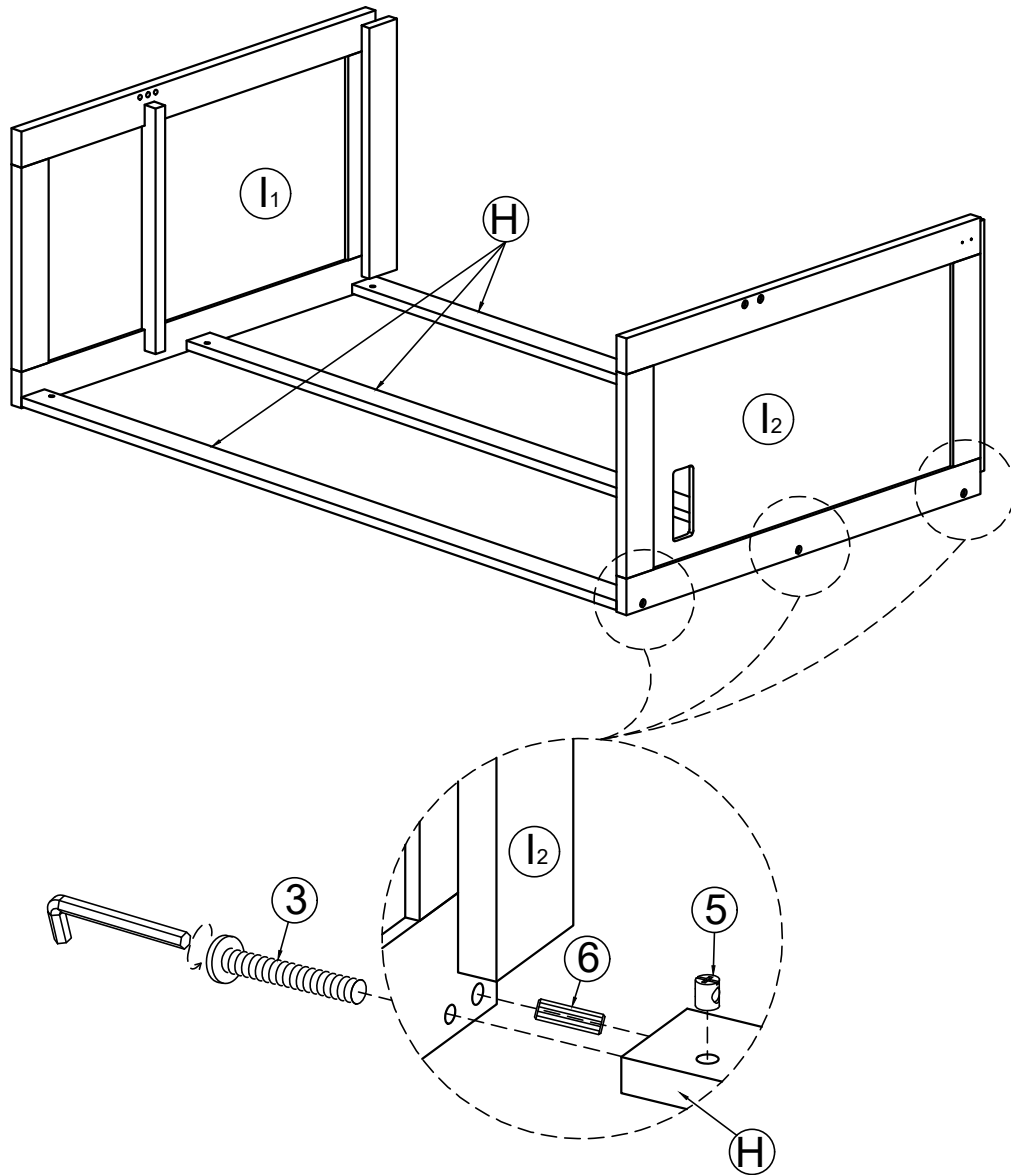
Q.ty: 3pcs



Q.ty: 3pcs

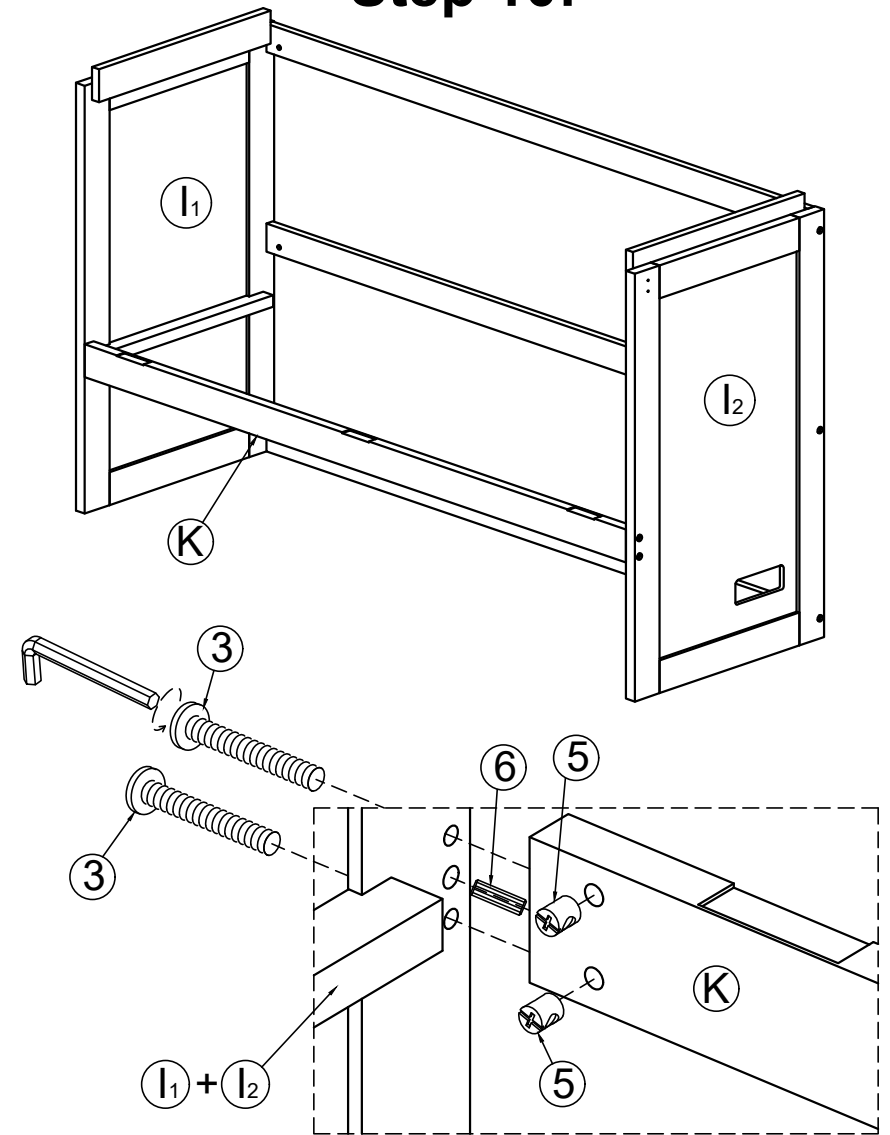


Step 9:



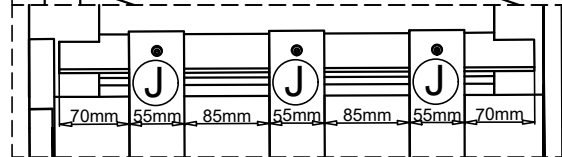
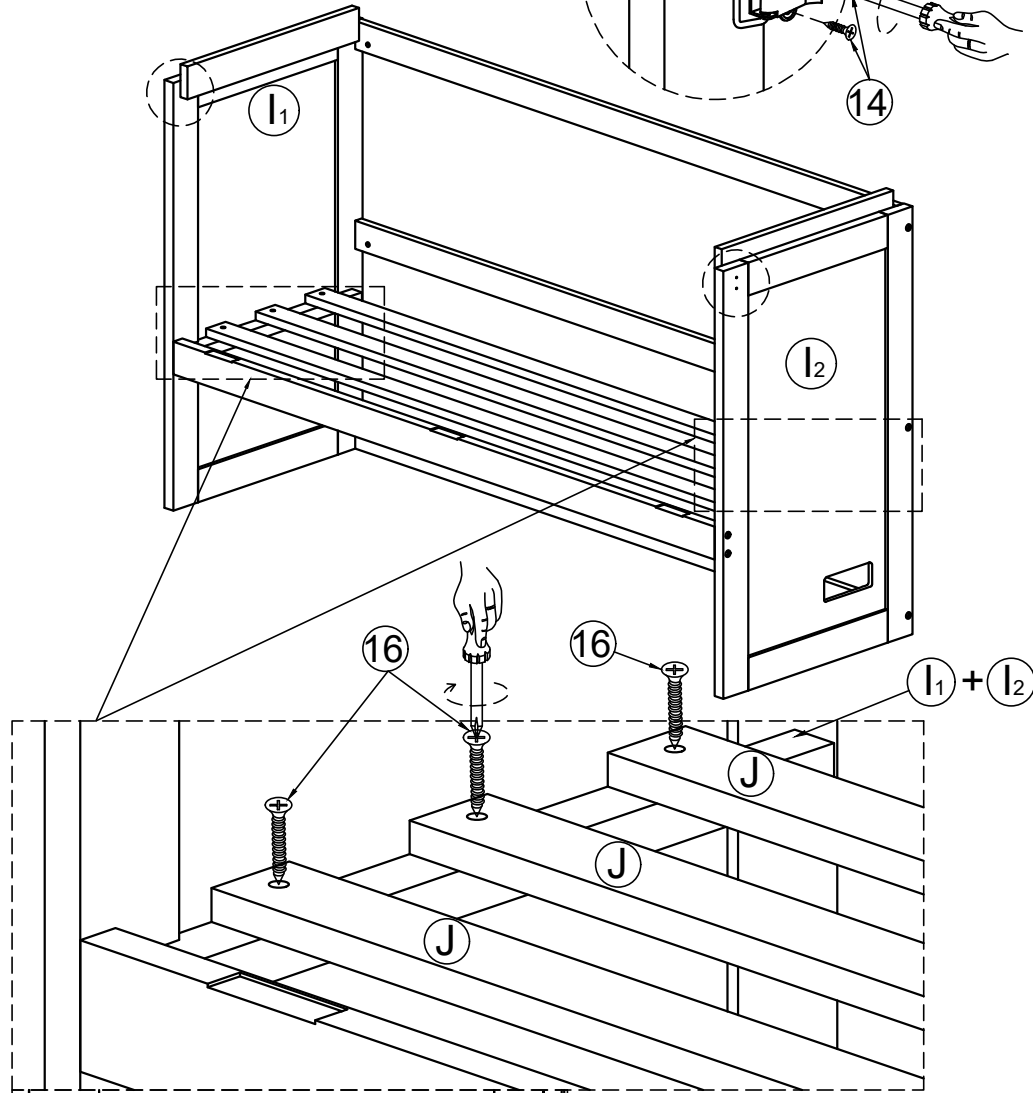
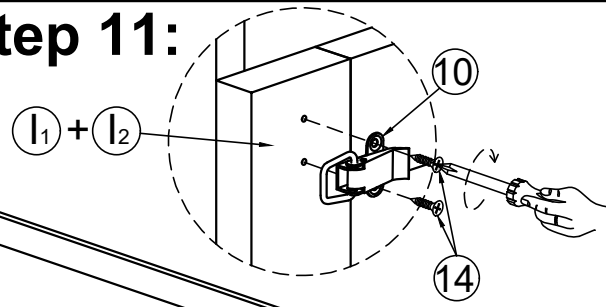
<p>③</p>	<p>⑤</p>	<p>⑥</p>	
<p>Q.ty: 3pcs</p>	<p>Q.ty: 3pcs</p>	<p>Q.ty: 3pcs</p>	

Step 10:



<p>③</p>	<p>⑤</p>	<p>⑥</p>	
<p>Q.ty: 4pcs</p>	<p>Q.ty: 4pcs</p>	<p>Q.ty: 2pcs</p>	

Step 11:



10

 Q.ty: 2pcs

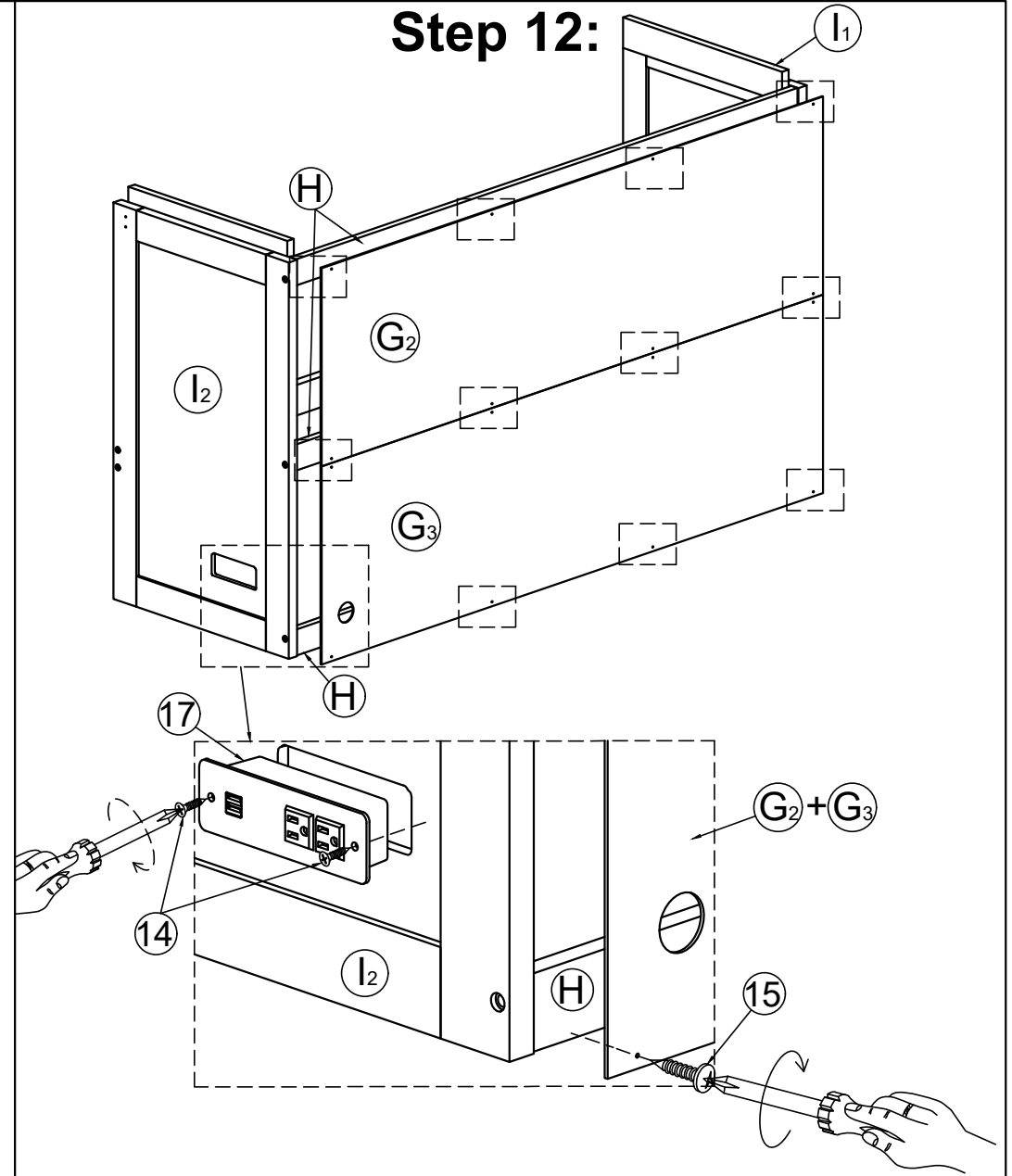
14

 Q.ty: 4pcs

16

 Q.ty: 6pcs

Step 12:



14

 Q.ty: 2pcs

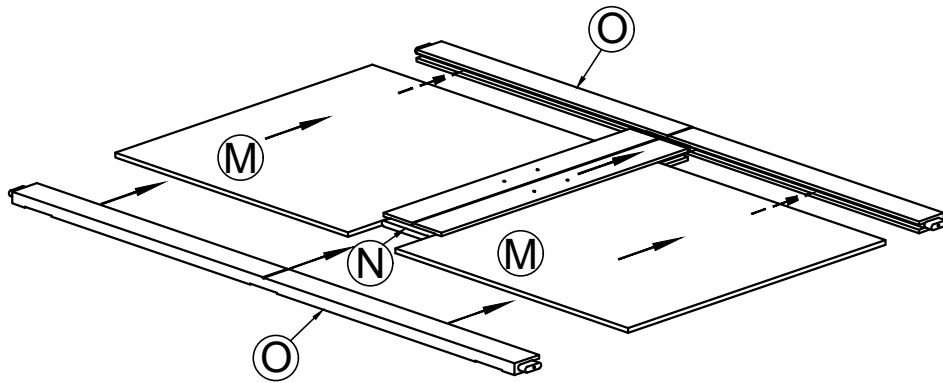
15

 Q.ty: 16pcs

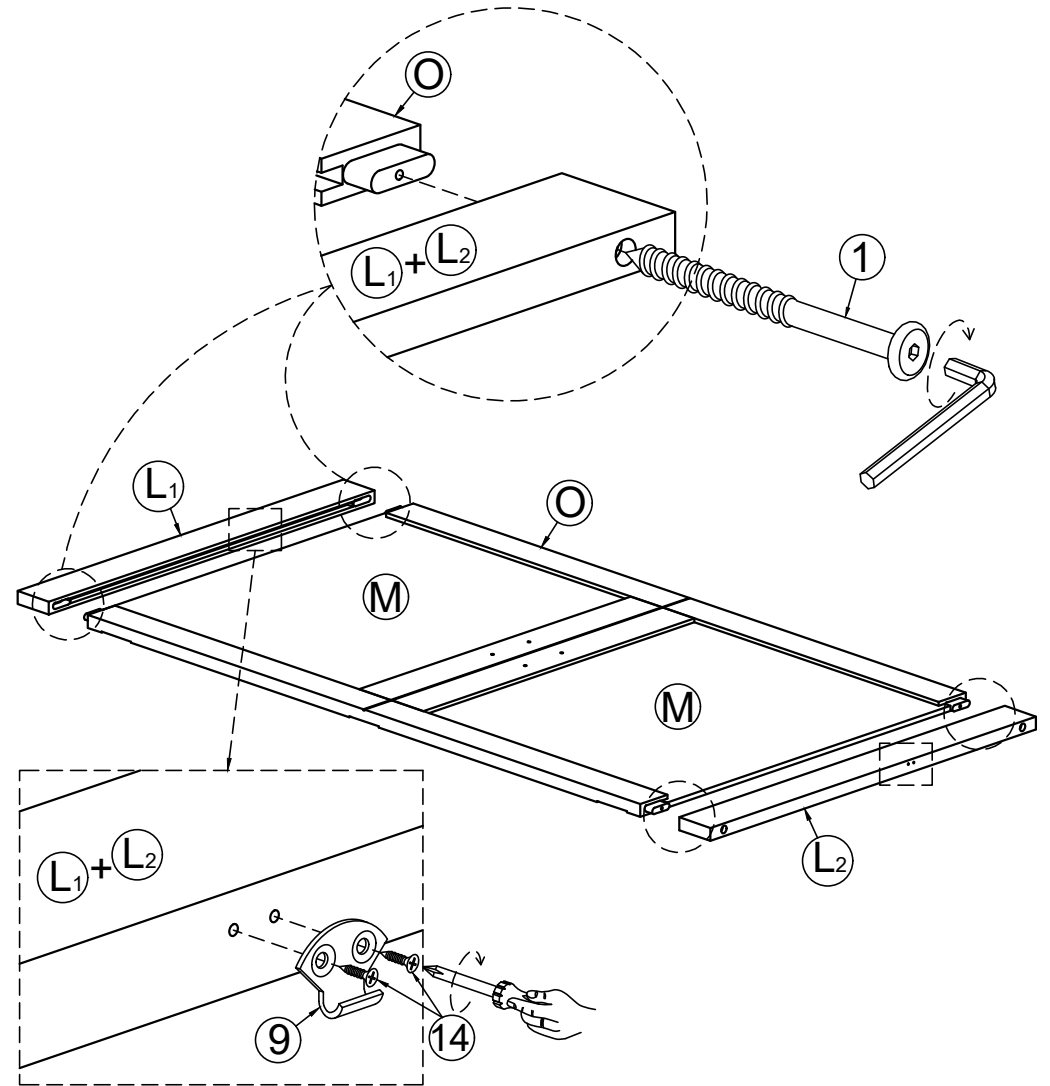
17

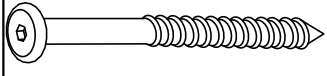



 Q.ty: 1pc

Step 13:

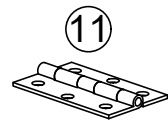
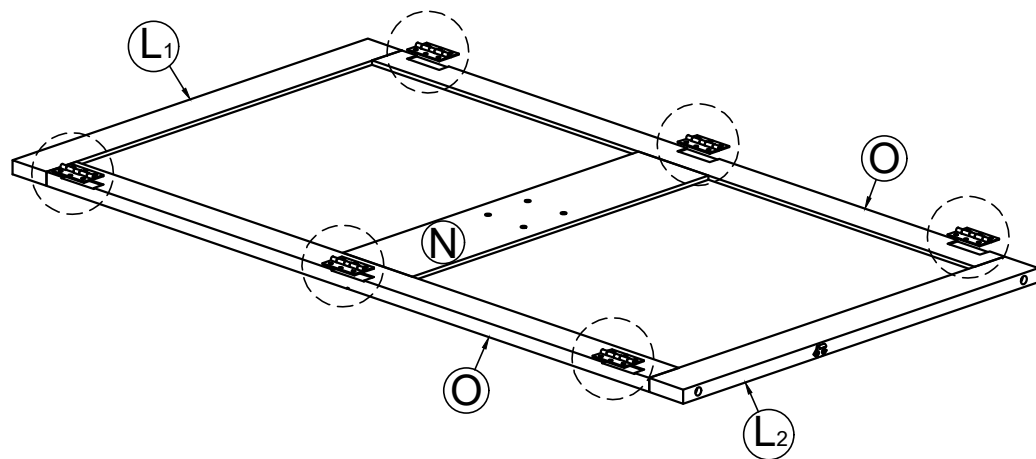
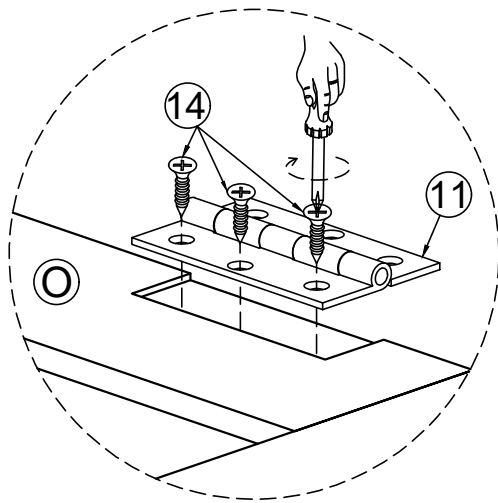


Step 14:



			
<p>Q.ty: 4pcs</p>	<p>Q.ty: 2pcs</p>	<p>Q.ty: 4pcs</p>	

Step 15:

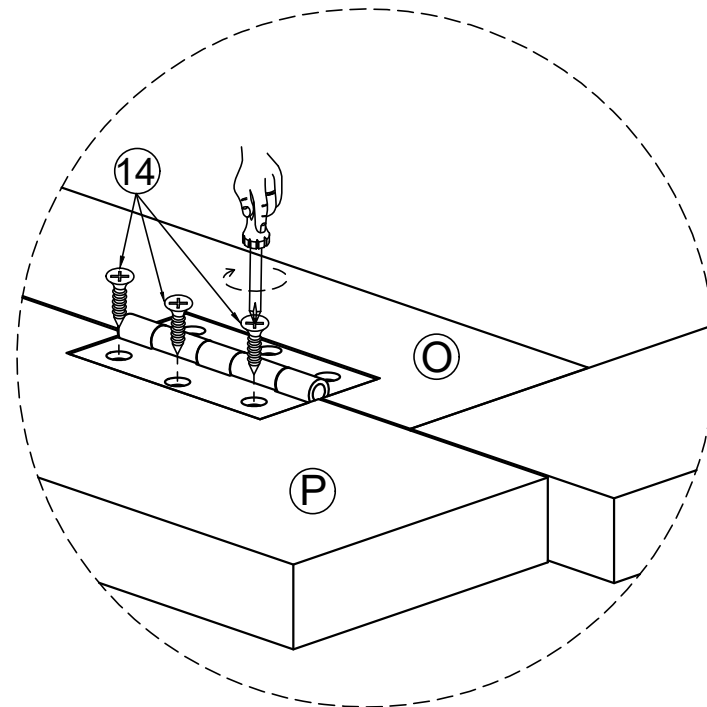
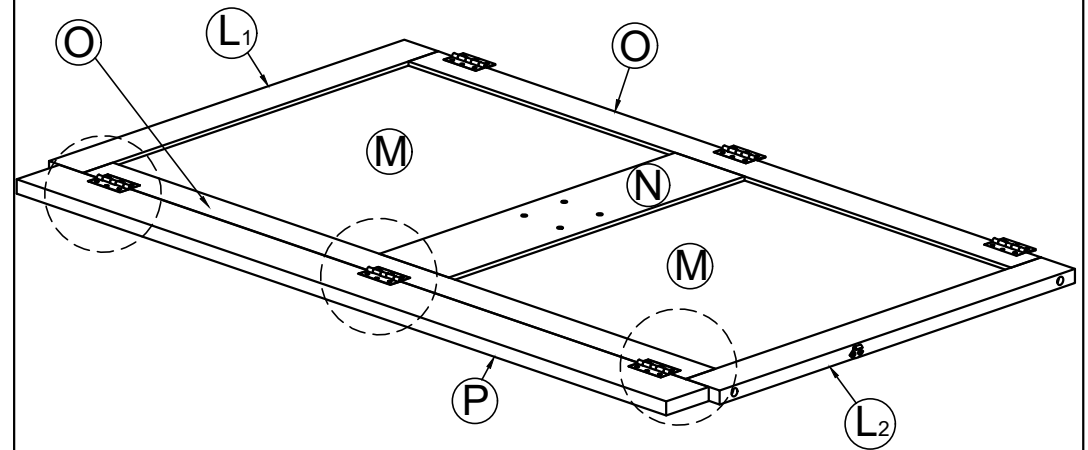


Q.ty: 6pcs



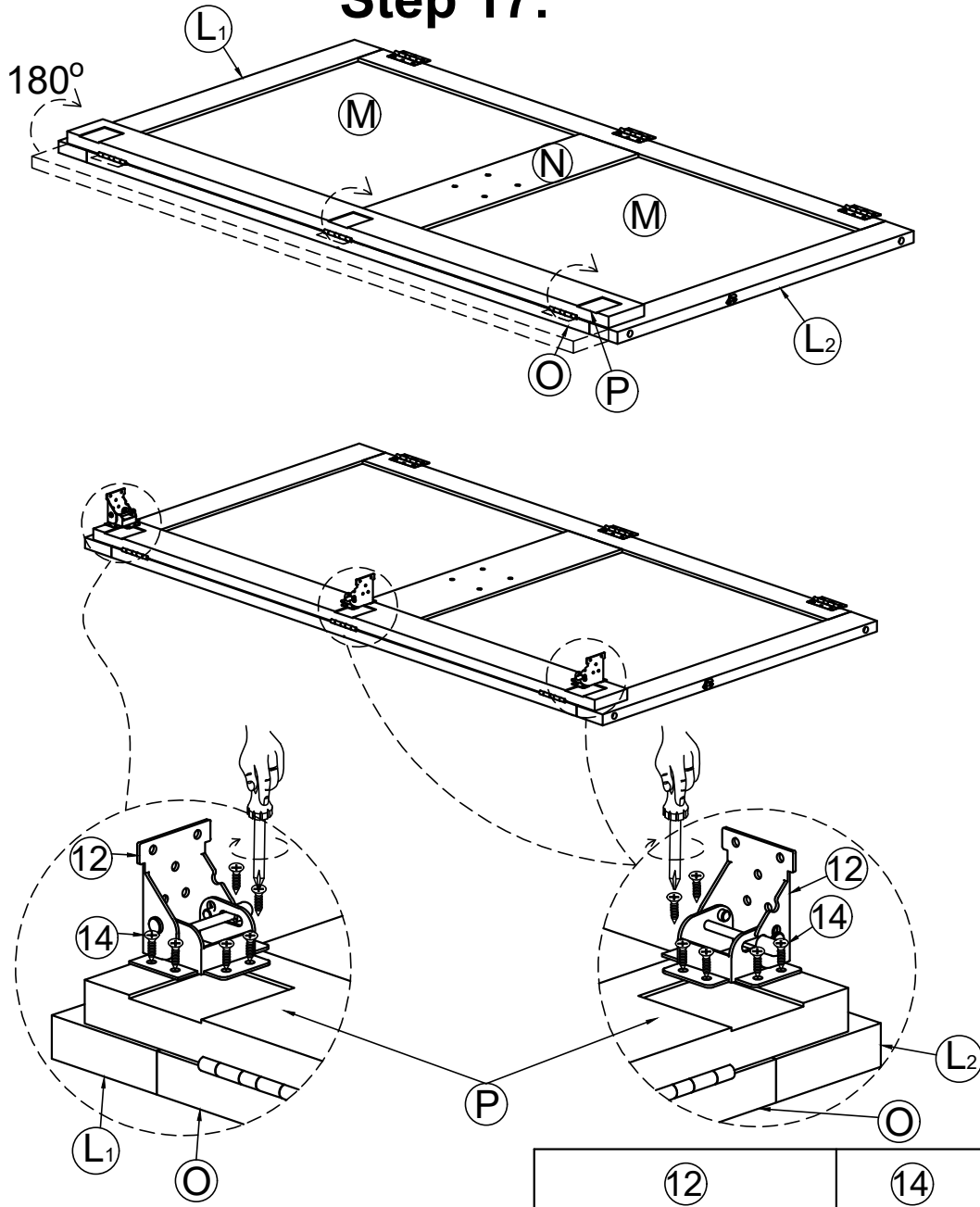
Q.ty: 18pcs

Step 16:



Q.ty: 9pcs

Step 17:

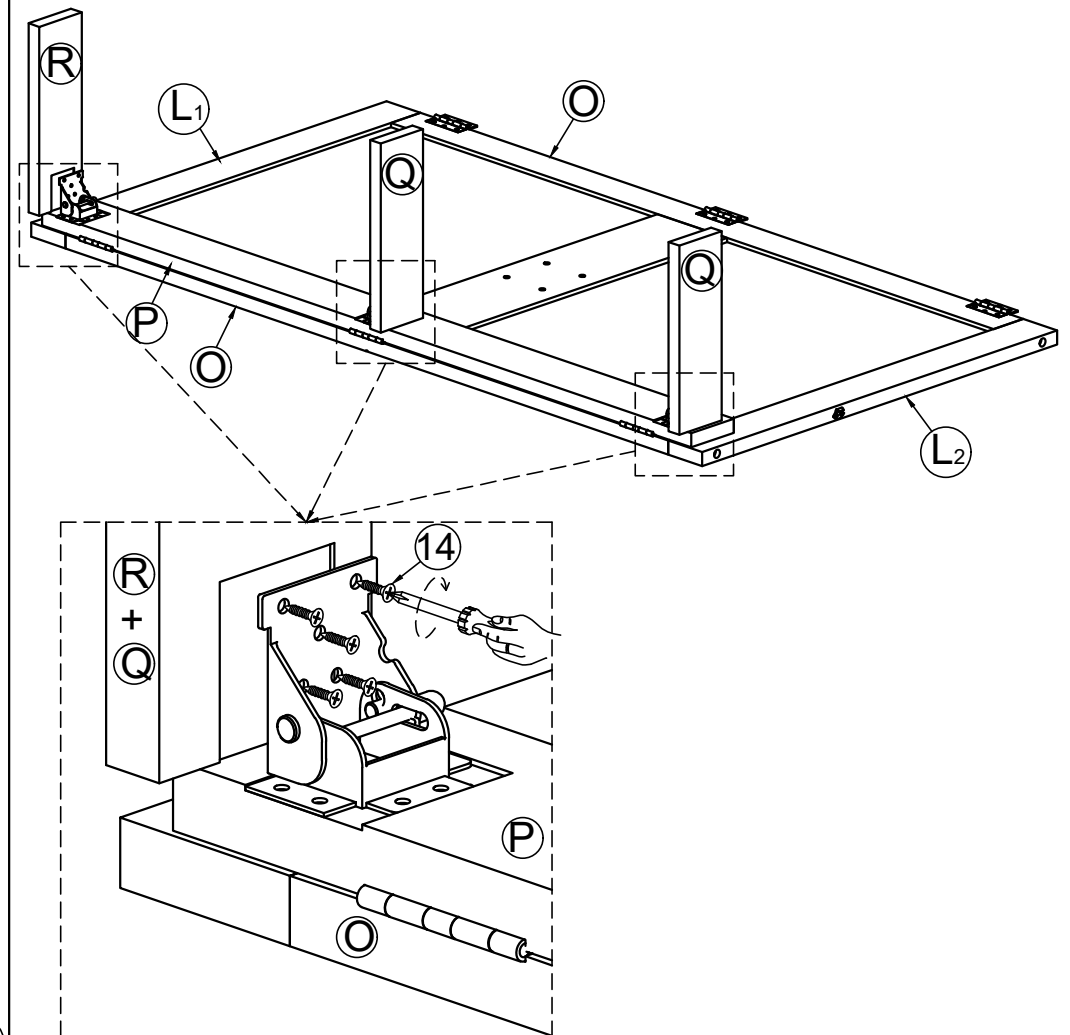


Q.ty: 3pcs



Q.ty: 18pcs

Step 18:

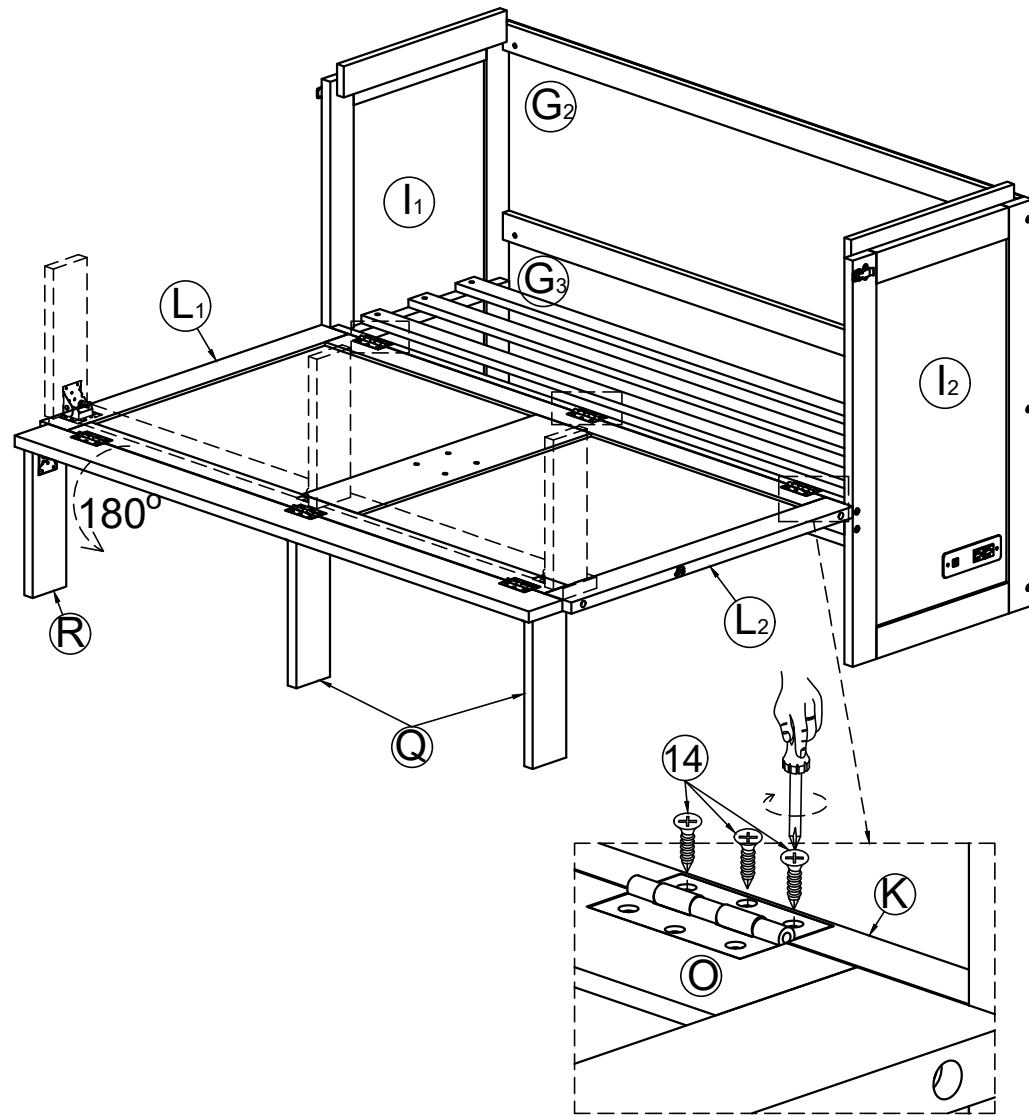


14



Q.ty: 15pcs

Step 19:

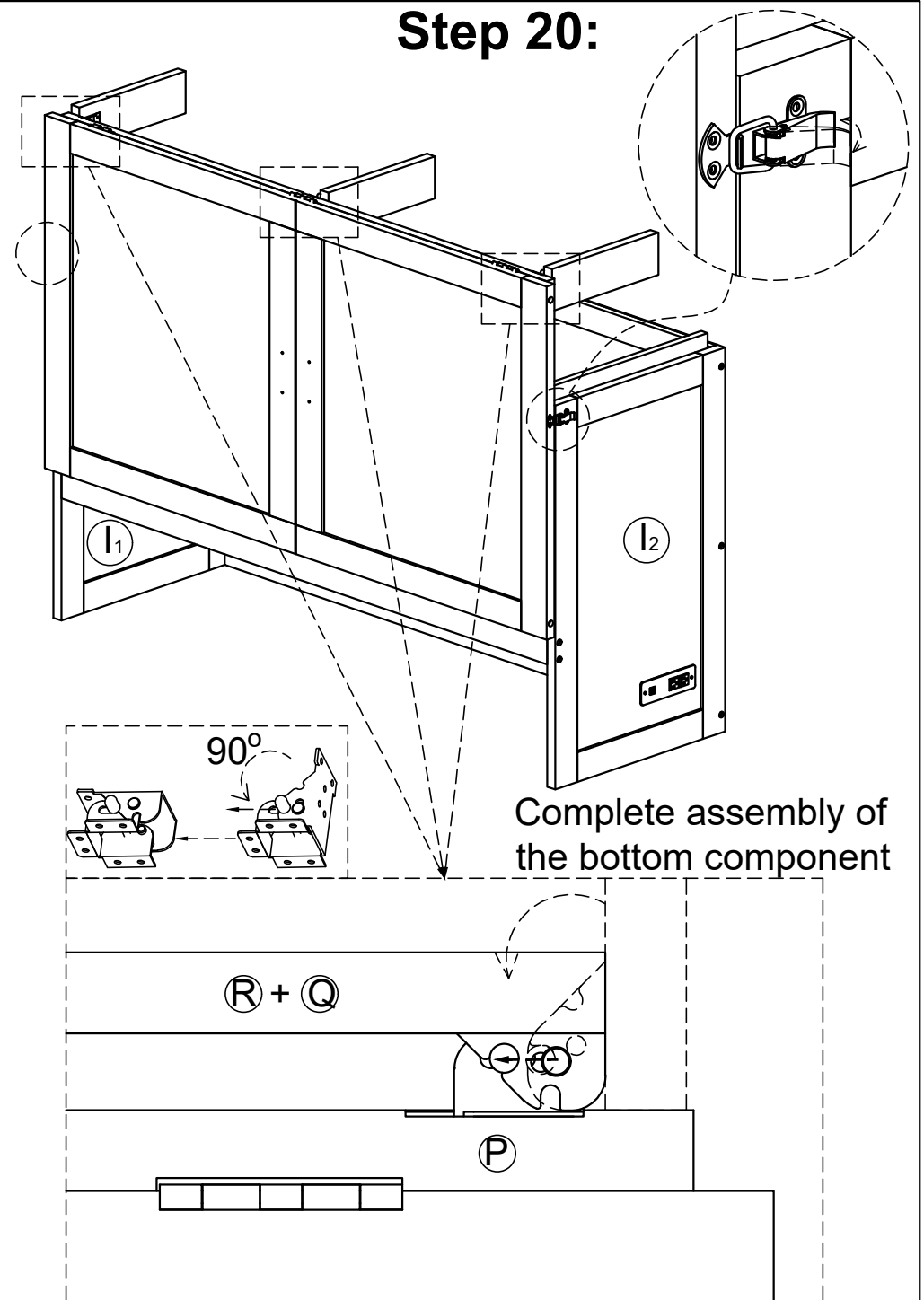


14

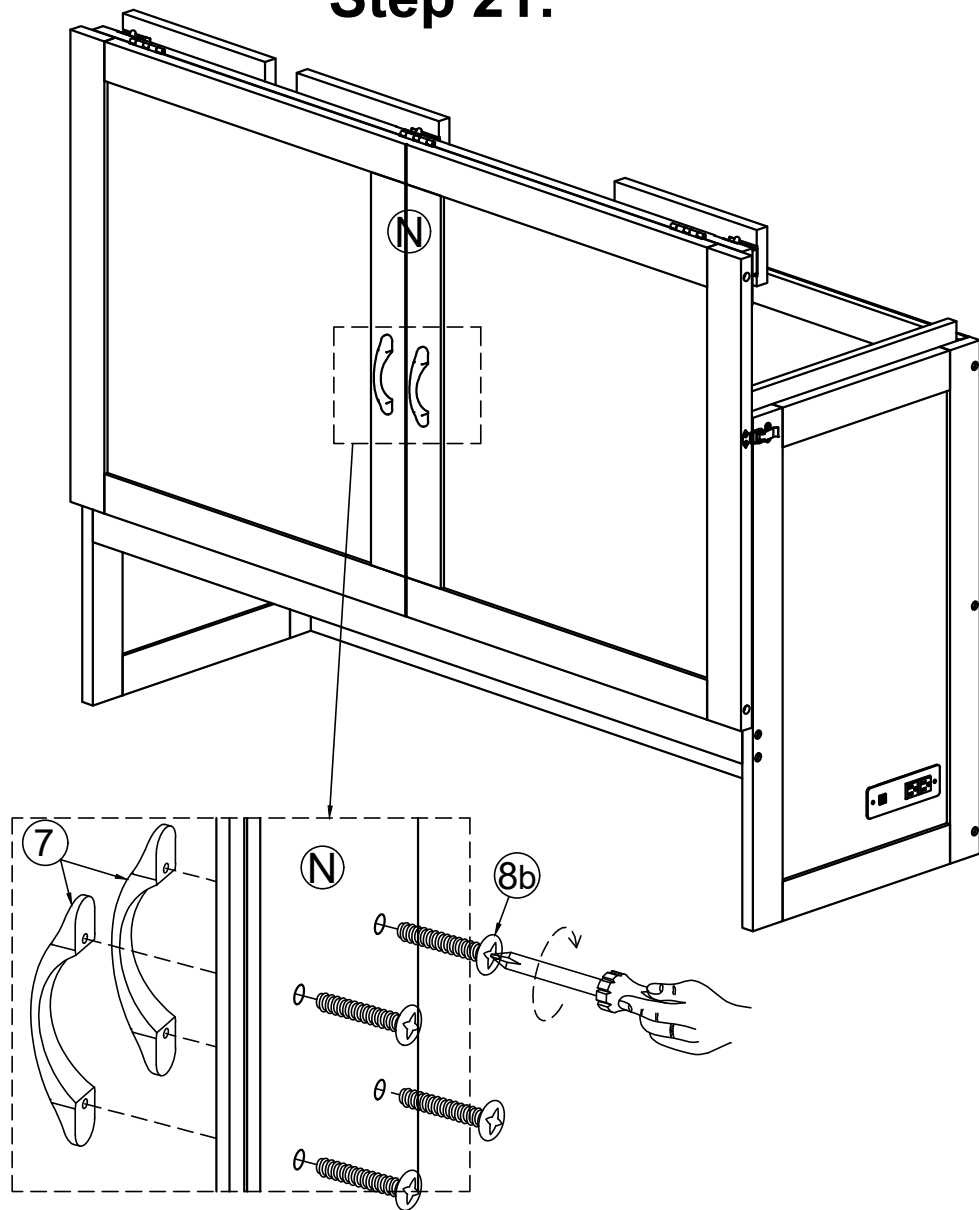


Q.ty: 9pcs

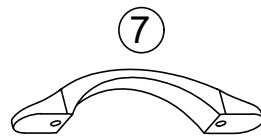
Step 20:



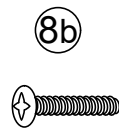
Step 21:



Complete assembly of
the bottom component

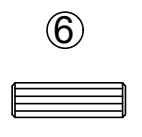
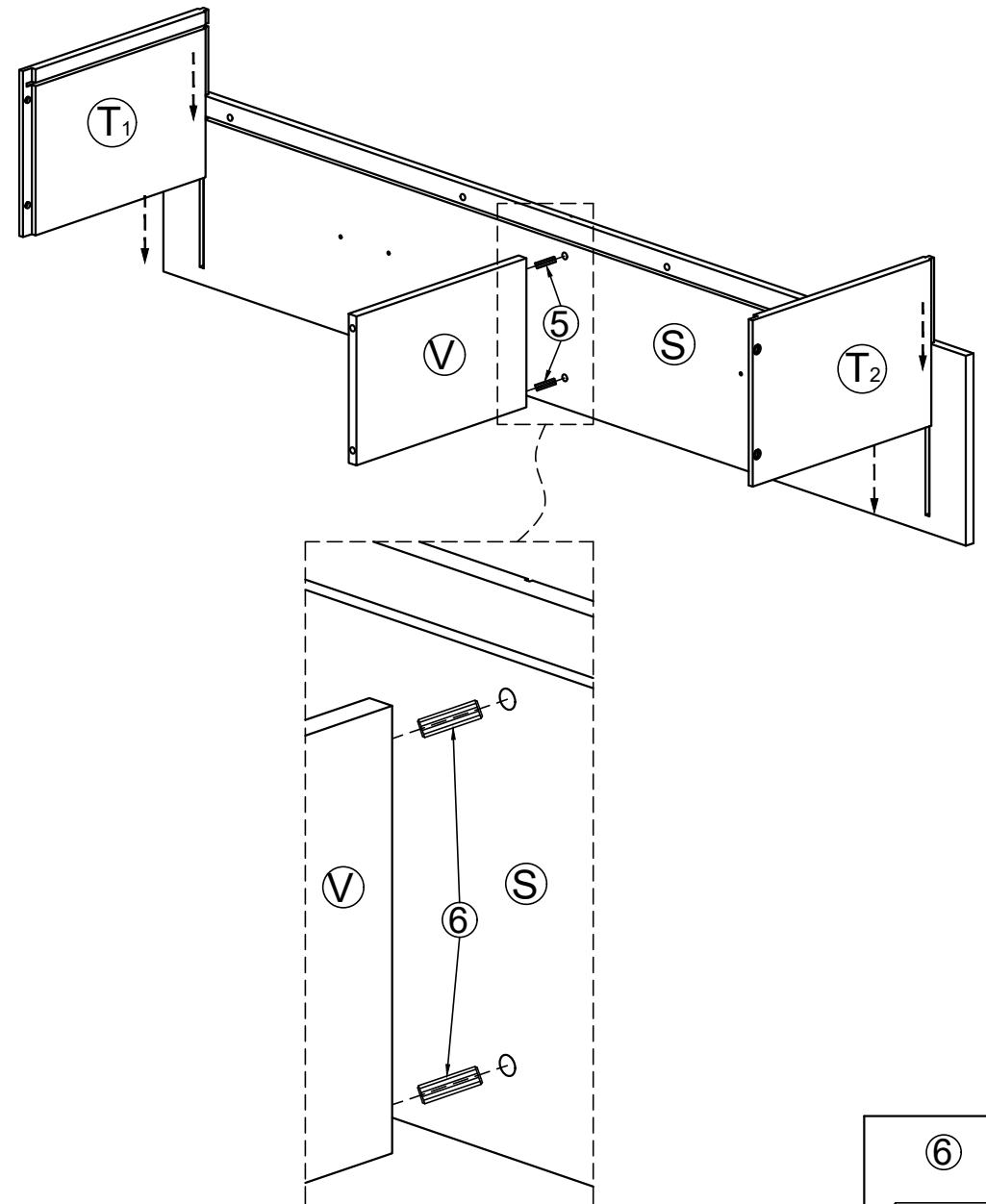


Q.ty: 2pcs



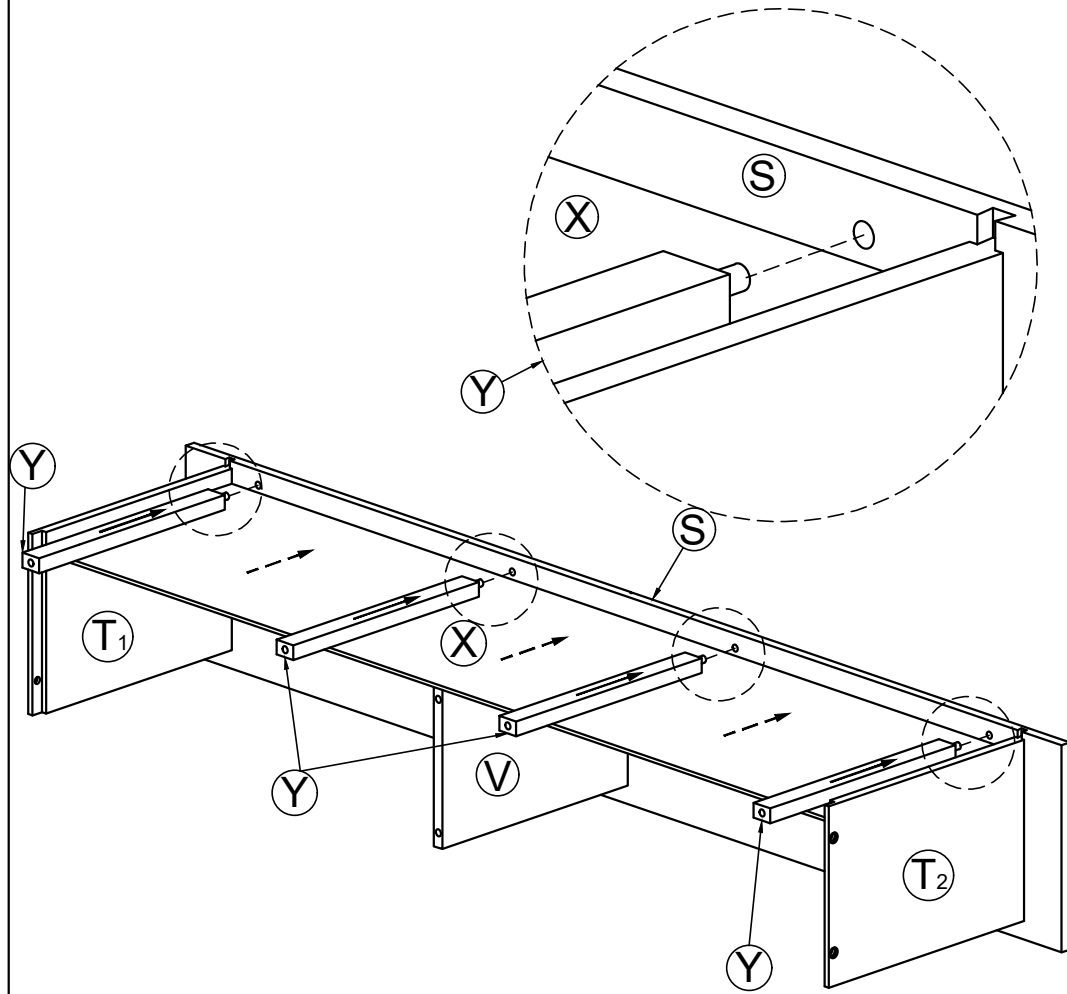
Q.ty: 4pcs

Step 22:

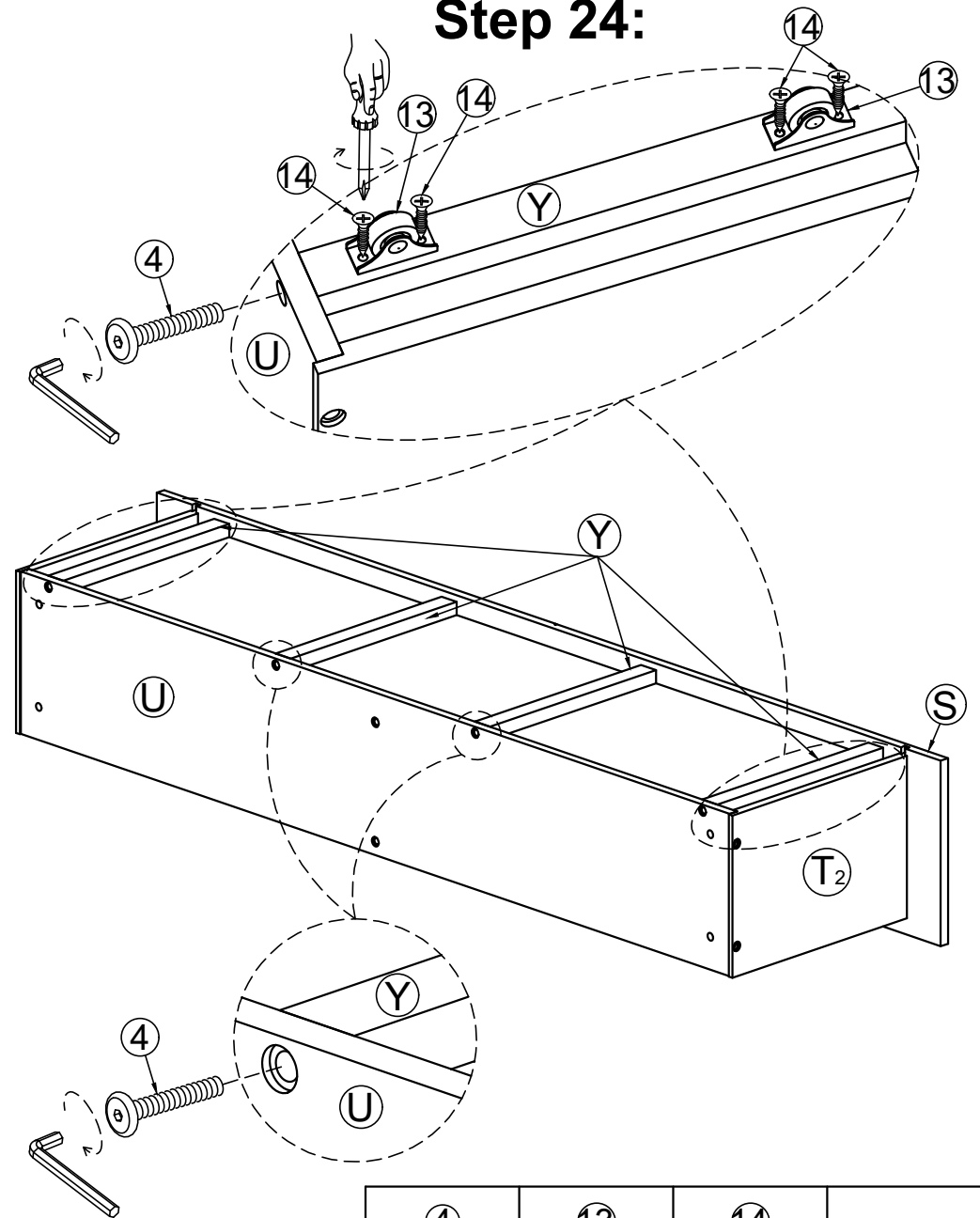


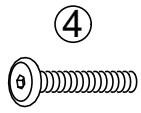
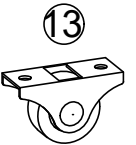
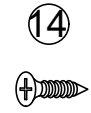

Q.ty: 2pcs

Step 23:

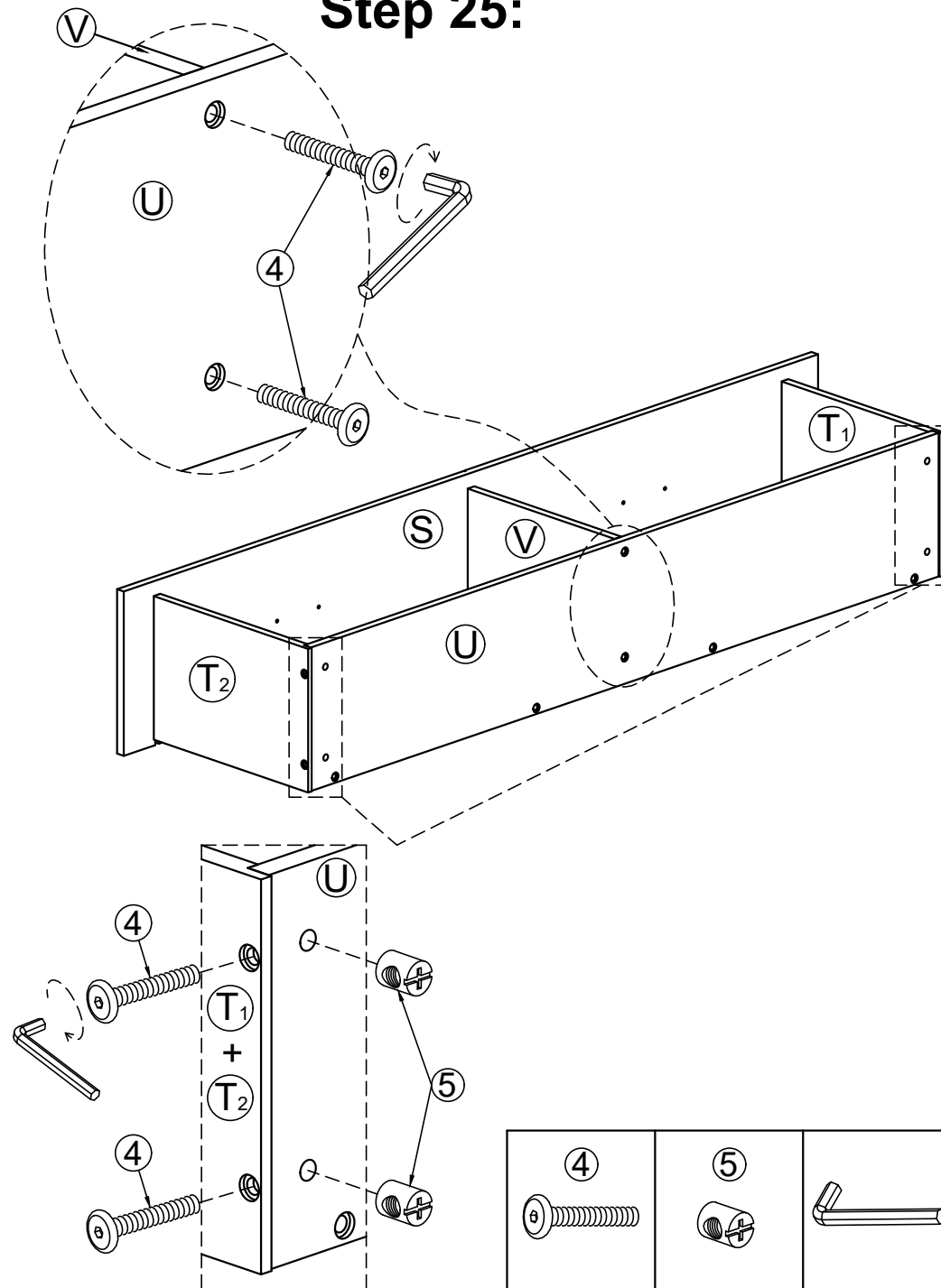


Step 24:

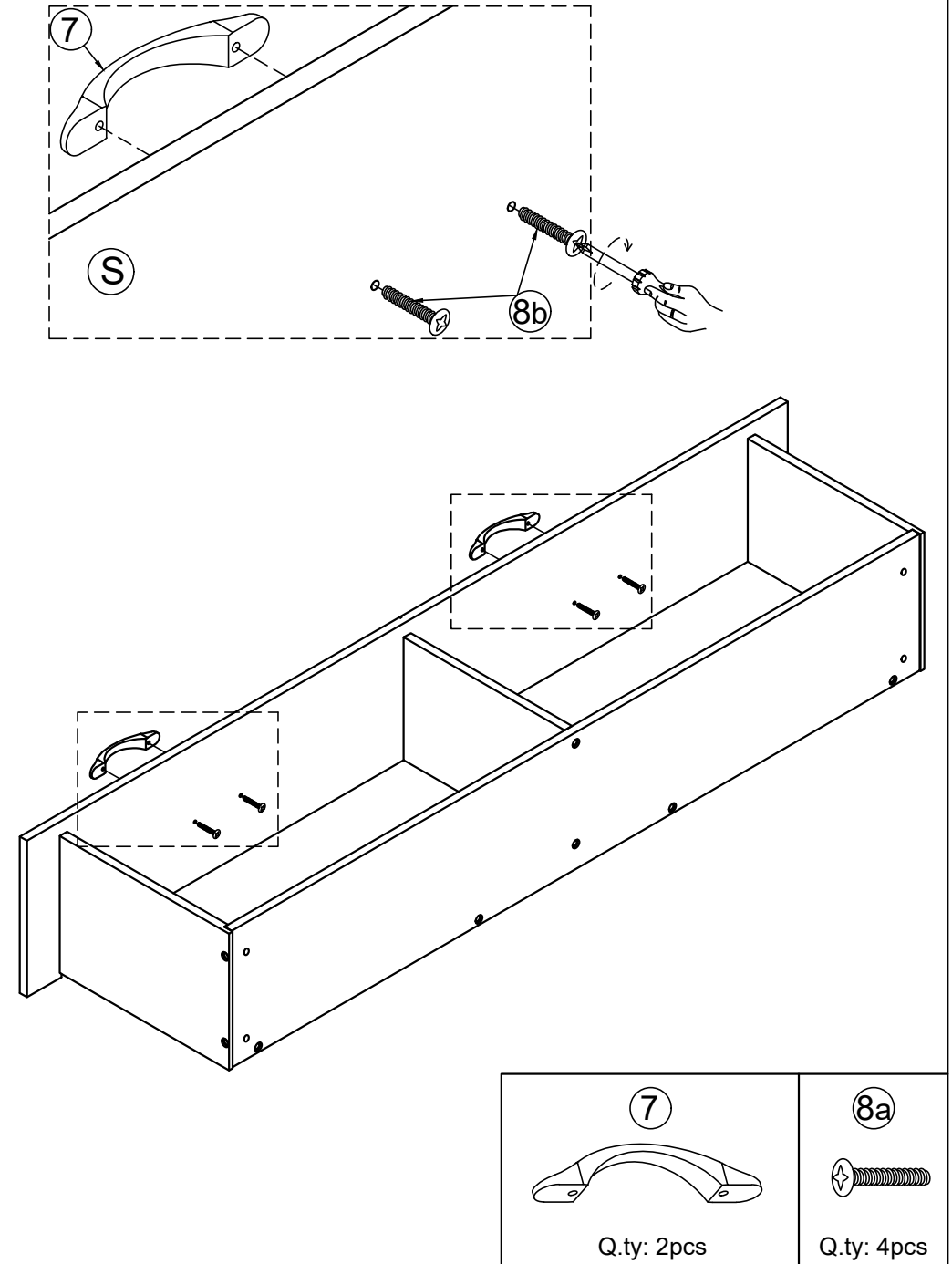


			
Q.ty: 4pcs	Q.ty: 4pcs	Q.ty: 8pcs	

Step 25:

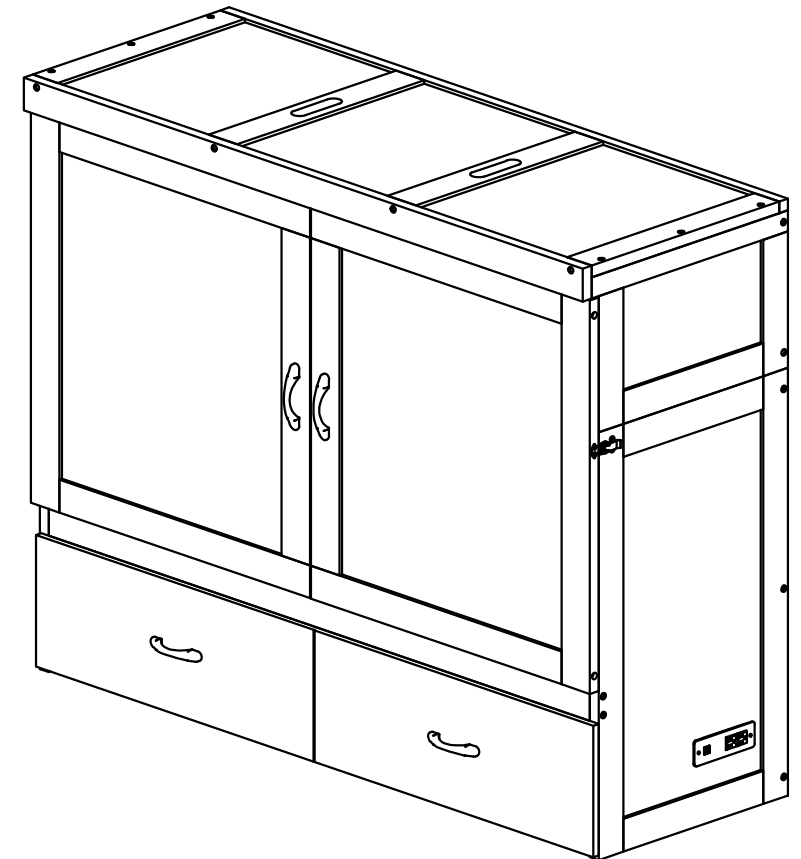
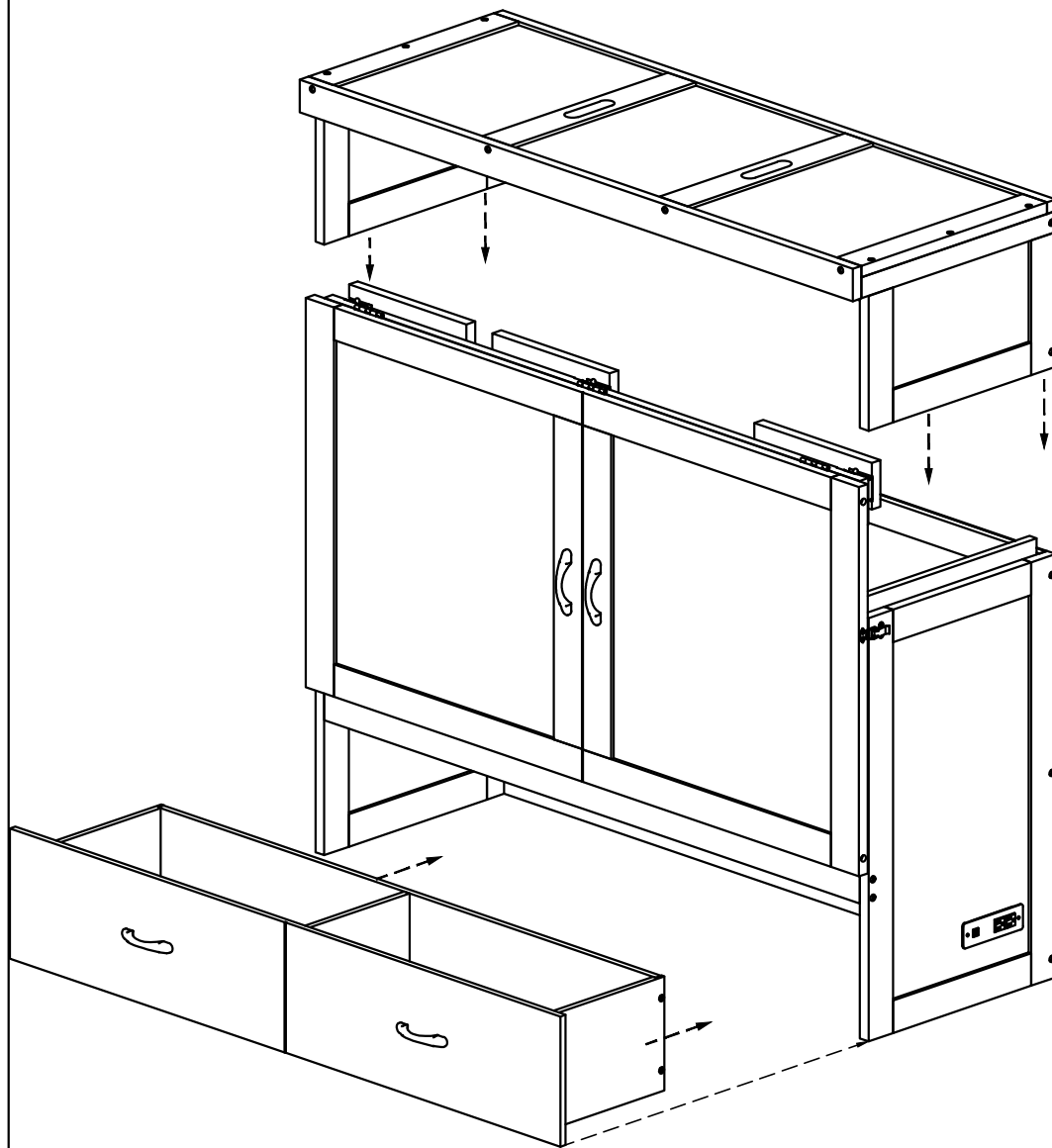


Step 26:

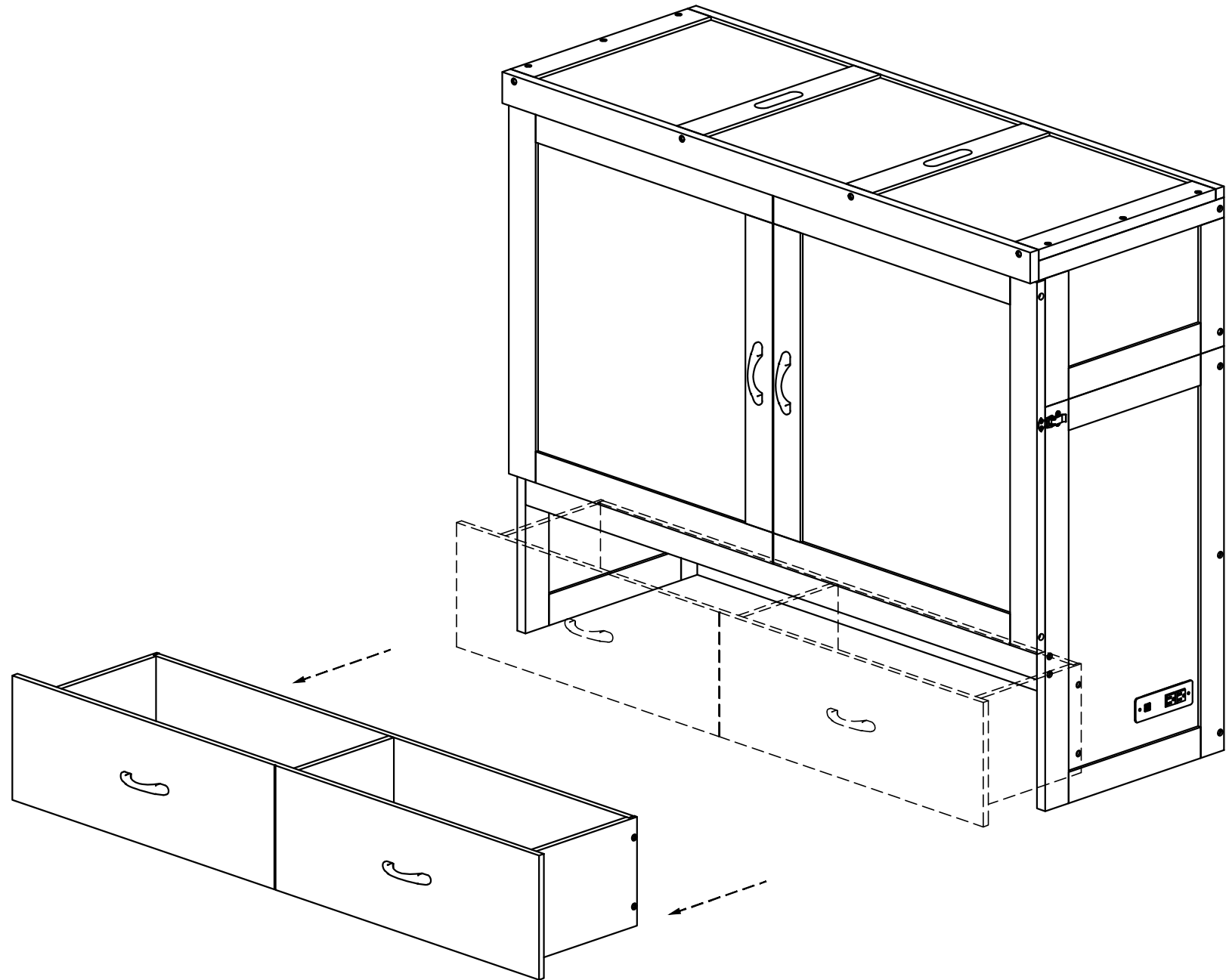


Step 27:

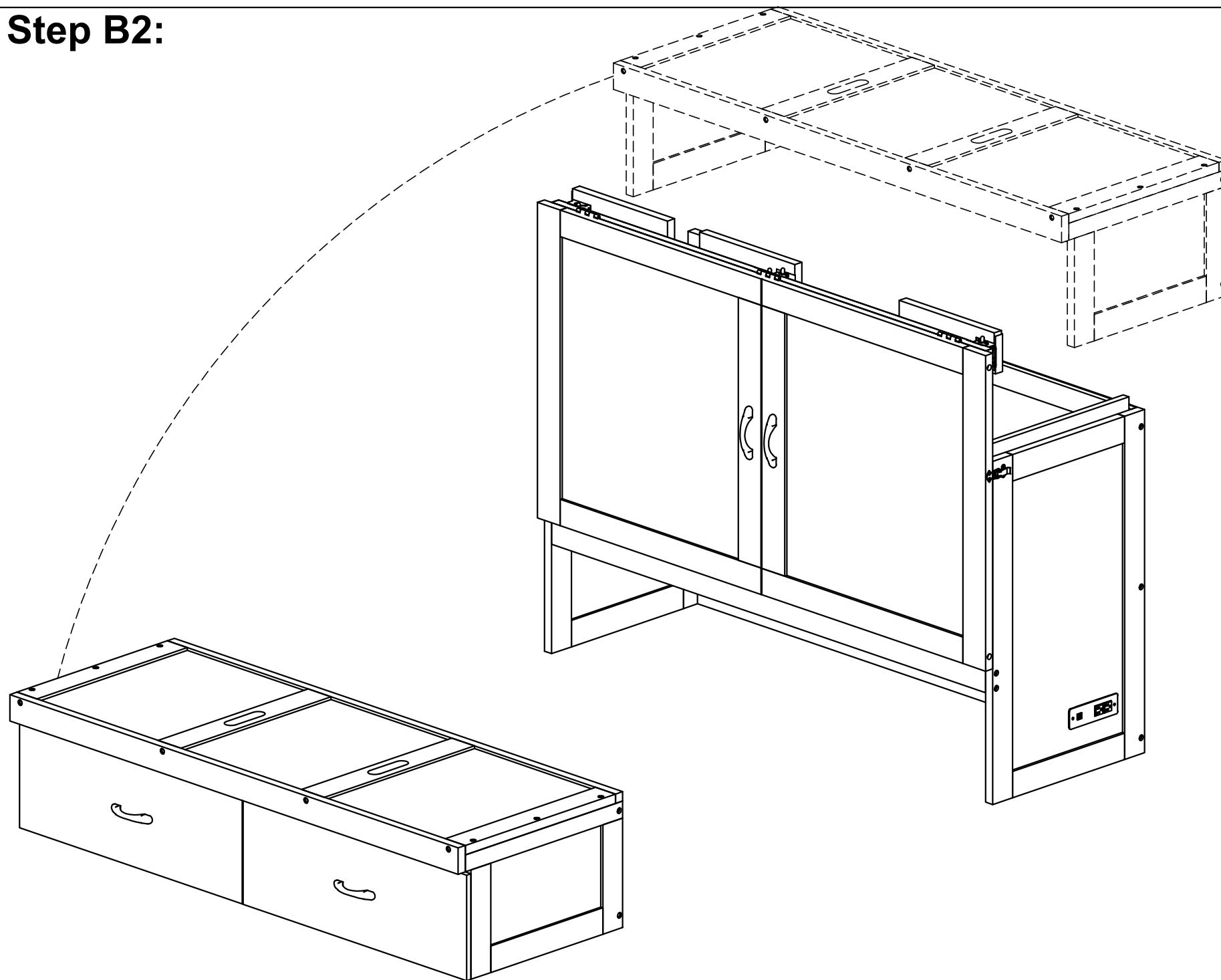
COMPLETE OF THE CABINET OPTION



Step B1:

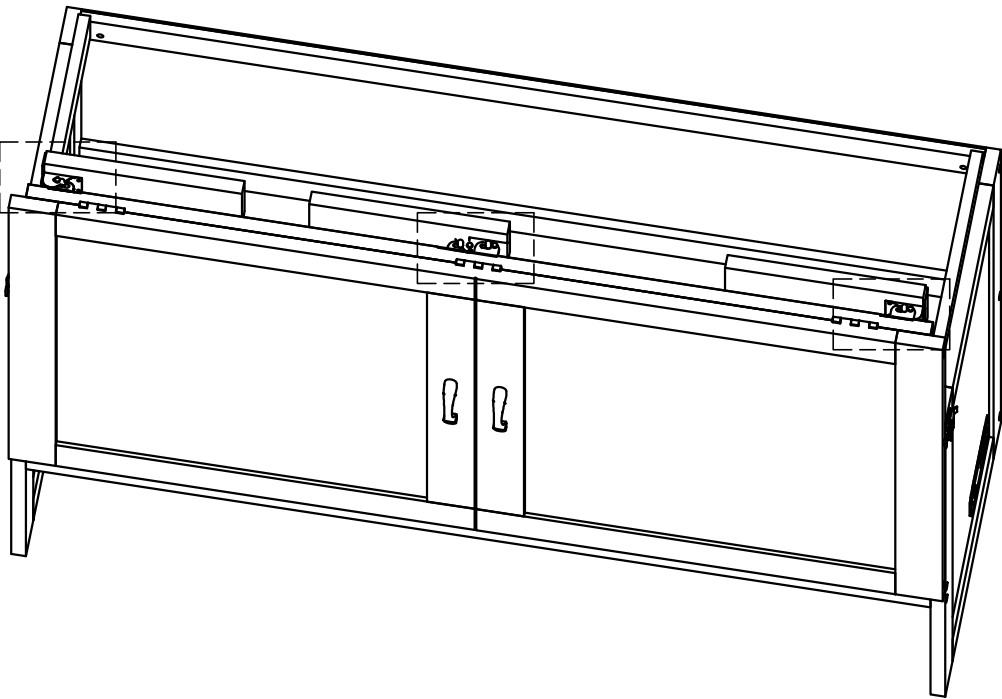
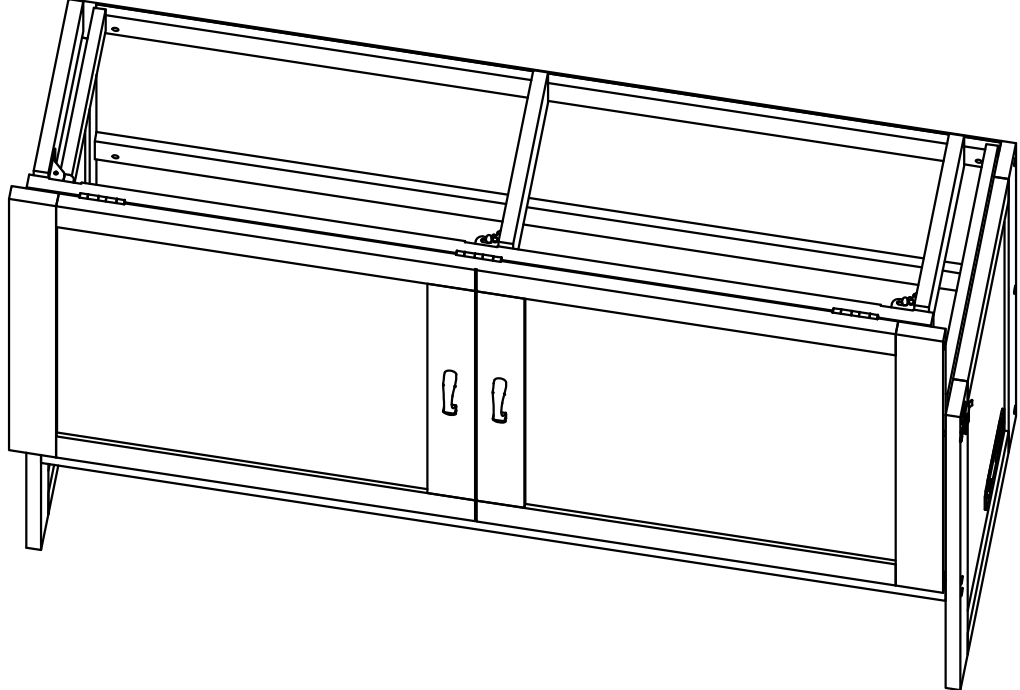
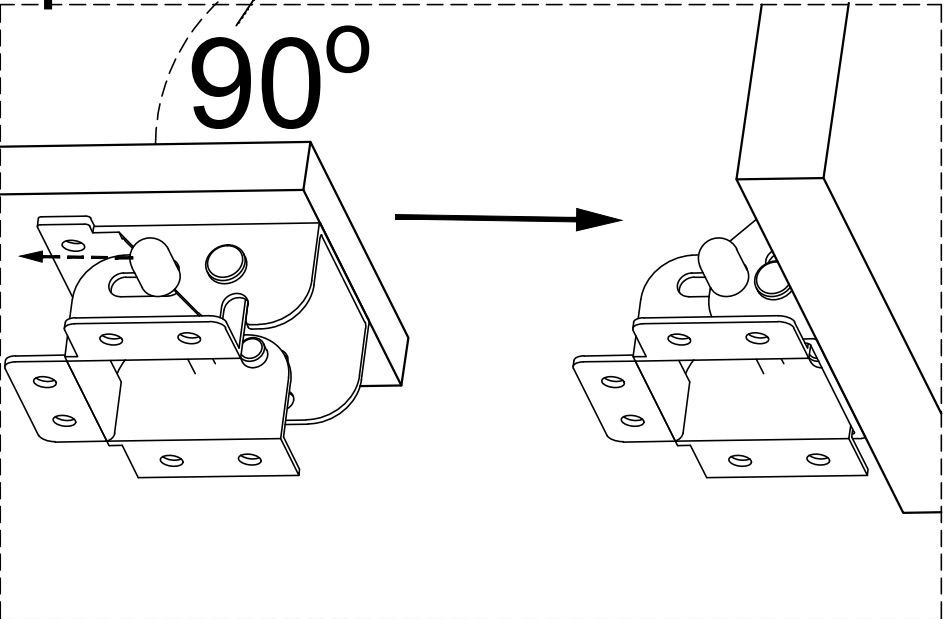


Step B2:

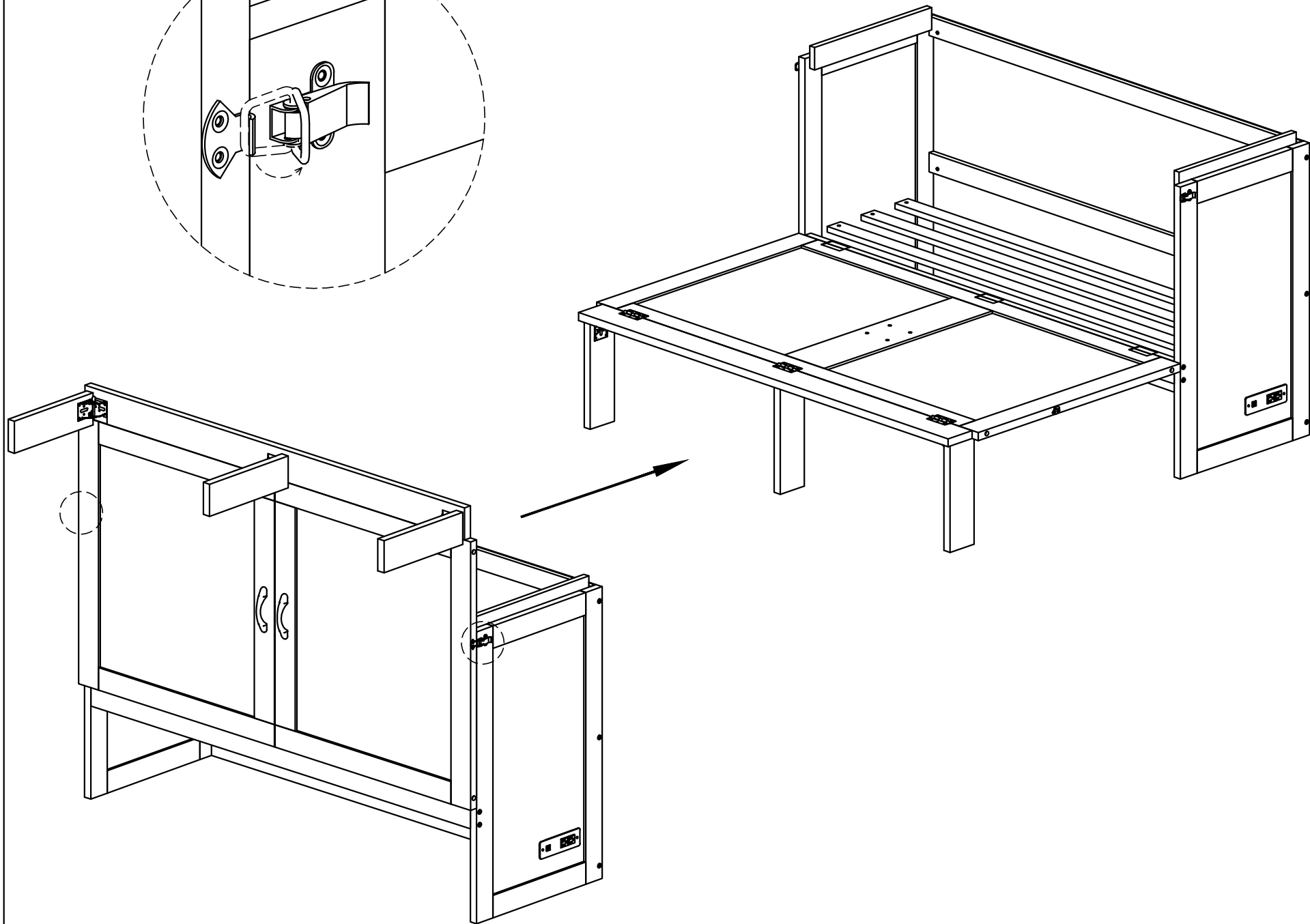
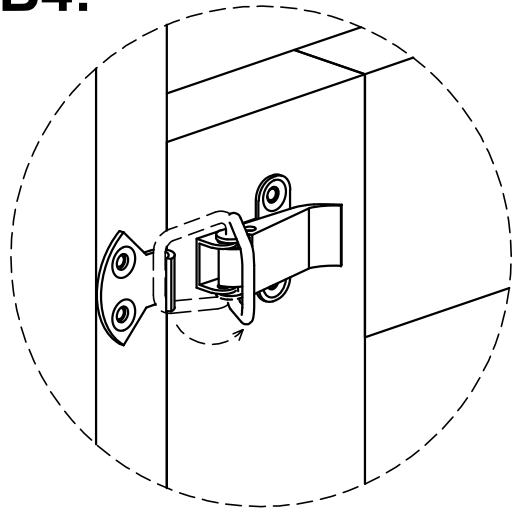


Step B3:

90°



Step B4:



COMPLETE OF THE FULL BED OPTION

