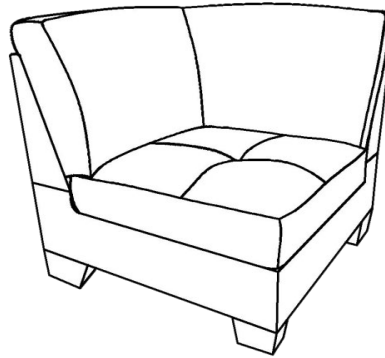


Assembly Instructions

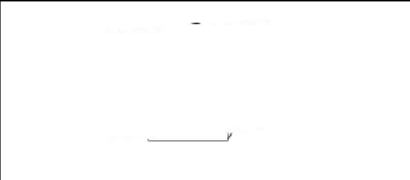
Caution: You must read this before you proceed

CORNER









Parts List

Label	Picture	Description	QTY(pc)
A	A line drawing of the seat base, showing a rectangular frame with two cushions on top.	Seat Base	1
B	A line drawing of the left backrest, showing a rectangular frame with a cushion on top.	Left Back	1
C	A line drawing of the right backrest, showing a rectangular frame with a cushion on top.	Right Back	1
D	A line drawing of the left back cushion, showing a rectangular shape with a slightly curved top edge.	Left Back Cushion	1
E	A line drawing of the right back cushion, showing a rectangular shape with a slightly curved top edge.	Right Back Cushion	1

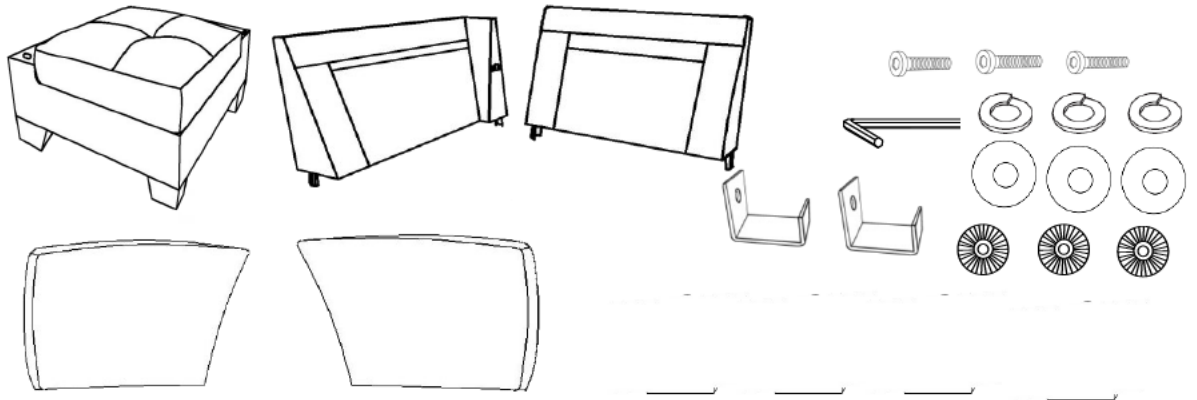
F		Wooden Legs with 1 Plastic Gasket	4
---	---	-----------------------------------	---

Hardware List

Label	Picture	Description	QTY
①		Plastic Gasket	3
②		Allen Key	1
③		Bolt(M8*30mm)	3
④		Spring Ring	3
⑤		Flat Washer	3
⑥		U shape Metal Connector	3

Assembly Preparation

Before
Beginning
Assembly:



- Read instructions, cover to cover-



- Have 2 adults on hand for assembly-



- Do not assemble on flooring or carpet-

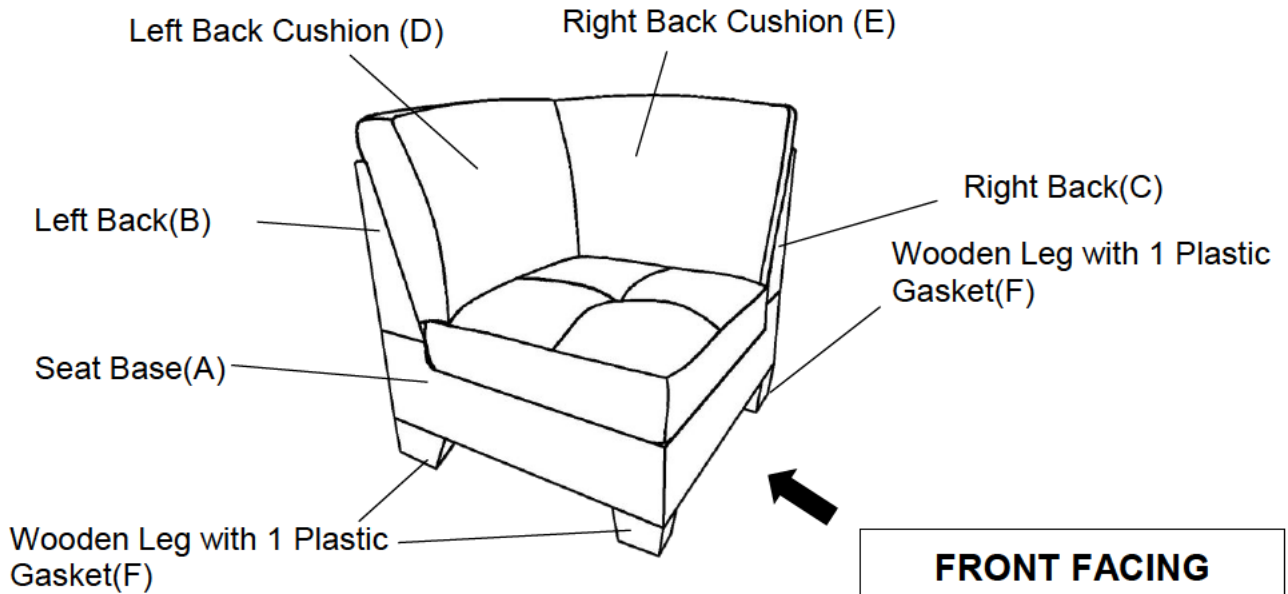


- Assemble on a clean non-marring surface (packing foam)-



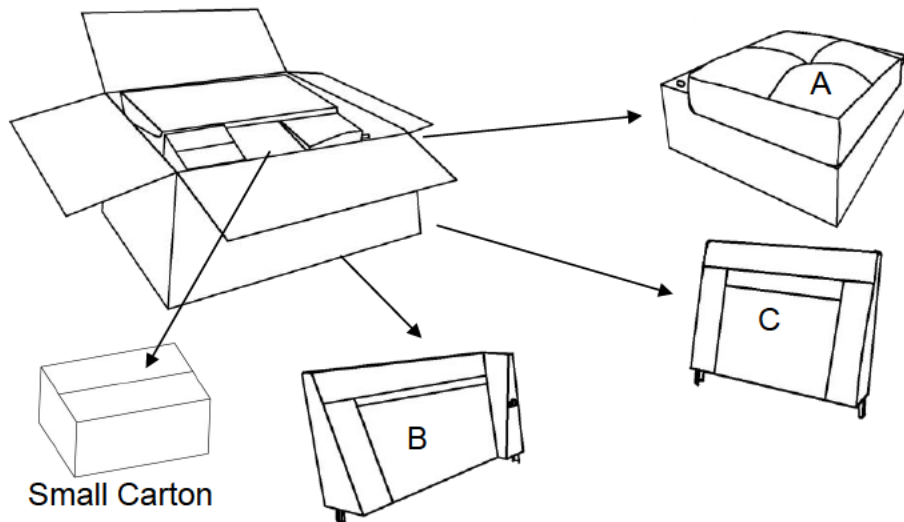
- Save all packaging until finished-

Assembly Steps



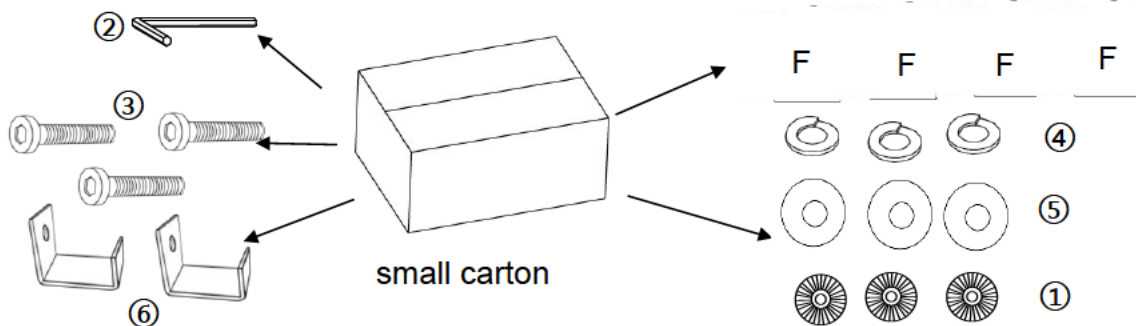
This Corner has multiple parts and may require about 30 minutes to assemble. To give you an overview of the Sofa parts, the above picture is to help you put the various parts into perspective. Please read through the instructions below to familiarise yourself with the parts and steps before assembly.

Step 1



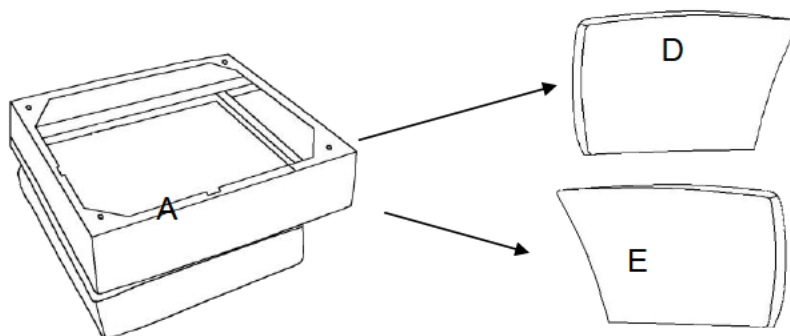
Take out the Seat Base(A), Left Back(B) and Right Back(C) and Small Carton from the carton, place them on a clean, non-marring surface.

Step 2



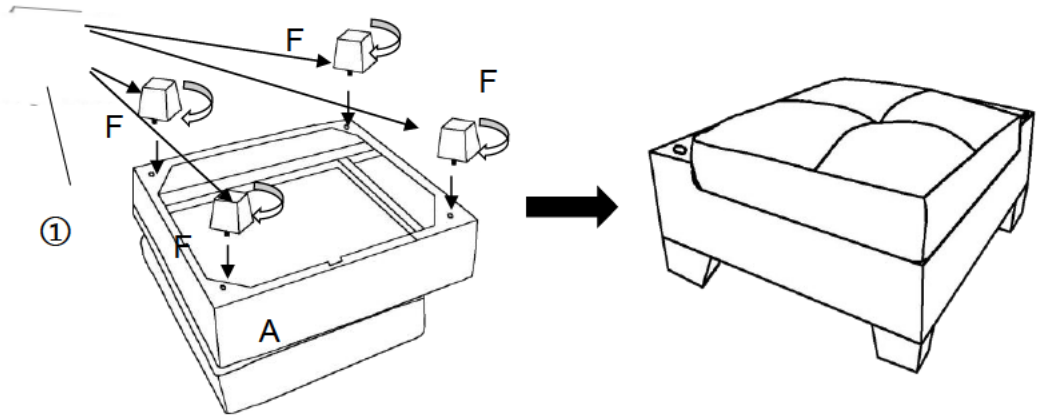
Open the small Carton to take out the Plastic Gasket(①), Wooden Legs with 1 Plastic Gasket(F), Allen Key(②), Bolts(③), Spring Ring(④), Flat Washer(⑤) and U shape Metal Connector(⑥).

Step 3



Take out the Left Back Cushion(D) and Right Back Cushion(E) out from the bottom of Seat Base(A).

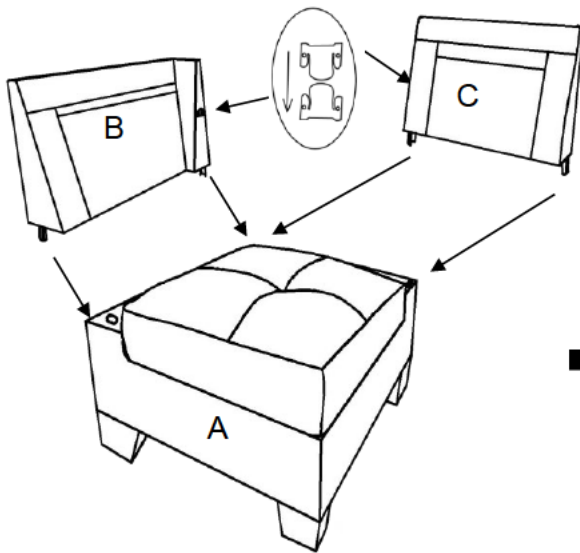
Step 4



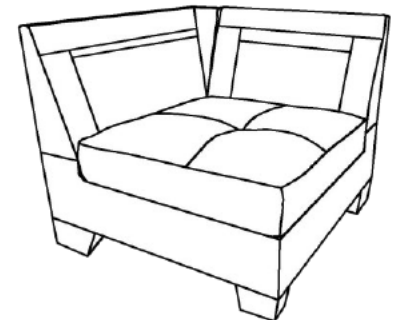
Carefully install the Wooden Legs with 1 Plastic Gasket(F) at the bottom of Seat Base(A).

Note:The use of Gaskets are **OPTIONAL** and are especially useful to help alleviate slight wobbleness. Some Legs may need more than one gasket while some legs may not need any.

Step 5



Insert Left Back(B) first, then insert the Right Back(C) and meanwhile align the mounting bracket on the left side of Right Back(C) with this on the right side of Left Back(B).

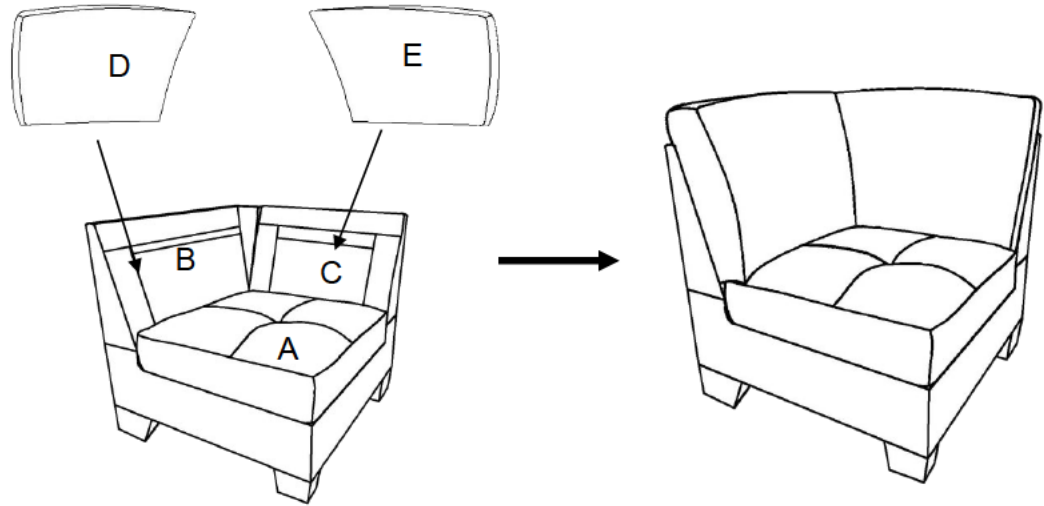


Align the mounting brackets under the the Left Back(B) with those at the Left-top-inside of Seat Base(A),then slide the Left Back(B) downwards to make sure it locks into place.

Then align the mounting brackets under the the Right Back(B) with those at the Right-top-inside of Seat Base(A),then slide the Left Back(B) downwards and **meanwhile align the mounting bracket on the left side of Right Back(C) with this on the right side of Left Back(B) to make sure it locks into place as pictured.**

Please squeeze the armrests properly against the backrest to ensure that the inserts can be assembled smoothly.

Step 6

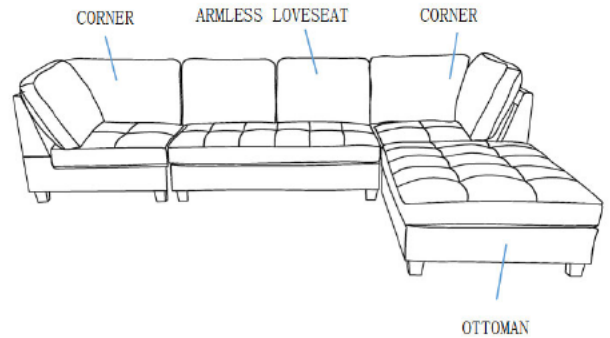
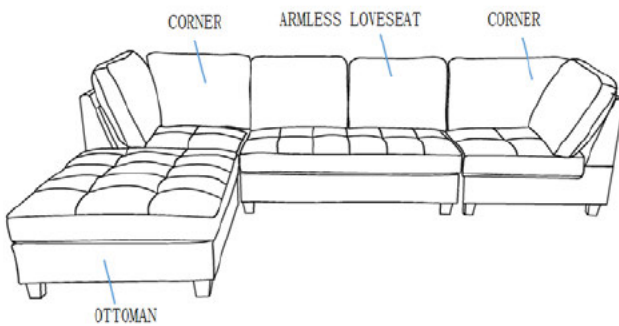


Put the Left Seat Cushion(D) and Right Seat Cushion(E) on the Seat Base(A) against to the Left Back(B) and Right Back (C).

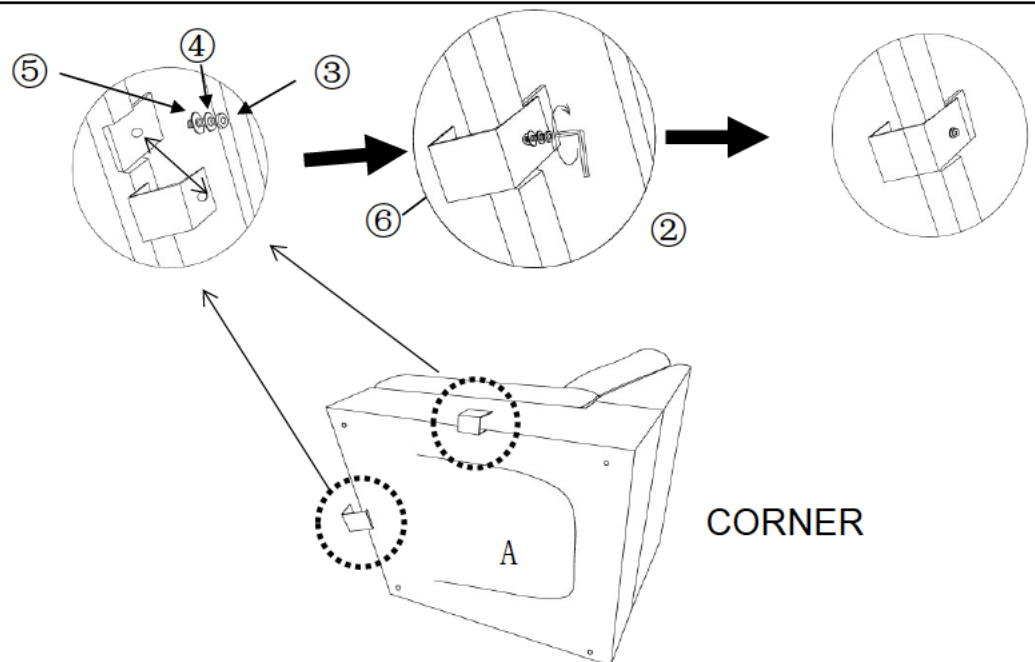
This Corner is ready for use.

This Corner can only be used on a flat, level surface.

Combination Reference

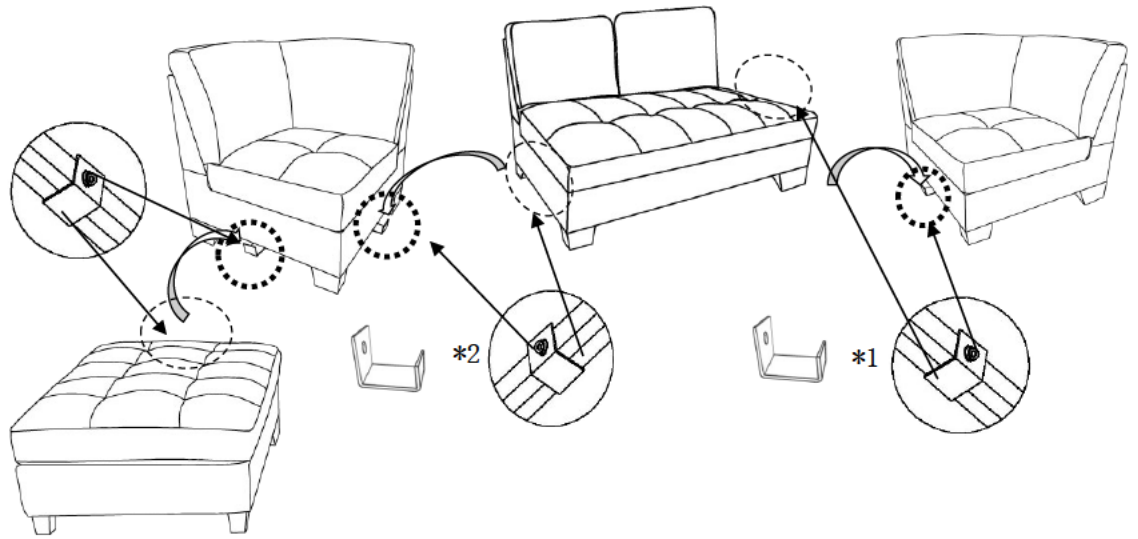


Step 1












Take 2 Bolts(③) by placing a Spring Washer(④) and a Flat Washer(⑤) each by Allen Key(②), then insert the hole of U Shape Metal Connetor(⑥) and fix it on the both sides under inside the Seat Base(A) as pictured.

Step 2



Connect the Conner, Armless Loveseat, Corner and Ottoman together with U shape Metal Connector(⑥) one by one, above just one combination for reference, you can do the combination as you want.

Care & Maintenance

-  Do not put hot items directly on furniture surface
 -  Do not clean furniture with harsh cleansers or polish.
 -  Do not place furniture under direct sunlight.
 -  Do not place furniture near heating or cooling vents.
 -  Do not write on furniture without a padded barrier to protect the surface.
 -  Do not place furniture outside . For indoor use only .
 -  Not for commercial use. For residential use only .
 -  Stains may be removed with mild soap solution and damp cloth.
 -  Children should not climb or jump on the furniture.
-
-  Dust and pick-up spills using a clean, non-colored, lint-free cloth .

Questions & Answers about Proposition 65

• What is Proposition 65?

Proposition 65 requires businesses to provide warnings to Californians about significant exposures to chemicals that cause cancer, birth defects or other reproductive harm. These chemicals can be in the products that Californians purchase, in their homes or workplaces, or that are released into the environment. By requiring that this information be provided, Proposition 65 enables Californians to make informed decisions about their exposures to these chemicals.

Proposition 65 also prohibits California businesses from knowingly discharging significant amounts of listed chemicals into sources of drinking water.

Proposition 65 requires California to publish a list of chemicals known to cause cancer, birth defects or other reproductive harm. This list, which must be updated at least once a year, has grown to include approximately 900 chemicals since it was first published in 1987.

• What types of chemicals are on the Proposition 65 list?

The list contains a wide range of naturally occurring and synthetic chemicals that include additives or ingredients in pesticides, common household products, food, drugs, dyes, or solvents. Listed chemicals may also be used in manufacturing and construction, or they may be byproducts of chemical processes, such as motor vehicle exhaust.

• What does a warning mean?

If a warning is placed on a product label or posted or distributed at a workplace, a business, or in rental housing, the business issuing the warning is aware or believes that it is exposing individuals to one or more listed chemicals.

By law, a warning must be given for listed chemicals unless the exposure is low enough to pose no significant risk of cancer or is significantly below levels observed to cause birth defects or other reproductive harm.

• Where can I get more information on Proposition 65?

If you have specific questions on the administration or implementation of Proposition 65, you can contact OEHHA's Proposition 65 program at P65.Questions@oehha.ca.gov, or by phone at (916) 445-6900.