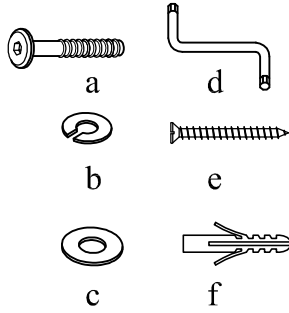


DRESSER MIRROR

Assembly Instruction

A . Components :

- | | |
|------------------|-----|
| 1. Mirror | 1 x |
| 2. Dresser | 1 x |
| 3. Frame Support | 2 x |

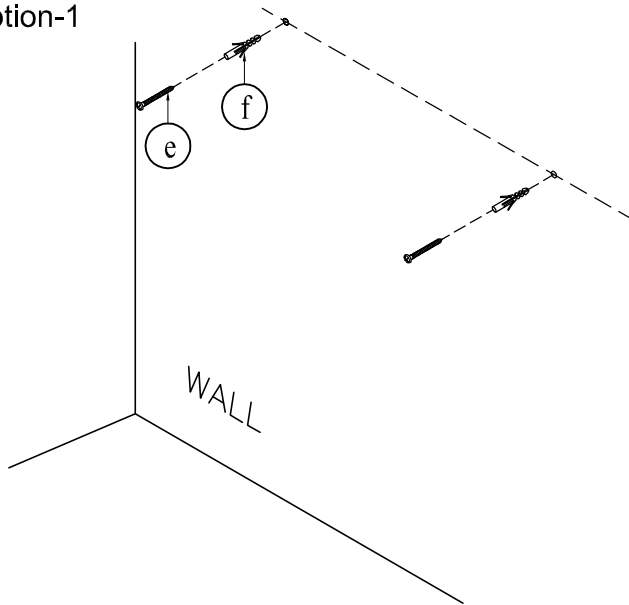


B . Hardware :

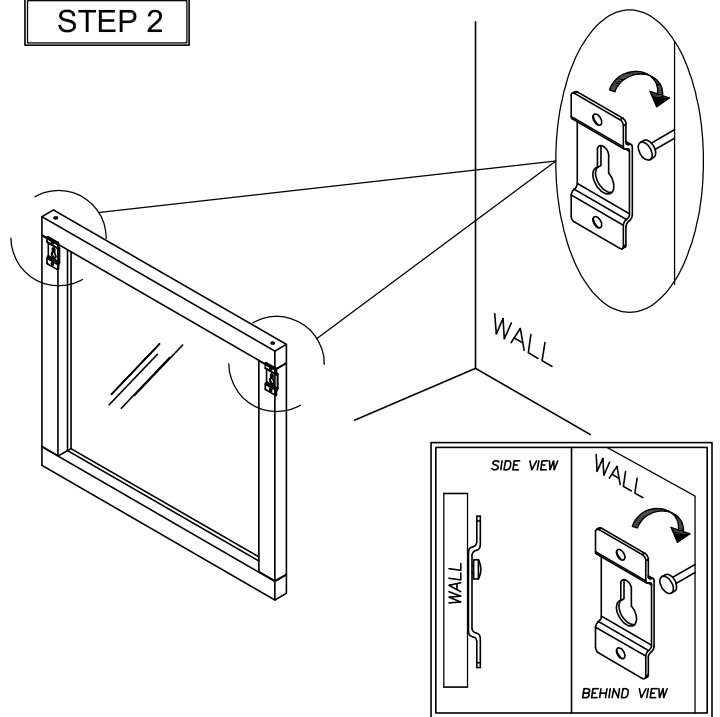
- | | |
|----------------|-----|
| a. Allen Bolt | 8 x |
| b. Lock Washer | 8 x |
| c. Flat Washer | 8 x |
| d. Allen Key | 1 x |
| e. Screw | 2 x |
| f. Fischer | 2 x |

STEP 1

Option-1



STEP 2



STEP 3

Option-2

