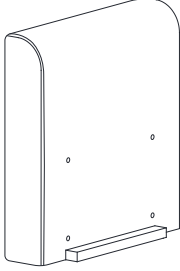
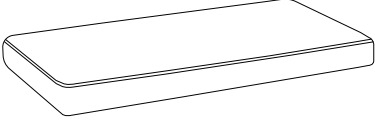
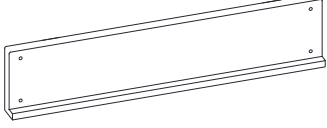
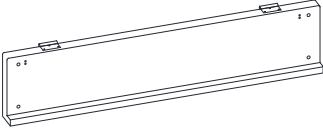
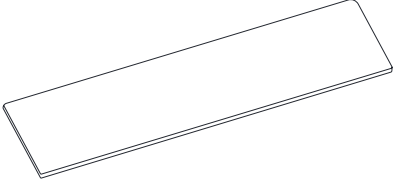
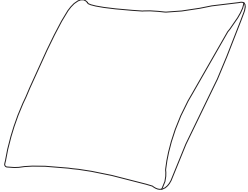
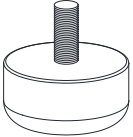
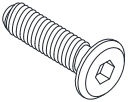
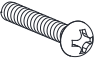

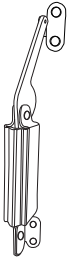


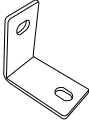
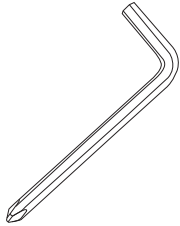
Assembly instructions

PARTS LIST

<p>A x2</p>  <p>Armrest</p>	<p>B x1</p>  <p>Seat Cushion</p>	<p>C x1</p>  <p>Front Panel</p>
<p>D x1</p>  <p>Back Panel</p>	<p>E x1</p>  <p>Bottom Panel</p>	<p>F x2</p>  <p>Pillow</p>
<p>G x4</p>  <p>Leg</p>		




HARDWARE LIST

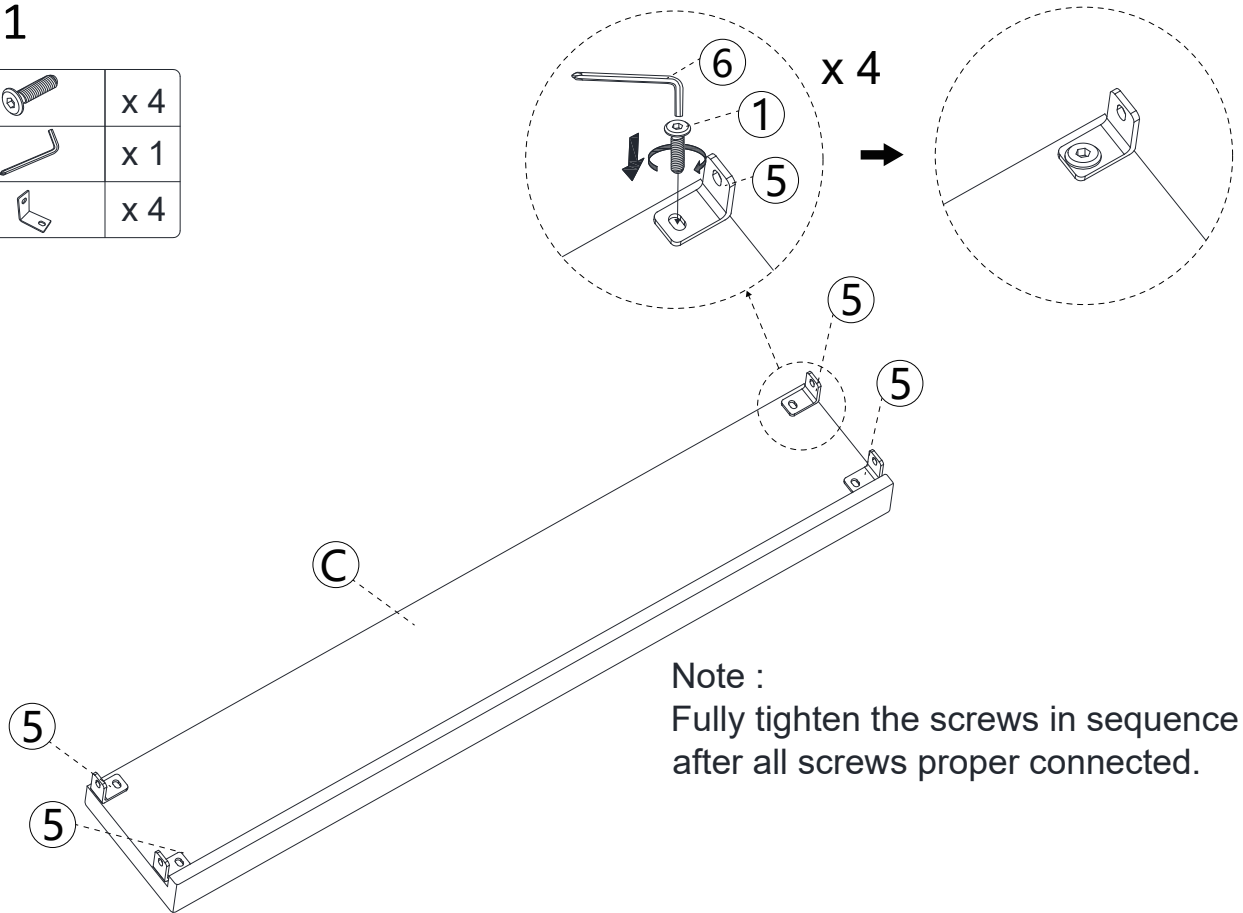
<p>1 x16</p>  <p>Bolt M6*25mm</p>	<p>2 x8</p>  <p>Bolt M4*20mm</p>	<p>3 x1</p>  <p>Right Support</p>	<p>4 x1</p>  <p>Left Support</p>
--	---	--	---

5  Connect Plate	x8 6  Allen Key 4 #		
---	---	--	--

ASSEMBLY INSTRUCTION




STEP 1

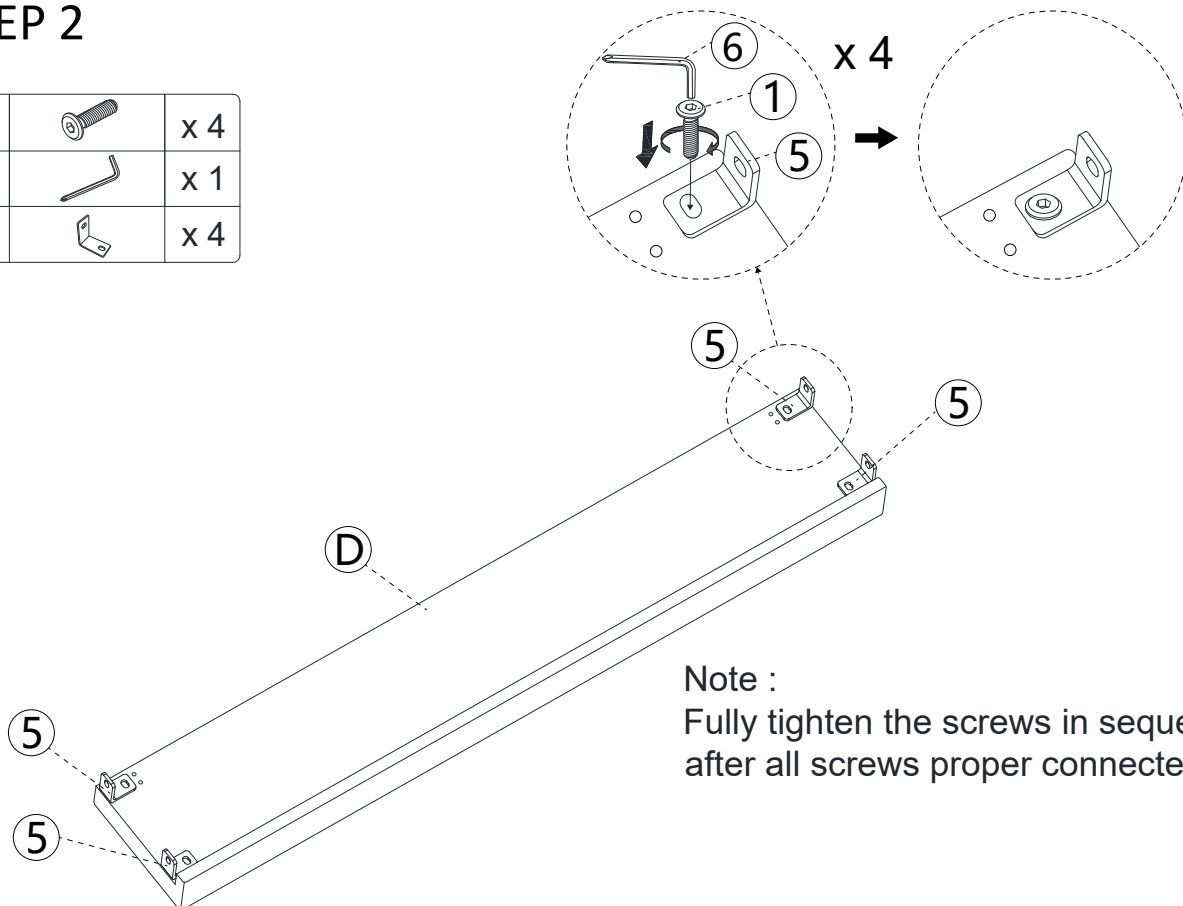
1		x 4
6		x 1
5		x 4



Note :
Fully tighten the screws in sequence
after all screws proper connected.



STEP 2

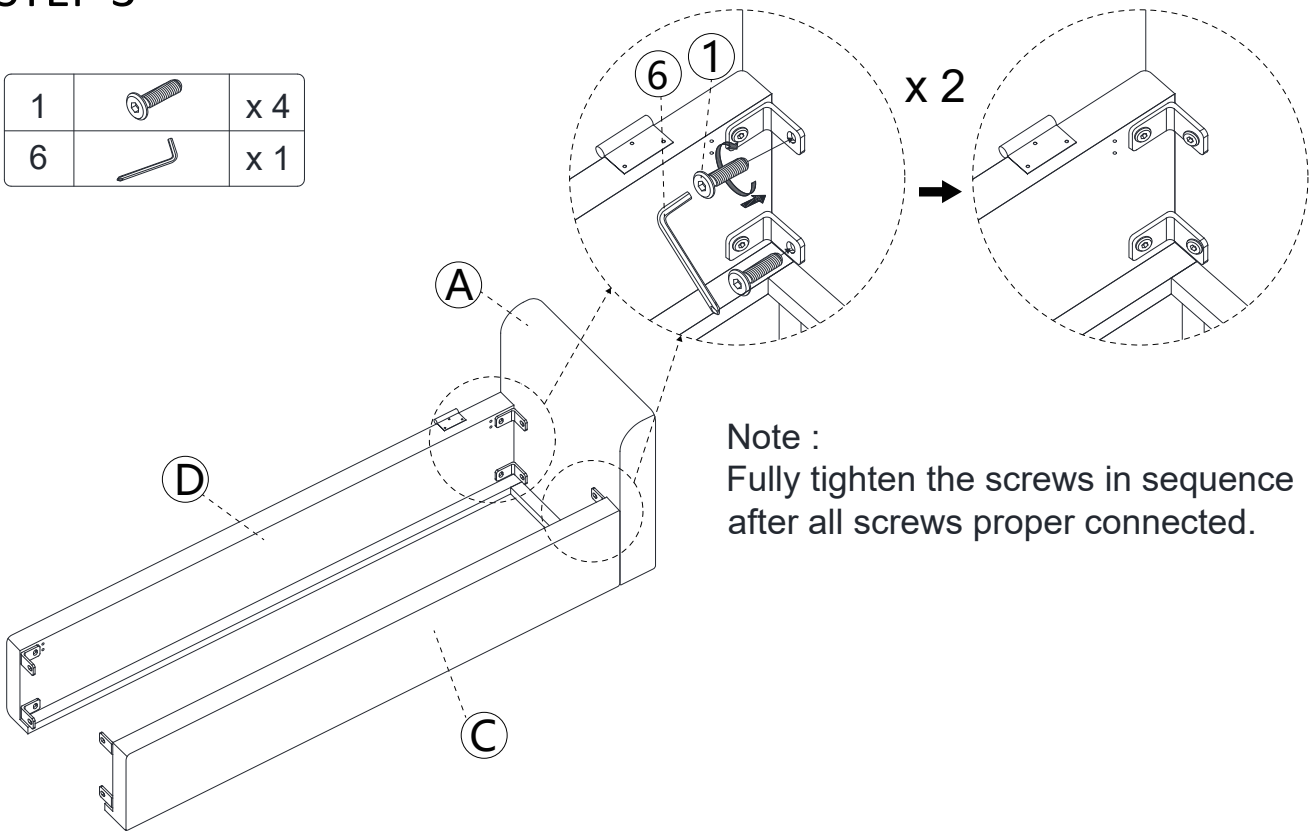
1		x 4
6		x 1
5		x 4





Note :
Fully tighten the screws in sequence
after all screws proper connected.

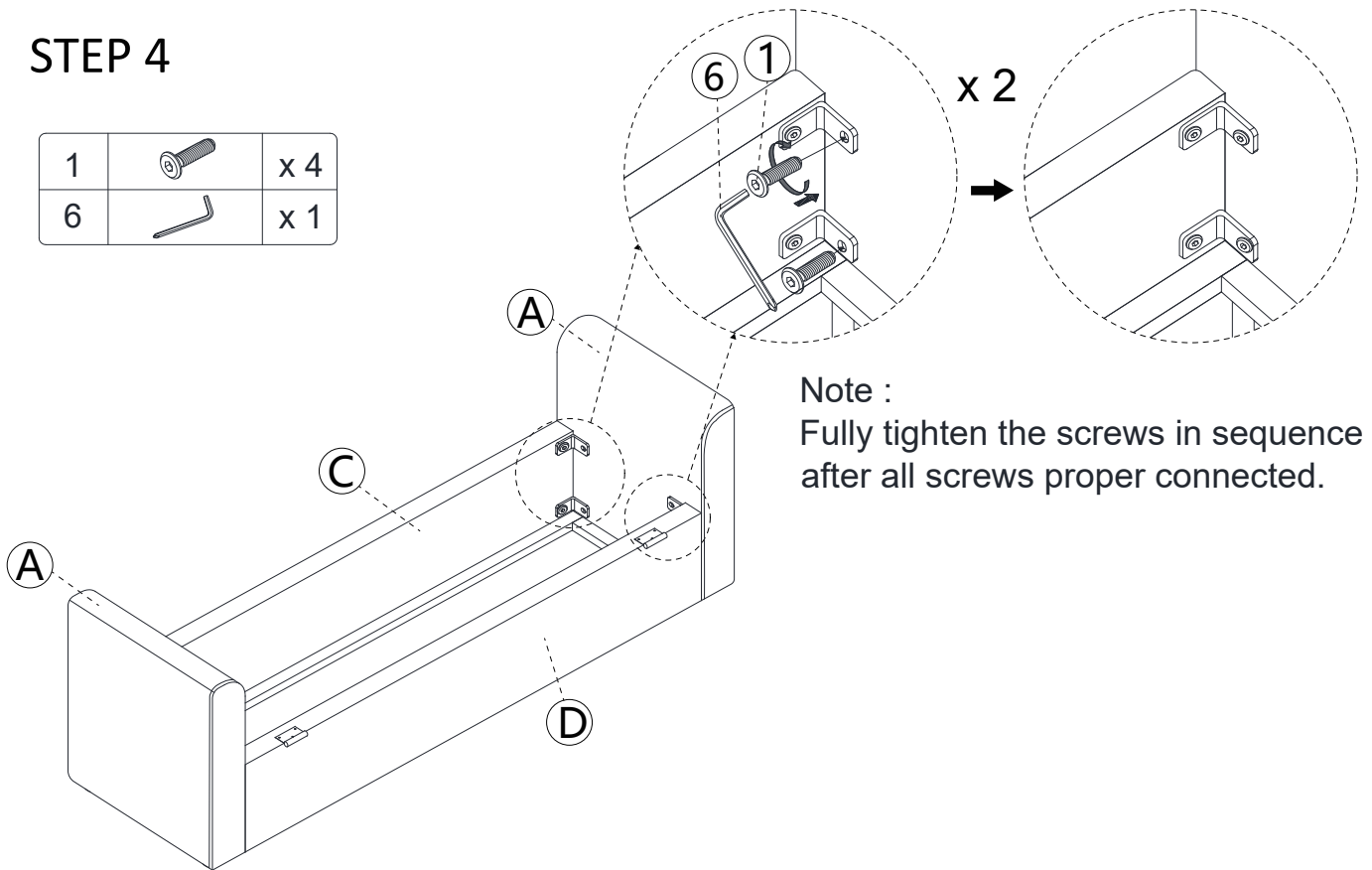
STEP 3

1		x 4
6		x 1

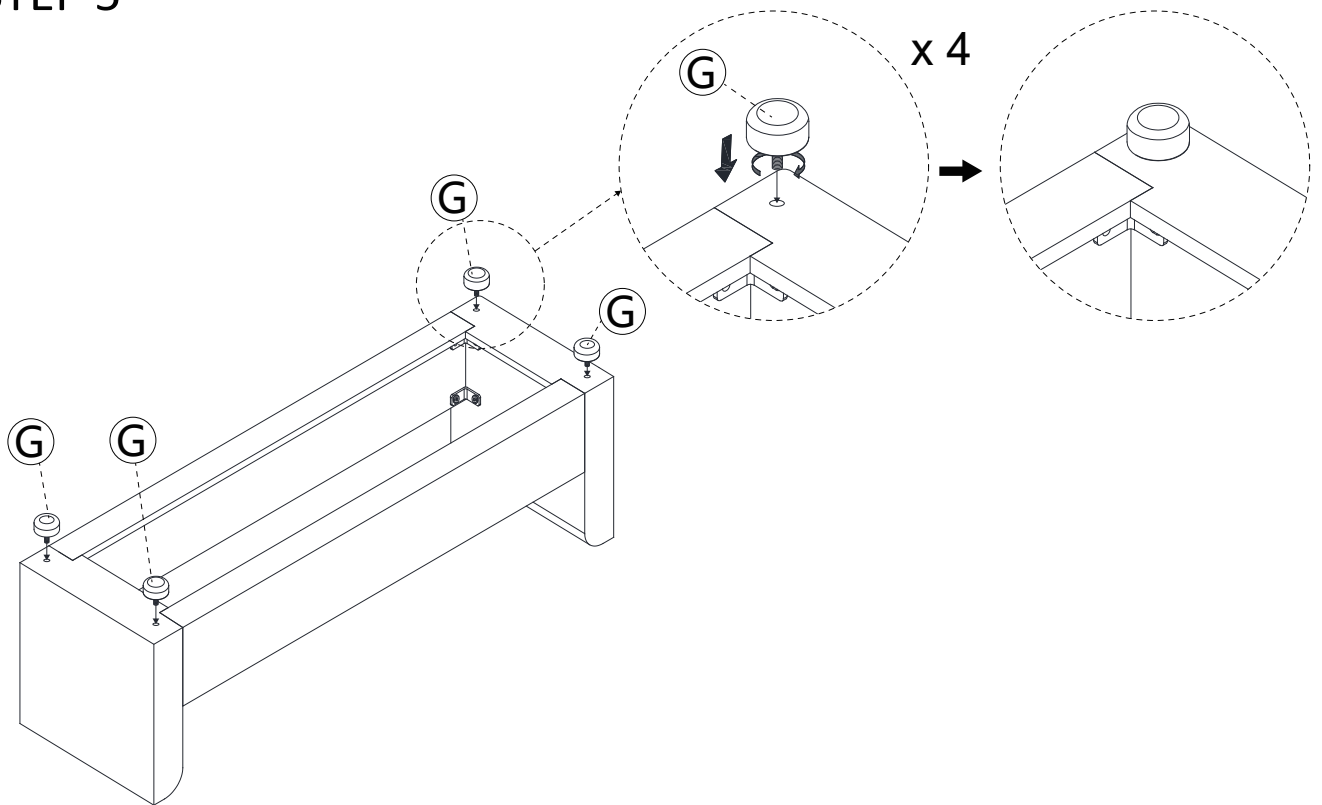


STEP 4

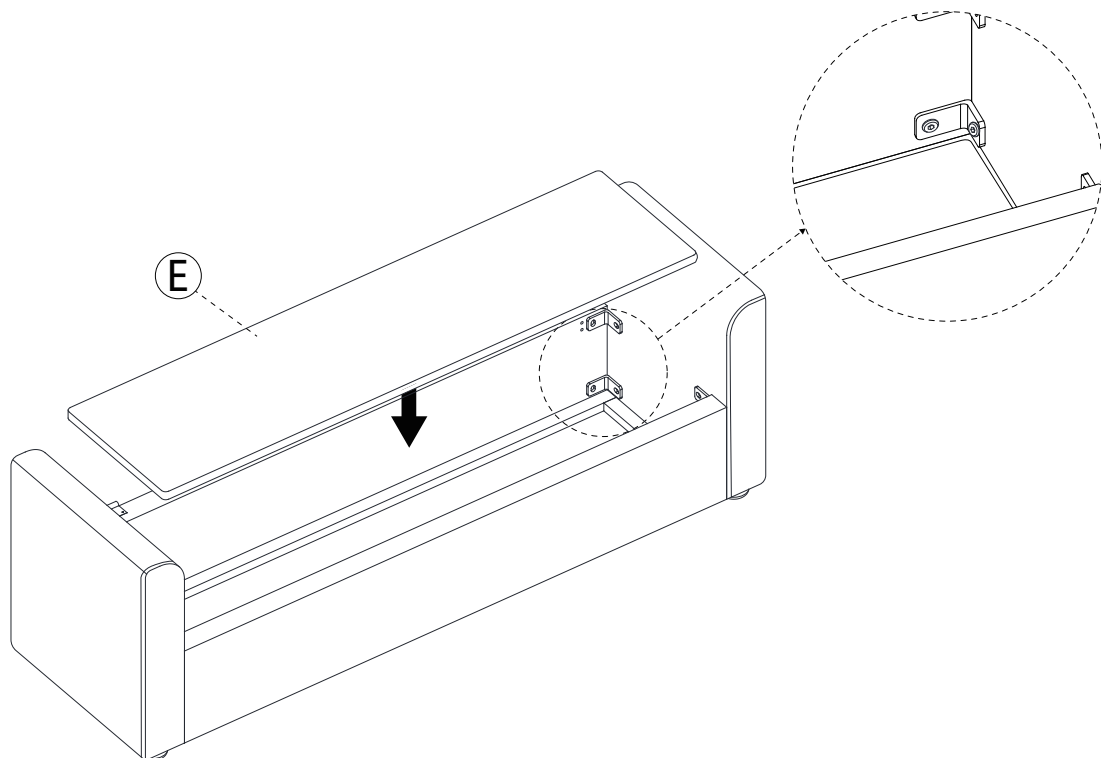
1		x 4
6		x 1



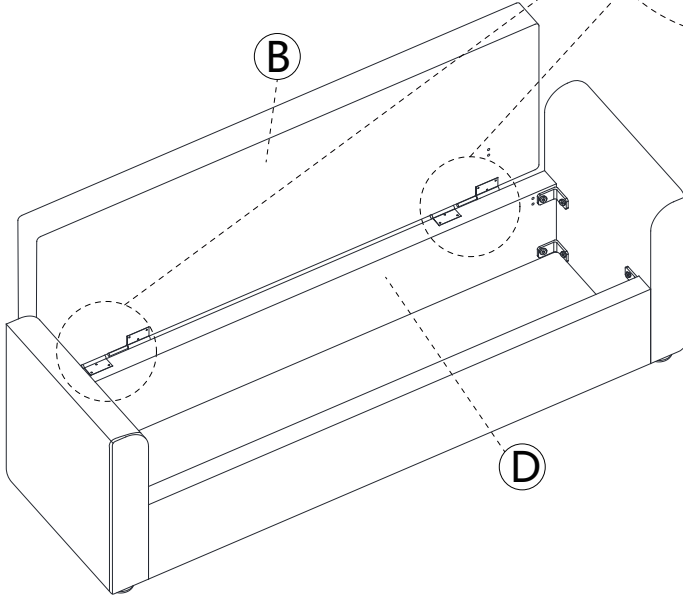
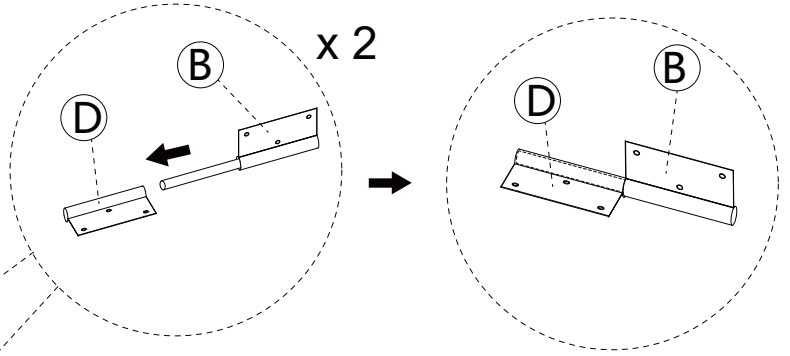
STEP 5



STEP 6

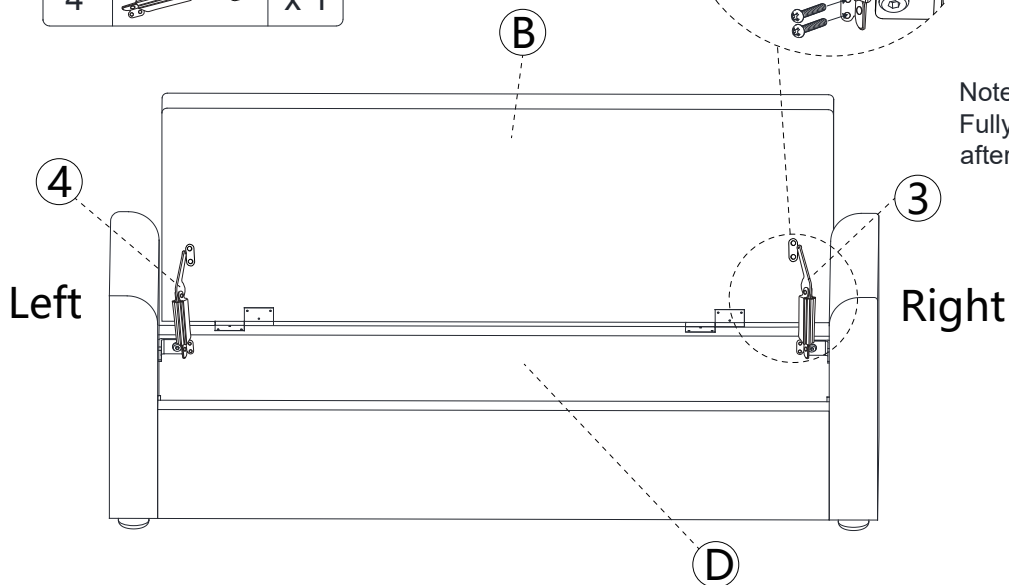
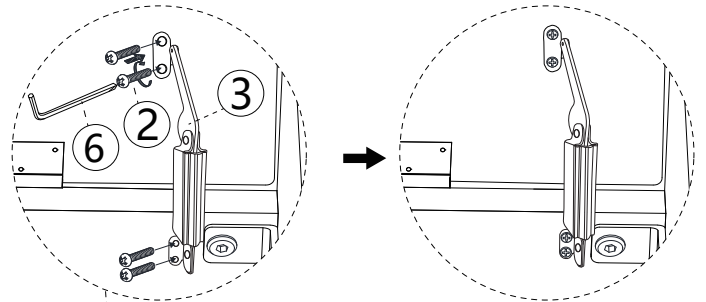


STEP 7



STEP 8

2		x 8
6		x 1
3		x 1
4		x 1



Note :
Fully tighten the screws in sequence
after all screws proper connected.

STEP 9

