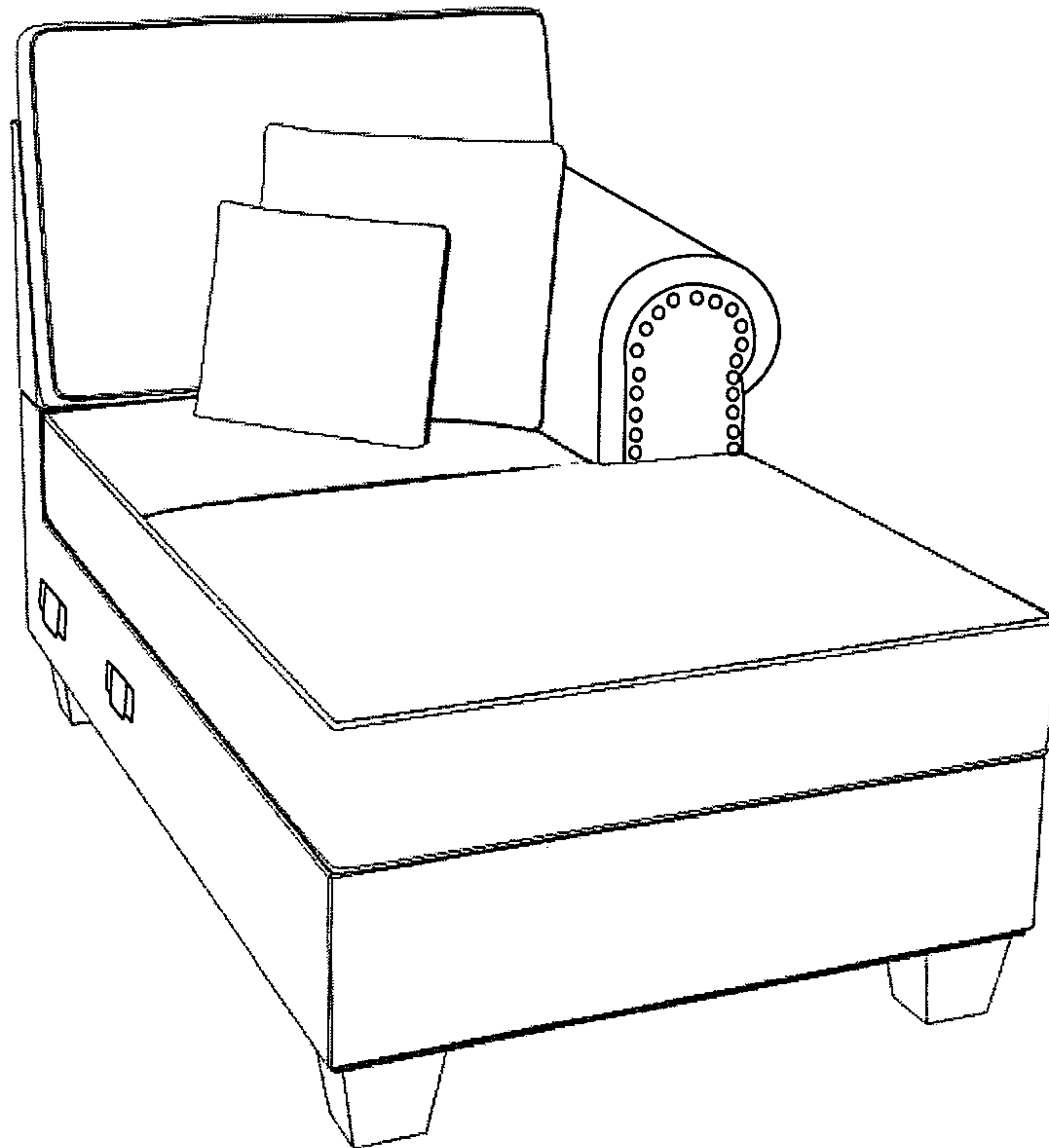
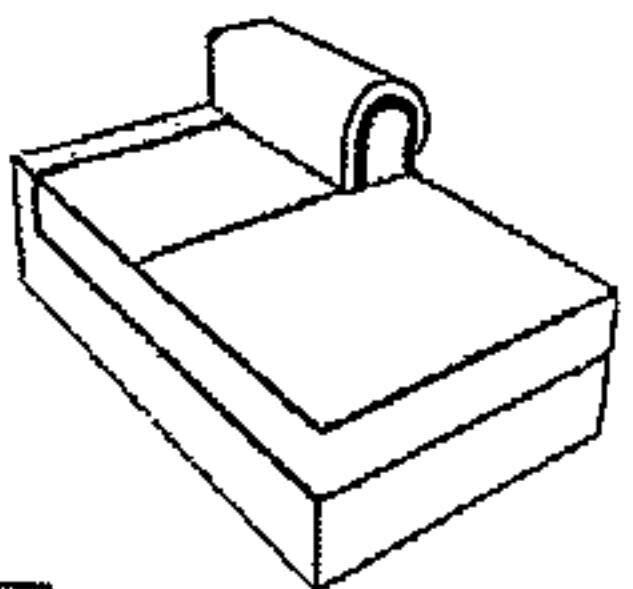
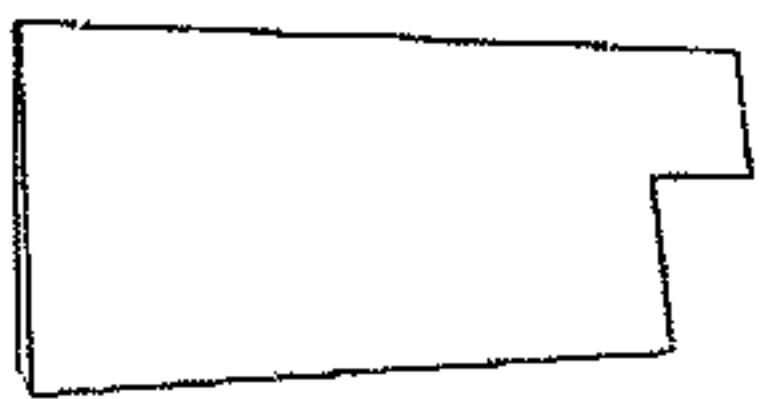
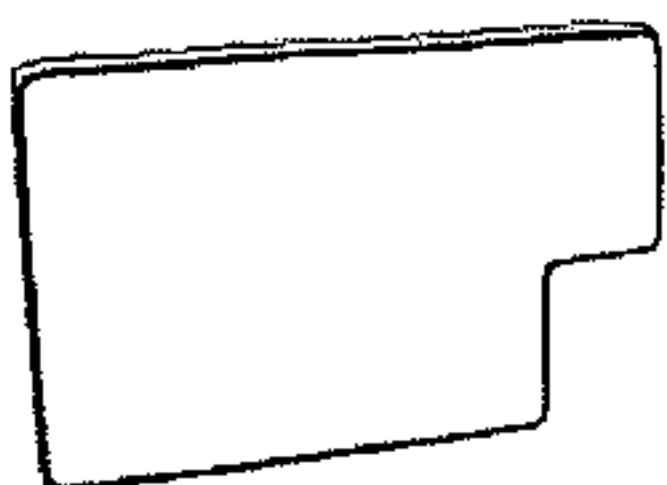
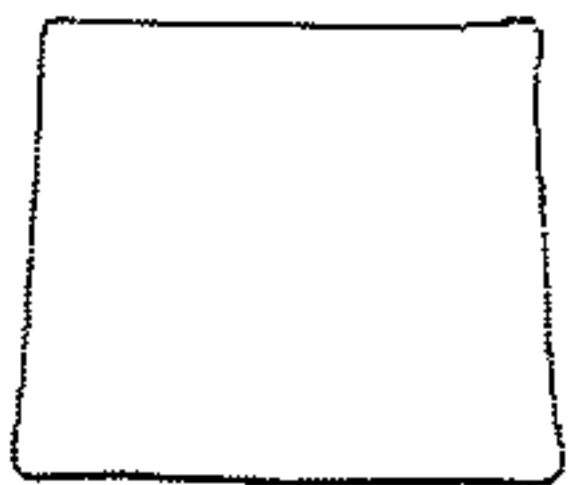
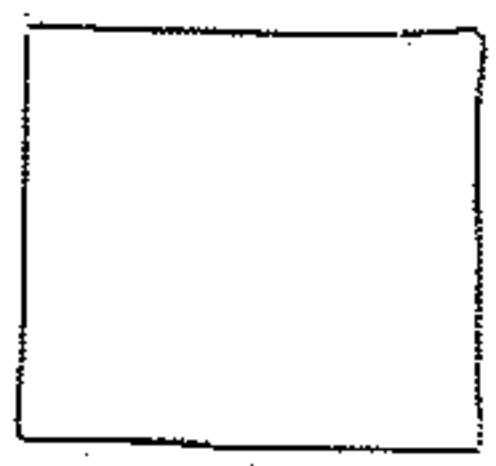
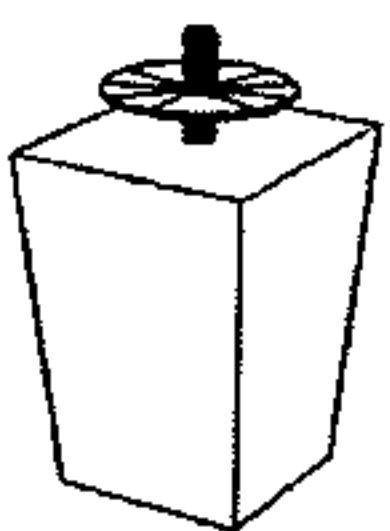



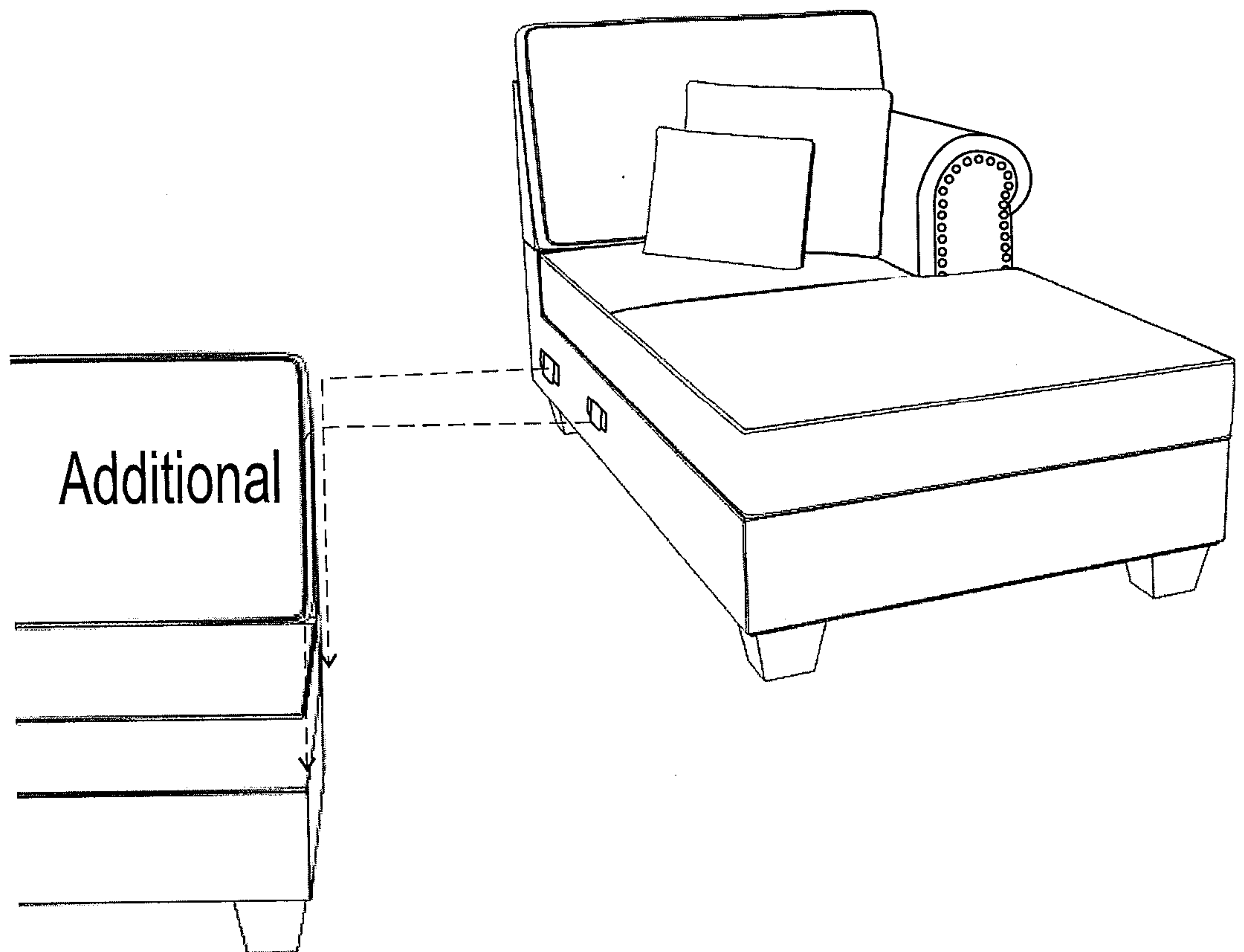
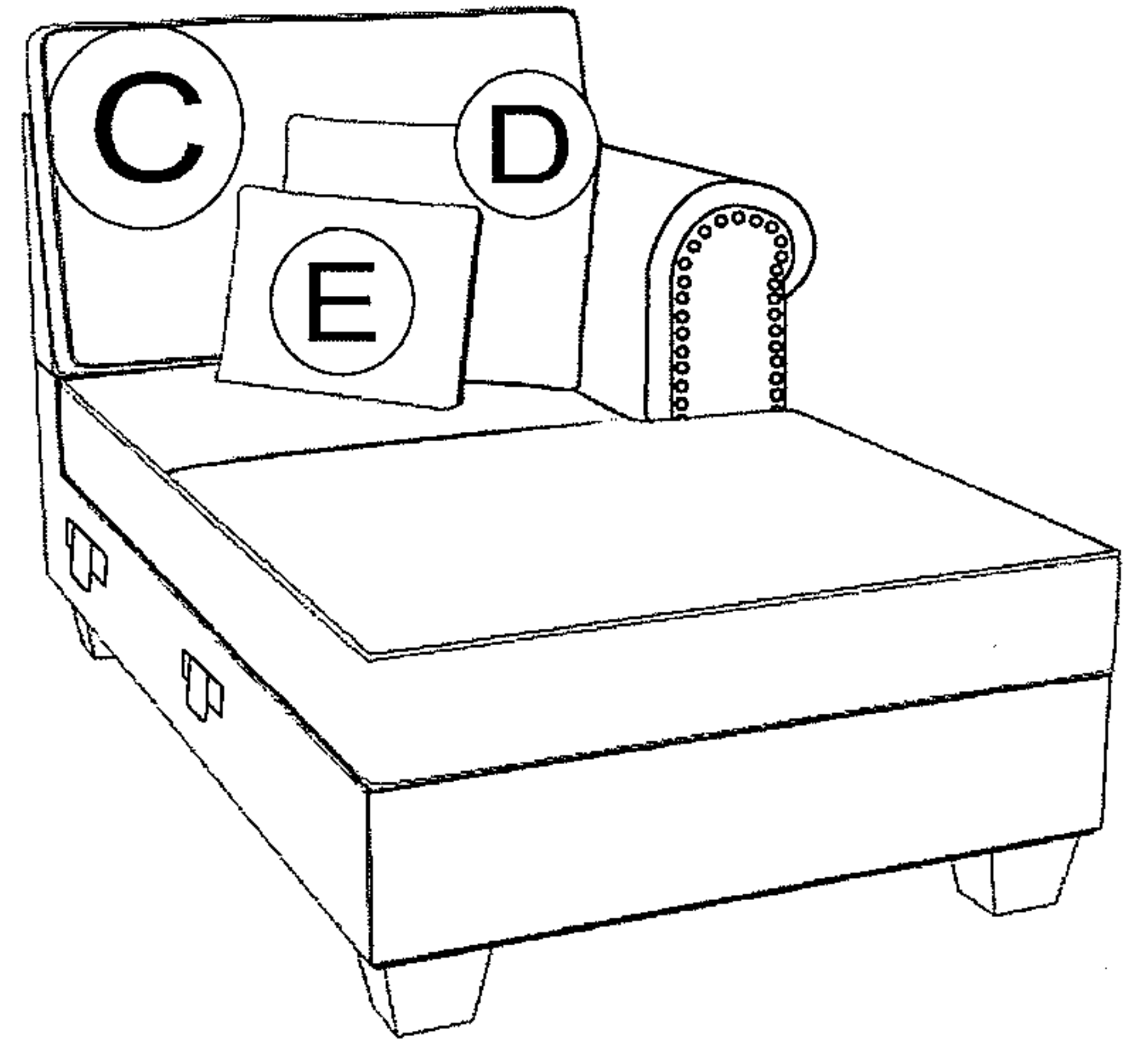
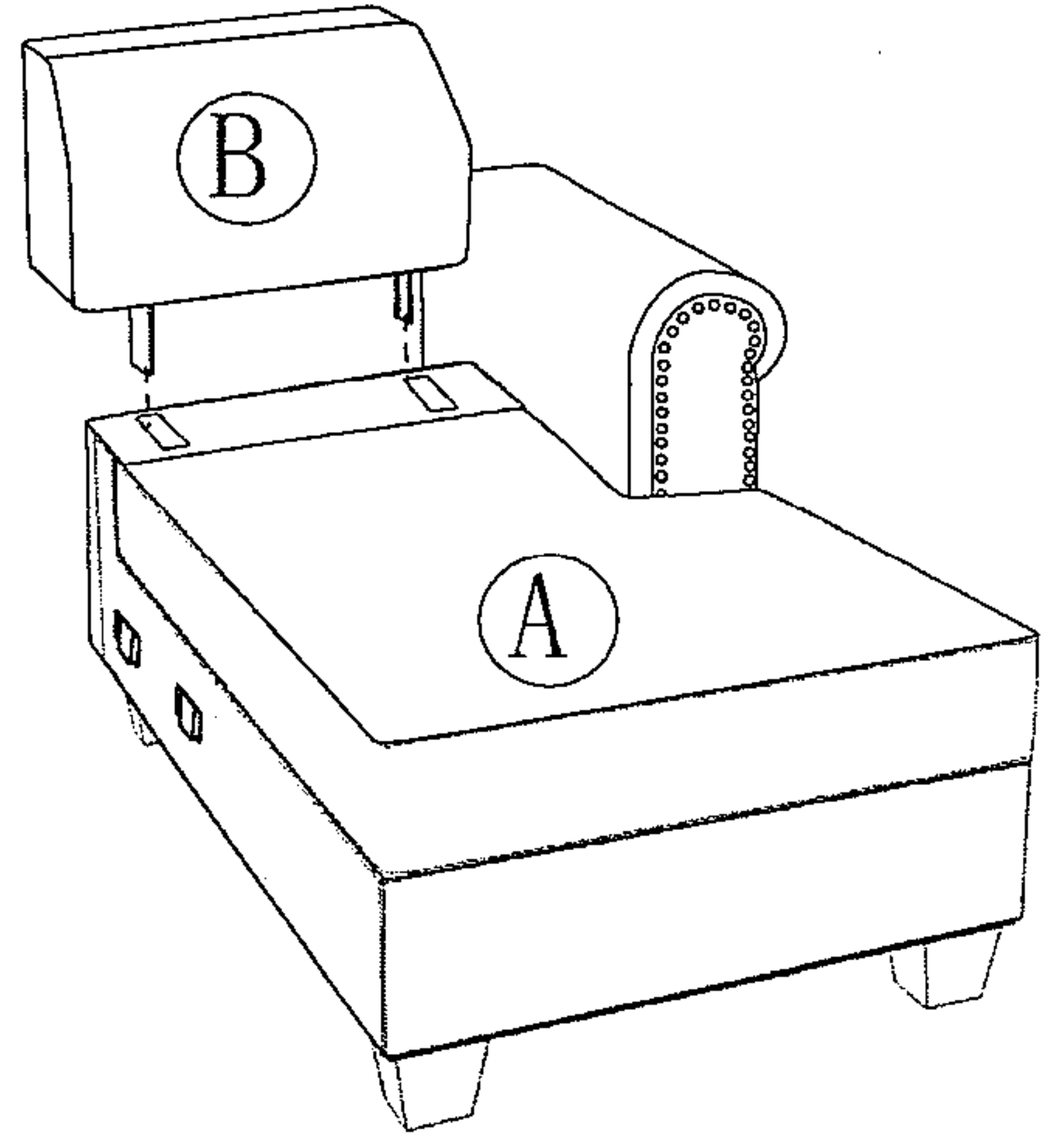
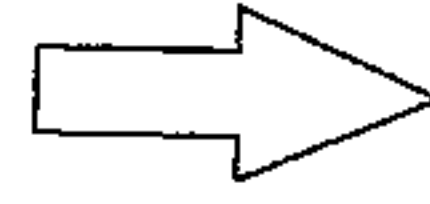
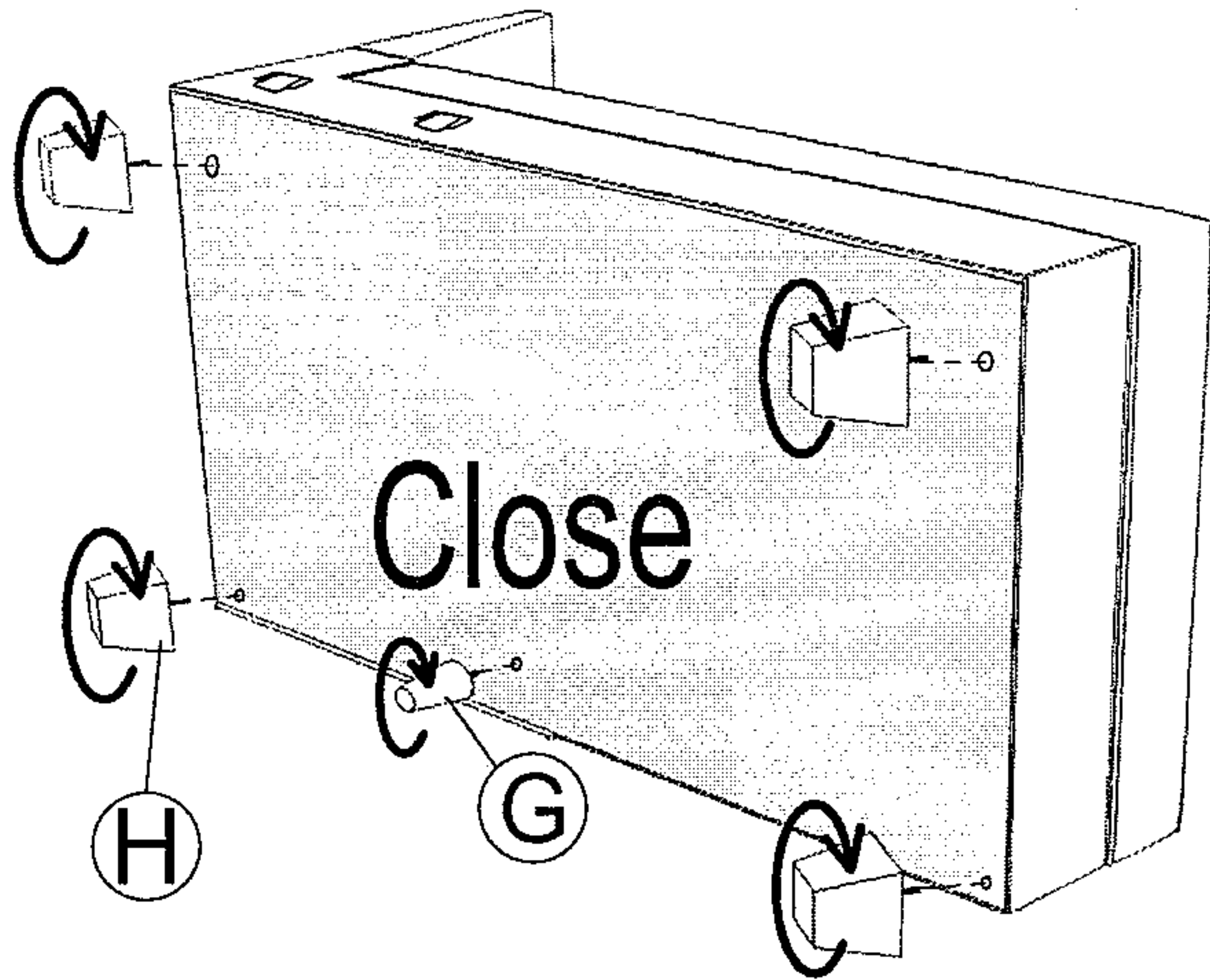
ASSEMBLY INSTRUCTION



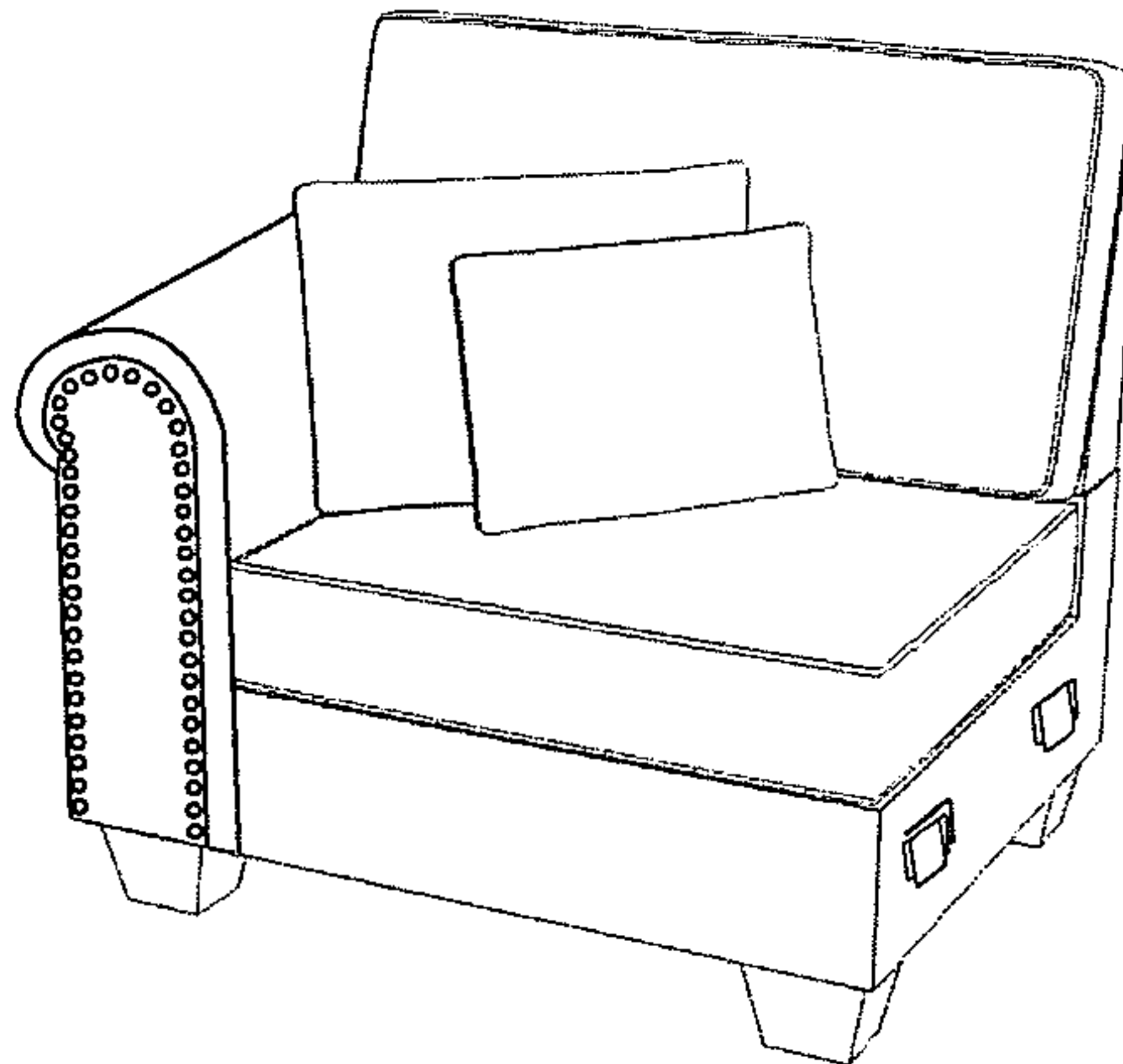
PARTS LIST

PARTS LIST				
				
A	x1	B	x1	C
D	x1	E	x1	x1
				
F	G	SUPPORT		

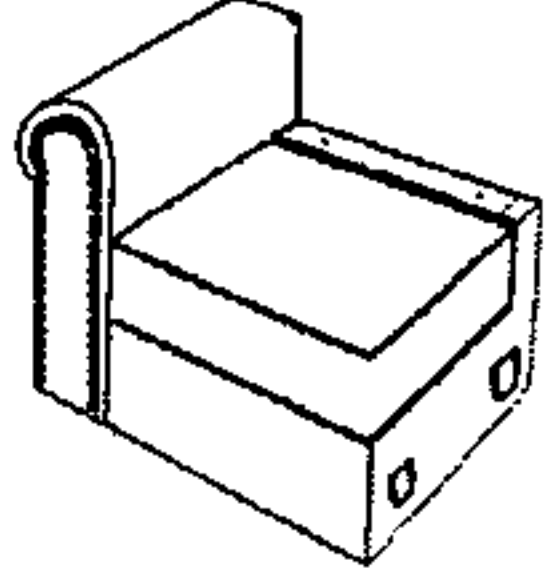
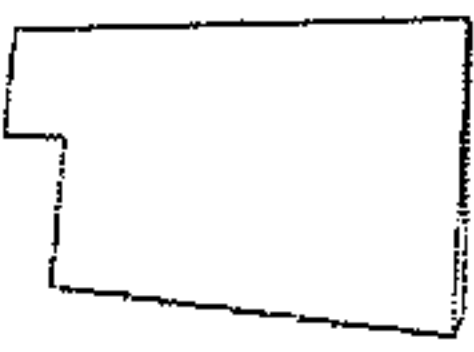
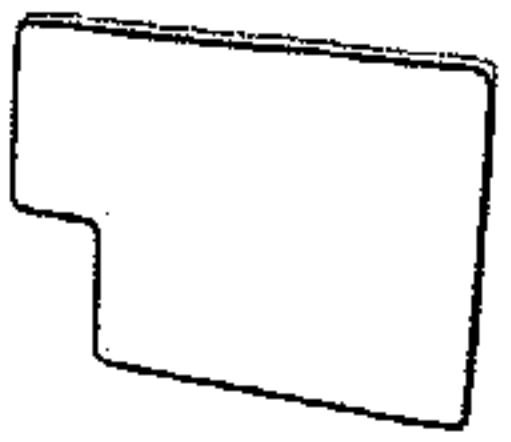

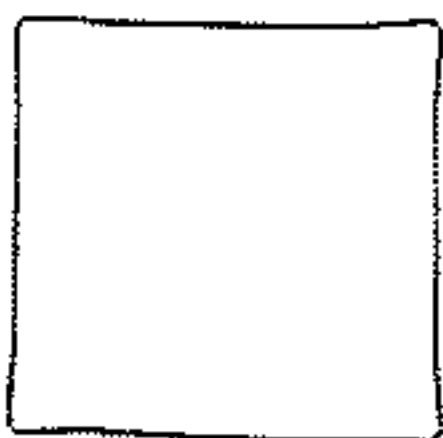

Step 1

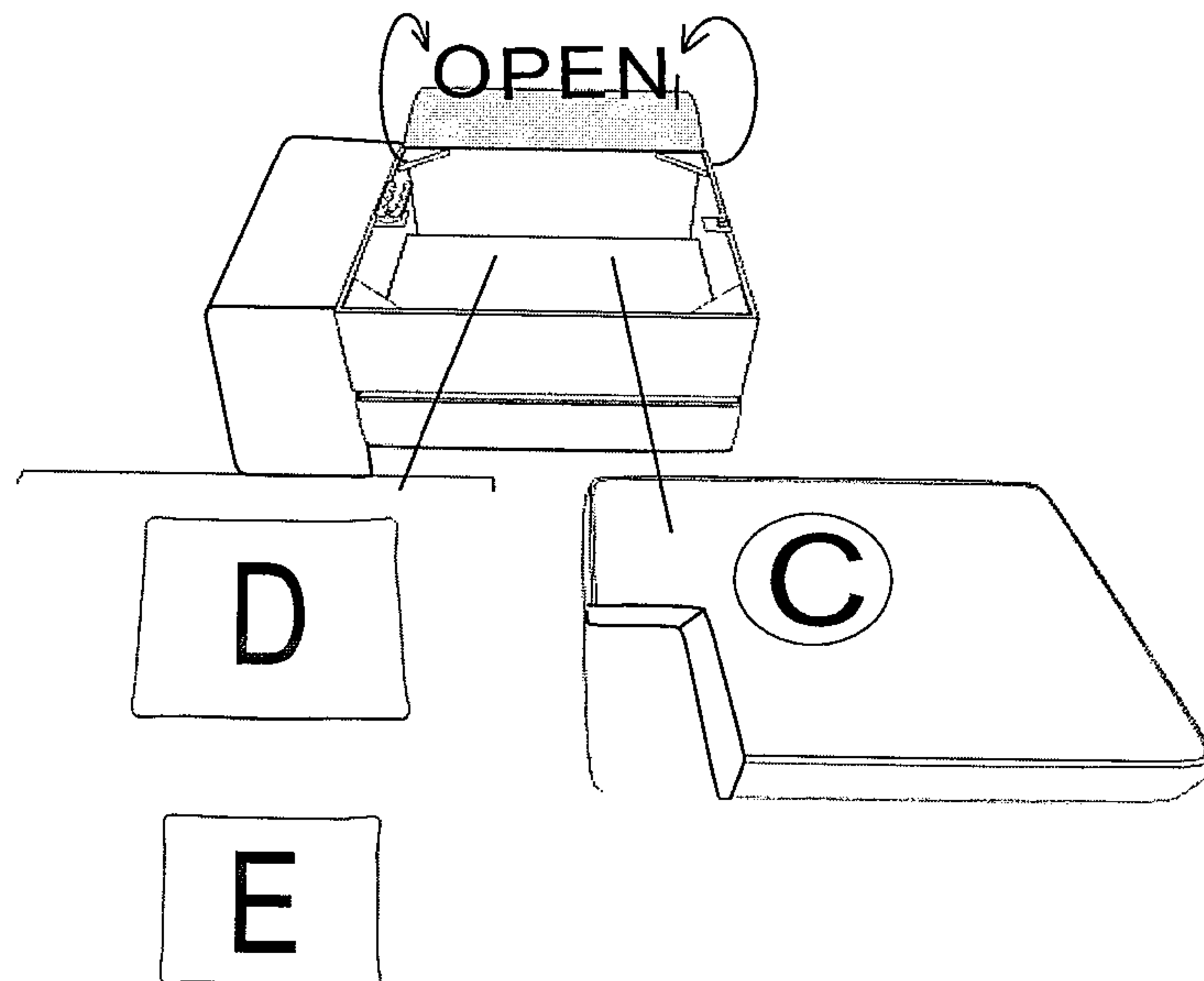


ASSEMBLY INSTRUCTION

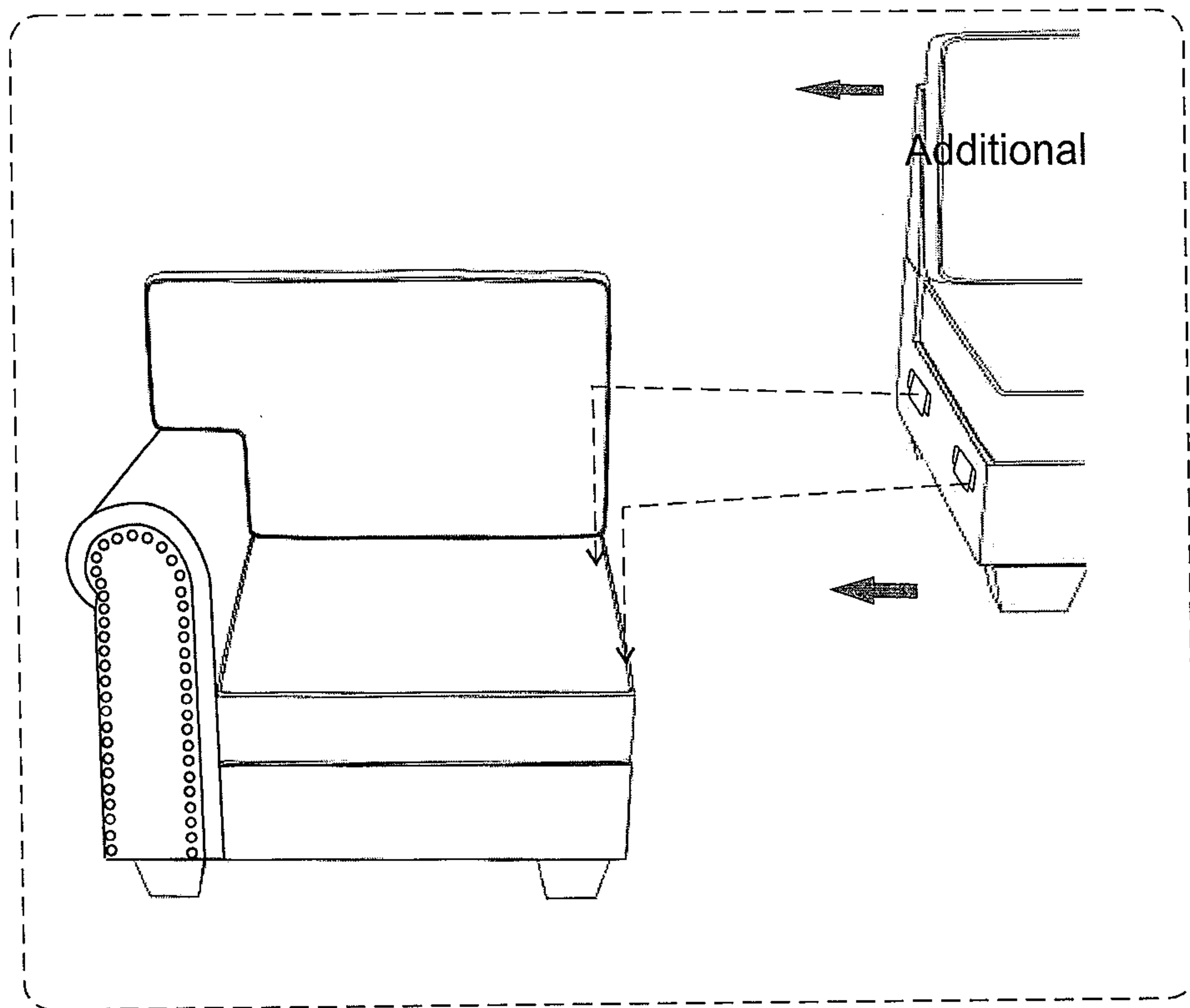
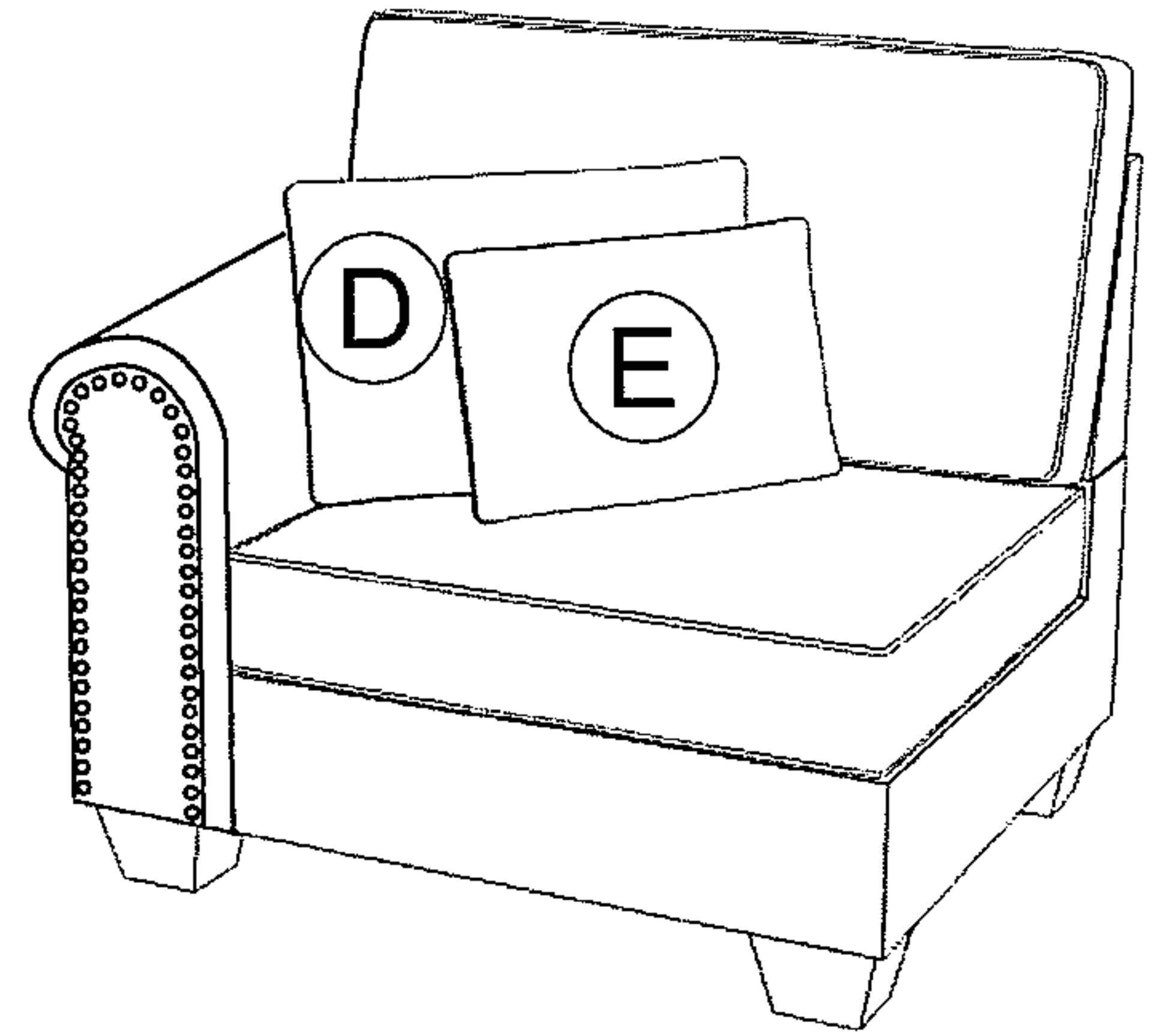
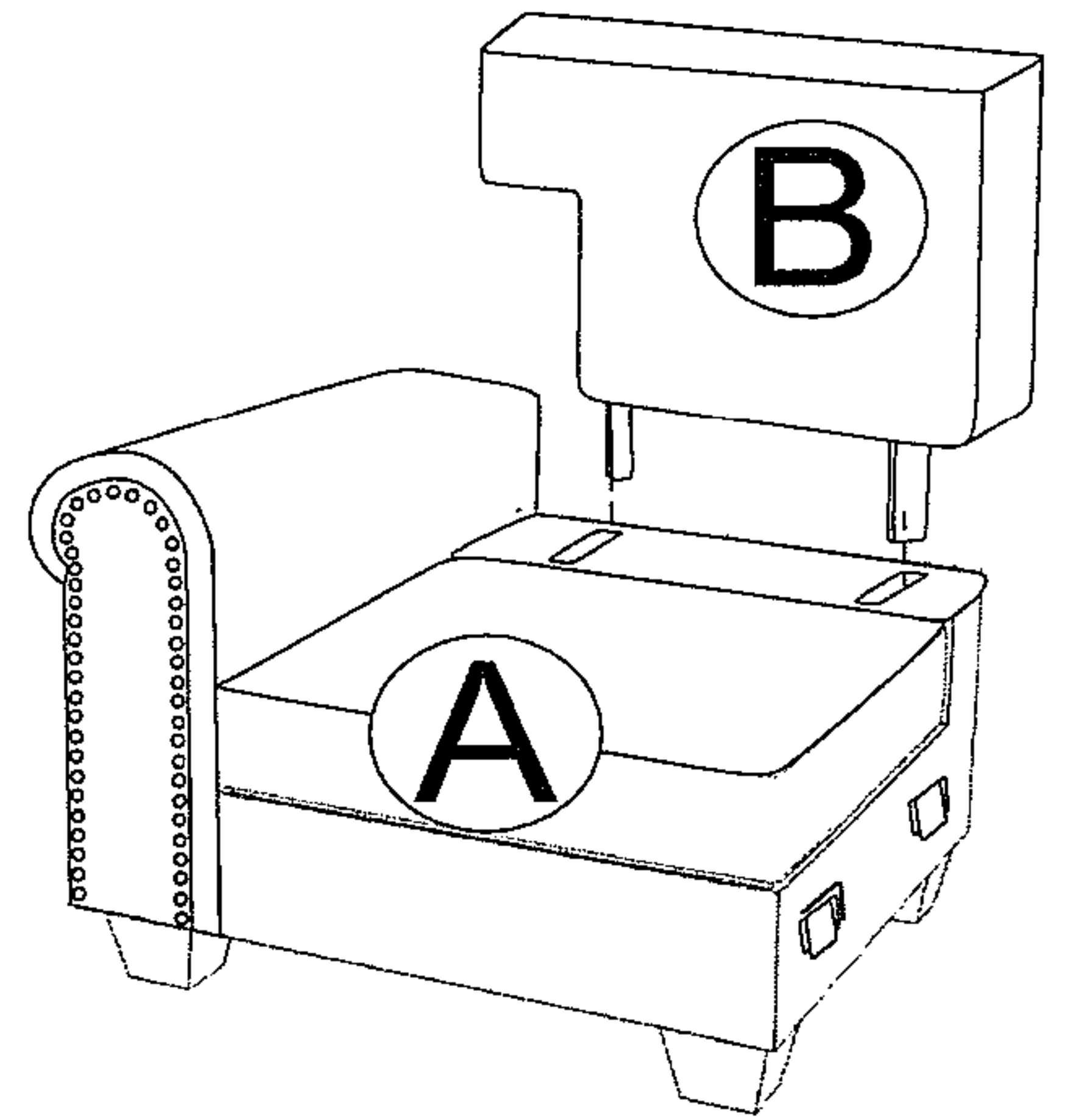
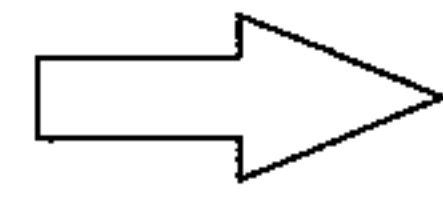
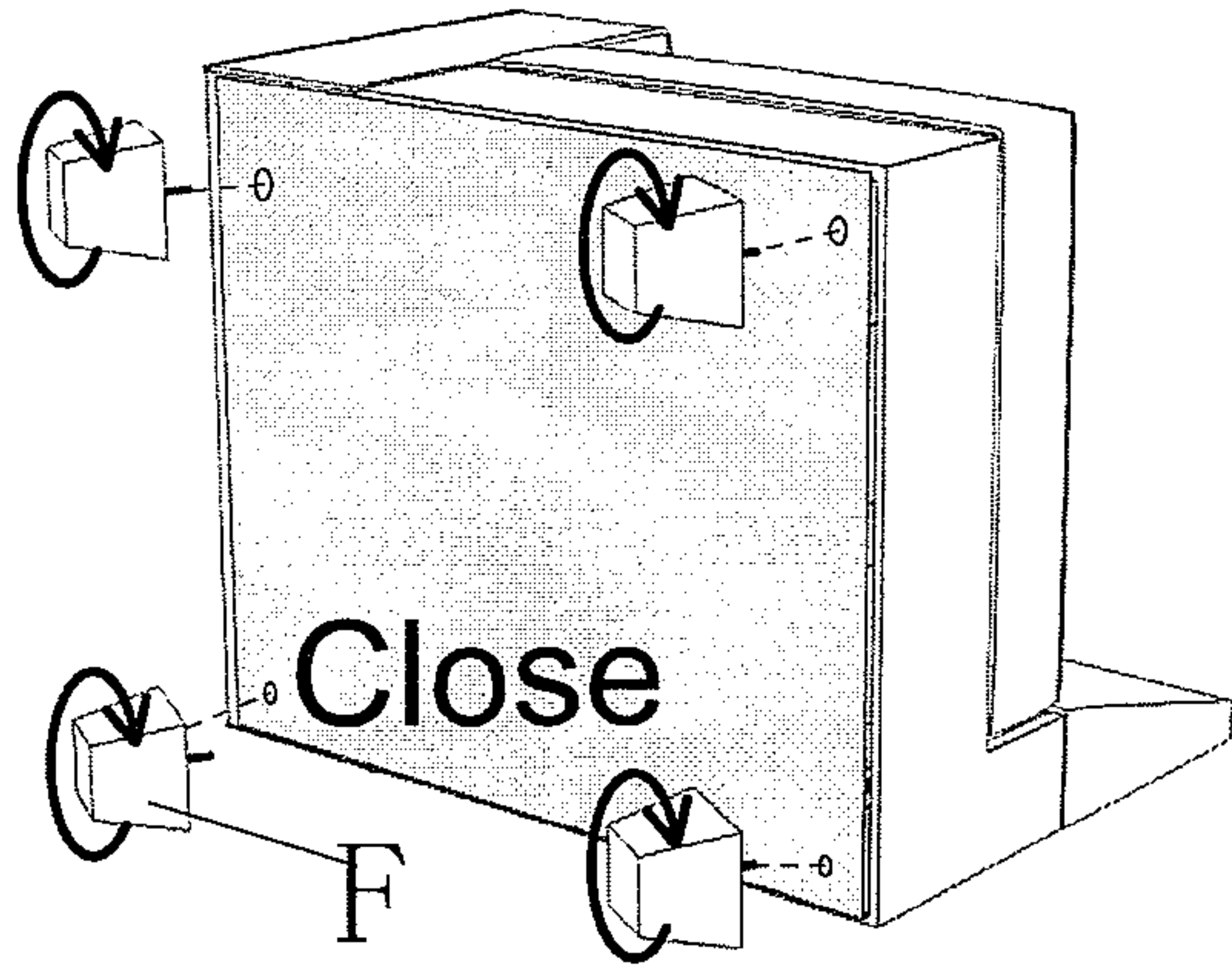


PARTS LIST

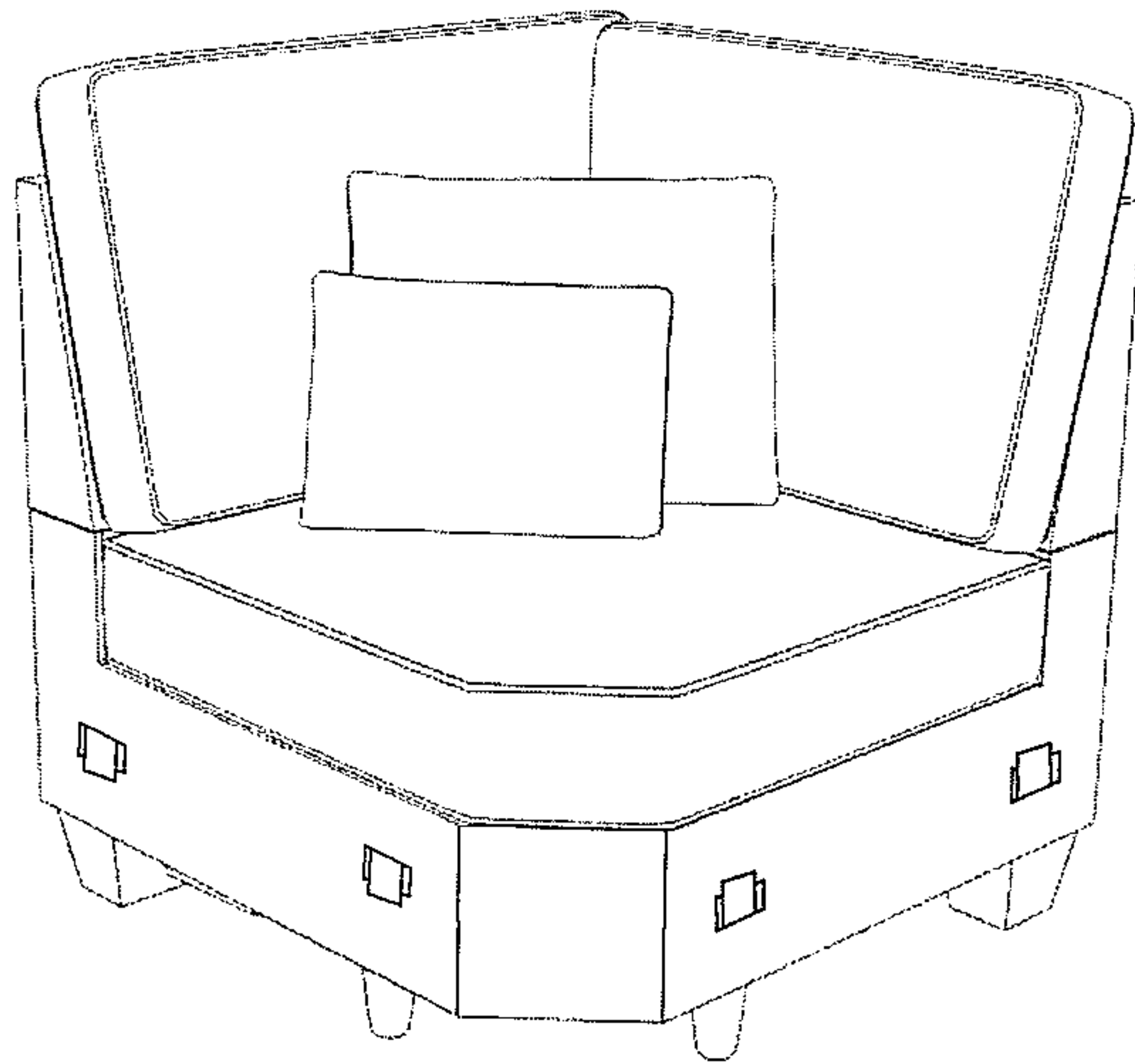
											
A	x1	B	x1	C	x1	D	x1	E	x1	Leg	x4



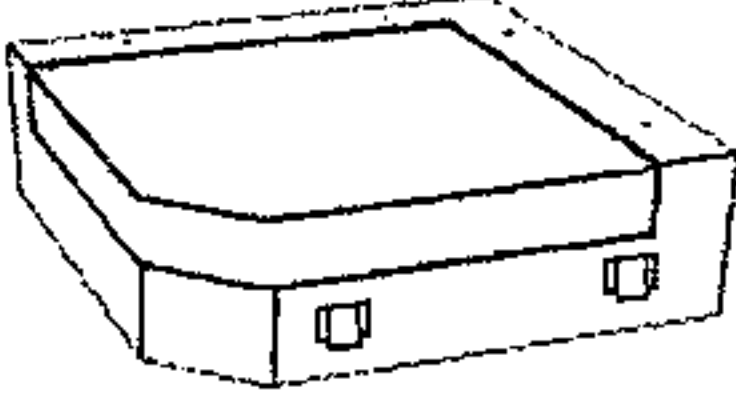

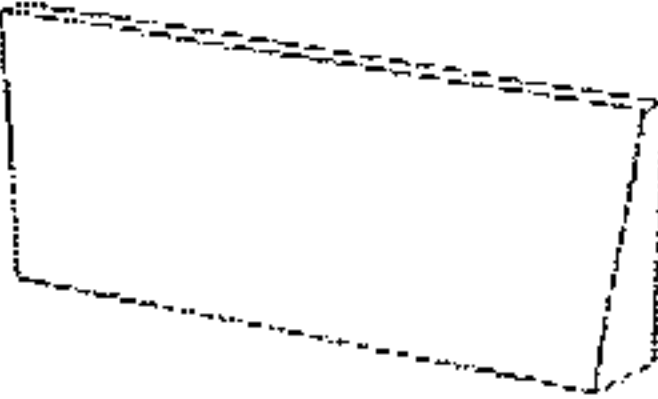




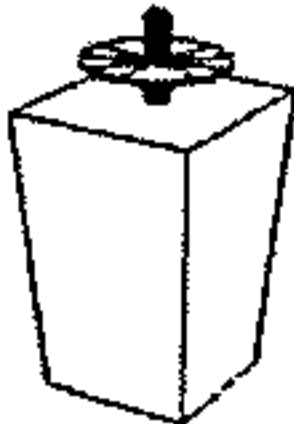

Step1

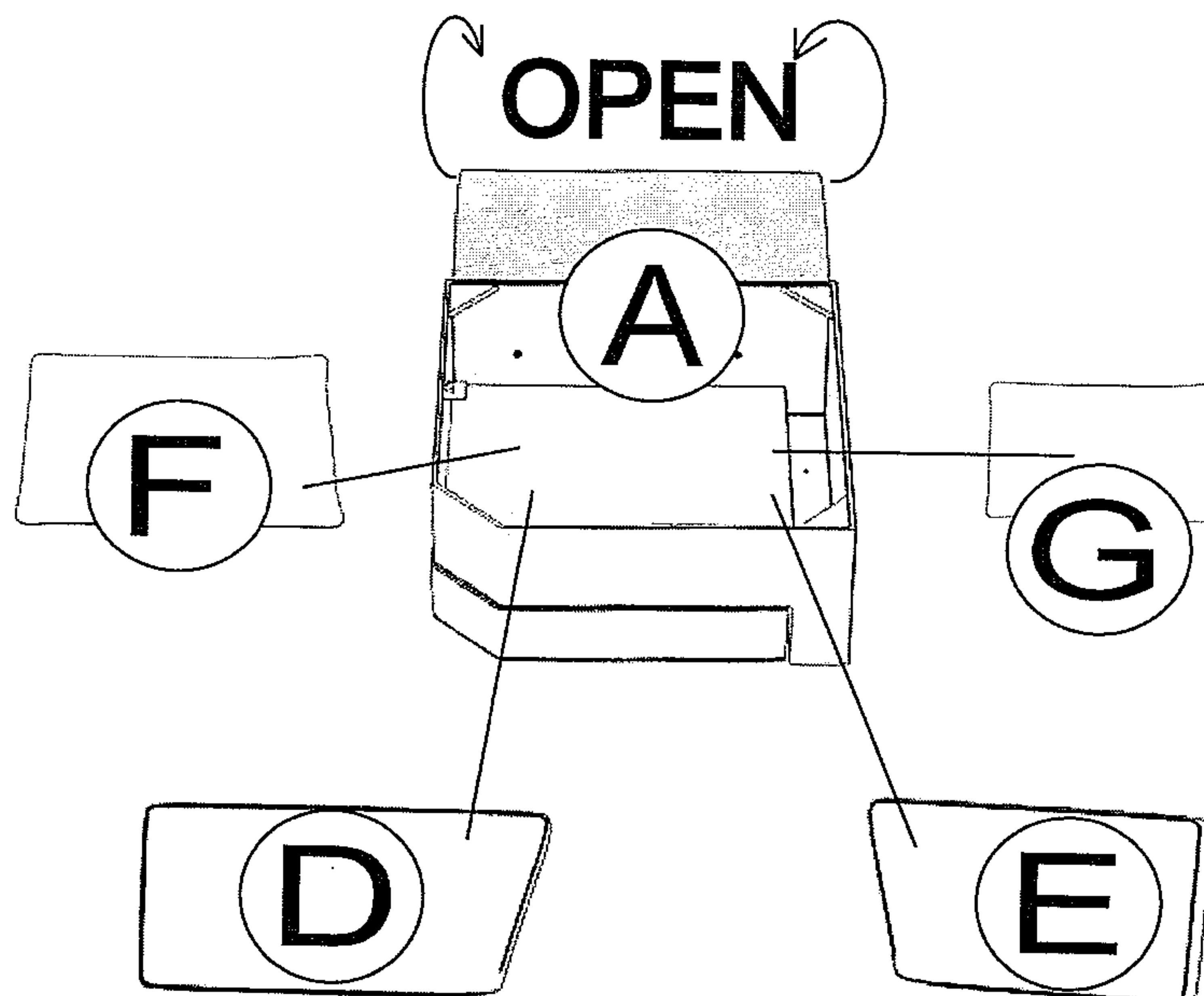


ASSEMBLY INSTRUCTION

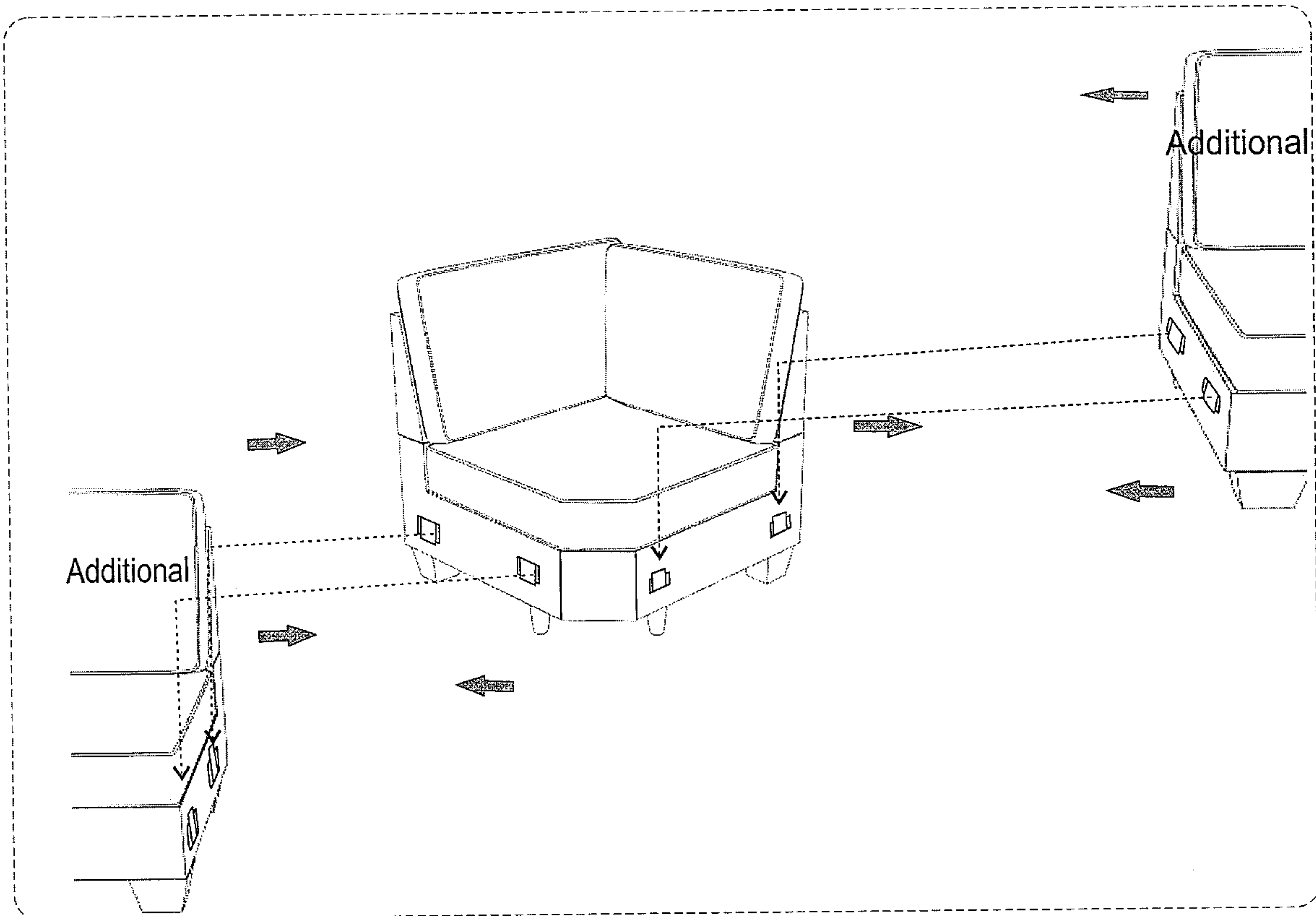
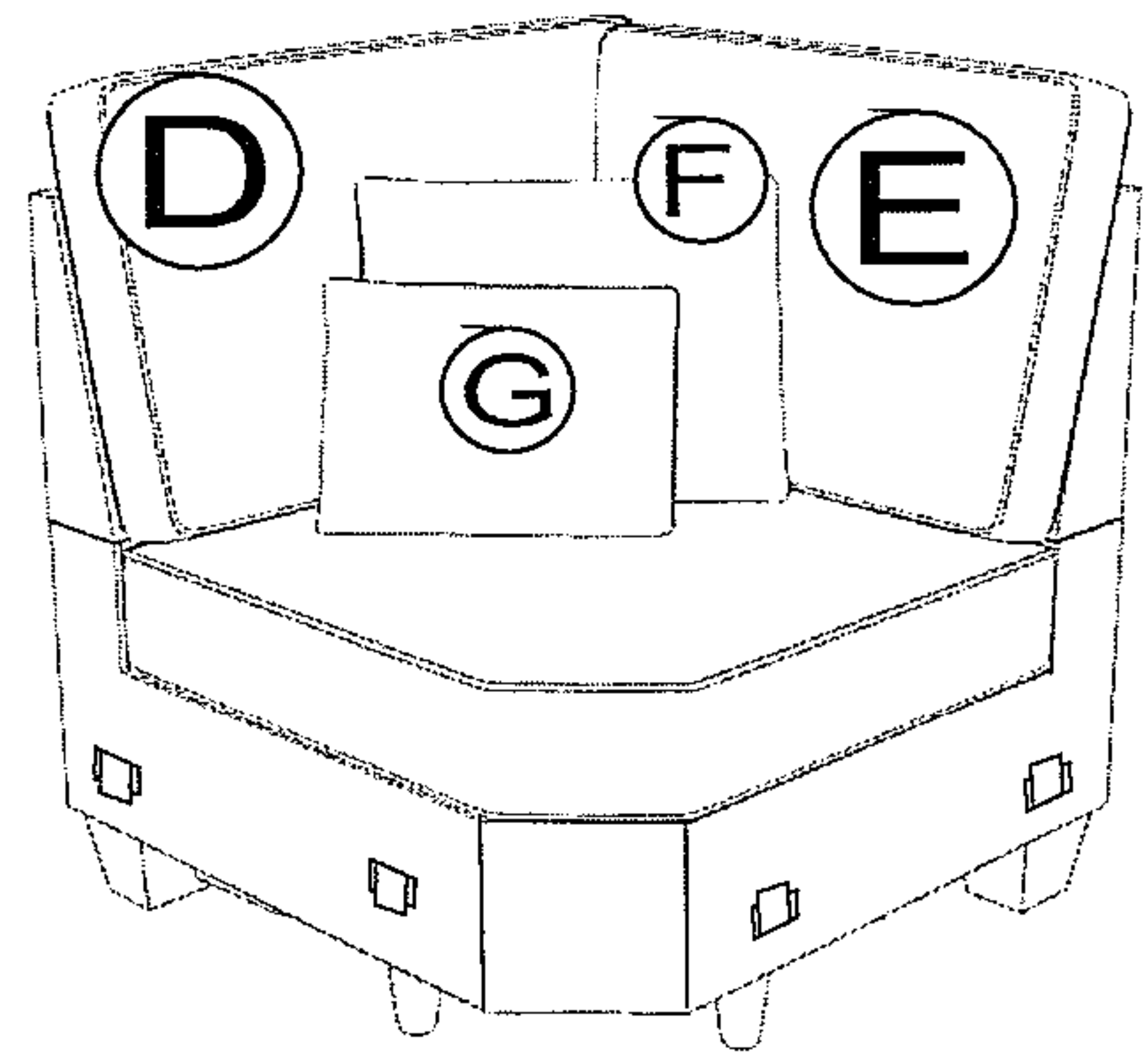
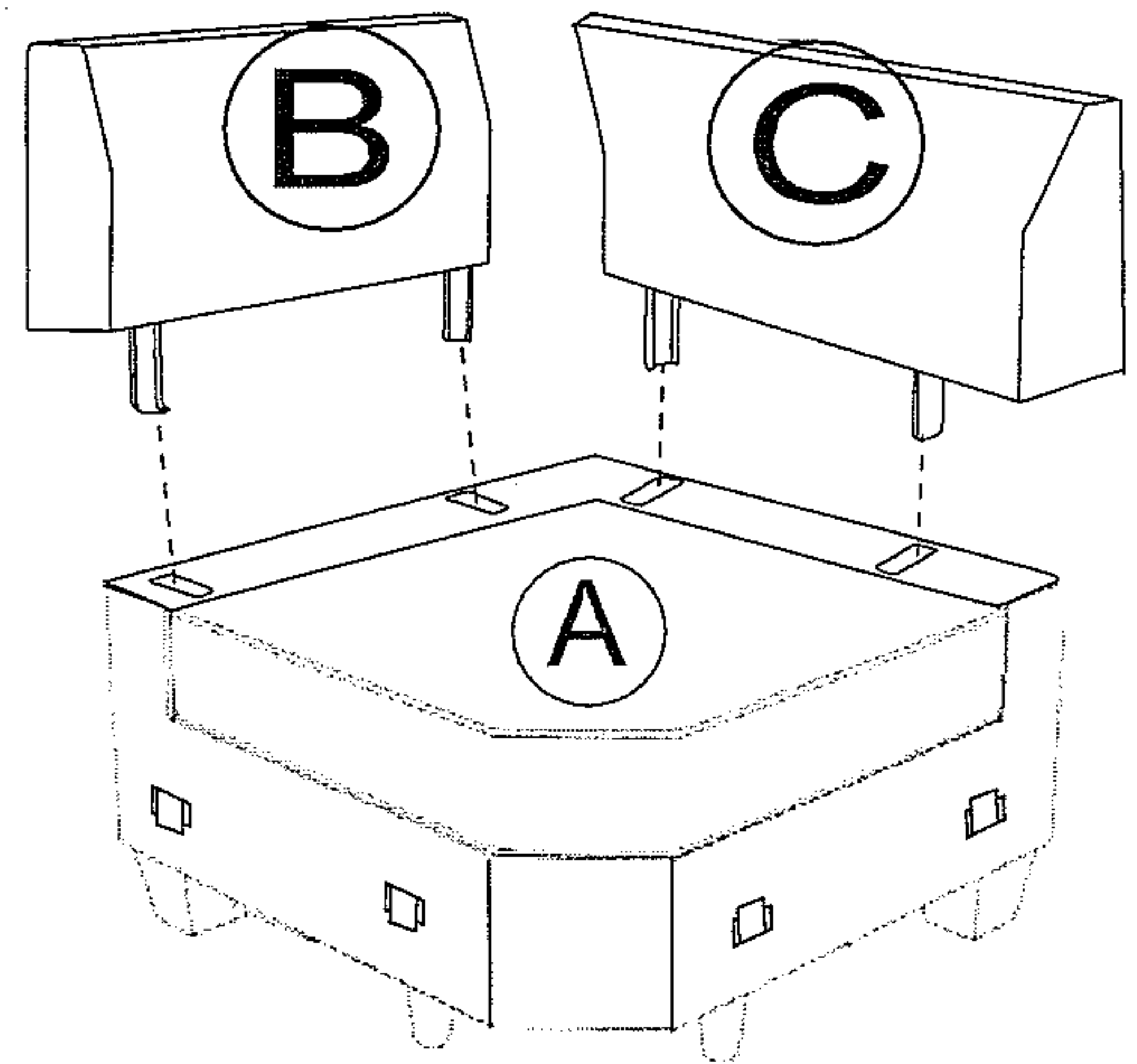
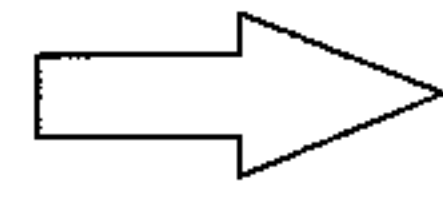
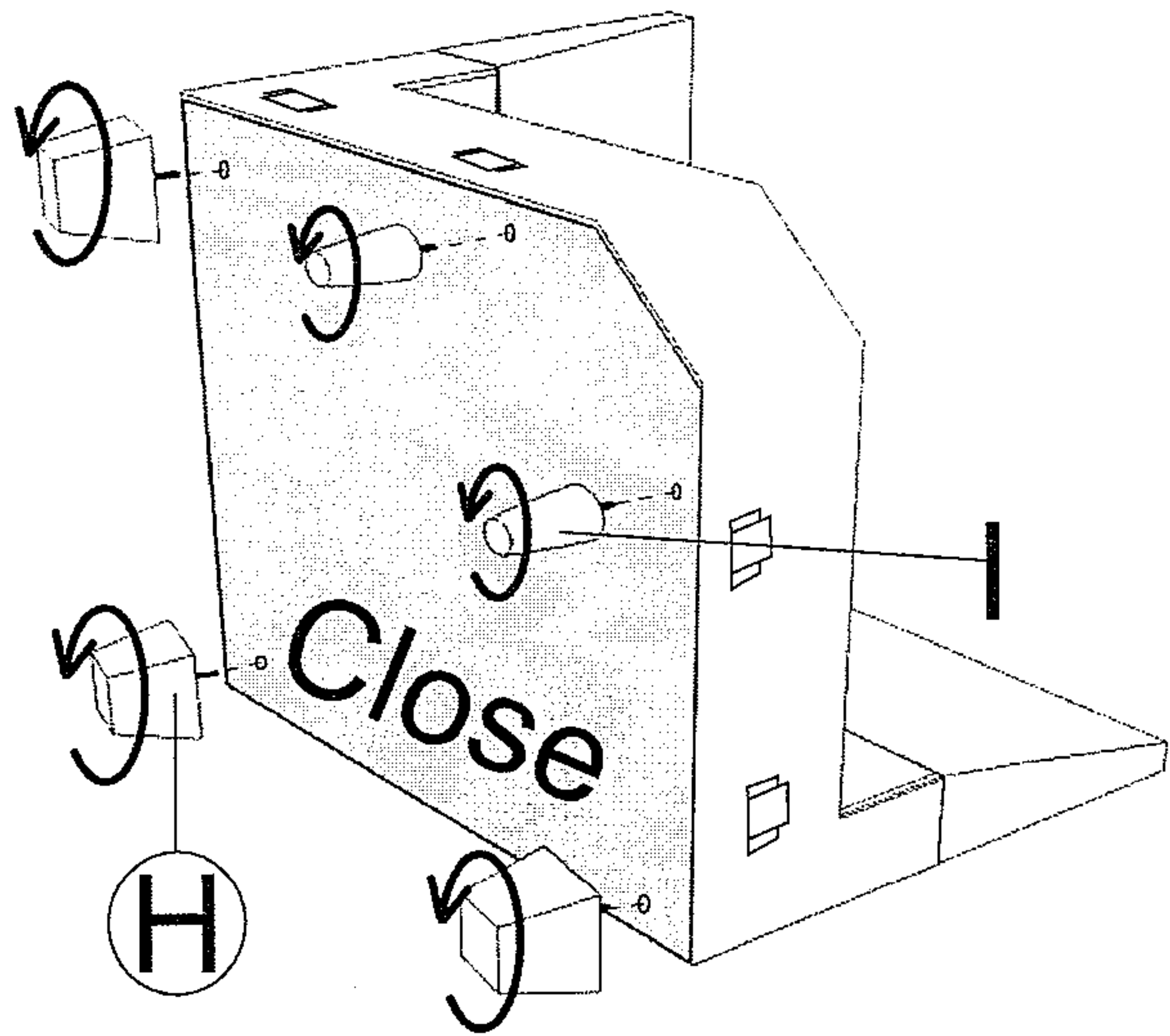


PARTS LIST

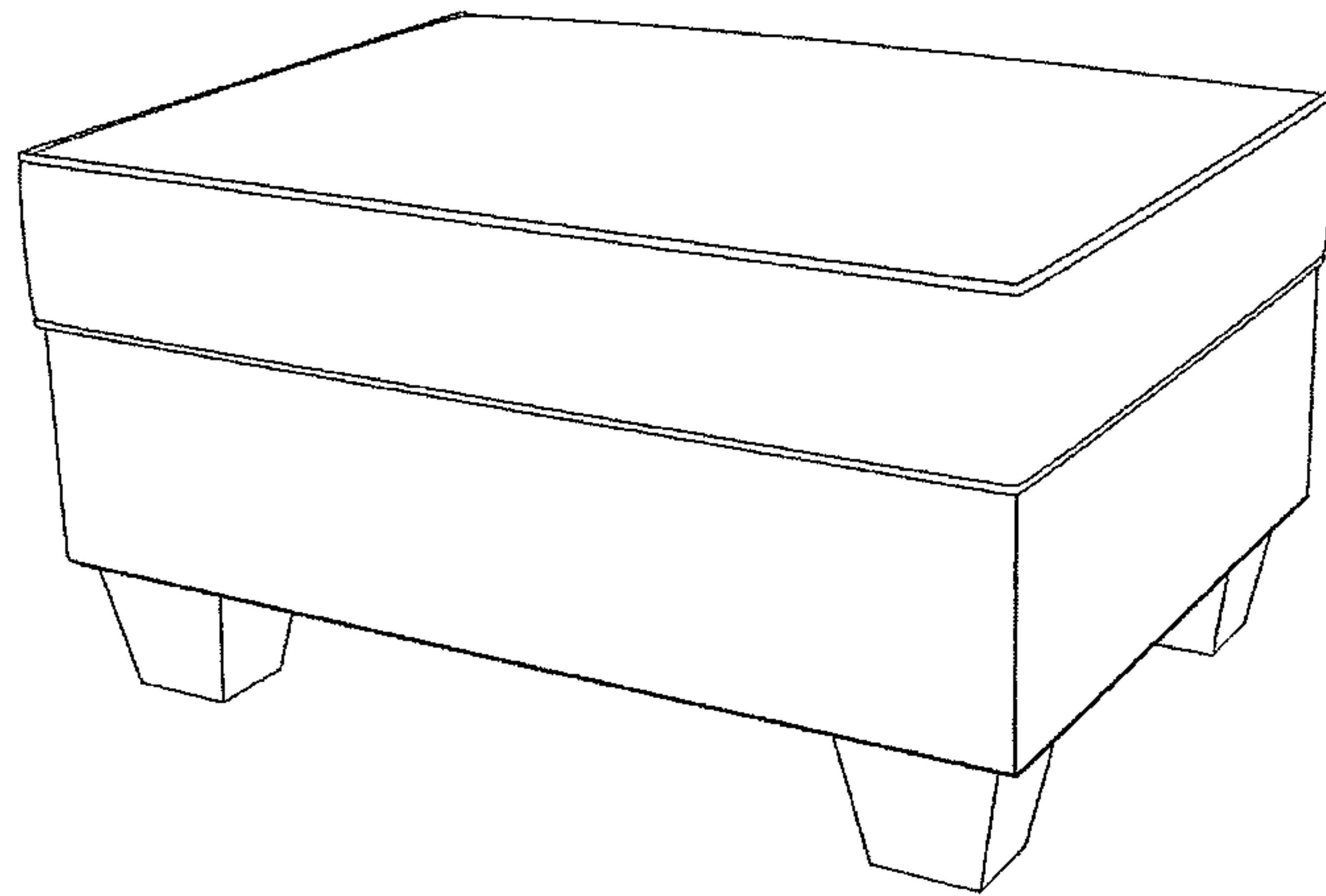
				
A x1	B x1	C x1	D x1	E x1
				
F x1	G x1	H Leg x3	I Leg x2	



Step1



ASSEMBLY INSTRUCTION

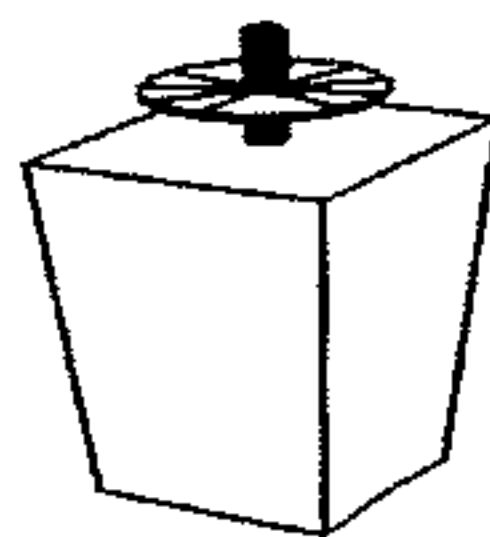


PARTS LIST



A

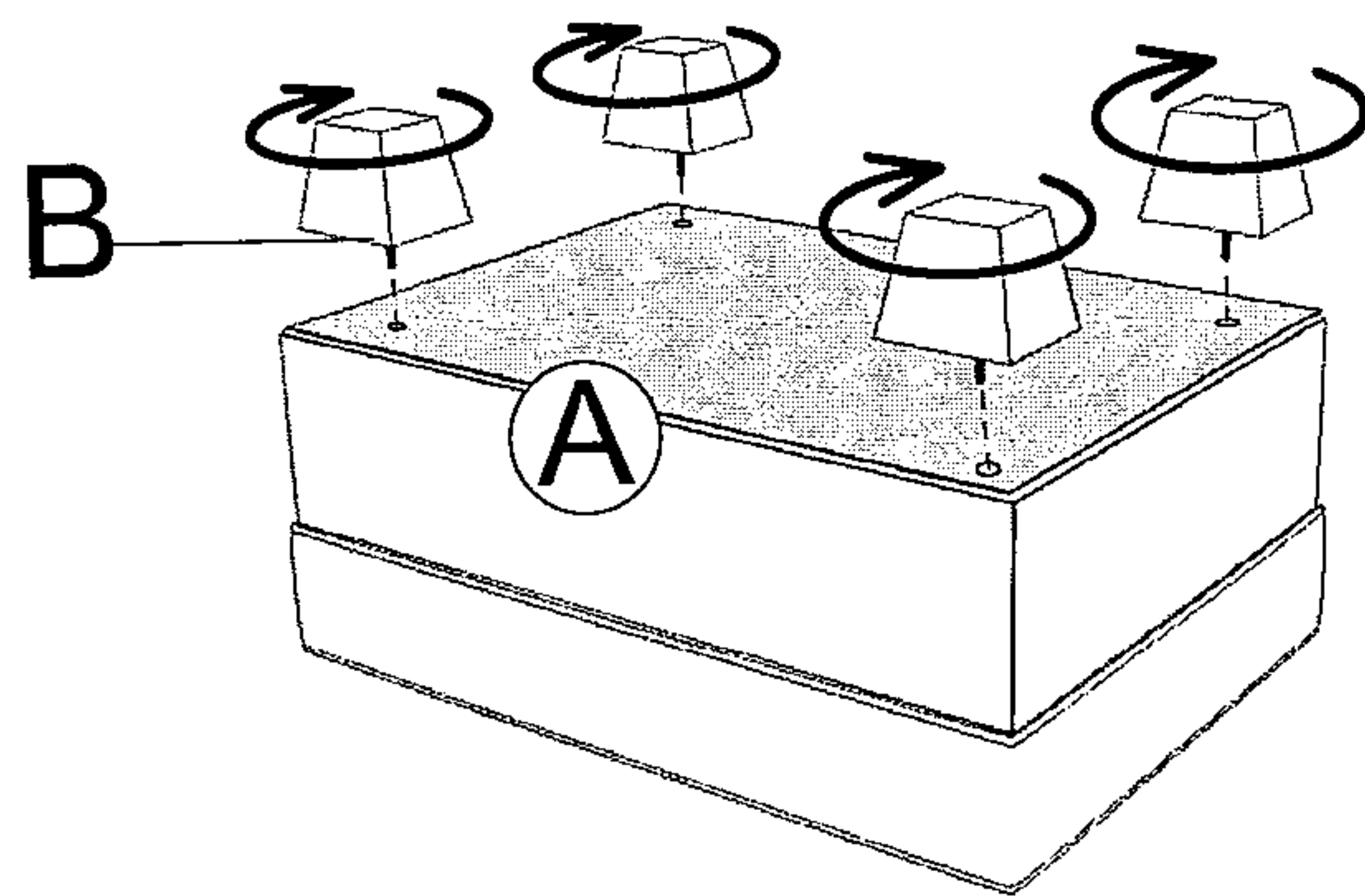
x1



B

x4

Step1



Step2

