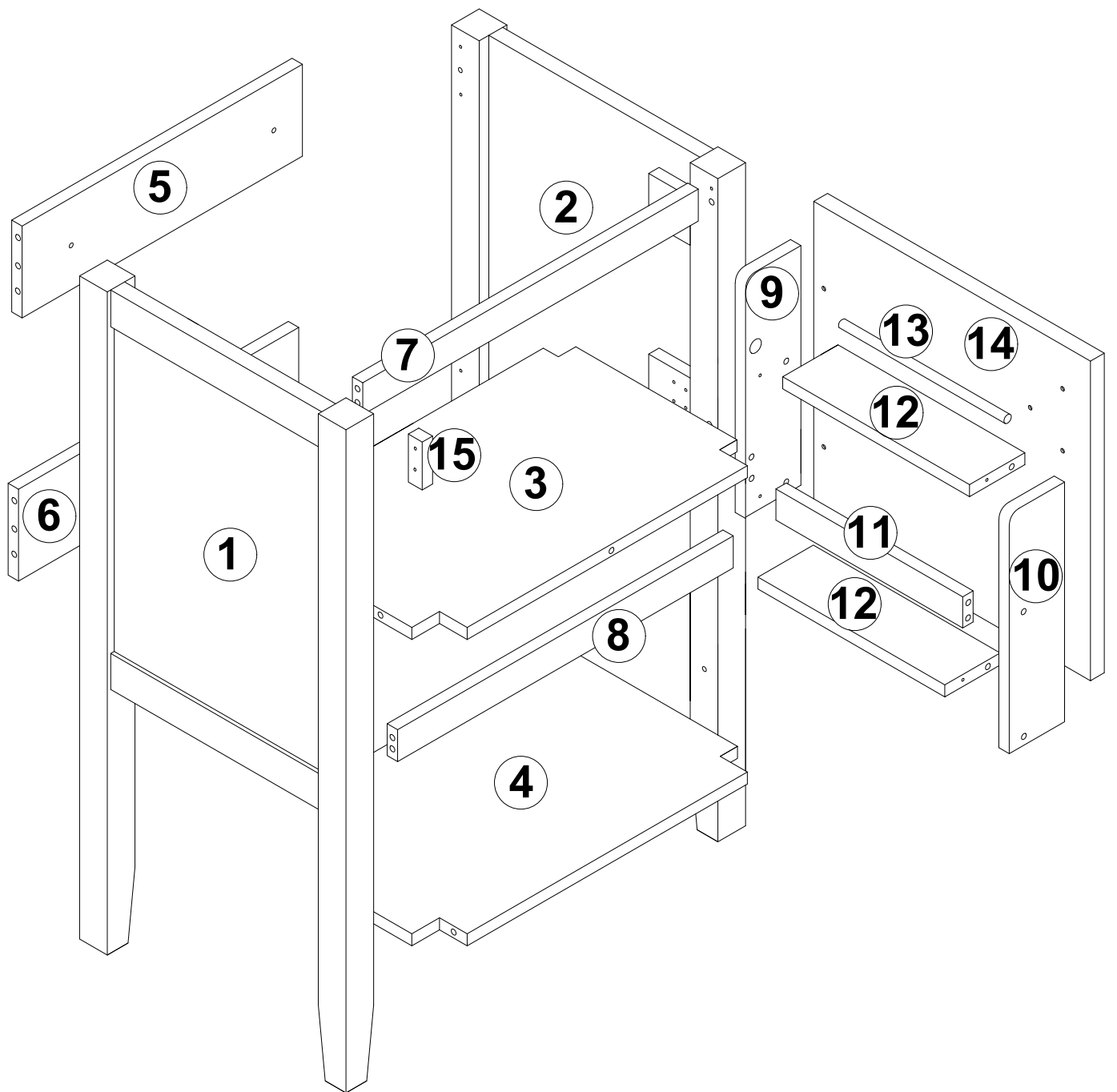
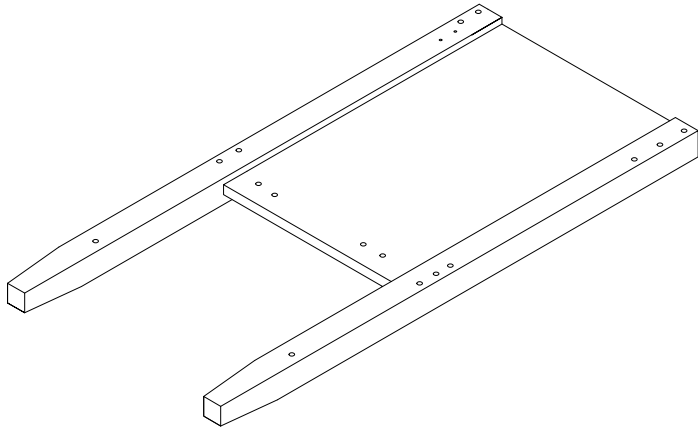


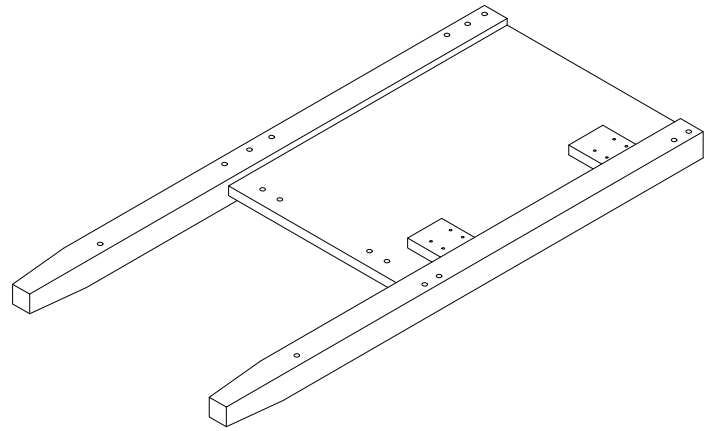
ASSEMBLY INSRTRUCTION



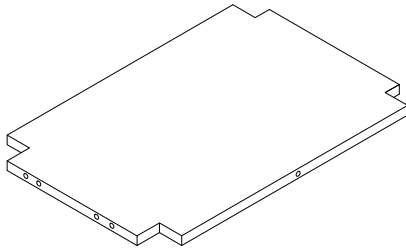




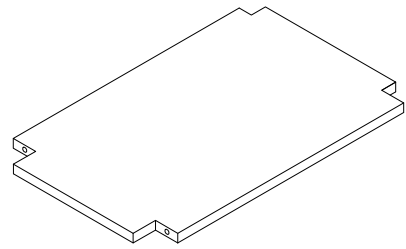
① x 1



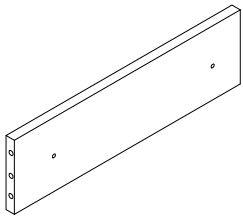
② x 1



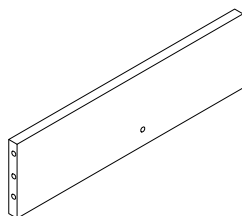
③ x 1



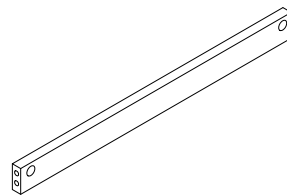
④ x 1



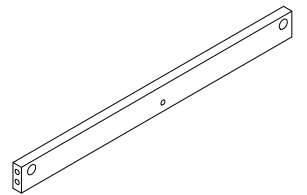
⑤ x 1



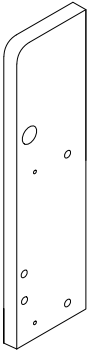

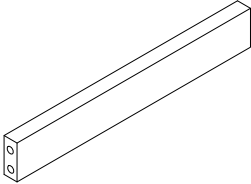
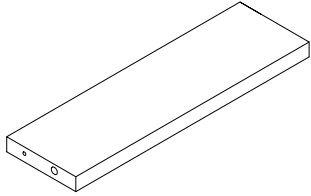
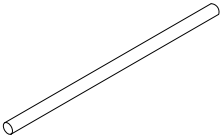
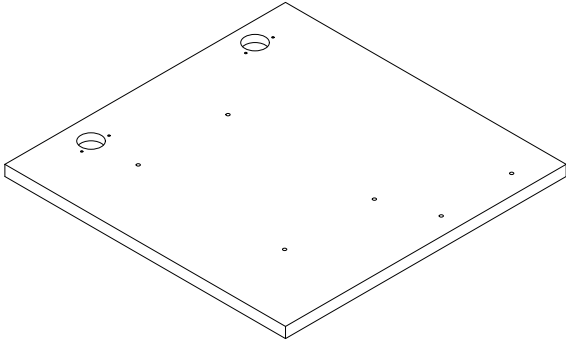
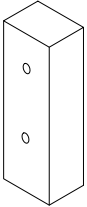
⑥ x 1

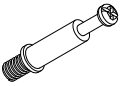

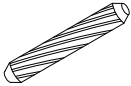
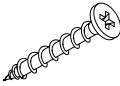

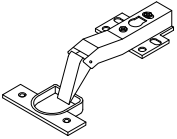

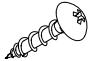
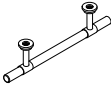
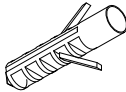
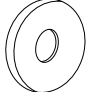



⑦ x 1

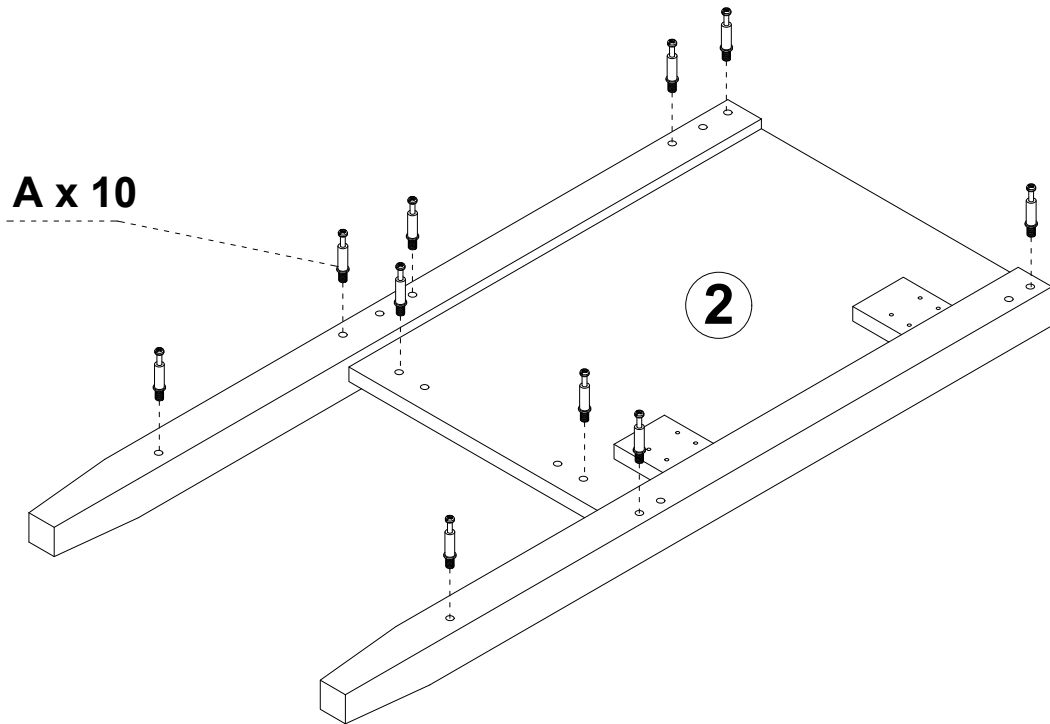


⑧ x 1

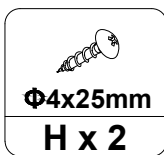
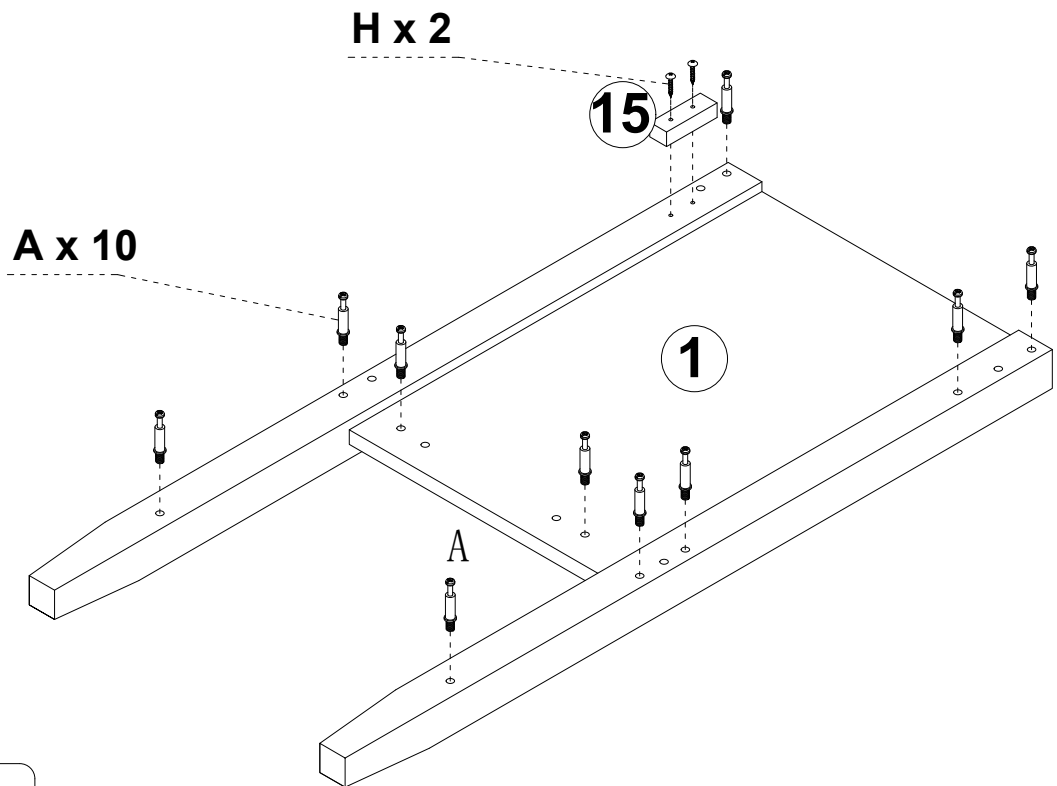
| | | | |
|--|---|--|--|
|  |  |  |  |
| 9 x 1 | 10 x 1 | 11 x 1 | 12 x 2 |
|  |  | |  |
| 13 x 1 | 14 x 1 | | 15 x 1 |

| | | | | | |
|---|---|---|--|---|---|
|  |  |  |  |  |  |
| Φ6x35mm A x 26+2 | Φ15x12mm B x 26+2 | Φ8x30mm C x 20+2 | Φ5x40mm D x 4 | Φ4x14mm E x 12+1 | F x 2 |
|  |  |  |  |  |  |
| Φ4x20mm G x 2 | Φ4x25mm H x 2 | I x 1 | Φ8x40mm J x 2 | Φ20 K x 2 | Φ6x60mm L x 2 |

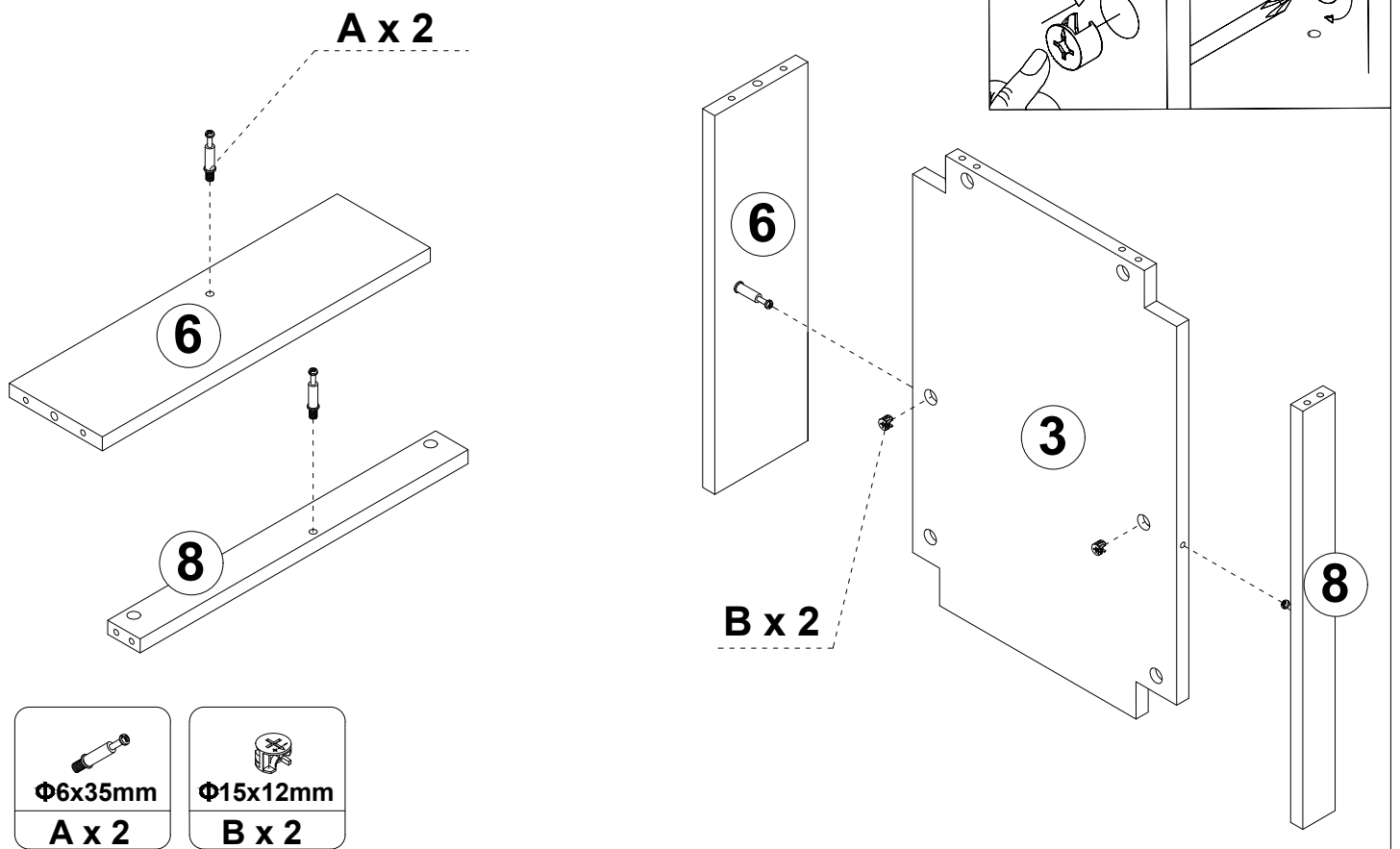
Step 1



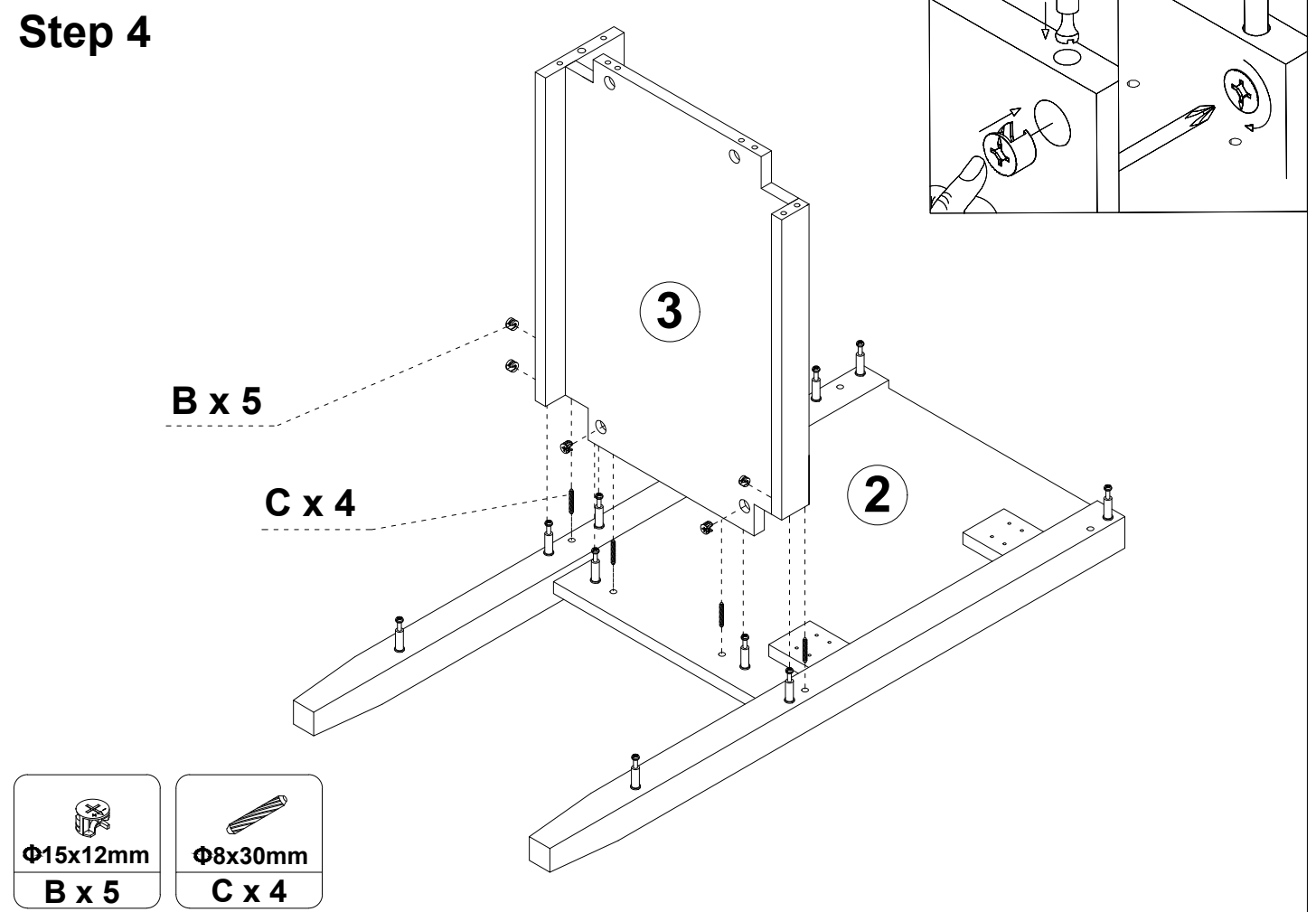
Step 2



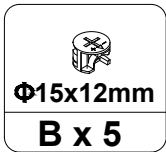
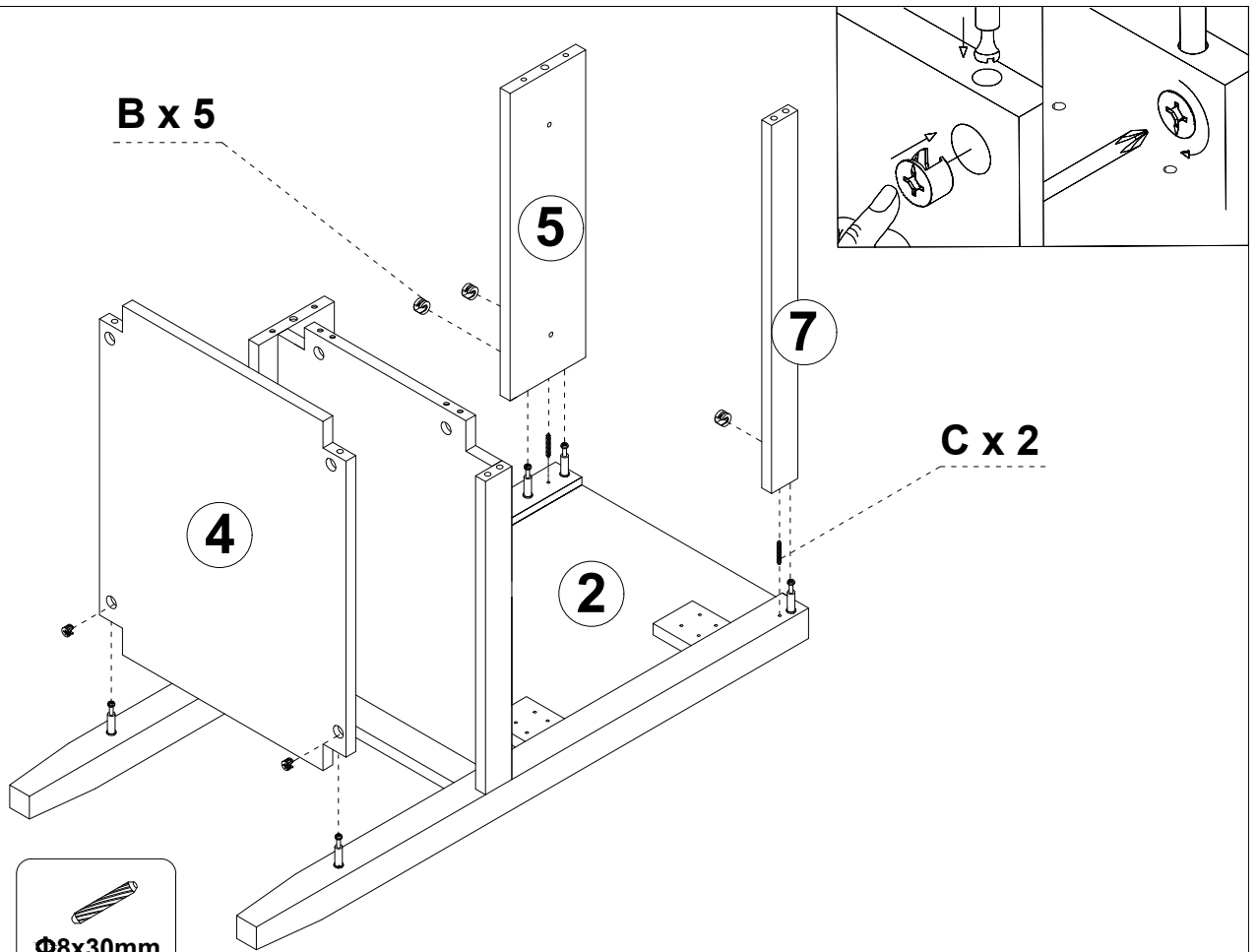
Step 3



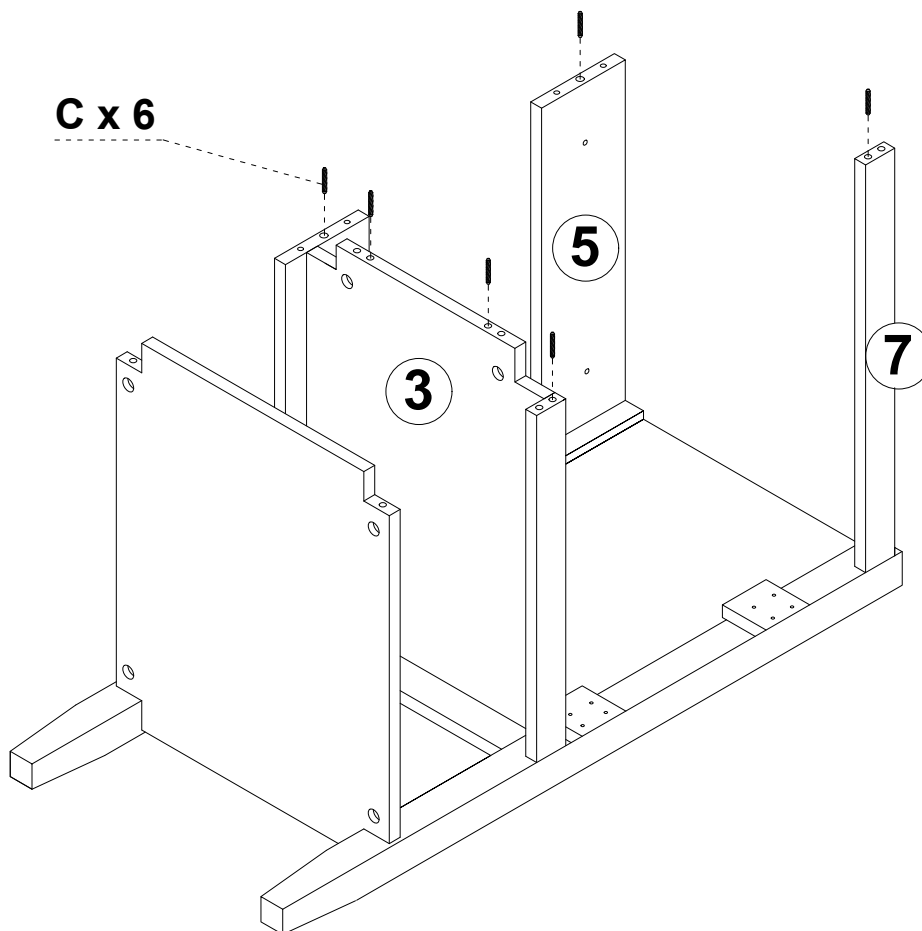
Step 4



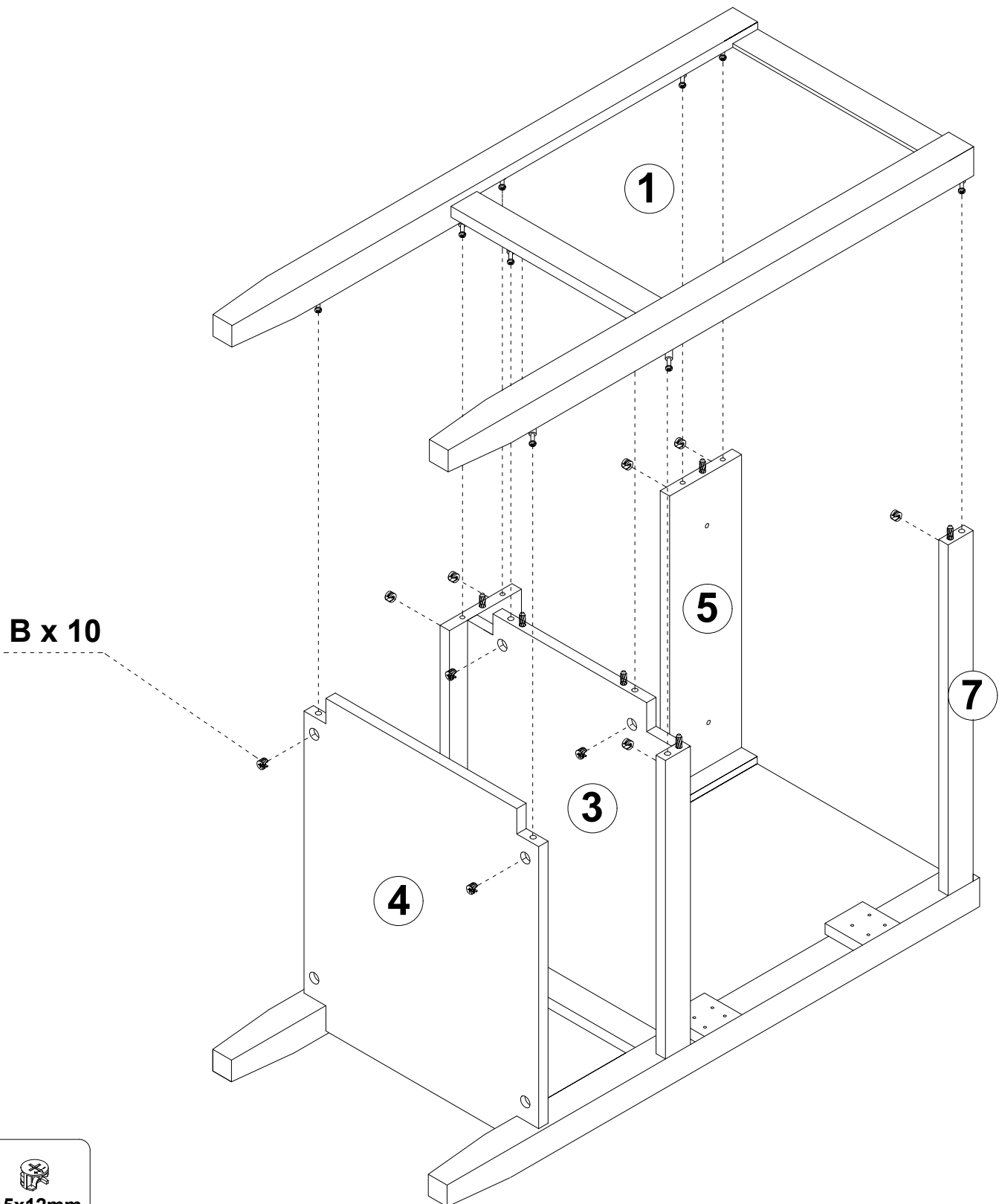
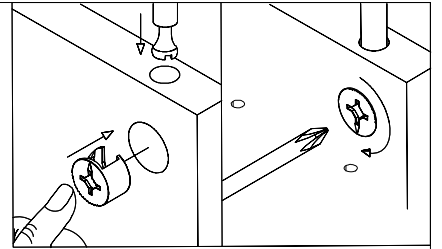
Step 5



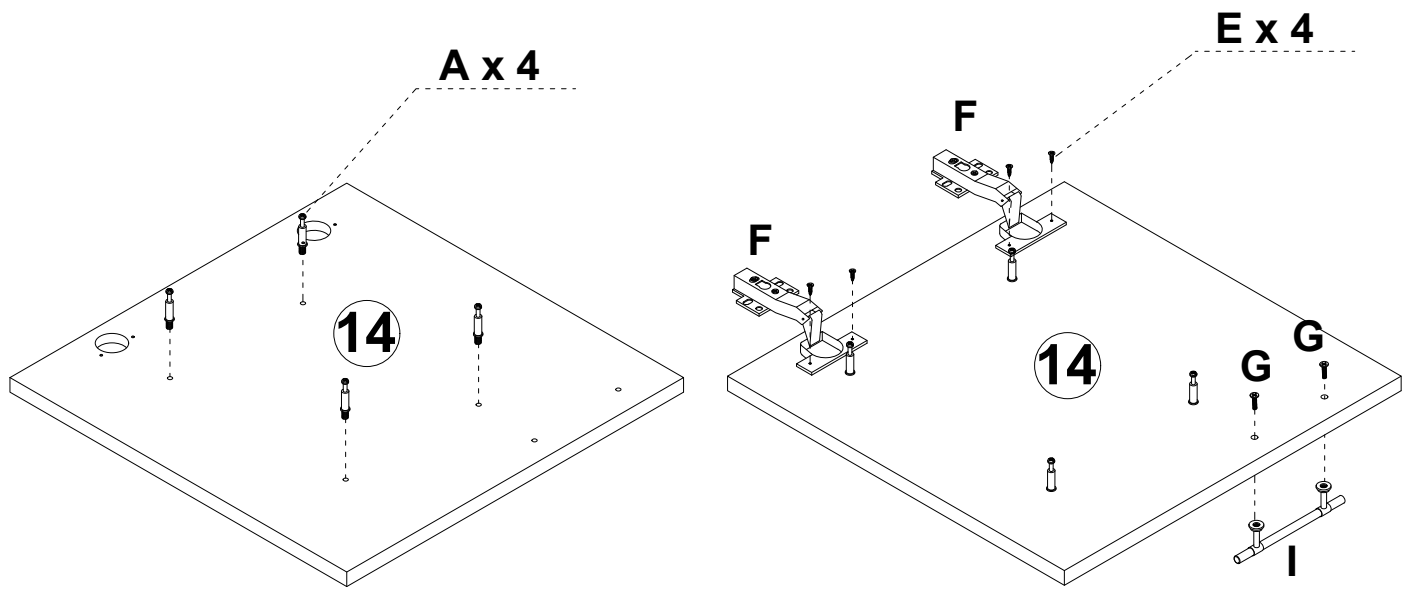
Step 6



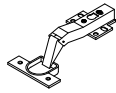

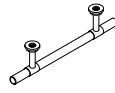


Step 7

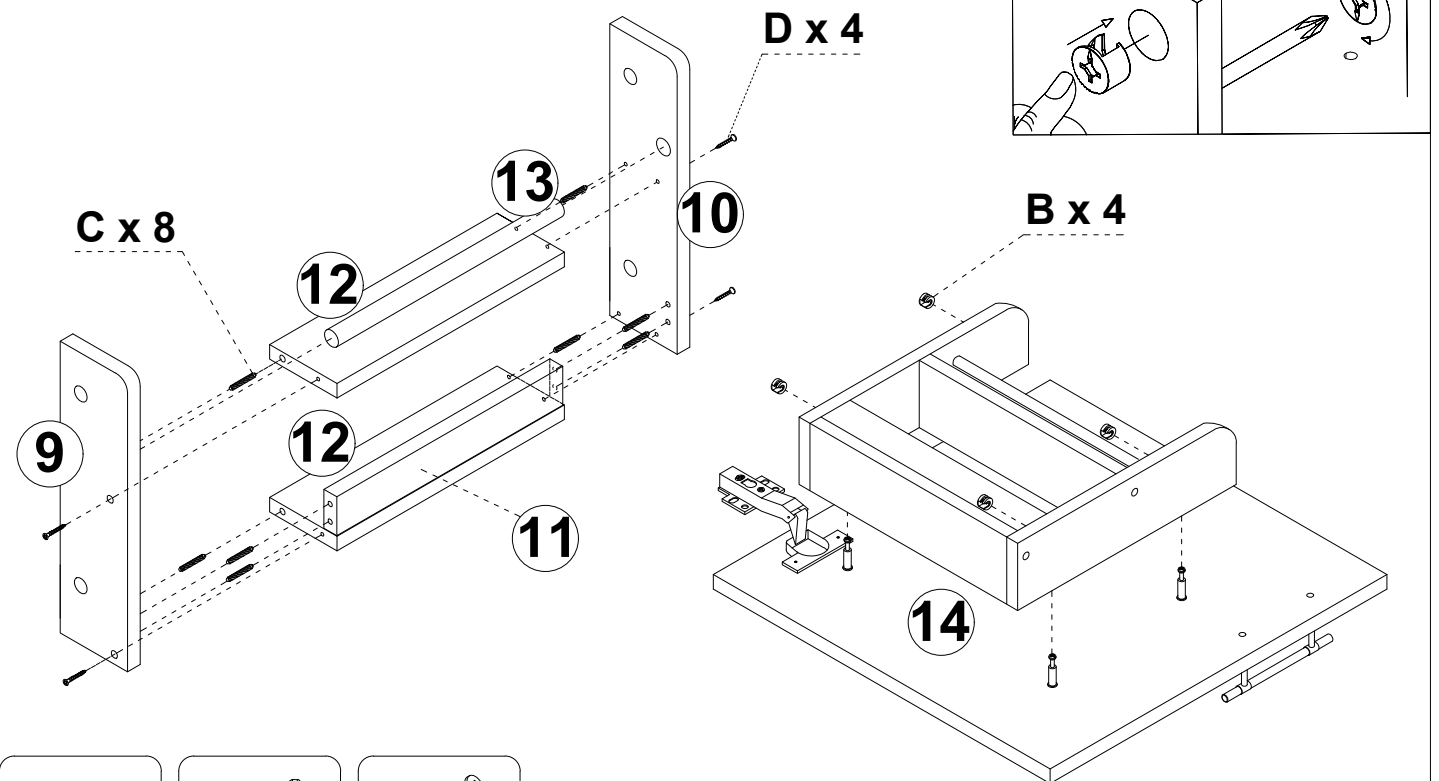


Step 8



- | | | | | |
|--|---|---|--|---|
|  Φ6x35mm A x 4 |  Φ4x14mm E x 4 |  F x 2 |  Φ4x20mm G x 2 |  I x 1 |
|--|---|---|--|---|

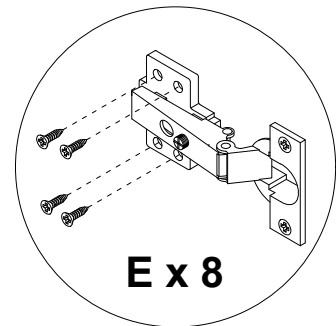
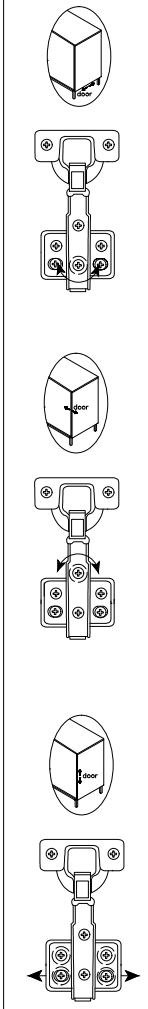
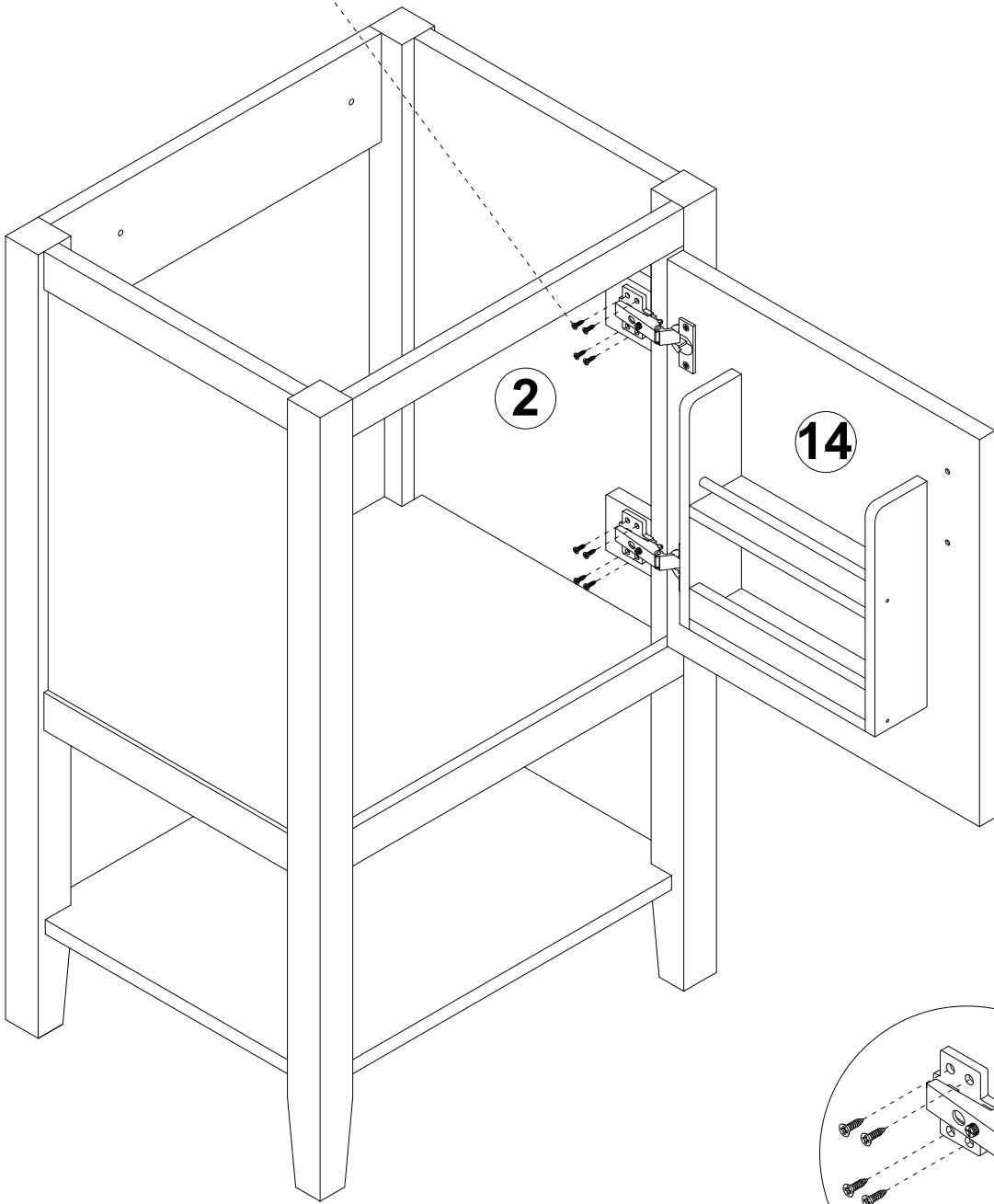
Step 9



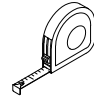
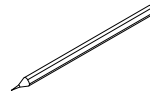
- | | | |
|--|---|---|
|  Φ15x12mm B x 4 |  Φ8x30mm C x 8 |  Φ5x40mm D x 4 |
|--|---|---|

Step 10

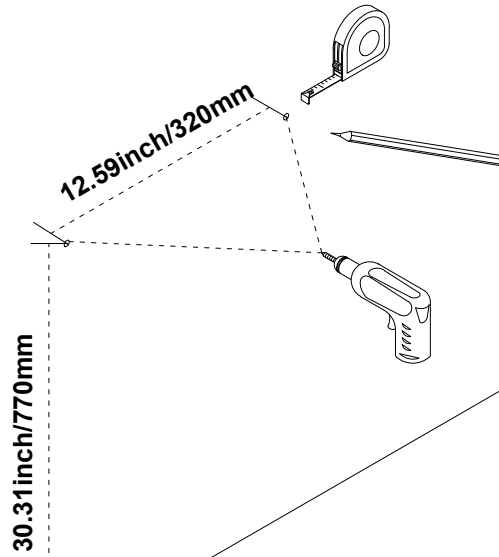
E x 8



Step 11

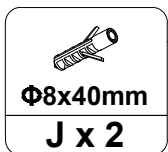
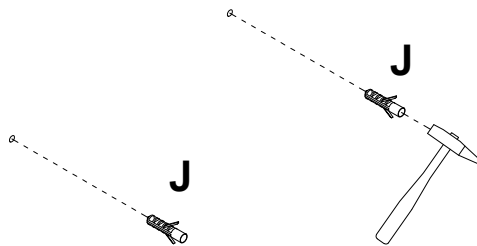


Wall

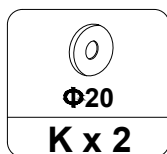
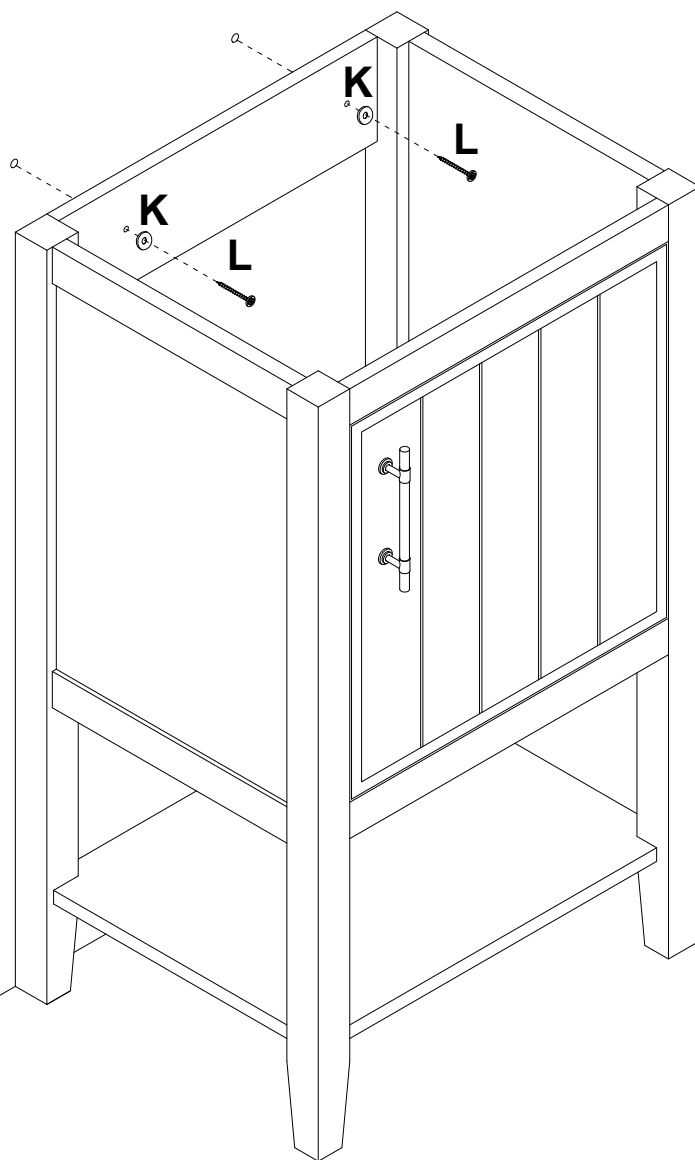


Step 12

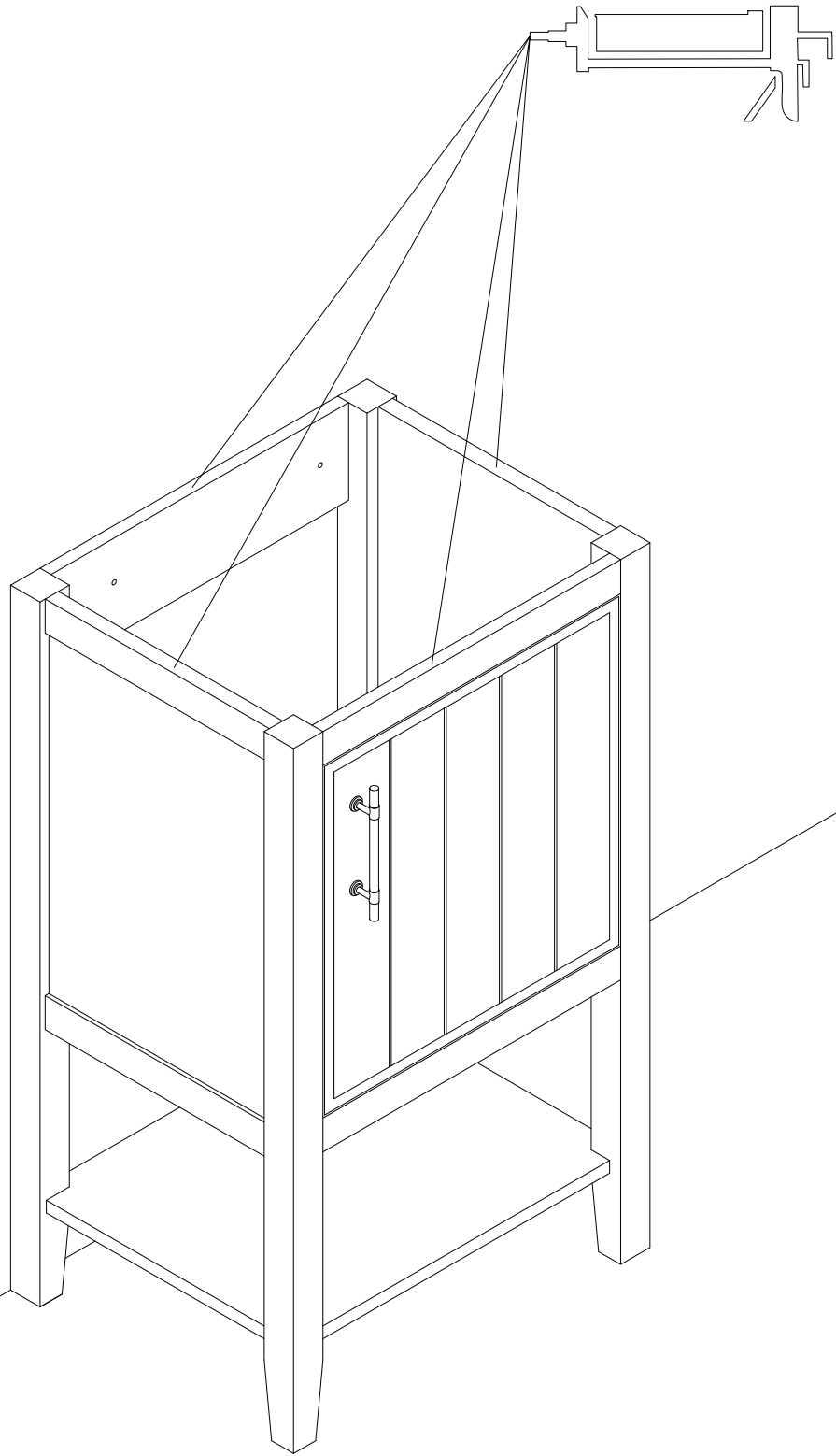
Wall



Step 13



Step 14



Step 15

