

Follow the step-by-step
guide to get everything
set up quickly!

Support Center

If you have any issues
contact us immediately.

For any issues including missing/damaged components, functional errors, or deviations from expected specifications, contact us to initiate complimentary replacement—eliminating return hassles and ensuring swift resolution.

Thank you for choosing US!

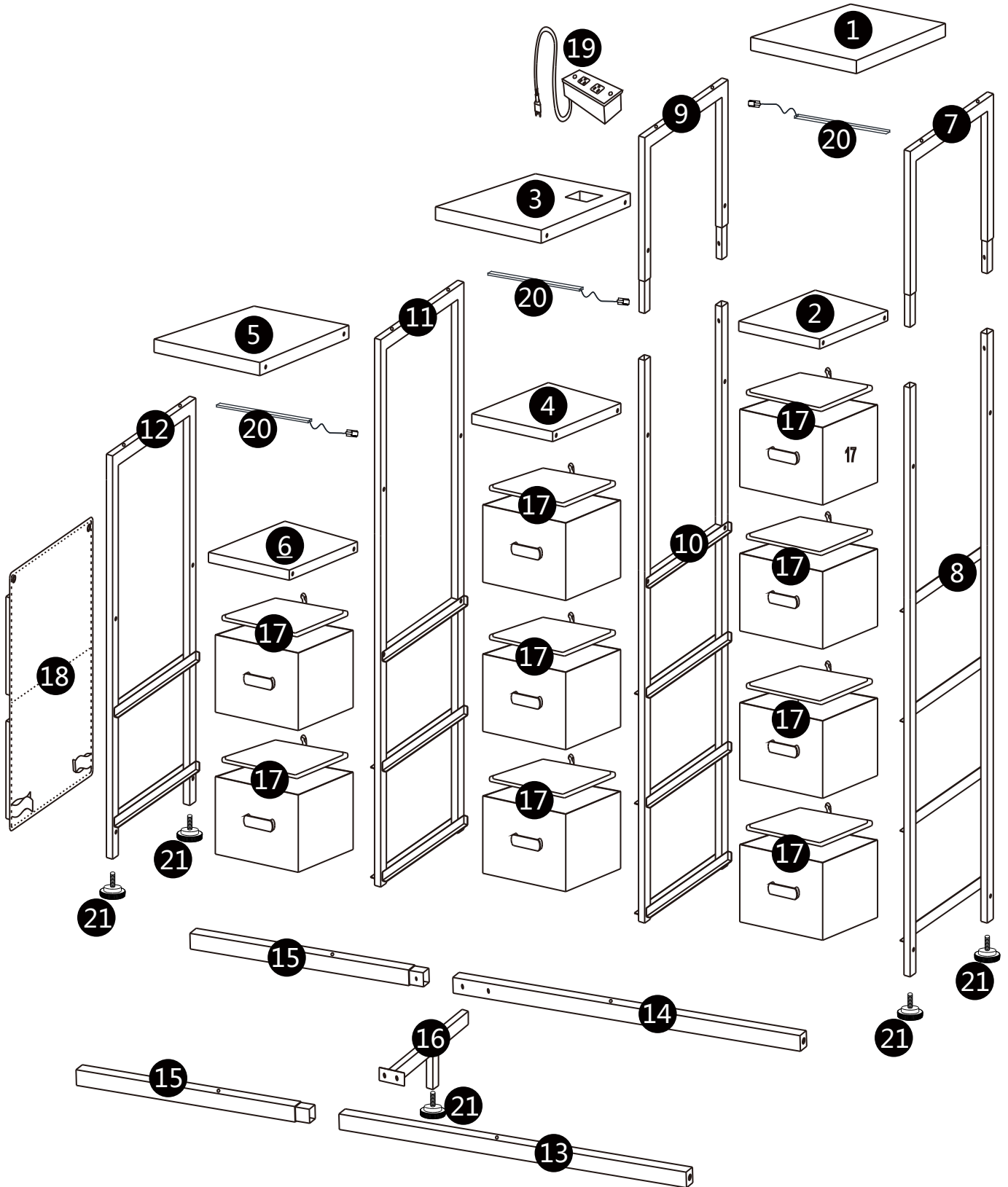
Should this shopping bring you satisfaction, we'd be honored to have your sharing. Your sharing will help us craft lifestyle-enhancing products for all. Please feel free to contact us for any of the following reasons

- Manufacturing defects
- Shipping damage
- Missing parts
- Incorrect items received
- Assembly complications
- Any other questions

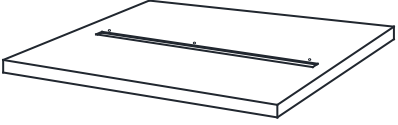

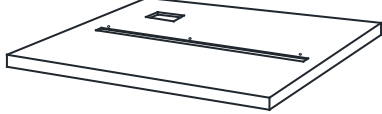


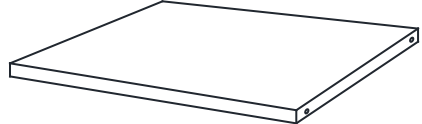
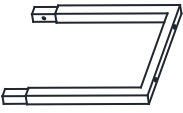

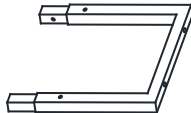
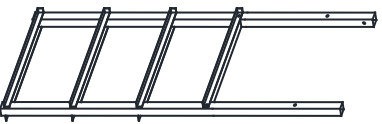
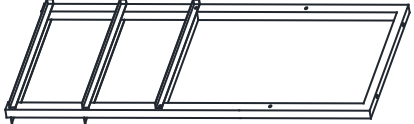
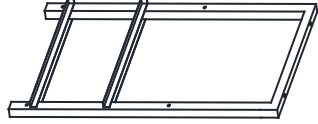



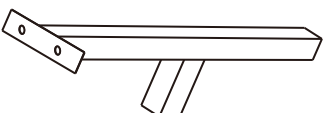
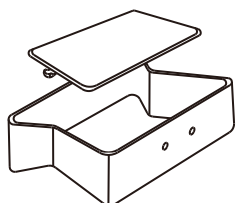
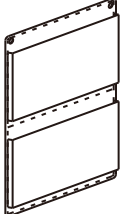
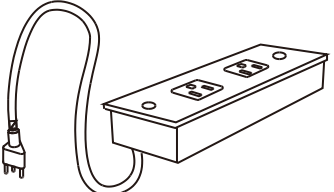
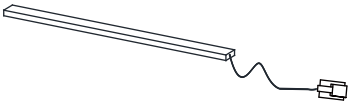
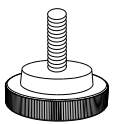
Warm Notice

Before the installation, please make sure all required parts and hardware are available according to the following parts list and hardware list. If there are missing parts or other problems, please feel free to contact us, we will help you to solve it as soon as possible.


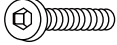
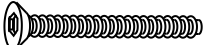






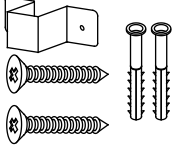
Exploded View: Part Numbers



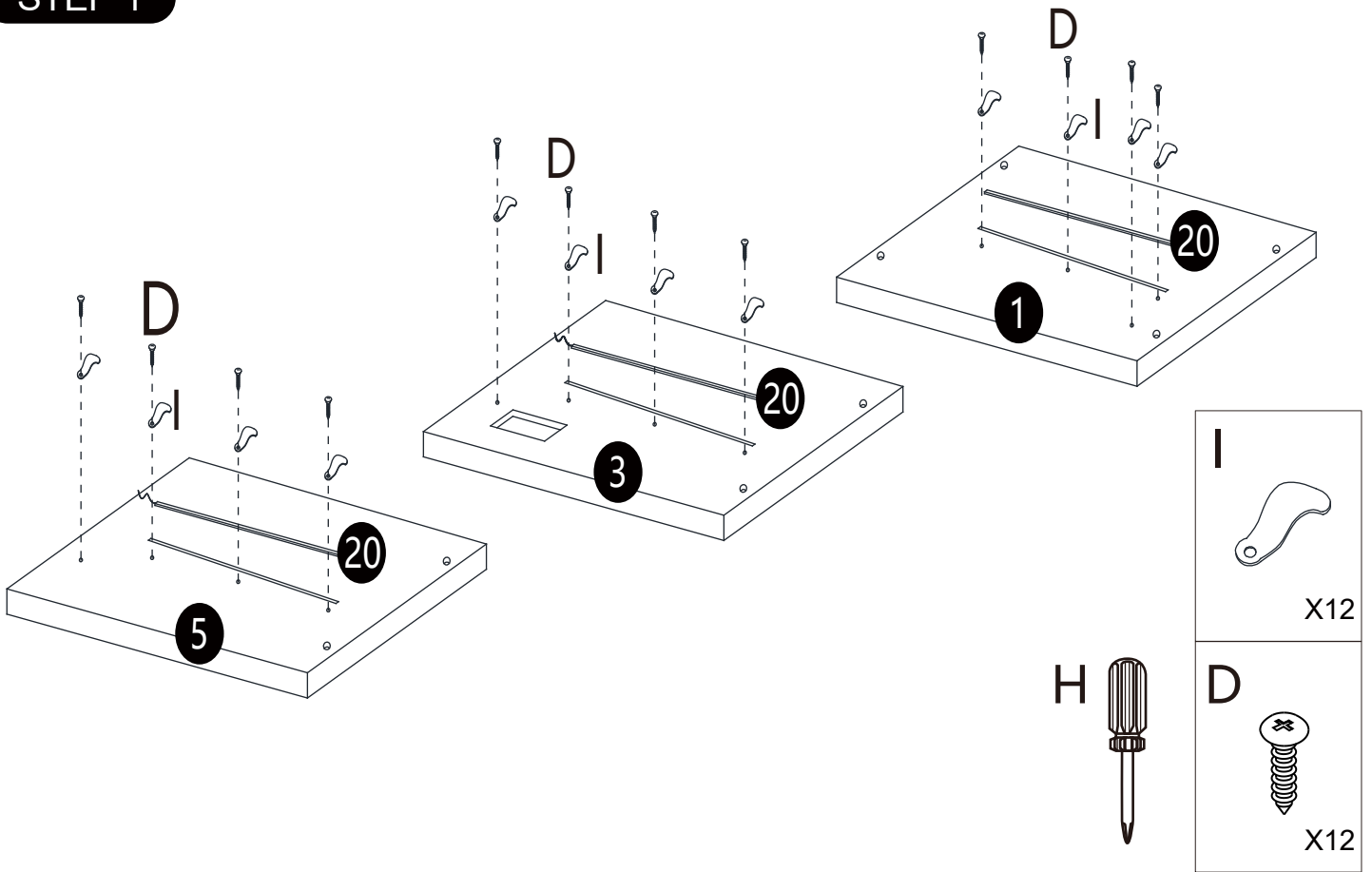
Parts List

<p>1</p>  <p>X1</p>	<p>2</p>  <p>X1</p>	<p>3</p>  <p>X1</p>
<p>4</p>  <p>X1</p>	<p>5</p>  <p>X1</p>	<p>6</p>  <p>X1</p>
<p>7</p>  <p>X1</p>	<p>8</p>  <p>X1</p>	<p>9</p>  <p>X1</p>
<p>10</p>  <p>X1</p>	<p>11</p>  <p>X1</p>	<p>12</p>  <p>X1</p>
<p>13</p>  <p>X1</p>	<p>14</p>  <p>X1</p>	<p>15</p>  <p>X2</p>
<p>16</p>  <p>X1</p>	<p>17</p>  <p>X9</p>	<p>18</p>  <p>X1</p>
<p>19</p>  <p>X1</p>	<p>20</p>  <p>X3</p>	<p>21</p>  <p>X5</p>

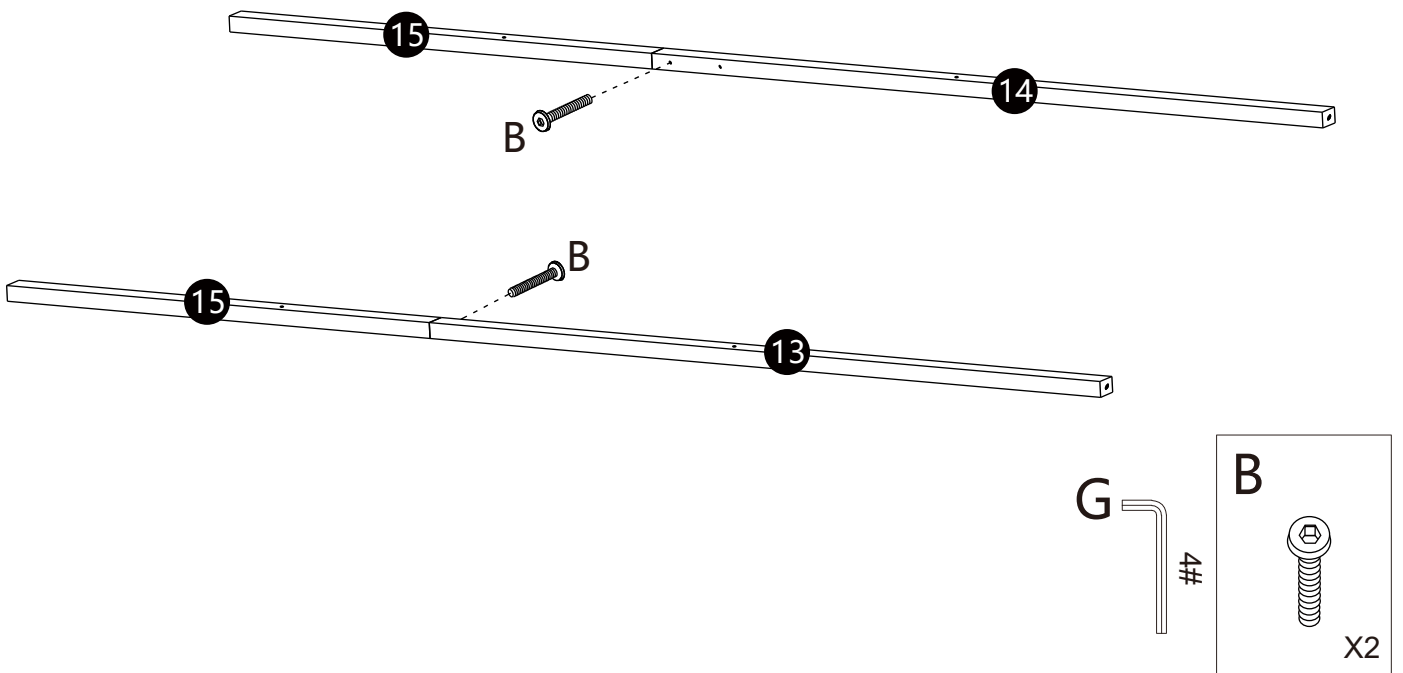
Hardware List

<p>A</p>  <p>M6X22MM</p> <p>X17</p>	<p>B</p>  <p>M6X10MM</p> <p>X10</p>	<p>C</p>  <p>M6X30MM</p> <p>X16</p>	<p>D</p>  <p>M4X11MM</p> <p>X14</p>
<p>E</p>  <p>M4X8MM</p> <p>X18</p>	<p>F</p>  <p>X9</p>	<p>G</p>  <p>#4</p> <p>X1</p>	<p>H</p>  <p>X1</p>
<p>I</p>  <p>X12</p>	<p>J</p>  <p>X1</p>		

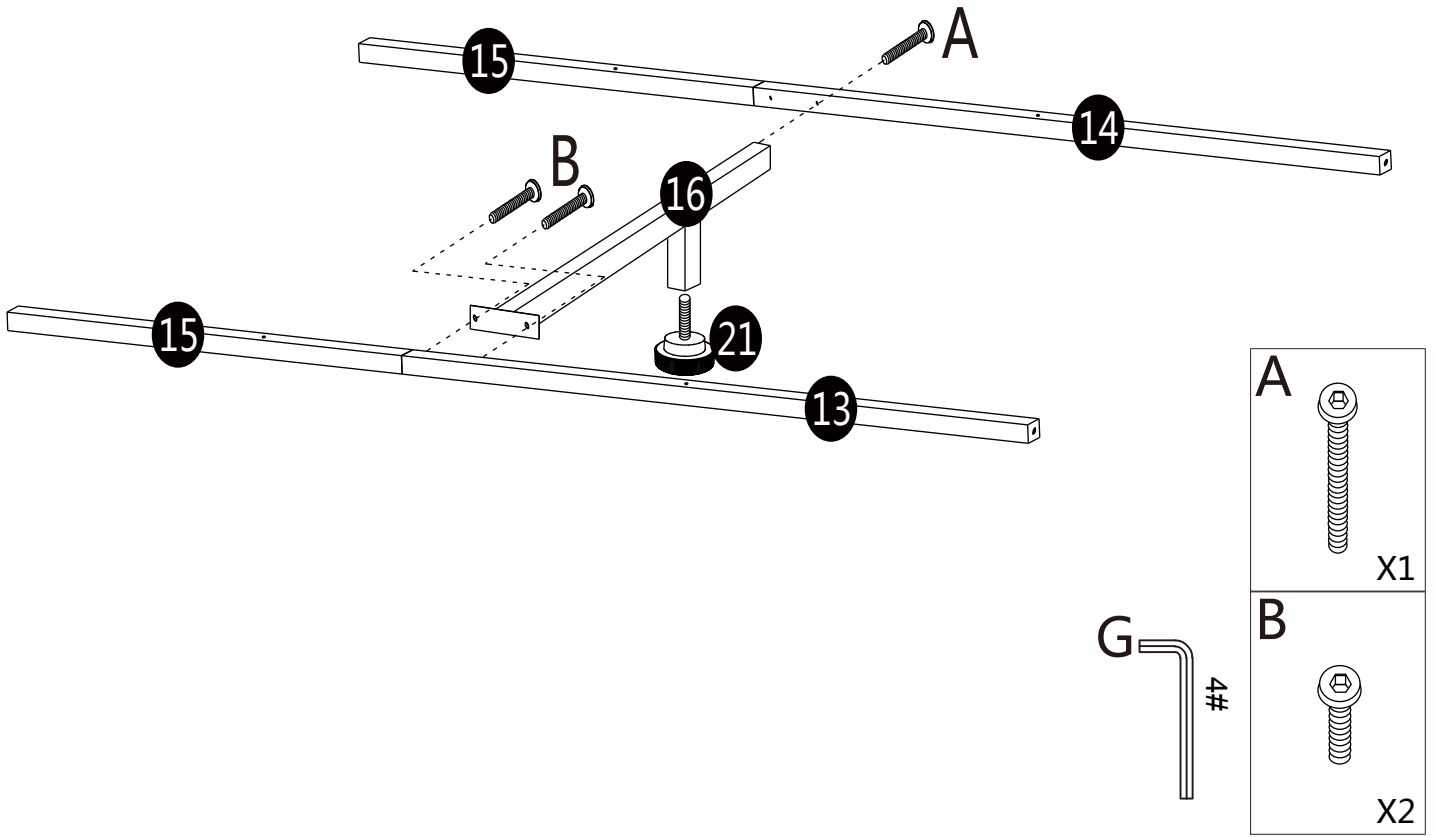
STEP 1



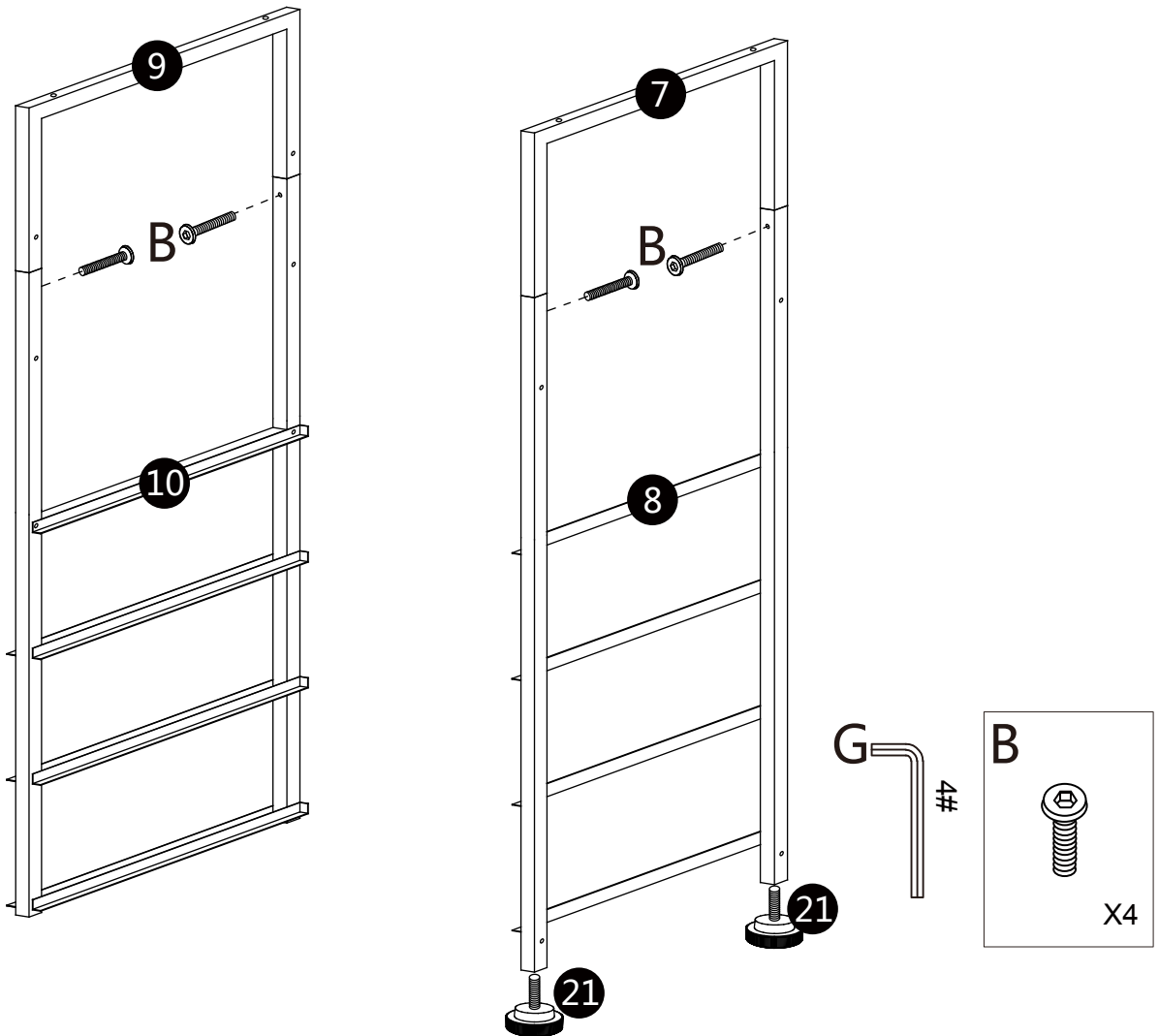
STEP 2



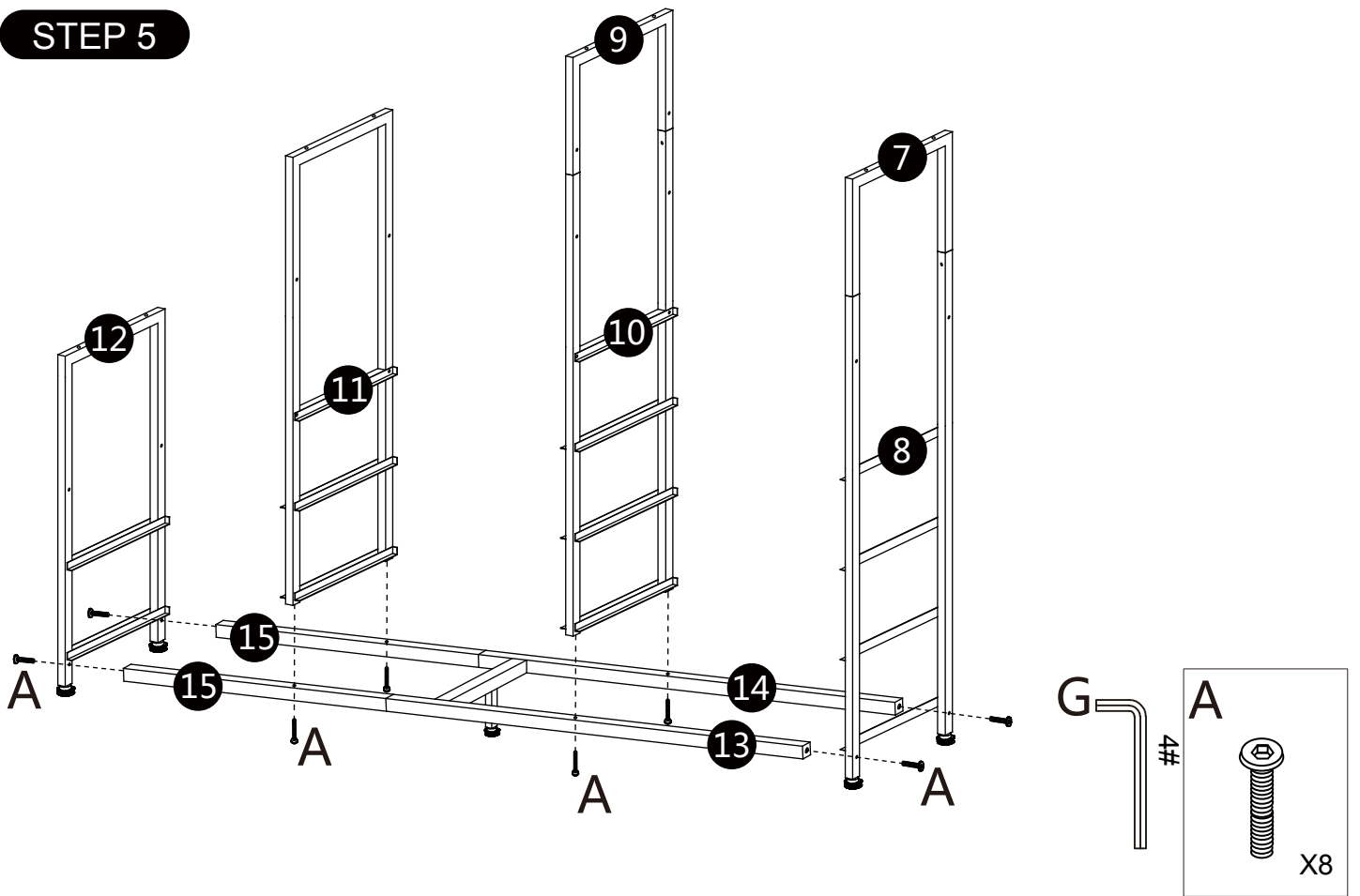
STEP 3



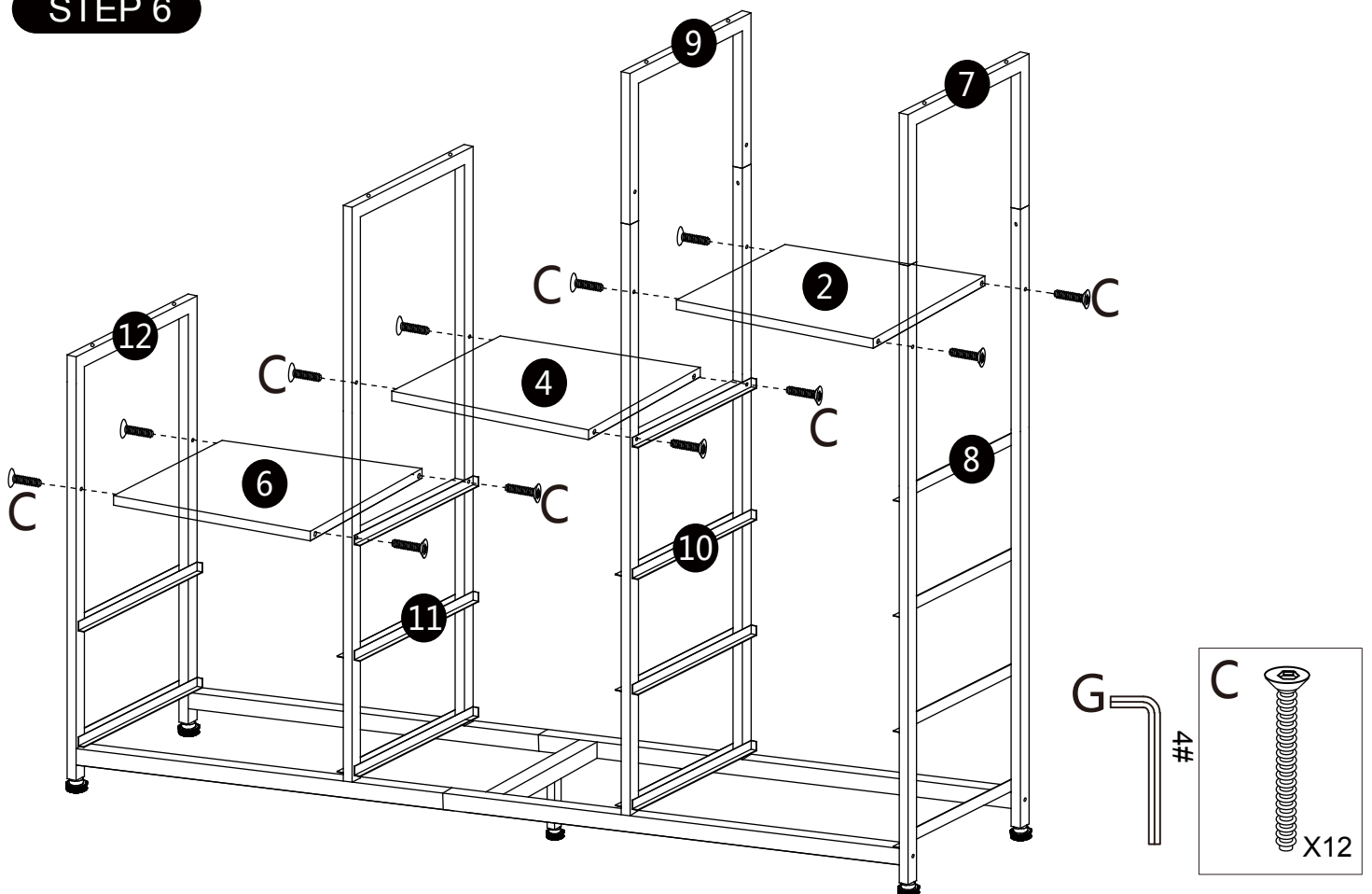
STEP 4



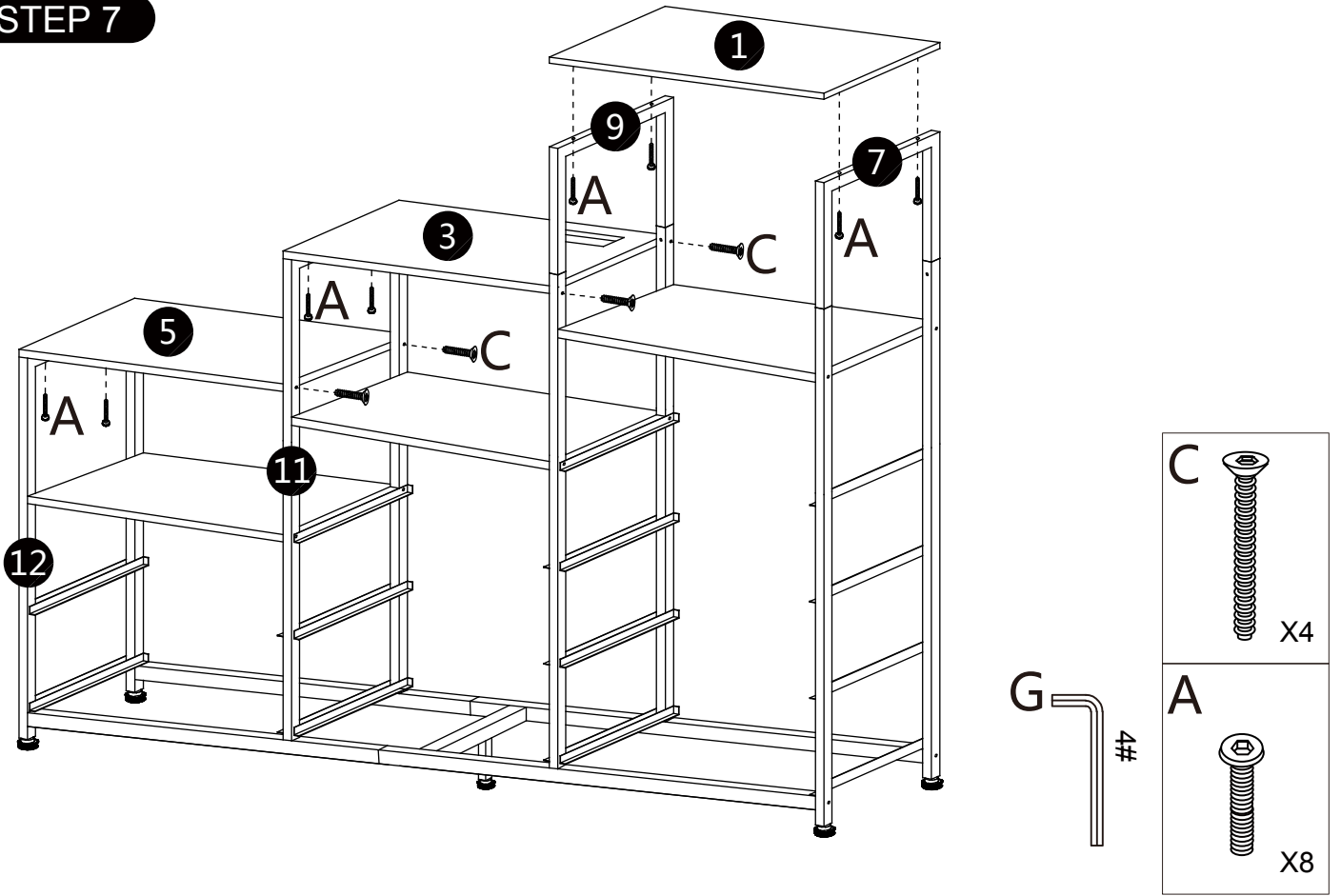
STEP 5



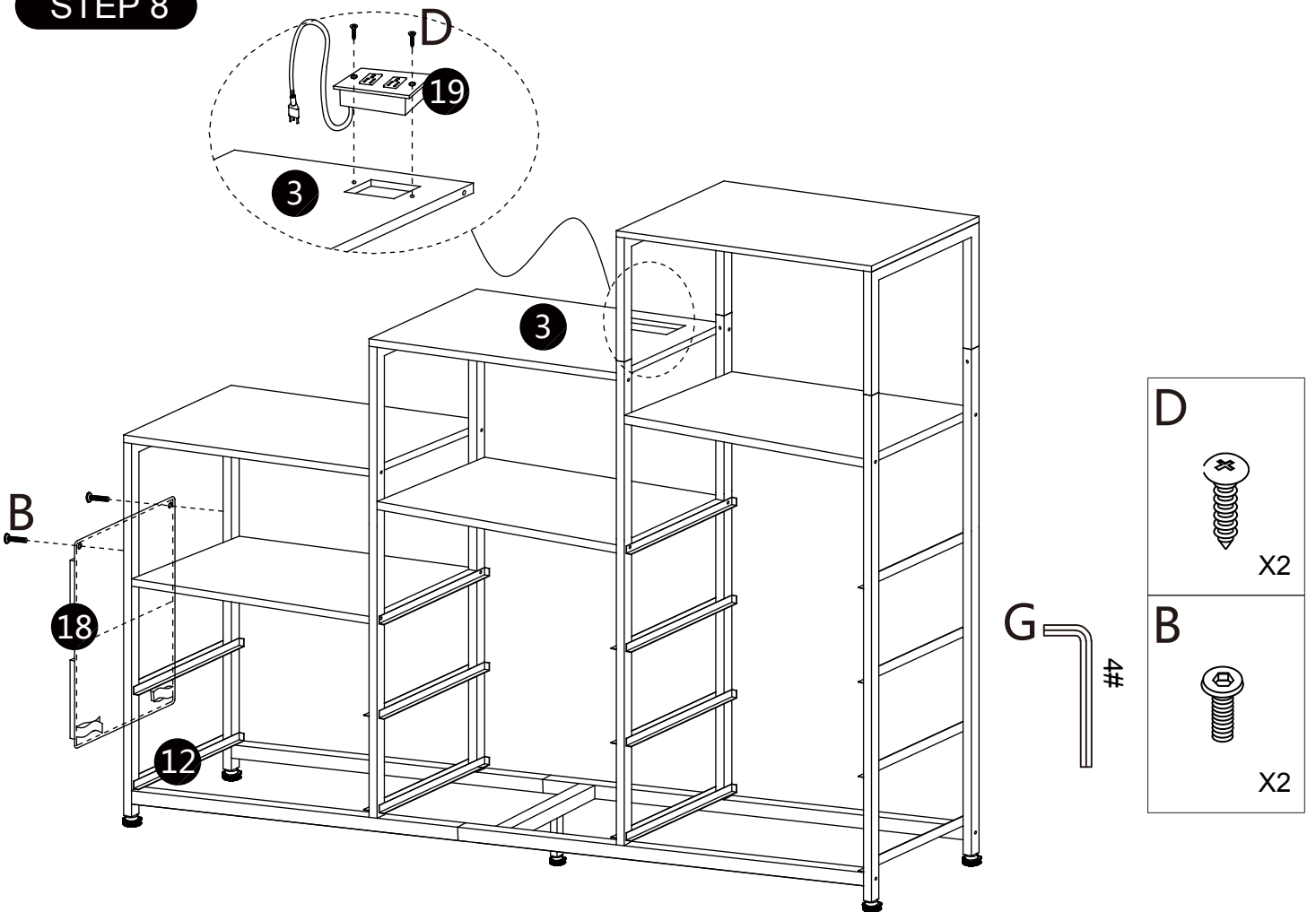
STEP 6



STEP 7

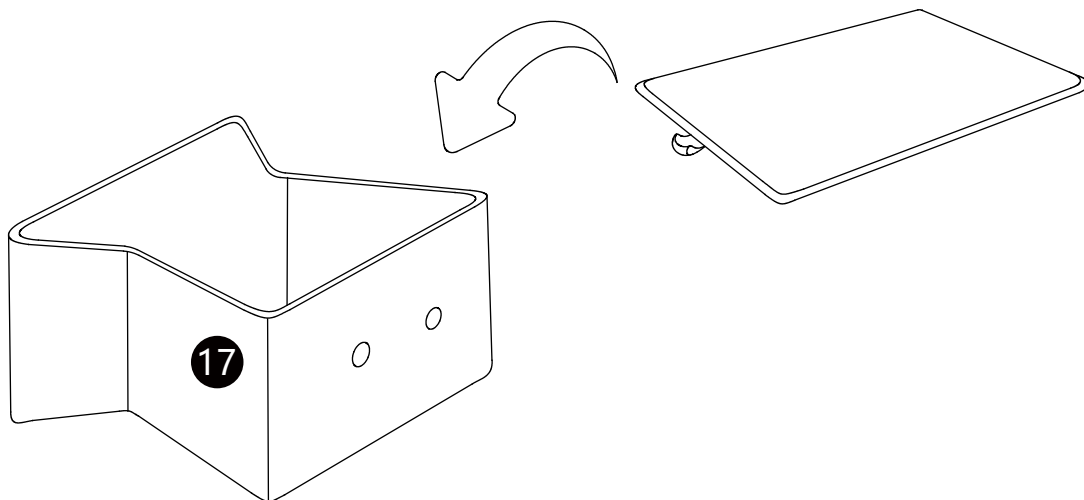


STEP 8



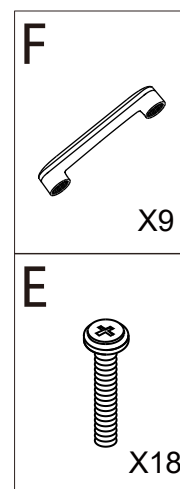
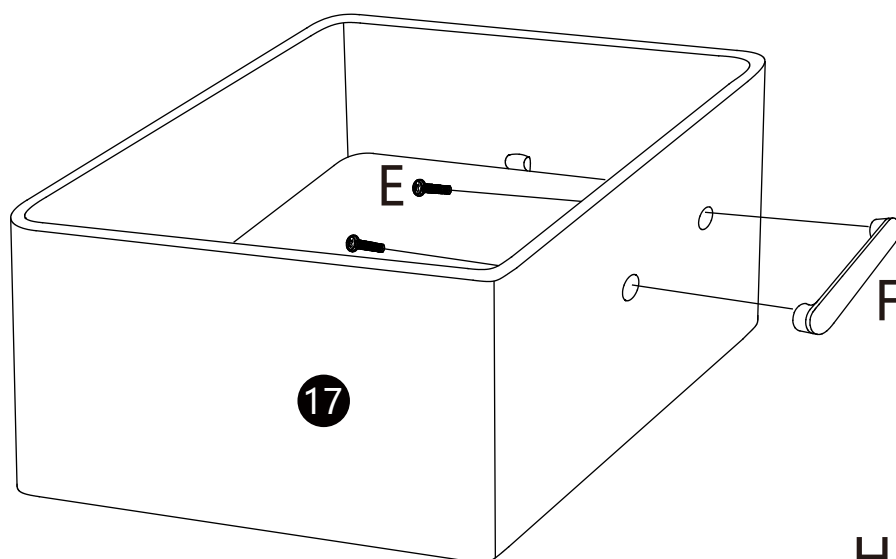
STEP 9

NOTE: After unfolding the drawer, insert the base plate with the handle facing the rear of the drawer.

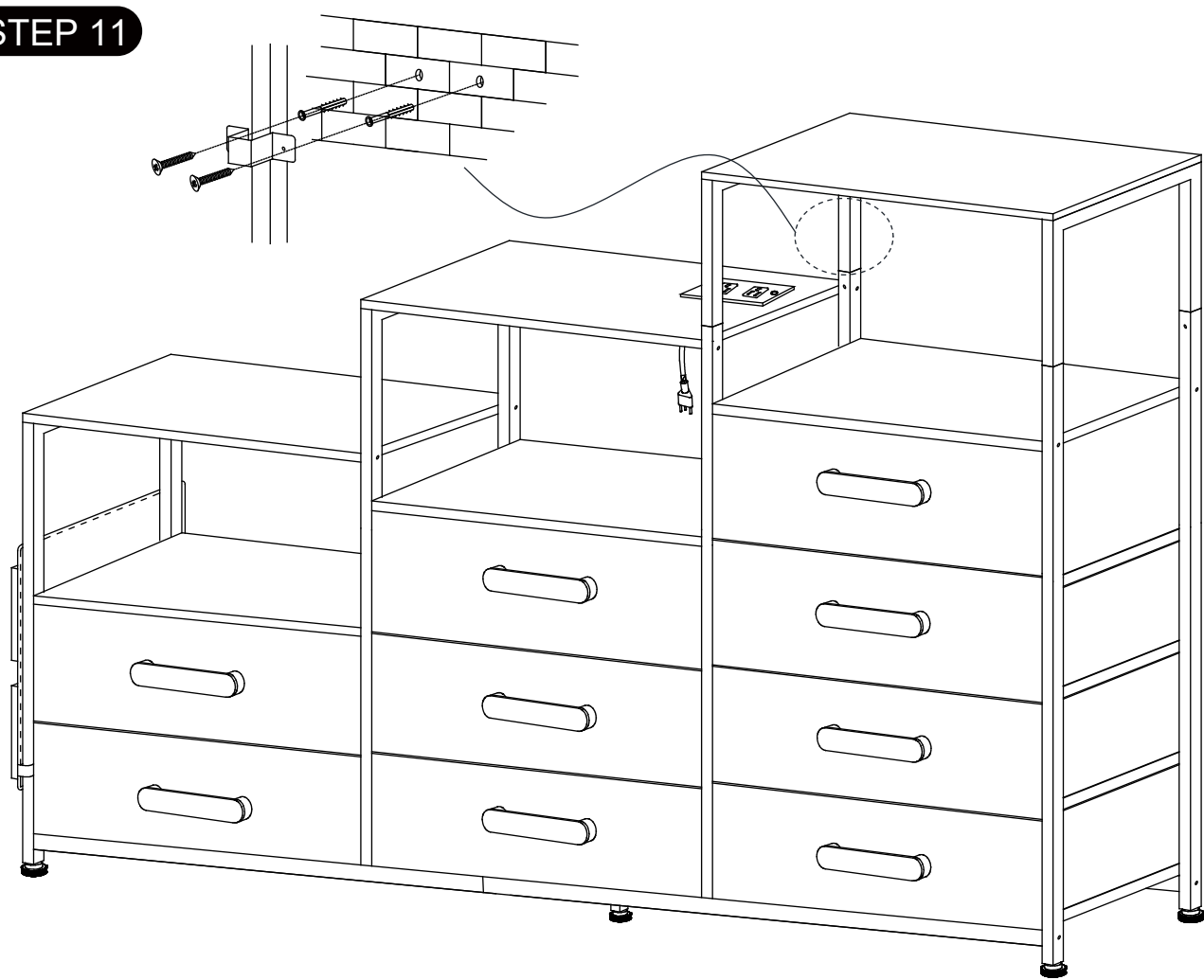


STEP 10

X9



STEP 11



General Guidelines

1. Please check the manual first and match your usage to the step-by-step guidance.
2. Please safeguard the manual and provide it to subsequent users if transferring the product.
3. This summary may not include every detail of variations and-considered steps. If you need help with unlisted scenarios please contact us for instant troubleshooting.

Warning

1. Keep all hardware components out of children's reach. Ingestion or inhalation poses a fatal choking hazard.
2. Dispose of plastic packaging materials immediately to prevent suffocation and other potential hazards.
3. Children must not climb or stand on the product to prevent tipping injuries.

Installation Tips

1. Maintain adequate assembly clearance and position the product on a flat or carpeted surface to prevent surface abrasion.
2. Verify all components and quantities prior to assembly. Contact technical support immediately if any parts are missing or defective.
3. Avoid over-tightening screws during assembly to prevent product damage. Perform sequential re-tightening of all fasteners post-installation.
4. Periodically inspect screw tightness during product operation. Re-tighten as necessary to maintain structural integrity.