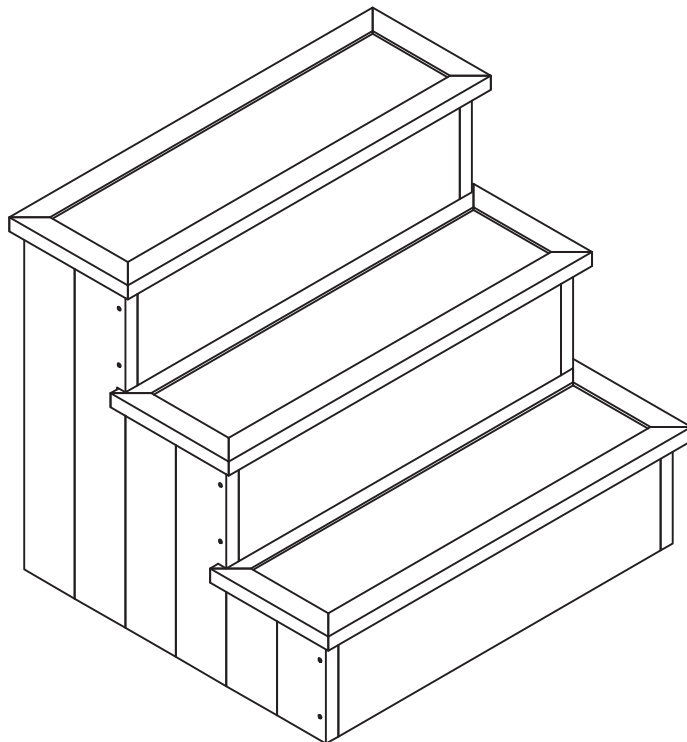


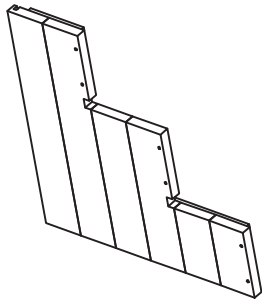
CARE INSTRUCTIONS

Thank you for choosing our PET STEP WITH STORAGE. With a little care and maintenance, this PET STEP WITH STORAGE will provide you with comfort and enjoyment for many years to come!

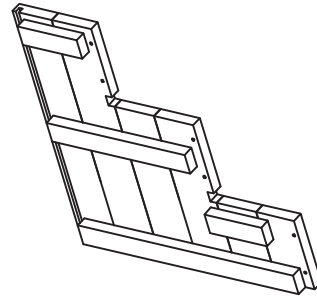
- To clean panels, use clean water on a damp cloth.
- When assembling this PET STEP WITH STORAGE, please handle all panels and/or hardware with care to avoid any possibilities of damages and/or injuries.
- Screw caps are optional for aesthetic purposes.



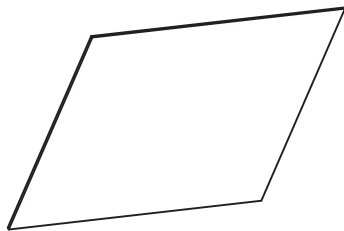
NOTE: Please read all instructions carefully before starting assembly. Also, we recommend that the unit is fully assembled on a level surface. Two people are recommended to assemble this product. **DO NOT** over torque screws and bolts.



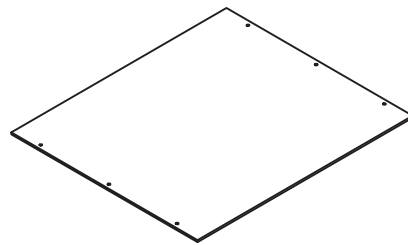
1 SIDE PANEL 1 X 1PC



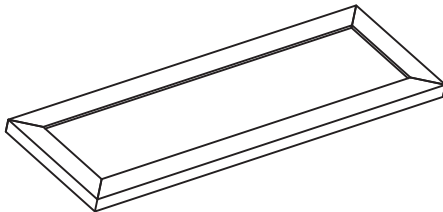
2 SIDE PANEL 2 X 1PC



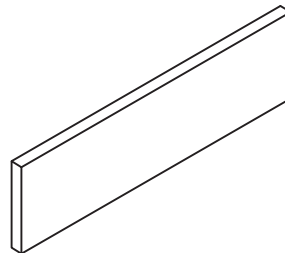
3 BACK PANEL X 1PC



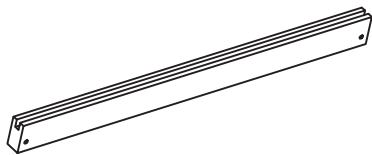
4 BOTTOM PANEL X 1PC



5 STEP X 3PCS

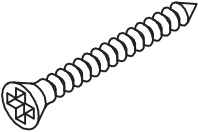


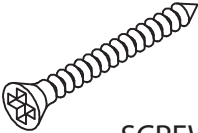
6 RISER X 3PCS



7 BACK, BOTTOM STRETCHER X 1PC

NOTE: Please read all instructions carefully before starting a
 Also, we recommend that the unit is fully assembled on a level
 Two people are recommended to assemble this product.
 DO NOT over torque screws and bolts.

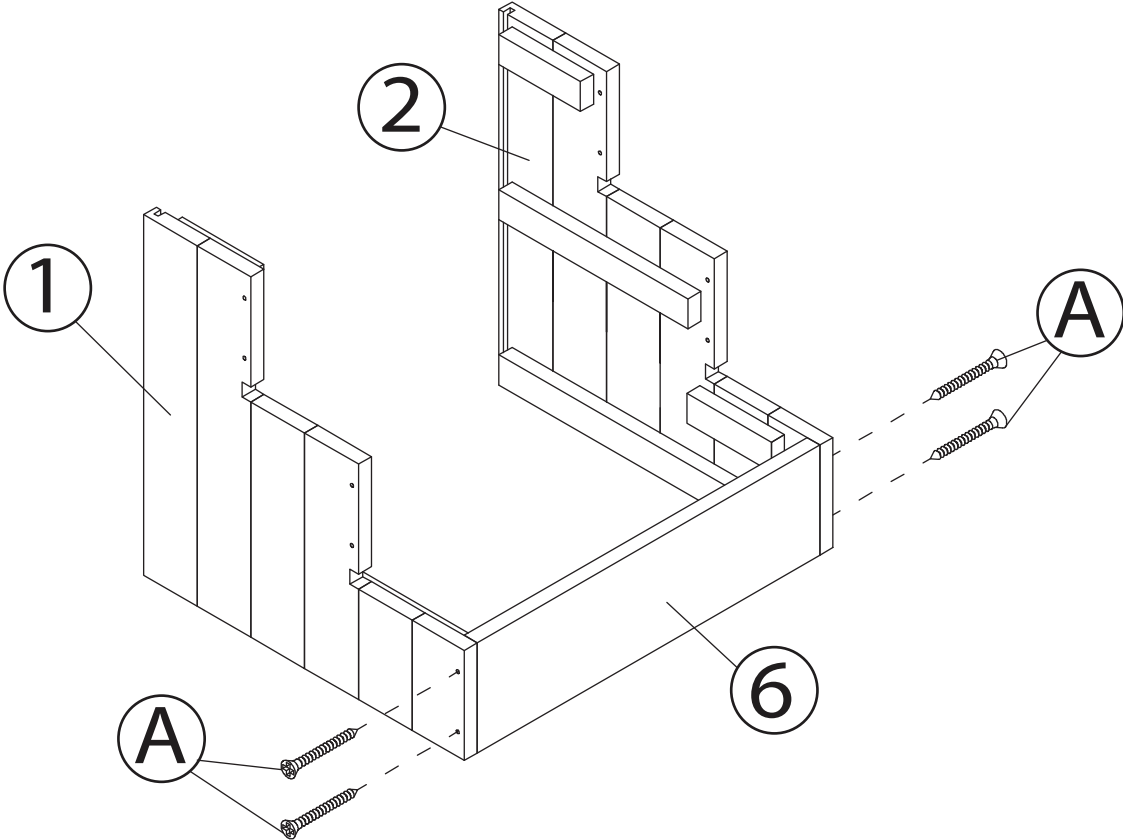
A  SCREW 3.5X35mm 14+2 PCS

B  SCREW 3X16mm 6 PCS

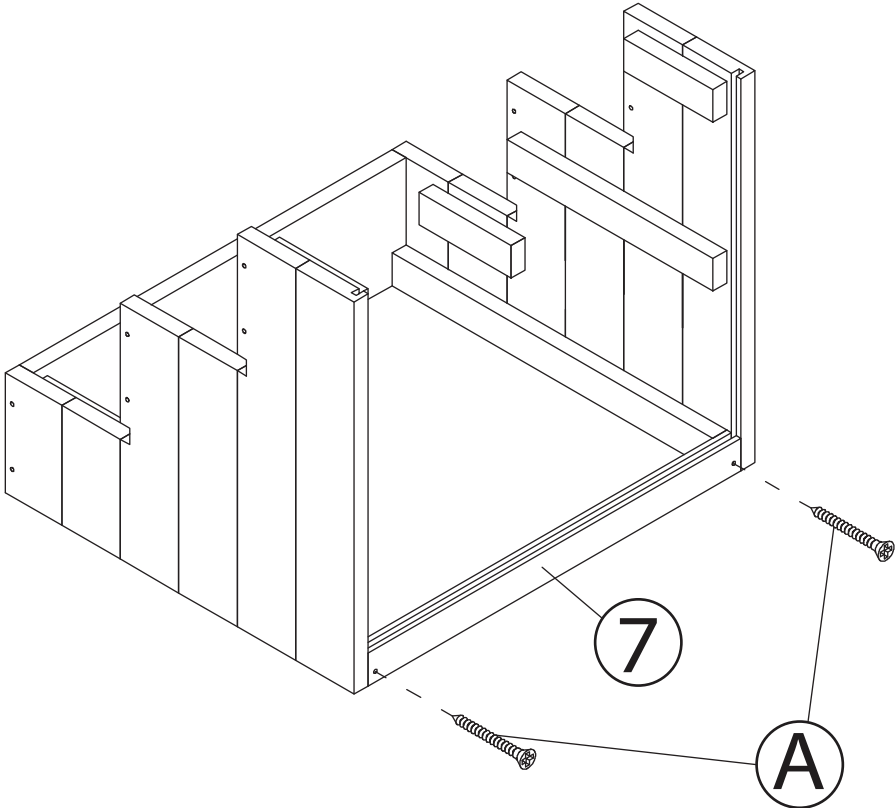
C  CAP (OPTIONAL FOR AESTHETIC PURPOSES) 12 PCS

NOTE: Please read all instructions carefully before starting assembly.
Also, we recommend that the unit is fully assembled on a level surface.
Two people are recommended to assemble this product.
DO NOT over torque screws and bolts.

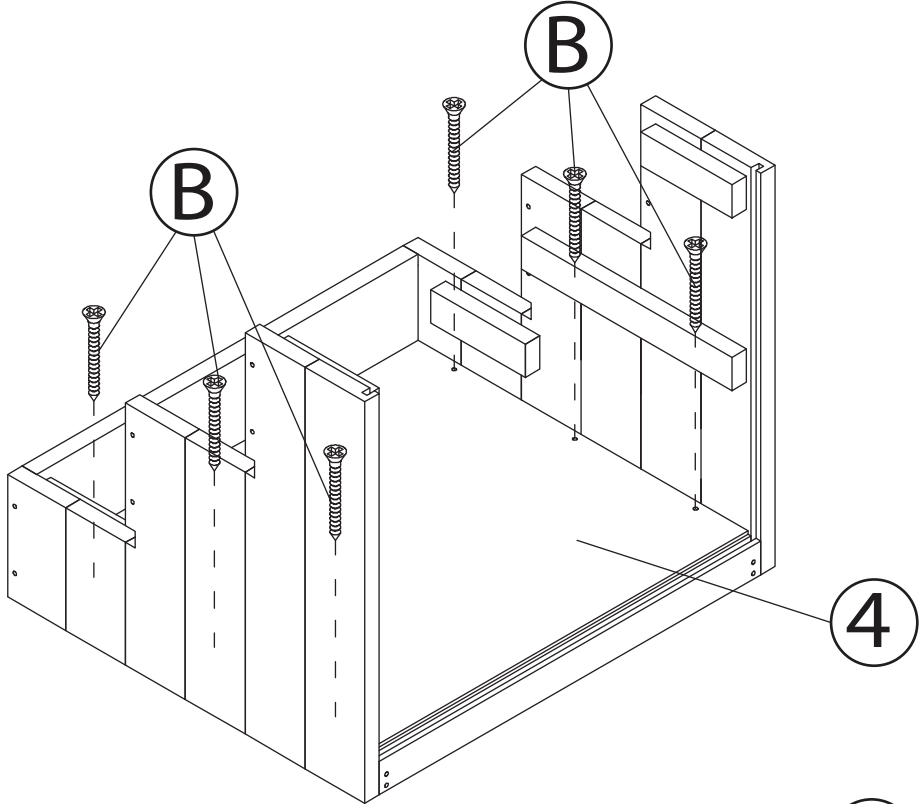
1



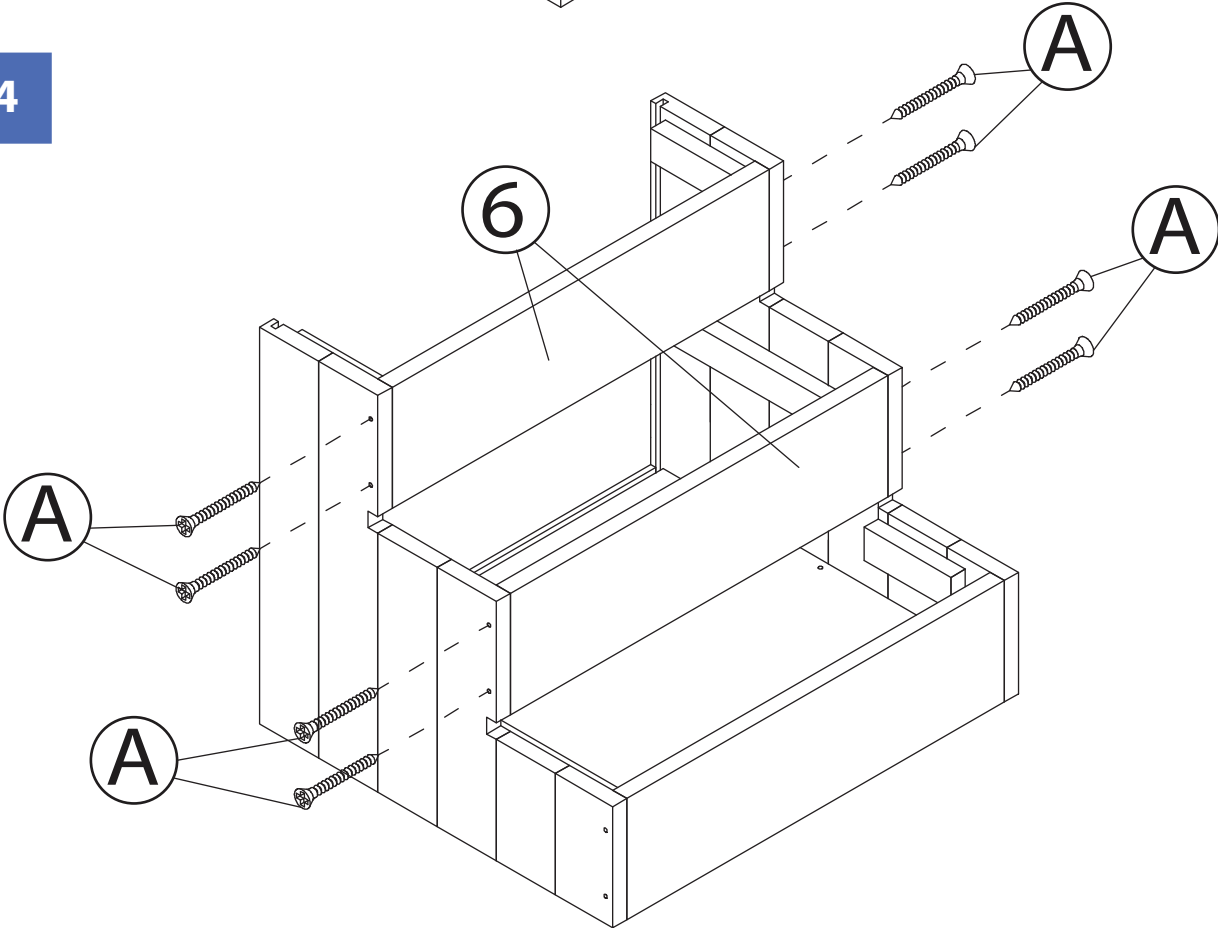
2



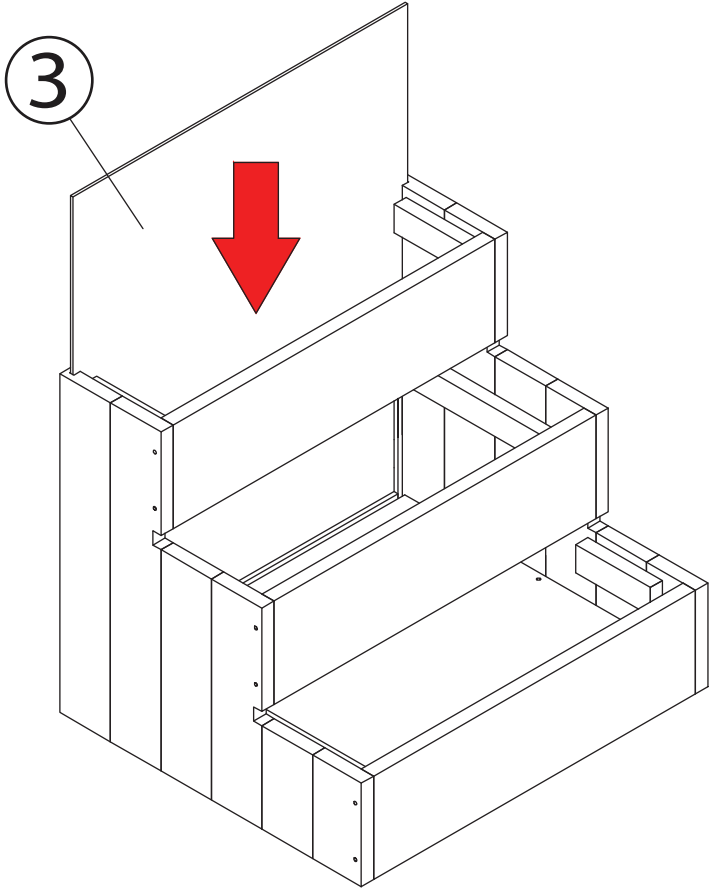
3



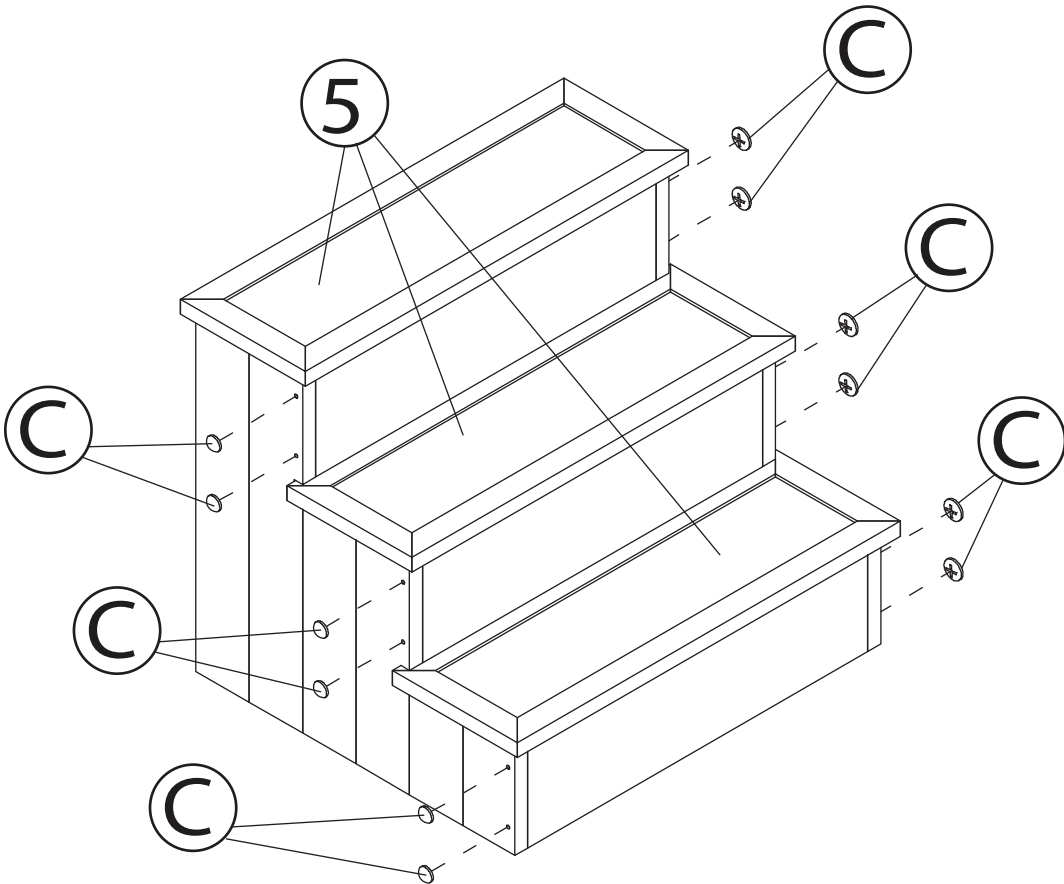
4



5



6



Please check contents before assembly. If any items are missing or damaged, do not take the unit back to the store.

Call customer service and we will save you time by correcting any problems directly for you.

NOTE: Please read all instructions carefully before starting assembly. Also, we recommend that the unit is fully assembled on a level surface. Two people are recommended to assemble this product. DO NOT over torque screws and bolts.